

LED Corridor Spot Light

HTE9881A



Product Image



NOTES:

1. This specification is for our regular product specifications.
2. The right of final interpretation of this specification is reserved by International Building Supply Corporation.

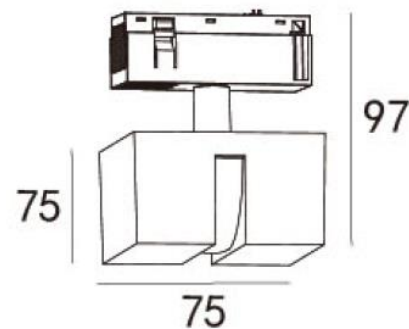
1. Description

- ◆ LED Corridor Spot Lights
- ◆ Application: perfect for interior settings in commercial and residential usage (e.g., office, retail store, restaurant, home, schools, etc.)

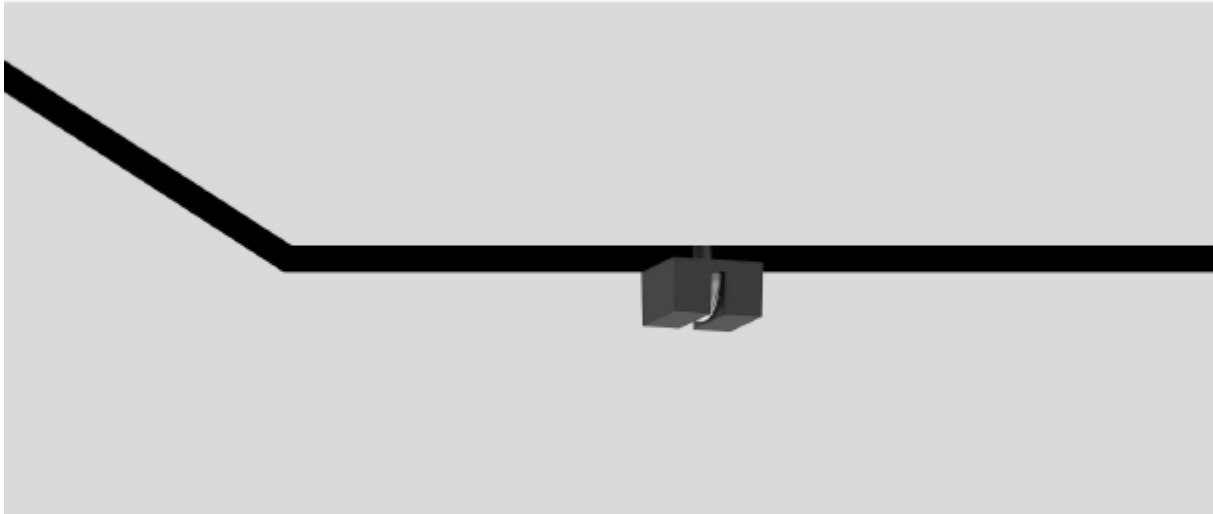
2. Characteristics

- ◆ Multiple certification: ETL/CE/ROHS
- ◆ Waterproof rating of IP20
- ◆ Smart light control with Bluetooth device
- ◆ 48V electrical system
- ◆ Dimming is available (0-10V)
- ◆ Clean and minimalist design with Aluminum
- ◆ Multiple color options to suit the environment for the best result
- ◆ High power factor: > 0.95
- ◆ Environmental-friendly & Energy-saving
- ◆ 5-years warranty

Dimensions



3. Application



4. Technical Parameters

Code	HTE9881A
Power(W)	3W
Input Current	DC48V
Lumen Output	292-312lm
CCT(K)	2700K/3000K/4000K/5000K
Dimming	0-10V
Bluetooth Control	✓
Lamp Holder Model	Ceramic PCB
Light Source Brand/Code	CREE XPE-2
Beam Angle	/
Wire Connection Method	Track Adaptor
Housing Color	FB03, PB02
Material	Aluminum
Waterproof Rating	IP20
Class	□I □II ■III
Certification	ETL/CE/ROHS
Warranty	5 Years

5. Photometric Data

HTE9881A

Color Temperature 3000K, 3W

Luminaire Property

Luminaire Category: LED TRACK LIGHT
 Luminaire Manufacturer: IBS
 Lamp Description: XPE-2
 Lumens per Lamp: 134
 Luminous Width (mm):
 Voltage: 48.0 V
 Power: 3.60 W

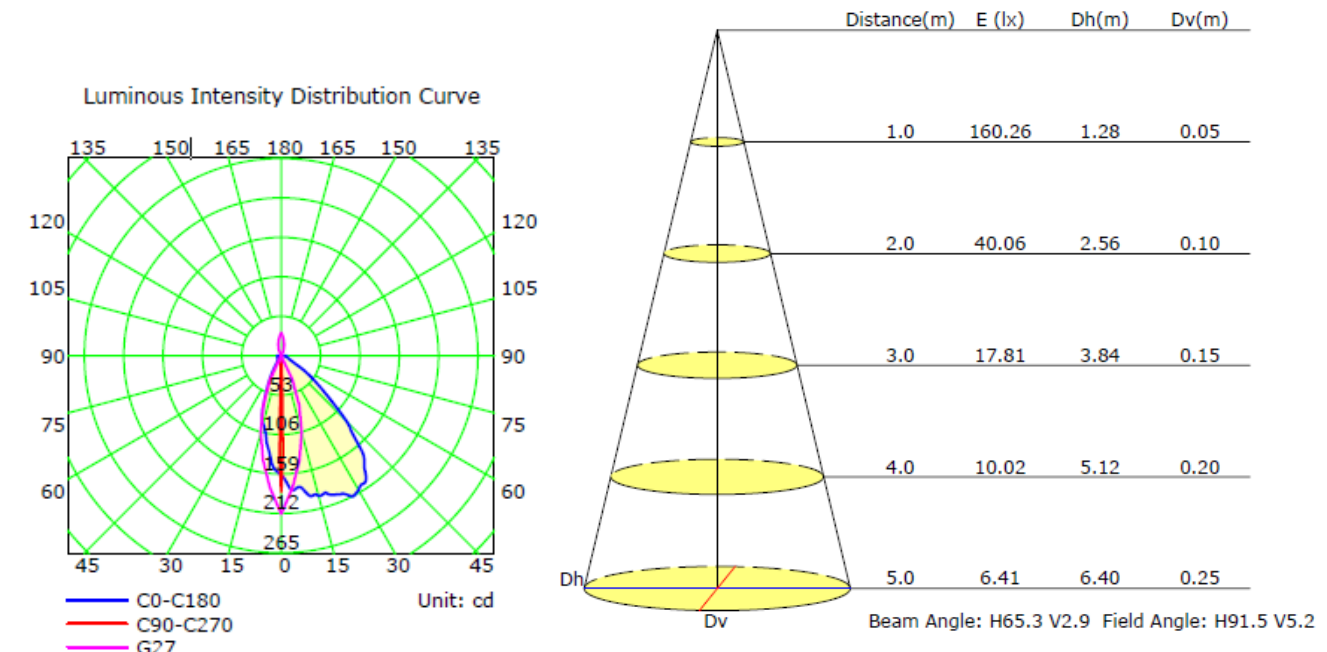
Luminaire Description: HTE-9881A
 Lamp Catalog: LED
 Number of Lamps: 1
 Luminous Length (mm):
 Luminous Height (mm):
 Current: 0.076 A
 Power Factor: 1.000

Photometric Results

CIE Class: Direct
 Measurement Flux: 47.9 lm
 Downward Ratio: 35.72%
 Luminaire Efficacy Rating (LER): 13
 Max. Intensity: 212.67 cd

Total Rated Lamp Lumens: 134.0 lm
 Efficiency: 35.72%
 Upward Ratio: 0.00%
 Central Intensity: 160.26 cd
 Pos of Max. Intensity: H0 V27

Illuminance at a Distance



Product Specification

6. Packaging

	HTE9881A
Product Size(mm)	Ø29*150
Box Size(mm)	95*85*110