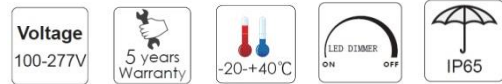


Specification

Triproof Light (C Series)



NOTES:

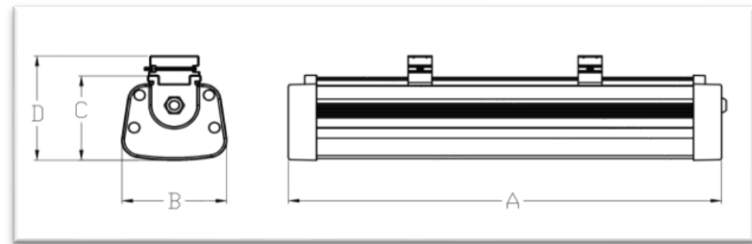
1. This specification is for our regular product specs.
2. The right of final interpretation of this specification to International Building Supply Corporation.

1. Descriptions

- ◆ LED Tri-proof light or LED Tight Vapor Light
- ◆ Waterproof, dustproof and rust- Proof, can be applied in tough industrial environment that is dusted, damp or rainy
- ◆ Perfect to apply in: supermarkets, warehouses, parking

| Part number | Size | A | B | C |
|-------------|--------------------|--------|-------|-------|
| LD-2VT24-MS | 3.27"*3.78"*26.62" | 26.62" | 3.78" | 3.27" |
| LD-4VT30-MS | 3.27"*3.78"*47.24" | 47.24" | 3.78" | 3.27" |
| LD-4VT40-MS | 3.27"*3.78"*47.24" | 47.24" | 3.78" | 3.27" |
| LD-4VT50-MS | 3.27"*3.78"*47.24" | 47.24" | 3.78" | 3.27" |
| LD-4VT60-MS | 3.27"*3.78"*47.24" | 47.24" | 3.78" | 3.27" |

- ◆ Max connection 600W @ 120V, 1620W @ 277V;
- ◆ Optional translucent end cap;
- ◆ Optional function of dimming , motion sensing and emergency backup;

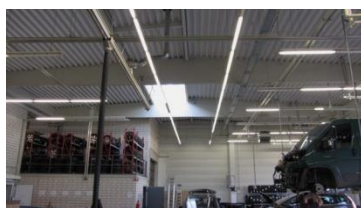


lots, bus stops, power plants, steel plants, petroleum plants, ship yards, subways, etc

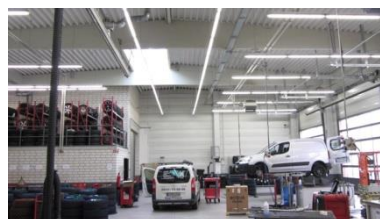
2. Characteristics

- ◆ Easy installation, Save time and cost;
- ◆ High driver efficiency 88%, PF>0.9, Efficacy up to 130lm/W;

3. Applications



Ware house



Work shop

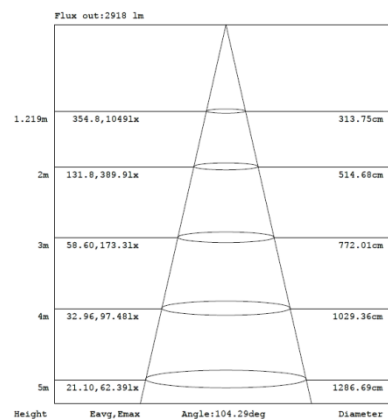
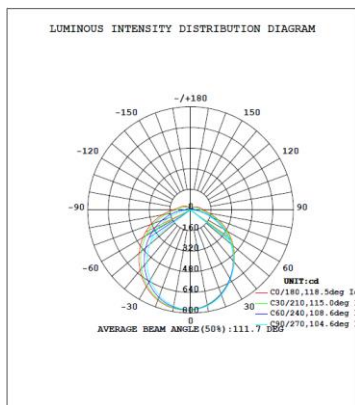
4. Technical Parameters

| Code | LD-2VT24-MS | LD-4VT30-MS | LD-4VT40-MS | LD-4VT50-MS | LD-4VT60-MS |
|--------------------------|------------------------------------|-------------|-------------------------------------|-------------|-------------|
| Power (W) | 24 | 30 | 40 | 50 | 60 |
| PF | 0.95@120V; | | | | |
| Input Voltage (V) | 100-277VAC 50/60HZ | | | | |
| Efficacy (lm/W) | 130 | | | | |
| Maintenance | 3120 | 3900 | 5200 | 6500 | 7800 |
| CCT (K) | 4000K/5000K | | | | |
| Dimming | 0-10V/Motion sensor | | | | |
| CRI | >80 | | | | |
| Beam angle | 120° | | | | |
| Material | Aluminum+ PC | | | | |
| Operating Temperature | -20°C to 40°C/-40°F to 104°F | | | | |
| Humidity | 10% - 90%, | | | | |
| Installation | Suspended/Surface mounted | | | | |
| Connection | Available | | | | |
| Certification | ETL Ready, DLC Premium in March | | | | |
| Environment | Indoor Wet Location | | | | |
| Warranty | 5 Years | | | | |
| Product size (mm/inches) | 83*96*600mm/ 3.27"*3.78"*26.62" | | 83*96*1200mm/ 3.27"*3.78"*47.24" | | |

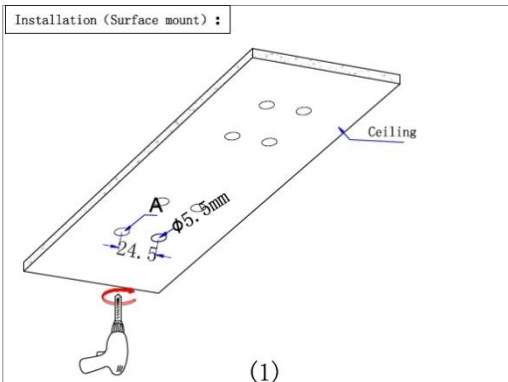
Notes:

- "Series" have different meanings including product CCT/PC lens type/ with motion sensor/ emergency backup/ cable input method /led brands and etc.

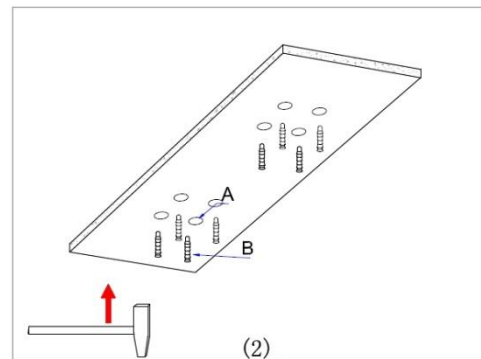
5. Photometric Data



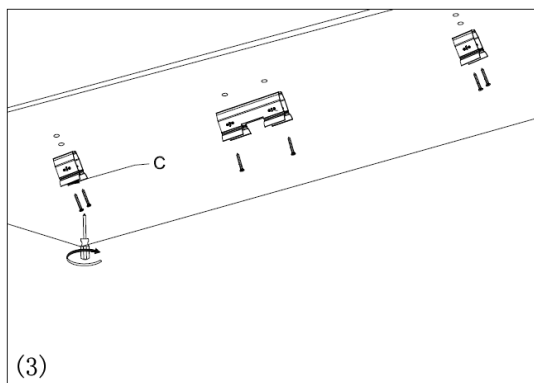
6. Installations:



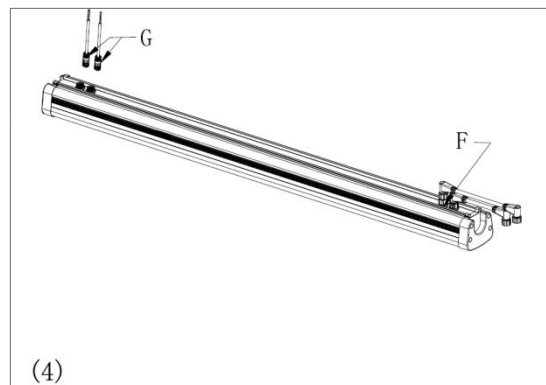
1. Preparation for installation: As show on the picture (1), Use tool to drill two hole with diameter of 5.5mm on the ceiling, hole distance 24.5mm, drill extra two holes with the same method.



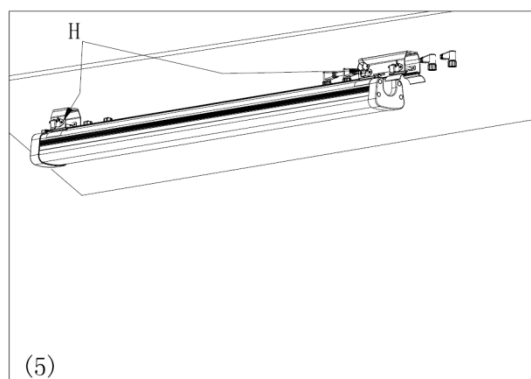
2. Preparation for installation:
As show on the picture (2), fix the screws (B) into the hole(A)
On the ceiling.



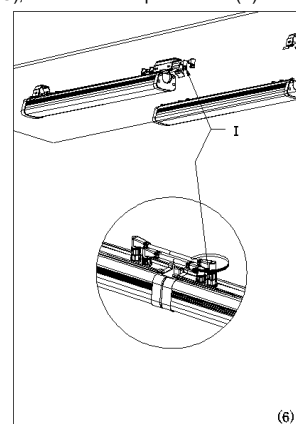
3. Fix the mounting clips:
As show on the picture (3), use the M4*30 crew(C) fix the mounting clips (D) on the ceiling.



4. Fixing the cables:
As show on the picture (4), twist the dimming and input cable (G), twist the water-proof cable (F)



5. Fix the lamp:
As show on the picture (5), fix the lamp into the bracket (H)



6. As show on the picture (6), Twist the connectors (I), and then fix the lamp.

7. Accessories

| Photo | Description | Quantity |
|--|---|----------|
|  | 1pc 4ft Power Cable, 2pcs Mounting Clips are Included as Standard Package | 1set |
|  | Aluminum Alloy Connecting Bracket: Seamless Connection Holding Bracket. | 1pc |
|  | Aluminum Alloy Mounting Bracket: Accessories for Surface Mount & Suspend Installation. | 1pc |
|  | Connecting cable for AC power, 1' long for seamless connection; Other length can be customized. | 1pc |
|  | Connecting cable for Dimming function, 18" long for seamless connection; Other lengths can be customized. | 1pc |
|  | 5ft Pendant Wire for Suspended Installation With 2pcs | 1set |

8. Package Information

| Code | Power(w) | Net Weight (KG) | Package Dimension (External: mm/inches) | Qty/Carton |
|-------------|----------|-----------------|--|------------|
| LD-2VT24-MS | 24 | 1.2kg | 712*427*267(mm)/ 28"*16.81"*10.51" | 6pcs/CTN |
| LD-4VT30-MS | 30 | 2.1kg | 1312*427*267(mm)/ 51.65"*16.81"*10.51" | |
| LD-4VT40-MS | 40 | | | |
| LD-4VT50-MS | 50 | | | |
| LD-4VT60-MS | 60 | | | |