

Electone® *STAGEA*™

ELS-01 / ELS-01C

SERVICE MANUAL

USB FLOPPY DISK DRIVE UD-FD01 (OPTION)



ELS-01



ELS-01C

■ CONTENTS

SPECIFICATIONS	3
PANEL LAYOUT	5
CIRCUIT BOARD LAYOUT	9
DISASSEMBLY PROCEDURE	11
LSI PIN DESCRIPTION	44
IC BLOCK DIAGRAM	56
CIRCUIT BOARDS	59
TEST PROGRAM	102
VERSION UPGRADE	112
TOUCH PANEL CALIBRATION	113
FLICKER ADJUSTMENT (LCD)	115
FACTORY SET (INITIALIZING THE ELECTONE)	116
INITIALIZING REGISTRATION MEMORY	116
INITIALIZING INTERNET SETTINGS	117
SYSTEM BOOTING FLOWCHART	118
MIDI IMPLEMENTATION CHART	119
PARTS LIST	
BLOCK DIAGRAM	
WIRING	
OVERALL CIRCUIT DIAGRAM	

IMPORTANT NOTICE

This manual has been provided for the use of authorized Yamaha Retailers and their service personnel. It has been assumed that basic service procedures inherent to the industry, and more specifically Yamaha Products, are already known and understood by the users, and have therefore not been restated.

WARNING : Failure to follow appropriate service and safety procedures when servicing this product may result in personal injury, destruction of expensive components and failure of the product to perform as specified. For these reasons, we advise all Yamaha product owners that all service required should be performed by an authorized Yamaha Retailer or the appointed service representative.

IMPORTANT : This presentation or sale of this manual to any individual or firm does not constitute authorization certification, recognition of any applicable technical capabilities, or establish a principal-agent relationship of any form.

The data provided is believed to be accurate and applicable to the unit(s) indicated on the cover. The research engineering, and service departments of Yamaha are continually striving to improve Yamaha products. Modifications are, therefore, inevitable and changes in specification are subject to change without notice or obligation to retrofit. Should any discrepancy appear to exist, please contact the distributor's Service Division.

WARNING : Static discharges can destroy expensive components. Discharge any static electricity your body may have accumulated by grounding yourself to the ground bus in the unit (heavy gauge black wires connect to this bus.)

IMPORTANT : Turn the unit OFF during disassembly and parts replacement. Recheck all work before you apply power to the unit.

WARNING: CHEMICAL CONTENT NOTICE!


The solder used in the production of this product contains LEAD. In addition, other electrical/electronic and/or plastic (Where applicable) components may also contain traces of chemicals found by the California Health and Welfare Agency (and possibly other entities) to cause cancer and/or birth defects or other reproductive harm.

DO NOT PLACE SOLDER, ELECTRICAL/ELECTRONIC OR PLASTIC COMPONENTS IN YOUR MOUTH FOR ANY REASON WHATSOEVER EVER!

Avoid prolonged, unprotected contact between solder and your skin! When soldering, do not inhale solder fumes or expose eyes to solder/flux vapor!

If you come in contact with solder or components located inside the enclosure of this product, wash your hands before handling food.

WARNING

Components having special characteristics are marked  and must be replaced with parts having specification equal to those originally installed.

SAVING DATA

Saving and backing up your data



Be sure to perform it

Always save data to a SmartMedia card, in order to help prevent the loss of important data due to a malfunction or user operating error.

Backing up the external media



Be sure to perform it

To protect against data loss through media damage, we recommend that you save your important data onto two external media.

SPECIFICATIONS

	Electone STAGEA ELS-01	Electone STAGEA ELS-01C
TONE GENERATION	AWM (4)	AWM (4) + VA + Organ Flutes
KEYBOARD	Upper: 49 keys (C – C), Lower: 49 keys (C – C), Pedal: 20 keys (C – G)	
Keyboard Type	Standard (FS)	Custom (FSV)
Initial Touch	Upper, Lower, Pedal	
After Touch	Upper, Lower	Upper, Lower, Pedal
Horizontal Touch	—	Upper, Lower
REGISTRATION	Registration Menu	240
	Registration Memory	M. (Memory), 1 – 16, D. (Disable)
	Registration Shift	Shift, Jump, User (80)
VOICE	Voice Sections	Upper 1, Upper 2, Lead 1, Lead 2, Lower 1, Lower 2, Pedal 1, Pedal 2
	Voice Buttons Upper/Lower	STRINGS, BRASS, WOODWIND, TUTTI, PAD, SYNTH, PIANO, ORGAN, PERCUSSION, GUITAR, CHOIR, WORLD, USER 1, USER 2
	Lead	VIOLIN, SYNTH, FLUTE, TRUMPET USER 1, TO LOWER (Lead 1), SOLO (Lead 2)
	Pedal	CONTRABASS, ELEC. BASS, TIMPANI, SYNTH BASS, USER 1, TO LOWER
	Preset Voice	415
	User Voice	AWM: 16
	Organ Flute Voice	—
	Rotary Speaker Control	2.69 – 39.7 Hz, Slow, Stop
EFFECT/CONDITION	Sustain	Upper (Knee), Lower (Knee), Pedal
	Reverb	Type: Hall 1 – 3, M, L, Room 1 – 4, S, M, L, Stage 1 – 2, Plate 1 – 2, White Room, Tunnel, Canyon, Basement, XG Hall 1 – 2, XG Room 1 – 3, XG Stage 1 – 2, XG Plate, GM Plate Depth: Upper 1 – 2, Lower 1 – 2, Lead 1 – 2, Pedal 1 – 2, Percussion, Accompaniment, Keyboard Percussion
	Effects	Reverb, Delay, ER/Karaoke, Chorus, Flanger, Phaser, Tremolo/Auto Pan, Rotary Speaker, Distortion, Distortion+, Wah, Dynamic, EQ/Enhancer, Pitch Change, Miscellaneous, Thru
RHYTHM	Rhythm Buttons	MARCH, WALTZ, SWING & JAZZ, POPS, R&B, LATIN, WORLD MUSIC, BALLAD, ROCK, DANCE, USER 1, USER 2
	Preset Rhythm Pattern	274
	Parts	Main Drum, Add Drum
	Sections	Intro 1 – 3, Ending 1 – 3, Main/Fill In A – D, Break, Auto Fill
ACCOMPANIMENT	Accompaniment Parts	Chord 1, Chord 2, Pad, Phrase1, Phrase 2
	Auto Bass Chord	OFF, Single Finger, Fingered Chord, Custom A.B.C. Memory: Lower, Pedal
	Melody On Chord	OFF, 1, 2, 3, Knee

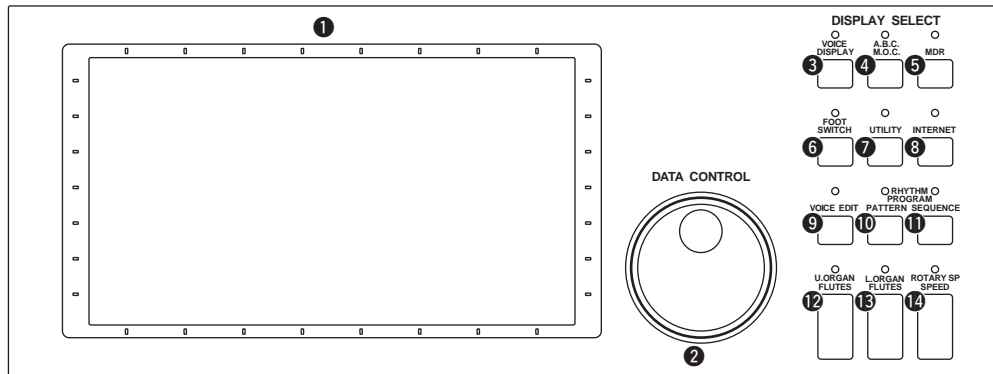
		Electone STAGEA ELS-01	Electone STAGEA ELS-01C	
PROGRAMS	Voice Edit	✓		
	Rhythm Pattern Program	✓		
	Rhythm Sequence Program	SEQ. 1 – 4 (Rhythm and Registration program)		
	Keyboard Percussion	Preset 1 – 2, User 1 – 8		
CONTROLS	Footswitch	Left	Rhythm: Stop, Break, Main A-D, Intro 1 – 3, Ending 1 – 3 Glide: Upper 1, 2, Lower 1, 2, Lead 1, 2, Glide Time Rotary Speaker Speed	
		Right	Registration Shift	
	Expression Pedal	✓		
	2nd Expression Pedal	Pitch Bend, Tempo (set only, not controlled)	Pitch Bend, Tempo	
	Knee Lever	Sustain (Upper/Lower), M.O.C., Lead Slide, Solo (Lead 2)		
	Transpose	-6 – +6		
	Pitch	A = 427.2 – 452.6 Hz		
	MIDI Control	✓		
	Main Controls	POWER on/off, MASTER VOLUME		
	M.D.R.	Song Select: Stop, Play, Custom Play, Rec, Pause, Fast Forward, Rewind, Folder Select, Registration Edit, Tempo (50 – 200%) Tools: Repeat Setting, Change Song Name, Remaining Memory, Format, Song Copy, XG Song Copy, Song Delete, XG Song Delete, Convert ELS->EL, Convert EL->ELS, Convert To XG		
	Utility	Language (English/Japanese), Touch Panel Sound, LCD Brightness, Mic. (Reverb/Volume), Initialize		
	Display Select	VOICE DISPLAY, A.B.C./M.O.C., MDR, FOOTSWITCH, UTILITY, INTERNET, VOICE EDIT, RHYTHM PATTERN PROGRAM, RHYTHM SEQUENCE PROGRAM, ROTARY SP SPEED	VOICE DISPLAY, A.B.C./M.O.C., MDR, FOOTSWITCH, UTILITY, INTERNET, VOICE EDIT, RHYTHM PATTERN PROGRAM, RHYTHM SEQUENCE PROGRAM, U. ORGAN FLUTES, L. ORGAN FLUTES, ROTARY SP SPEED	
OTHERS	LCD Display	800 x RGB x 480 dots		
	Sound System	Power Amplifiers	50W x 2	70W x 2
		Speakers	Cone: 13 cm x 2, 5 cm x 2 Monitor speaker: 6.6 cm x 2	Cone: 13 cm x 8 Dome: 2.5 cm x 4 Monitor speaker: 6.6 cm x 2
	Storage	SmartMedia card slot	SmartMedia card slot, Floppy disk slot	
	Output Impedance	PHONES: 33Ω AUX OUT (L/L+R, R): 600Ω AUX OUT (L/R) (LEVEL FIXED): 600Ω		
	Connectors	PHONES (2), AUX OUT: L/L+R (standard phone), L/R (Level Fixed, RCA), AUX IN: L/L+R (standard phone), MIDI IN/OUT, USB TO HOST, USB TO DEVICE, OPTICAL OUT, MIC./LINE IN (jack, switch, and volume control)	PHONES (2), AUX OUT: L/L+R (standard phone), L/R (Level Fixed, RCA), AUX IN: L/L+R (standard phone), MIDI IN/OUT, USB TO HOST, USB TO DEVICE (2), OPTICAL OUT, MIC./LINE IN (jack, switch, and volume control)	
	Power Consumption	90W	105W	
	Dimensions (W x D x H), Weight		1229 x 574 x 1017 (1276 with Music Rest) mm, 100.0 kg	1229 x 574 x 1017 (1276 with Music Rest) mm, 109.0 kg
		Bench	781 x 305 x 618 mm, 8.8 kg	915 x 365 x 618 mm, 12.1 kg
	Color	Silver Metallic		
	Supplied Accessories	Bench, Owner's Manual, Tutorial Guidebook, SmartMedia card		

• UD-FD01

Format	USB 2.0
Transmit Speed	12Mbps
Dimensions	103.5 (W) X 142 (D) X 17 (H) mm, USB Cable 700mm
Weight	285g (10 oz)
Power Supply Voltage	5V
Power Consumption	500mA (Maximum)
Compatible Instruments	Clavinova, Electone and Portatone with USB TO DEVICE terminal
Floppy disk compatibility	3.5 "2DD and 2HD type floppy disks can be used.
Included items	Owner's Manual, Screws (4mm x 10mm) x 4, Plastic case, Cord clamp

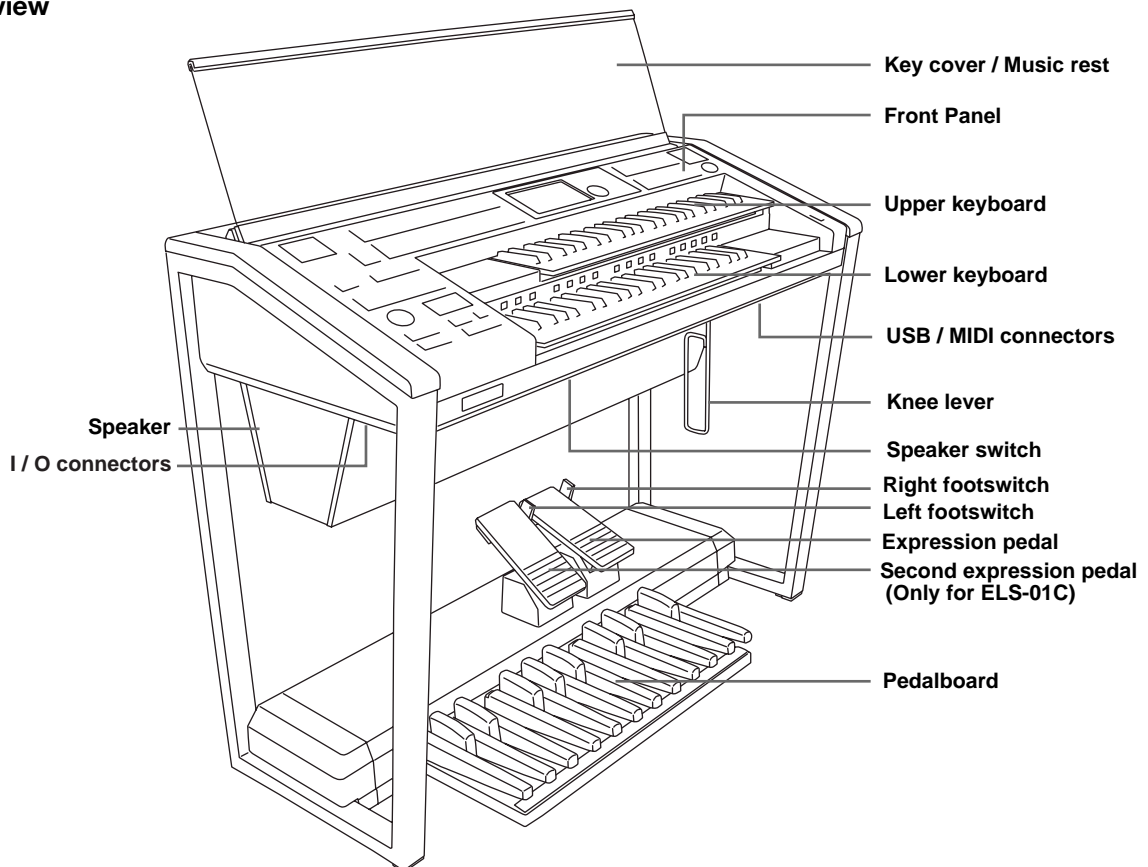
PANEL LAYOUT

• LCD Display / Display Select

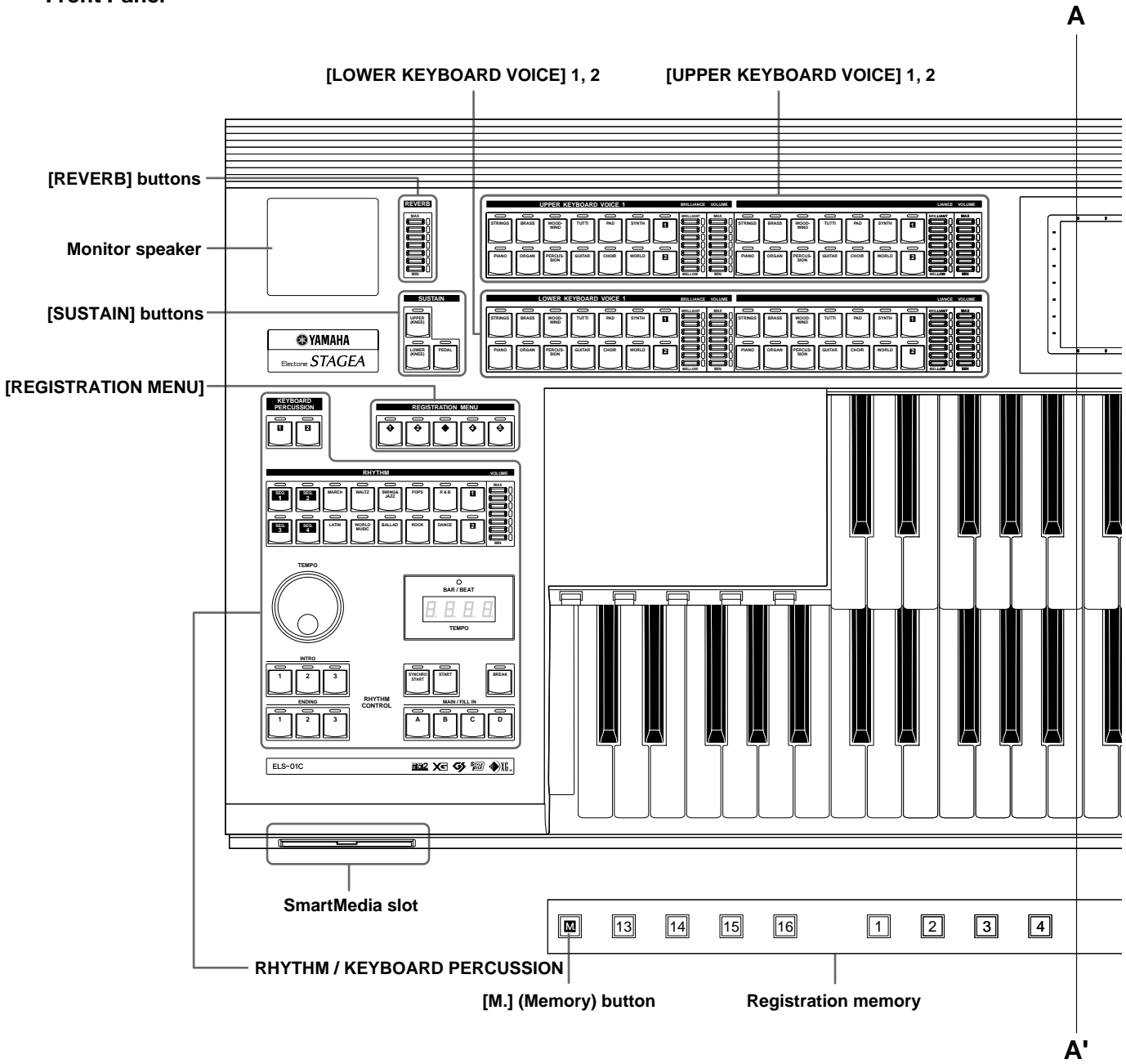


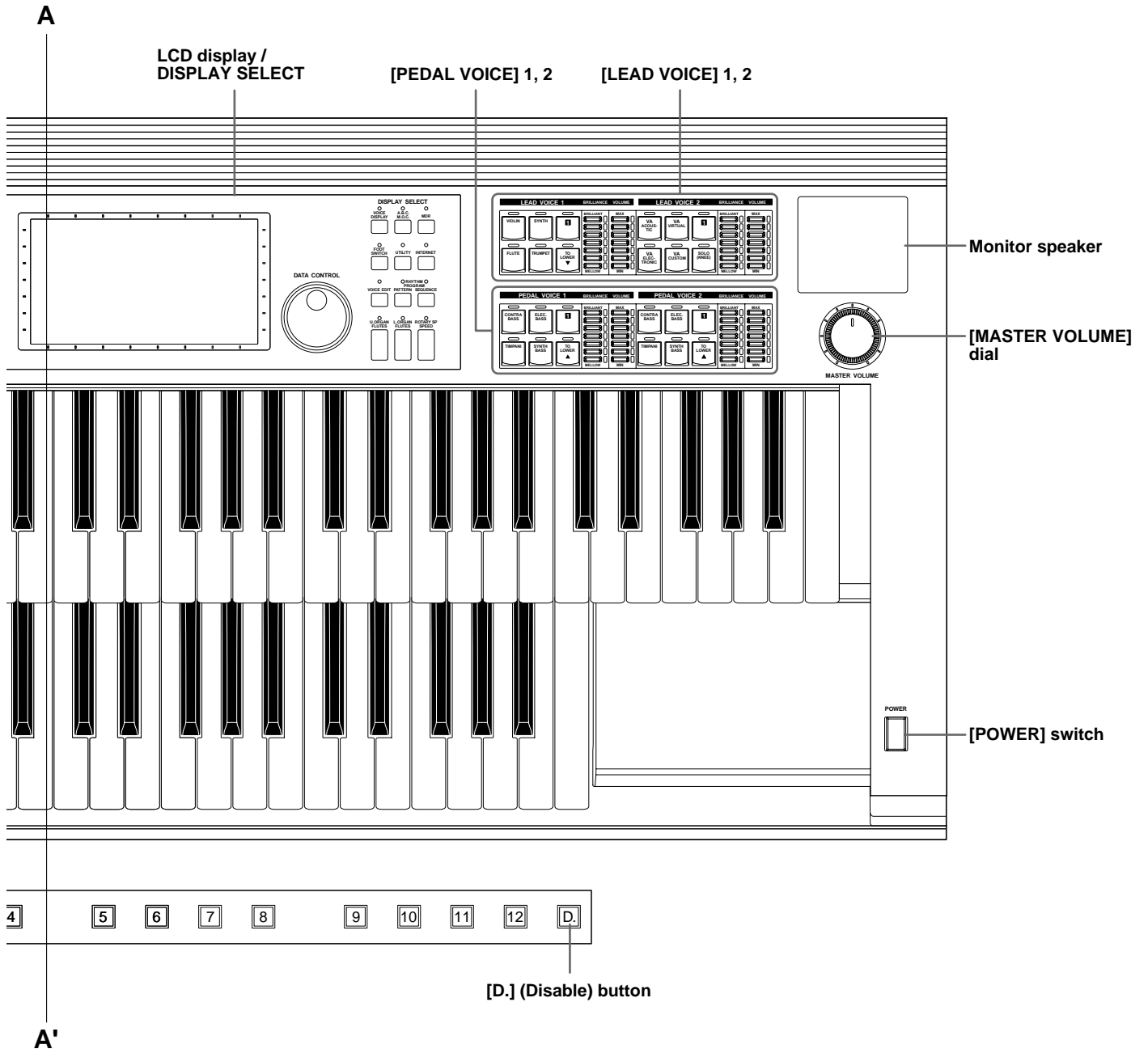
- ① LCD display (touch-panel)
- ② [DATA CONTROL] dial
- ③ [VOICE DISPLAY] button
- ④ [A.B.C./M.O.C.] button
- ⑤ [MDR] button
- ⑥ [FOOT SWITCH] button
- ⑦ [UTILITY] button
- ⑧ [INTERNET] button
- ⑨ [VOICE EDIT] button
- ⑩ [PATTERN] button
- ⑪ [SEQUENCE] button
- ⑫ [U. ORGAN FLUTES] button
- ⑬ [L. ORGAN FLUTES] button
- ⑭ [ROTARY SP SPEED] button

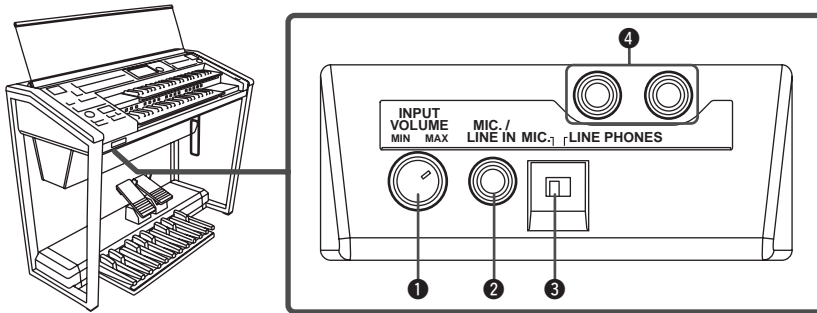
• Overview



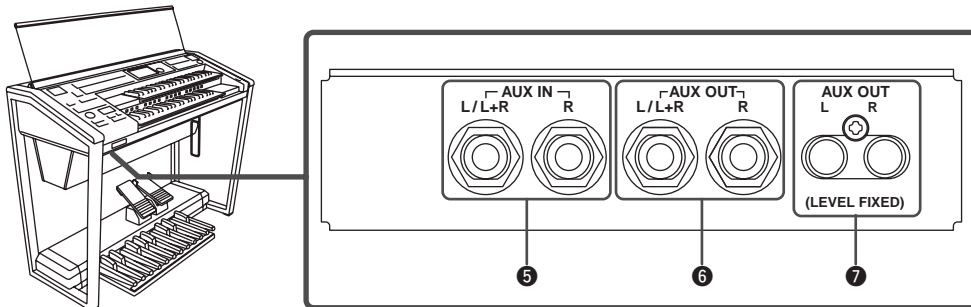
• Front Panel



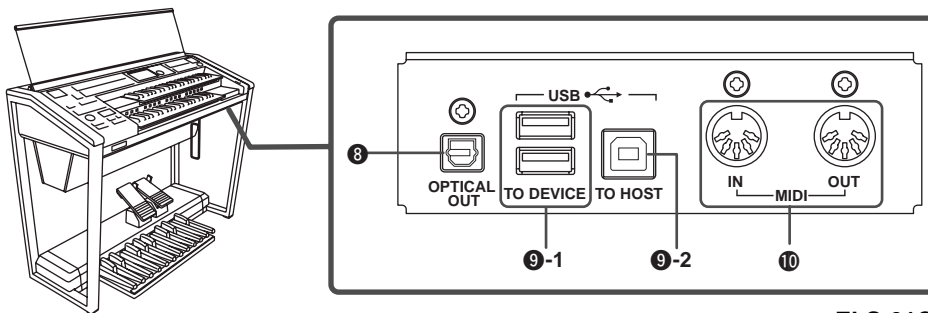




- ❶ [INPUT VOLUME] knob
- ❷ [MIC./LINE IN] jack
- ❸ [MIC./LINE] switch
- ❹ [PHONES] jacks



- ❺ [AUX IN (L/L+R, R)] jacks
- ❻ [AUX OUT (L/L+R, R)] jacks
- ❼ [AUX OUT (L/R)] jacks (LEVEL FIXED)

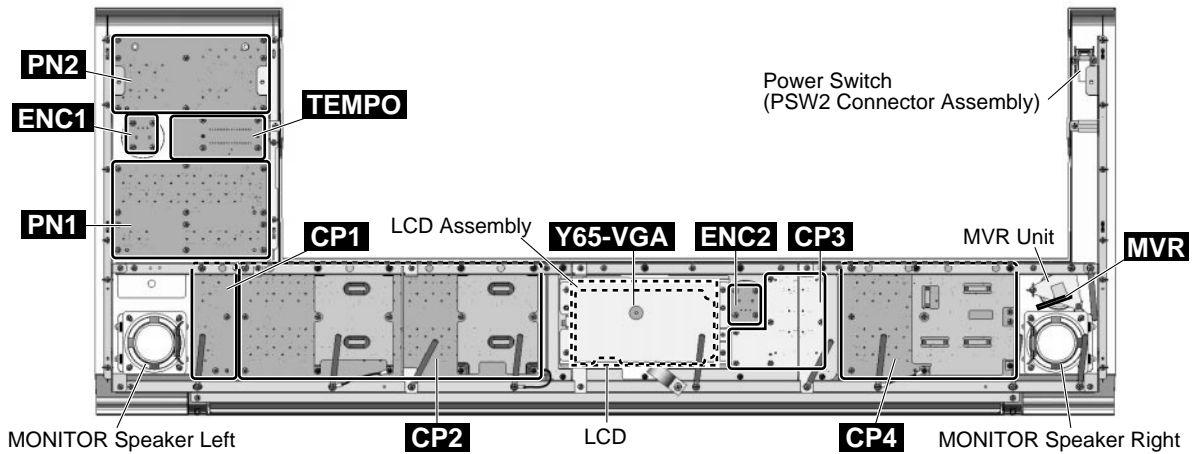


ELS-01C

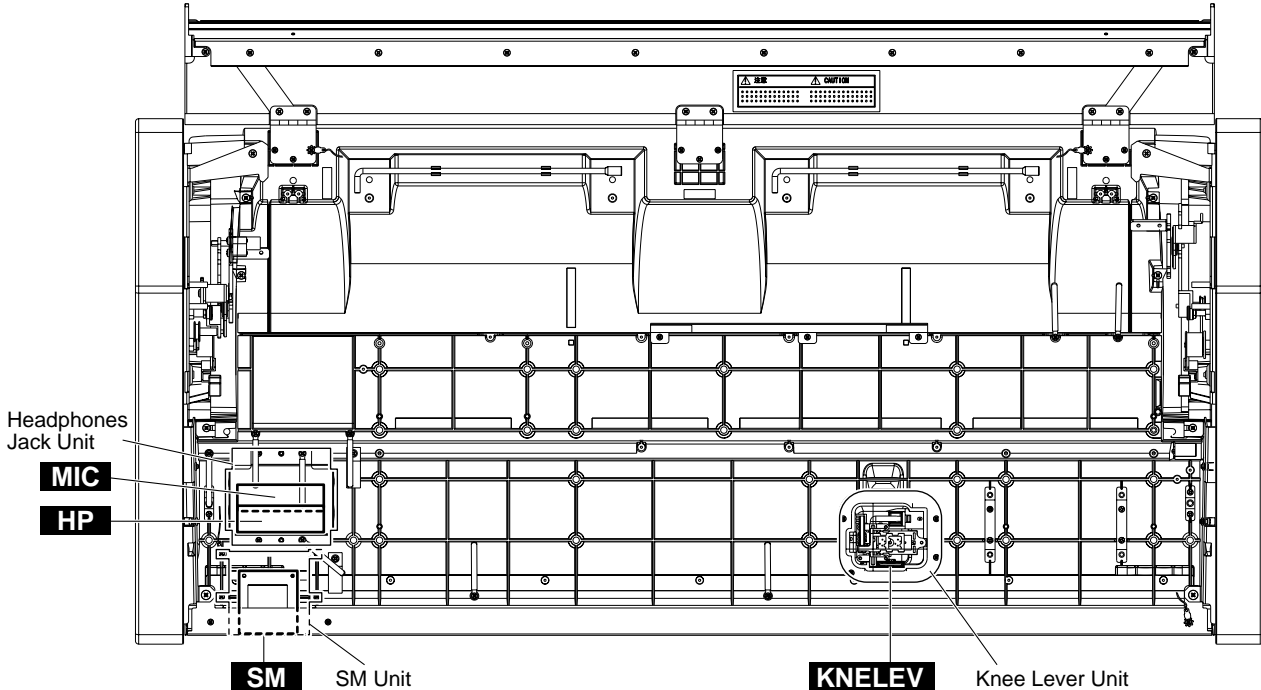
- ❽ [OPTICAL OUT] terminal
- ❾ [USB] terminals
- ❾-1 [USB TO DEVICE] terminal(s)
- ❾-2 [USB TO HOST] terminal
- ❿ [MIDI IN/OUT] terminals

CIRCUIT BOARD LAYOUT

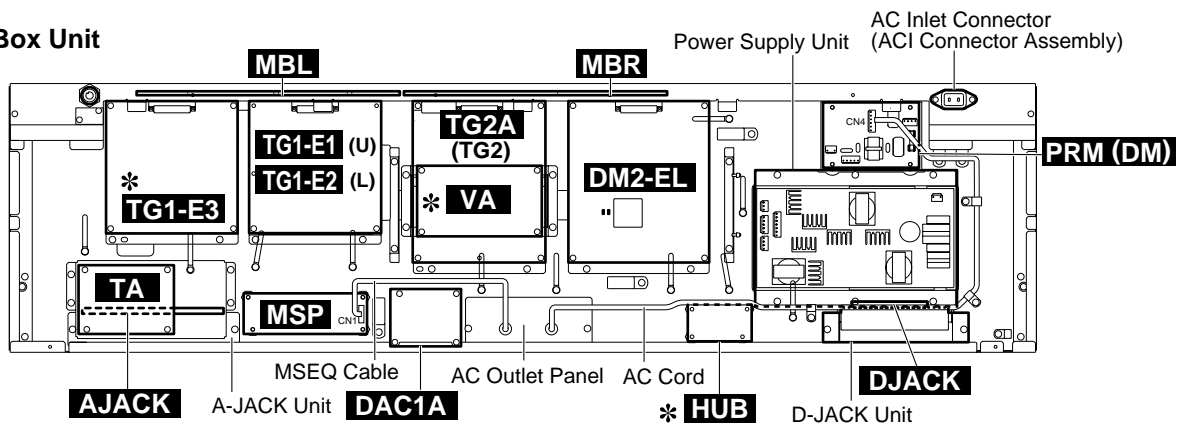
• Panel Assembly



• Lower Case Unit



• DM Box Unit

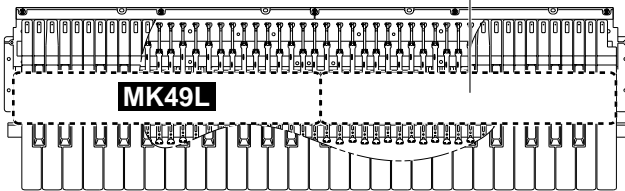


* : Only for ELS-01C

• Keyboard

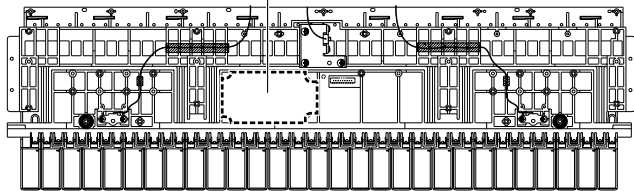
<Top>

MKH-A	ELS-01C (UK)	MKH-B	ELS-01C (LK)
MKH-C	ELS-01 (UK)	MKH-D	ELS-01 (LK)

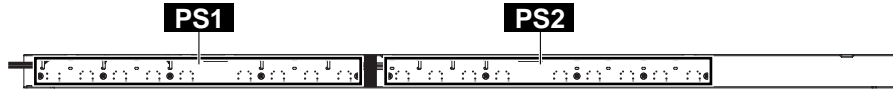


<Bottom>

EMKS-FA	ELS-01C (UK)	EMKS-FB	ELS-01C (LK)
EMKS-FC	ELS-01 (UK)	EMKS-FD	ELS-01 (LK)

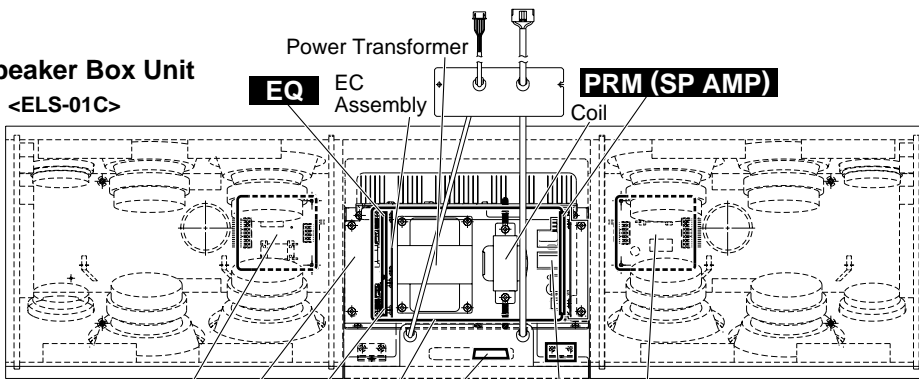


<Upper Front Rail Assembly>

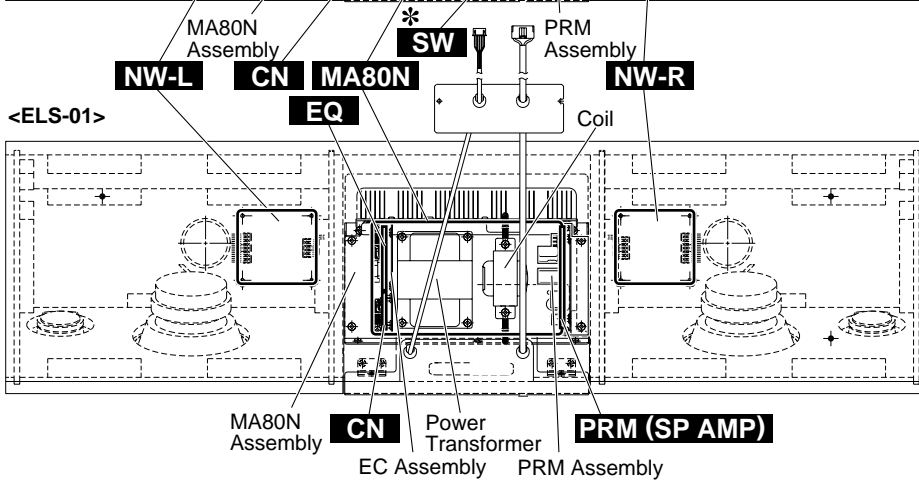


• Speaker Box Unit

<ELS-01C>



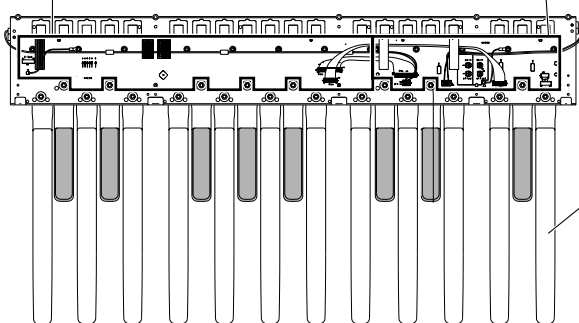
<ELS-01>



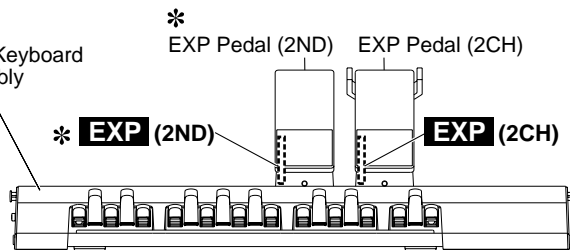
• Pedal Keyboard Assembly

PK-L

PK-H



Pedal Keyboard Assembly



* : Only for ELS-01C

DISASSEMBLY PROCEDURE

Contents

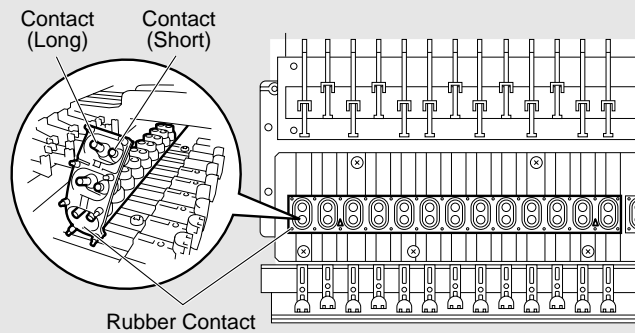
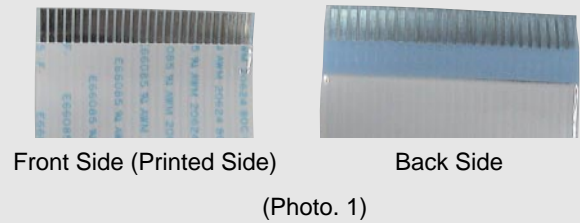
Notes	12	A-22. Front Rail	29
A. Upper Unit		A-23. Displacing DM Box Unit	29
A-1. Back Top Board Unit	12	A-24. DM Cover Assembly	29
A-2. Opening Top Board Assembly	12	A-25. AC Cord, MSEQ Cable	30
A-3. Removing Key Cover Assembly	13	A-26. DM Box Unit	30
A-4. Installing Key Cover Assembly	13	A-27. Circuit Boards and Units in DM Box Unit Section....	30
A-5. Opening Panel Assembly	14	A-27-2 TG1-E1 Circuit Board	31
A-6. Circuit Boards and Units in Panel Assembly Section ...	14	A-27-3 TG1-E2 Circuit Board	31
A-6-2 ENC1 Circuit Board	15	A-27-4 TG2A (TG2) Circuit Board	32
A-6-3 ENC2 Circuit Board	15	A-27-5 MBL Circuit Board and MBR Circuit Board	32
A-6-4 CP2 Circuit Board	15	A-27-6 A-JACK Unit and AJACK Circuit Board	33
A-6-5 CP4 Circuit Board	15	A-27-7 DJACK Circuit Board	33
A-6-6 MVR Circuit Board	15	A-27-8 Cable 7	34
A-6-7 LCD Assembly	15	B. Speaker Box Unit	
A-6-8 LCD and Y65VGA Circuit Board	16	B-1. Speaker Box Unit	34
A-6-9 Speaker Grille Assembly	16	B-2. AMP Unit	34
A-7. SM Unit and SM Circuit Board	16	B-3. Circuit Boards and Units in AMP Unit Section ...	35
A-8. Headphones Jack Unit, HP Circuit Board, MIC Circuit Board	17	B-3-2 MA80N Circuit Board	36
A-9. USB-3.5FDD (ELS-01C, UD-FD01)	17	B-3-3 Power Transformer	36
A-10. Upper Unit	18	B-3-4 PRM (SP AMP) Circuit Board	36
A-11. Lifting Upper Unit	18	B-3-5 EQ Circuit Board and CN Circuit Board	37
A-12. Upper Keyboard Unit	19	B-3-6 PSW Assembly	37
A-13. Lower Keyboard Unit	19	B-3-7 POWER switch	37
A-14. Upper Front Rail Assembly, PS1 Circuit Board, PS2 Circuit Board	19	B-4. ACO Ass'y	37
A-15. Keys (White and Black Keys)	20	B-5. Speakers (Front) (ELS-01C)	38
A-16. Installing Keys (White and Black Keys)	20	B-6. Speakers (Rear) (ELS-01C)	38
A-17. Disassembling Upper Keyboard Unit	21	B-7. Speakers (ELS-01)	39
A-17-1 Stroke Sensor (only for ELS-01C)	21	B-8. NW Circuit Boards-R and -L (ELS-01C)	39
A-17-2 Rubber Contact	22	B-9. NW Circuit Boards-R and -L (ELS-01)	39
A-17-3 MK49L Circuit Board	23	C. Pedal Unit and AC Cord	
A-17-4 MKH-A Circuit Board (only for ELS-01C)	23	C-1. Pedal Unit	39
A-17-5 MKH-C Circuit Board (only for ELS-01)	24	C-2. EXP Pedal (2CH) and EXP (2CH) Circuit Board ..	40
A-18. Disassembling Lower Keyboard Unit	24	C-3. Second EXP Pedal (2ND) and EXP (2ND) Circuit Board (Only for ELC-01C)	40
A-18-1 Stroke Sensor (only for ELS-01C)	24	C-4. Pedal Keyboard Assembly and Cable 3-LF	41
A-18-2 Rubber Contact	26	C-5. Disassembling Pedal Keyboard Assembly (PK White and Black Keys), PK-L Circuit Board and PK-H Circuit Board	41
A-18-3 MK49L Circuit Board	27	C-6. PK Cover	42
A-18-4 MKH-B Circuit Board (only for ELS-01C)	27	C-7. AC Cord	42
A-18-5 MKH-D Circuit Board (only for ELS-01)	28	C-8. Installing AC Cord	43
A-19. Cover Mechanism Unit L and R	28	C-9. Cable 6	43
A-20. Knee Lever Unit and KNELEV Circuit Board ..	28	C-10. Installing Cable 6	43
A-21. Shaft Unit L and R	29		

Precautions

1. When DM2-EL circuit board is replaced, data on Internet settings and LCD calibration may be lost. DM2-EL circuit board has internal DIP switches for switching the model ELS-01 or ELS-01C (SW1) and for switching the display in Japanese or in English (SW3).
2. Disconnect an USB connector when removing or lifting the upper unit.
3. In the replacing of USB-3.5 FDD, note that once you remove a double-sided tape (cushion), you cannot use it again. Use new double-sided tapes (cushions) to install the FDD.
4. Attach filament tapes and cord binders in the same as those before removing.
5. The orientation of rubber contacts on the keyboard is previously designated as shown in the right figure. Pay attention not to install the rubber contacts inversely.

⚠ Notes on Flat Cable

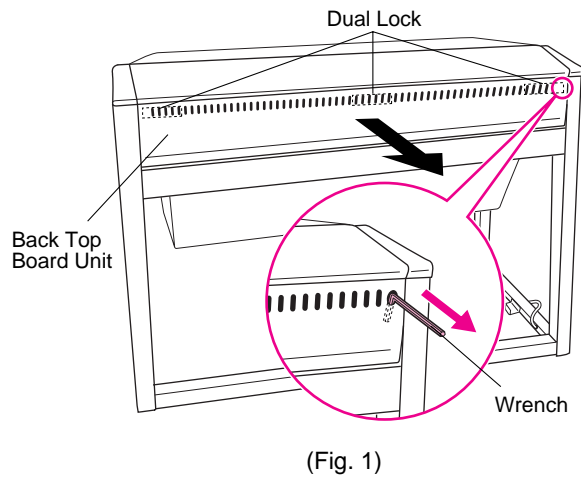
Contacts are visible from the back. Pay attention not to insert and install the cable to the connector inversely. (Photo. 1)



A. Upper Unit

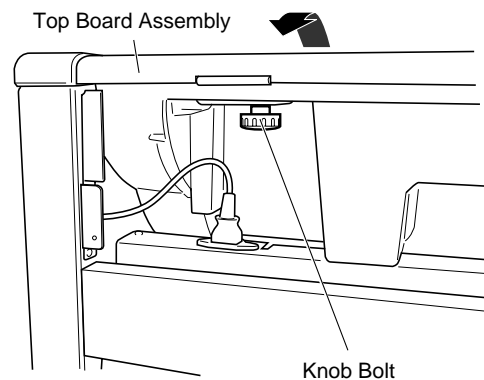
A-1. Back Top Board Unit (Time required: About 1 minute)

- 1-1 Insert a hexagon wrench into the right hole of the back top board unit. Pull and remove the back top board unit. (Fig. 1)



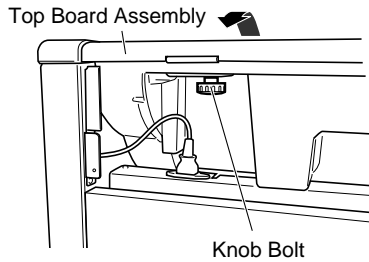
A-2. Opening Top Board Assembly (Time required: About 1 minute)

- 2-1 Remove the back top board unit. (See procedure A-1.)
- 2-2 Remove the two (2) knobs and open the top board assembly. (Fig. 2)



**A-3. Removing Key Cover Assembly
(Time required: About 2 minutes)**

- 3-1 Insert a hexagon wrench into the right hole of the back top board unit. Pull and remove the back top board unit. (Fig. 1)
- 3-2 Remove the two (2) knobs and open the top board assembly. (Fig. 2)
- 3-3 Remove the six (6) screws marked [19]. The key cover assembly can then be removed. (Fig. 3)



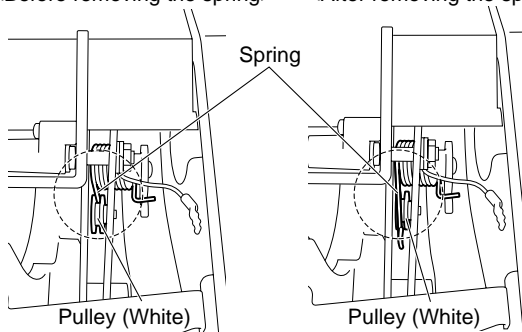
(Fig. 2)

**A-4. Installing Key Cover Assembly
(Time required: About 5 minutes)**

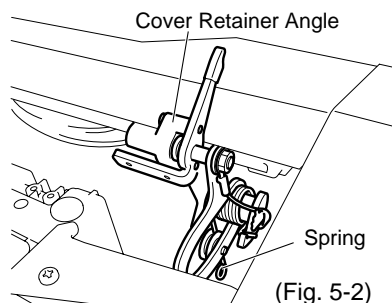
- 4-1 Before installing the key cover assembly, remove the right and left springs of the pulley from the backside of the main unit. (Fig. 4)
- 4-2 Raise the right and left cover retainer angles from the lowering state, and set the cover retainer angles of the cover mechanism unit to the position shown in Fig. 5-2. (Fig. 5-1, 5-2)
- 4-3 Set the key cover assembly in parallel with the main unit, and fit the ends of cover retainer angles of the cover mechanism units into the right and left recesses on the key cover assembly from the front side of the main unit to close the cover. (Fig. 6)

• Cover Mechanism Unit

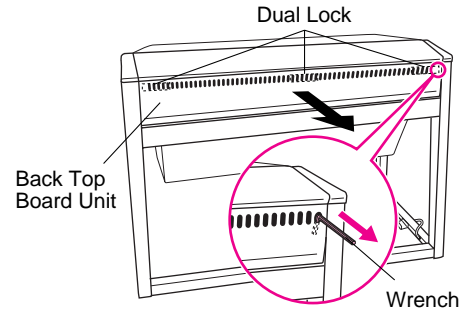
<Before removing the spring> <After removing the spring>



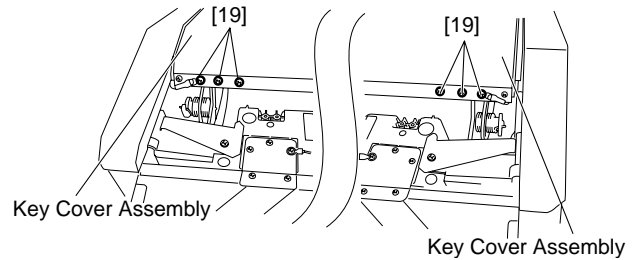
(Fig. 4)



(Fig. 5-2)



(Fig. 1)

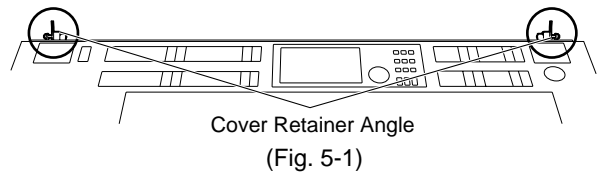


[19]: Bind Head Tapping Screw-S 4.0X8 MFZN2BL (V1693100)

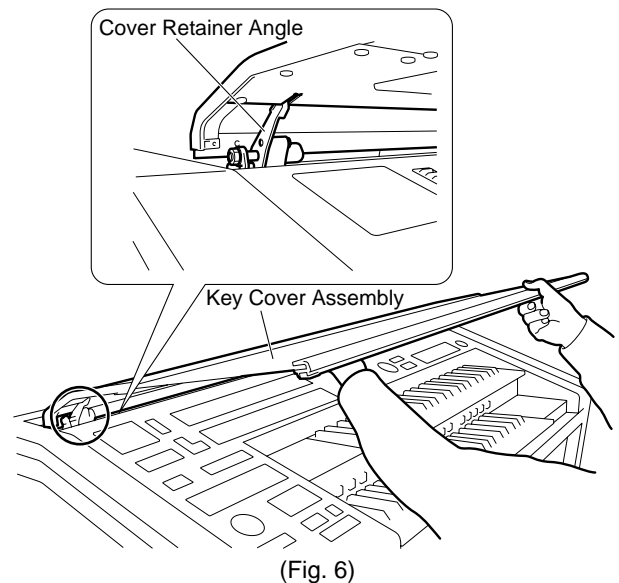
(Fig. 3)

- 4-4 Push the key cover assembly to align with the screw holes on the cover retainer angle. Use the six (6) screws marked [19] to attach the key cover assembly on the main unit. (Fig. 3)
- 4-5 While opening the key cover assembly slightly, hold the end of the respective springs and insert the right and left springs to their original positions, respectively. (Fig. 4, 5-2)
- ⚠ **Watch out for the spring during the insertion.**
- 4-6 Close the top board assembly and install the two (2) knobs.
- 4-7 Install the back top board unit.

• Lifting cover retainer angle



(Fig. 5-1)



(Fig. 6)

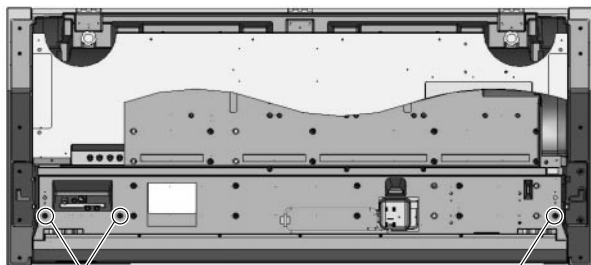
**A-5. Opening Panel Assembly
(Time required: About 1 minute)**

- 5-1 Open the key cover assembly. (Photo.2)
- 5-2 Remove the three (3) screws marked [15a]. (Fig. 7)

5-3 Lift to open the panel assembly, and secure the panel assembly with the auxiliary panel stay. (Photo.2)

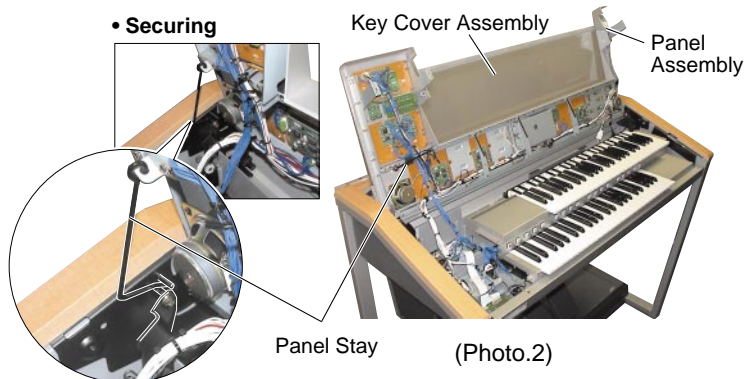
* **When closing the panel assembly, make sure to restore the panel stay to its original position.**

• **Bottom**



[15a] [15a]
[15a]: Bind Head Screw 5.0X12 MFZN2BL (EG350170)
(Fig. 7)

• **Securing**

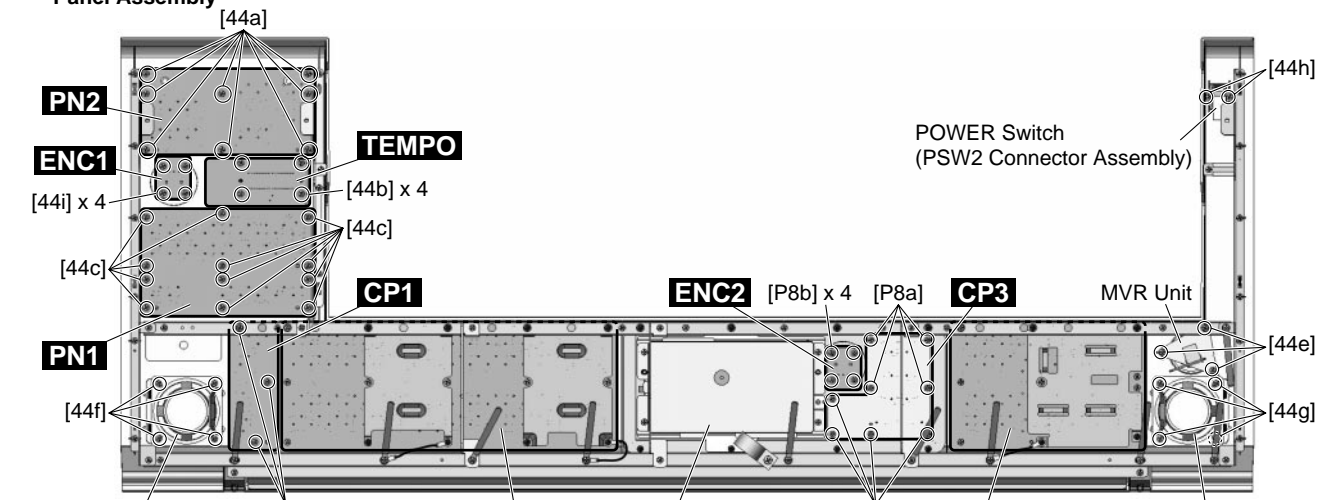


A-6. Circuit Boards and Units in Panel Assembly Section (Time required: About 3 minutes each)

6-1 After the panel assembly is opened, the following circuit boards and units in the panel assembly can be remove by the removal of the screws in the list below:

Circuit Board and Unit Name	Ref No.	Screw		QTY	Fig.
PN2	[44a]	Bind Head Tapping Screw-B	3.0X8 MFZN2Y (EP600250)	8	8
TEMPO	[44b]	Bind Head Tapping Screw-B	3.0X8 MFZN2Y (EP600250)	4	8
PN1	[44c]	Bind Head Tapping Screw-B	3.0X8 MFZN2Y (EP600250)	12	8
CP1	[44d]	Bind Head Tapping Screw-B	3.0X8 MFZN2Y (EP600250)	3	8
CP3	[P8a]	Bind Head Tapping Screw-B	3.0X8 MFZN2Y (EP600250)	8	8
MVR Unit	[44e]	Bind Head Tapping Screw-B	3.0X8 MFZN2Y (EP600250)	3	8
MONITOR Speaker (Left)	[44f]	Bind Head Tapping Screw-B	3.0X8 MFZN2Y (EP600250)	4	8
MONITOR Speaker (Right)	[44g]	Bind Head Tapping Screw-B	3.0X8 MFZN2Y (EP600250)	4	8
POWER Switch (PSW2 Connector Assembly)	[44h]	Bind Head Tapping Screw-B	3.0X8 MFZN2Y (EP600250)	2	8

• **Panel Assembly**

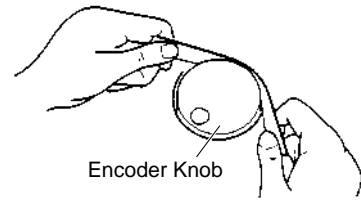


[44]: Bind Head Tapping Screw-B 3.0X8 MFZN2Y (EP600250)
[P8]: Bind Head Tapping Screw-B 3.0X8 MFZN2Y (EP600250)
(Fig. 8)

A-6-2 ENC1 Circuit Board

(Time required: About 4 minutes)

- 6-2-1 Remove the encoder knob from the panel surface. (Fig. 9)
- 6-2-2 Remove the four (4) screws marked [44i]. The ENC1 circuit board can then be removed. (Fig. 8)

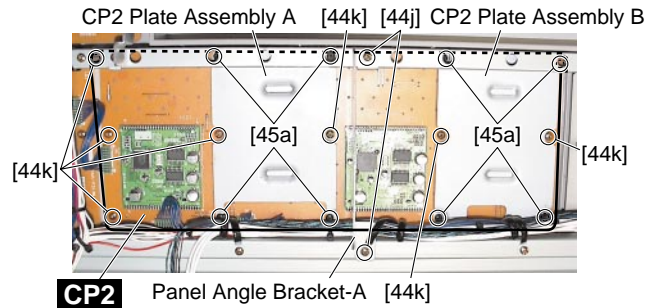


(Fig. 9)

A-6-3 ENC2 Circuit Board

(Time required: About 4 minutes)

- 6-3-1 Remove the encoder knob from the panel surface. (Fig. 9)
- 6-3-2 Remove the four (4) screws marked [P8b]. The ENC2 circuit board can then be removed. (Fig. 8)



CP2

[44]: Bind Head Tapping Screw-B 3.0X8 MFZN2Y (EP600250)
 [45a]: Bind Head Tapping Screw-B 3.0X10 MFZN2BL (EP600140)
 (Photo. 3)

A-6-4 CP2 Circuit Board

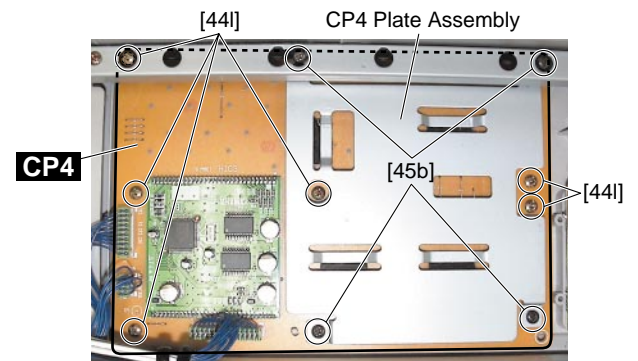
(Time required: About 4 minutes)

- 6-4-1 Remove the two (2) screws marked [44j]. The panel angle bracket-A can then be removed. (Photo. 3)
- 6-4-2 Remove the eight (8) screws marked [45a]. The CP2 plate assembly A and CP2 plate assembly B can then be removed. (Photo. 3)
- 6-4-3 Remove the seven (7) screws marked [44k]. The CP2 circuit board can then be removed. (Photo. 3)

A-6-5 CP4 Circuit Board

(Time required: About 3 minutes)

- 6-5-1 Remove the four (4) screws marked [45b]. The CP4 plate assembly can then be removed. (Photo. 4)
- 6-5-2 Remove the six (6) screws marked [44l]. The CP4 circuit board can then be removed. (Photo. 4)



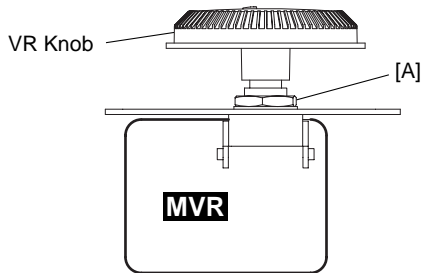
CP4

[44l]: Bind Head Tapping Screw-B 3.0X8 MFZN2Y (EP600250)
 [45b]: Bind Head Tapping Screw-B 3.0X10 MFZN2BL (EP600140)
 (Photo. 4)

A-6-6 MVR Circuit Board

(Time required: About 4 minutes)

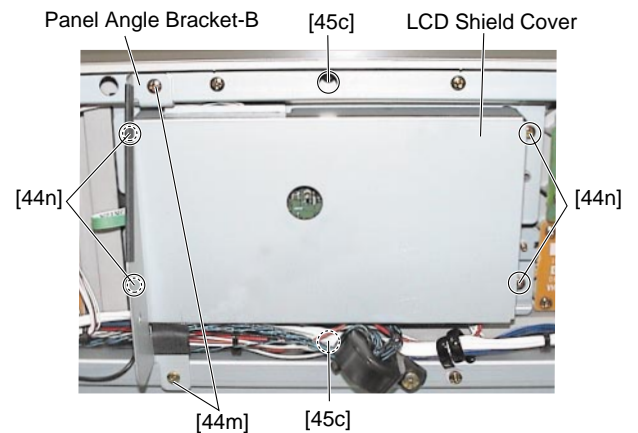
- 6-6-1 Remove the MVR unit. (See procedure A-6-1.)
- 6-6-2 Remove the VR knob. (Fig. 10)
- 6-6-3 Remove the hexagonal nut marked [A]. The MVR circuit board can then be removed. (Fig. 10)



(Fig. 10)

A-6-7 LCD Assembly (Time required: About 4 minutes)

- 6-7-1 Remove the two (2) screws marked [44m]. The panel angle bracket-B can then be removed. (Photo. 5)
- 6-7-2 Remove the four (4) screws marked [44n]. The LCD shield cover can then be removed. (Photo. 5)
- 6-7-3 Remove the two (2) screws marked [45c]. The LCD assembly can then be removed. (Fig. 8, 11) (Photo. 5)



[44m]: Bind Head Tapping Screw-B 3.0X8 MFZN2Y (EP600250)
 [45c]: Bind Head Tapping Screw-B 3.0X10 MFZN2BL (EP600140)
 (Photo. 5)

A-6-8 LCD and Y65-VGA Circuit Board
(Time required: About 5 minutes each)

6-8-1 Remove the LCD assembly. (See procedure A-6-7.)

6-8-2 LCD

6-8-2-1 Remove the four (4) screws marked [L4]. The LCD can then be removed. (Fig. 11)

6-8-3 Y65-VGA Circuit Board

6-8-3-1 Remove the six (6) screws marked [L5]. The Y65-VGA circuit board can then be removed. (Fig. 11)

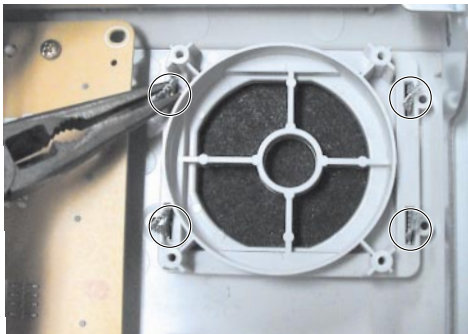
* **After replacing the LCD, calibrate the touch panel. (See page 113.)**

A-6-9 Speaker Grille Assembly
(Time required: About 5 minutes)

6-9-1 Remove the MONITOR speakers.
 (See procedure A-6-1.)

6-9-2 Straighten the twisted legs (4 sections) on the speaker grille assembly and remove them from the panel surface. (Photo. 6)

* **Right and left speaker grille assemblies can be removed in the same way.**



(Photo. 6)

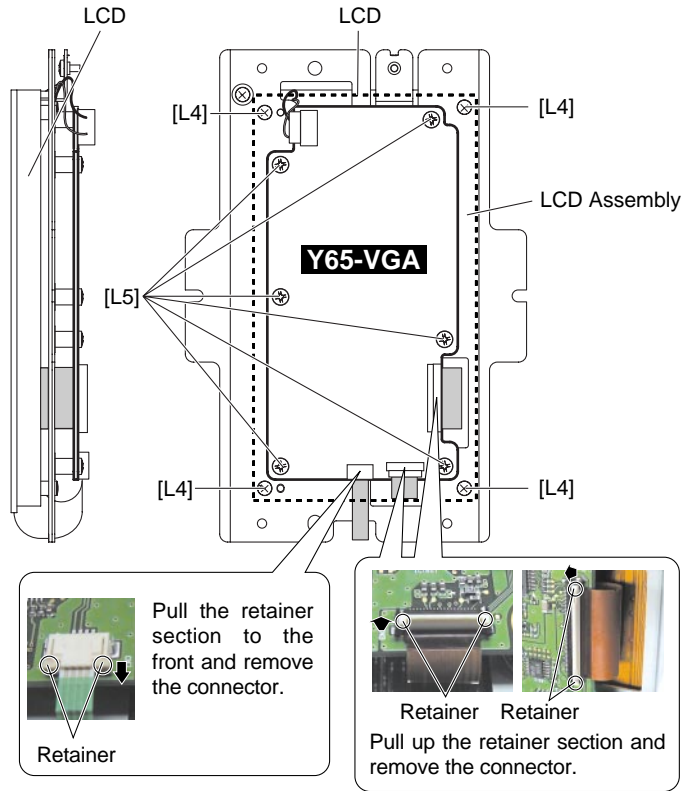
A-7. SM Unit and SM Circuit Board
(Time required: About 3 minutes)

7-1 Open the panel assembly. (See procedure A-5.)

7-2 Remove the four (4) screws marked [30a]. The SM unit can then be removed. (Fig. 12)

7-3 Remove the four (4) screws marked [7e]. The SM circuit board can then be removed. (Fig. 12)

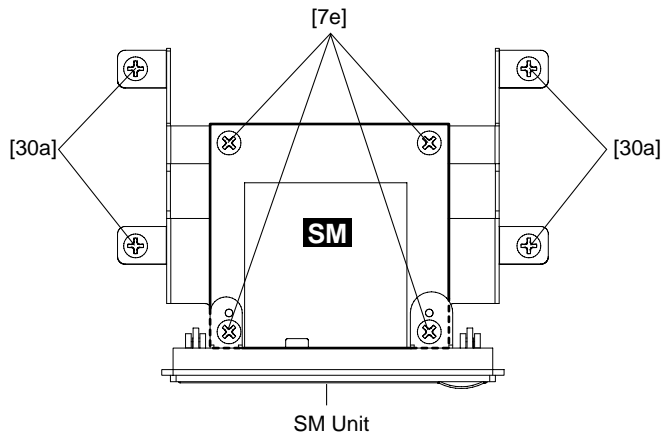
* **Before replacing the SM circuit board, make sure that a smart media card is not inserted in the unit.**



[L4]: Bind Head Tapping Screw-B 2.6X6 MFZN2Y (VC069600)

[L5]: Bind Head Tapping Screw-B 3.0X6 MFZN2Y (EP600130)

(Fig. 11)



[7e]: Bind Head Screw 3.0X6 MFZN2Y (EG330040)

[30a]: Bind Head Tapping Screw-B 3.0X8 MFZN2Y (EP600250)

(Fig. 12)

A-8. Headphones Jack Unit, HP Circuit Board, MIC Circuit Board (Time required: About 5 minutes each)

- 8-1 Open the panel assembly. (See procedure A-5.)
- 8-2 Remove the two (2) screws marked [36a]. The two (2) data line filters can then be removed. (Fig. 13)
- 8-3 Remove the four (4) screws marked [32a]. The HPJ unit cover and the headphones jack unit can then be removed. (Fig. 13, 14)

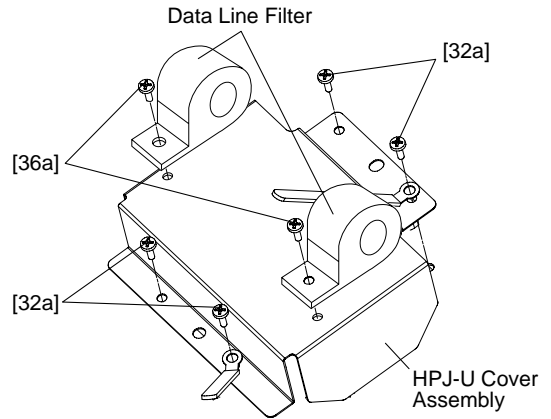
8-4 HP Circuit Board

- 8-4-1 Remove the two (2) hexagonal nuts marked [6da]. The HP circuit board can then be removed. (Fig. 14)

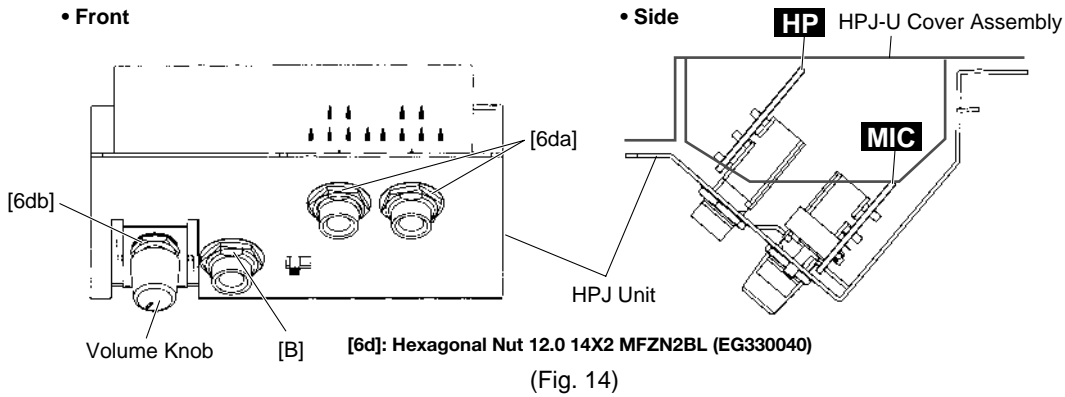
8-5 MIC Circuit Board

- 8-5-1 Remove the volume knob, then remove the hexagonal nut marked [6db]. (Fig. 14)
- 8-5-2 Remove the hexagonal nut marked [B]. The MIC circuit board can then be removed. (Fig. 14)

* **When installing the volume knob, the mark on the knob should be positioned at the lower left with fully turned counterclockwise.**



[32a]: Bind Head Tapping Screw-B 3.0X10 MFZN2BL (EP600140)
 [36a]: PW Head Tapping Screw-B 3.0X8-8 MFZN2Y (WB086700)
 (Fig. 13)

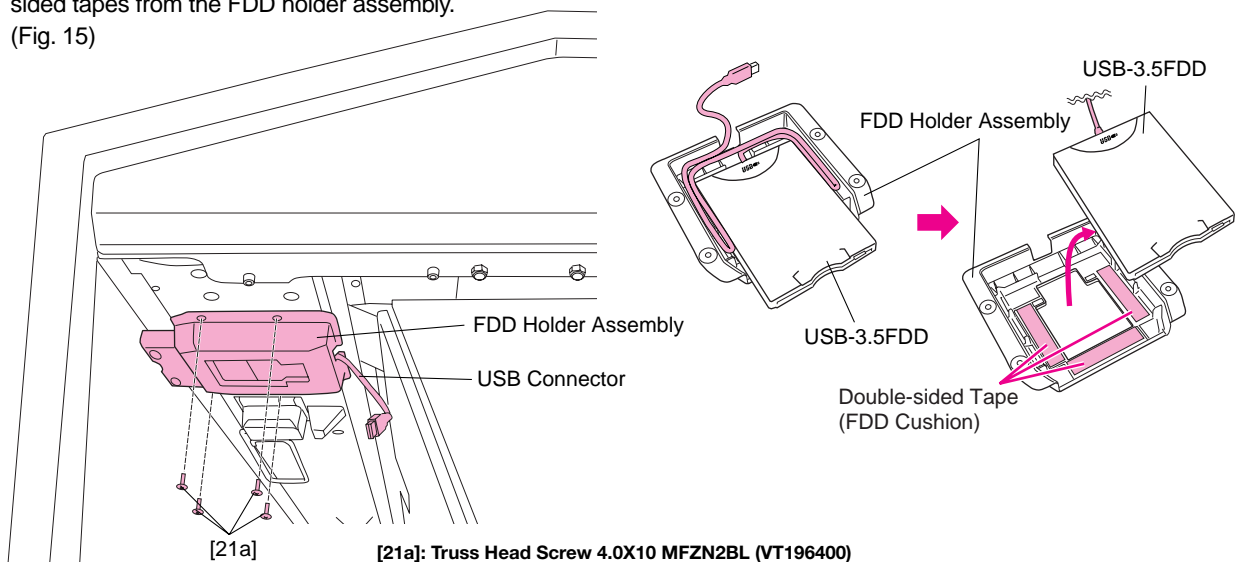


(Fig. 14)

A-9. USB-3.5FDD (Time required: About 1 minute) (ELS-01C, UD-FD01)

- 9-1 Disconnect the USB connector. (Fig. 15)
- 9-2 Remove the four (4) screws marked [21a]. The FDD holder assembly can then be removed. (Fig. 15)
- 9-3 Remove the USB-3.5FDD attached by the double-sided tapes from the FDD holder assembly. (Fig. 15)

* **Note that once you remove the double-sided tape (FDD cushion), you cannot use it again. In the replacing of USB-3.5 FDD, use new double-sided tapes (FDD cushions) to install the FDD.**

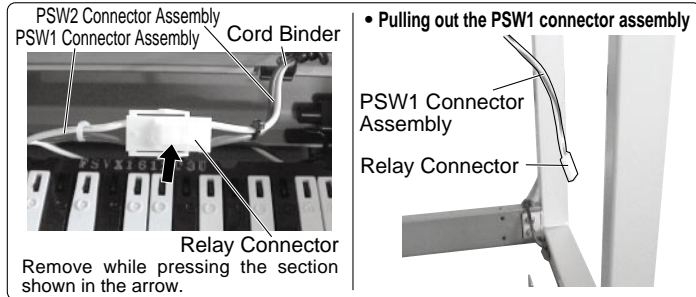


(Fig. 15)

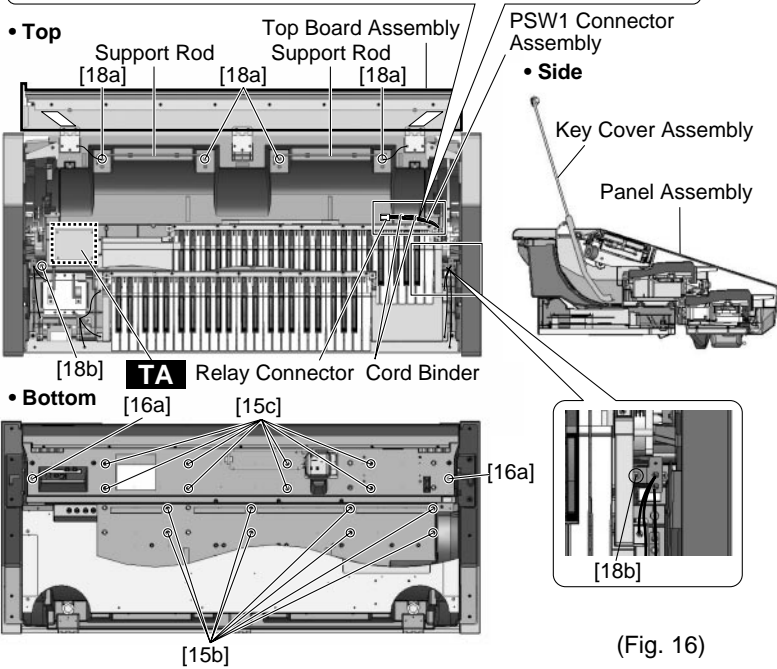
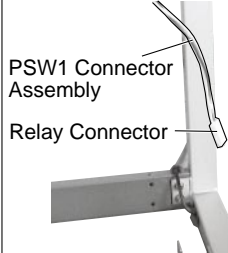
A-10. Upper Unit (Time required: About 8 minutes)

- 10-1 Remove the back top board unit. (See procedure A-1.)
- 10-2 Open the top board assembly. (See procedure A-2.)
- 10-3 **Disconnect the USB connector on the FDD.** (Fig. 15)
- 10-4 Remove the four (4) screws marked [18a] and close the top board assembly. (Fig. 16)
- 10-5 Open the key cover assembly. (Fig. 16)
- 10-6 Open the panel assembly. (See procedure A-5.)

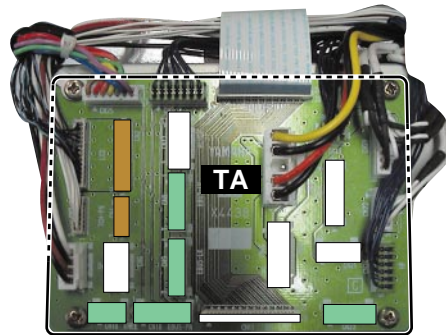
- 10-7 Disconnect 13 connectors on the TA circuit board section.(Fig. 16) (Photo. 7)
- 10-8 Disconnect the relay connector in the PSW1, PSW2 connector assembly. (Fig. 16)
- 10-9 Remove the PSW1 connector assembly from the cord binder and pull it out. (Fig. 16)
- 10-10 Remove the two (2) screws marked [18b] and close the panel assembly and the key cover assembly. (Fig. 16)
- 10-11 Remove the two (2) cap screws marked [16a]. The upper unit can then be removed. (Fig. 16)



• Pulling out the PSW1 connector assembly



• TA Circuit Board



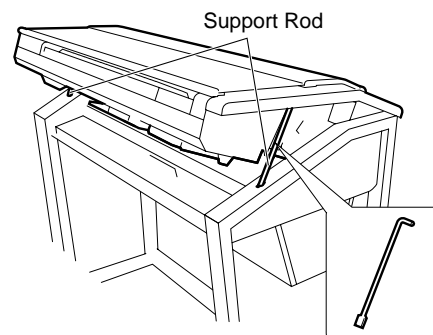
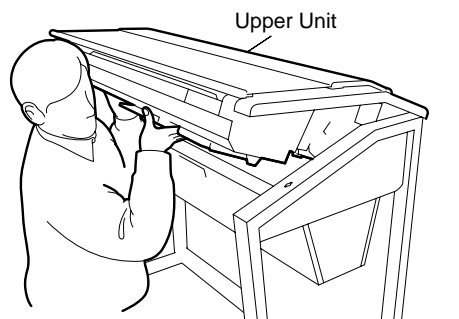
* Remove 13 connectors.
(Photo. 7)

- [15]: Bind Head Screw 5.0X12 MFZN2BL (EG350170)
- [16a]: Cap Screw 5.0X14 MFZN2BL (WD033900)
- [18]: Bind Head Screw 4.0X10 MFZN2Y (03753440)

(Fig. 16)

A-11. Lifting Upper Unit (Time required: About 9 minutes)

- 11-1 Remove the back top board unit. (See procedure A-1.)
- 11-2 Open the top board assembly. (See procedure A-2.)
- 11-3 **Disconnect the USB connector on the FDD.** (Fig. 15)
- 11-4 Remove the four (4) screws marked [18a], extract the two (2) support rods, and then close the top board assembly. (Fig. 16)
- 11-5 Open the key cover assembly. (Fig. 16)
- 11-6 Open the panel assembly. (See procedure A-5.)
- 11-7 Disconnect 13 connectors on the TA circuit board section. (Fig. 16) (Photo. 7)
- 11-8 Disconnect the relay connector in the PSW1, PSW2 connector assembly. (Fig. 16)
- 11-9 Remove the PSW1 connector assembly from the cord binder and pull it out. (Fig. 16)
- 11-10 Remove the two (2) screws marked [18b] and close the panel assembly and the key cover assembly. (Fig. 16)
- 11-11 Remove the two (2) cap screws marked [16a], hold the upper unit in parallel, and then support the upper unit with the two (2) support rods. (Fig. 16, 17)



(Fig. 17)

A-12. Upper Keyboard Unit

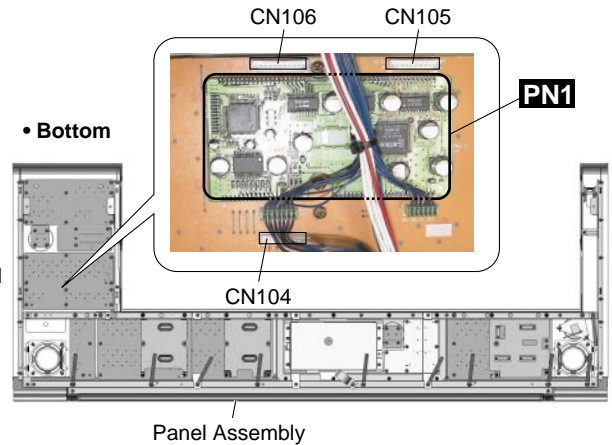
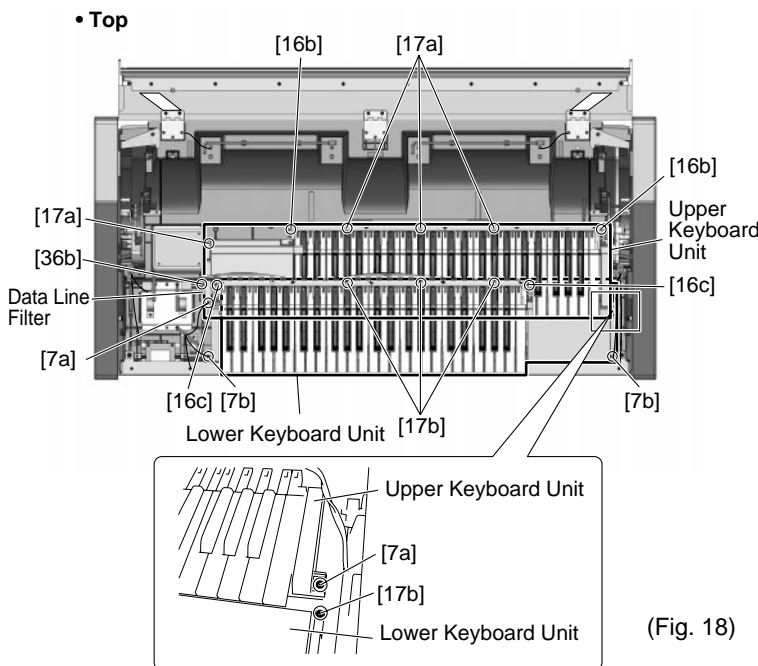
(Time required: About 13 minutes)

- 12-1 Lift the upper unit. (See procedure A-11.)
- 12-2 Remove the eight (8) screws marked [15b]. (Fig. 16)
- 12-3 Lower the upper unit.
- 12-4 Open the key cover assembly and the panel assembly, and remove the two (2) screws marked [16b] and the four (4) screws marked [17a]. (Fig. 18)
- 12-5 Remove the screw marked [36b] on the data line filter. (Fig. 18)
- 12-6 Remove the two (2) screws marked [7a] that secure the GND wires. (Fig. 18)
- 12-7 Disconnect the CN104, CN105, and CN106 connectors in the PN1 circuit board mounted on the panel assembly. The upper keyboard unit can then be removed. (Fig. 18)

A-13. Lower Keyboard Unit

(Time required: About 16 minutes)

- 13-1 Lift the upper unit. (See procedure A-11.)
- 13-2 Remove the FDD Holder Assembly. (See procedure A-9-2.) (ELS-01C, UD-FD01)
- 13-3 Remove the eight (8) screws marked [15b] and the eight (8) screws marked [15c]. (Fig. 16)
- 13-4 Lower the upper unit.
- 13-5 Remove the upper keyboard unit. (See procedure A-12-4 ~ 7.)
- 13-6 Remove the two (2) screws marked [7b] that secure the GND wires. (Fig. 18)
- 13-7 Remove the two (2) screws marked [16c] and the four (4) screws marked [17b]. The lower keyboard unit can then be removed. (Fig. 18)

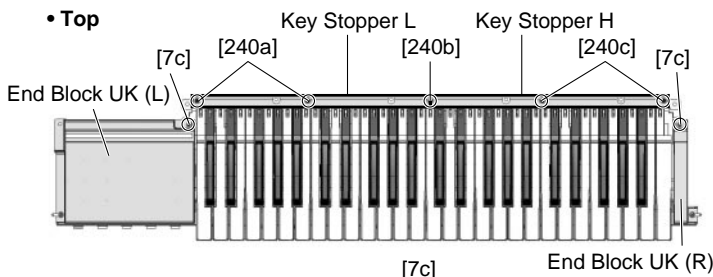


- [7]: Bind Head Tapping Screw-B 3.0X8 MFZN2Y (EP600250)
- [16]: Bind Head Tapping Screw-B 4.0X10 MFZN2Y (EP640130)
- [17]: Bind Head Tapping Screw-B 3.0X10 MFZN2BL (EP600140)
- [36b]: PW Head Tapping Screw-B 3.0X8-8 MFZN2Y (WB086700)

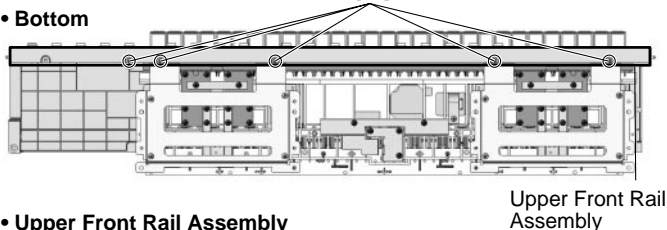
(Fig. 18)

Upper Keyboard Unit

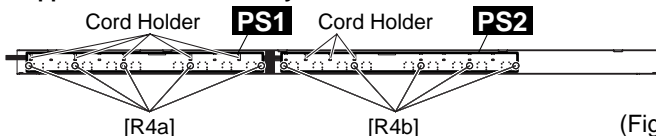
• Top



• Bottom



• Upper Front Rail Assembly



A-14. Upper Front Rail Assembly, PS1 Circuit Board, PS2 Circuit Board (Time required: About 16 minutes each)

- 14-1 Lift the upper unit. (See procedure A-11.)
- 14-2 Remove the upper keyboard unit. (See procedure A-12.)
- 14-3 Remove the seven (7) screws marked [7c]. The upper front rail assembly and the end blocks UK (L) and (R) can then be removed. (Fig. 19)
- 14-4 PS1 Circuit Board**
- 14-4-1 Remove the five (5) screws marked [R4a], cut the five (5) cord holders on the PS1 circuit board side. The PS1 circuit board can then be removed. (Fig. 19)
- 14-5 PS2 Circuit Board**
- 14-5-1 Remove the five (5) screws marked [R4b], cut the three (3) cord holders on the PS2 circuit board side. The PS2 circuit board can then be removed. (Fig. 19)

- [7c]: Bind Head Tapping Screw-B 3.0X8 MFZN2Y (EP600250)
- [R4]: Bind Head Tapping Screw-B 3.0X6 MFZN2Y (EP600130)
- [240]: Bind Head Tapping Screw-P 3.0X16 (MFZN2BL)

(Fig. 19)

A-15. Keys (White and Black Keys)

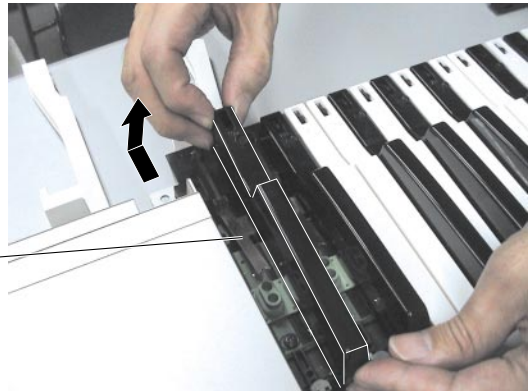
- 15-1 Open the panel assembly. (See procedure A-5.)
- 15-2 Remove the upper keyboard unit if replacing the keys on the lower keyboard unit. (See procedure A-12.)
- 15-3 Remove the key stopper L or H, depending on the key to be replaced. To remove the key stopper L, remove the two (2) screws marked [240a] and the screw marked [240b]. (Fig. 19)
To remove the key stopper H, remove the screw marked [240b] and the two (2) screws marked [240c]. (Fig. 19)



(Photo. 8)

- 15-4 White Key
 - 15-4-1 Place the white key in the horizontal position, and remove it, lifting while pushing rearward. (Photo. 8)
- * **At that time, a key guide cap may come off together. (Photo. 10)**

- 15-5 Black Key
 - 15-5-1 Remove the right and left white keys on the sides of the black key to be removed. (Photo. 8)
 - 15-5-2 Place the black key in the horizontal position, and remove it, lifting while pushing rearward. (Photo. 9)



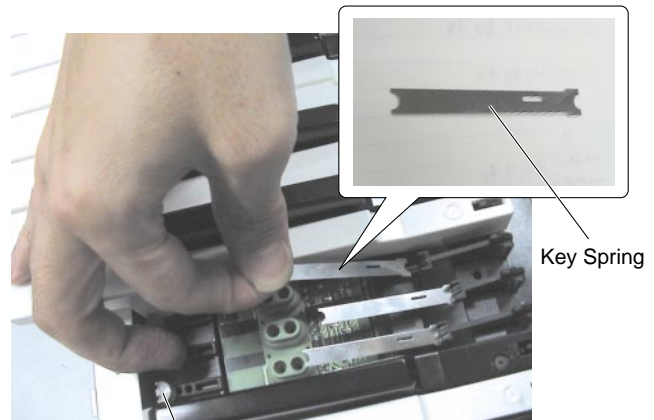
Key Spring

(Photo. 9)

A-16. Installing Keys (White and Black Keys)

- 16-1 White Key
 - 16-1-1 Fit the white key into the frame while keeping it horizontal and pushing it down and rearward. (Photo. 8)
- * **At that time, pay attention not to bend the key guide cap by lowering the front part of the white key too much. (Photo. 10)**
- * **Install the black key first without the right and left white keys, then install the white key.**

- 16-2 Black Key
 - 16-2-1 Install the black keys in the same manner as the white keys. (See Section A-16-1.) (Photo. 9)
 - 16-2-2 Install the removed key stopper L or H. (Fig. 19)



Key Guide Cap

Key Spring

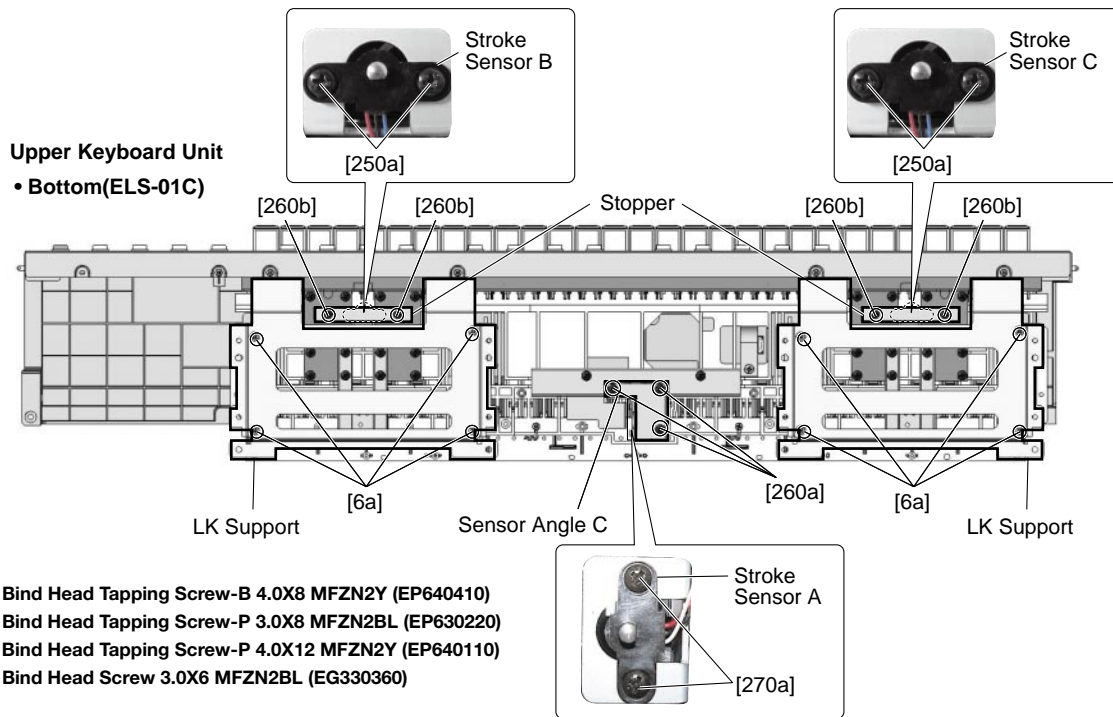
(Photo. 10)

A-17. Disassembling Upper Keyboard Unit

**A-17-1 Stroke Sensor (Time required: About 22 minutes)
(Only for ELS-01C)**

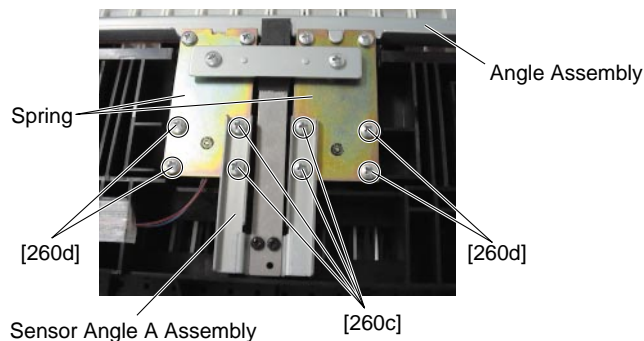
- 17-1-1 Remove the upper keyboard unit.
(See procedure A-12.)
- 17-1-2 Remove the three (3) screws marked [260a]. The sensor angle C can then be removed. (Fig. 20)
- 17-1-3 Remove the two (2) screws marked [270a]. The stroke sensor A can then be removed. (Fig. 20)
- 17-1-4 Remove the upper front rail assembly.
(See procedure A-14.)
- 17-1-5 Remove the eight (8) screws marked [6a]. The two (2) LK supports can then be removed. (Fig. 20)

- 17-1-6 Remove the four (4) screws marked [260b]. The two (2) stoppers can then be removed. (Fig. 20)
- 17-1-7 Remove the eight (8) screws marked [260c]. The two (2) sensor angle A assemblies can then be removed. (Photo. 11)
- 17-1-8 Remove the eight (8) screws marked [260d]. The angle assembly and the four (4) springs can then be removed. (Photo. 11)
- 17-1-9 Remove the four (4) screws marked [250a]. The stroke sensors B and C, and the stroke sensor can then be removed. (Fig. 20)



- [6a]: Bind Head Tapping Screw-B 4.0X8 MFZN2Y (EP640410)
- [250a]: Bind Head Tapping Screw-P 3.0X8 MFZN2BL (EP630220)
- [260]: Bind Head Tapping Screw-P 4.0X12 MFZN2Y (EP640110)
- [270a]: Bind Head Screw 3.0X6 MFZN2BL (EG330360)

(Fig. 20)



- [260]: Bind Head Tapping Screw-P 4.0X12 MFZN2Y (EP640110)

(Photo. 11)

A-17-2 Rubber Contact

17-2-1 Open the panel assembly. (See procedure A-5.)

17-2-2 Remove the key stoppers and keys listed in the table below, corresponding to the rubber contacts to be removed. (Fig. 21-1) (Photo. 13, 15, 17) (See Sections A-15-3 ~ 5.)

17-2-3 Pull out the rubber contact. (Fig. 21-1)

* **The orientation of the rubber contacts on the keyboard is previously designated.**

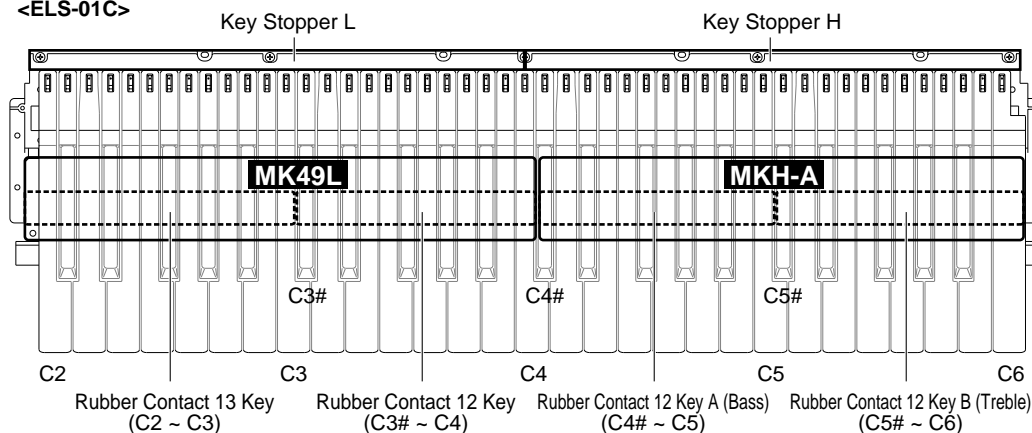
Pay attention not to install the rubber contacts inversely. (Fig. 21-2)

* **In the installation, install the rubber contact by pushing it with the end of a clip. (Photo. 12)**

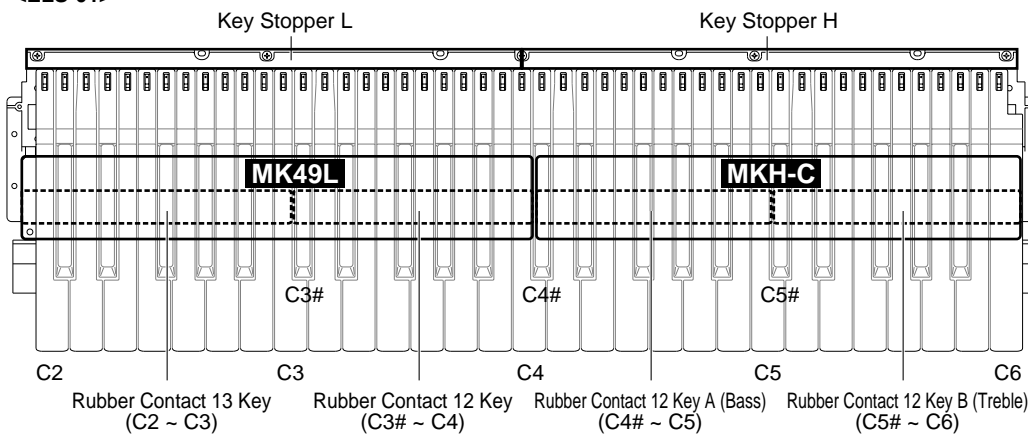
	Rubber Contact 13 Key	Rubber Contact 12 Key	Rubber Contact 12 Key A (Bass)	Rubber Contact 12 Key B (Treble)
Applicable Circuit Board	MK49L (ELS-01/ELS-01C)	MK49L (ELS-01/ELS-01C)	MKH-A (ELS-01C) MKH-C (ELS-01)	MKH-A (ELS-01C) MKH-C (ELS-01)
Key stopper to be removed	L	L, H	L, H	H
Keyboard to be removed	C2 ~ C3	C3 ~ C4	C4 ~ C5	C5 ~ C6

• Upper Keyboard

<ELS-01C>



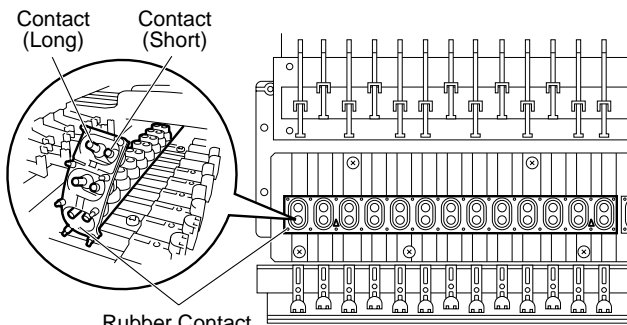
<ELS-01>



(Fig. 21-1)



(Photo. 12)

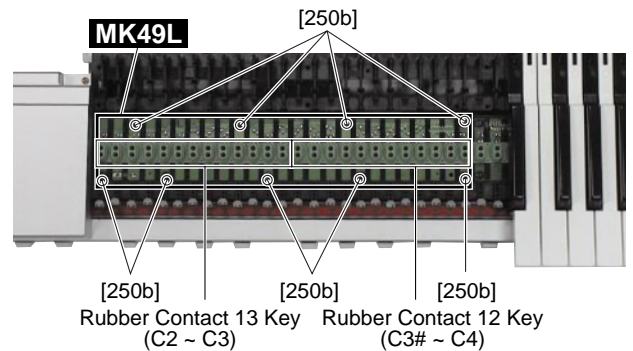


(Fig. 21-2)

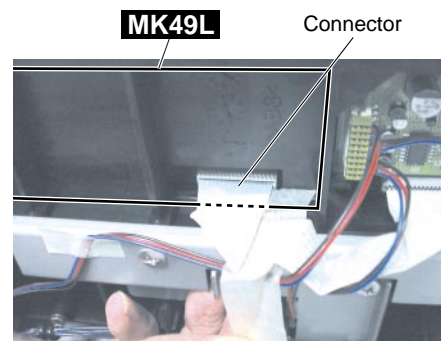
A-17-3 MK49L Circuit Board
(Time required: About 22 minutes)

- 17-3-1 Remove the upper keyboard unit.
 (See procedure A-12.)
- 17-3-2 Remove the key stoppers L and H.
 (See procedure A-15-3.)
- 17-3-3 Remove the keys and the key springs from C2 to C4. (See procedure A-15-4, A-15-5.)
- 17-3-4 Remove the nine (9) screws marked [250b], disconnect the connector from the underside of the upper keyboard unit. The MK49L circuit board can then be removed. (Photo. 13, 14)

* **The rubber contacts are not the component of the MK49L circuit board. In replacing the MK49L circuit board, remove the rubber contacts from the circuit board in the main unit and install the contacts to the new circuit board.**



[250b]: Bind Head Tapping Screw-P 3.0X8 MFZN2BL (EP630220)
 (Photo. 13)

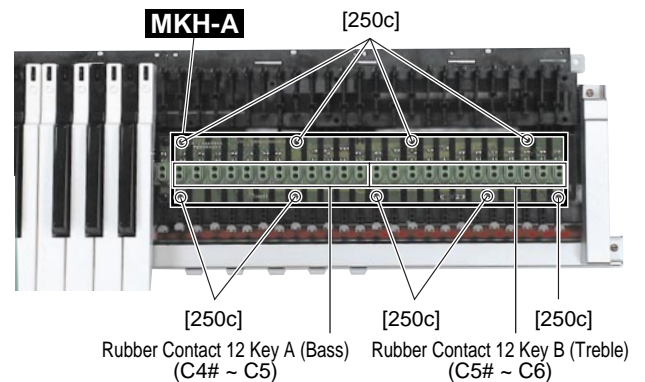


(Photo. 14)

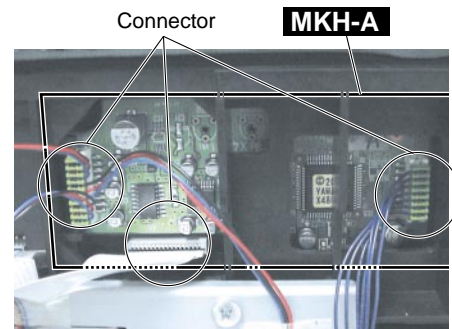
A-17-4 MKH-A Circuit Board
(Time required: About 22 minutes)
(Only for ELS-01C)

- 17-4-1 Remove the upper keyboard unit.
 (See procedure A-12.)
- 17-4-2 Remove the key stoppers L and H.
 (See procedure A-15-3.)
- 17-4-3 Remove the keys and the key springs from C4 to C6. (See procedure A-15-4, A-15-5.)
- 17-4-4 Remove the nine (9) screws marked [250c], disconnect the three (3) connectors from the underside of the upper keyboard unit. The MKH-A circuit board can then be removed. (Photo. 15, 16)

* **The rubber contacts are not the component of the MKH-A circuit board. In replacing the MKH-A circuit board, remove the rubber contacts from the circuit board in the main unit and install the contacts to the new circuit board.**



[250c]: Bind Head Tapping Screw-P 3.0X8 MFZN2BL (EP630220)
 (Photo. 15)



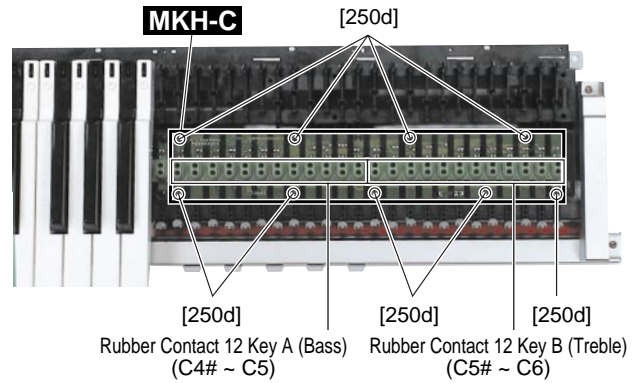
(Photo. 16)

A-17-5 MKH-C Circuit Board

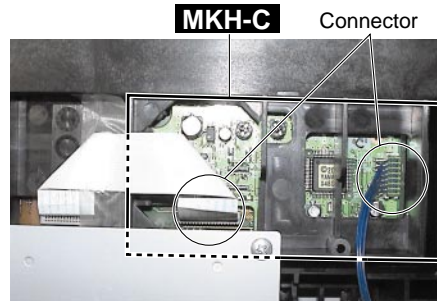
(Time required: About 22 minutes) (Only for ELS-01)

- 17-5-1 Remove the upper keyboard unit.
(See procedure A-12.)
- 17-5-2 Remove the key stoppers L and H.
(See procedure A-15-3.)
- 17-5-3 Remove the keys and the key springs from C4 to C6. (See procedure A-15-4, A-15-5.)
- 17-5-4 Remove the nine (9) screws marked [250d], disconnect the two (2) connectors from the underside of the upper keyboard unit. The MKH-C circuit board can then be removed. (Photo. 17, 18)

* **The rubber contacts are not the component of the MKH-C circuit board. In replacing the MKH-C circuit board, remove the rubber contacts from the circuit board in the main unit and install the contacts to the new circuit board.**



[250d]: Bind Head Tapping Screw-P 3.0X8 MFZN2BL (EP630220)
(Photo. 17)



(Photo. 18)

A-18. Disassembling Lower Keyboard Unit

A-18-1 Stroke Sensor

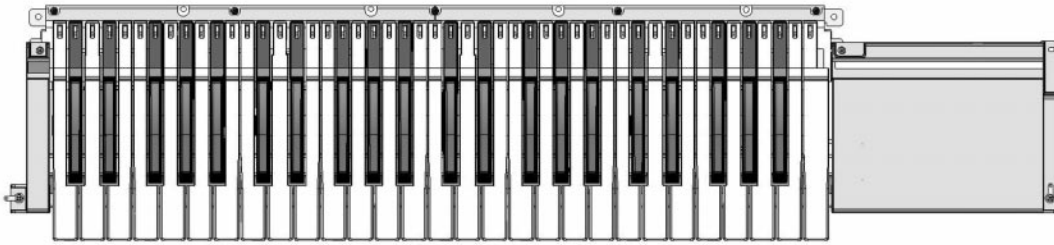
**(Time required: About 26 minutes)
(Only for ELS-01C)**

- 18-1-1 Remove the upper keyboard unit.
(See procedure A-12.)
- 18-1-2 Remove the lower keyboard unit.
(See procedure A-13.)
- 18-1-3 Remove the four (4) screws marked [6b] and the two (2) screws marked [7b]. The MK bottom shield plate can then be removed. (Fig. 22)
- 18-1-4 Remove the three (3) screws marked [260e]. The sensor angle C can then be removed. (Fig. 22)
- 18-1-5 Remove the two (2) screws marked [270b]. The stroke sensor A can then be removed. (Fig. 22)

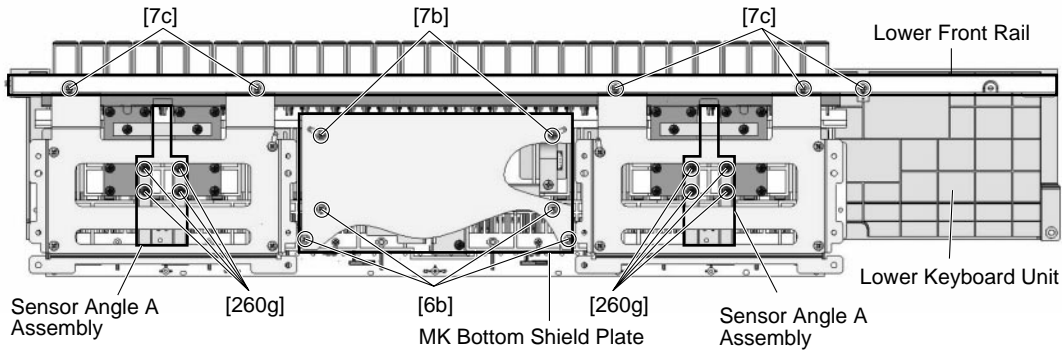
- 18-1-6 Remove the five (5) screws marked [7c]. The lower front rail can then be removed. (Fig. 22)
- 18-1-7 Remove the eight (8) screws marked [6c]. The two (2) LK supports can then be removed. (Fig. 22)
- 18-1-8 Remove the four (4) screws marked [260f]. The two (2) stoppers can then be removed. (Fig. 22)
- 18-1-9 Remove the eight (8) screws marked [260g]. The two (2) sensor angle A assemblies can then be removed. (Photo. 19)
- 18-1-10 Remove the eight (8) screws marked [260h]. The angle assembly and the four (4) springs can then be removed. (Photo. 19)
- 18-1-11 Remove the four (4) screws marked [250e]. The stroke sensors B and C, and the stroke sensor can then be removed. (Fig. 22)

Lower Keyboard Unit

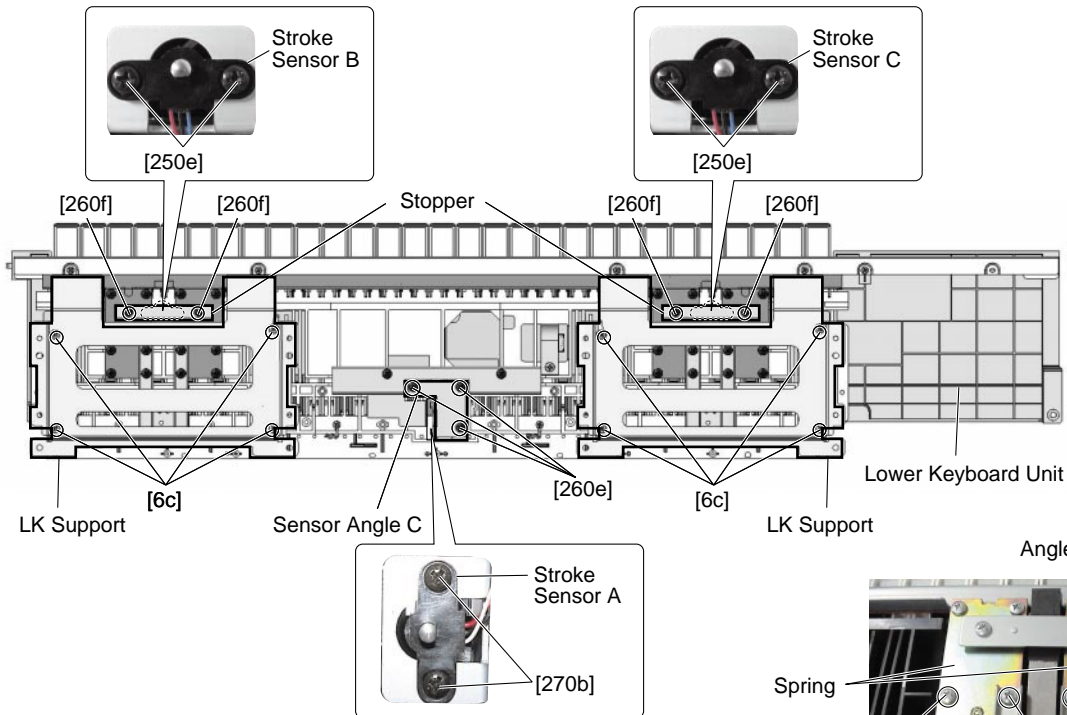
• Top (ELS-01/ELS-01C)



• Bottom (ELS-01/ELS-01C)

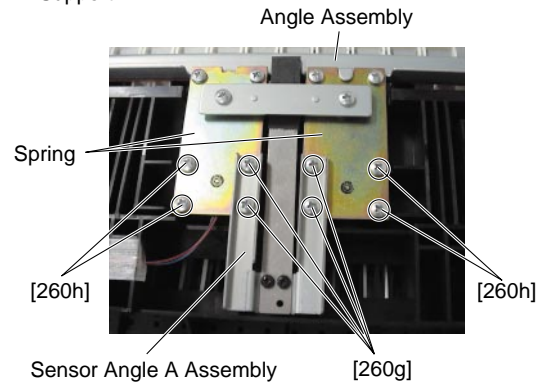


• Bottom (ELS-01C)



- [6]: Bind Head Tapping Screw-B 4.0X8 MFZN2Y (EP640410)
- [7]: Bind Head Tapping Screw-B 3.0X8 MFZN2Y (EP600250)
- [250e]: Bind Head Tapping Screw-P 3.0X8 MFZN2BL (EP630220)
- [260]: Bind Head Tapping Screw-P 4.0X12 MFZN2Y (EP640110)
- [270b]: Bind Head Screw 3.0X6 MFZN2BL (EG330360)

(Fig. 22)



- [260]: Bind Head Tapping Screw-P 4.0X12 MFZN2Y (EP640110)

(Photo. 19)

A-18-2 Rubber Contact

18-2-1 Open the panel assembly. (See procedure A-5.)

18-2-2 Remove the upper keyboard unit. (See procedure A-12.)

18-2-3 Remove the key stoppers and keys listed in the table below, corresponding to the rubber contacts to be removed. (Fig. 23-1) (Photo. 21, 23, 25) (See procedure A-15-3 ~ 5.)

18-2-4 Pull out the rubber contact. (Fig. 23-1)

* **The orientation of the rubber contacts on the keyboard is previously designated.**

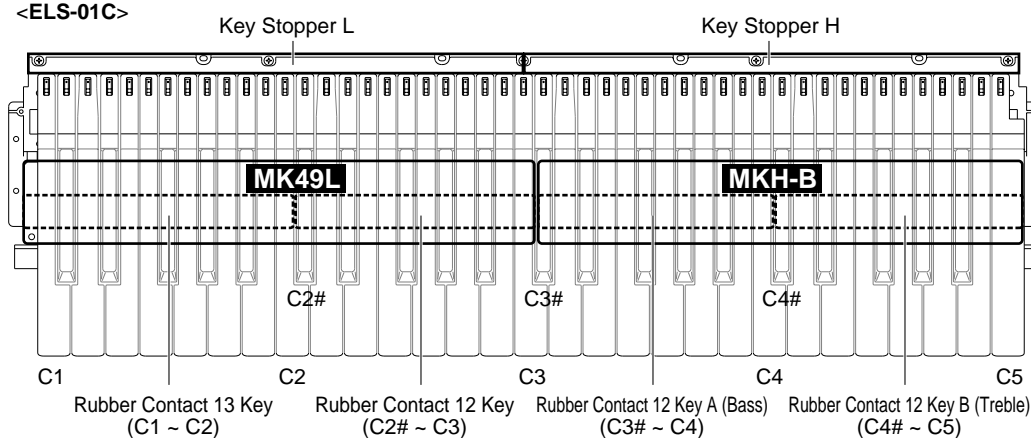
Pay attention not to install the rubber contacts inversely. (Fig. 23-2)

* **In the installation, install the rubber contact by pushing it with the end of a clip. (Photo. 20)**

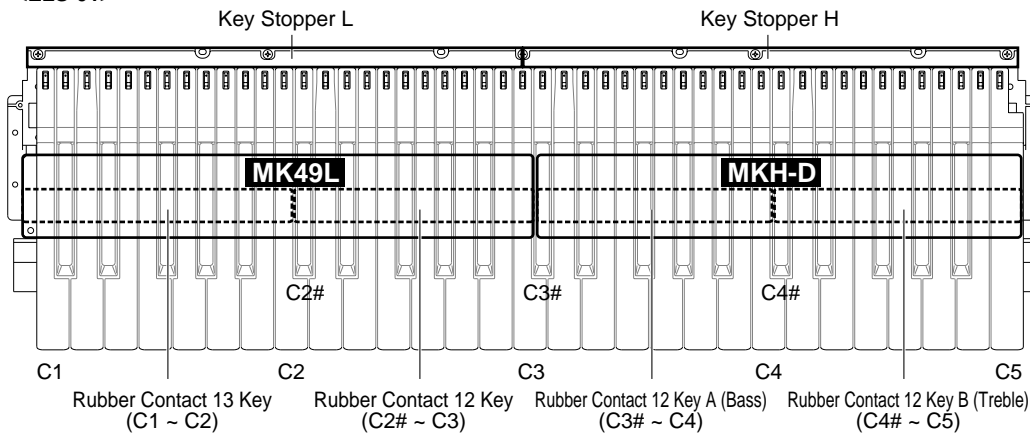
	Rubber Contact 13 Key	Rubber Contact 12 Key	Rubber Contact 12 Key A (Bass)	Rubber Contact 12 Key B (Treble)
Applicable Circuit Board	MK49L (ELS-01/ELS-01C)	MK49L (ELS-01/ELS-01C)	MKH-B (ELS-01C) MKH-D (ELS-01)	MKH-B (ELS-01C) MKH-D (ELS-01)
Key stopper to be removed	L	L, H	L, H	H
Keyboard to be removed	C1 ~ C2	C2 ~ C3	C3 ~ C4	C4 ~ C5

• Lower Keyboard

<ELS-01C>



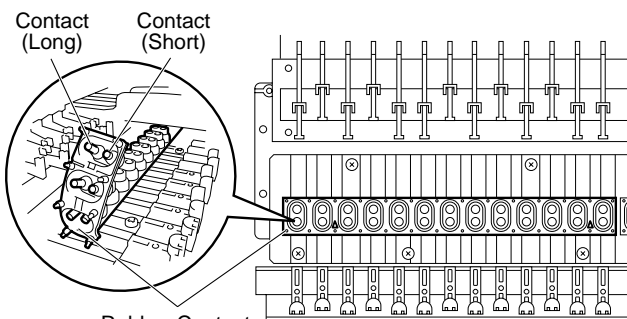
<ELS-01>



(Fig. 23-1)



(Photo. 20)



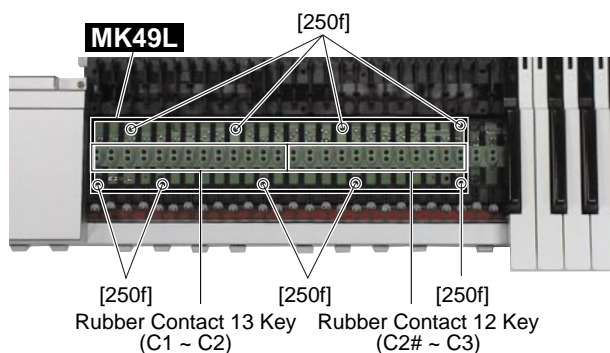
(Fig. 23-2)

A-18-3 MK49L Circuit Board

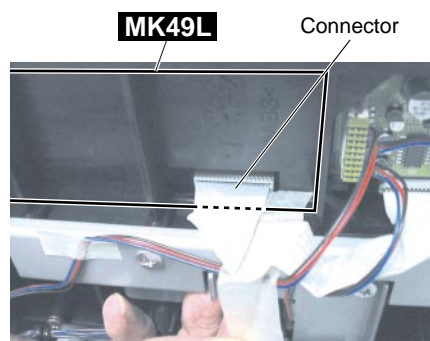
(Time required: About 25 minutes)

- 18-3-1 Remove the upper keyboard unit.
(See procedure A-12.)
- 18-3-2 Remove the lower keyboard unit.
(See procedure A-13.)
- 18-3-3 Remove the MK bottom shield plate.
(See procedure A-18-1-3.)
- 18-3-4 Remove the key stoppers L and H.
(See procedure A-15-3.)
- 18-3-5 Remove the keys and the key springs from C1 to C3.
(See procedure A-15-4, A-15-5.)
- 18-3-6 Remove the nine (9) screws marked [250f], disconnect the connector from the underside of the lower keyboard unit. The MK49L circuit board can then be removed. (Photo. 21, 22)

* **The rubber contacts are not the component of the MK49L circuit board. In replacing the MK49L circuit board, remove the rubber contacts from the circuit board in the main unit and install the contacts to the new circuit board.**



[250f]: Bind Head Tapping Screw-P 3.0X8 MFZN2BL (EP630220)
(Photo. 21)



(Photo. 22)

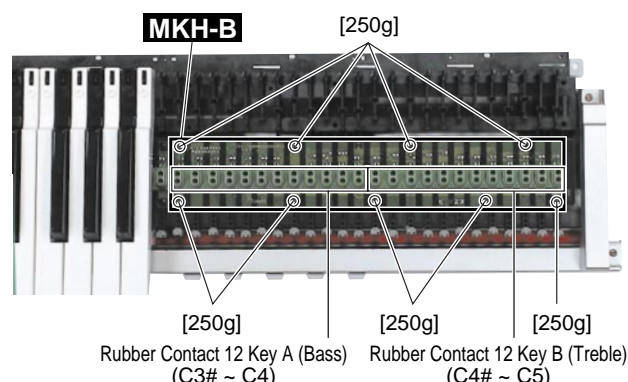
A-18-4 MKH-B Circuit Board

(Time required: About 25 minutes)

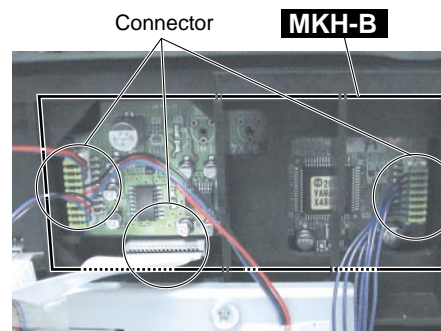
(Only for ELS-01C)

- 18-4-1 Remove the upper keyboard unit.
(See procedure A-12.)
- 18-4-2 Remove the lower keyboard unit.
(See procedure A-13.)
- 18-4-3 Remove the MK bottom shield plate.
(See procedure A-18-1-3.)
- 18-4-4 Remove the key stoppers L and H.
(See procedure A-15-3.)
- 18-4-5 Remove the keys and the key springs from C3 to C5.
(See Sections A-15-4, A-15-5.)
- 18-4-6 Remove the nine (9) screws marked [250g], disconnect the three (3) connectors from the underside of the lower keyboard unit. The MKH-B circuit board can then be removed. (Photo. 23, 24)

* **The rubber contacts are not the component of the MKH-B circuit board. In replacing the MKH-B circuit board, remove the rubber contacts from the circuit board in the main unit and install the contacts to the new circuit board.**



[250g]: Bind Head Tapping Screw-P 3.0X8 MFZN2BL (EP630220)
(Photo. 23)



(Photo. 24)

A-18-5 MKH-D Circuit Board

(Time required: About 25 minutes) (Only for ELS-01)

- 18-5-1 Remove the upper keyboard unit.
(See procedure A-12.)
- 18-5-2 Remove the lower keyboard unit.
(See procedure A-13.)
- 18-5-3 Remove the MK bottom shield plate.
(See procedure A-18-1-3.)
- 18-5-4 Remove the key stoppers L and H.
(See procedure A-15-3.)
- 18-5-5 Remove the keys and the key springs from C3 to C5.
(See procedure A-15-4, A-15-5.)

18-5-6 Remove the nine (9) screws marked [250h], disconnect the two (2) connectors from the underside of the lower keyboard unit. The MKH-D circuit board can then be removed. (Photo. 25, 26)

* **The rubber contacts are not the component of the MKH-D circuit board. In replacing the MKH-D circuit board, remove the rubber contacts from the circuit board in the main unit and install the contacts to the new circuit board.**

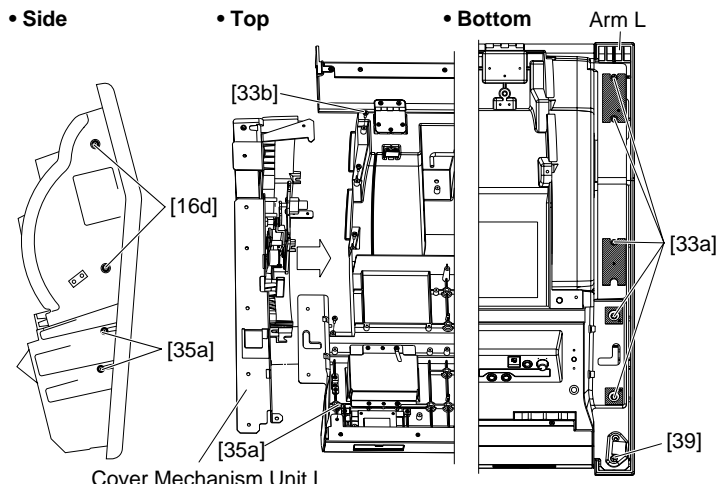
A-19. Cover Mechanism Unit L and R

(Time required: About 12 minutes)

- 19-1 Remove the cover. (See procedure A-3.)
- 19-2 Remove the upper unit. (See procedure A-10.)
- 19-3 Remove the five (5) screws marked [33a] and the screw marked [39]. The arm L can then be removed. (Fig. 24)
- 19-4 Remove the two (2) screws marked [16d], the three (3) screws marked [35a], and the screw marked [33b]. The cover mechanism unit L can then be removed. (Fig. 24)

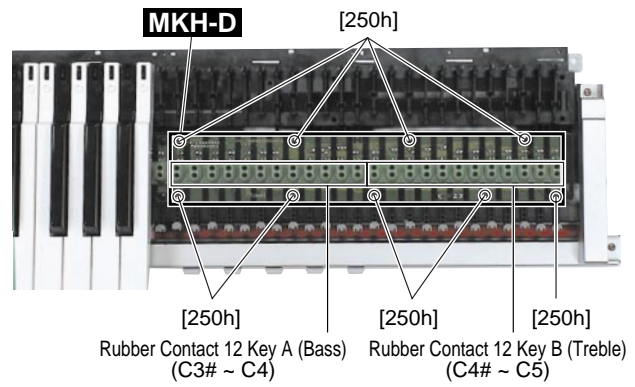
* **Note that the key cover assembly cannot open unless the bearing is fitted into the lower case as shown in the photo when reassembled. (Photo. 27)**

* **The cover mechanism unit R can be removed in the same way.**

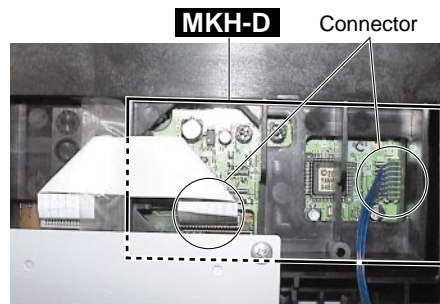


- [16d]: Bind Head Screw 5.0X8 MFZN2BL (WC292800)
- [33]: Bind Head Tapping Screw-B 4.0X12 MFZN2Y (VA914400)
- [35a]: Bind Head Screw 5.0X8 MFZN2BL (WC292800)
- [39]: Flat Head Tapping Screw-B 4.0X16 MFZN2Y (WD272400)

(Fig. 24)



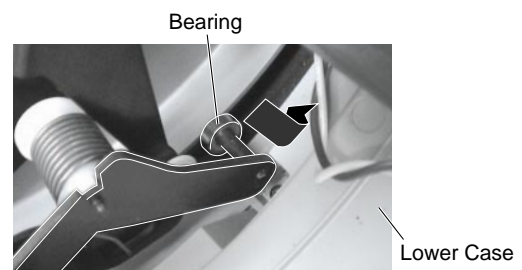
[250h]: Bind Head Tapping Screw-P 3.0X8 MFZN2BL (EP630220)
(Photo. 25)



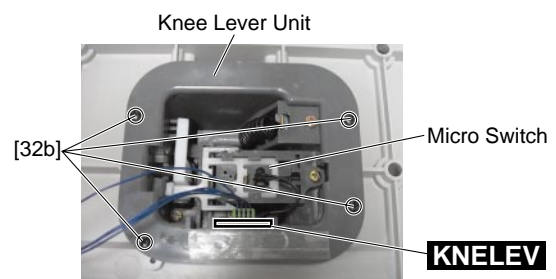
(Photo. 26)

A-20. Knee Lever Unit and KNELEV Circuit Board
(Time required: About 17 minutes)

- 20-1 Lift the upper unit. (See procedure A-11.)
- 20-2 Remove the upper and the lower keyboard units.
(See procedure A-12, A-13.)
- 20-3 Remove the four (4) screws marked [32b]. The knee lever unit can then be removed. (Photo. 28)
- 20-4 Remove the solder on the connector assembly of the micro switch and pull up the KNELEV circuit board. (Photo. 28)



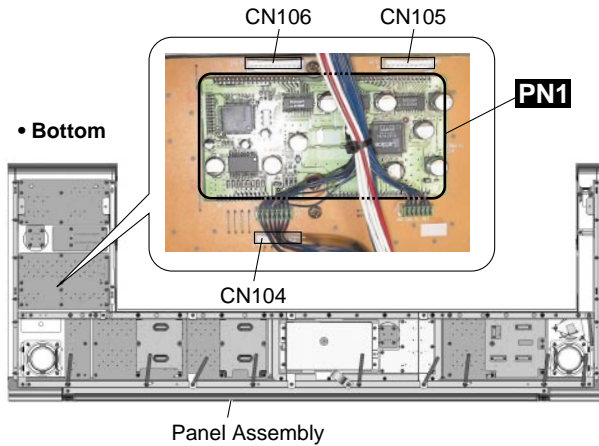
(Photo. 27)



[32b]: Bind Head Tapping Screw-B 3.0X10 MFZN2BL (EP600140)
(Photo. 28)

A-21. Shaft Unit L and R
(Time required: About 5 minutes)

- 21-1 Remove the key cover assembly. (See procedure A-3.)
- 21-2 Open the panel assembly. (See procedure A-5.)



(Fig. 25)

A-22. Front Rail (Time required: About 4 minutes)

- 22-1 Remove the key cover assembly. (See procedure A-3.)
- 22-2 Open the panel assembly. (See procedure A-5.)
- 22-3 Remove the ten (10) screws marked [31a] and the two (2) screws marked [35b]. The front rail can then be removed. (Fig. 26)

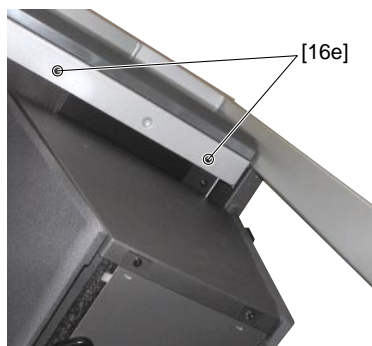
A-23 Displacing DM Box Unit
(Time required: About 9 minutes)

- 23-1 Lift the upper unit. (See procedure A-11.)
- 23-2 Remove the AC cord and the cable 6 on the back. (Fig. 27)
- 23-3 Remove the four (4) cap screws marked [16e]. (Photo. 30)
- 23-4 Raise the back of the DM box unit and displace the unit to the front. (Photo. 31)

A-24 DM Cover Assembly
(Time required: About 12 minutes)

- 24-1 Displace the DM box unit to the front. (See procedure A-23.)
 - 24-2 Remove the twenty-two (22) screws marked [31b]. The DM cover assembly can then be removed. (Photo. 32)
- * Use a ratchet when removing the screws on the back for easy removal.

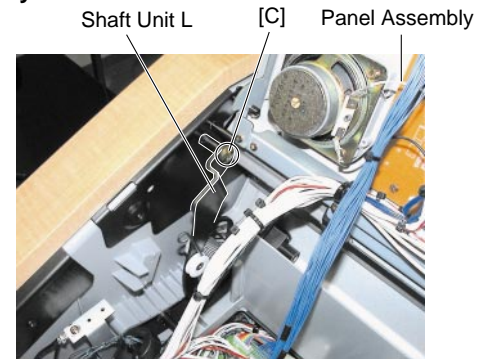
* Same as the left



[16e]: Cap Screw 5.0X14 MFZN2BL (WD033900)
 (Photo. 30)

- 21-3 Disconnect the relay connector in the PSW1, PSW2 connector assembly. (See procedure A-10-8.)
- 21-4 Disconnect the CN104, CN105, and CN106 connectors in the PN1 circuit board mounted on the panel assembly. The panel assembly can then be removed. (Fig. 25)
- 21-5 Remove the screw marked [C]. The shaft unit L can then be removed. (Photo. 29)

* The shaft unit R can be removed in the same way.



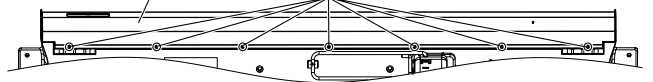
(Photo. 29)

Lower Case Assembly

• Top

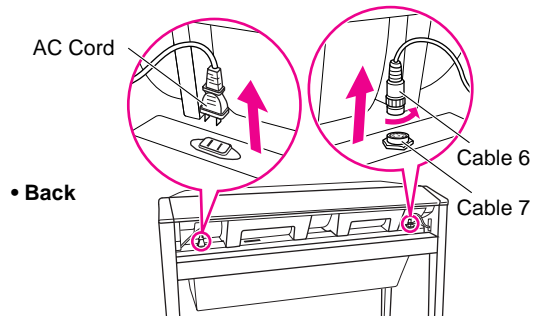


• Bottom



[31a]: Bind Head Tapping Screw-B 3.0X8 MFZN2BL (EP600190)
 [35b]: Bind Head Screw 5.0X8 MFZN2BL (WC292800)

(Fig. 26)



(Fig. 27)

DM Box Unit



(Photo. 31)

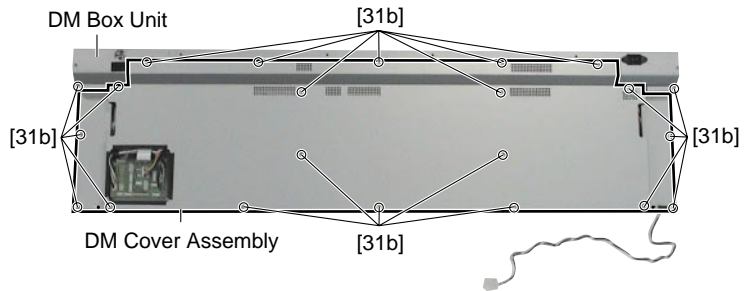
A-25 AC Cord, MSEQ Cable

(Time required: About 13 minutes)

- 25-1 Lift the upper unit. (See procedure A-11.)
- 25-2 Remove the AC cord and the cable 6 on the back. (Fig. 27)
- 25-3 Remove the four (4) cap screws marked [16e]. (Photo. 30)
- 25-4 Displace the DM box unit to the front. (See procedure A-23.)
- 25-5 Remove the DM cover assembly (See procedure A-24.)
- 25-6 Remove CN 4 from the PRM (DM) circuit board. (Fig. 28)
- 25-7 Remove the three (3) screws marked [32c]. The three (3) nylon clamps can then be removed. (Fig. 28)
- 25-8 Remove the CN 1 from the MPS circuit board. (Fig. 28)
- 25-9 Remove the two (2) screws marked [32d]. The AC cord and the MSEQ cable can then be removed with the AC outlet angle. (Fig. 28)

A-26 DM Box Unit (Time required: About 14 minutes)

- 26-1 Lift the upper unit. (See procedure A-11.)
- 26-2 Remove the AC cord on the back. The cable 6 can then be removed. (Fig. 27)
- 26-3 Remove the four (4) cap screws marked [16e]. (Photo. 30)
- 26-4 Displace the DM box unit to the front. (See procedure A-23.)
- 26-5 Remove the DM cover assembly. (See procedure A-24.)
- 26-6 Remove the AC cord and the MSEQ cable. (See procedure A-25.)
- 26-7 Remove the DM box unit. (Photo. 31)



[31b]: Bind Head Screw 3.0X6 MFZN2Y (EG330040)

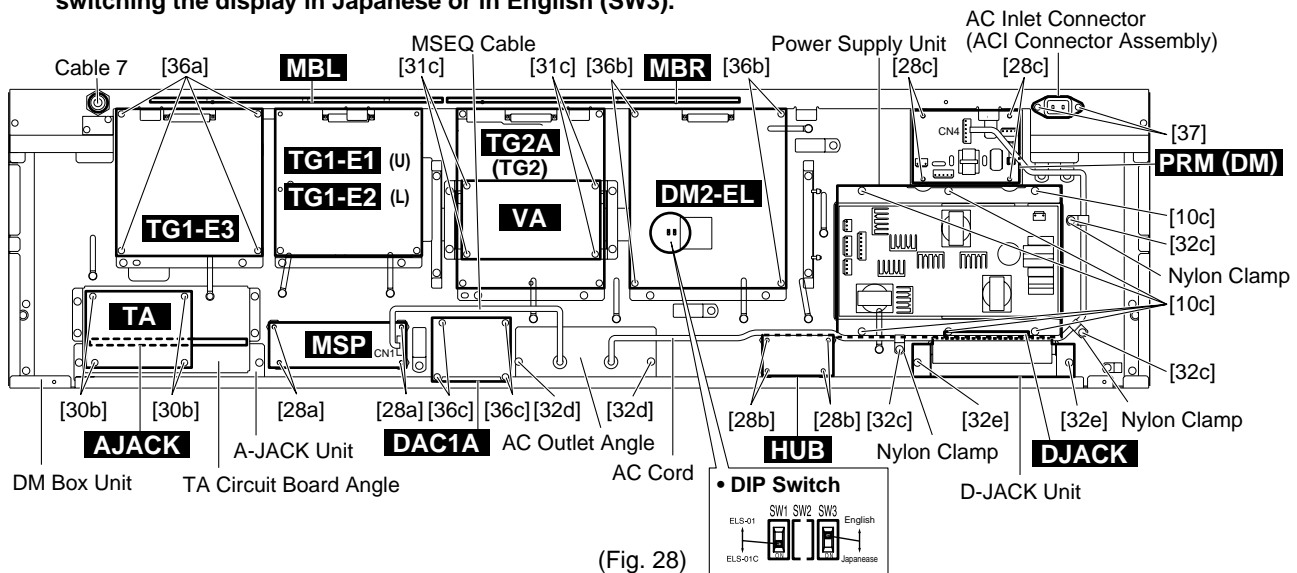
(Photo. 32)

A-27. Circuit Boards and Units in DM Box Unit Section (Time required: About 13 minutes each)

27-1 Displace the DM box unit to the front and remove the DM cover assembly. Then, the following circuit boards and units in the DM box unit can be removed by removing the screws (PCB supports) listed in the following table:

Circuit Board and Unit Name	Ref No.	Screw	QTY	Fig. (Photo)
TG1-E3 (Only for ELS-01C)	[36a]	Bind Head Tapping Screw-B 3.0X8 MFZN2BL (EP600190)	4	28
VA (Only for ELS-01C)	[31c]	Bind Head Tapping Screw-B 3.0X8 MFZN2BL (EP600190)	4	28 (44)
DM2-EL *	[36b]	Bind Head Tapping Screw-B 3.0X8 MFZN2BL (EP600190)	4	28
TA	[30b]	Bind Head Tapping Screw-B 3.0X6 MFZN2Y (EP600130)	4	28
MSP	[28a]	PCB Support (CB046030)	4	28
DAC1A	[36c]	Bind Head Tapping Screw-B 3.0X8 MFZN2BL (EP600190)	4	28
HUB (Only for ELS-01C)	[28b]	PCB Support (CB046030)	4	28
D-JACK Unit	[32e]	Bind Head Tapping Screw-1 3.5X12 MFZN2Y (EP030240)	2	28
Power Supply Unit	[10c]	Bind Head Tapping Screw-B 3.0X8 MFZN2BL (EP600190)	6	28
PRM (DM)	[28c]	PCB Support (CB046030)	4	28
AC Inlet Connector (ACI Connector Assembly)	[37]	Flat Head Screw 3.0X8 MFZN2BL (VB939700)	2	28

- * When DM2-EL circuit board is replaced, data on Internet settings and LCD calibration may be lost.
- * DM2-EL circuit board has internal DIP switches for switching the model ELS-01 or ELS-01C (SW1) and for switching the display in Japanese or in English (SW3).



(Fig. 28)

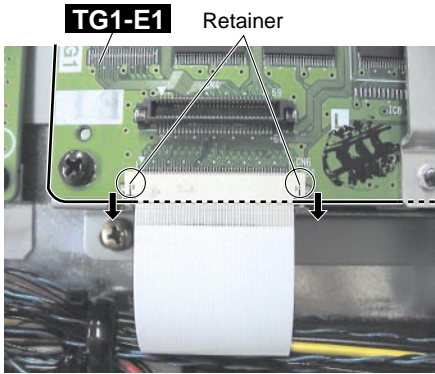
A-27-2 TG1-E1 Circuit Board

(Time required: About 14 minutes)

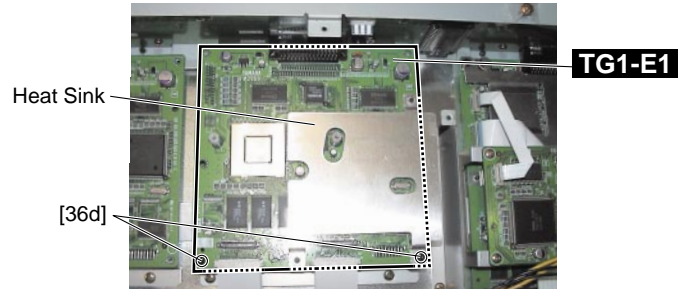
27-2-1 Remove the two (2) screws marked [36d] and pull out the TG1-E1 circuit board to the front. (Photo. 33)

* **To remove the cable, release the retainer of the connector in the direction of the arrow shown in the photo and pull out the connector. (Photo 34)**

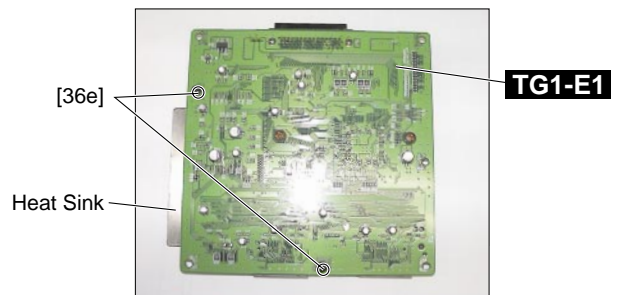
27-2-2 Remove the two (2) screws marked [36e]. The heat sink can then be removed from the TG1-E1 circuit board. (Fig. 28) (Photo .35)



(Photo. 34)



[36d]: Bind Head Tapping Screw-B 3.0X8 MFZN2BL (EP600190)
(Photo. 33)



[36e]: Bind Head Tapping Screw-B 3.0X8 MFZN2BL (EP600190)
(Photo. 35)

A-27-3 TG1-E2 Circuit Board

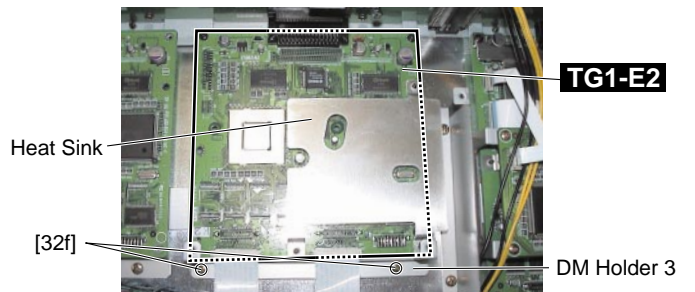
(Time required: About 15 minutes)

27-3-1 Remove the TG-E1 circuit board.
(See procedure A-27-2.)

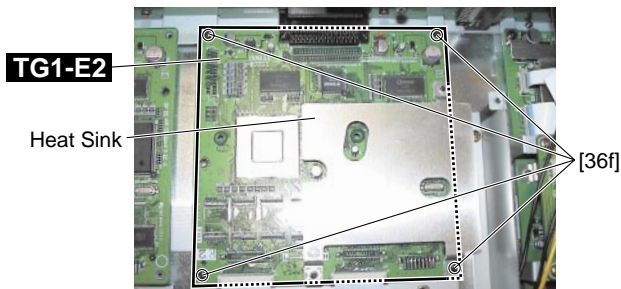
27-3-2 Remove the two (2) screws marked [32d]. The DM holder 3 can then be removed. (Fig. 28) (Photo. 36)

27-3-3 Remove the four (4) screws marked [36f] and pull out the TG1-E2 circuit board to the front. (Fig. 28) (Photo. 37)

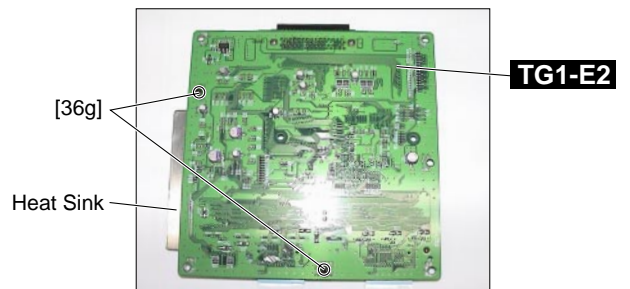
27-3-4 Remove the two (2) screws marked [36g]. The heat sink can then be removed from the TG1-E2 circuit board. (Fig. 28) (Photo .38)



[32f]: Bind Head Tapping Screw-1 3.5X12 MFZN2Y (EP030240)
(Photo. 36)



[36f]: Bind Head Tapping Screw-B 3.0X8 MFZN2BL (EP600190)
(Photo. 37)



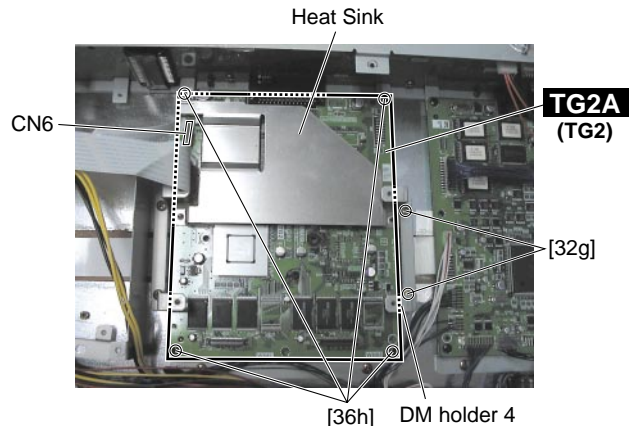
[36g]: Bind Head Tapping Screw-B 3.0X8 MFZN2BL (EP600190)
(Photo. 38)

A-27-4 TG2A (TG2) Circuit Board

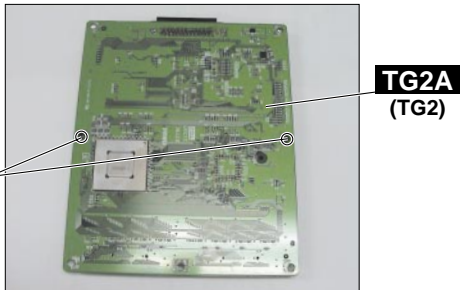
(Time required: About 15 minutes)

- 27-4-1 Remove the VA circuit board. (Fig. 28)
(See procedure A-27-1) (Only for ELS-01C)
- 27-4-2 Remove the two (2) screws marked [32e]. The DM holder 4 can then be removed. (Photo. 39)
(Only for ELS-01C)
- 27-4-3 Remove the four (4) screws marked [36h] and pull out the TG2A (TG2) circuit board to the front. (Fig. 28)
(Photo. 39)
- 27-4-4 Remove the two (2) screws marked [36i]. The heat sink can then be removed from the TG2A (TG2) circuit board. (Fig. 28) (Photo. 39, 40)

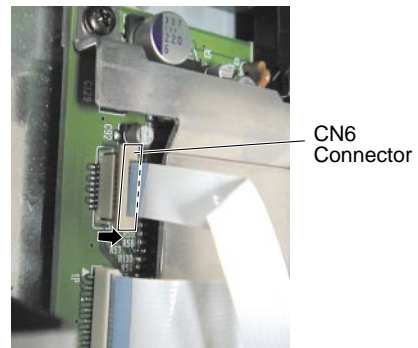
- * **Lift the retainer of the CN6 connector in the direction of the arrow shown in the photo and pull out the connector. (Photo. 41)**
- * **The TG2A circuit board has tapes attached to the CN6 connector. When replacing the circuit board, remove the tape and attach it again. (Fig. 28) (Photo. 39) (Only for ELS-01C)**



[32g]: Bind Head Tapping Screw-1 3.5X12 MFZN2Y (EP030240)
[36h]: Bind Head Tapping Screw-B 3.0X8 MFZN2BL (EP600190)
(Photo. 39)



[36i]: Bind Head Tapping Screw-B 3.0X8 MFZN2BL (EP600190)
(Photo. 40)

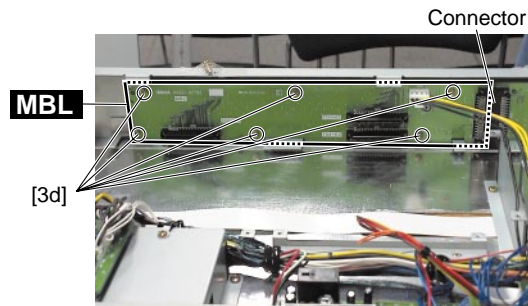


(Photo. 41)

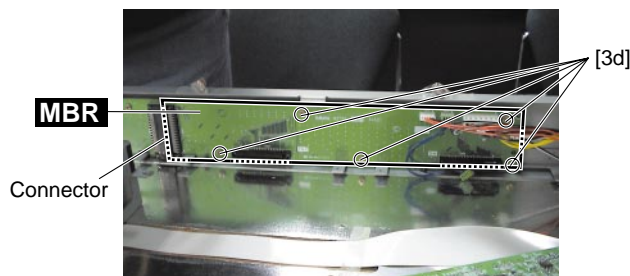
A-27-5 MBL Circuit Board and MBR Circuit Board

(Time required: About 19 minutes)

- 27-5-1 Remove the TG1-E3 circuit board and the VA circuit board. (See procedure A-27-1.) (Only for ELS-01C)
- 27-5-2 Remove the DM2-EL circuit board.
(See procedure A-27-1.)
- 27-5-3 Remove the TG1-E1 circuit board and the TG1-E2 circuit board. (See procedure A-27-2, A-27-3.)
- 27-5-4 Remove the TG2A (TG2) circuit board.
(See procedure A-27-4.)
- 27-5-5 Remove the eleven (11) screws marked [3d] to dismount the MBL and the MBR circuit boards together, then remove the connector section. (Fig. 28) (Photo. 42, 43)

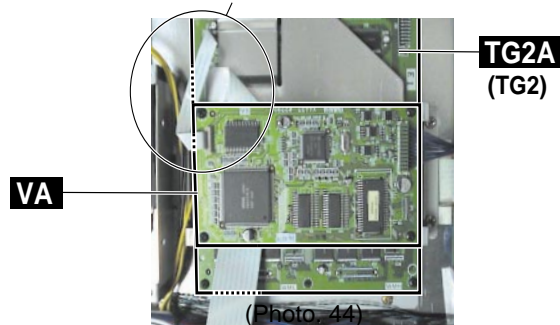


[3d]: Bind Head Tapping Screw-B 3.0X6 MFZN2Y (EP600130)
(Photo. 42)



[3d]: Bind Head Tapping Screw-B 3.0X6 MFZN2Y (EP600130)
(Photo. 43)

*The cable should be wired like this.



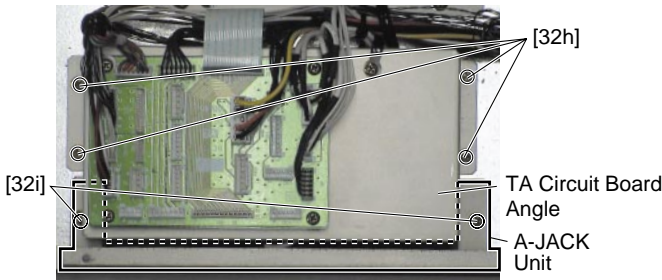
(Photo. 44)

A-27-6 A-JACK Unit and AJACK Circuit Board
(Time required: About 15 minutes)

27-6-1 Remove the four (4) screws marked [32f]. The TA circuit board angle can then be removed. (Fig. 28) (Photo. 45)

27-6-2 Remove the two (2) screws marked [32g]. The A-JACK unit can then be removed. (Fig. 28) (Photo. 45)

27-6-3 Remove the three (3) screws marked [8ca] and the four (4) hexagonal nuts marked [8e]. The AJACK circuit board can then be removed. (Fig. 28) (Photo. 46)

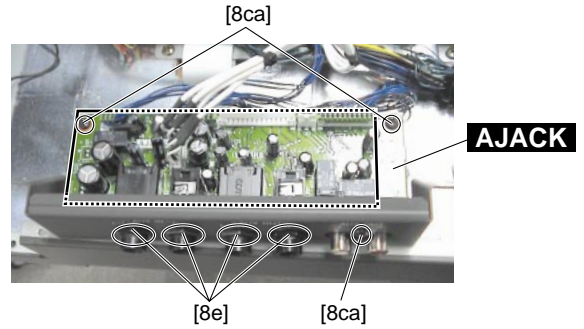


[32]: Bind Head Tapping Screw-1 3.5X12 MFZN2Y (EP030240)
 (Photo. 45)

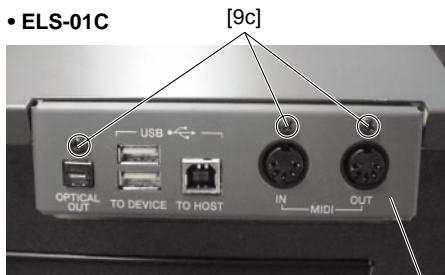
A-27-7 DJACK Circuit Board
(Time required: About 16 minutes)

27-7-1 Remove the D-JACK unit. (See procedure A-27-1.)

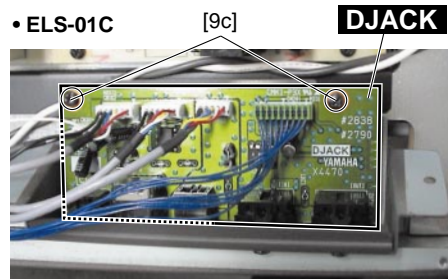
27-7-2 Remove the five (5) screws marked [9c]. The DJACK circuit board can then be removed. (Fig. 28) (Photo. 47, 48)



[8e]: Hexagonal Nut 12.0 14X2 MFZN2BL (VB508600)
 [8ca]: Bind Head Tapping Screw-B 3.0X8 MFZN2BL (EP600190)
 (Photo. 46)



[9c]: Bind Head Tapping Screw-B 3.0X8 MFZN2BL (EP600190)
 (Photo. 47)

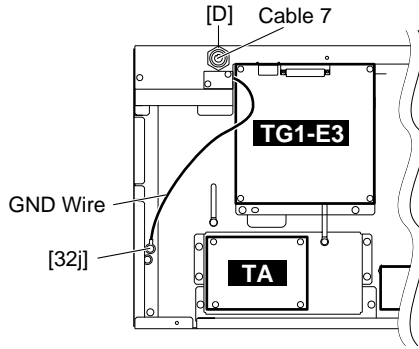


[9c]: Bind Head Tapping Screw-B 3.0X8 MFZN2BL (EP600190)
 (Photo. 48)

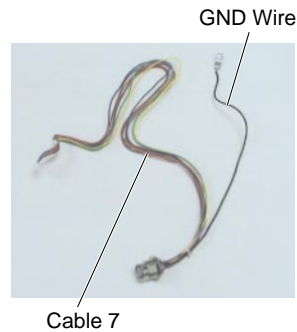
A-27-8 Cable 7 (Time required: About 14 minutes)

27-8-1 Remove the screw marked [32h]. The GND wire can then be removed. (Fig. 29) (Photo. 49)

27-8-2 Remove the hexagonal nut marked [D]. The cable 7 can then be removed. (Fig. 27, 28, 29) (Photo. 49)



[32j]: Bind Head Tapping Screw-1 3.5X12 MFZN2Y (EP030240)
(Fig. 29)



(Photo. 49)

B. Speaker Box Unit

B-1. Speaker Box Unit (Time required: 14 minutes)

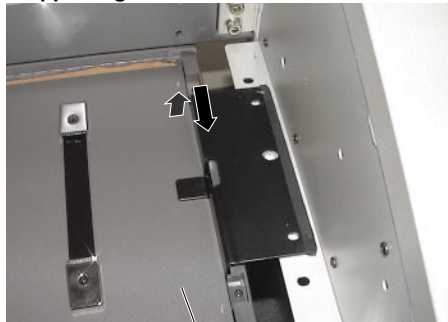
- 1-1 Lift the upper unit. (See procedure A-11.)
- 1-2 Remove the DM box unit. (See procedure A-26.)
- 1-3 Lift the speaker box unit and pull it out to the front. (Photo. 50)

B-2. AMP Unit (Time required: About 2 minutes)

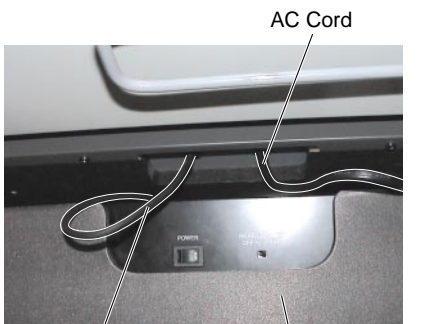
- 2-1 Remove the grille assembly F. (Photo. 51)
- 2-2 Remove the six (6) screws marked [16g] and lift, then pull out the AMP unit to the front. (Photo. 52)
- 2-3 For your work it is recommended that the AMP unit is put on a chair, because the AC cord and the MSEQ cable are connected each other. (Fig. 30) (Photo. 51)

- * **When you put the AMP unit on a bench, start your work after covering the bench with a cloth to avoid any damage on the unit. (Fig. 30)**
- * **Install the grille assembly F with the strike inserted into the hole. (Photo. 53)**

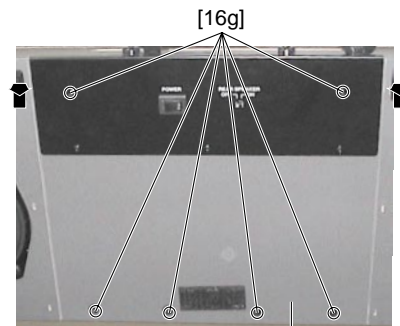
• Upper Right



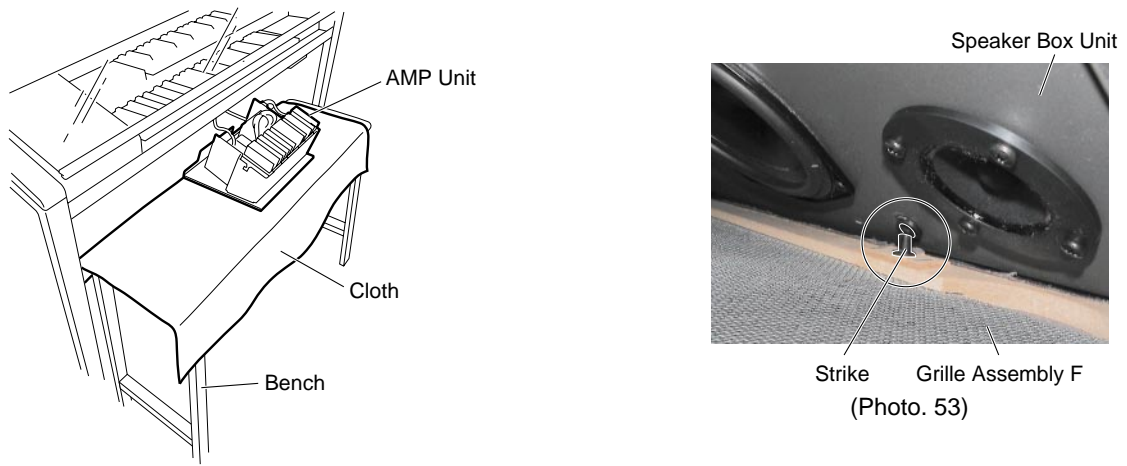
Speaker Box Unit
(Photo. 50)



MSEQ Cable Grille Assembly F
(Photo. 51)



[16g]: Truss Head Screw 4.0X20 MFZN2BL (VB934000)
(Photo. 52)

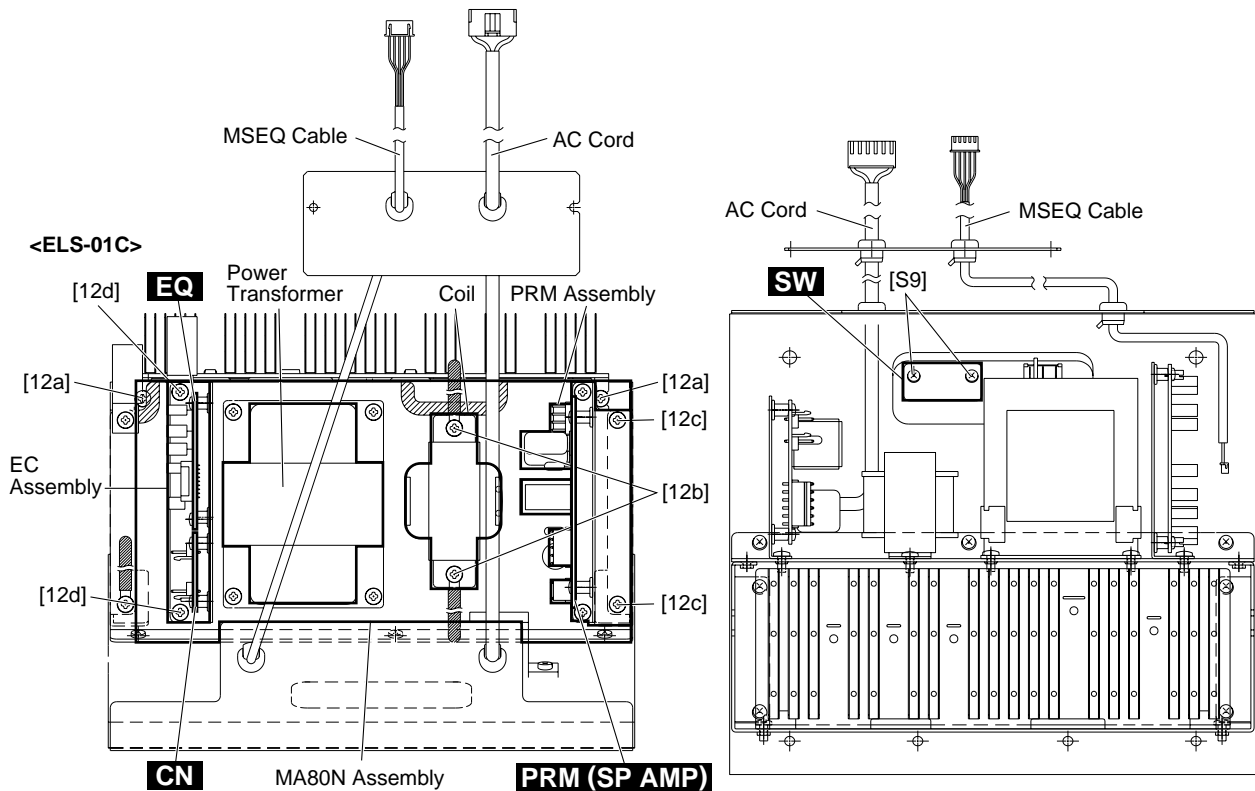


(Fig. 30)

B-3. Circuit Boards and Units in AMP Unit Section (Time required: About 3 minutes each)

3-1 After removing the AMP unit, the following circuit boards and units in the AMP unit can be removed by removing the screws listed in the following table.

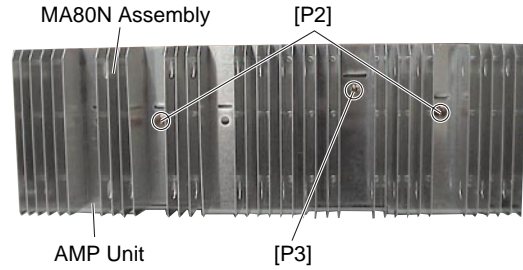
Circuit Board and Unit Name	Ref No.	Screw		QTY	Fig.
Power Amplifier Unit (MA80N Assembly)	[12a]	Bind Head Screw	4.0X8 MFZN2Y (EG340080)	2	31
Coil	[12b]	Bind Head Screw	4.0X8 MFZN2Y (EG340080)	2	31
PRM Assembly	[12c]	Bind Head Screw	4.0X8 MFZN2Y (EG340080)	2	31
EC Assembly	[12d]	Bind Head Screw	4.0X8 MFZN2Y (EG340080)	2	31
SW (Only for ELS-01C)	[S9]	Bind Head Tapping Screw-B	3.0X8 MFZN2Y (EP600250)	2	31



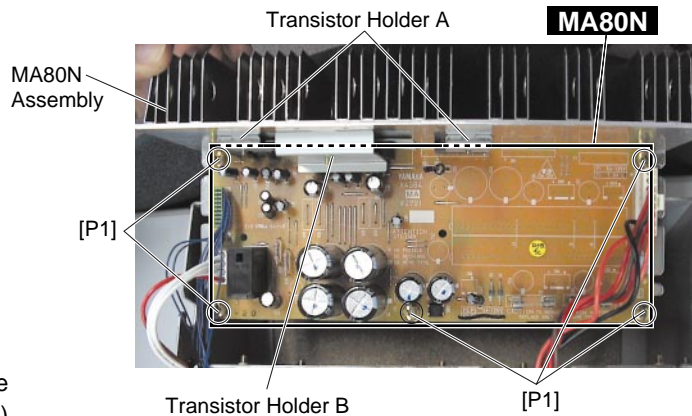
(Fig. 31)

B-3-2 MA80N Circuit Board
(Time required: About 4 minutes)

- 3-2-1 Remove the MA80N Assembly.
 (See procedure B-3-1.)
 - 3-2-2 Remove the two (2) screws marked [P2]. The two (2) transistor holders A can then be removed. (Photo. 54)
 - 3-2-3 Remove the screw marked [P3]. The transistor holder B can then be removed. (Photo. 54)
 - 3-2-4 Remove the five (5) screws marked [P1]. The MA80N circuit board can then be removed. (Photo. 55)
- * **In the installation, fasten the screws [P1], [P3], and [P2] in order. (Photo. 54, 55)**



[P2]: Bind Head Tapping Screw-B 3.0X10 MFZN2Y (EP600220)
 [P3]: Bind Head Tapping Screw-B 3.0X16 MFZN2Y (EP600390)
 (Photo. 54)



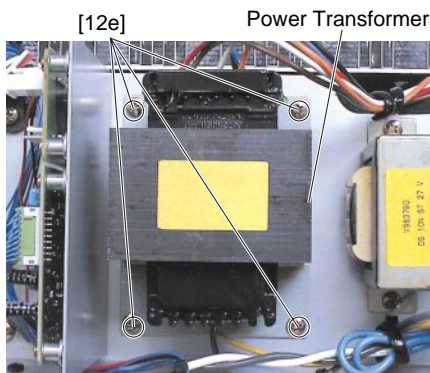
[P1]: Bind Head Tapping Screw-B 4.0X8 MFZN2Y (EP640410)
 (Photo. 55)

B-3-3 Power Transformer
(Time required: About 4 minutes)

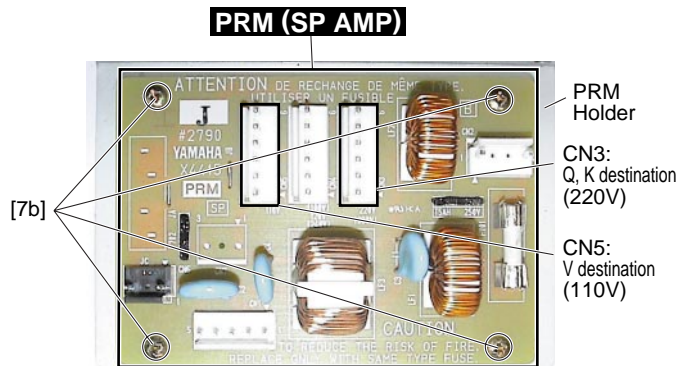
- 3-3-1 Remove the MA80N Assembly.
 (See procedure B-3-1.)
- 3-3-2 Remove the four (4) screws marked [12e]. The power transformer can then be removed. (Fig. 31) (Photo. 56)

B-3-4 PRM (SP AMP) Circuit Board
(Time required: About 3 minutes)

- 3-4-1 Remove the PRM assembly. (See procedure B-3-1.)
 - 3-4-2 Remove the four (4) screws marked [7b]. The PRM (SP AMP) circuit board can then be removed from the PRM holder.
 (Fig. 31) (Photo. 57)
- * **Surely install the wires connecting the power transformer unit CN 3 or CN 5 in their original positions.**



[12e]: Bind Head Screw 4.0X8 MFZN2Y (EG340080)
 (Photo. 56)



[7b]: Bind Head Tapping Screw-B 3.0X6 MFZN2Y (EP600130)
 (Photo. 57)

**B-3-5 EQ Circuit Board and CN Circuit Board
(Time required: About 4 minutes each)**

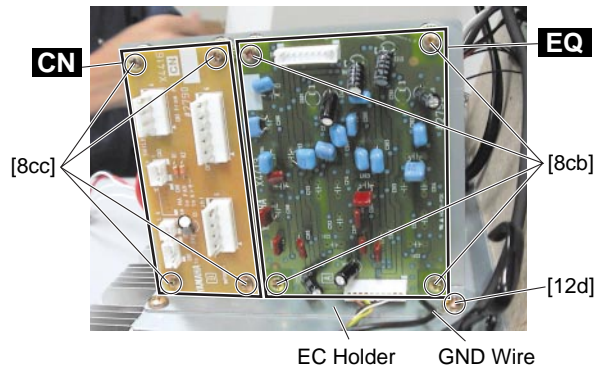
3-5-1 Remove the EC assembly. (See procedure B-3-1.)

3-5-2 EQ Circuit Board

3-5-2-1 Remove the four (4) screws marked [8cb]. The EQ circuit board can then be removed from the EC holder. (Fig. 31) (Photo. 58)

3-5-3 CN Circuit Board

3-5-3-1 Remove the four (4) screws marked [8cc]. The CN circuit board can then be removed from the EC holder. (Fig. 31) (Photo. 58)



[8c]: Bind Head Tapping Screw-B 3.0X6 MFZN2Y (EP600130)
[12d]: Bind Head Screw 4.0X8 MFZN2Y (EG340080)
(Photo. 58)

B-3-6 PSW Assembly (Time required: About 3 minutes)

3-6-1 Remove the screw marked [12d]. The GND wire can then be removed. (Fig. 31) (Photo. 58)

3-6-2 Remove the three (3) screws marked [11]. The PSW assembly can then be removed. (Photo. 59)



[11]: Bind Head Tapping Screw-1 3.5X12 MFZN2BL (EP030340)
(Photo. 59)

B-3-7 POWER Switch (Time required: About 3 minutes)

3-7-1 While pushing the retainer, push out the POWER switch. (Photo. 59, 60)

B-4 ACO Assembly (Time required: About 17 minutes)

4-1 Lift the upper unit. (See procedure A-11.)

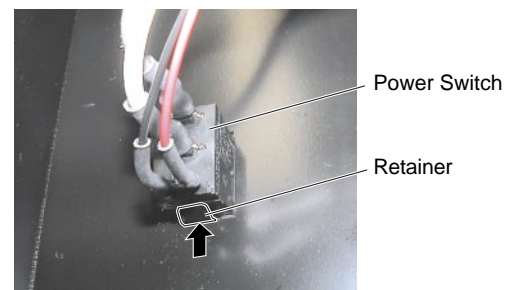
4-2 Displace the DM box unit to the front.
(See procedure A-23.)

4-3 Remove the DM cover assembly.
(See procedure A-24.)

4-4 Remove the AC cord and the MESQ cable.
(See procedure A-25.)

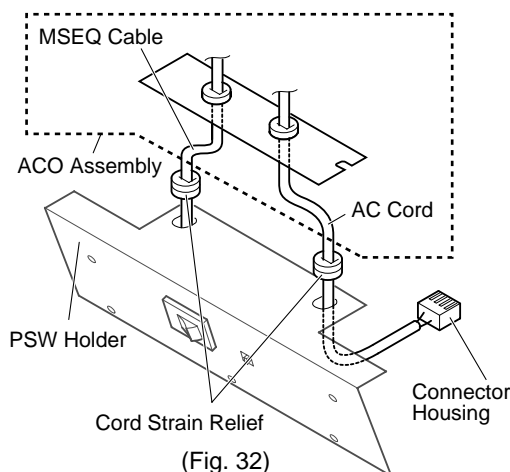
4-5 Remove the connector housing from the AC cord.
(Fig. 32)

4-6 While pushing the retainer on the cord strain relief installed on the PSW holder, push out the AC cord and the MESQ cable to the front, then remove the ACO assembly. (Fig. 31, 32) (Photo. 61)

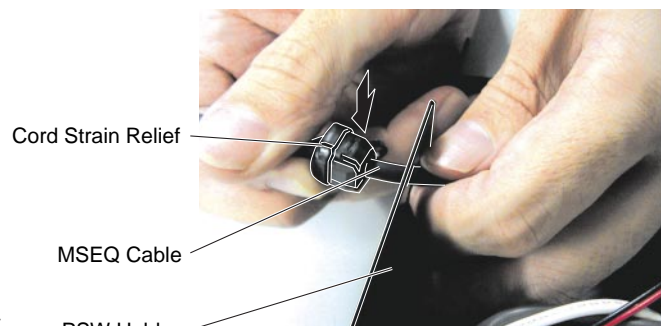


(Photo. 60)

***Remove the AC cord in the same way.**



(Fig. 32)



(Photo. 61)

B-5. Speakers (Front)
(Time required: About 1 minute each)
(ELS-01C)

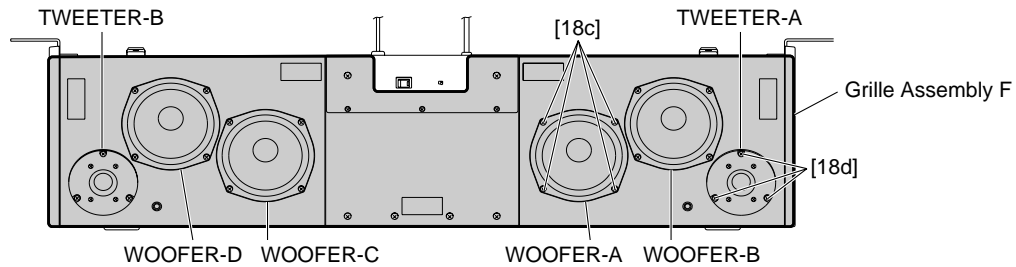
- 5-1 Remove the grille assembly F. (Fig. 33)
- 5-2 Speaker (WOOFER)
- 5-2-1 Remove the four (4) screws marked [18c]. The speaker (WOOFER-A) can then be removed. (Fig. 33)
- * **Other speakers (WOOFER-B, C, D) can be removed in the same way.**
- 5-3 Speaker (TWEETER)
- 5-3-1 Remove the three (3) screws marked [18d]. The speaker (TWEETER-A) can then be removed. (Fig. 33)
- * **The TWEETER-B can be removed in the same way.**

B-6. Speakers (Rear)
(Time required: About 1 minute each)
(ELS-01C)

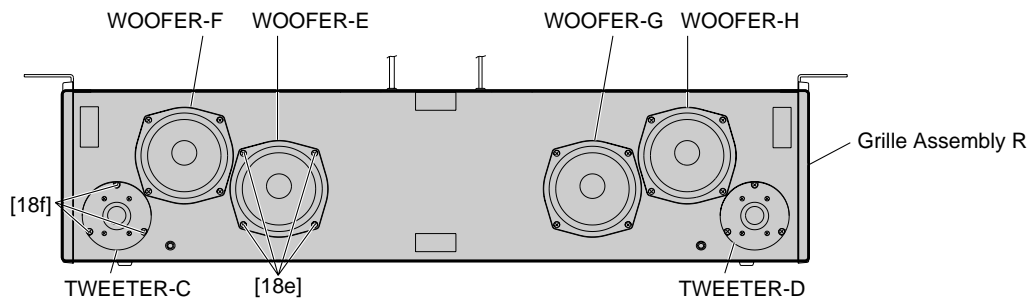
- 6-1 Remove the grille assembly R. (Fig. 33)
- 6-2 Speaker (WOOFER)
- 6-2-1 Remove the four (4) screws marked [18e]. The speaker (WOOFER-E) can then be removed. (Fig. 33)
- * **Other speakers (WOOFER-F, G, H) can be removed in the same way.**
- 6-3 Speaker (TWEETER)
- 6-3-1 Remove the three (3) screws marked [18f]. The speaker (TWEETER-C) can then be removed. (Fig. 33)
- * **The TWEETER-D can be removed in the same way.**

<ELS-01C>

• Front



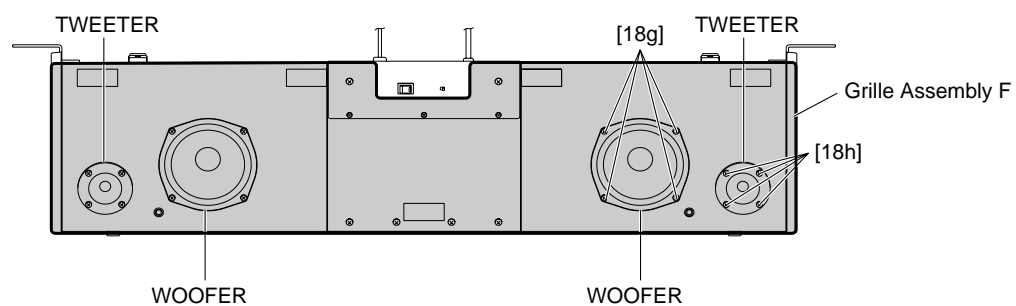
• Rear



[18]: Bind Head Tapping Screw-1 4.0X16 MFZN2BL (EP040250)
 (Fig. 33)

<ELS-01>

• FRONT



[18]: Bind Head Tapping Screw-1 4.0X16 MFZN2BL (EP040250)
 (Fig. 34)

B-7. Speakers (Time required: About 1 minute each) (ELS-01)

- 7-1 Remove the grille assembly (F). (Fig. 34)
- 7-2 Speaker (WOOFER)
- 7-2-1 Remove the four (4) screws marked [18g]. The speaker (WOOFER) can then be removed. (Fig. 34)
- * **The left speaker (WOOFER) can be removed in the same way.**
- 7-3 Speaker (TWEETER)
- 7-3-1 Remove the four (4) screws marked [18h]. The speaker (TWEETER) can then be removed. (Fig. 34)
- * **The left speaker (TWEETER) can be removed in the same way.**

B-8. NW Circuit Boards-R and L (Time required: About 3 minutes) (ELS-01C)

- 8-1 Remove the grille assembly (F). (Fig. 33)
- 8-2 Remove the grille assembly (R). (Fig. 33)
- 8-3 Remove the WOOFER-A in the speakers (front) and the WOOFER-E in the speakers (rear). (See procedure B-5, B-6.)
- 8-4 Remove the NW-R circuit board from the four (4) PCB supports marked [B8a]. (Photo. 62)
- * **The NW-L circuit board can be removed by the removal of the WOOFER-C in the speakers (front) and the WOOFER-G in the speakers (rear).**

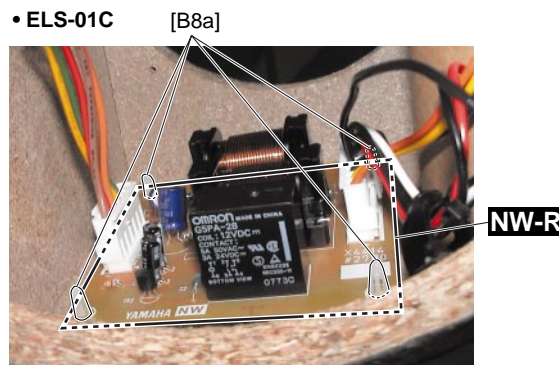
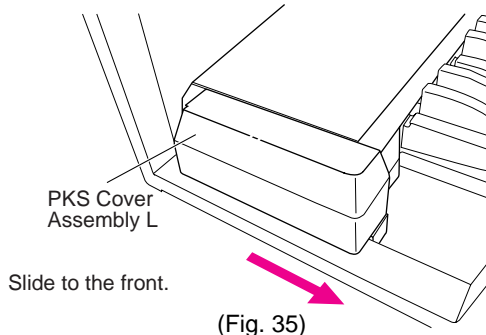
B-9. NW Circuit Boards-R and L (Time required: About 3 minutes) (ELS-01)

- 9-1 Remove the grille assembly (F). (Fig. 34)
- 9-2 Remove the right speaker (WOOFER). (See procedure B-7.)
- 9-3 Remove the NW-R circuit board from the four (4) PCB supports marked [B8b]. (Photo. 63)
- * **The NW-L circuit board can be removed by the removal of the left speaker (WOOFER).**

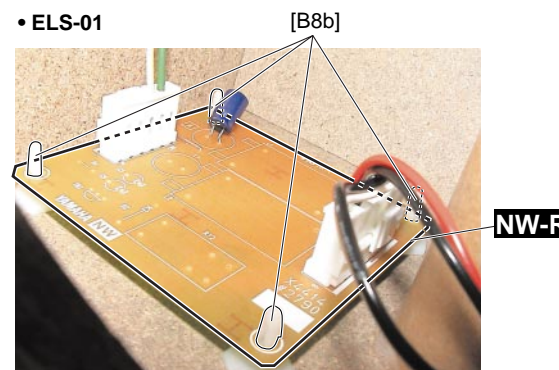
C. Pedal Unit and AC Cord

C-1. Pedal Unit (Time required: About 1 minute)

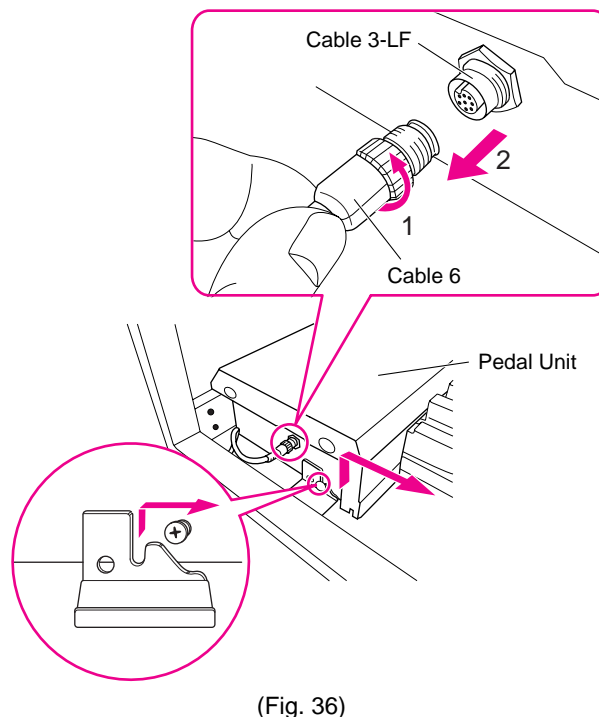
- 1-1 Pull out the PKS cover assemblies L and R to the front, and remove them to the sides. (Fig. 35)
- * **The PKS cover assembly R can be removed in the same way.**
- 1-2 Disconnect the cable 6, and lift the pedal unit to remove it to the front. (Fig. 36)



[B8a]: PCB Support (CB046030) (Photo. 62)



[B8b]: PCB Support (CB046030) (Photo. 63)



C-2. EXP Pedal (2CH) and EXP (2CH) Circuit Board (Time required: About 2 minutes)

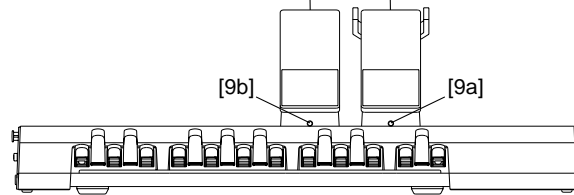
- 2-1 Remove the pedal unit. (See procedure C-1.)
- 2-2 Remove the screw marked [9a]. The EXP pedal (2CH) can then be removed. (Fig. 37)
- 2-3 Remove the four (4) screws marked [31c]. The cover can then be removed. (Photo. 64)
- 2-4 Remove the screw marked [24]. The EXP (2CH) circuit board can then be removed. (Photo. 65)
- 2-5 Remove the actuator, the coil spring, the plate, and the hexagonal nut from the EXP (2CH) circuit board. (Photo. 66)

* **When installing the EXP (2CH) circuit board, set the pedal plate in the "Minimum Volume".**

C-3. Second EXP Pedal (2ND) and EXP (2ND) Circuit Board (Time required: About 2 minutes) (Only for ELS-01C)

- 3-1 Remove the pedal unit. (See procedure C-1.)
- 3-2 Remove the screw marked [9b]. The second EXP pedal (2ND) can then be removed. (Fig. 37)
- 3-3 Remove the four (4) screws marked [21b]. The cover can then be removed. (Photo. 67)
- 3-4 Remove the screw marked [17d]. The EXP (2ND) circuit board can then be removed. (Photo. 68)
- 3-5 Remove the actuator, the coil spring, the plate, and the hexagonal nut from the EXP (2ND) circuit board. (Photo. 69)

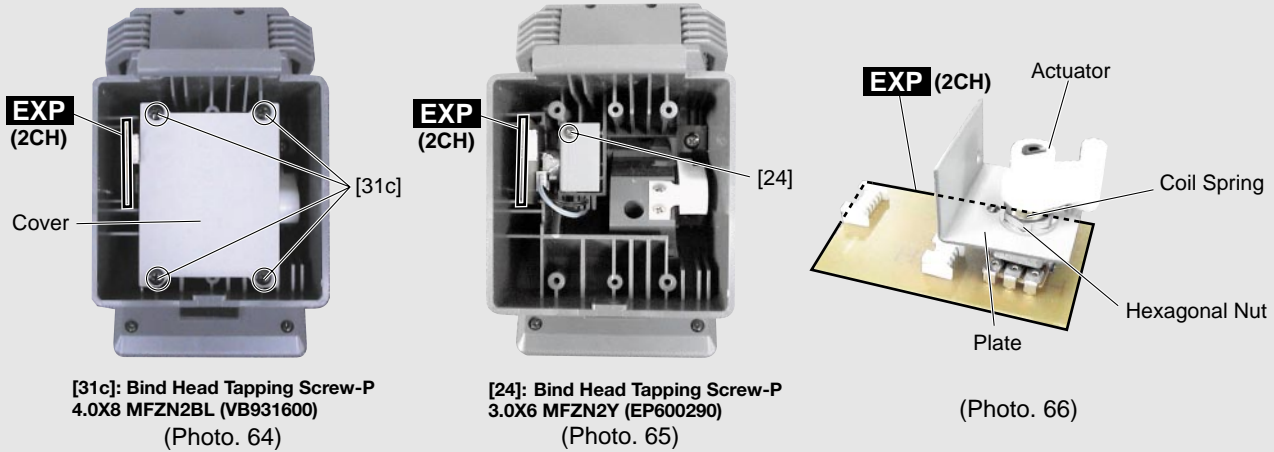
<ELS-01C> Second EXP Pedal (2ND) EXP Pedal (2CH)



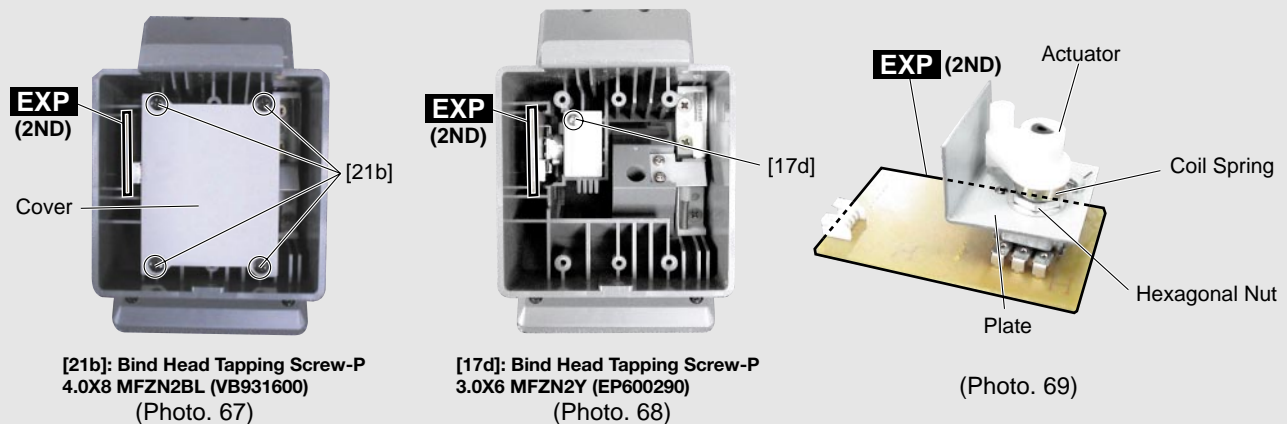
[9]: Bind Head Screw 4.0X10 MFZN2BL (VA221600)
(Fig. 37)

* **When installing the EXP circuit board, set the position of the actuator correctly.**

• EXP Pedal (2CH)

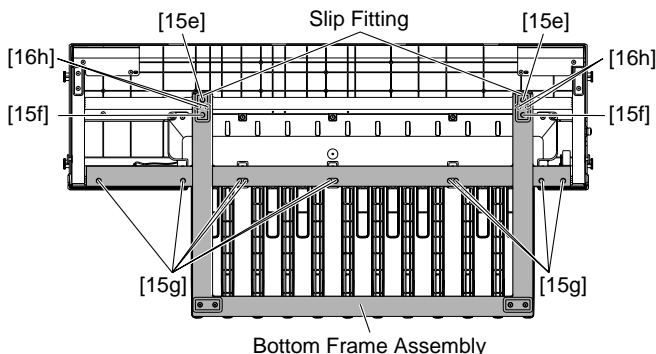


• Second EXP Pedal (2ND) (Only for ELS-01C)



**C-4. Pedal Keyboard Assembly and Cable 3-LF
(Time required: About 6 minutes each)**

- 4-1 Remove the pedal unit. (See procedure C-1.)
- 4-2 Remove the EXP pedal (2CH). (See procedure C-2.)
- 4-3 Remove the second EXP pedal (2ND). (See procedure C-3.) (Only for ELS-01C)
- 4-4 Remove the two (2) screws marked [15e] and loosen two (2) screws marked [15f]. Move the slip fittings so as to expose the screws marked [16h]. (Fig. 38)
- 4-5 Remove the ten (10) screws marked [15g] and the four (4) screws marked [16h]. The bottom frame assembly can then be removed. (Fig. 38)

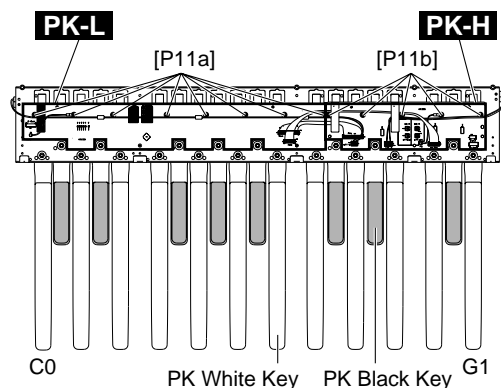


[15]: Bind Head Tapping Screw-B 4.0X14 MFZN2BL (VR525900)
 [16h]: Bind Head Screw 4.0X12 MFZN2Y (EG340030)
 (Fig. 38)

**C-5. Disassembling Pedal Keyboard Assembly
(PK White and Black Keys), PK-L Circuit Board
and PK-H Circuit Board**

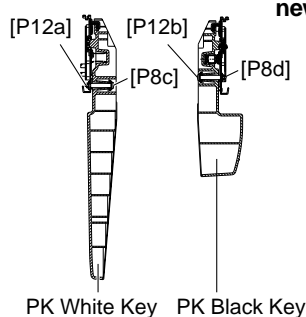
- 5-1 Remove the pedal unit. (See procedure C-1.)
- 5-2 Remove the EXP pedal (2CH). (See procedure C-2.)
- 5-3 Remove the second EXP pedal (2ND). (See procedure C-3.) (Only for ELS-01C)
- 5-4 Remove the pedal keyboard assembly. (See procedure C-4.)

• Top

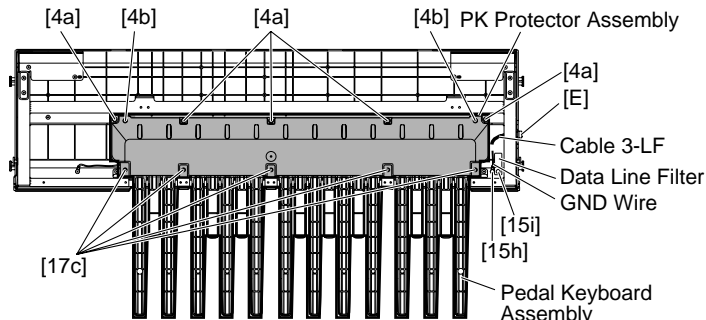


[P8]: Screw 4.0 MFZN2B (VP919200)
 [P11]: Bind Head Tapping Screw-S 3.0X10 MFZN2Y (EP630630)
 [P12]: Hexagonal Nut 4.0 MFZN2B (VP919300)
 (Fig. 40)

• Side



- 4-6 Remove the five (5) screws marked [4a] and the five (5) screws marked [17c]. The PK protector assembly can then be removed. (Fig. 39)
- 4-7 Remove the two (2) screws marked [4b]. The pedal keyboard assembly can then be removed. (Fig. 39)
- * **Pay attention not to pull the connector assembly when removing the pedal keyboard assembly.**
- 4-8 Remove the screw marked [15h]. The GND wire can then be removed. (Fig. 39)
- 4-9 Remove the screw marked [15i]. The data line filter can then be removed. (Fig. 39)
- 4-10 Remove the hexagonal nut marked [E]. The cable 3-LF can then be removed. (Fig. 39)



[4]: Bind Head Tapping Screw-B 4.0X25 MFZN2BL (VS206000)
 [15]: Bind Head Tapping Screw-B 4.0X14 MFZN2BL (VR525900)
 [17c]: Bind Head Tapping Screw-S 3.0X8 MFZN2Y (EP600070)
 (Fig. 39)

5-5a PK-L Circuit Board (Time required: About 7 minutes)

- 5-5a-1 Remove the eight (8) screws marked [P11a]. The PK-L circuit board can then be removed. (Fig. 40)

5-5b PK-H Circuit Board (Time required: About 7 minutes)

- 5-5b-1 Remove the five (5) screws marked [P11b]. The PK-H circuit board can then be removed. (Fig. 40)

5-5c PK White Key

- 5-5c-1 Remove the screw marked [P8c] and the hexagonal nut marked [P12a]. The PK white key can then be removed. (Fig. 40)

5-5d PK Black Key

- 5-5d-1 Remove the screw marked [P8d] and the hexagonal nut marked [P12b]. The PK black key can then be removed. (Fig. 40)

* **When replacing the C0 and G1 pedal keys (white keys), remove the key stopper and install it on the new pedal key (white key). (Fig. 40) (Photo. 70)**

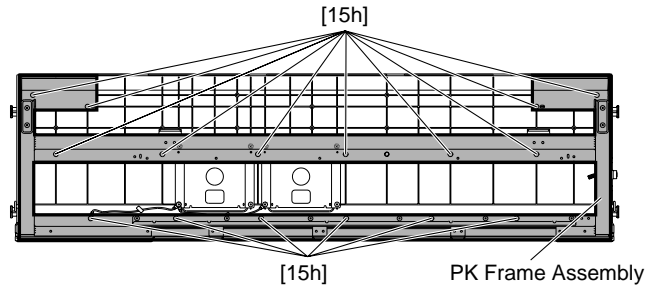
• Bottom



(Photo. 70)

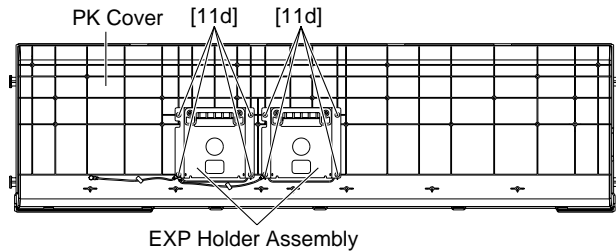
C-6. PK Cover (Time required: About 11 minutes)

- 6-1 Remove the pedal unit. (See procedure C-1.)
- 6-2 Remove the EXP pedal (2CH). (See procedure C-2.)
- 6-3 Remove the second EXP pedal (2ND). (See procedure C-3.) (Only for ELS-01C)
- 6-4 Remove the pedal keyboard assembly. (See procedure C-4.)
- 6-5 Remove the sixteen (16) screws marked [15h]. The PK frame assembly can then be removed. (Fig. 41)
- 6-6 Remove the eight (8) screws marked [11d] and the two (2) EXP holder assemblies. The PK cover can then be removed. (Fig. 42) (ELS-01C)
- 6-7 Remove the eight (8) screws marked [11e], the EXP holder assembly, and the EXP cover. The PK cover can then be removed. (Fig. 43) (ELS-01)



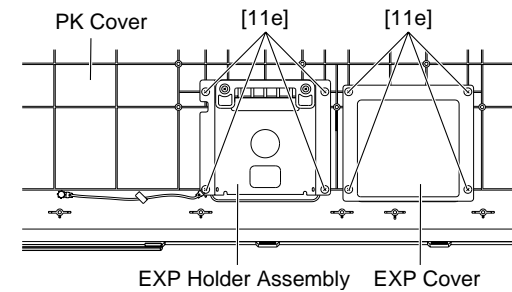
[15h]: Bind Head Tapping Screw-B 4.0X14 MFZN2BL (VR525900)
(Fig. 41)

<ELS-01C>



[11d]: Bind Head Tapping Screw-B 4.0X12 MFZN2Y (VA914400)
(Fig. 42)

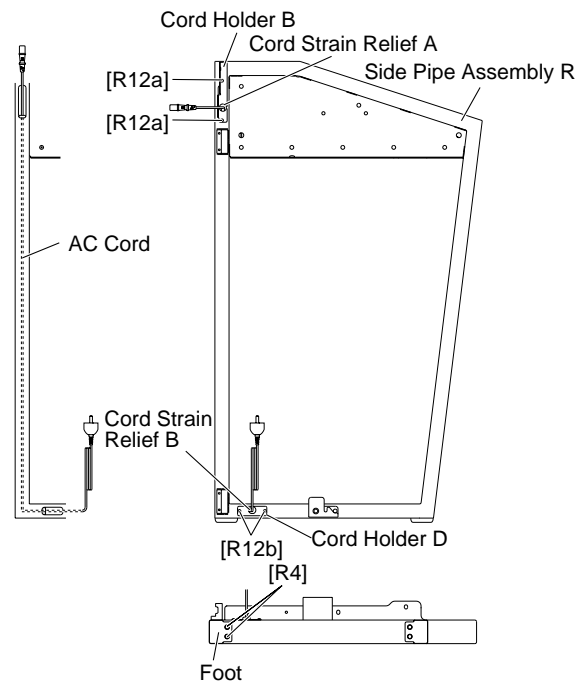
<ELS-01>



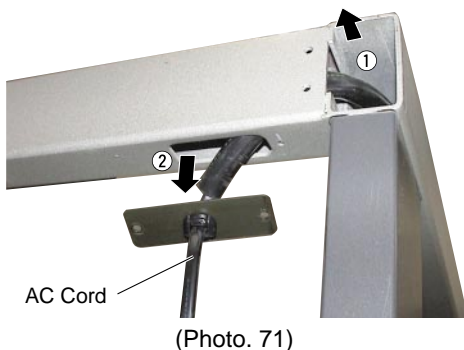
[11e]: Bind Head Tapping Screw-B 4.0X12 MFZN2Y (VA914400)
(Fig. 43)

C-7. AC Cord (Time required: About 12 minutes)

- 7-1 Remove the back top board unit. (See procedure A-1.)
- 7-2 Remove the pedal unit. (See procedure C-1.)
- 7-3 Lay a soft cloth such as a blanket, and face up the side pipe assembly R to bring up the main unit with another person.
- 7-4 Remove the two (2) screws marked [R4]. The foot can then be removed. (Side Pipe Assembly R) (Fig. 44)
- 7-5 Remove the two (2) screws marked [R12a] and the cord holder B. The cord strain relief A can then be removed. (Fig. 44)
- 7-6 Remove the two (2) screws marked [R12b] and the cord holder D. The cord strain relief B can then be removed. (Fig. 44)
- 7-7 Pull out the AC cord toward the mark ① in the drawing from the hole where the foot is removed, then remove the cord toward the mark ② from the hole where the cord holder D is removed. (Photo. 71)



[R4]: Bind Head Screw 4.0X6 MFZN2BL (EG340340)
[R12]: Bind Head Screw 3.0X5 MFZN2BL (EG330460)
(Fig. 44)



(Photo. 71)

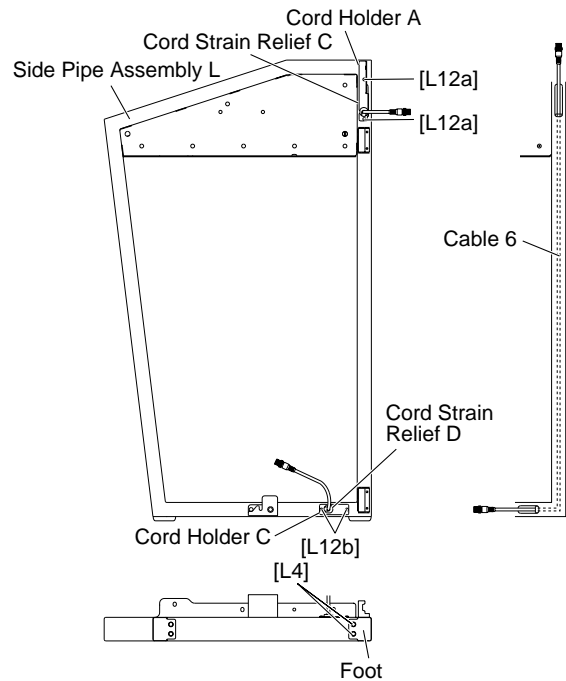
C-8. Installing AC Cord

- 8-1 Insert the AC cord in the hole where the cord holder D is removed and run it through the hole where the foot is removed, then pass the cord through the inside of the side pipe assembly R, then insert it into the respective holes where the cord holders B is removed. (Fig. 44)
- 8-2 Attach the cord strain relief A to the AC cord, then attach them to the cord holder B. (Fig. 44)

- 8-3 Install the cord holder B on the side pipe assembly R. (Fig. 44)
- 8-4 Attach the cord strain relief B to the AC cord, then attach them to the cord holder D. (Fig. 44)
- 8-5 Install the cord holder D on the side pipe assembly R. (Fig. 44)
- 8-6 Install the foot. (Fig. 44)

C-9. Cable 6 (Time required: About 12 minutes)

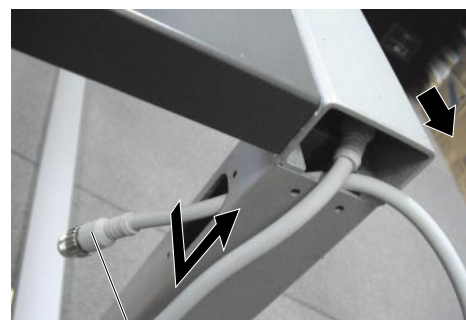
- 9-1 Remove the back top board unit. (See procedure A-1.)
- 9-2 Remove the pedal unit. (See procedure C-1.)
- 9-3 Lay a soft cloth such as a blanket, and face up the side pipe assembly L to bring up the main unit with another person.
- 9-4 Remove the two (2) screws marked [L4]. The foot can then be removed. (Side Pipe Assembly L) (Fig. 45)
- 9-5 Remove the two (2) screws marked [L12a] and the cord holder A. The cord strain relief C can then be removed. (Fig. 45)
- 9-6 Remove the two (2) screws marked [L12b] and the cord holder C. The cord strain relief D can then be removed. (Fig. 45)
- 9-7 Pull out the cable 6 from the hole where the foot is removed. (Photo. 72)



[L4]: Bind Head Screw 4.0X6 MFZN2BL (EG340340)
 [L12]: Bind Head Screw 3.0X5 MFZN2BL (EG330460)
 (Fig. 45)

C-10. Installing Cable 6

- 10-1 Insert the cable in the hole where the foot is removed, run the cable through the inside of the side pipe assembly L, then insert it into the respective holes where the cord holders A and C are removed. (Fig. 45)
- 10-2 Attach the cord strain relief C to the cable 6, then attach them to the cord holder A. (Fig. 45)
- 10-3 Install the cord holder A on the side pipe assembly L. (Fig. 45)
- 10-4 Attach the cord strain relief D to the cable 6, then attach them to the cord holder C. (Fig. 45)
- 10-5 Install the cord holder C on the side pipe assembly L. (Fig. 45)
- 10-6 Install the foot. (Fig. 45)



Cable 6
 (Photo. 72)

LSI PIN DESCRIPTION

M38869M8A-184GP (X5343100) CPU 44
HD6417727F160C (X2890B00) CPU 45
HD6417709SHF200B (X2687A00) CPU (SH3) 46
HD6413002F16 (XP691A00) CPU<H8/3002> 47
TUSB2046BVF (X4704A00) 4-PORT USB HUB 47
T8F02TB-0102 (X0060A00) SWP50 (Tone Generator) 48/49
M4A3-64/64-10VC (X2987A00) CPLD 50
PCM1800E/2K (XU770A00) ADC (Analog to Digital Converter) 50
M4A5-32/32-10VC48 (X5418A00) CPLD 51
SN75LVDS84ADGGR (X4212A00) LVDS TRANSMITTERS 51
AK5381VT-E2 (X5219A00) ADC 51
S1L50553F21Y000 (X4195A00) Gate Array 52
MBCG46183-129PFV-G (XV833A00) SIO4 (Gate Array) 52
YSS217-B-F (XM662A00) DSP-V (Digital Signal Processor) 53
μPD780031AYGK-N07 (X4800200) LKS 54
HD6433693A37H (X4801100) FSVK (CPU: H8/3694) 54
μPD780031AYGK-N05 (XZ916200) LED DRIVER/SWITCH SCAN 55
AK4393-VF-E2 (XW029A00) DAC (Digital to Analog Converter) 55

● **M38869M8A-184GP (X5343100) CPU**

DM2-EL: IC055

PIN NO.	NAME	I/O	FUNCTION	PIN NO.	NAME	I/O	FUNCTION
1	P60/AN0	I/O	Port 6 / Analog input	41	P15	I/O	} Port 1
2	P77/SCL	I/O	Port 7 / Serial clock	42	P14	I/O	
3	P76/SDA	I/O	Port 7 / Serial data	43	P13	I/O	
4	P75/INT41	I/O	} Port 7 / Interrupt request	44	P12	I/O	
5	P74/INT31	I/O					
6	P73/SRDY2/INT21	I/O	Port 7 / Serial control register / Interrupt request	46	P10	I/O	} Port 0
7	P72/SCLK2	I/O	Port 7 / Serial clock	47	P07	I/O	
8	P71/SOUT2	I/O	Port 7 / Serial output	48	P06	I/O	
9	P70/SIN2	I/O	Port 7 / Serial input	49	P05	I/O	
10	P57/DA2/PWM11	I/O	} Port 5 / D-A output /PWM output	50	P04	I/O	
11	P56/DA1/PWM01	I/O					
12	P55/CNTR1	I/O	} Port 5 / Timer	52	P02	I/O	
13	P54/CNTR0	I/O					
14	P53/INT40/W	I/O		Port 5 / Interrupt request / Write	54	P00/P3REF	I/O
15	P52/INT30/R	I/O	Port 5 / Interrupt request / read	55	P37	I/O	
16	P51/INT20/S0	I/O	Port 5 / Interrupt request /	56	P36	I/O	} Port 3
17	P50/A0	I/O	Port 5 / Address	57	P35	I/O	
18	S1			58	P34	I/O	
19	OBF10			59	P33	I/O	
20	P45/TxD	I/O	Port 4 / Data transmission	60	P32	I/O	} Port 3 / PWM output
21	P44/RxD	I/O	Port 4 / Data reception	61	P31/PWM10	I/O	
22	OBF01			62	P30/PWM00	I/O	
23	OBF00			63	P87/DQ7	I/O	} Port 8 /
24	CNVss	-	Ground	64	P86/DQ6	I/O	
25	RESET	I	System reset input	65	P85/DQ5	I/O	
26	P41/XCIN	I/O	Port 4 /	66	P84/DQ4	I/O	
27	P40/XOUT	I/O	Port 4 /	67	P83/DQ3	I/O	
28	XIN	I	} 8MHz	68	P82/DQ2	I/O	
29	XOUT	O					
30	Vss	-	Ground	69	P81/DQ1	I/O	
31	P27	I/O	} Port 2	70	P80/DQ0	I/O	
32	P26	I/O					
33	P25	I/O					
34	P24	I/O					
35	P23	I/O					
36	P22	I/O					
37	P21	I/O					
38	P20	I/O	} Port 6 / Analog input	71	Vcc	-	Power supply +5V Voltage reference Ground
39	P17	I/O					
40	P16	I/O					
				72	VREF	I	
			73	Avss	-		
			74	P67/AN7	I/O	} Port 6 / Analog input	
			75	P66/AN6	I/O		
			76	P65/AN5	I/O		
			77	P64/AN4	I/O		
			78	P63/AN3	I/O	} Port 6 / Analog input	
			79	P62/AN2	I/O		
			80	P61/AN1	I/O		

● HD6417727F160C (X2890B00) CPU

DM2-EL: IC006

PIN NO.	NAME	I/O	FUNCTION	PIN NO.	NAME	I/O	FUNCTION
1	Vcc-RTC	-	Power supply for RTC (1.9V)	121	PTM[4]/PINT[4]/AFE_RDET_/USB1d_TXDMNS	I	Not in use
2	XTAL2	-	Not in use (XTAL for internal RTC)	122	Reserved/USB1d_SUSPEND	O	
3	EXTAL2	-		123	USB1_ovr_cmt/USBF_VBUS	I	USB function VBUS
4	Vss-RTC	-	Power supply for RTC (0V)	124	USB2_ovr_cmt_	I	USB2_HOST2 over current detection
5	MD1	-	Clock mode setting	125	RTS2_/USB1d_TXENL	O	Not in use
6	MD2	-		126	PTE[2]/USB1d_pwr_en	O	USB1 voltage control
7	NMI	-	Not in use (Non-maskable interrupt request)	127	PTE[1]/USB2_pwr_en	O	USB2 voltage control
8	IRQ0/IRL0_/PTH[0]	I	External interrupt request	128	CKE/PTK[5]	O	Enable (SDRAM)
9	IRQ1/IRL1_/PTH[1]	I		129	/RAS3/PTJ[0]	O	RAS for SDRAM
10	IRQ2/IRL2_/PTH[2]	I		130	Reserved/PTJ[1]	O	Not in use
11	IRQ3/IRL3_/PTH[3]	I		131	Reserved/CAS/PTJ[2]	O	CAS for SDRAM
12	IRQ4/PTJ[4]	O		132	VssQ	O	VssQ
13	VEPWC	I		VEE control pin for LCD panel	133	Reserved/PTJ[3]	O
14	VCPWC	-	VCC control pin for LCD panel	134	VccQ	O	VccQ
15	MD5	-	Big endian setting	135	Reserved/PTJ[4]	O	Output port (SIO Reset)
16	/BREQ	-	Not in use (bus request)	136	Reserved/PTJ[5]	O	Output port (DAC Mute)
17	/BACK	-	Bus acknowledge	137	Vss	O	Vss
18	VssQ	-	VssQ	138	PTD[5]/CL1	O	LCD line clock
19	CKIO2	-	System clock output	139	Vcc	O	Vcc
20	VccQ	-	VccQ	140	PTD[7]/DON	O	LCD DISPLAY ON
21	D31/PTB[7]	I/O	Data bus	141	PTE[6]/M_DISP	O	LCD alternater
22	D30/PTB[6]	I/O		142	PTE[3]/FLM	O	LCD frame line marker
23	D29/PTB[5]	I/O		143	PTE[0]/TDO	O	JTAG (test data output)
24	D28/PTB[4]	I/O		144	PCC0RESET/DRACK0	O	DMA request acceptance
25	D27/PTB[3]	I/O		145	PCC0DRV_/DACK0_	O	DMA acknowledge
26	D26/PTB[2]	I/O		146	/WAIT	I	Hardware wait request
27	D25/PTB[1]	I/O	147	/RESETM	I	Manual reset request	
28	D24/PTB[0]	I/O	148	/ADTRG/PTH[5]	I	Analog A/D trigger	
29	VssQ	-	VssQ	149	/IOIS16/PTG[7]	-	Not in use
30	D23/P7A[7]	I/O	Data bus	150	/ASEMD0	-	
31	VccQ	-	VccQ	151	PTG[5]/ASEBRKAK_	-	
32	D22/P7A[6]	I/O	Data bus	152	PTG[4]	I	
33	D21/P7A[5]	I/O	Data bus	153	PCC0BVD2/PTG[3]/AUDATA[3]	I	
34	D20/P7A[4]	I/O	Data bus	154	PCC0BVD1/PTG[2]/AUDATA[2]	I	
35	Vss	-	Vss	155	Vss	-	Vss
36	D19/P7A[3]	I/O	Data bus	156	PCC0CD2/PTG[1]/AUDATA[1]	I	Not in use
37	Vcc	-	Vcc	157	Vcc	-	Vcc
38	D18/P7A[2]	I/O	Data bus	158	PCC0CD1/PTG[0]/AUDATA[0]	I	Not in use
39	D17/P7A[1]	I/O	Data bus	159	VssQ	-	VssQ
40	D16/P7A[0]	I/O	Data bus	160	PTF[7]/PINT[15]/TRST_	I	Not in use
41	D15	-	D15	161	VccQ	-	VccQ
42	VssQ	-	VssQ	162	PTF[6]/PINT[14]/TMS	I	Not in use
43	D14	-	Data bus	163	PTF[5]/PINT[13]/TDI	I	
44	VccQ	-	VccQ	164	PTF[4]/PINT[12]/TCK	I	
45	D13	-	Data bus	165	PTF[3]/PINT[11]/Reserved	I	
46	D12	-	Data bus	166	PCCREG_/PTF[2]/Reserved	I	
47	D11	-	Data bus	167	PCCOVS1_/PTF[1]/Reserved	I	
48	D10	-	Data bus	168	PCCOVS2_/PTF[0]/Reserved	I	
49	D9	-	Data bus	169	MD0	-	Clock mode setting
50	D8	-	Data bus	170	Vcc-PLL1	-	Power supply for Vcc_PLL1 - PLL1(1.9V)
51	D7	-	Data bus	171	CAP1	-	External capacitance for CAP1 _ PLL1
52	D6	-	Data bus	172	Vss-PLL1	-	Power supply for Vss_PLL1 _ PLL1(0V)
53	VssQ	-	VssQ	173	Vss-PLL2	-	Power supply for Vss_PLL2 _ PLL2(0V)
54	D5	-	Data bus	174	CAP2	-	External capacitance for CAP2 _ PLL2
55	VccQ	-	VccQ	175	Vcc-PLL2	-	Power supply for Vcc_PLL2 _ PLL2(1.9V)
56	D4	-	Data bus	176	PCC0WAIT_/PTH[6]/AUDCK	I	Not in use
57	D3	-	Data bus	177	Vss	-	Vss
58	D2	-	Data bus	178	Vcc	-	Vcc
59	D1	-	Data bus	179	XTAL	-	Clock oscillator
60	D0	-	Data bus	180	EXTAL	-	External clock
61	A0	-	Address bus	181	LCD15/PTM[3]/PINT[10]	I	Not in use
62	A1	-	Address bus	182	LCD14/PTM[2]/PINT[9]	I	
63	A2	-	Address bus	183	LCD13/PTM[1]/PINT[8]	I	
64	VssQ	-	VssQ	184	LCD12/PTM[0]	I	Input port (Flash ROM RY/BY)
65	A3	-	Address bus	185	STATUS0/PTJ[6]	O	Output port (Flash ROM write protect)
66	VccQ	-	VccQ	186	STATUS1/PTJ[7]	O	Output port (Flash ROM ACC)
67	A4	-	Address bus	187	CL2/PTH[7]	O	LCD clock output
68	A5	-	Address bus	188	VssQ	-	VssQ
69	A6	-	Address bus	189	CKIO	-	System clock input/output (for SDRAM)
70	A7	-	Address bus	190	VccQ	-	VccQ
71	A8	-	Address bus	191	TxD0/SCPT[0]	O	Output port for SCI
72	A9	-	Address bus	192	SK0/SCPT[1]	O	
73	A10	-	Address bus	193	TxD_SIO/SCPT[2]	O	Not in use
74	A11	-	Address bus	194	SIOCLK/SCPT[3]	O	
75	VssQ	-	VssQ	195	TxD2/SCPT[4]	O	Output port for SCI
76	A12	-	Address bus	196	SCK_SIO/SCPT[5]	O	Not in use
77	VccQ	-	VccQ	197	SIOFSYNC/SCPT[6]	O	
78	A13	-	Address bus	198	RxD0/SCPT[0]	I	Receiving data 0
79	A14	-	Address bus	199	RxD_SIO/SCPT[2]	I	Not in use
80	A15	-	Address bus	200	Vss	-	Vss
81	A16	-	Address bus	201	RxD2/SCPT[4]	I	Receiving data 2
82	A17	-	Address bus	202	Vcc	-	Vcc
83	A18	-	Address bus	203	SCPT[7]/CTS2_/IRQ5	I	Not in use
84	A19	-	Address bus	204	LCD11/PTC[7]/PINT[3]	O	Output port (PLG CLOCK ON/OFF)
85	A20	-	Address bus	205	LCD10/PTC[6]/PINT[2]	O	
86	VssQ	-	VssQ	206	LCD9/PTC[5]/PINT[1]	O	Not in use
87	A21	-	Address bus	207	VssQ	-	
88	VccQ	-	VccQ	208	LCD8/PTC[4]/PINT[0]	O	VssQ
89	A22	-	Address bus	209	VccQ	-	VccQ
90	A23	-	Address bus	210	LCD7/PTD[3]	O	LCD DATA7
91	Vss	-	Vss	211	LCD6/PTD[2]	O	LCD DATA6
92	A24	-	Address bus	212	LCD5/PTC[3]	O	LCD DATA5
93	Vcc	-	Vcc	213	LCD4/PTC[2]	O	LCD DATA4
94	A25	-	Address bus	214	LCD3/PTC[1]	O	LCD DATA3
95	BS_/PTK[4]	O	Not connected (bus cycle start signal)	215	LCD2/PTC[0]	O	LCD DATA2
96	RD_	O	Read strobe	216	LCD1/PTD[1]	O	LCD DATA1
97	WE0_/DQMLL	O	Write 0 signal	217	LCD0/PTD[0]	O	LCD DATA0
98	WE1_/DQMLU/WE	O	Write 1 signal	218	DREQ0_/PTD[4]	I	DMA request
99	WE2_/DQMLU/CIORD_/PTK[6]	O	Write 2 signal	219	LCK/UCLK/PTD[6]	I	USB clock
100	VssQ	-	VssQ	220	/RESETP	-	Power on reset request
101	WE3_/DQMLU/CIOWR_/PTK[7]	O	Write 3 signal	221	CA	-	Hardware standby request
102	VccQ	-	VccQ	222	MD3	-	Bus width setting for area0
103	RD/WR_	O	Read/Write	223	MD4	-	
104	PTE[7]/PCCORDY/AUDSYNC_	O	I/O	224	/Scan_testen	-	Test pin (fixed to 3.3V)
105	/CS0	-	Chip Select 0	225	Avcc_USB	-	USB analog power supply (3.3V)
106	/CS2	-	Chip Select 2	226	USB1_P	IO	USB1 data input/output (+)
107	/CS3	-	Chip Select 3	227	USB1_M	IO	USB1 data input/output (-)
108	/CS4/PTK[2]	O	Chip Select 4	228	Avss_USB	-	USB analog power supply (0V)
109	/CS5/CE1A_/PTK[3]	O	Chip Select 5	229	USB2_P	IO	USB2 data input/output (+)
110	/CS6/CE1B_	O	Chip Select 6	230	USB2_M	IO	USB2 data input/output (-)
111	CE2A_/PTE[4]	O	Output port (SWP50 Reset)	231	Avcc_USB	-	USB analog power supply (3.3V)
112	CE2B_/PTE[5]	O	Output port (PLG Board Reset)	232	Avss	-	A/D analog power supply (0V)
113	AFE_HC1/USB1d_DP/PTK[0]	O	SPD DATA	233	AN[2]/PTL[2]	I	AD converter input
114	AFE_RLYCNT_/USB1d_DMNS/PTK[1]	O	SPD CL	234	AN[3]/PTL[3]	I	
115	VssQ	-	VssQ	235	AN[4]/PTL[4]	I	
116	AFE_SCLK/USB1d_TXDPLS	-	Not in use (USB1 D+ transmission)	236	AN[5]/PTL[5]	I	
117	VccQ	-	VccQ	237	Avcc	-	
118	PTM[7]/PTINT[7]/AFE_FS/USB1d_RCV	I	Not in use	238	AN[6]/PTL[6]/DA[1]	I	AD converter input
119	PTM[6]/PTINT[6]/AFE_RXIN/USB1d_SPEED	I		239	AN[7]/PTL[7]/DA[0]	O	DA converter output (LCD contrast)
120	PTM[5]/PTINT[5]/AFE_TXOUT/USB1d_TXSE0	I		240	Avss	-	A/D analog power supply (0V)

● HD6417709SHF200B (X2687A00) CPU (SH3)

TG1-E1: IC001, TG1-E2: IC001,
TG1-E3: IC001, TG2A (TG2): IC001

PIN NO.	NAME	I/O	FUNCTION	PIN NO.	NAME	I/O	FUNCTION	
1	MD1	I	Mode control	105	CKE/PTK5	I/O	CK enable / Port K	
2	MD2	I		106	RAS3U/PTJ0	I/O	RAS address bus / Port J	
3	Vcc(RTC)	-	Power supply +1.8 V	107	PTJ1	I/O	Port J	
4	XTAL2	O	Crystal oscillator	108	CASL/PTJ2	I/O	CAS address bus / Port J	
5	EXTAL2	I		109	VssQ	-	Ground	
6	Vss(RTC)	-	Ground	110	CASU/PTJ3	I/O	CAS address bus / Port J	
7	NMI	I	Non-maskable interrupt request	111	VccQ	-	Power supply +3.3 V	
8	IRQ0/RL0/PTH0	I	Interrupt request / Port H	112	PTJ4	I/O	Port J	
9	IRQ1/RL1/PTH1	I		113	PTJ5	I/O		
10	IRQ2/RL2/PTH2	I		114	DACK0/PTD5	I/O	DMA acknowledge / Port D	
11	IRQ3/RL3/PTH3	I		115	DACK1/PTD7	I/O		
12	IRQ4/PTH4	I		116	PTE6	I/O	Port E	
13	D31/PTB7	I/O	117	PTE3	I/O			
14	D30/PTB6	I/O	Data bus / Port B	118	RAS3U/PTE2	I/O	RAS address bus / Port E	
15	D29/PTB5	I/O		119	PTE1	I/O	Port E	
16	D28/PTB4	I/O		120	TDO/PTE0	I/O	Test data / Port E	
17	D27/PTB3	I/O		121	BACK	O	Bus acknowledge	
18	D26/PTB2	I/O		122	BREQ	I	Bus request	
19	VssQ	-	Ground	123	WAIT	I	Hardware wait request	
20	D25/PTB1	I/O	Data bus / Port B	124	RESETM	I	Manual reset	
21	VccQ	-	Power supply +3.3 V	125	ADTRG/PTH5	I	Analog trigger / Port H	
22	D24/PTB0	I/O	Data bus / Port B	126	IOIS16/PTG7	I	Write protect / Port G	
23	D23/PTA7	I/O	Data bus / Port A	127	ASEMD0/PTG6	I	ASE mode / Port G	
24	D22/PTA6	I/O		128	ASEBRKAK/PTG5	I/O	ASE break acknowledge / Port G	
25	D21/PTA5	I/O		129	PTG4/CKIO2	I/O	Port G / Clock output	
26	D20/PTA4	I/O		130	AUDATA3/PTG3	I/O	AUD data / Port G	
27	Vss	-		Ground	131	AUDATA2/PTG2		I/O
28	D19/PTA3	I/O	Data bus / Port A	132	Vss	-	Ground	
29	Vcc	-	Power supply +1.8 V	133	AUDATA1/PTG1	I/O	AUD data / Port G	
30	D18/PTA2	I/O	Data bus / Port A	134	Vcc	-	Power supply +1.8 V	
31	D17/PTA1	I/O		135	AUDATA0/PTG0	I/O	AUD data / Port G	
32	D16/PTA0	I/O		136	TRST/PT7/PINT15	I	Test reset / Port F / Port interruption	
33	VssQ	-		Ground	137	TMS/PT6/PINT14	I	Test mode switch / Port F / Port interruption
34	D15	I/O	Data bus	138	TDI/PT5/PINT13	I	Test data / Port F / Port interruption	
35	VccQ	-	Power supply +3.3 V	139	TCK/PT4/PINT12	I	Test clock / Port F / Port interruption	
36	D14	I/O	Data bus	140	IRLS3/PT3/PINT11	I	Interrupt request / Port F / Port interruption	
37	D13	I/O		141	IRL2/PT2/PINT10	I		
38	D12	I/O		142	IRLS1/PT1/PINT9	I		
39	D11	I/O		143	IRLS0/PT0/PINT8	I		
40	D10	I/O		144	MD0	I		Mode control
41	D9	I/O		145	Vcc(PLL1)	-	Power supply +1.8 V	
42	D8	I/O		146	CAP1	-	Capacitor	
43	D7	I/O		147	Vss(PLL1)	-	Ground	
44	D6	I/O		148	Vss(PLL2)	-	Ground	
45	VssQ	-		Ground	149	CAP2	-	Capacitor
46	D5	I/O	Data bus	150	VCC(PLL2)	-	Power supply +1.8 V	
47	VccQ	-	Power supply +3.3 V	151	AUDCK/PTH6	I	AUD clock / Port H	
48	D4	I/O	Data bus	152	Vss	-	Ground	
49	D3	I/O		153	Vss	-		
50	D2	I/O		154	Vcc	-	Power supply +1.8 V	
51	D1	I/O		155	XTAL1	O	Crystal oscillator	
52	D0	I/O		156	EXTAL1	I		
53	A0	O		Address bus	157	STATUS0/PTJ6	I/O	Processor status / Port J
54	A1	O			158	STATUS1/PTJ7	I/O	
55	A2	O	159		TCLK/PTH7	I/O	Timer clock / Port H	
56	A3	O	160		/IRQOUT	O	Interrupt request output	
57	VssQ	-	Ground		161	VssQ	-	Ground
58	A4	O	Address bus		162	CKIO	I/O	System clock input / output
59	VccQ	-	Power supply +3.3 V		163	VccQ	-	Power supply +3.3 V
60	A5	O	Address bus		164	TXD0/SCPT0	O	Data transmission / SCI port
61	A6	O			165	SCK0/SCPT1	I/O	Serial clock / SCI port
62	A7	O			166	TXD1/SCPT2	O	Data transmission / SCI port
63	A8	O		167	SCK1/SCPT3	I/O	Serial clock / SCI port	
64	A9	O		168	TXD2/SCPT4	O	Data transmission / SCI port	
65	A10	O		169	SCK2/SCPT5	I/O	Serial clock / SCI port	
66	A11	O		170	RTS2/SCPT6	I/O	Transmit request / SCI port	
67	A12	O		Data reception / SCI port	171	RXD0/SCPT0	I	
68	A13	O			172	RXD1/SCPT2	I	
69	VssQ	-		Ground	173	Vss	-	Ground
70	A14	O	Address bus	174	RXD2/SCPT4	I	Data reception / SCI port	
71	VccQ	-	Power supply +3.3 V	175	Vcc	-	Power supply +1.8 V	
72	A15	O	Address bus	176	CTS2/IRG6/SCPT7	I	Transmit clear / Interrupt request / SCI port	
73	A16	O		177	MCS7/PTC7/PINT7	I/O		
74	A17	O		Mask ROM chip select / Port C / Port interruption	178	MCS6/PTC6/PINT6	I/O	
75	A18	O			179	MCS5/PTC5/PINT5	I/O	
76	A19	O			180	MCS4/PTC4/PINT4	I/O	
77	A20	O			181	VssQ	-	Ground
78	A21	O			182	WAKEUP/PTD3	I/O	Standby mode Interrupt request output / Port D
79	Vss	-		Ground	183	VccQ	-	Power supply +3.3 V
80	A22	O		Address bus	184	RESETOUT/PTD2	I/O	Reset output / Port D
81	Vcc	-		Power supply +1.8 V	185	MCS3/PTC3/PINT3	I/O	Mask ROM chip select / Port C / Port interruption
82	A23	O	Address bus	186	MCS2/PTC2/PINT2	I/O		
83	VssQ	-	Ground	187	MCS1/PTC1/PINT1	I/O		
84	A24	O	Address bus	188	MCS0/PTC0/PINT0	I/O		
85	VccQ	-	Power supply +3.3 V	189	DRAK0/PTD1	I/O	DMA acknowledge / Port D	
86	A25	O	Address bus	190	DRAK1/PTD0	I/O		
87	BS/PTK4	I/O	Bus cycle / Port K	191	DREQ0/PTD4	I	DMA request / Port D	
88	RD	O	Read strobe	192	DREQ1/PTD6	I		
89	WE0/DQMLL	O	Select signal (D7-D0) / D QM (SDRAM)	193	RESETP	I	Power on reset	
90	WE1/DQMLUIWE	O	Select signal (D15-D8) / D QM (SDRAM) / Write enable	194	CA	I	Chip active	
91	WE2/DQMLUIORPTK6	I/O	Select signal (D23-D16) / D QM (SDRAM) / I/O read / Port K	195	MD3	I	Mode control	
92	WE3/DQMLUIORPTK7	I/O	Select signal (D31-D24) / D QM (SDRAM) / I/O write / Port K	196	MD4	I		
93	RD/W/R	O	Read / Write	197	MD5	I		
94	AUDS/NC/PTE7	I/O	AUD cycle / Port E	198	AVss	-		Analog ground
95	VssQ	-	Ground	199	AN0/PTL0	I		
96	CS0/MCS0	O	Chip select / Mask ROM chip select	200	AN1/PTL1	I	Analog input / Port L	
97	VccQ	-	Power supply +3.3V	201	AN2/PTL2	I		
98	CS2/PTK0	I/O	Chip select / Port K	202	AN3/PTL3	I		
99	CS3/PTK1	I/O		203	AN4/PTL4	I		
100	CS4/PTK2	I/O		204	AN5/PTL5	I		
101	CS5/CE1A/PTK3	I/O		Chip select / Chip enable / Port K	205	AVcc	-	Power supply +3.3 V
102	CS6/CE1B	O	Chip select / Chip enable	206	AN6/DA1/PTL6	I/O	Analog input / Analog output / Port L	
103	CE2A/PTA4	I/O	Chip enable / Port E	207	AN7/DA0/PTL7	I/O		
104	CE2B/PTA5	I/O		208	AVss	-	Analog ground	

● HD6413002F16 (XP691A00) CPU <H8/3002>

VA: IC003

PIN NO.	NAME	I/O	FUNCTION	PIN NO.	NAME	I/O	FUNCTION	
1	PA6	O	Port A	51	A12	O	Address bus	
2	PA7	O	Address bus	52	A13	O		
3	VCC		Power supply	53	A14	O		
4	PB0	I	Port B	54	A15	O		
5	PB1	I		55	A16	O		
6	PB2	I		56	A17	O		
7	PB3	I		57	A18	O		
8	PB4	I		58	A19	O		
9	PB5	I		59	VSS		Ground	
10	PB6//DREQ0	I	Reset	60	P60//WAIT	I	Port 6	
11	PB7//DREQ1	I		61	P61//BREQ	I		
12	/RES0	O		62	P62//BACK	I		
13	VSS		Ground	63	fl	O	flout	
14	P90/TXD0	O	Transmit data (MIDI OUT)	64	/STBY	I	Stand-by mode signal	
15	P91/TXD1	O	KSN-ACK	65	/RES	I	Reset	
16	P92/RXD0	I	Receive data (MIDI IN)	66	NMI	I	Non-maskable interrupt	
17	P93/RXD1	I	KSN-RX	67	VSS		Ground	
18	P94/SCK0	O	Port 9	68	EXTAL	I	Clock	
19	P95/SCK1	I	Port 9	69	XTAL	O	Clock	
20	P40/D0	I/O	Data bus	70	VCC		Power supply	
21	P41/D1	I/O			71	/AS	O	Address strobe
22	P42/D2	I/O			72	/RD	O	Read strobe
23	P43/D3	I/O			73	/HWR	O	Write strobe (High)
24	VSS			(Ground)	74	/LWR	O	Write strobe (Low)
25	P44/D4	I/O			75	MD0	I	Mode select
26	P45/D5	I/O			76	MD1	I	
27	P46/D6	I/O			77	MD2	I	
28	P47/D7	I/O			78	AVCC		Analog power supply
29	D8	I/O			79	VREF	I	Reference voltage
30	D9	I/O		80	P70/AN0	I	Analog data input (EQ)	
31	D10	I/O		81	P71/AN1	I	Analog input (EQ)	
32	D11	I/O		82	P72/AN2	I	Analog data input	
33	D12	I/O		83	P73/AN3	I	Analog input (CS)	
34	D13	I/O		84	P74/AN4	I	Analog data input (BEND)	
35	D14	I/O		85	P75/AN5	I	Analog input (MOD)	
36	D15	I/O		86	P76/AN6	I	Analog input (FC)	
37	VCC		Power supply	87	P77/AN7	I	Analog input (BAT)	
38	A0	O	Address bus	88	AVSS		Analog ground	
39	A1	O			89	P80	O	Port 8
40	A2	O			90	P81//CS3	O	Chip select
41	A3	O			91	P82//CS2	O	
42	A4	O			92	P83//CS1	O	
43	A5	O		93	P84//CS0	O		
44	A6	O		94	VSS		Ground	
45	A7	O		95	PA0	I	Port A	
46	VSS		(Ground)	96	PA1	I		
47	A8	O		97	PA2	I		
48	A9	O		98	PA3	O		
49	A10	O		99	PA4	O		
50	A11	O		100	PA5	O		

● TUSB2046BVF (X4704A00) 4-PORT USB HUB

HUB: IC001

PIN NO.	NAME	I/O	FUNCTION	PIN NO.	NAME	I/O	FUNCTION
1	DP0	I/O	Differential data plus	17	PWRON3	O	Power-on/-off control signal
2	DM0	I/O	Differential data minus	18	OVRCUR3	I	Over-current input
3	Vcc	-	Power supply	19	DM3	I/O	Differential data minus
4	RESET	I	Reset	20	DP3	I/O	Differential data plus
5	EECLK	O	EEPROM serial clock	21	PWRON4	O	Power-on/-off control signal
6	EEDATA/GANGED	I/O	EEPROM serial data / Power management mode indicator	22	OVRCUR4	I	Over-current input
7	GND	-	Ground	23	DM4	I/O	Differential data minus
8	BUSPWR	I	Power source indicator	24	DP4	I/O	Differential data plus
9	PWRON1	O	Power-on/-off control signal	25	Vcc	-	Power supply
10	OVRCUR1	I	Over-current input	26	EXTMEM	I	EEPROM read enable
11	DM1	I/O	Differential data minus	27	TSTPLL	I/O	Test pin
12	DP1	I/O	Differential data plus	28	GND	-	Ground
13	PWRON2	O	Power-on/-off control signal	29	XTAL2	O	Crystal oscillator
14	OVRCUR2	I	Over-surrent input	30	XTAL1	I	
15	DM2	I/O	Differential data minus	31	TSTMODE	I	Test pin
16	DP2	I/O	Differential data plus	32	SUSPND	O	Suspend status

● T8F02TB-0102 (X0060A00) SWP50 (Tone Generator)

PIN NO.	OUTER NO.	NAME	I/O	FUNCTION	PIN NO.	OUTER NO.	NAME	I/O	FUNCTION	
1	E5	VSS2	-	Ground	106	E22	VSS2	-	Ground	
2	D4	VDDC	-	Power supply +1.5 V	107	D23	VDDC	-	Power supply +1.5 V	
3	C3	CD15	I/O	Data bus of internal register	108	C24	HMA15	O	Wave memory address bus	
4	B2	CD13	I/O		109	B25	HMA16	O		
5	A1	CD14	I/O		110	A26	HMA22	O		
6	D5	CD6	I/O		111	E23	HMA25	O		
7	E6	CD2	I/O		112	F22	VDD5	-		Power supply +3 V
8	C4	CD9	I/O	113	D24	HMA27	O	Wave memory address bus		
9	B3	CD11	I/O	114	C25	HMA0	O			
10	A2	CD12	I/O	115	B26	HMA23	O			
11	A3	CD10	I/O	116	C26	HMA24	O	Power supply +3 V		
12	D6	CD1	I/O	117	F23	VDD5	-			
13	E7	VSS	-	Ground	118	G22	HMA26		O	
14	C5	CD5	I/O	Data bus of internal register	119	E24	HMA30	O	Wave memory address bus	
15	B4	CD8	I/O		120	D25	HMA28	O		
16	A4	CD7	I/O		121	D26	HMA29	O		
17	D7	VSS2	-	Ground	122	G23	LMA17	O	Wave memory address bus (Lower data memory)	
18	C6	CD0	I/O	123	F24	LMA19	O			
19	E8	VSS	-	Ground	124	H22	VSS	-		Ground
20	D8	VDD5	-	Power supply +3 V	125	H23	VDD5	-	Power supply +3 V	
21	B5	CD4	I/O	Data bus of internal register	126	E25	LMA20	O	Wave memory address bus (Lower data memory)	
22	A5	CD3	I/O		127	E26	LMA21	O		
23	C7	CA2	I		128	G24	LMA9	O		
24	B6	CA0	I	129	F25	LMA18	O			
25	E9	CA8	I	130	J22	LMA12	O			
26	D9	CA9	I	131	J23	LMA4	O			
27	C8	CA5	I	132	H24	LMA6	O			
28	A6	CA1	I	133	F26	LMA8	O			
29	B7	CA3	I	134	G25	LMA7	O			
30	A7	CA4	I	135	G26	LMA10	O			
31	E10	VSS2	-	Ground	136	K22	VSS2	-	Ground	
32	D10	VDDC	-	Power supply +1.5 V	137	K23	VDDC	-	Power supply +1.5 V	
33	C9	CA10	I	Address bus of internal register	138	J24	LMA13	O	Wave memory address bus (Lower data memory)	
34	B8	CA6	I		139	H25	LMA11	O		
35	A8	CA7	I		140	H26	LMA5	O		
36	B9	CA11	I		141	J25	LMA3	O		
37	E11	CA14	I		142	L22	LMA16	O		
38	D11	CA15	I		143	L23	LMA0	O		
39	C10	CA13	I		144	K24	LMA2	O		
40	A9	CA12	I		145	J26	LMA14	O		
41	B10	CSN0	I		146	K25	LMA15	O		
42	A10	CSN1	I		147	K26	LMA1	O		
43	E12	VSS	-	Ground	148	M22	VSS	-	Ground	
44	D12	VDD5	-	Power supply +3 V	149	M23	VDD5	-	Power supply +3 V	
45	C11	WRN	I	150	L24	LMA22	O	Wave memory address bus (Lower data memory)		
46	B11	RDN	I	151	L25	LMA23	O			
47	A11	WAIT0	O	152	L26	LMA24	O			
48	C12	IRQ0	O	153	M24	LMA27	O			
49	B12	DREQ0	O	154	M25	LMA28	O			
50	E13	TCK	I	155	N22	LMA25	O			
51	D13	TRST	I	156	N23	LMA26	O			
52	C13	VSS	-	Ground	157	N24	LMA30		O	
53	A12	XO	O	158	M26	LMA29	O			
54	B13	XI	O	159	N25	MOEN	O		Wave memory output enable	
55	A13	VDD5	-	Power supply +3 V	160	N26	MVEN	O	Wave memory write enable	
56	A14	SLAVE	I	Master/Slave select	161	P26	LMD15	I/O	Wave memory data bus (Lower 16 bit)	
57	E14	TMS	I	Test pin	162	P22	VSS	-	Ground	
58	D14	TDO	O		163	P23	VDD5	-	Power supply +3 V	
59	C14	ICN	I		164	P24	LMD13	I/O	Wave memory data bus (Lower 16 bit)	
60	B14	RFCLK0	O	165	P25	LMD14	I/O			
61	B15	PLL_TSTN	I	166	R25	LMD11	I/O			
62	C15	PLL_BP	I	167	R24	LMD10	I/O	Power supply +3 V		
63	D15	VDD5	-	Power supply +3 V	168	R23	VDD5		-	
64	E15	VSS	-	Ground	169	R22	VSS		-	Ground
65	A15	RFCLK1	I	PLL Clock	170	R26	LMD12	I/O	Wave memory data bus (Lower 16 bit)	
66	A16	VDDC	-	Power supply +1.5 V	171	T26	LMD9	I/O		
67	B16	TMODE	I	Test pin	172	T25	LMD8	I/O		
68	C16	PLL_AVDD	I	Power supply (PLL)	173	T24	LMD7	I/O	Ground	
69	D16	NC	-	Not used	174	T23	VSS2	-		
70	E16	NC	-	Not used	175	T22	VSS	-		Ground
71	A17	PLL_AVSS	I	Power supply (PLL)	176	U26	LMD6	I/O	Wave memory data bus (Lower 16 bit)	
72	B17	TEST1	I	Test pin	177	U25	LMD5	I/O		
73	A18	VSS	-	Ground	178	V26	LMD3	I/O		
74	C17	SY1	I	Sync. clock	179	U24	LMD4	I/O	Power supply +3 V	
75	D17	VDDC	-	Power supply +1.5 V	180	U23	VDDC	-		
76	E17	VSS2	-	Ground	181	U22	VSS2	-		Ground
77	B18	KONTRG0	O	Key on data	182	V25	LMD2	I/O	Wave memory data bus (Lower 16 bit)	
78	A19	KONTRG1	O		183	W26	LMD0	I/O		
79	C18	CK512	O		184	V24	LMD1	I/O		
80	B19	CK128	O	Master clock (256 Fs)	185	W25	DCSL0	O	Power supply +3 V	
81	D18	BCLK	O	Master clock (64 Fs)	186	V23	VDD5	-		
82	E18	SY0	O	Sync. clock	187	V22	VDDC	-		Power supply +1.5 V
83	C19	HMA20	O	Wave memory address bus	188	W24	DCSL1	O	MASK signal	
84	A20	HMA21	O		189	Y26	DQML3	O		
85	B20	HMA19	O		190	Y25	DQML1	O		
86	C20	HMA18	O	Power supply +1.5 V	191	Y24	DMAL14	O	Address bus (DIMM, SDRAM)	
87	D19	VDD5	-		Power supply +3 V	192	W23	VDD5		-
88	E19	VSS	-		Ground	193	W22	VSS		-
89	A21	HMA9	O	Wave memory address bus	194	AA26	DMAL13	O	Address bus (DIMM, SDRAM)	
90	B21	HMA7	O		195	AA25	DMAL12	O		
91	A22	HMA6	O		196	AB26	DMAL9	O		
92	D20	HMA8	O	Power supply +1.5 V	197	Y23	VSS	-	Ground	
93	C21	HMA10	O		198	AA24	DMAL11	O	Address bus (DIMM, SDRAM)	
94	E20	HMA17	O		199	Y22	VSS	-		Ground
95	D21	VDD5	-	Power supply +1.5 V	200	AA23	DMAL10	O		Address bus (DIMM, SDRAM)
96	B22	HMA11	O	201	AB25	DMAL8	O			
97	A23	HMA4	O	202	AC26	DMAL6	O			
98	C22	HMA5	O	Wave memory address bus	203	AB24	DMAL7	O	Address bus (DIMM, SDRAM)	
99	B23	HMA13	O		204	AC25	DMAL5	O		
100	E21	VSS	-		Ground	205	AA22	VSS2		-
101	D22	HMA12	O	Wave memory address bus	206	AB23	VSS	-	Ground	
102	C23	HMA3	O		207	AC24	DMAL4	O		
103	A24	HMA14	O		208	AD26	DMAL3	O	Address bus (DIMM, SDRAM)	
104	B24	HMA2	O	209	AD25	DMAL2	O			
105	A25	HMA1	O	210	AE26	DMAL0	O			

TG1-E1: IC006, TG1-E2: IC006, TG1-E3: IC006, TG2A (TG2): IC002,3

PIN NO.	OUTER NO.	NAME	I/O	FUNCTION	PIN NO.	OUTER NO.	NAME	I/O	FUNCTION
211	AB22	VSS2	-	Ground	316	AB5	VSS2	-	Ground
212	AC23	VDDC	-	Power supply +1.5 V	317	AC4	VDDC	-	Power supply +1.5 V
213	AD24	DMA1	O	Address bus (DIMM, SDRAM)	318	AD3	MELI6	I	MEL wave data input
214	AE25	DCSL2	O		319	AE2	MELI7	I	
215	AF26	DRAS0	O	Power supply +3 V	320	AF1	ADLR	O	Power supply +3 V
216	AC22	DCAS0	O		321	AB4	DITO	O	
217	AB21	VDDS	-	Power supply +3 V	322	AA5	VSS	-	Ground
218	AD23	DCLKIN	I	MASK signal	323	AC3	AFRM	I/O	
219	AE24	DQML2	O		324	AD2	CLK	I/O	
220	AF25	DCSL3	O	MASK signal	325	AE1	ADIR	O	
221	AF24	DQML0	O		326	AD1	ADAT0	I/O	
222	AC21	VDDS	-	Power supply +3 V	327	AA4	VDDS	-	Power supply +3 V
223	AB20	VSS	-	Ground	328	Y5	ADAT9	I/O	Data bus (ABUS)
224	AD22	DWEN0	O	329	AB3	ADAT3	I/O		
225	AE23	DCLK0	O	Wave memory data bus (Upper data memory)	330	AC2	ADAT1	I/O	
226	AF23	DCLK1	O		331	AC1	ADAT2	I/O	
227	AC20	DCLKE	O	Wave memory data bus (Upper data memory)	332	Y4	ADAT10	I/O	
228	AD21	HMD13	I/O		333	AA3	ADAT6	I/O	
229	AB19	VSS	-	Ground	334	W5	VSS	-	Ground
230	AC19	VDDS	-	Power supply +3 V	335	W4	VDDS	-	Power supply +3 V
231	AE22	HMD15	I/O	Wave memory data bus (Upper data memory)	336	AB2	ADAT4	I/O	
232	AF22	HMD14	I/O		337	AB1	ADAT5	I/O	
233	AD20	HMD10	I/O	Power supply +1.5 V	338	Y3	ADAT11	I/O	
234	AE21	HMD12	I/O		339	AA2	ADAT7	I/O	
235	AB18	VDDC	-	Power supply +1.5 V	340	V5	ADAT14	I/O	
236	AC18	VDDS	-	Power supply +3 V	341	V4	ADAT15	I/O	
237	AD19	HMD7	I/O	Wave memory data bus (Upper data memory)	342	W3	ADAT13	I/O	
238	AF21	HMD11	I/O		343	AA1	ADAT8	I/O	
239	AE20	HMD9	I/O	Wave memory data bus (Upper data memory)	344	Y2	ADAT12	I/O	
240	AF20	HMD8	I/O		345	Y1	TDI	I	
241	AB17	VSS2	-	Ground	346	U5	VSS2	-	Ground
242	AC17	VDDC	-	Power supply +1.5 V	347	U4	VDDC	-	Power supply +1.5 V
243	AD18	HMD4	I/O	Wave memory data bus (Upper data memory)	348	V3	HRD13	I/O	
244	AE19	HMD6	I/O		349	W2	HRD15	I/O	
245	AF19	HMD5	I/O	Wave memory data bus (Upper data memory)	350	W1	HRD14	I/O	
246	AE18	HMD3	I/O		351	V2	HRD12	I/O	
247	AB16	VSS	-	Ground	352	T5	HRD7	I/O	DRAM data bus
248	AC16	VSS2	-	Ground	353	T4	HRD6	I/O	
249	AD17	HMD1	I/O	Wave memory data bus (Upper data memory)	354	U3	HRD10	I/O	
250	AF18	HMD2	I/O		355	V1	HRD11	I/O	
251	AE17	HMD0	I/O	Wave memory data bus (Upper data memory)	356	U2	HRD9	I/O	
252	AF17	DCSH0	O		357	U1	HRD8	I/O	
253	AB15	VSS	-	Ground	358	R5	VSS	-	Ground
254	AC15	VDDS	-	Power supply +3 V	359	R4	VDDS	-	Power supply +3 V
255	AD16	DCSH1	O	MASK signal	360	T3	HRD5	I/O	
256	AE16	DQMH3	O		361	T2	HRD4	I/O	
257	AF16	DQMH1	O	Address bus (DIMM, SDRAM)	362	T1	HRD3	I/O	
258	AD15	DMAH14	O		363	R3	HRD2	I/O	
259	AE15	DMAH13	O	Address bus (DIMM, SDRAM)	364	R2	HRD1	I/O	
260	AB14	VSS	-		Ground	365	P5	VDDS	-
261	AC14	VSS2	-	Ground	366	P4	HRD0	I/O	DRAM data bus
262	AD14	DMAH11	O	Address bus (DIMM, SDRAM)	367	P3	RWEN	O	DRAM write enable
263	AF15	DMAH12	O		368	R1	RQML	O	
264	AE14	DMAH10	O	Address bus (DIMM, SDRAM)	369	P2	RCAS	O	DRAM column address strobe (RAS signal)
265	AF14	DMAH9	O		370	P1	RRAS	O	DRAM row address strobe (RAS signal)
266	AF13	DMAH8	O	Power supply +3 V	371	N1	RA13	O	DRAM address bus
267	AB13	VDDS	-		Power supply +3 V	372	N5	VDDS	-
268	AC13	VDDS	-	Power supply +3 V	373	N4	VDDS	-	Power supply +3 V
269	AD13	DMAH6	O	Address bus (DIMM, SDRAM)	374	N3	RA10	O	
270	AE13	DMAH7	O		375	N2	RA12	O	
271	AE12	DMAH4	O	Power supply +1.5 V	376	M2	RA1	O	
272	AD12	DMAH3	O		377	M3	RA2	O	
273	AC12	VDDS	-	Power supply +1.5 V	378	M4	VDDS	-	Power supply +3 V
274	AB12	VSS	-	Ground	379	M5	VSS	-	Ground
275	AF12	DMAH5	O	Address bus (DIMM, SDRAM)	380	M1	RA0	O	
276	AF11	DMAH2	O		381	L1	RA3	O	
277	AE11	DMAH1	O	Address bus (DIMM, SDRAM)	382	L2	RA4	O	
278	AD11	DMAH0	O		383	L3	RA5	O	
279	AC11	VSS	-	Ground	384	L4	VSS2	-	Ground
280	AB11	VSS	-	Ground	385	L5	VSS	-	Ground
281	AF10	DRAS1	O	MASK signal	386	K1	RA6	O	
282	AE10	DCSH2	O		387	K2	RA7	O	
283	AF9	DQMH2	O	MASK signal	388	J1	RA9	O	
284	AD10	DCSH3	O		389	K3	RA8	O	
285	AC10	VDDC	-	Power supply +1.5 V	390	K4	VDDC	-	Power supply +1.5 V
286	AB10	VSS2	-	Ground	391	K5	VSS2	-	Ground
287	AE9	DQMH0	O	MASK signal	392	J2	RA11	O	
288	AF8	DWEN1	O		393	H1	RCLK	O	
289	AD9	DCAS1	O	Power supply +3 V	394	J3	RCLKE	O	
290	AE8	DCLK2	O		395	H2	RCLKIN	I	
291	AC9	VDDS	-	Power supply +3 V	396	J4	VDDS	-	Power supply +3 V
292	AB9	VDDC	-	Power supply +1.5 V	397	J5	VDDC	-	Power supply +1.5 V
293	AD8	DCLK3	O	MEL wave data output	398	H3	RQMH	O	
294	AF7	MEL00	O		399	G1	LRD15	I/O	
295	AE7	MEL01	O	MEL wave data output	400	G2	LRD14	I/O	
296	AD7	MEL02	O		401	G3	LRD13	I/O	
297	AC8	VDDS	-	Ground	402	H4	VDDS	-	Power supply +3 V
298	AB8	VSS	-		403	H5	VSS	-	Ground
299	AF6	MEL03	O	MEL wave data output	404	F1	LRD12	I/O	
300	AE6	MEL04	O		405	F2	LRD11	I/O	
301	AF5	MEL05	O	MEL wave data output	406	E1	LRD8	I/O	
302	AC7	MEL06	O		407	G4	VDD8	I/O	
303	AD6	MEL07	O	For DAC LR clock	408	F3	LRD10	I/O	
304	AB7	WCLK0	O		409	G5	VDDS	-	Ground
305	AC6	WCLK1	O	For DAC LR clock	410	F4	LRD9	I/O	
306	AE5	EIRQ	O		411	E2	LRD7	I/O	
307	AF4	EICN	O	DRAM data bus (Lower data)	412	D1	LRD5	I/O	
308	AD5	ESDA	I/O		413	E3	LRD6	I/O	
309	AE4	ESCL	I/O	DRAM data bus (Lower data)	414	D2	LRD4	I/O	
310	AB6	MELI0	I		415	F5	VSS2	-	Ground
311	AC5	MELI1	I	MEL wave data input	416	E4	VSS	-	Ground
312	AD4	MELI2	I		417	D3	LRD3	I/O	
303	AF3	MELI3	I	MEL wave data input	418	C1	LRD2	I/O	
314	AE3	MELI4	I		419	C2	LRD1	I/O	
315	AF2	MELI5	I	420	B1	LRD0	I/O		

● M4A3-64/64-10VC (X2987A00) CPLD

PMDEB: IC1

PIN NO.	NAME	I/O	FUNCTION	PIN NO.	NAME	I/O	FUNCTION
1	GND		Ground	51	GND		Ground
2	TDI	I	Test data in	52	ENABLE		Program
3	A1	I/O	Data bus block A	53	C1	I/O	Data bus block C
4	A3	I/O					
5	A5	I/O					
6	A7	I/O					
7	A9	I/O					
8	A11	I/O					
9	A13	I/O		54	C3	I/O	
10	A15	I/O		55	C5	I/O	
11	I0/CLK1	I		56	C7	I/O	
12	VCC		Power supply	57	C9	I/O	
13	GND		Ground	58	C11	I/O	
14	I1/CLK1	I		59	C13	I/O	
15	B15	I/O	Data bus block B	60	C15	I/O	
16	B13	I/O					
17	B11	I/O					
18	B9	I/O					
19	B7	I/O					
20	B5	I/O					
21	B3	I/O		61	I3/CLK		Power supply
22	B1	I/O		62	VCC		Power supply
23	TMS		Test mode select	63	GND		Ground
24	TCK		Test clock	64	I4/CLK3		
25	GND		Ground	65	D15	I/O	Data bus block D
26	GND		Ground	66	D13	I/O	
27	GND		Ground	67	D11	I/O	
28	B14	I/O		68	D9	I/O	
29	B12	I/O		69	D7	I/O	
30	B10	I/O		70	D5	I/O	
31	B8	I/O	Data bus block B	71	D3	I/O	
32	B6	I/O					
33	B4	I/O					
34	B2	I/O					
35	B0	I/O					
36	I2	I			72	D1	I/O
37	VCC		Power supply	73	TRST		Test reset
38	GND		Ground	74	TDO	O	Test data out
39	GND		Ground	75	GND		Ground
40	VCC		Power supply	76	GND		Ground
41	C0	I/O	Data bus block C	77	GND		Ground
42	C2	I/O					
43	C4	I/O					
44	C6	I/O					
45	C8	I/O					
46	C10	I/O					
47	C12	I/O		78	D14	I/O	Data bus block D
48	C14	I/O					
49	GND		Ground	79	D12	I/O	
50	GND		Ground	80	D10	I/O	
				81	D8	I/O	
				82	D6	I/O	
				83	D4	I/O	
				84	D2	I/O	
				85	D0	I/O	
				86	I5	I	Power supply
				87	VCC		Power supply
				88	GND		Ground
				89	GND		Ground
				90	VCC		Power supply
				91	A0	I/O	Data bus block A
				92	A2	I/O	
				93	A4	I/O	
				94	A6	I/O	
				95	A8	I/O	
				96	A10	I/O	
				97	A12	I/O	
				98	A14	I/O	
				99	GND		Ground
				100	GND		Ground

● PCM1800E/2K (XU770A00) ADC (Analog to Digital Converter)

EMKS-FB: IC003, EMKS-FA: IC003

PIN NO.	NAME	I/O	FUNCTION	PIN NO.	NAME	I/O	FUNCTION
1	VINL	I	Analog input (L ch.)	13	LRCK	I/O	Sampling clock input/output
2	VREF1		Reference 1 decoupling cap.	14	BCK	I/O	Bit clock input/output
3	REFCOM		Reference decoupling common	15	DOOUT	O	Audio data output
4	VREF2		Reference 2 decoupling cap.	16	SYSCK	I	System clock input
5	VINR	I	Analog input (R ch.)	17	DGND		Digital ground
6	RSTB	I	Reset input active "L"	18	Vdd		Power supply +5V
7	BYPAS	I	LCF bypass control	19	CINNR		Anti-aliasing filter cap. (-) R ch.
8	FMT0	I	Audio data format 0	20	CINPR		Anti-aliasing filter cap. (+) R ch.
9	FMT1	I	Audio data format 1	21	CINNL		Anti-aliasing filter cap. (-) L ch.
10	MODE0	I	Master/Slave mode selection 0	22	CINPL		Anti-aliasing filter cap. (+) L ch.
11	MODE1	I	Master/Slave mode selection 1	23	Vcc		Analog power supply
12	FSYNC	I/O	Frame sync. input/output	24	AGND		Analog ground

● M4A5-32/32-10VC48 (X5418A00) CPLD

EMKS-FA: IC004, EMKS-FB: IC004

PIN NO.	NAME	I/O	FUNCTION	PIN NO.	NAME	I/O	FUNCTION
1	I/O5	I/O	} Input / Output	25	I/O21	I/O	} Input / Output
2	I/O6	I/O		26	I/O22	I/O	
3	I/O7	I/O		27	I/O23	I/O	
4	TDI	I	Test Data in	28	TMS	I	Test Mode Select
5	CLK0/I0	I	Clock or Input	29	CLK1/I1	I	Clock or Input
6	NC	-	No Connect	30	NC	-	No Connect
7	GND	-	Ground	31	GND	-	Ground
8	TCK	I	Test Clock	32	TDO	O	Test Data Out
9	I/O8	I/O	} Input / Output	33	I/O24	I/O	} Input / Output
10	I/O9	I/O		34	I/O25	I/O	
11	I/O10	I/O		35	I/O26	I/O	
12	I/O11	I/O		36	I/O27	I/O	
13	I/O12	I/O		37	I/O28	I/O	
14	I/O13	I/O		38	I/O29	I/O	
15	I/O14	I/O		39	I/O30	I/O	
16	I/O15	I/O	40	I/O31	I/O		
17	VCC	-	Supply Voltage	41	VCC	-	Supply Voltage
18	NC	-	No Connect	42	NC	-	No Connect
19	GND	-	Ground	43	GND	-	Ground
20	I/O16	I/O	} Input / Output	44	I/O0	I/O	} Input / Output
21	I/O17	I/O		45	I/O1	I/O	
22	I/O18	I/O		46	I/O2	I/O	
23	I/O19	I/O		47	I/O3	I/O	
24	I/O20	I/O		48	I/O4	I/O	

● SN75LVDS84ADGGR (X4212A00) LVDS TRANSMITTERS

DM2-EL: IC013

PIN NO.	NAME	I/O	FUNCTION	PIN NO.	NAME	I/O	FUNCTION
1	D4	I/O	Data bus	25	D20	I/O	Data bus
2	Vcc	-	Power supply	26	CLKIN	I	Input clock for CLKIN MIDI
3	D5	I/O	} Data bus	27	SHTDN	-	} Ground
4	D6	I/O		28	PLLGN	-	
5	GND	-	Ground	29	PLLVcc	-	Power supply
6	D7	I/O	} Data bus	30	PLLGN	-	} Goround
7	D8	I/O		31	LVDSGND	-	
8	Vcc	-	Power supply	32	CLKOUTP	O	} Clock output
9	D9	I/O	} Data bus	33	CLKOUTM	O	
10	D10	I/O		34	Y2P	-	} Ground
11	GND	-	Ground	35	Y2M	-	
12	D11	I/O	} Data bus	36	LVDSGND	-	
13	D12	I/O		37	LVDSVcc	-	Power supply
14	NC	-	Not used	38	Y1P	-	} Ground
15	D13	I/O	} Data bus	39	Y1M	-	
16	D14	I/O		40	Y0P	-	
17	GND	-	Ground	41	Y0M	-	} Not used
18	D15	I/O	} Data bus	42	LVDSGND	-	
19	D16	I/O		43	NC	-	Not used
20	D17	I/O	} Power supply	44	D0	I/O	} Data bus
21	Vcc	-		Power supply	45	D1	
22	D18	I/O	} Data bus	46	GND	-	Ground
23	D19	I/O		47	D2	I/O	} Data bus
24	GND	-	Ground	48	D3	I/O	

● AK5381VT-E2 (X5219A00) ADC

DAC1A: IC401

PIN NO.	NAME	I/O	FUNCTION	PIN NO.	NAME	I/O	FUNCTION
1	AINR	I	Rch Analog input pin	9	SDTO	O	Audio serial data output pin
2	AINL	I	Lch Analog input pin	10	LRCK	I/O	Output channel clock pin
3	CKS1	I	Mode select 1 pin	11	MCLK	I	Master clock input pin
4	VCOM	O	Common voltage output pin	12	SCLK	I/O	Audio serial data clock pin
5	AGND	-	Analog ground	13	PDN	I	Power down mode pin
6	VA	-	Analog power supply	14	DIF	I	Audio interface format pin
7	VD	-	Digital power supply	15	CKS2	I	Mode select 2 pin
8	DGND	-	Digital ground	16	CKS0	I	Mode select 0 pin

● S1L50553F21Y000 (X4195A00) Gate Array

TG1-E1: IC005, TG1-E2: IC005, TG1-E3: IC005, TG2A (TG2): IC004

PIN NO.	NAME	I/O	FUNCTION	PIN NO.	NAME	I/O	FUNCTION
1	CLKI	I	} Clock	41	VDD	-	Power supply
2	CLKO	O		42	RESET	I	Reset
3	VDD	-	Power supply	43	VSS	-	Ground
4	SCANENB	I/O	Scan enable	44	OUT4	O	} Output
5	ATPGENB	I/O		45	OUT3	O	
6	VSS	-	Ground	46	INP2	I	} Input
7	PLLTEST	I	Test	47	INP1	I	
8	PLLRES	I	Reset	48	INP0	I	
9	PLLVSS	-	Ground	49	TESTENB	I/O	Test enable
10	MVDD	-	Power supply	50	VSS	-	Ground
11	PLLVSS	-	Ground	51	OSCO	-	
12	AVDD	-	Analog power supply	52	VDD	-	Power supply
13	CHG0	-		53	OSCI	-	
14	LPVSS	-	} Ground	54	VSS	-	Ground
15	VSS	-		55	SIRQ	I/O	Interrupt request
16	MIRQ	I/O	Interrupt request	56	SCS	I	Control port
17	MCS	I	Control port	57	SWR	I	Write
18	MWR	I	Write	58	SRD	I	Read
19	MRD	I	Read	59	SA	-	
20	MA	-		60	VSS	-	Ground
21	VDD	-	Power supply	61	VDD	-	Power supply
22	MD0	I/O	} DRAM data bus	62	SD0	I/O	} Serial data
23	MD1	I/O		63	SD1	I/O	
24	MD2	I/O		64	SD2	I/O	
25	MD3	I/O		65	SD3	I/O	
26	MD4	I/O		66	SD4	I/O	
27	MD5	I/O		67	SD5	I/O	
28	MD6	I/O		68	SD6	I/O	
29	MD7	I/O		69	SD7	I/O	
30	VSS	-	Ground	70	VSS	-	Ground
31	MD8	I/O	DRAM data bus	71	SD8	I/O	Serial data
32	VDD	-	Power supply	72	VDD	-	Power supply
33	MD9	I/O	} DRAM data bus	73	SD9	I/O	} Serial data
34	MD10	I/O		74	SD10	I/O	
35	MD11	I/O		75	SD11	I/O	
36	MD12	I/O		76	SD12	I/O	
37	MD13	I/O		77	SD13	I/O	
38	MD14	I/O		78	SD14	I/O	
39	MD15	I/O		79	SD15	I/O	
40	VSS	-	Ground	80	VSS	-	Ground

● MBCG46183-129PFV-G (XV833A00) SIO4 (Gate Array)

DM2-EL: IC060

PIN NO.	NAME	I/O	FUNCTION	PIN NO.	NAME	I/O	FUNCTION
1	D5	I/O	} Data Bus	25	TX31	O	Transmit Data 31
2	D6	I/O		26	RX32	I	Receive Data 32
3	D7	I/O		27	TX32	O	Transmit Data 32
4	/IRQ0	I/O	Interrupt Request Port 0	28	RX33	I	Receive Data 33
5	/IRQ1	I/O	Interrupt Request Port 1	29	TX33	I/O	Transmit Data 33
6	VSS	-	Ground	30	/IC	I	Initial Clear
7	/IRQ2	I/O	Interrupt Request Port 2	31	VSS	-	Ground
8	IRQ3	I/O	Interrupt Request Port 3	32	XI	I	Quartz Crystal Input
9	/RD	I	Read Signal Input	33	VSS	-	Ground
10	/WR	I	Write Signal Input	34	XO	I/O	Quartz Crystal Output
11	/CE	I	Chip Enable Input	35	A0	I	} Address Bus
12	/ASTB	I	Address Strobe (Not used: to ground)	36	A1	I	
13	TESTSIO	I	Input with Pull-down Resistor (50k)	37	A2	I	
14	RX0	I	Receive Data 0	38	A3	I	
15	TX0	O	Transmit Data 0	39	A4	I	
16	RX1	I	Receive Data 1	40	A5	I	
17	TX1	O	Transmit Data 1	41	CPUCLK	I	CPU Clock
18	VSS	-	Ground	42	VSS	-	Ground
19	VDD	-	Power Supply	43	VDD	-	Power Supply
20	RX2	I	Receive Data 2	44	D0	I/O	} Data Bus
21	TX2/BO2	O	Transmit Data 2	45	D1	I/O	
22	RX30	I	Receive Data 30	46	D2	I/O	
23	TX30	O	Transmit Data 30	47	D3	I/O	
24	TX31	I	Receive Data 31	48	D4	I/O	

● YSS217-B-F (XM662A00) DSP-V (Digital Signal Processor)

VA: IC006

PIN NO.	NAME	I/O	FUNCTION	PIN NO.	NAME	I/O	FUNCTION
1	/NSYS	I	Format select	65	A16	O	Address bus
2	R/W	I	Read/write control	66	A17	O	
3	/DS	I	Data strobe	67	A18	O	
4	/RD	I	Read	68	A19	O	
5	/WR	I	Write	69	Vss		Ground
6	/CS	I	Chip select	70	Vss		
7	Vss		Ground	71	D0	I/O	Data bus
8	Vss						
9	CA5	I					
10	CA4	I					
11	CA3	I	Host CPU address bus	72	D1	I/O	
12	CA2	I					
13	CA1	I					
14	CA0	I					
15	NC		Ground	76	D5	I/O	
16	CD15	I/O					
17	CD14	I/O	Host CPU data bus	77	D6	I/O	
18	CD13	I/O					
19	CD12	I/O					
20	CD11	I/O					
21	CD10	I/O					
22	CD9	I/O					
23	CD8	I/O					
24	CD7	I/O					
25	CD6	I/O					
26	CD5	I/O					
27	CD4	I/O	Data bus	78	D7	I/O	
28	CD3	I/O					
29	CD2	I/O					
30	CD1	I/O					
31	CD0	I/O					
32	NC			Ground	79	D8	I/O
33	/IRQ	O					
34	/CSTUS	I/O		Interrupt request Common status	80	D9	I/O
35	DMOH	O		Monitor	81	D10	I/O
36	DMOL	O					
37	VOH	O	VOP	82	D11	I/O	
38	VOL	O					
39	MO1	O	MEL	83	D12	I/O	
40	MO2	O					
41	NC		Not used	84	D13	I/O	
42	V _{DD}						
43	V _{DD}		Power supply	85	D14	I/O	
44	NC						
45	/WE	I	Write enable	86	D15	I/O	
46	/OE	I	Output enable	87	NC		Not used
47	/CE	I	Chip enable	88	D16	I/O	
48	Vss		Ground	89	D17	I/O	
49	A0	O	Address bus	90	D18	I/O	
50	A1	O					
51	A2	O					
52	A3	O					
53	A4	O					
54	A5	O					
55	A6	O					
56	A7	O					
57	A8	O					
58	A9	O					
59	A10	O	Clock	91	D19	I/O	
60	A11	O					
61	A12	O	MEL	92	D20	I/O	
62	A13	O					
63	A14	O	VOP	93	D21	I/O	
64	A15	O					
				94	D22	I/O	
				95	D23	I/O	
				96	D24	I/O	
				97	D25	I/O	
				98	D26	I/O	
				99	D27	I/O	
				100	D28	I/O	
				101	D29	I/O	
				102	D30	I/O	
				103	D31	I/O	
				104	/TST0	I	Test pin
				105	/TST1	I	
				106	/TST2	I	
				107	V _{DD}		Power supply
				108	V _{DD}		
				109	XTAL	I	Clock
				110	EXTAL	O	
				111	Vss		Ground
				112	Vss		
				113	NC		Not used
				114	Vss		
				115	DCLK	O	Clock
				116	/SYNC	I	
				117	NC		Not used
				118	DCLK	I	
				119	/SYNC	I	Clock
				120	/IC	I	
				121	CLK6.4M	O	Clock
				122	CLK3.2M	O	
				123	SYW	O	Initial clear
				124	CLK12.8	O	
				125	MI2	I	MEL
				126	MI1	I	
				127	VIL	I	VOP
				128	VIH	I	

● **μPD780031AYGK-N07 (X4800200) LKS**

PK-L: IC001 (ELS-01), PK-L: IC001 (ELS-01C)

PIN NO.	NAME	I/O	FUNCTION	PIN NO.	NAME	I/O	FUNCTION
1	P50/A8	I/O	Port 5 / Higher address bus	33	P10/ANIO	I	Port 1 / A/D converter analog input
2	P51/A9	I/O		34	AV _{REF}	I	
3	P51/A10	I/O		35	AV _{DD}	-	Analog power supply
4	P53/A11	I/O		36	RESET	I	System reset input
5	P54/A12	I/O		37	XT2	-	Subsystem clock oscillation
6	P55/A13	I/O		38	XT1	I	
7	P56/A14	I/O		39	IC	-	Internally connected
8	P57/A15	I/O		40	X2	-	Main system clock oscillation
9	V _{SS0}	-	41	X1	I		
10	V _{DD0}	-	42	V _{SS1}	-	Ground	
11	P30	I/O	Port 3	43	P00/INTP0	I/O	Port 0 / External interrupt request input
12	P31	I/O		44	P01/INTP1	I/O	
13	P32/SDA0	I/O	Port 3 / Serial data input/output	45	P02/INTP2	I/O	Port 0 / External interrupt request input / Trigger signal input
14	P33/SCL0	I/O	Port 3 / Serial clock input/output	46	P03/INTP3/ADTRG	I/O	
15	P34	I/O	Port 3	47	P70/TI00/T00	I/O	Port 7 / External count clock input / 16-bit timer/event counter 0 output
16	P35	I/O		48	P71/TI01	I/O	Port 7 / Capture trigger input
17	P36	I/O		49	P72/TI50/T050	I/O	Port 7 / External count clock input / 8-bit timer/event counter 50 output
18	P20/SI30	I/O	Port 2 / Serial data input	50	P73/TI51/T051	I/O	Port 7 / External count clock input / 8-bit timer/event counter 51 output
19	P21/SO30	I/O	Port 2 / Serial data output	51	P74/PCL	I/O	Port 7 / Clock output
20	P22/SCK30	I/O	Port 2 / Serial clock input/output	52	P75/BUZ	I/O	Port 7 / Buzzer output
21	P23RxD0	I/O	Port 2 / Serial data input	53	P64/RD	I/O	Port 6 / Strobe signal output for reading
22	P24/TxD0	I/O	Port 2 / Serial data output	54	P65/WR	I/O	Port 6 / Strobe signal output for writing
23	P25/ASCK0	I/O	Port 2 / Serial clock input/output	55	P66/WAIT	I/O	Port 6 / Wait insertion
24	V _{DD1}	-	Power supply	56	P67/ASTB	I/O	Port 6 / Strobe output
25	AV _{SS}	-	Ground	57	P40/AD0	I/O	Port 4 / Lower address/data bus
26	P17/ANI7	I	Port 1 / A/D converter analog input	58	P41/AD1	I/O	
27	P16/ANI6	I		59	P42/AD2	I/O	
28	P15/ANI5	I		60	P43/AD3	I/O	
29	P14/ANI4	I		61	P44/AD4	I/O	
30	P13/ANI3	I		62	P45/AD5	I/O	
31	P12/ANI2	I		63	P46/AD6	I/O	
32	P11/ANI1	I		64	A47/AD7	I/O	

● **HD6433693A37H (X4801100) FSVK (CPU: H8/3694)**

EMKS-FA: IC005, EMKS-FB: IC005,
EMKS-FC: IC005, EMKS-FD: IC005

PIN NO.	NAME	I/O	FUNCTION	PIN NO.	NAME	I/O	FUNCTION
1	NC		Not used	33	NC		Not used
2	NC			34	NC		
3	AV _{CC}	-	Power supply	35	NM _I	I	Non maskable interrupt
4	X2	O	Crystal resonator	36	P80/FTCI	I/O	8-bit I/O port / External event input
5	X1	I		37	P81/FTIOA	I/O	8-bit I/O port / Output compare
6	V _{CL}	-	Power supply	38	P82/FTIOB	I/O	8-bit I/O port / Output / input capture
7	RES	I	Reset pin	39	P83/FTIOC	I/O	8-bit I/O port / Input PWM
8	TEST	I	Test pin	40	P84/FTIOD	I/O	8-bit I/O port / Output
9	V _{SS}	-	Ground	41	P85	I/O	8-bit I/O port
10	OSC2	O	Crystal or ceramic resonator	42	P86	I/O	
11	OSC1	I		43	P87	I/O	
12	V _{CC}	-	Power supply	44	P20/SCK3	I/O	3-bit I/O port / Clock
13	P50/WKP0	I/O	8-bit I/O port / Interrupt request	45	P21/RXD	I/O	3-bit I/O port / Receive data input
14	P51/WKP1	I/O		46	P22/TXD	I/O	3-bit I/O port / Transmit data output
15	NC		Not used	47	NC		
16	NC			48	NC		
17	NC			49	NC		
18	NC			50	NC		
19	P52/WKP2	I/O	8-bit I/O port / Interrupt request	51	P14/IRQ0	I/O	7-bit I/O port / Interrupt request
20	P53/WKP3	I/O		52	P15/IRQ1	I/O	
21	P54/WKP4	I/O		53	P16/IRQ2	I/O	
22	P55/WKPS/ADTRG	I/O	8-bit I/O port / Interrupt request / A/D converter trigger	54	P17/IRQ3/TRGV	I/O	7-bit I/O port / Interrupt request / Trigger input
23	P10/TMOV	I/O	7-bit I/O port	55	PB4/AN4	I/O	8-bit I/O port / Analog input
24	P11	I/O		56	PB5/AN5	I/O	
25	P12	I/O	57	PB6/AN6	I/O		
26	SDA	I/O	IIC data I/O pin	58	PB7/AN7	I/O	
27	SCL	I/O	59	PB3/AN3	I/O		
28	P74/TMRIV	I/O	3-bit I/O port / Timer	60	PB2/AN2	I/O	
29	P75/TMCIV	I/O		61	PB1/AN1	I/O	
30	P76/TMOV	I/O		62	PB0/AN0	I/O	
31	NC		Not used	63	NC		
32	NC			64	NC		

● **μPD780031AYGK-N05 (XZ916200) LED DRIVER/SWITCH SCAN**

PMDEA: IC1, PMDEB: IC2, PMDEC1: IC1,
PMDEC2: IC1, PMDEC3: IC1

PIN NO.	NAME	I/O	FUNCTION	PIN NO.	NAME	I/O	FUNCTION
1	P50/A8	I/O	Port 5 / Higher address bus	33	P10/ANIO	I	Port 1 / A/D converter analog input
2	P51/A9	I/O		34	AVREF	I	
3	P51/A10	I/O		35	AVDD	-	Analog power supply
4	P53/A11	I/O		36	RESET	I	System reset input
5	P54/A12	I/O		37	XT2	-	Subsystem clock oscillation
6	P55/A13	I/O		38	XT1	I	
7	P56/A14	I/O		39	IC	-	Internally connected
8	P57/A15	I/O		40	X2	-	Main system clock oscillation
9	Vss0	-	41	X1	I		
10	V _{DD0}	-	42	Vss1	-	Ground	
11	P30	I/O	Port 3	43	P00/INTP0	I/O	Port 0 / External interrupt request input
12	P31	I/O		44	P01/INTP1	I/O	
13	P32/SDA0	I/O	Port 3 / Serial data input/output	45	P02/INTP2	I/O	Port 0 / External interrupt request input / Trigger signal input
14	P33/SCL0	I/O	Port 3 / Serial clock input/output	46	P03/INTP3/ADTRG	I/O	
15	P34	I/O	Port 3	47	P70/TI00/TO0	I/O	Port 7 / External count clock input / 8-bit timer/event counter 0 output
16	P35	I/O		48	P71/TI01	I/O	Port 7 / Capture trigger input
17	P36	I/O		49	P72/TI50/TO50	I/O	Port 7 / External count clock input / 8-bit timer/event counter 50 output
18	P20/SI30	I/O	Port 2 / Serial data input	50	P73/TI51/TO51	I/O	Port 7 / External count clock input / 8-bit timer/event counter 51 output
19	P21/SO30	I/O	Port 2 / Serial data output	51	P74/PCL	I/O	Port 7 / Clock output
20	P22/SCK30	I/O	Port 2 / Serial clock input/output	52	P75/BUZ	I/O	Port 7 / Buzzer output
21	P23RxD0	I/O	Port 2 / Serial data input	53	P64/RD	I/O	Port 6 / Strobe signal output for reading
22	P24TxD0	I/O	Port 2 / Serial data output	54	P65/WR	I/O	Port 6 / Strobe signal output for writing
23	P25/ASCK0	I/O	Port 2 / Serial clock input/output	55	P66/WAIT	I/O	Port 6 / Wait insertion
24	V _{DD1}	-	Power supply	56	P67/ASTB	I/O	Port 6 / Strobe output
25	AVss	-	Ground	57	P40/AD0	I/O	Port 4 / Lower address/data bus
26	P17/ANI7	I	Port 1 / A/D converter analog input	58	P41/AD1	I/O	
27	P16/ANI6	I		59	P42/AD2	I/O	
28	P15/ANI5	I		60	P43/AD3	I/O	
29	P14/ANI4	I		61	P44/AD4	I/O	
30	P13/ANI3	I		62	P45/AD5	I/O	
31	P12/ANI2	I		63	P46/AD6	I/O	
32	P11/ANI1	I		64	A47/AD7	I/O	

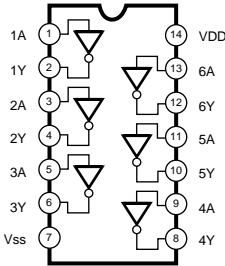
● **AK4393-VF-E2 (XW029A00) DAC (Digital to Analog Converter)**

DAC1A: IC301

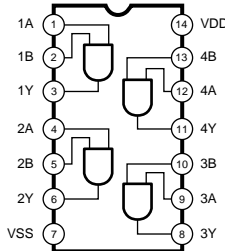
PIN NO.	NAME	I/O	FUNCTION	PIN NO.	NAME	I/O	FUNCTION
1	DVSS	-	Digital ground	15	BVSS	-	Substrate ground
2	DVDD	-	Digital power supply	16	VREFL	I	Low level voltage reference
3	MCLK	I	Master clock	17	VREFH	I	High level voltage reference
4	/PD	I	Power down mode	18	AVDD	-	Analog power supply +5 V
5	BICK	I	Audio serial data clock	19	AVSS	-	Analog ground
6	SDATA	I	Audio serial data input	20	AOUTR-	O	Rch negative analog output
7	LRCK	I	L/R clock	21	AOUTR+	O	Rch positive analog output
8	SMUTE//CS	I	Soft mute	22	AOURL-	O	Lch negative analog output
9	DFS	I	Double speed sampling mode	23	AOURL+	O	Lch positive analog output
10	DEM0/CCLK	I	De-emphasis enable	24	VCOM	O	Common voltage output
11	DEM1/CDTI	I		25	P//S	I	Parallel/serial select
12	DIF0	I	Digital input format	26	CKS0	I	Master clock select
13	DIF1	I		27	CKS1	I	
14	DIF2	I		28	CKS2	I	

IC BLOCK DIAGRAM

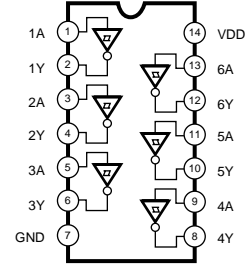
- **SN74AHCT04NSR** (X3681A00)
 - **TC74VHCT04AF** (XT777A00)
- Hex Inverter
DJACK: IC301



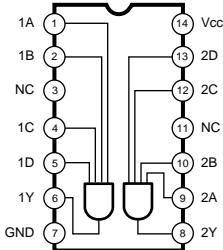
- **HD74LVC08TELL** (X4961A00)
- Quad 2 Input AND
DM2-EL: IC032,033



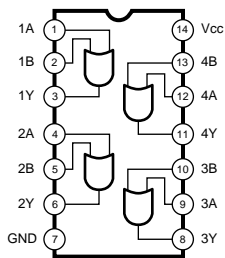
- **TC74VHC14FT** (XV890A00)
 - **TC74VHC14F-EL** (XW876A00)
- Hex Inverter
DM2-EL: IC002,005,009,012,040
TG1-E1: IC021
TG1-E2: IC021
TG1-E3: IC021
TG2A (TG2): IC023
VA: IC001,002
MBR: IC102



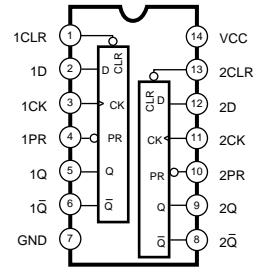
- **HD74LV21ATELL** (X0010A00)
- AND
DM2-EL: IC024



- **HD74LVC32FP** (XS792A00)
 - **TC74VHC32FT** (XY945A00)
 - **TC74VHCT32AFT-EL** (XZ372A00)
- Quad 2 Input OR
MBL: IC200
MBR: IC101
DM2-EL: IC001,016,037,044,058

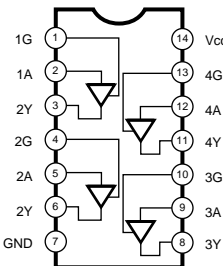


- **TC74VHC74FT** (XV892A00)
- Dual D-Type Flip-Flop
DM2-EL: IC061
VA: IC004,005

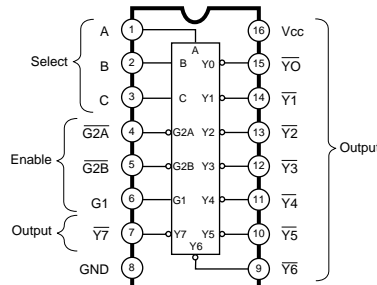


INPUTS				OUTPUTS	
PR	CLR	CLK	D	Q	Q
L	H	X	X	H	L
H	L	X	X	L	H
L	L	X	X	H	H
H	H	f	H	H	L
H	H	f	L	L	H
H	H	L	X	Q _o	Q _o

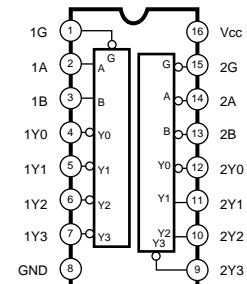
- **HD74LV126ATELL** (X3123A00)
- Bus Buffer
DM2-EL: IC010



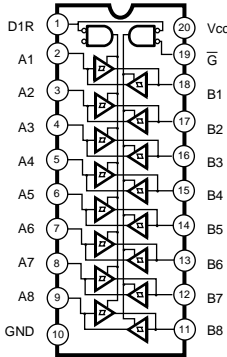
- **HD74LVC138TELL** (X4962A00)
 - **HD74LVC138FP** (XS963A00)
- 3 to 8 Demultiplexer
DM2-EL: IC029,030
TG1-E1: IC020
TG1-E2: IC020
TG1-E3: IC020
TG2A (TG2): IC022



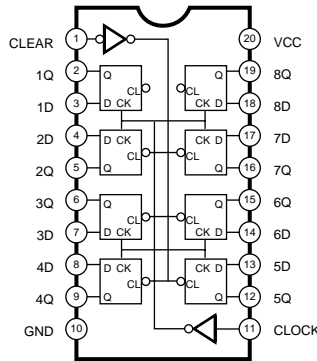
- **HD74LVC139TELL** (X4963A00)
- Dual 2 to 4 Demultiplexer
DM2-EL: IC031



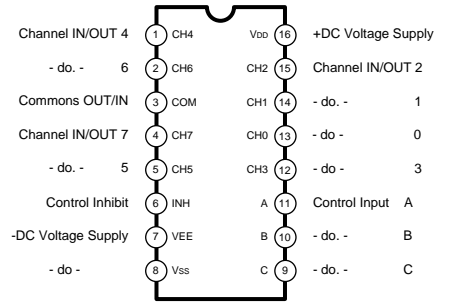
- **HD74LVC245ATELL** (XW148A00)
 - **HD74LV245ATELL** (XW744A00)
 - **HD74LV245AFPEL** (IS024500)
- Octal 3-State Bus Transceiver
 DM2-EL: IC020,023,027,028,042,043,054,
 056,057
 MBR: IC100



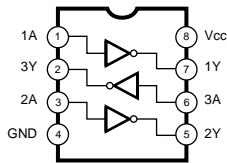
- **HD74LV273ATELL** (X2689A00)
- Octal D-Type Flip Flop
 DM2-EL: IC036,041



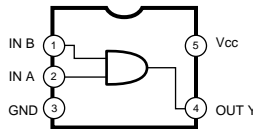
- **TC74HC4051AFEL** (XY549A00)
- Single 8-Channel
 Multiplexer/Demultiplexer
 EMKS-FA: IC001
 EMKS-FB: IC001



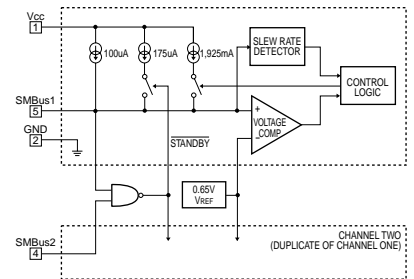
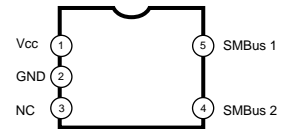
- **TC7WU04F** (XN567A00)
- Triple Inverter
 DM2-EL: IC059



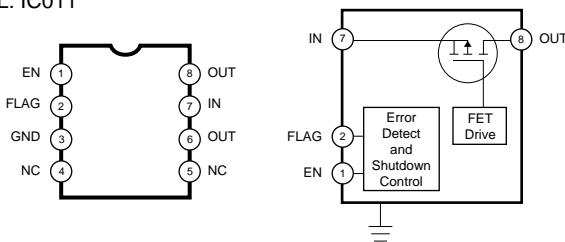
- **TC7S08F** (XM616A00)
- 2 Input AND Gate
 DM2-EL: IC015



- **LTC1694-1CS5** (X5367A00)
- SMBus Accelerator
 TA: IC001-004

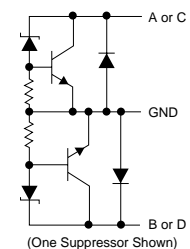
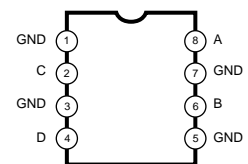


- **LM3525MX-H** (X3119A00)
- USB Power Switch
 DM2-EL: IC011

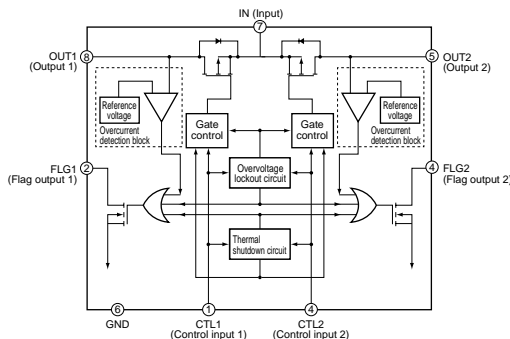
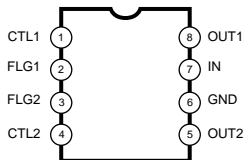


Pin No.	Pin Name	Pin Function
1	EN (LM3525-L) EN (LM3525-H)	Enable (Input): Logic-compatible enable input.
2	FLAG	Fault Flag (Output): Active-low, open-drain output. Indicates overcurrent, UVLO, and thermal shutdown.
3	GND	Ground.
4,5	NC	Not internally connected.
7	IN	Supply Input: Input to the power switch and the supply voltage for the IC.
6,8	OUT	Switch Output: Output of the high side switch. Pins 6 and 8 must be tied together.

- **SN75240P** (X5108A00)
- USB Transient Suppressor
 DJACK: IC101

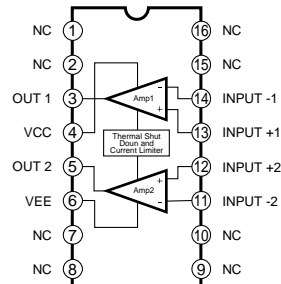


● **UPD16875G (X4722A00)**
USB Power switch
 HUB: IC004

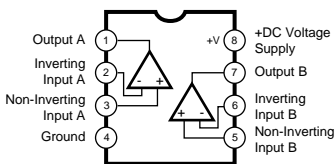


Pin No.	Pin Name	Pin Function
1/4	CTL1/CTL2	Control input: Active-low, TTL input
2/3	FLG1/FLG2	Detection flag (output): Active-low.Neh open-drain
6	GND	Ground
7	IN	Power input: Source of MOSFET for output. Power supply to internal circuitry of IC.
8/5	OUT1/OUT2	Switch output: Drain of MOSFET for output. Usually, connected to load.

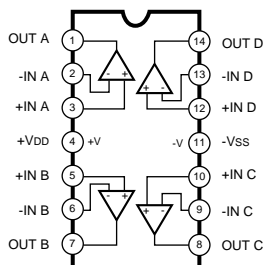
● **LA6517M-TE-R (XT131A00)**
Dual Power Operational Amplifier
 AJACK: IC003



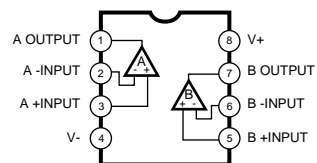
● **NJM3414AM(T1) (XR294A00)**
Dual Operational Amplifier
 DM2-EL: IC008



● **μPC4574G2 (XE518A00)**
Quad Operational Amplifier
 MSP: IC001,002
 EQ: IC002-005



● **NJM2100D (XZ435A00)**
 ● **NJM2100V (X2538A00)**
 ● **μPC4570G2 (XF291A00)**
Dual Operational Amplifier
 AJACK: IC001,002
 DAC1A: IC302,402-404
 EMKS-FC: IC002
 EMKS-FD: IC002
 EQ: IC001
 MIC: IC100
 MSP: IC003
 PK-H: IC003 (ELS-01)
 PK-H: IC001-003 (ELS-01C)



■ CIRCUIT BOARDS

•ELS-01/ELS-01C common

AJACK Circuit Board (X4416B0)	60	MSP Circuit Board (X4412B0)	82
CN Circuit Board (X4416B0)	60	MVR Circuit Board (X4393D0)	73
CP1 Circuit Board (X4395B0)	61/62	NW Circuit Board (X4414A0)	93
CP2 Circuit Board (X4396C0)	64/66	PK-H Circuit Board (X4300C0)	88/89
CP3 Circuit Board (X4391D0)	63	PK-L Circuit Board (X4299C0)	90/91
CP4 Circuit Board (X4395B0)	61/62	PMDEA Circuit Board (X4540C0)	92
DAC1A Circuit Board (X5174B0)	70	PMDEB Circuit Board (X4389D0)	93
DJACK Circuit Board (X4470D0)	70	PMDEC Circuit Board (X4387C0)	92
DM2-EL Circuit Board (X4383C0)	71/72	PN1 Circuit Board (X4391D0)	68
EMKS-F Circuit Board (X4271E0)	83	PN2 Circuit Board (X4391D0)	69
ENC1 Circuit Board (X4393D0)	73	Power Supply Unit	83
ENC2 Circuit Board (X4393D0)	73	PRM (DM) Circuit Board (X4415B0)	94
EQ Circuit Board (X4413A0)	74	PRM (SP AMP) Circuit Board (X4415B0) ..	94
EXP (2CH) Circuit Board (XI345A0)	74	PS1 Circuit Board (X4399D0)	95
HP Circuit Board (XQ795A0)	75	PS2 Circuit Board (X4399D0)	95
KNELEV Circuit Board (XI347A0)	75	SM Circuit Board (X4511C0)	92
MA80N Circuit Board (X4384D0)	76/77	TA Circuit Board (X4438D0)	100
MBL Circuit Board (X4521C0)	78/79	TEMPO Circuit Board (X4393D0)	73
MBR Circuit Board (X4521C0)	80/81	TG1-E1 Circuit Board (X4411C0)	96/97
MIC Circuit Board (XV507D0)	82	TG1-E2 Circuit Board (X4411C0)	96/97
MK49L Circuit Board (X4270C0)	84/85	TG2A (TG2) Circuit Board (X4382C0) ..	98/99
MKH Circuit Board (X4269E0)	86/87		

•ELS-01C

EXP (2ND) Circuit Board (XI346A0)	74	TG1-E3 Circuit Board (X4411C0)	96/97
HUB Circuit Board (X4731A0)	75	VA Circuit Board (X4437B0)	101
SW Circuit Board (X4416B0)	60		

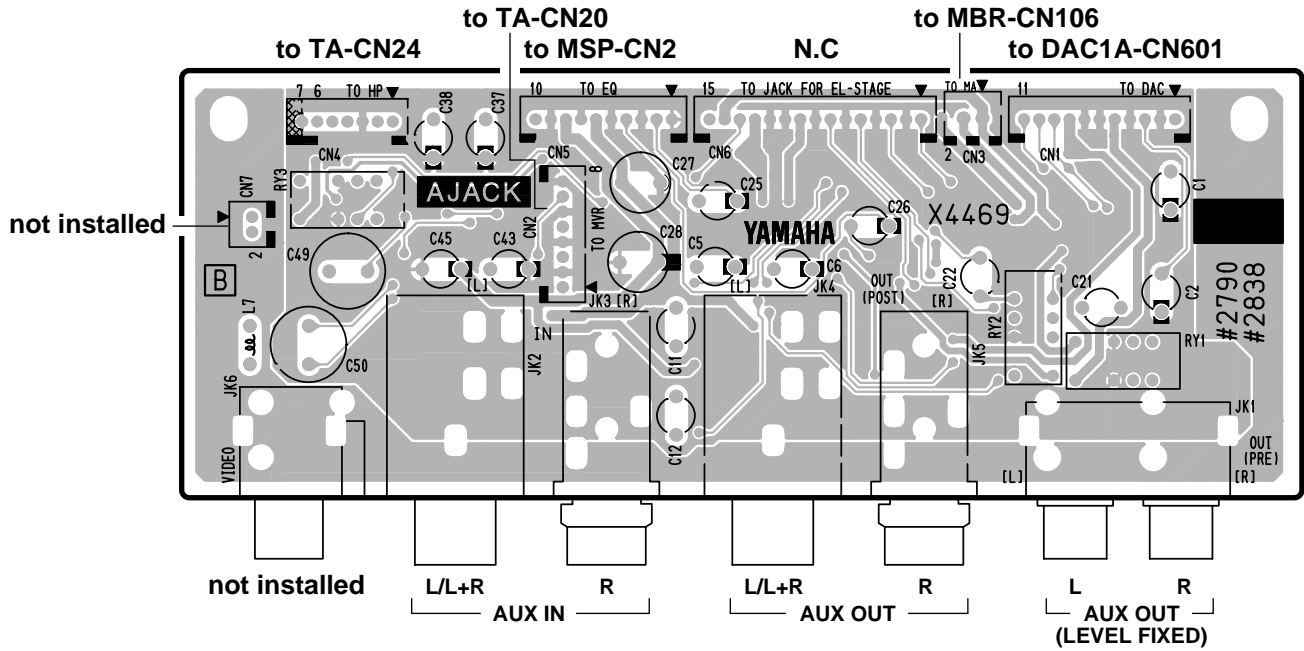
Note: See parts list for details of circuit board component parts.

The connector number of a substrate figure about CP3, PN1, and PN2 sheet differs from a parts list and a circuit board.

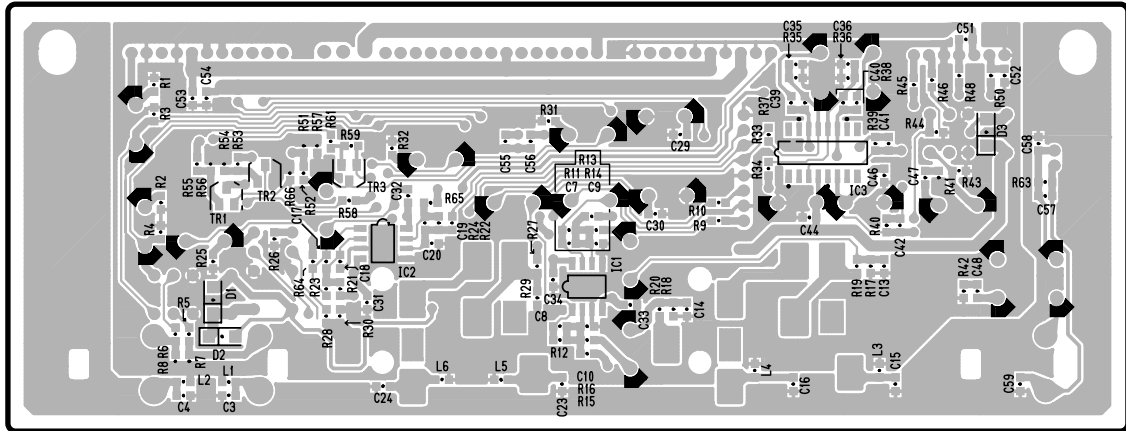
<Example>

Sheet name	Circuit board	Parts list, Circuit diagram
CP3	CN301	CN1
PN1	CN102	CN2
PN2	CN202	CN2

• AJACK Circuit Board (ELS-01/ELS-01C)

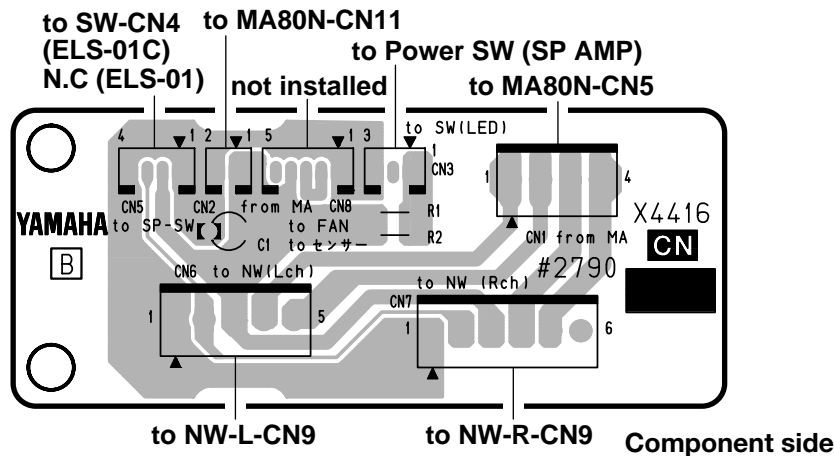


Component side

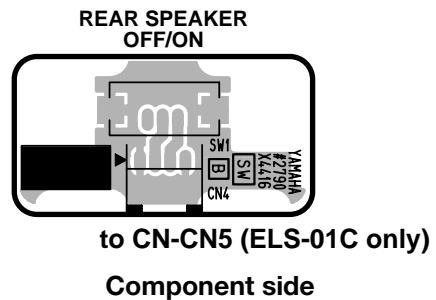


Pattern side

• CN Circuit Board (ELS-01/ELS-01C)

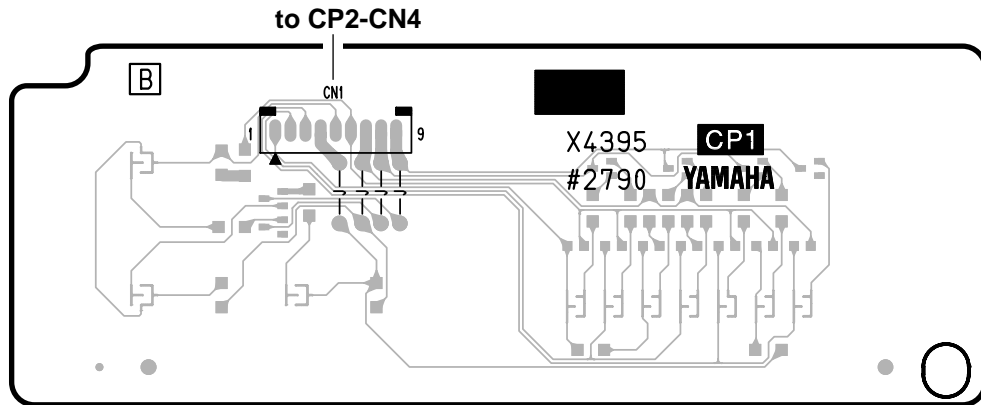


• SW Circuit Board (ELS-01C)



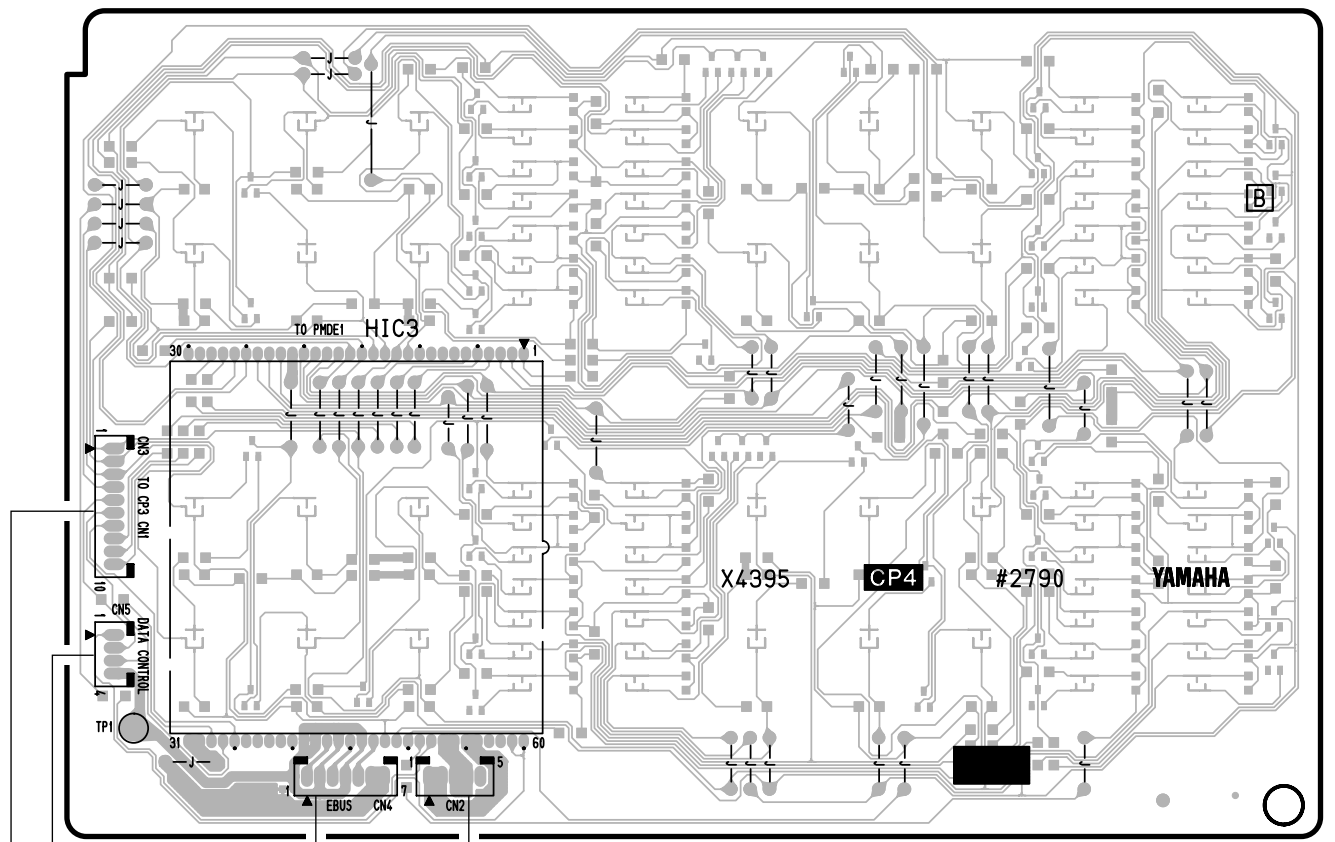
- AJACK: 2NA-WB5550-1
- CN: 2NA-WB74410-1
- SW: 2NA-WB74420-1

• CP1 Circuit Board (ELS-01/ELS-01C)



Component side

• CP4 Circuit Board (ELS-01/ELS-01C)

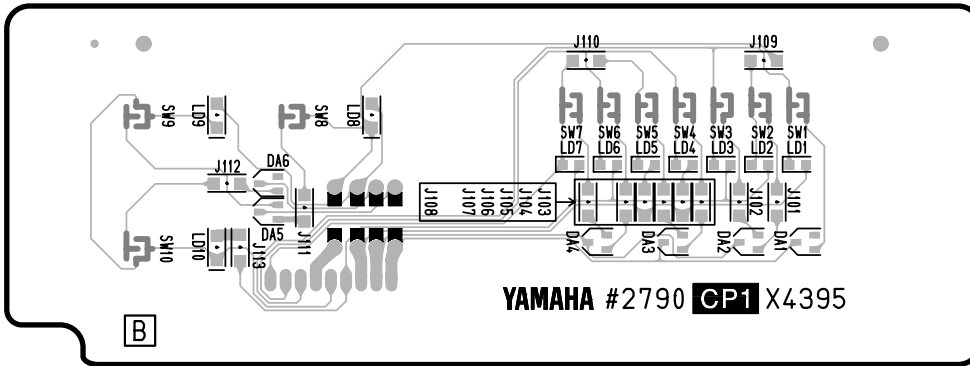


Component side

to ENC2-CN3 to CP2-CN2 to CP2-CN3
to CP3-CN301 (CN1)

CP1: 2NA-WB42320-1
CP4: 2NA-WB42320-1

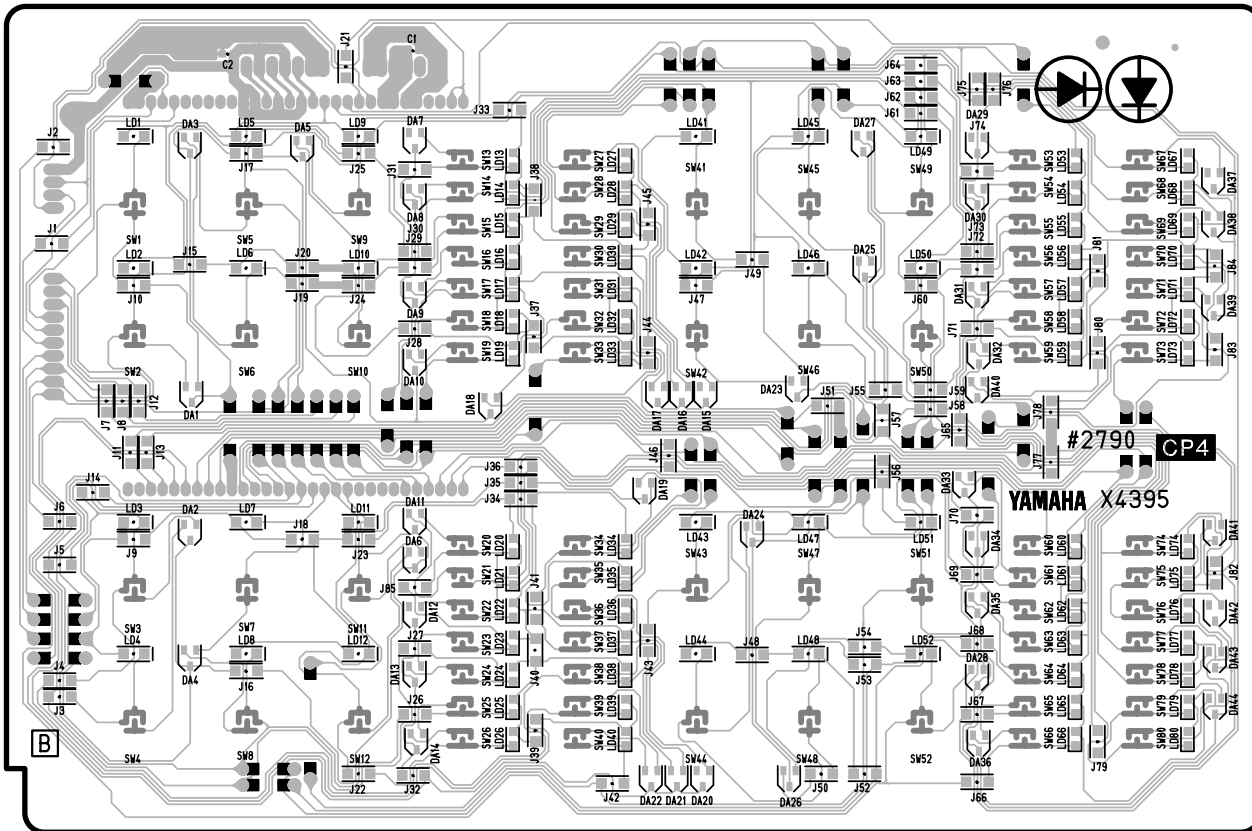
● CP1 Circuit Board (ELS-01/ELS-01C)



SW1	LD1	REVERB MAX 7	SW6	LD6	REVERB 2
SW2	LD2	REVERB 6	SW7	LD7	REVERB MIN 1
SW3	LD3	REVERB 5	SW8	LD8	SUSTAIN UPPER (KNEE)
SW4	LD4	REVERB 4	SW9	LD9	SUSTAIN LOWER (KNEE)
SW5	LD5	REVERB 3	SW10	LD10	SUSTAIN PEDAL

Pattern side

● CP4 Circuit Board (ELS-01/ELS-01C)



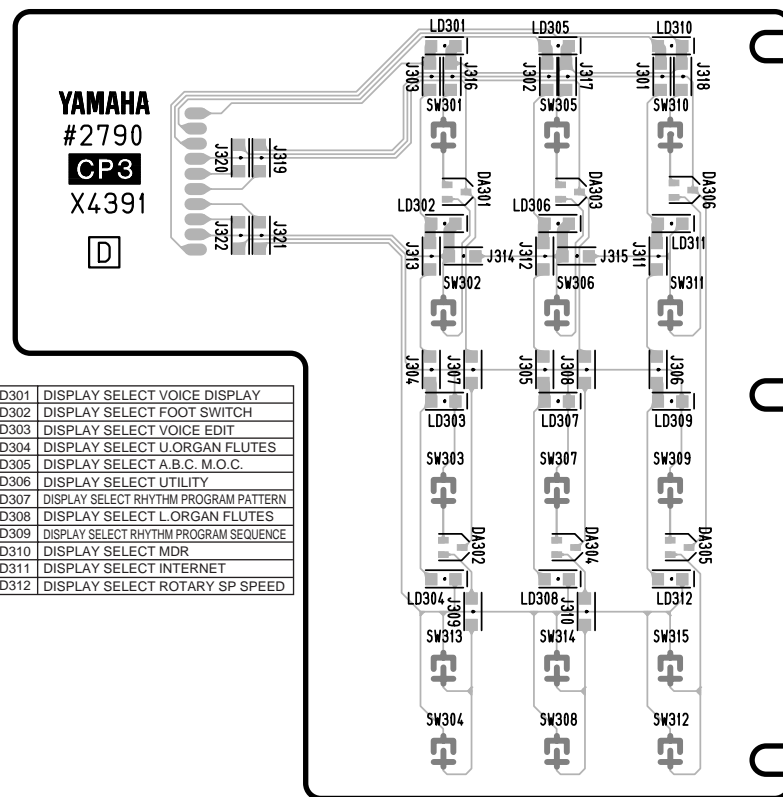
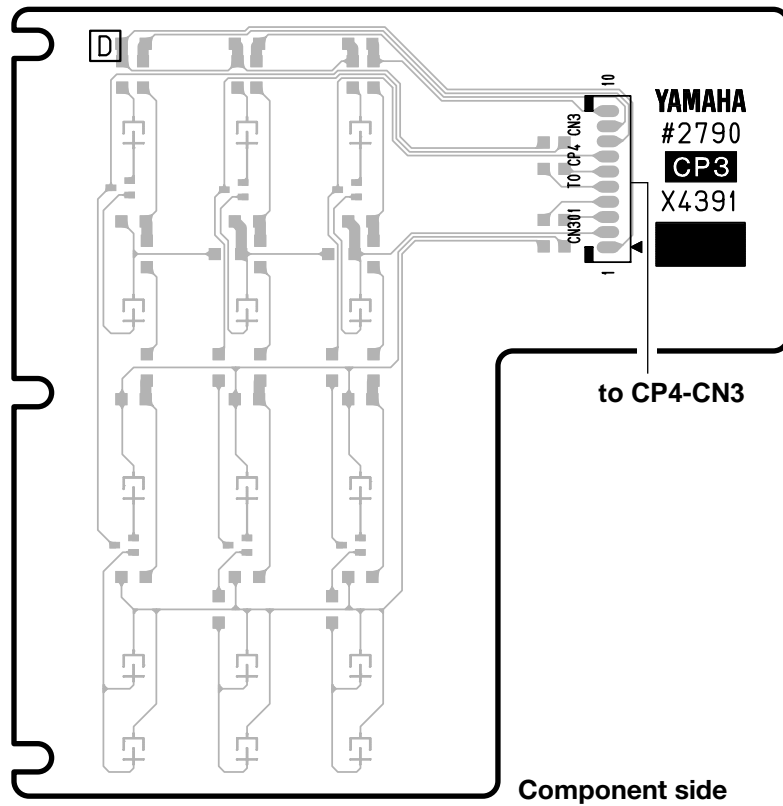
Pattern side

SW1	LD1	LEAD VOICE 1 VIOLIN	SW21	LD21	PEDAL VOICE 1 BRILLIANCE 6	SW41	LD41	LEAD VOICE 2 VA ACOUSTIC	SW61	LD61	PEDAL VOICE 2 BRILLIANCE 6
SW2	LD2	LEAD VOICE 1 FLUTE	SW22	LD22	PEDAL VOICE 1 BRILLIANCE 5	SW42	LD42	LEAD VOICE2 VA ELECTRONIC	SW62	LD62	PEDAL VOICE 2 BRILLIANCE 5
SW3	LD3	PEDAL VOICE 1 CONTRABASS	SW23	LD23	PEDAL VOICE 1 BRILLIANCE 4	SW43	LD43	PEDAL VOICE 2 CONTRABASS	SW63	LD63	PEDAL VOICE 2 BRILLIANCE 4
SW4	LD4	PEDAL VOICE 1 TIMPANI	SW24	LD24	PEDAL VOICE 1 BRILLIANCE 3	SW44	LD44	PEDAL VOICE 2 TIMPANI	SW64	LD64	PEDAL VOICE 2 BRILLIANCE 3
SW5	LD5	LEAD VOICE 1 SYNTH	SW25	LD25	PEDAL VOICE 1 BRILLIANCE 2	SW45	LD45	LEAD VOICE 2 VA VIRTUAL	SW65	LD65	PEDAL VOICE 2 BRILLIANCE 2
SW6	LD6	LEAD VOICE 1 TRUMPET	SW26	LD26	PEDAL VOICE 1 BRILLIANCE 1	SW46	LD46	LEAD VOICE 2 VA CUSTOM	SW66	LD66	PEDAL VOICE 2 BRILLIANCE 1
SW7	LD7	PEDAL VOICE 1 ELEC. BASS	SW27	LD27	LEAD VOICE 1 VOLUME 7	SW47	LD47	PEDAL VOICE 2 ELEC. BASS	SW67	LD67	LEAD VOICE 2 VOLUME 7
SW8	LD8	PEDAL VOICE 1 SYNTH BASS	SW28	LD28	LEAD VOICE 1 VOLUME 6	SW48	LD48	PEDAL VOICE 2 SYNTH BASS	SW68	LD68	LEAD VOICE 2 VOLUME 6
SW9	LD9	LEAD VOICE 1 1	SW29	LD29	LEAD VOICE 1 VOLUME 5	SW49	LD49	LEAD VOICE 2 1	SW69	LD69	LEAD VOICE 2 VOLUME 5
SW10	LD10	LEAD VOICE 1 TO LOWER ▼	SW30	LD30	LEAD VOICE 1 VOLUME 4	SW50	LD50	LEAD VOICE 2 SOLO(KNEE)	SW70	LD70	LEAD VOICE 2 VOLUME 4
SW11	LD11	PEDAL VOICE 1 1	SW31	LD31	LEAD VOICE 1 VOLUME 3	SW51	LD51	PEDAL VOICE 2 1	SW71	LD71	LEAD VOICE 2 VOLUME 3
SW12	LD12	PEDAL VOICE 1 TO LOWER ▲	SW32	LD32	LEAD VOICE 1 VOLUME 2	SW52	LD52	PEDAL VOICE 2 TO LOWER ▲	SW72	LD72	LEAD VOICE 2 VOLUME 2
SW13	LD13	LEAD VOICE 1 BRILLIANCE 7	SW33	LD33	LEAD VOICE 1 VOLUME 1	SW53	LD53	LEAD VOICE 2 BRILLIANCE 7	SW73	LD73	LEAD VOICE 2 VOLUME 1
SW14	LD14	LEAD VOICE 1 BRILLIANCE 6	SW34	LD34	PEDAL VOICE 1 VOLUME 7	SW54	LD54	LEAD VOICE 2 BRILLIANCE 6	SW74	LD74	PEDAL VOICE 2 BRILLIANCE 7
SW15	LD15	LEAD VOICE 1 BRILLIANCE 5	SW35	LD35	PEDAL VOICE 1 VOLUME 6	SW55	LD55	LEAD VOICE 2 BRILLIANCE 5	SW75	LD75	PEDAL VOICE 2 VOLUME 6
SW16	LD16	LEAD VOICE 1 BRILLIANCE 4	SW36	LD36	PEDAL VOICE 1 VOLUME 5	SW56	LD56	LEAD VOICE 2 BRILLIANCE 4	SW76	LD76	PEDAL VOICE 2 VOLUME 5
SW17	LD17	LEAD VOICE 1 BRILLIANCE 3	SW37	LD37	PEDAL VOICE 1 VOLUME 4	SW57	LD57	LEAD VOICE 2 BRILLIANCE 3	SW77	LD77	PEDAL VOICE 2 VOLUME 4
SW18	LD18	LEAD VOICE 1 BRILLIANCE 2	SW38	LD38	PEDAL VOICE 1 VOLUME 3	SW58	LD58	LEAD VOICE 2 BRILLIANCE 2	SW78	LD78	PEDAL VOICE 2 VOLUME 3
SW19	LD19	LEAD VOICE 1 BRILLIANCE 1	SW39	LD39	PEDAL VOICE 1 VOLUME 2	SW59	LD59	LEAD VOICE 2 BRILLIANCE 1	SW79	LD79	PEDAL VOICE 2 VOLUME 2
SW20	LD20	PEDAL VOICE 1 BRILLIANCE 7	SW40	LD40	PEDAL VOICE 1 VOLUME 1	SW60	LD60	PEDAL VOICE 2 BRILLIANCE 7	SW80	LD80	PEDAL VOICE 2 VOLUME 1

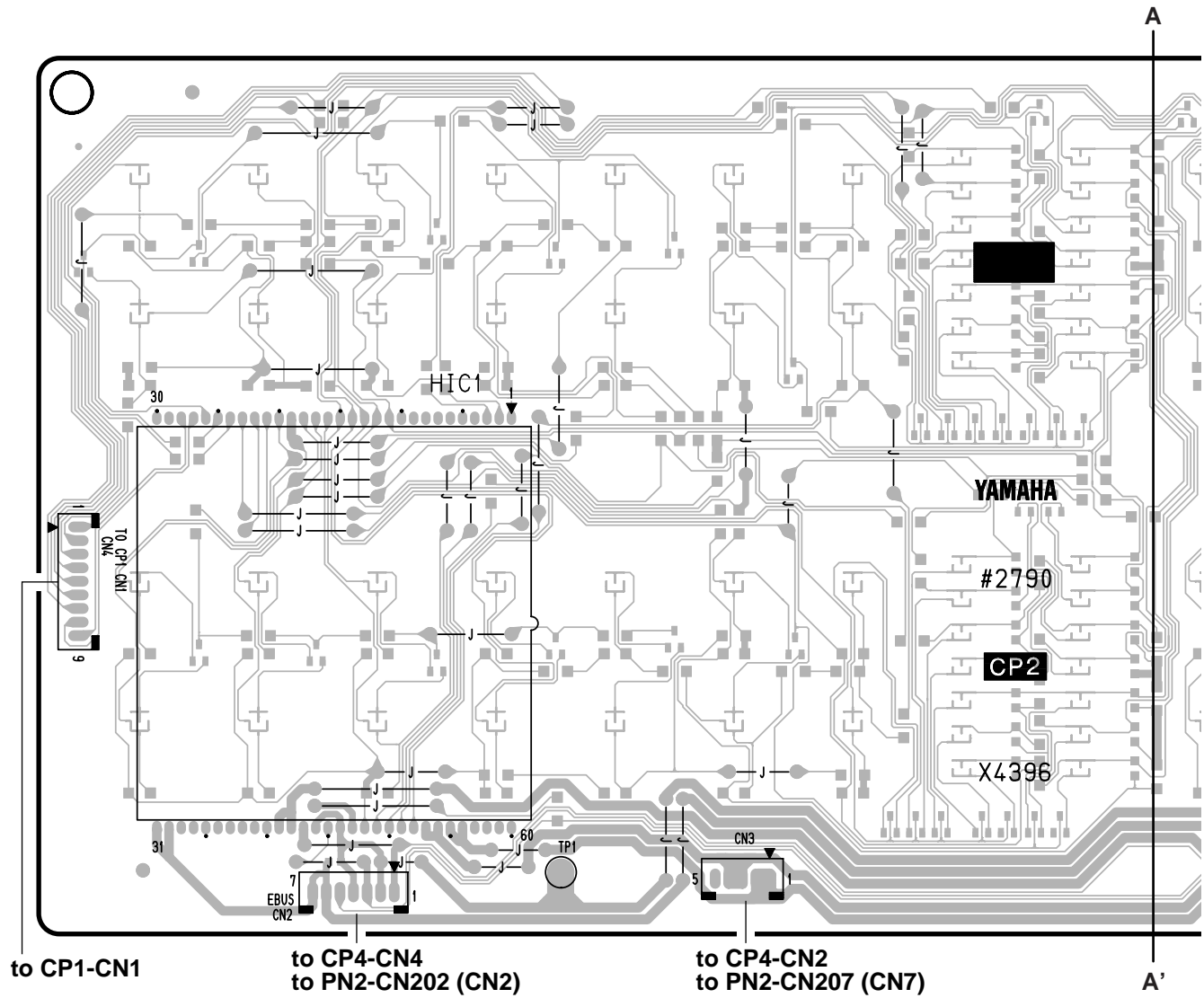
CP1: 2NA-WB42320-1

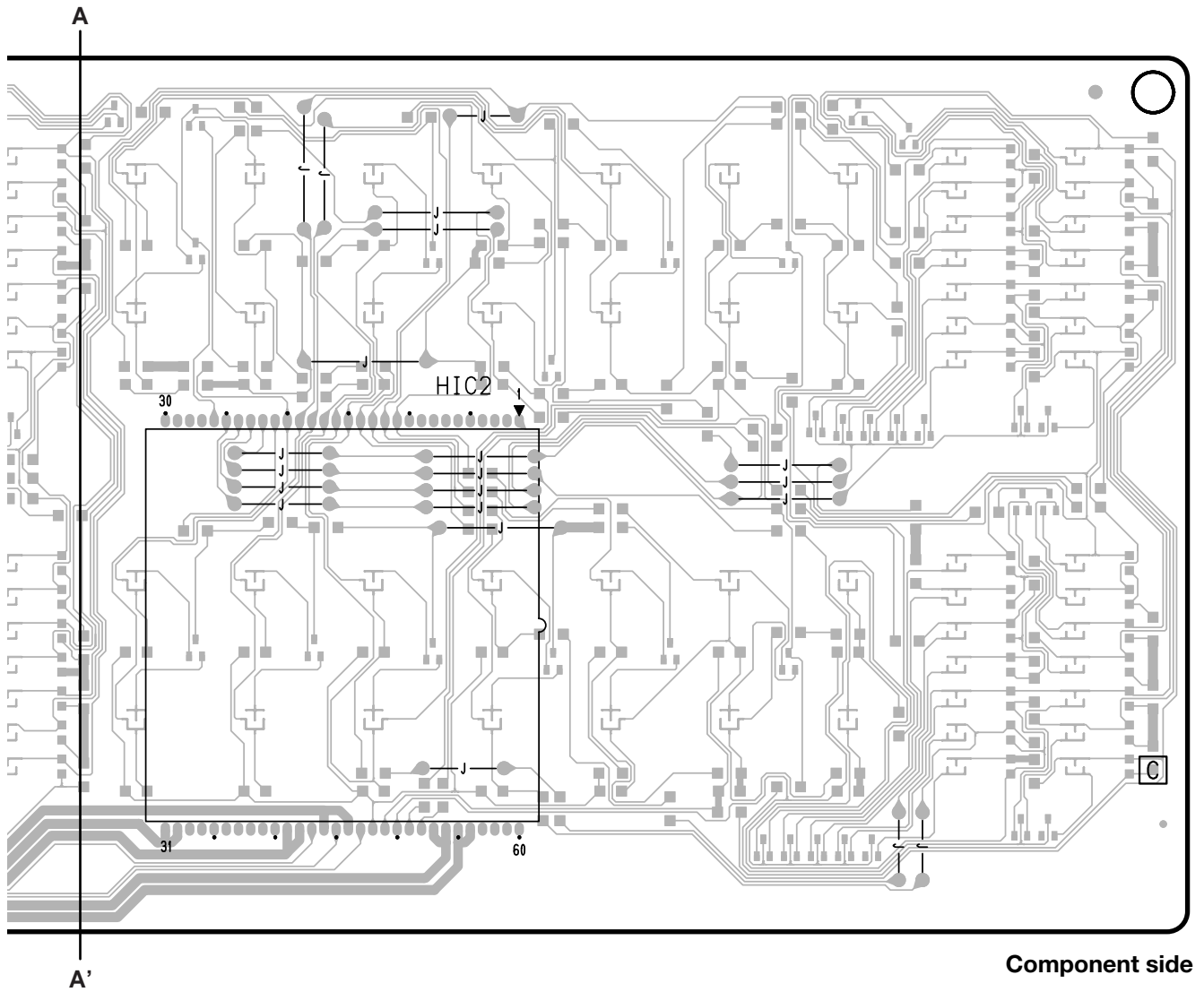
CP4: 2NA-WB42320-1

• CP3 Circuit Board (ELS-01/ELS-01C)

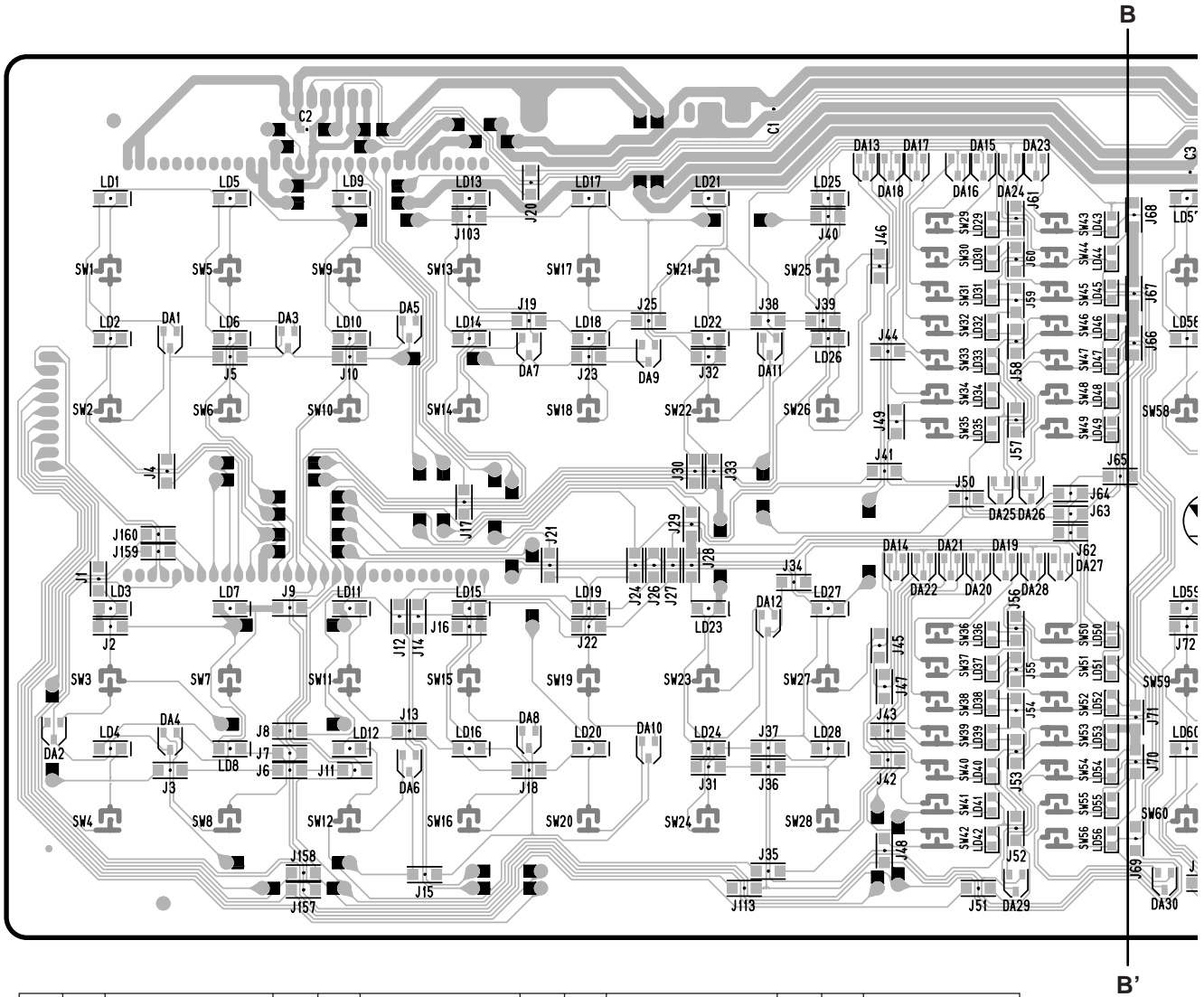


● CP2 Circuit Board (ELS-01/ELS-01C)

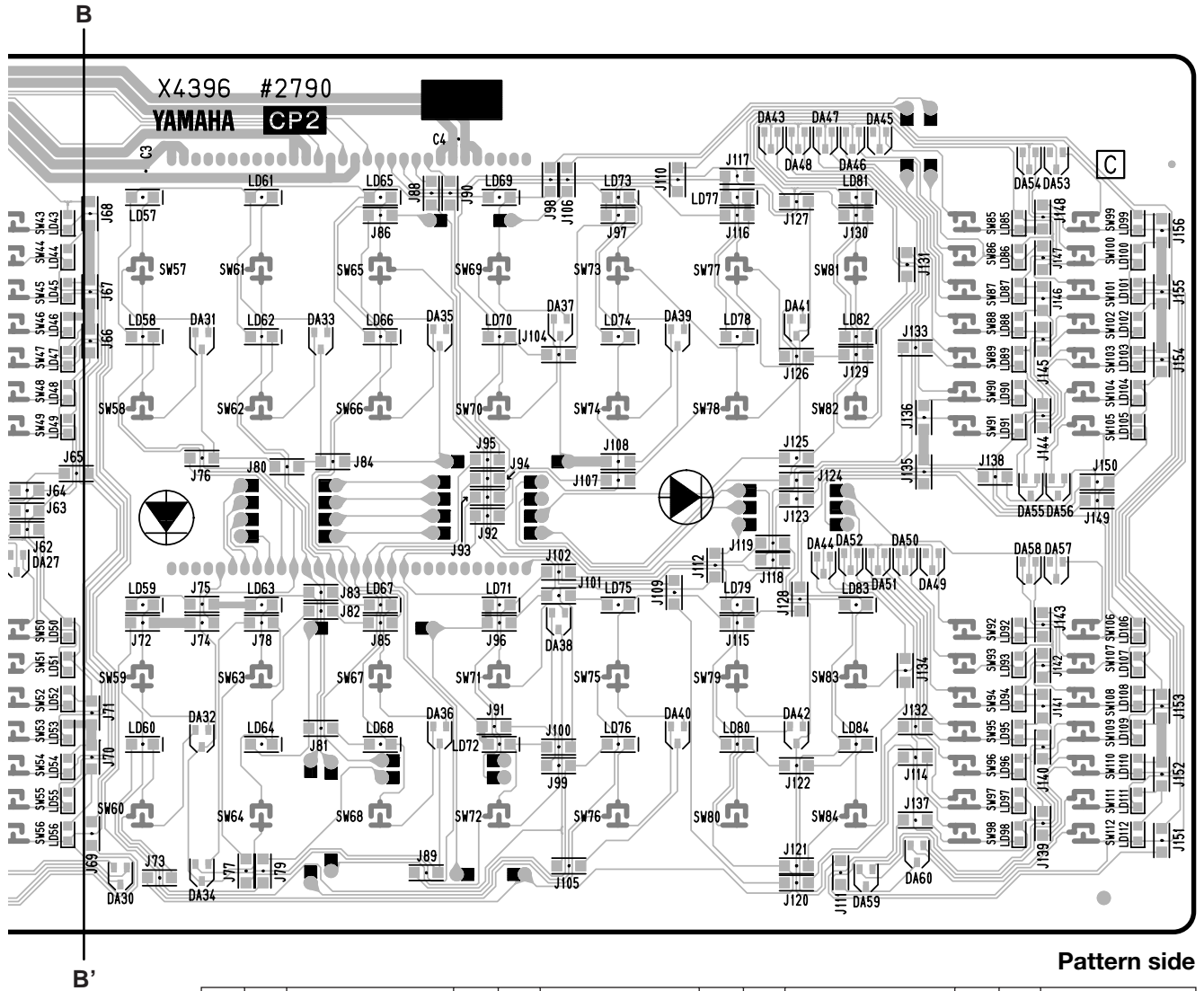




• CP2 Circuit Board (ELS-01/ELS-01C)



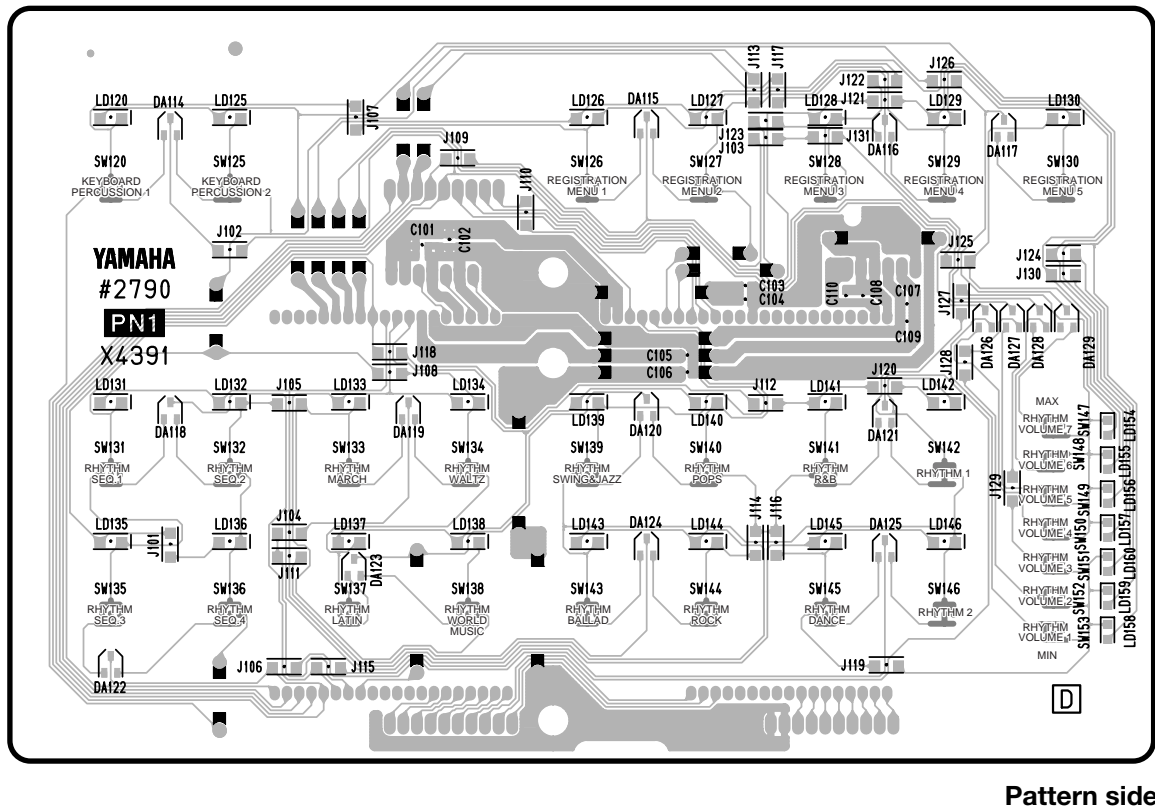
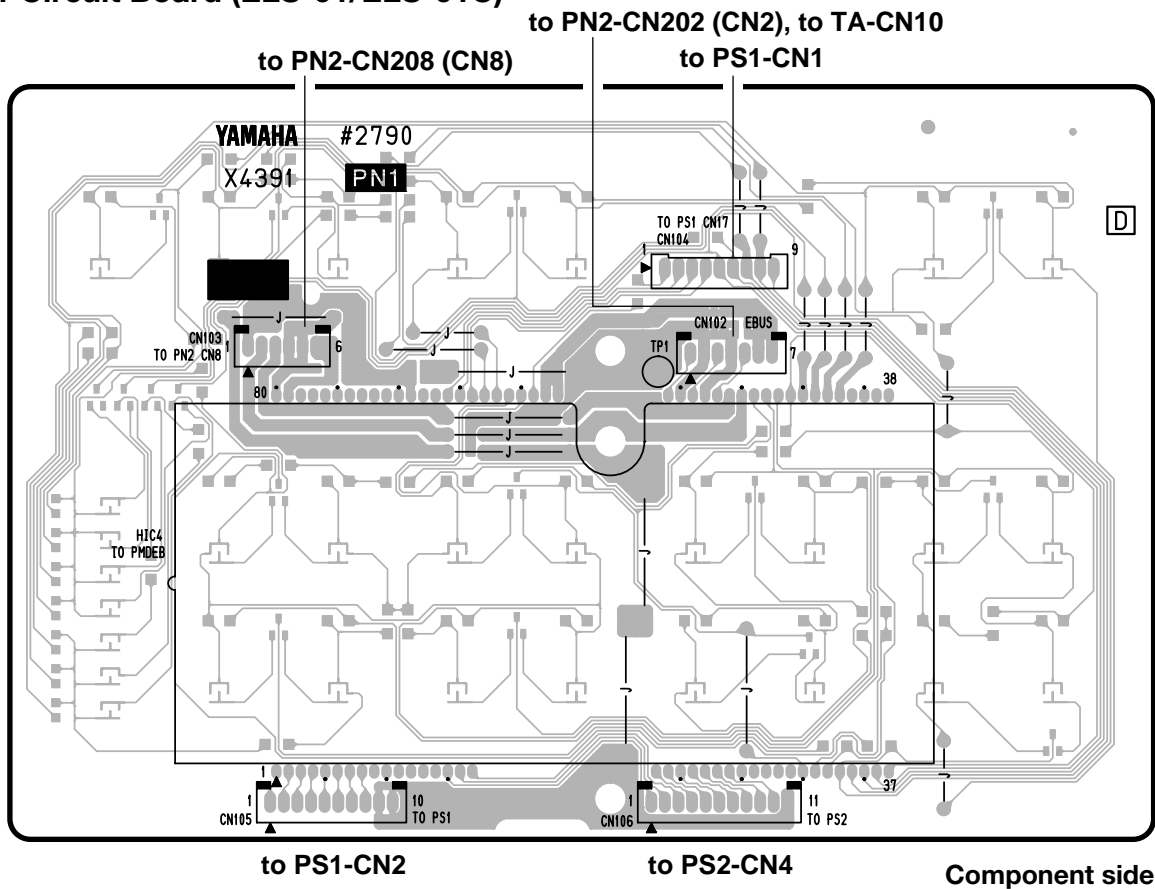
SW1	LD1	UK VOICE 1 STRINGS	SW15	LD15	LK VOICE 1 TUTTI	SW29	LD29	UK VOICE 1 BRILLIANCE 7	SW43	LD43	UK VOICE 1 VOLUME 7
SW2	LD2	UK VOICE 1 PIANO	SW16	LD16	LK VOICE 1 GUITAR	SW30	LD30	UK VOICE 1 BRILLIANCE 6	SW44	LD44	UK VOICE 1 VOLUME 6
SW3	LD3	LK VOICE 1 STRINGS	SW17	LD17	UK VOICE 1 PAD	SW31	LD31	UK VOICE 1 BRILLIANCE 5	SW45	LD45	UK VOICE 1 VOLUME 5
SW4	LD4	LK VOICE 1 PIANO	SW18	LD18	UK VOICE 1 CHOIR	SW32	LD32	UK VOICE 1 BRILLIANCE 4	SW46	LD46	UK VOICE 1 VOLUME 4
SW5	LD5	UK VOICE 1 BRASS	SW19	LD19	LK VOICE 1 PAD	SW33	LD33	UK VOICE 1 BRILLIANCE 3	SW47	LD47	UK VOICE 1 VOLUME 3
SW6	LD6	UK VOICE 1 ORGAN	SW20	LD20	LK VOICE 1 CHOIR	SW34	LD34	UK VOICE 1 BRILLIANCE 2	SW48	LD48	UK VOICE 1 VOLUME 2
SW7	LD7	LK VOICE 1 BRASS	SW21	LD21	UK VOICE 1 SYNTH	SW35	LD35	UK VOICE 1 BRILLIANCE 1	SW49	LD49	UK VOICE 1 VOLUME 1
SW8	LD8	LK VOICE 1 ORGAN	SW22	LD22	UK VOICE 1 WORLD	SW36	LD36	LK VOICE 1 BRILLIANCE 7	SW50	LD50	LK VOICE 1 VOLUME 7
SW9	LD9	UK VOICE 1 WOODWIND	SW23	LD23	LK VOICE 1 SYNTH	SW37	LD37	LK VOICE 1 BRILLIANCE 6	SW51	LD51	LK VOICE 1 VOLUME 6
SW10	LD10	UK VOICE 1 PERCUSSION	SW24	LD24	LK VOICE 1 WORLD	SW38	LD38	LK VOICE 1 BRILLIANCE 5	SW52	LD52	LK VOICE 1 VOLUME 5
SW11	LD11	LK VOICE 1 WOODWIND	SW25	LD25	UK VOICE 1 1	SW39	LD39	LK VOICE 1 BRILLIANCE 4	SW53	LD53	LK VOICE 1 VOLUME 4
SW12	LD12	LK VOICE 1 PERCUSSION	SW26	LD26	UK VOICE 1 2	SW40	LD40	LK VOICE 1 BRILLIANCE 3	SW54	LD54	LK VOICE 1 VOLUME 3
SW13	LD13	UK VOICE 1 TUTTI	SW27	LD27	LK VOICE 1 1	SW41	LD41	LK VOICE 1 BRILLIANCE 2	SW55	LD55	LK VOICE 1 VOLUME 2
SW14	LD14	UK VOICE 1 GUITAR	SW28	LD28	LK VOICE 1 2	SW42	LD42	LK VOICE 1 BRILLIANCE 1	SW56	LD56	LK VOICE 1 VOLUME 1



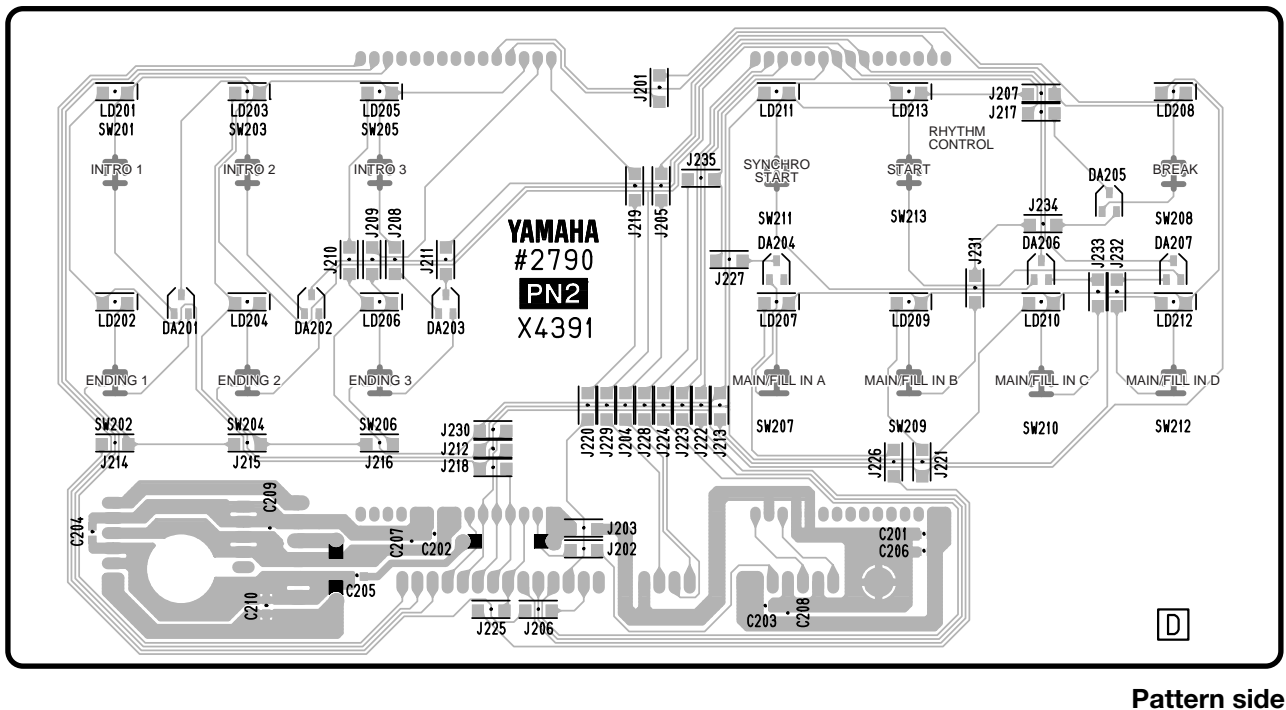
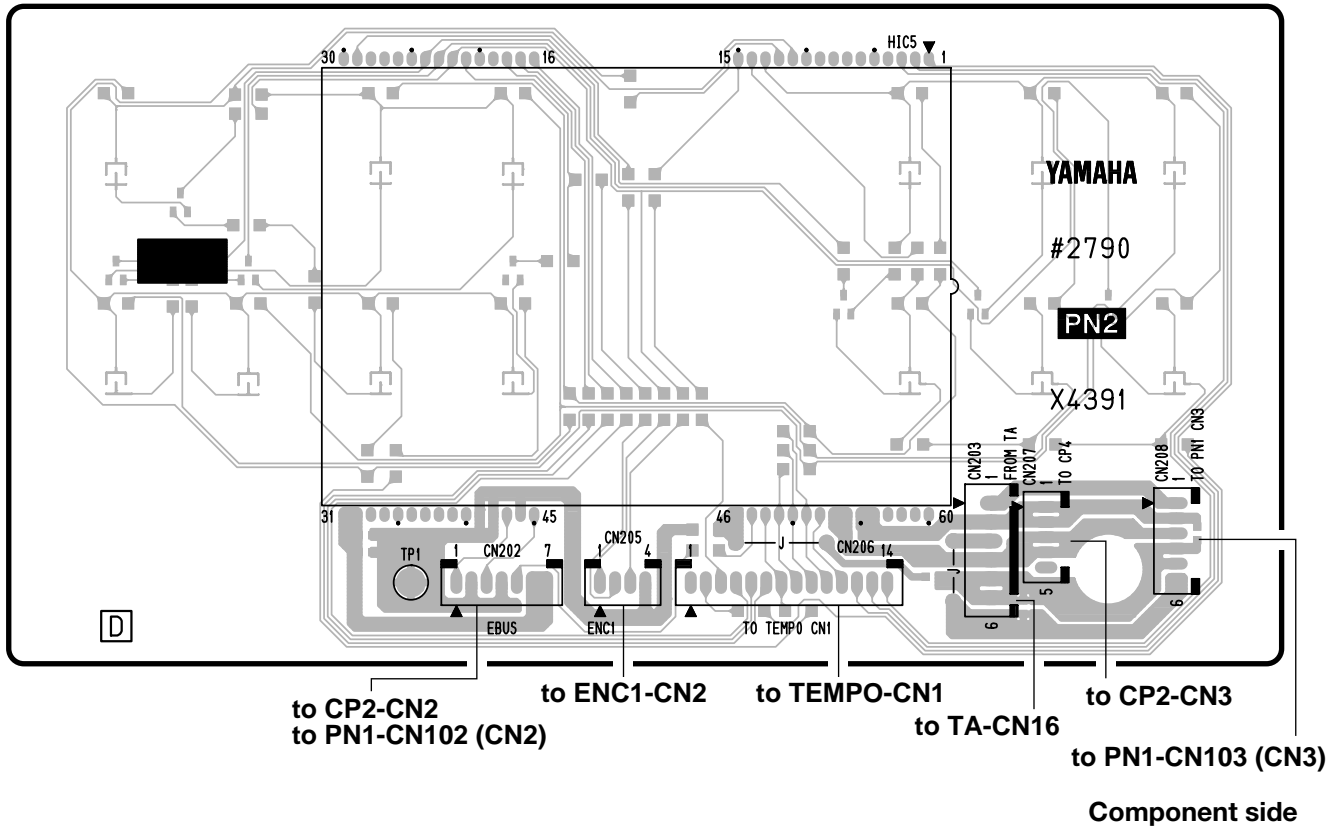
Pattern side

SW57	LD57	UK VOICE 2 STRINGS	SW71	LD71	LK VOICE 2 TUTTI	SW85	LD85	UK VOICE 2 BRILLIANCE 7	SW99	LD99	UK VOICE 2 VOLUME 7
SW58	LD58	UK VOICE 2 PIANO	SW72	LD72	LK VOICE 2 GUITAR	SW86	LD86	UK VOICE 2 BRILLIANCE 6	SW100	LD100	UK VOICE 2 VOLUME 6
SW59	LD59	LK VOICE 2 STRINGS	SW73	LD73	UK VOICE 2 PAD	SW87	LD87	UK VOICE 2 BRILLIANCE 5	SW101	LD101	UK VOICE 2 VOLUME 5
SW60	LD60	LK VOICE 2 PIANO	SW74	LD74	UK VOICE 2 CHOIR	SW88	LD88	UK VOICE 2 BRILLIANCE 4	SW102	LD102	UK VOICE 2 VOLUME 4
SW61	LD61	UK VOICE 2 BRASS	SW75	LD75	LK VOICE 2 PAD	SW89	LD89	UK VOICE 2 BRILLIANCE 3	SW103	LD103	UK VOICE 2 VOLUME 3
SW62	LD62	UK VOICE 2 ORGAN	SW76	LD76	LK VOICE 2 CHOIR	SW90	LD90	UK VOICE 2 BRILLIANCE 2	SW104	LD104	UK VOICE 2 VOLUME 2
SW63	LD63	LK VOICE 2 BRASS	SW77	LD77	UK VOICE 2 SYNTH	SW91	LD91	UK VOICE 2 BRILLIANCE 1	SW105	LD105	UK VOICE 2 VOLUME 1
SW64	LD64	LK VOICE 2 ORGAN	SW78	LD78	UK VOICE 2 WORLD	SW92	LD92	LK VOICE 2 BRILLIANCE 7	SW106	LD106	LK VOICE 2 VOLUME 7
SW65	LD65	UK VOICE 2 WOODWIND	SW79	LD79	LK VOICE 2 SYNTH	SW93	LD93	LK VOICE 2 BRILLIANCE 6	SW107	LD107	LK VOICE 2 VOLUME 6
SW66	LD66	UK VOICE 2 PERCUSSION	SW80	LD80	LK VOICE 2 WORLD	SW94	LD94	LK VOICE 2 BRILLIANCE 5	SW108	LD108	LK VOICE 2 VOLUME 5
SW67	LD67	LK VOICE 2 WOODWIND	SW81	LD81	UK VOICE 2 1	SW95	LD95	LK VOICE 2 BRILLIANCE 4	SW109	LD109	LK VOICE 2 VOLUME 4
SW68	LD68	LK VOICE 2 PERCUSSION	SW82	LD82	UK VOICE 2 2	SW96	LD96	LK VOICE 2 BRILLIANCE 3	SW110	LD110	LK VOICE 2 VOLUME 3
SW69	LD69	UK VOICE 2 TUTTI	SW83	LD83	LK VOICE 2 1	SW97	LD97	LK VOICE 2 BRILLIANCE 2	SW111	LD111	LK VOICE 2 VOLUME 2
SW70	LD70	UK VOICE 2 GUITAR	SW84	LD84	LK VOICE 2 2	SW98	LD98	LK VOICE 2 BRILLIANCE 1	SW112	LD112	LK VOICE 2 VOLUME 1

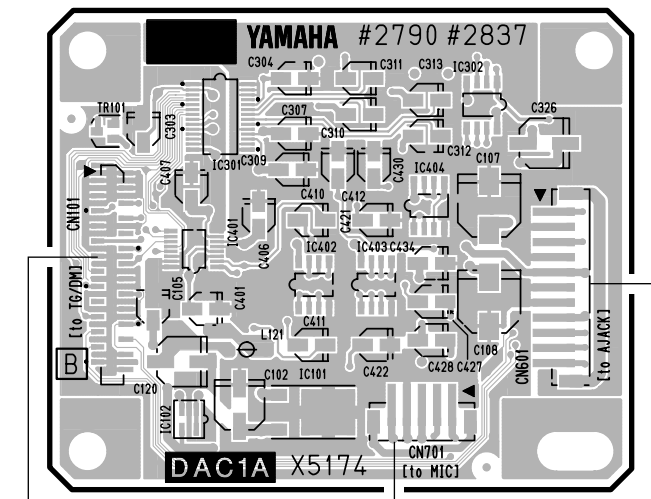
• PN1 Circuit Board (ELS-01/ELS-01C)



● PN2 Circuit Board (ELS-01/ELS-01C)

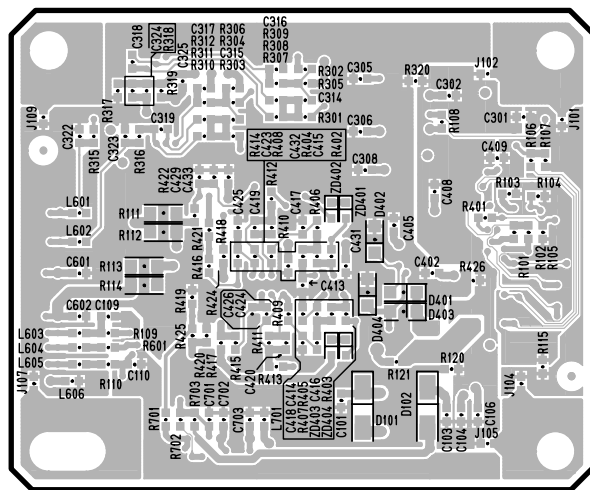


• DAC1A Circuit Board (ELS-01/ELS-01C)



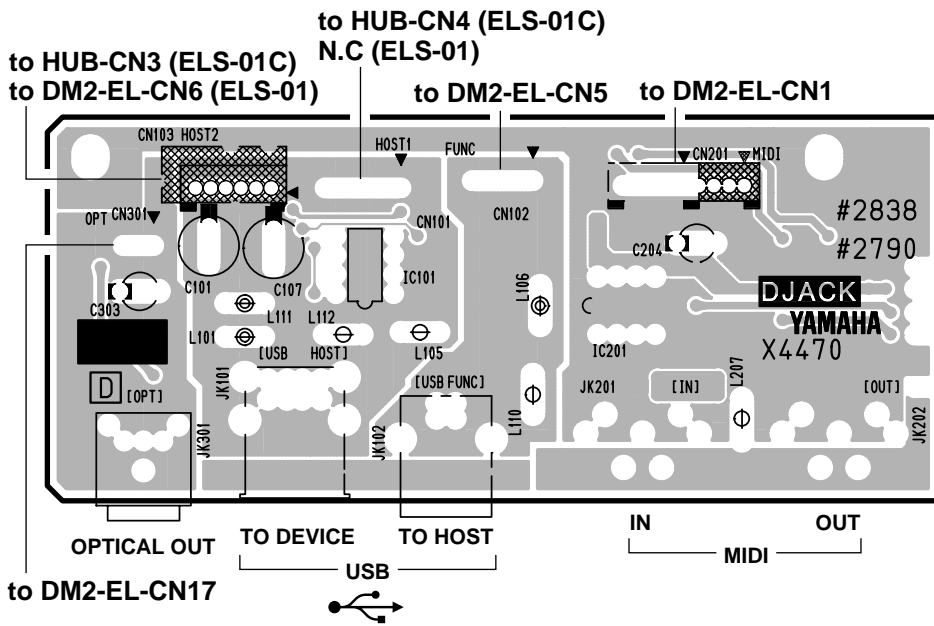
to TG2A (TG2)-CN3 to TA-CN22 to AJACK-CN1

Component side

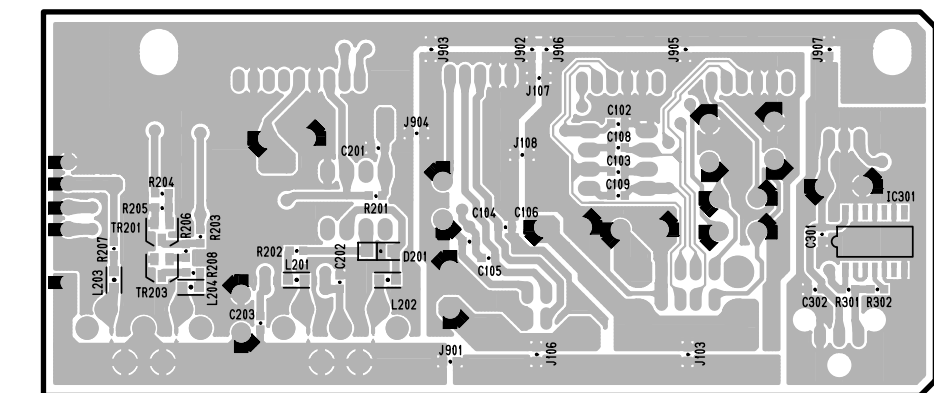


Pattern side

• DJACK Circuit Board (ELS-01/ELS-01C)



Component side

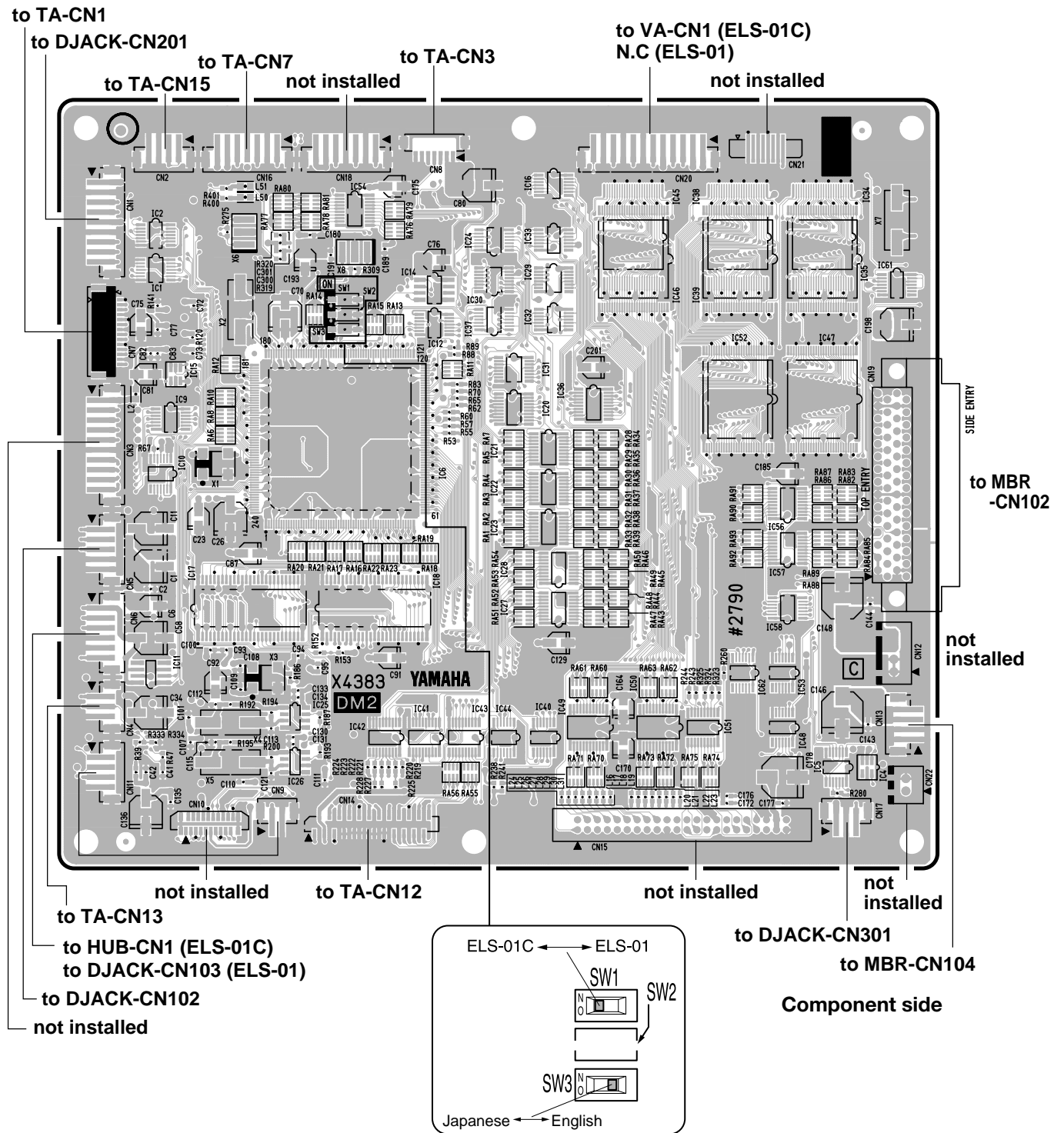


Pattern side

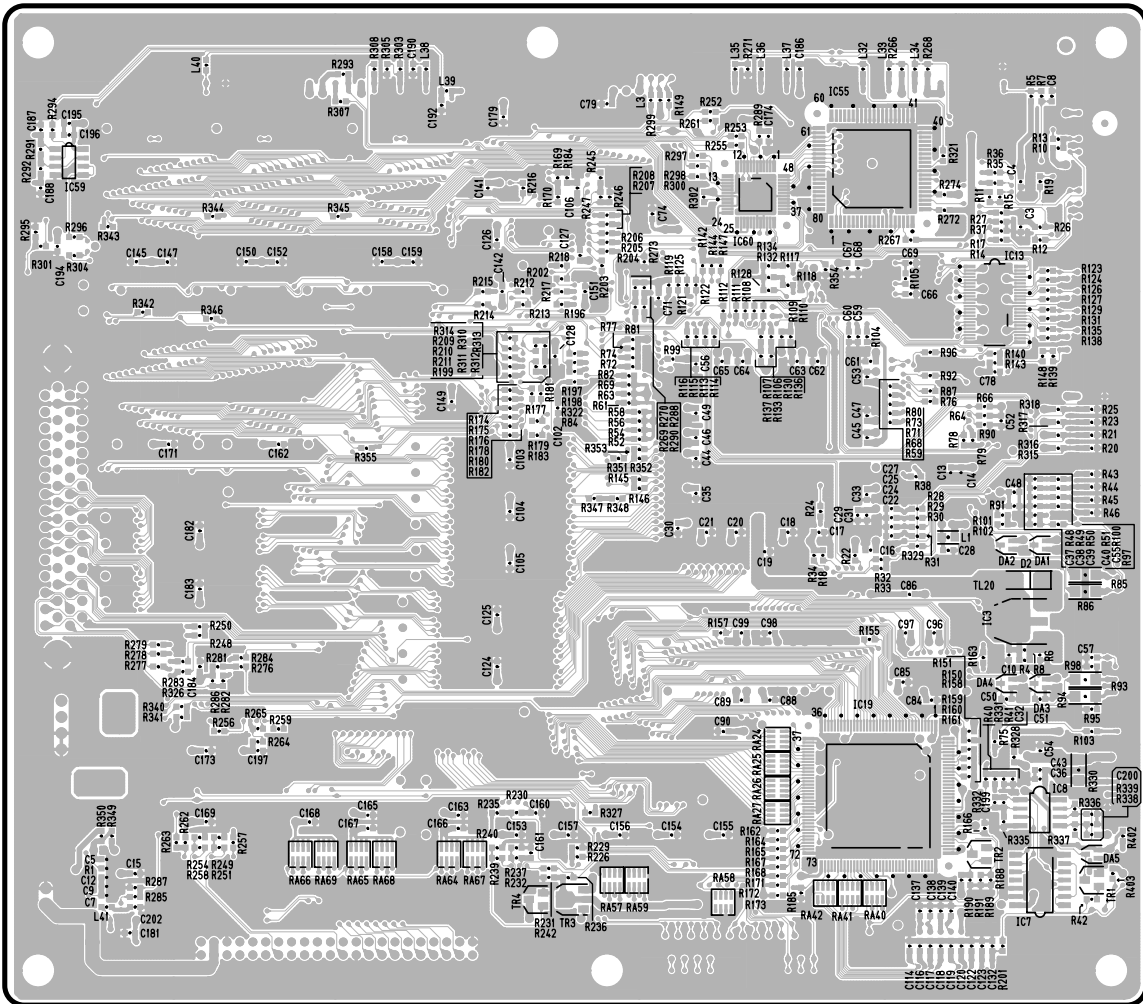
DAC1A: 2NA-WC74790

DJACK: 2NA-WB55590

• DM2-EL Circuit Board (ELS-01/ELS-01C)

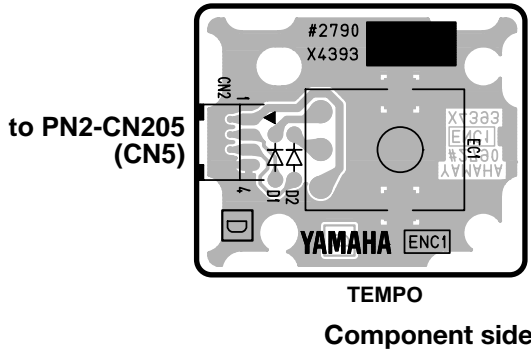


• DM2-EL Circuit Board (ELS-01/ELS-01C)

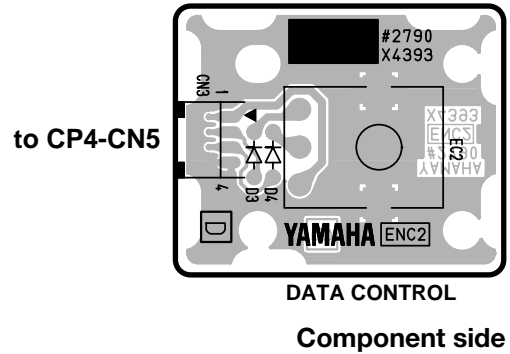


Pattern side

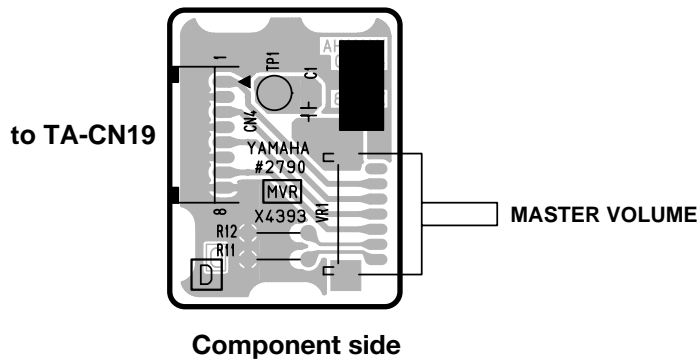
• ENC1 Circuit Board (ELS-01/ELS-01C)



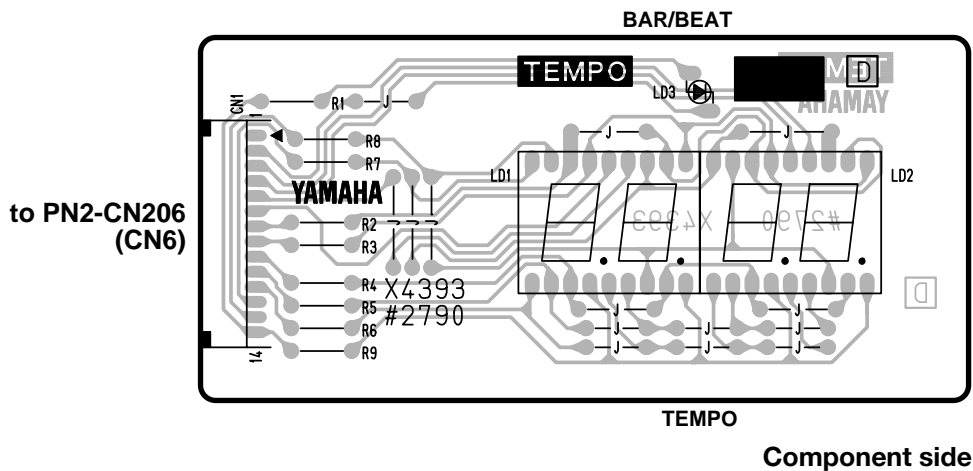
• ENC2 Circuit Board (ELS-01/ELS-01C)



• MVR Circuit Board (ELS-01/ELS-01C)

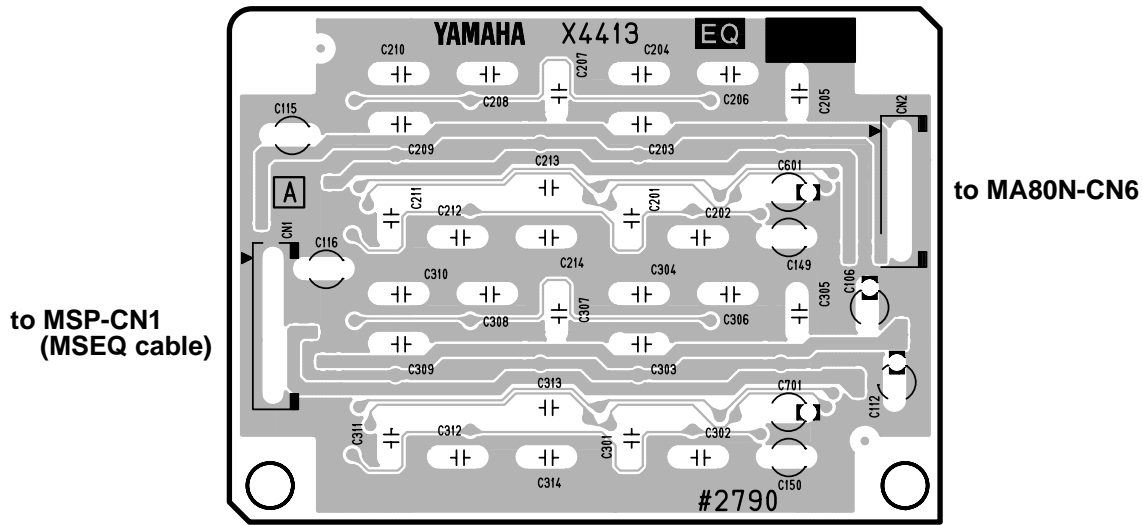


• TEMPO Circuit Board (ELS-01/ELS-01C)

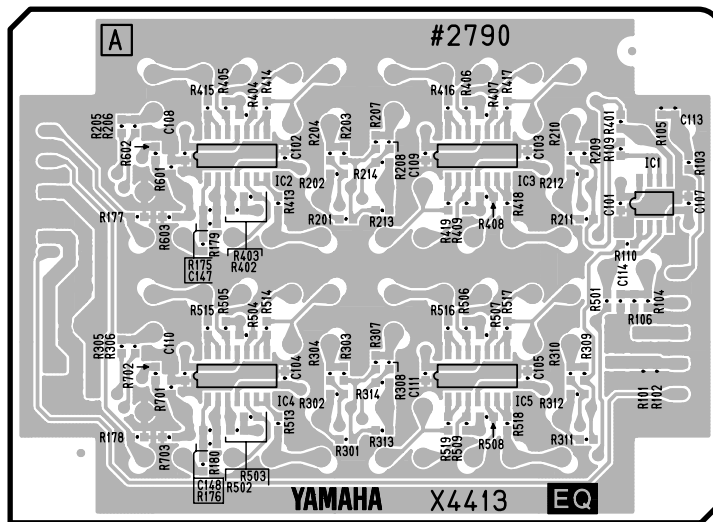


- ENC1: 2NA-WB42300
- ENC2: 2NA-WB42300
- MVR: 2NA-WB42300
- TEMPO: 2NA-WB42300

• EQ Circuit Board (ELS-01/ELS-01C)



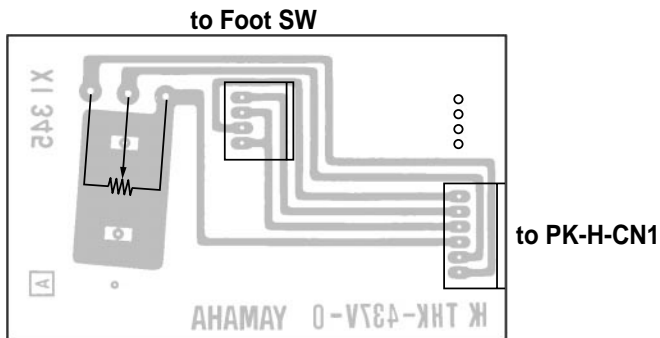
Component side



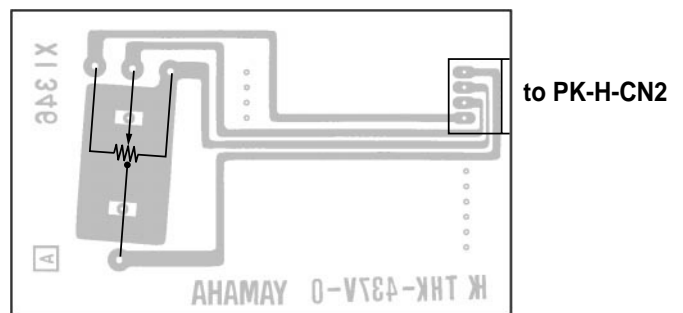
Pattern side

• EXP (2CH) Circuit Board (ELS-01/ELS-01C)

• EXP (2ND) Circuit Board (ELS-01C)



Component side

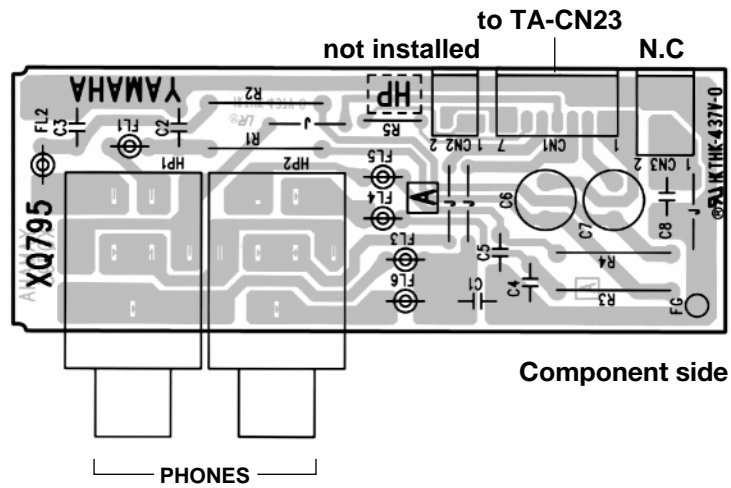


Component side

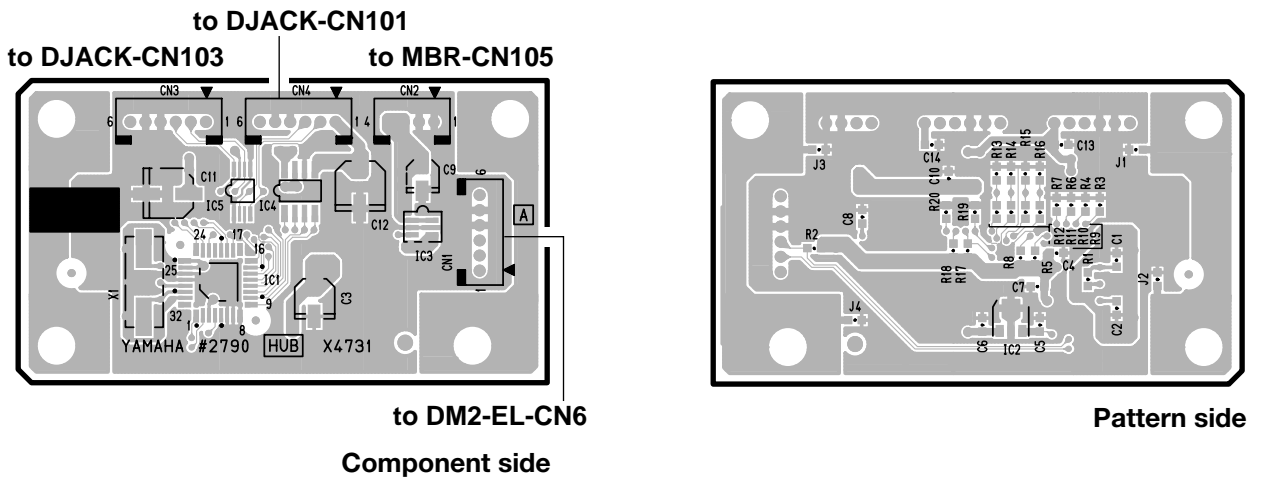
EQ: 2NA-WB55450-1
EQ: 2NA-WB55450-2

EXP (2CH): 2NA-VL12810
EXP (2ND): 2NA-VL12820

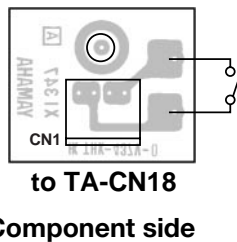
• HP Circuit Board (ELS-01/ELS-01C)



• HUB Circuit Board (ELS-01C)

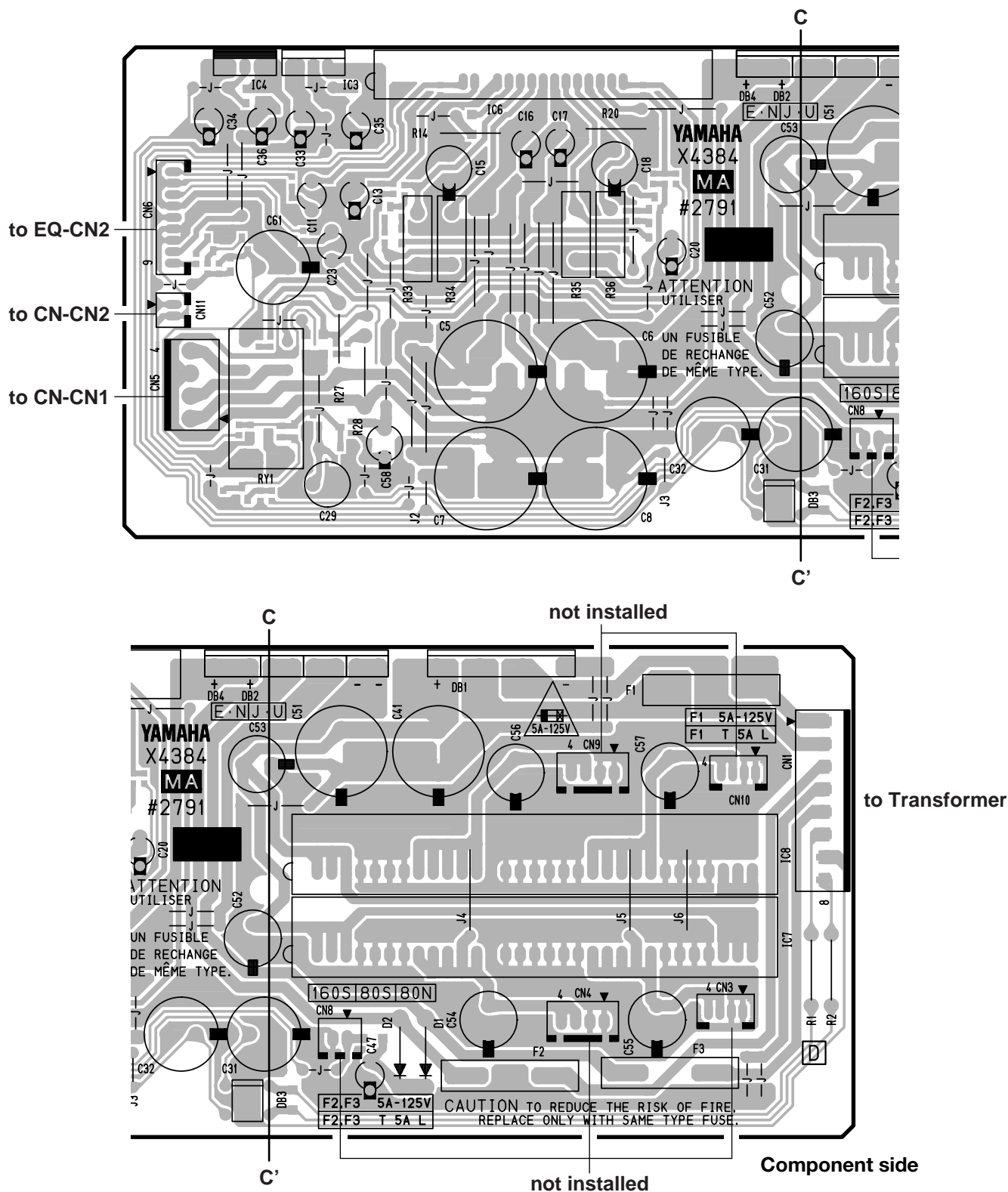


• KNELEV Circuit Board (ELS-01/ELS-01C)

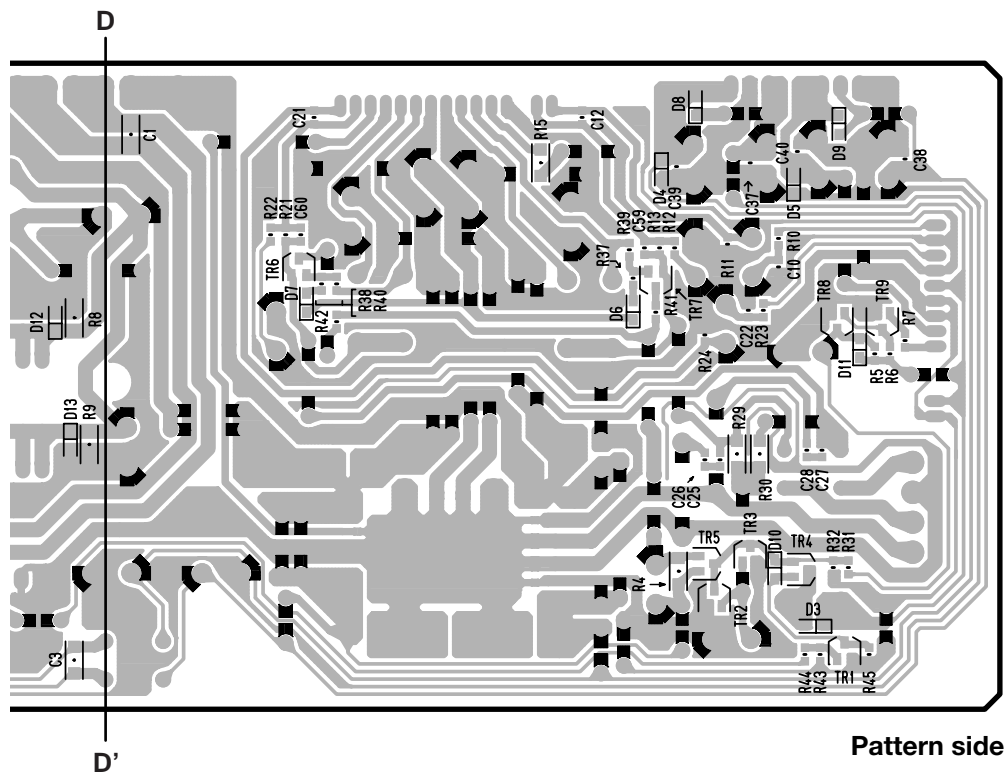
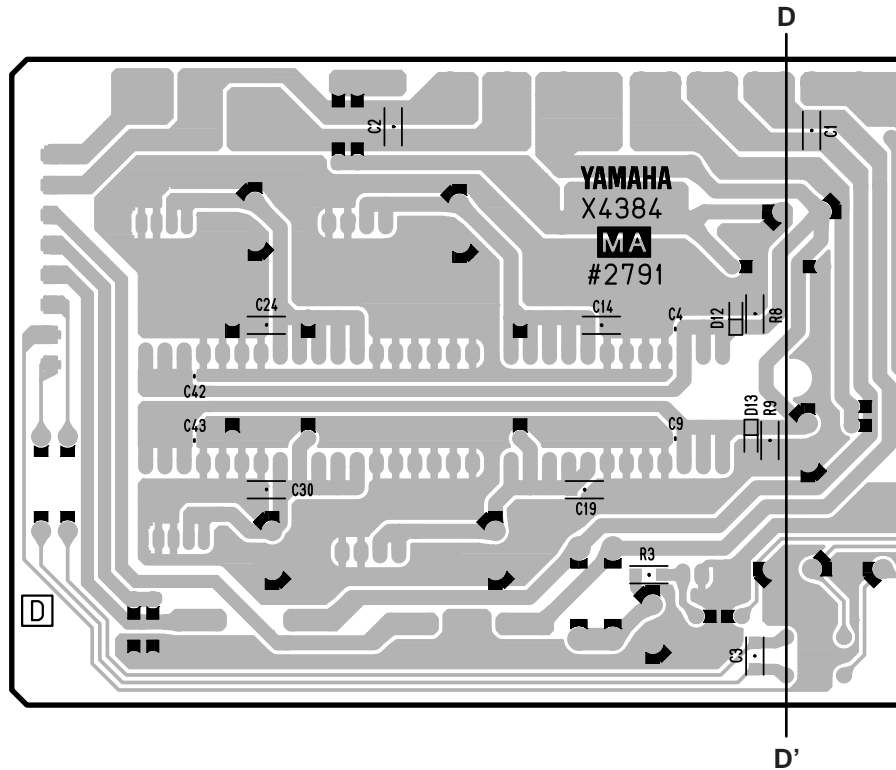


- HP: 2NA-WC24710-1
- HUB: 2NA-WB92300-1
- KNELEV: 2NA-VL12800

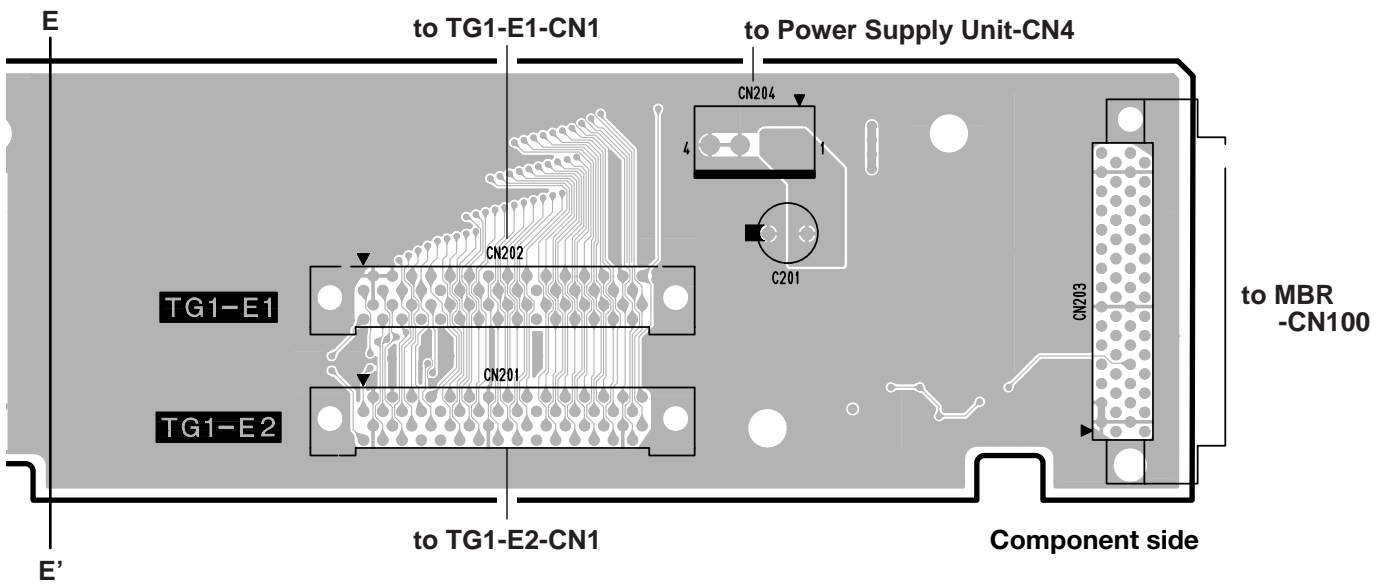
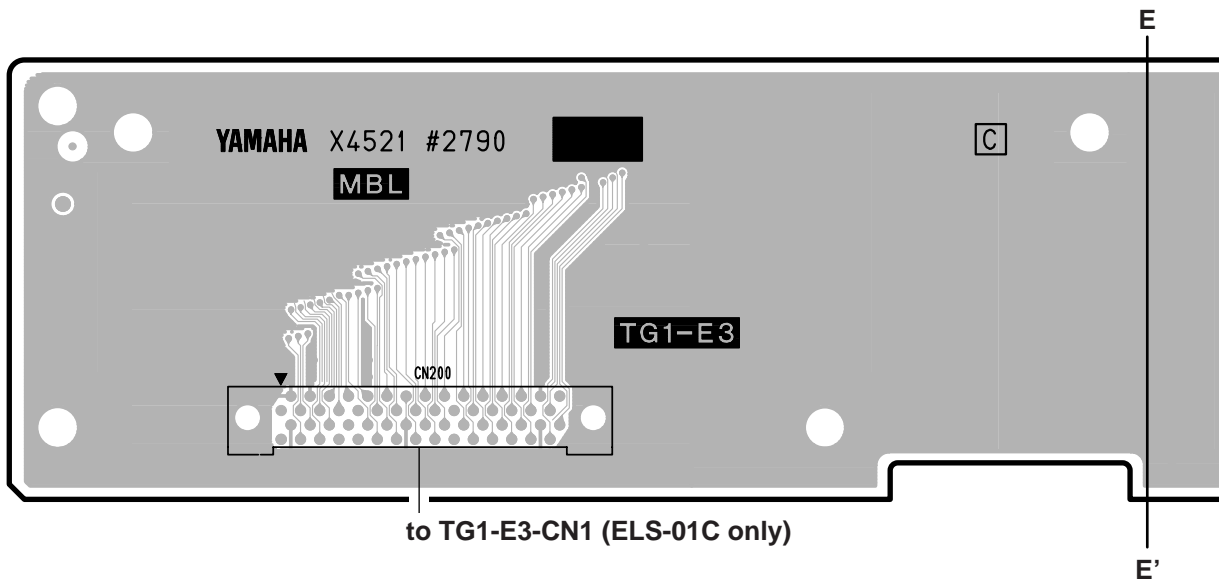
• MA80N Circuit Board (ELS-01/ELS-01C)



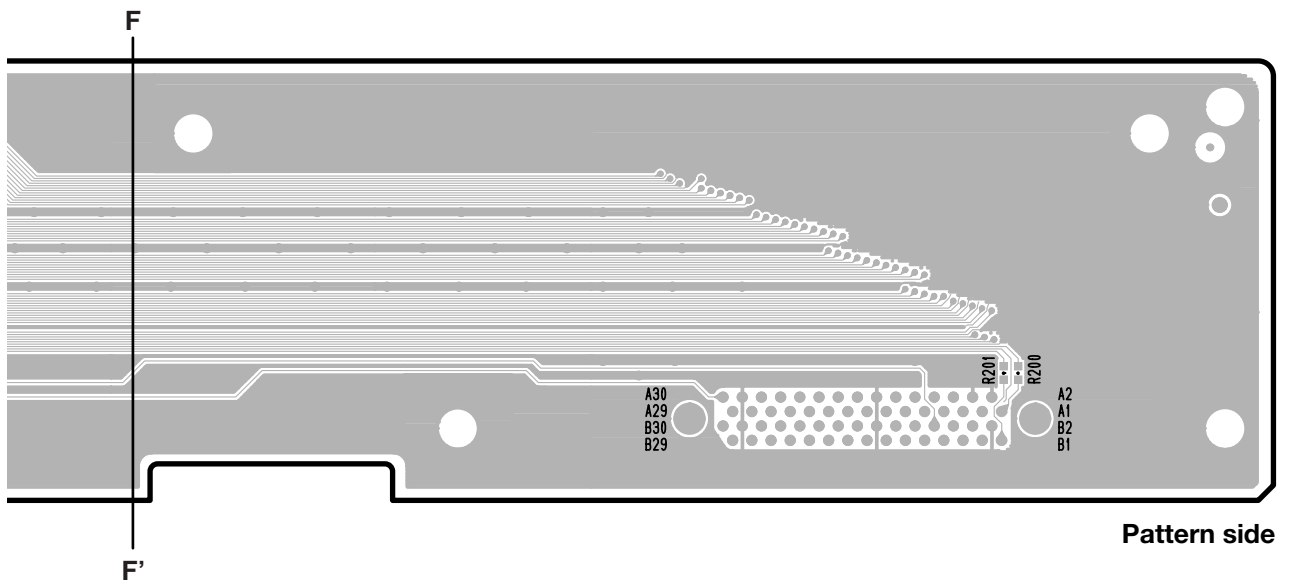
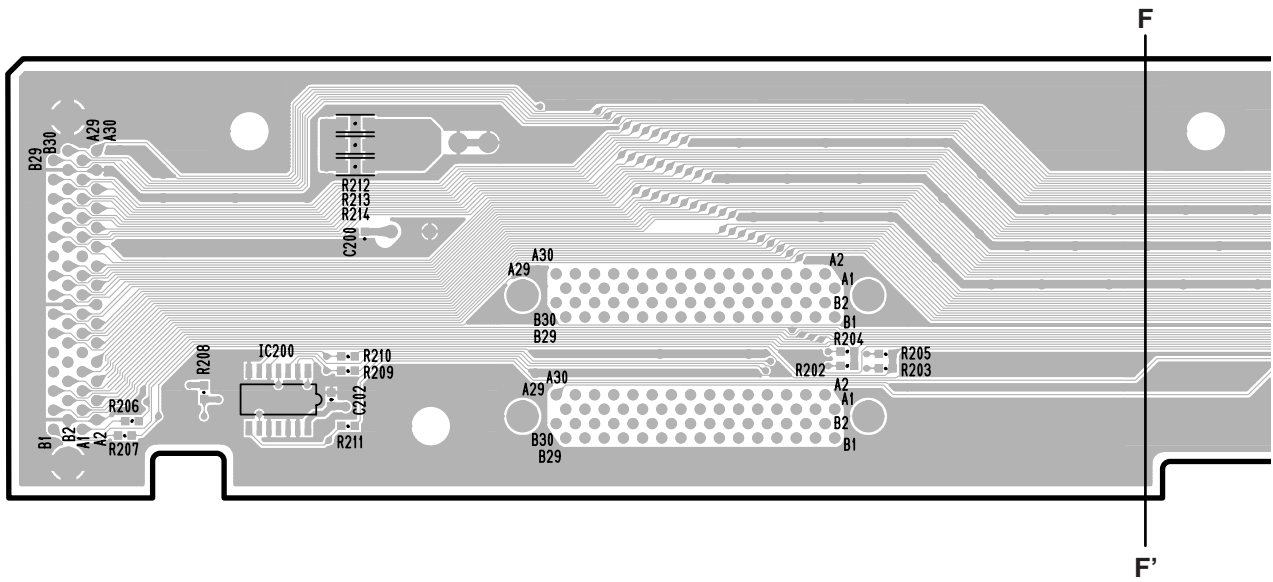
• MA80N Circuit Board (ELS-01/ELS-01C)



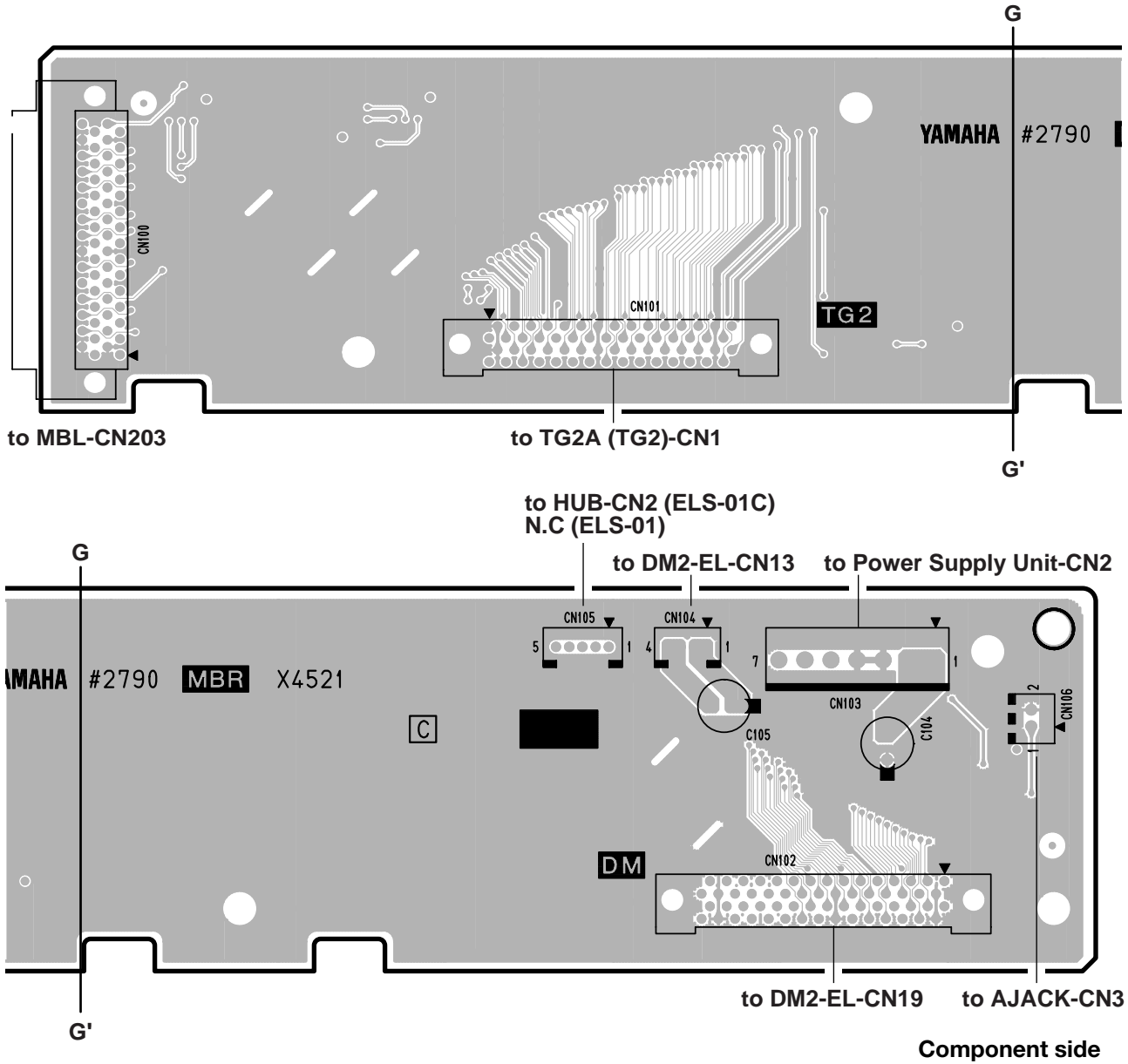
• MBL Circuit Board (ELS-01/ELS-01C)



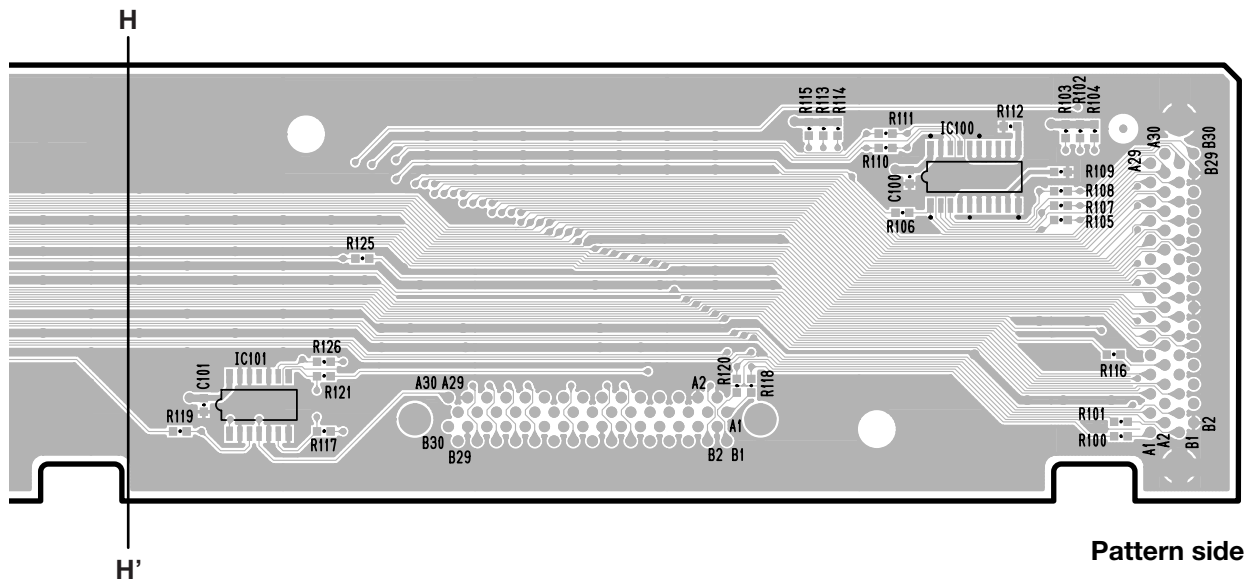
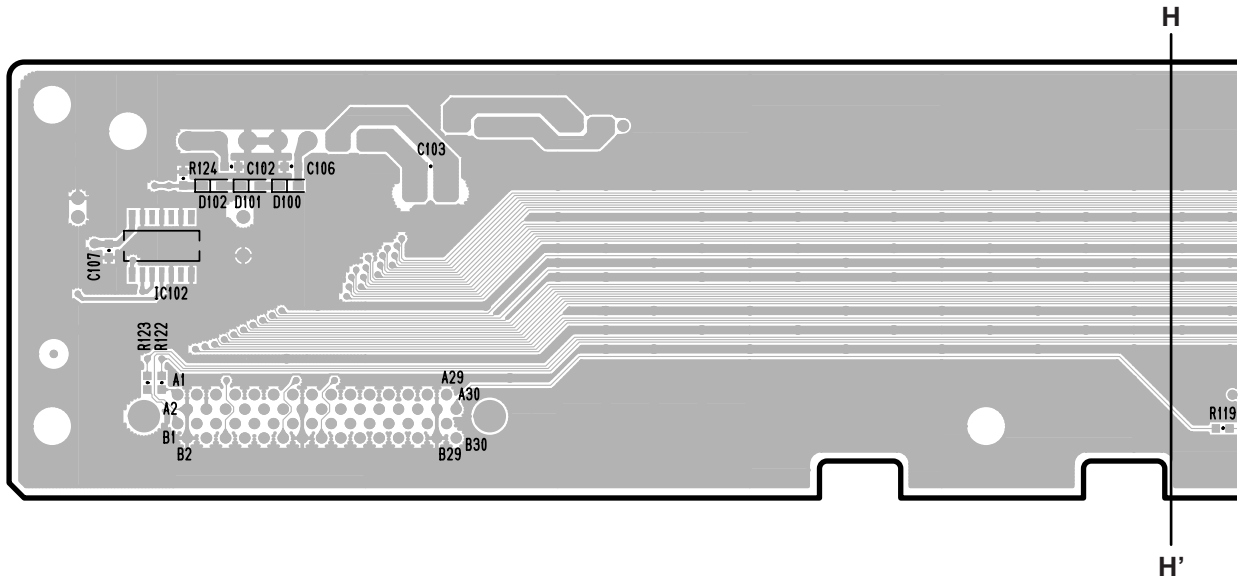
• MBL Circuit Board (ELS-01/ELS-01C)



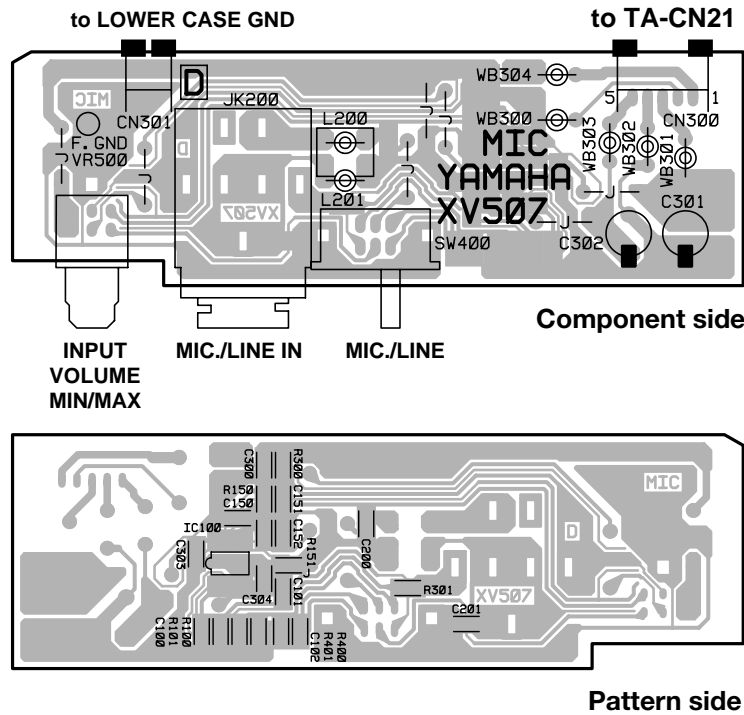
• MBR Circuit Board (ELS-01/ELS-01C)



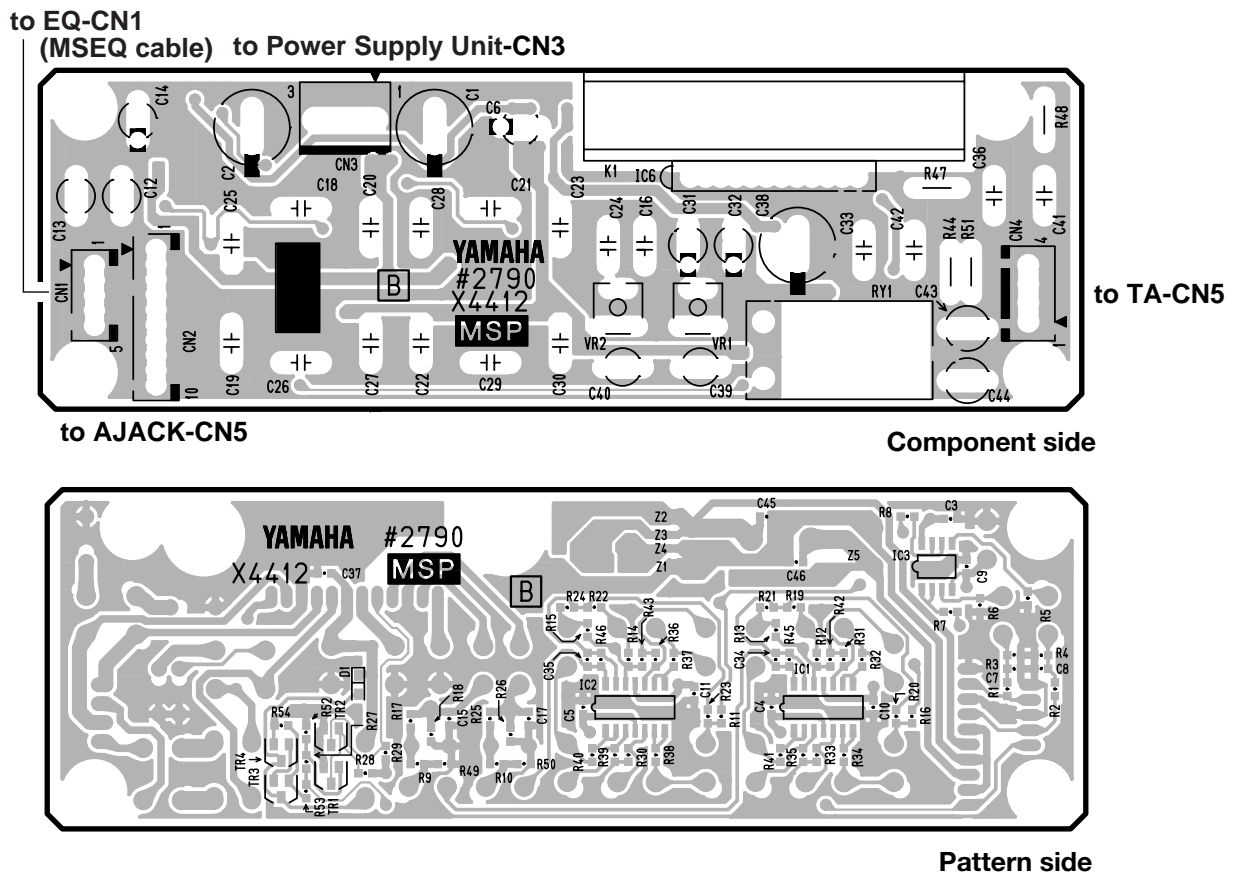
• MBR Circuit Board (ELS-01/ELS-01C)



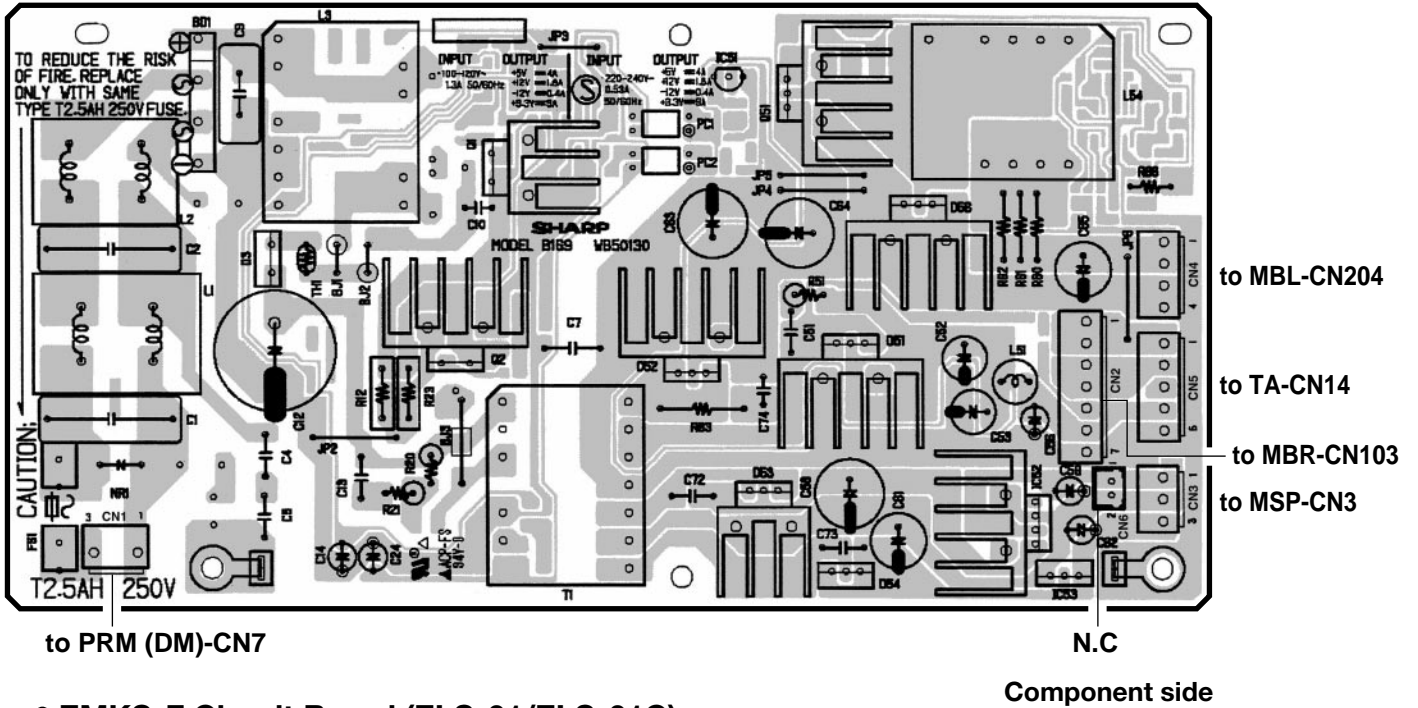
• MIC Circuit Board (ELS-01/ELS-01C)



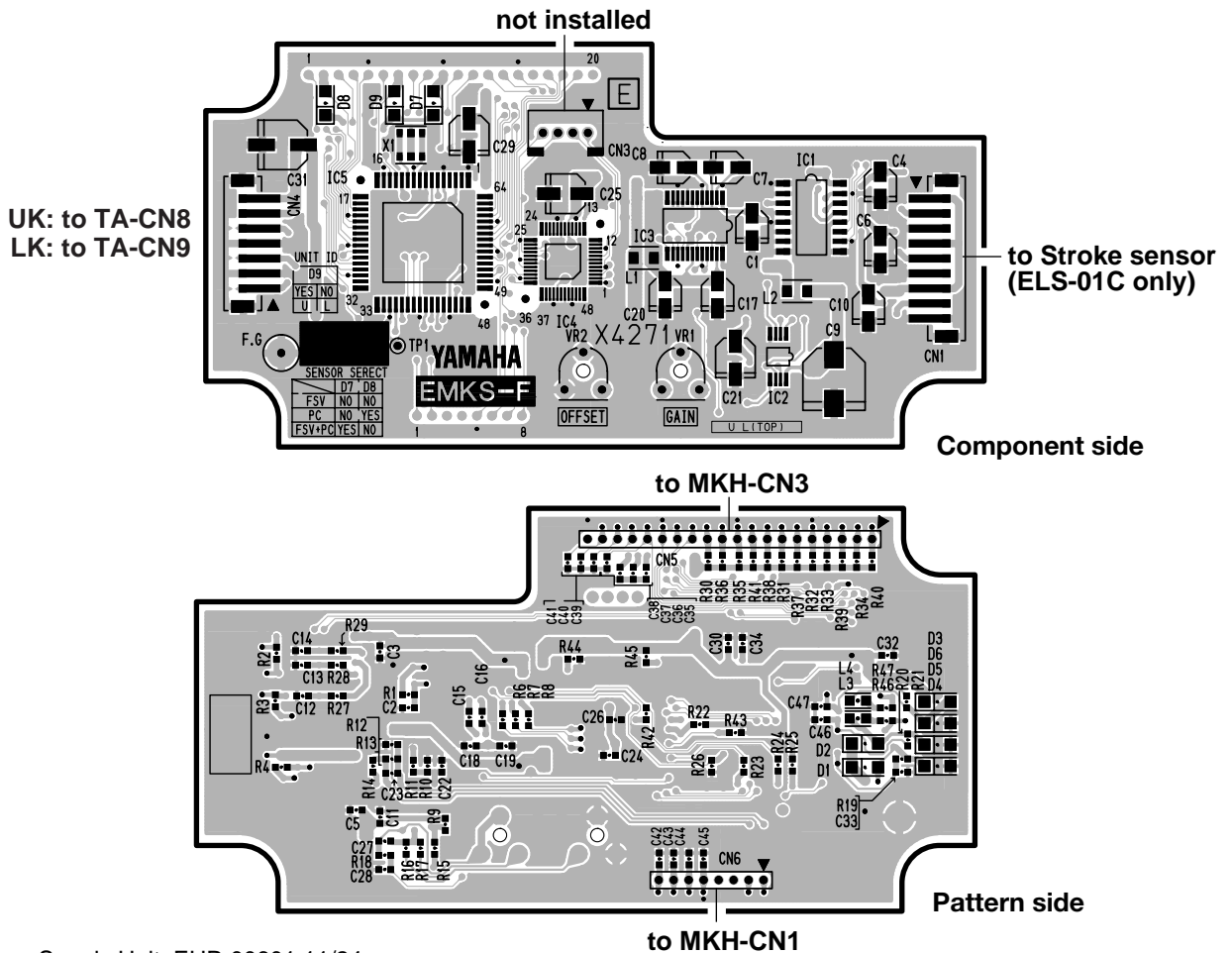
• MSP Circuit Board (ELS-01/ELS-01C)



● Power Supply Unit (ELS-01/ELS-01C)



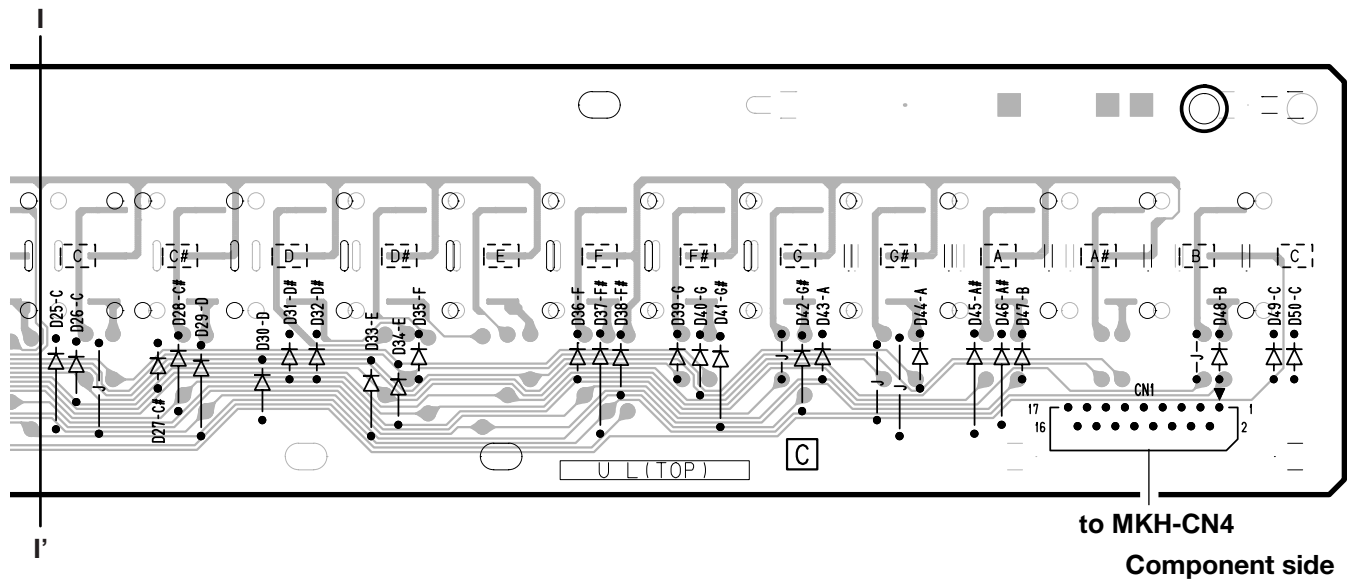
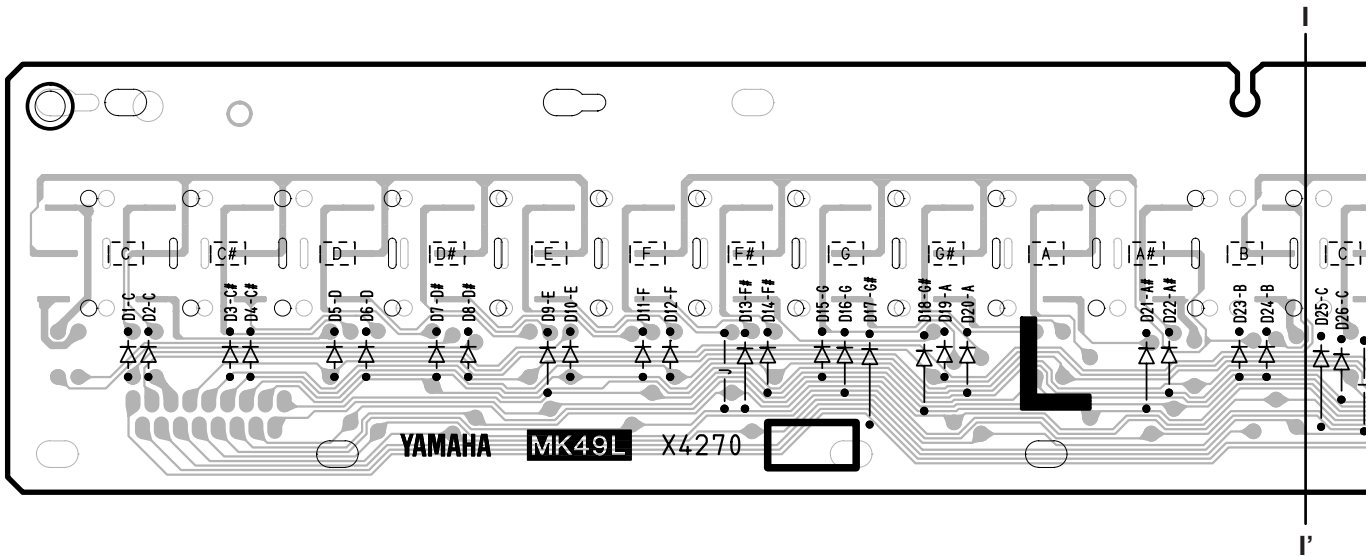
● EMKS-F Circuit Board (ELS-01/ELS-01C)



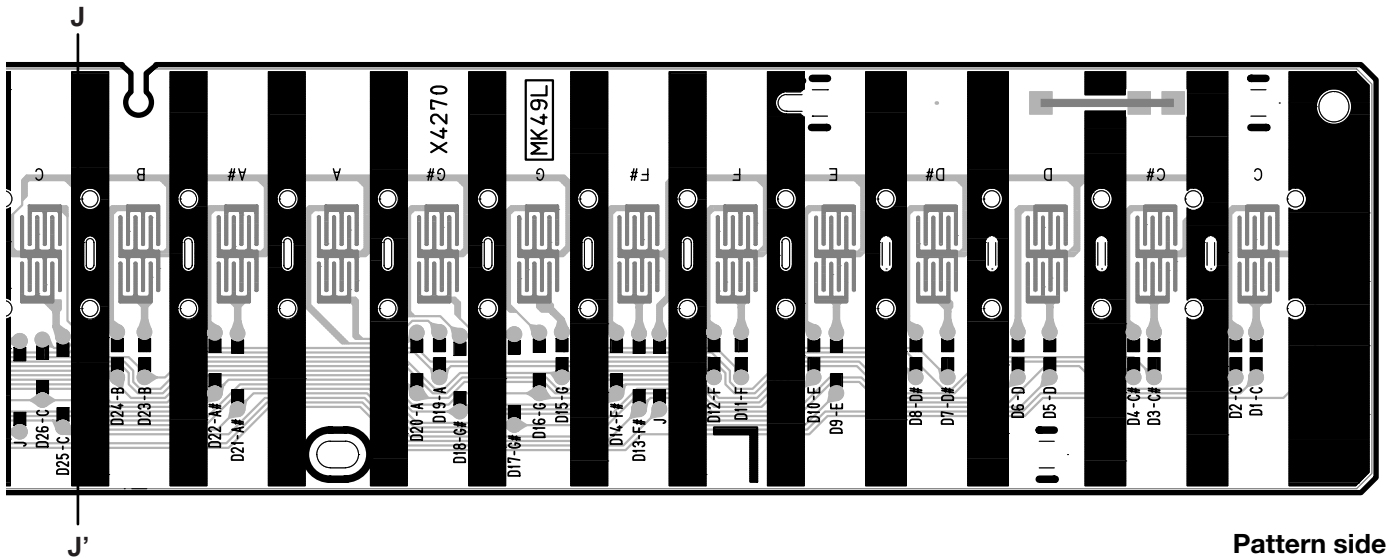
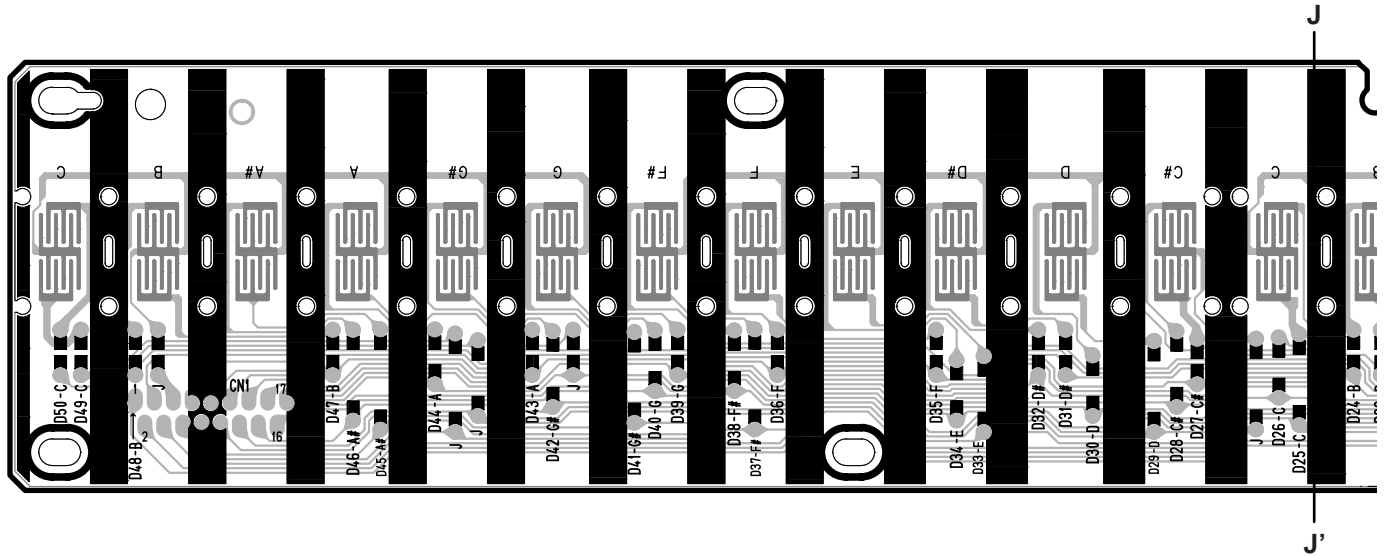
Power Supply Unit: EUP-00601 11/24

EMKS-F: WB29720-0010

● MK49L Circuit Board (ELS-01/ELS-01C)

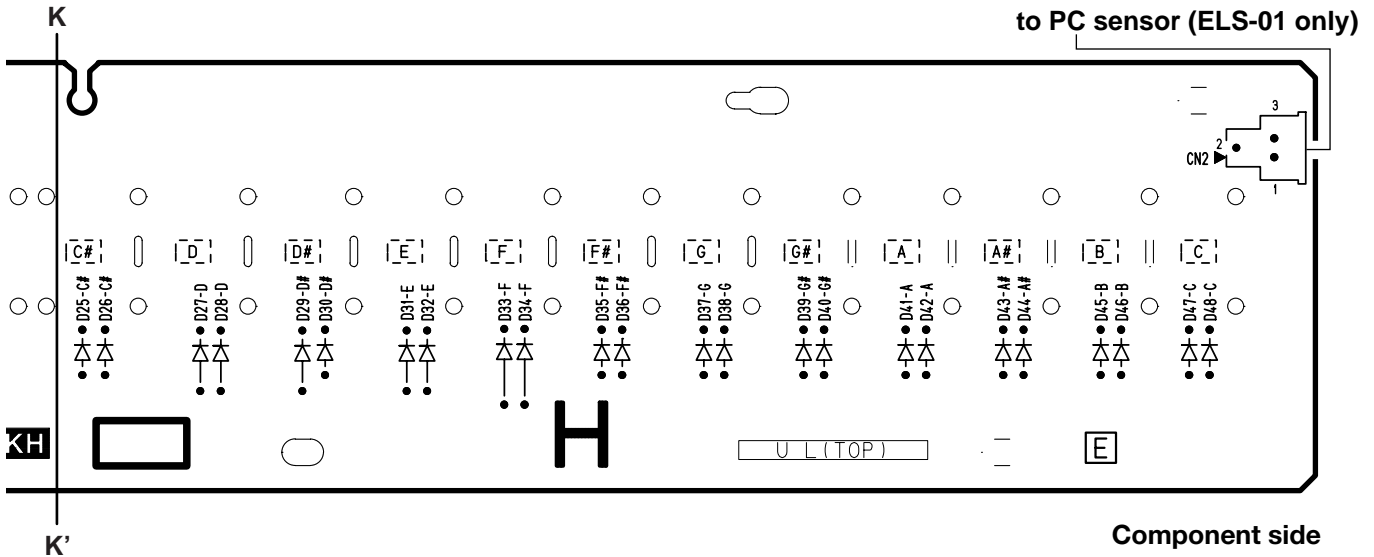
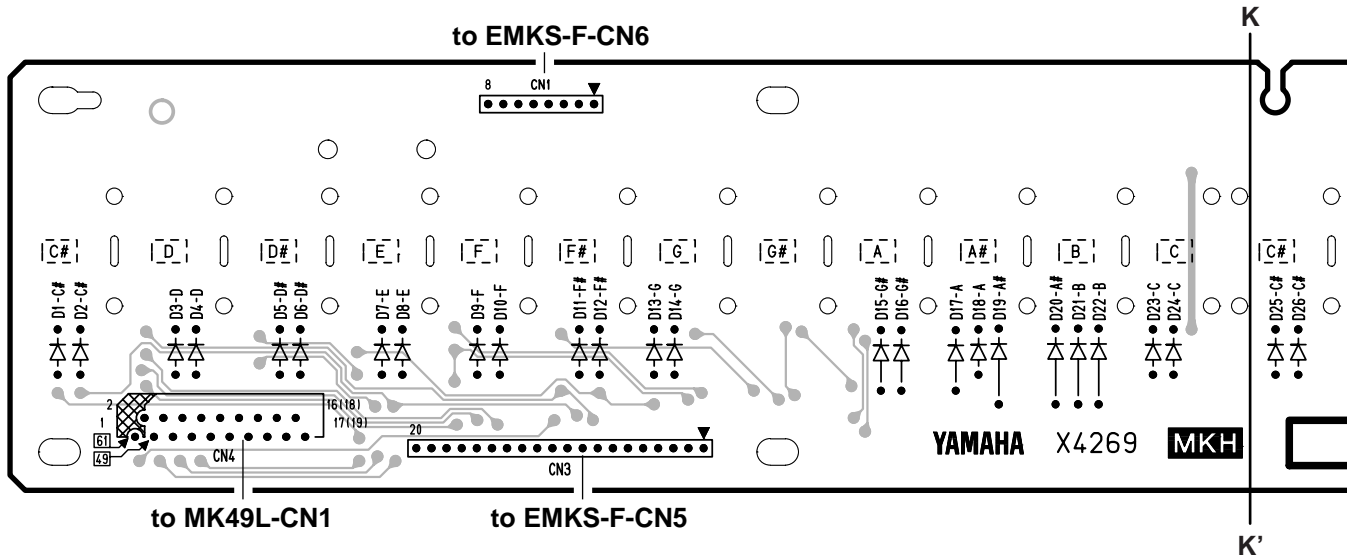


• MK49L Circuit Board (ELS-01/ELS-01C)

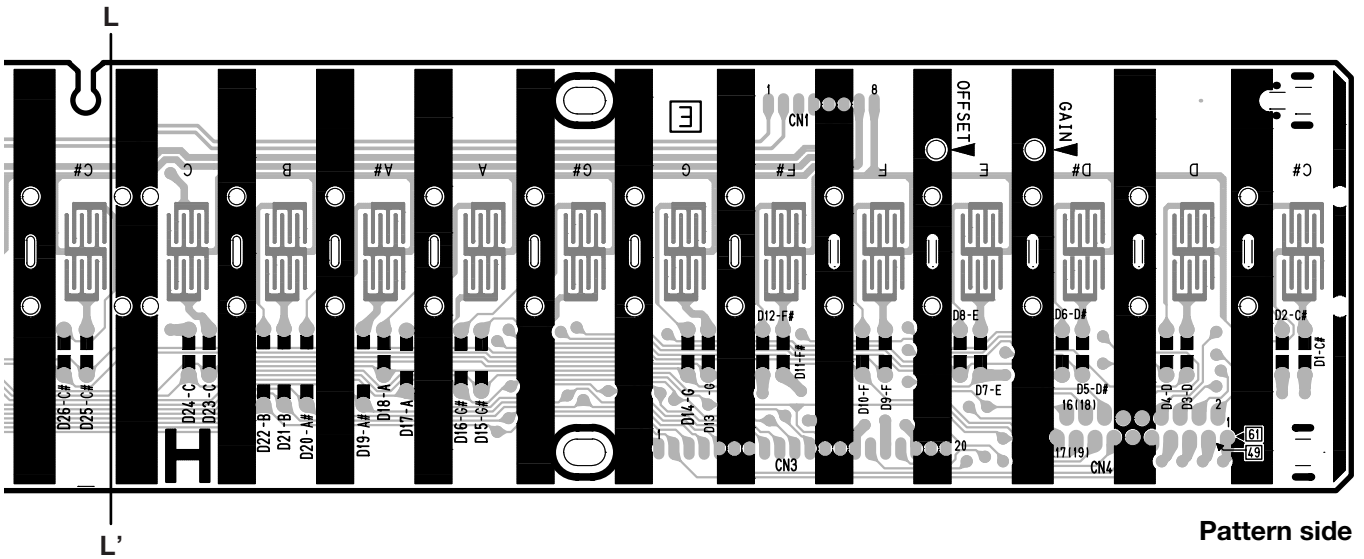
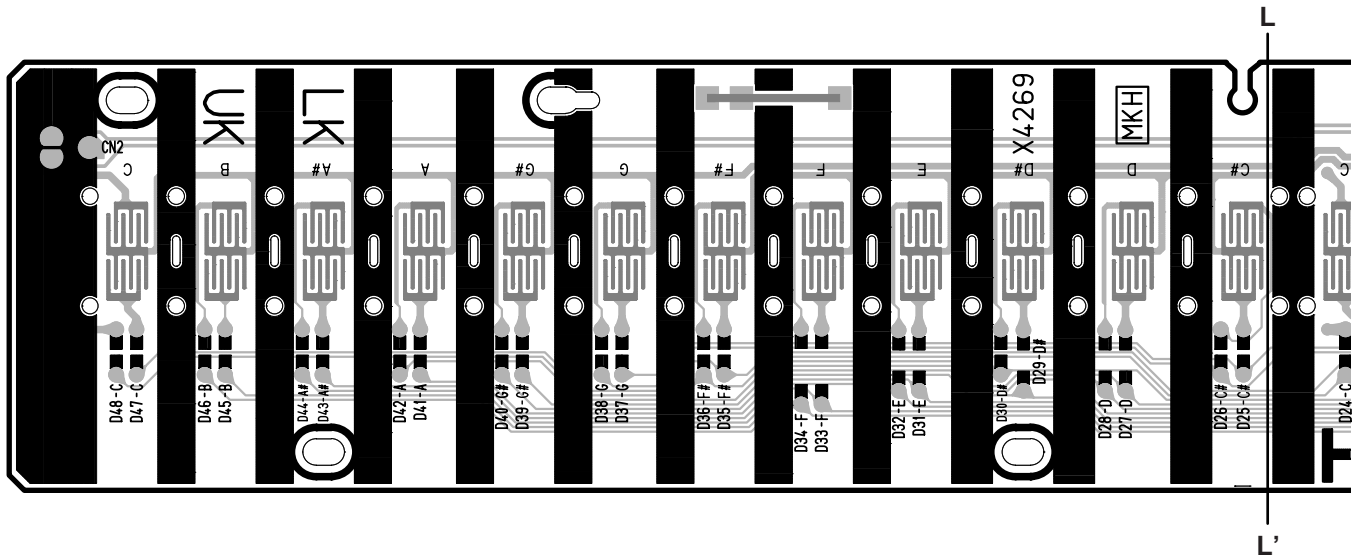


Pattern side

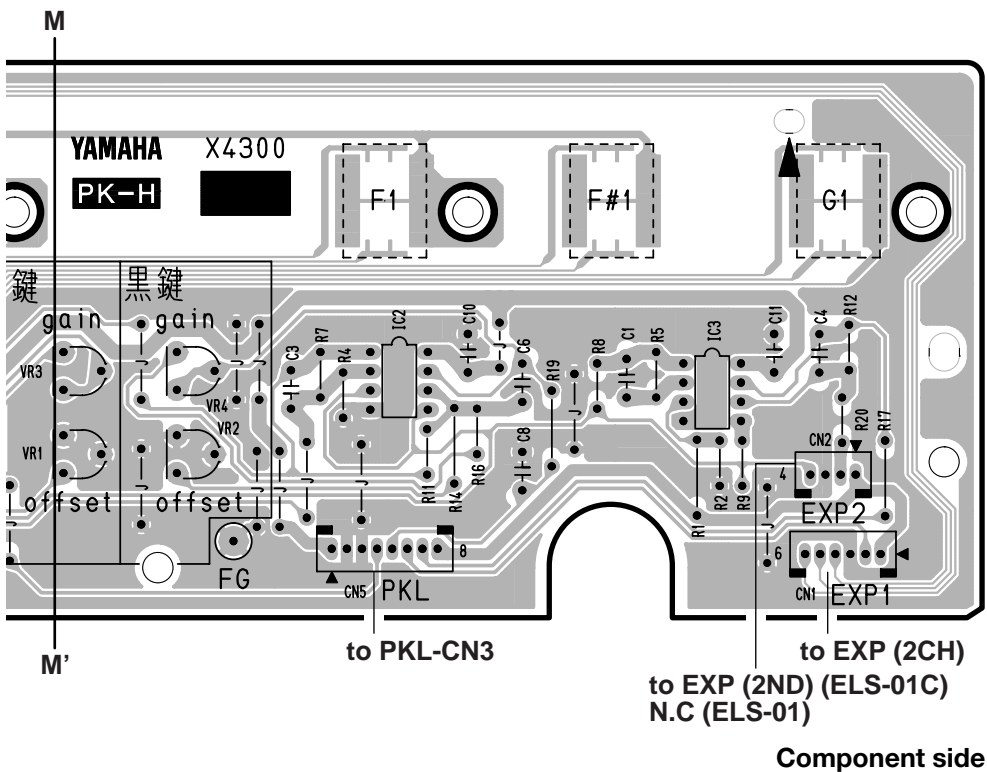
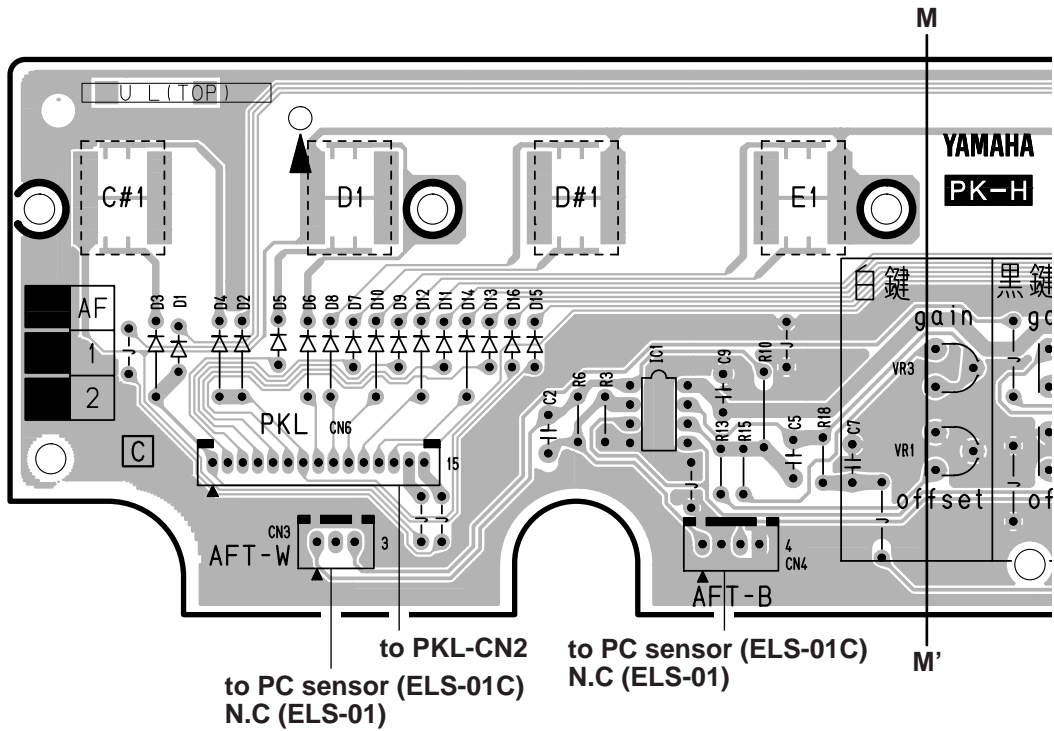
● MKH Circuit Board (ELS-01/ELS-01C)



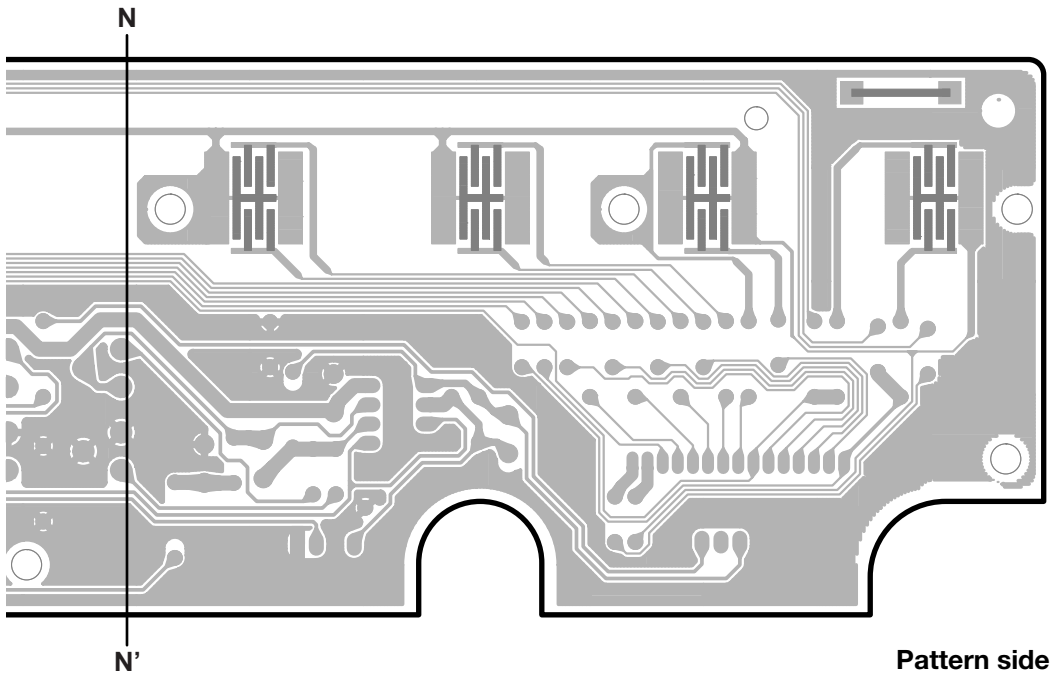
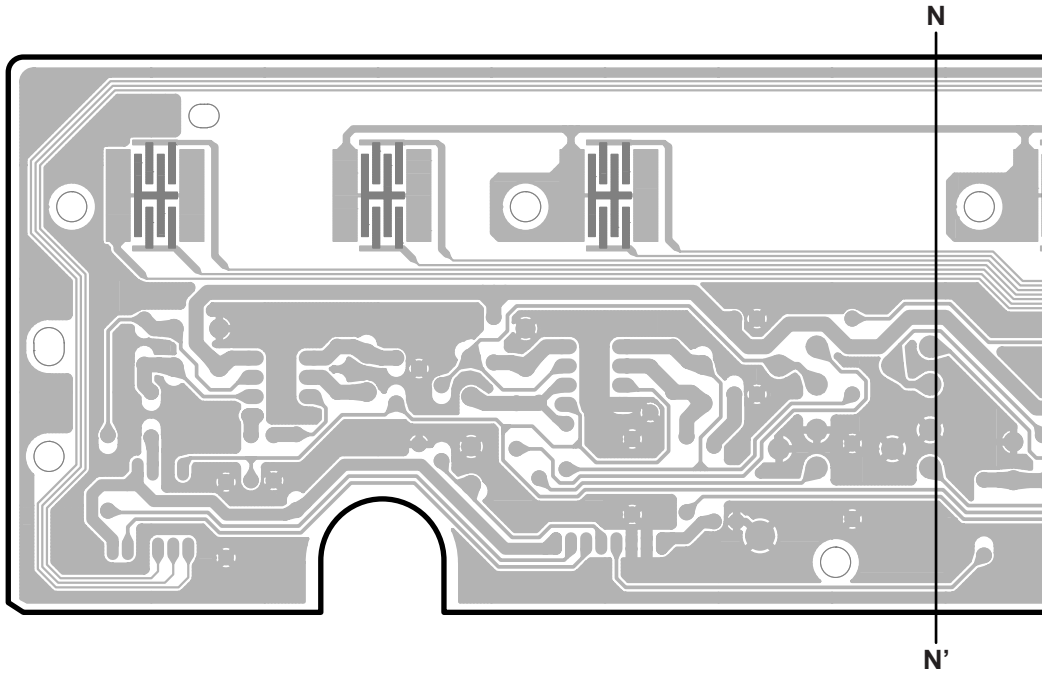
● MKH Circuit Board (ELS-01/ELS-01C)



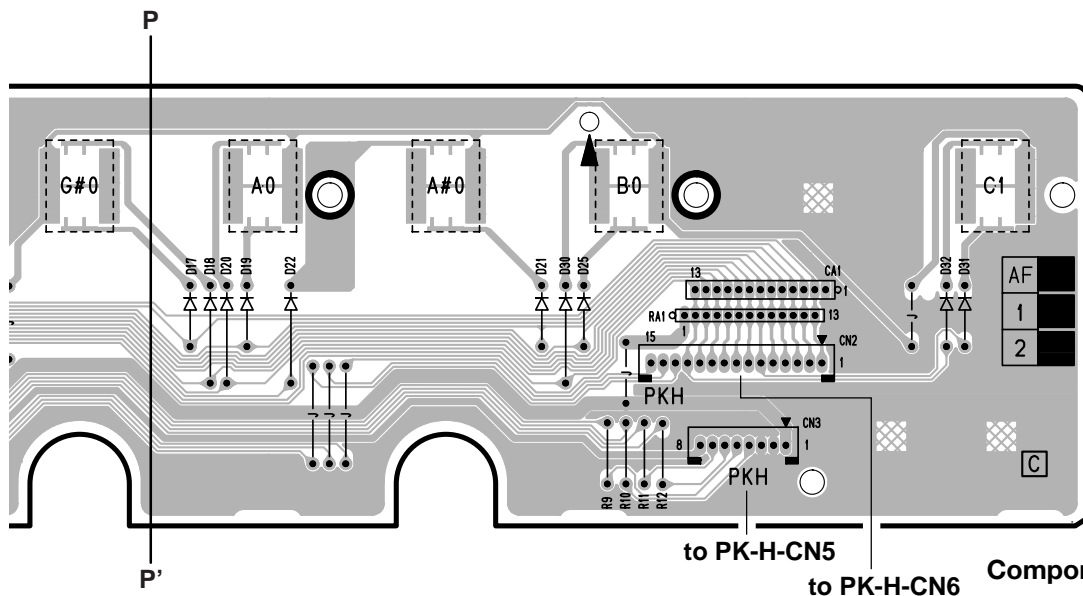
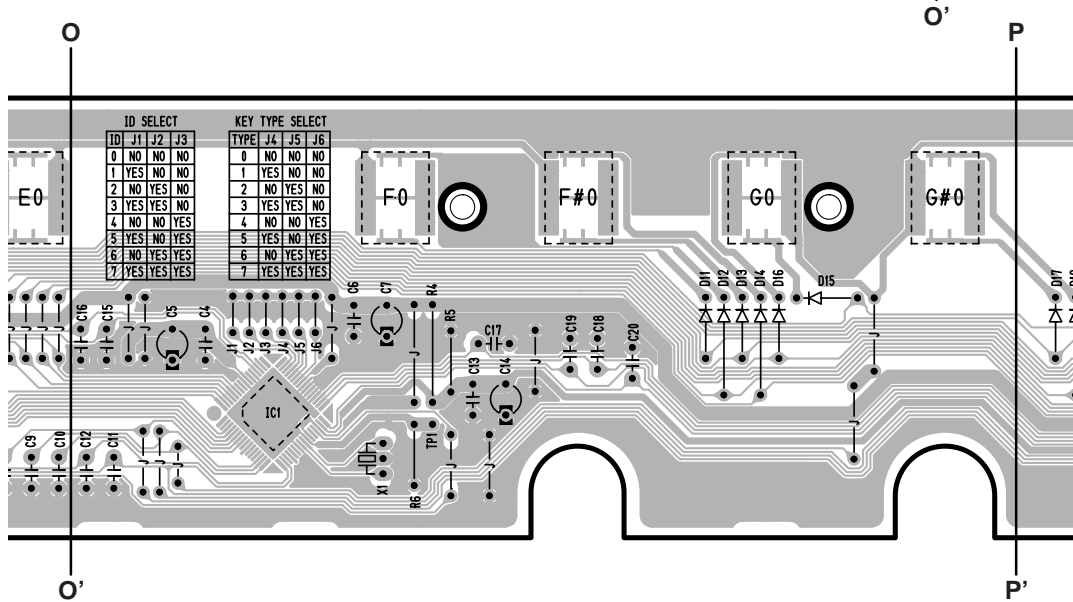
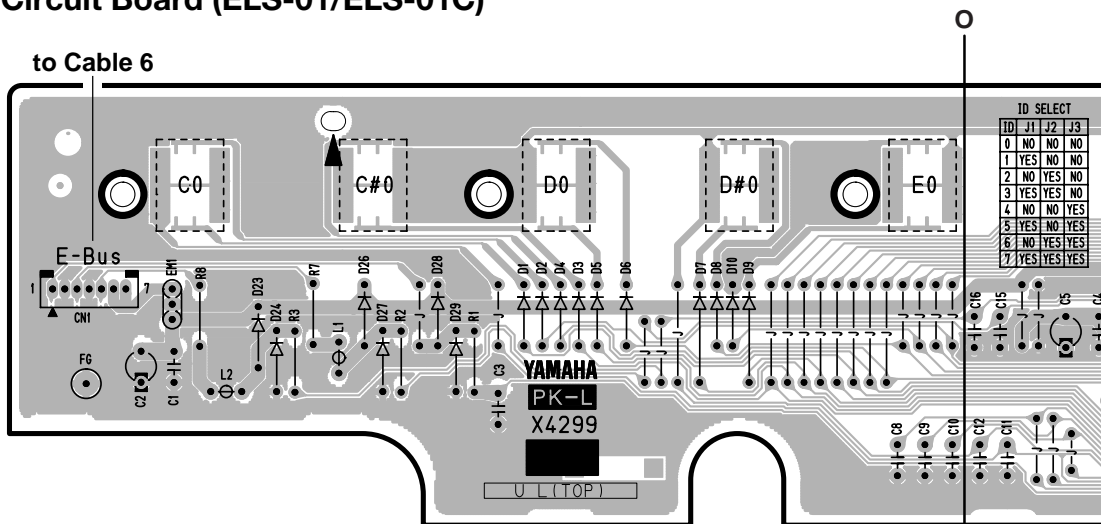
● PK-H Circuit Board (ELS-01/ELS-01C)



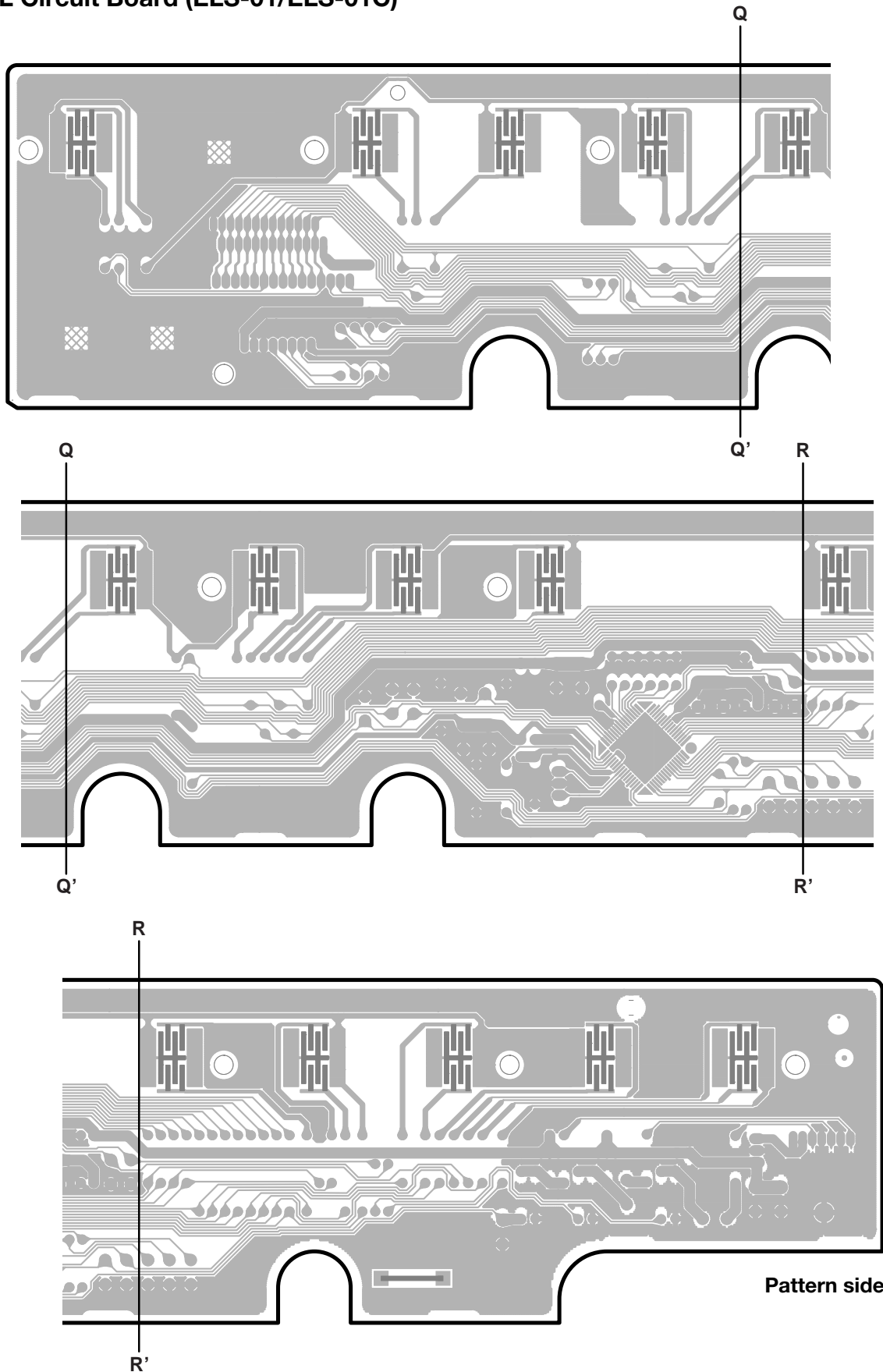
• PK-H Circuit Board (ELS-01/ELS-01C)



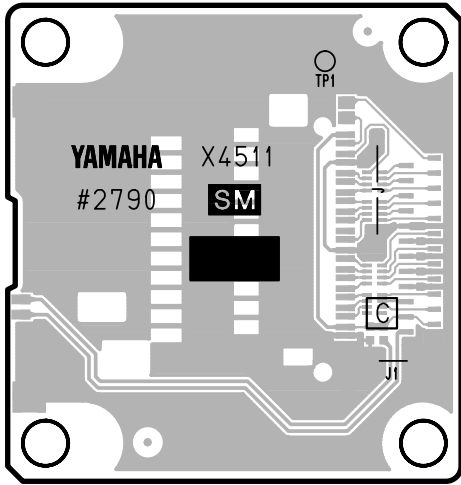
• PK-L Circuit Board (ELS-01/ELS-01C)



• PK-L Circuit Board (ELS-01/ELS-01C)

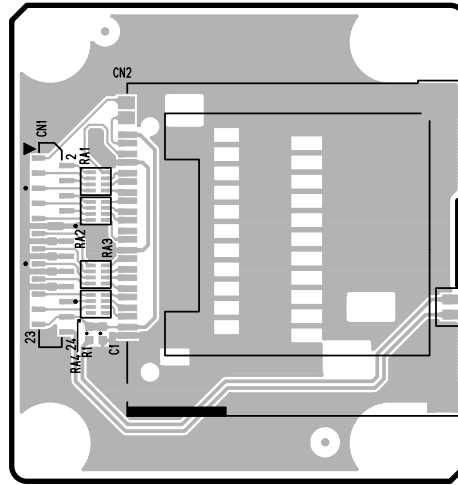


● SM Circuit Board (ELS-01/ELS-01C)



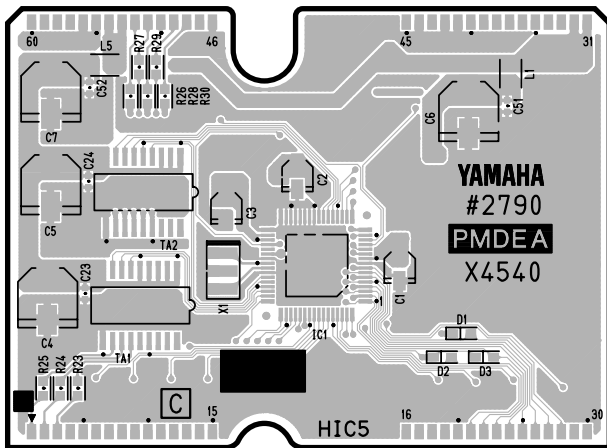
Component side

to TA-CN11

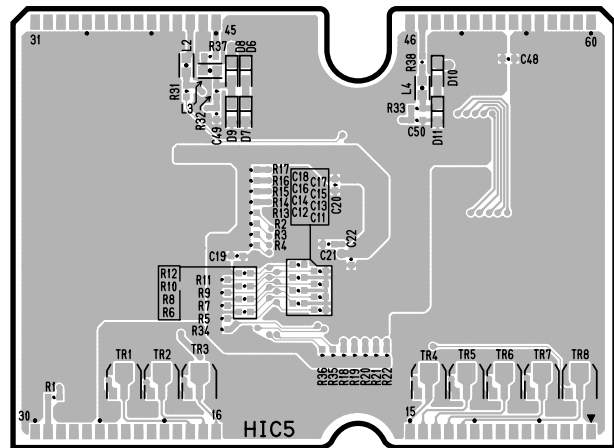


Pattern side

● PMDEA Circuit Board (ELS-01/ELS-01C)

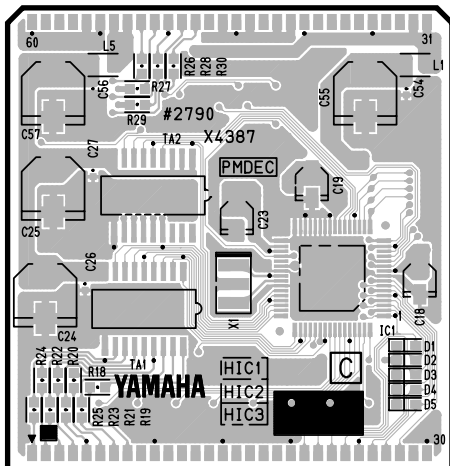


Component side

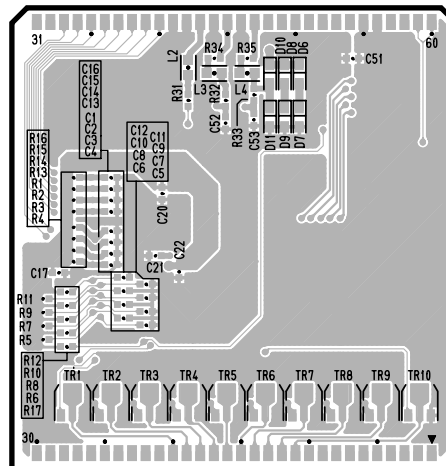


Pattern side




● PMDEC Circuit Board (ELS-01/ELS-01C)



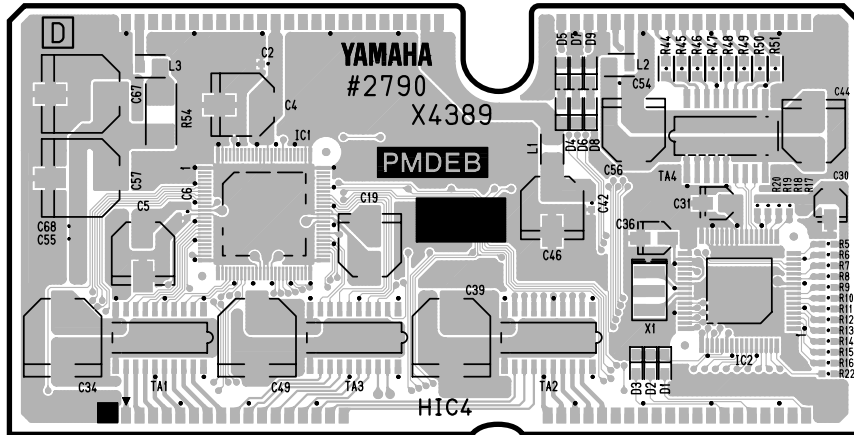
Component side



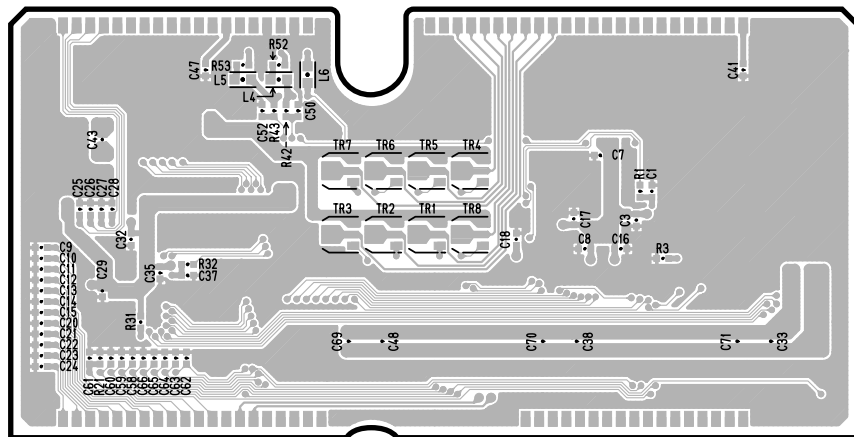
Pattern side

SM: 2NA-WB70390 
 PMDEA: 2NA-WB72770 
 PMDEC: 2NA-WB42360 

• PMDEB Circuit Board (ELS-01/ELS-01C)

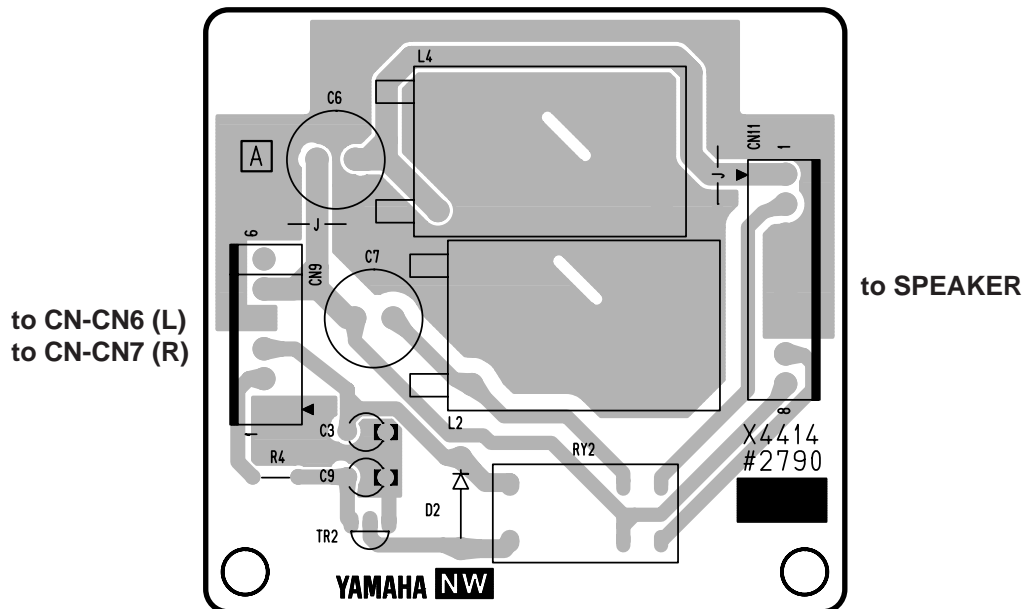


Component side




Pattern side

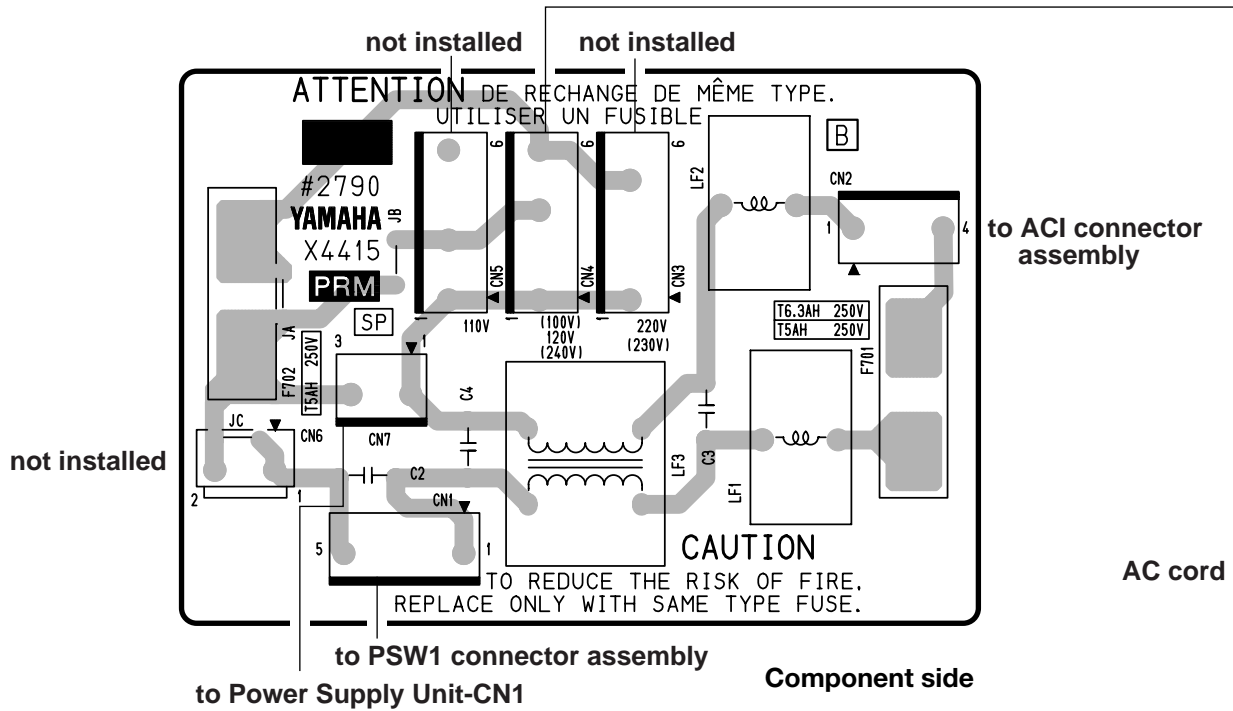
• NW Circuit Board (ELS-01/ELS-01C)



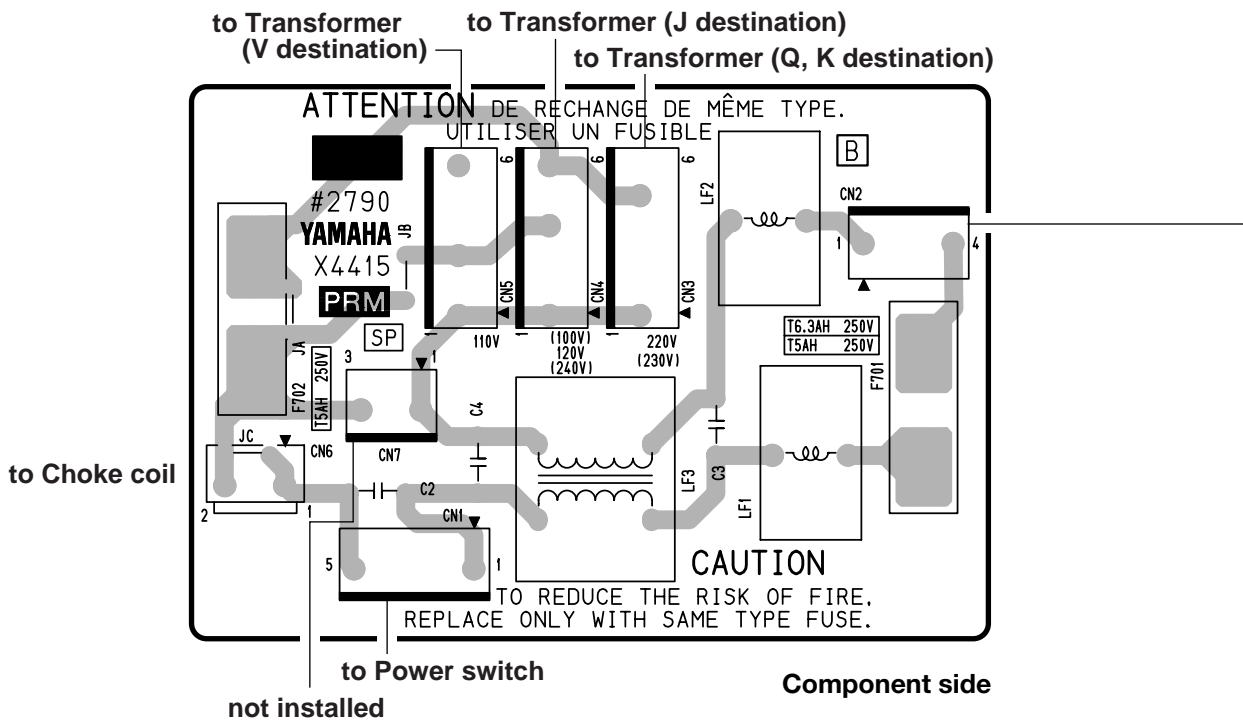
Component side

PMDEB: 2NA-WB42370 
 NW: 2NA-WB74380-1

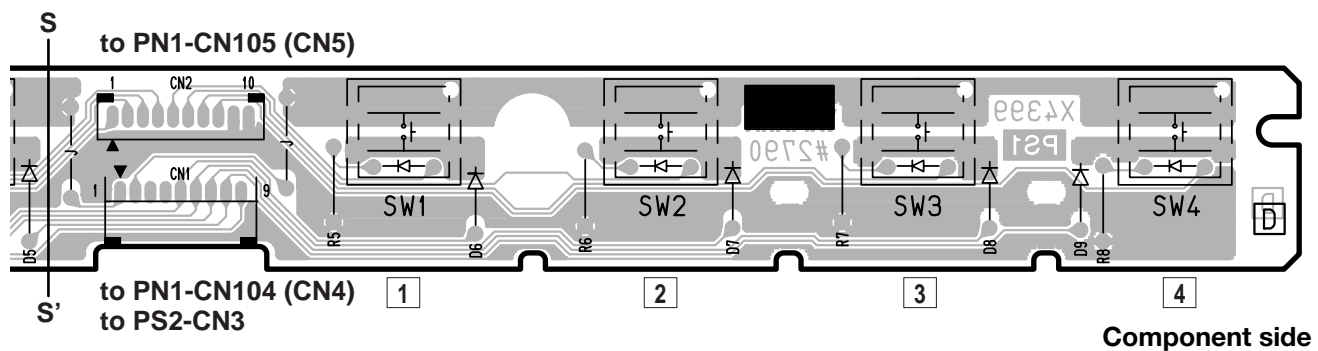
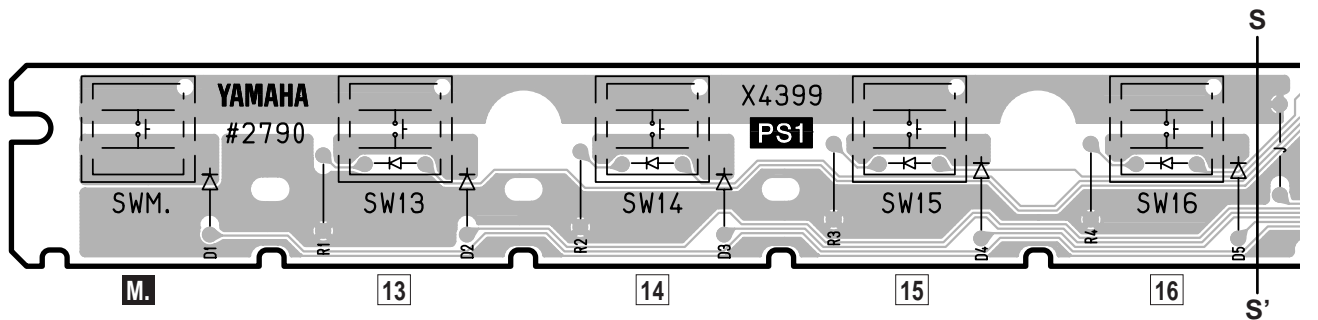
• PRM (DM) Circuit Board (ELS-01/ELS-01C)



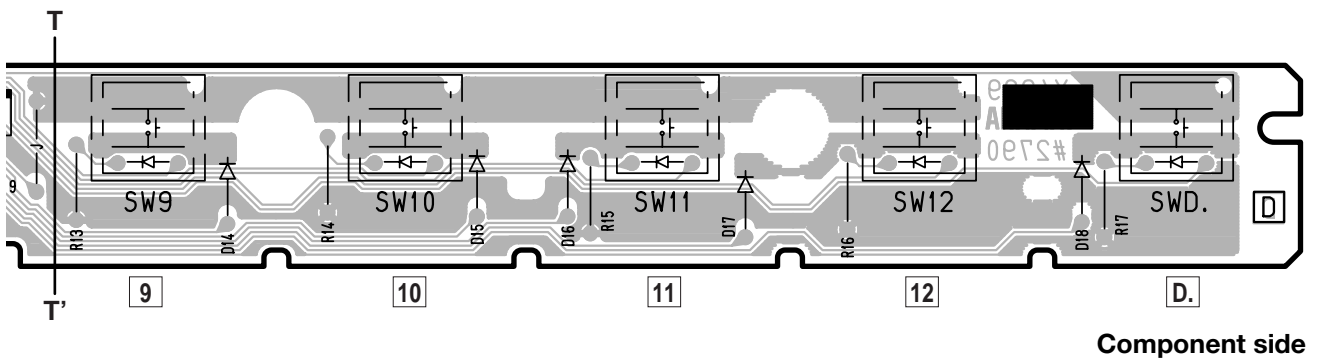
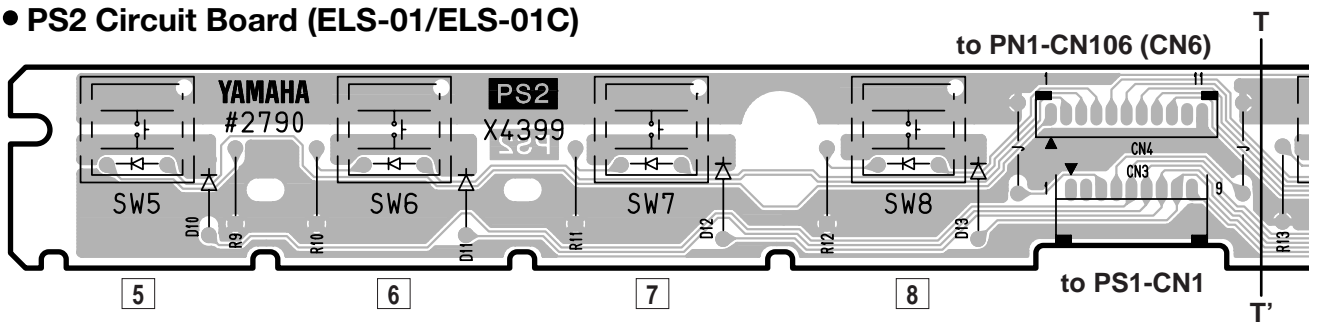
• PRM (SP AMP) Circuit Board (ELS-01/ELS-01C)



• PS1 Circuit Board (ELS-01/ELS-01C)



• PS2 Circuit Board (ELS-01/ELS-01C)

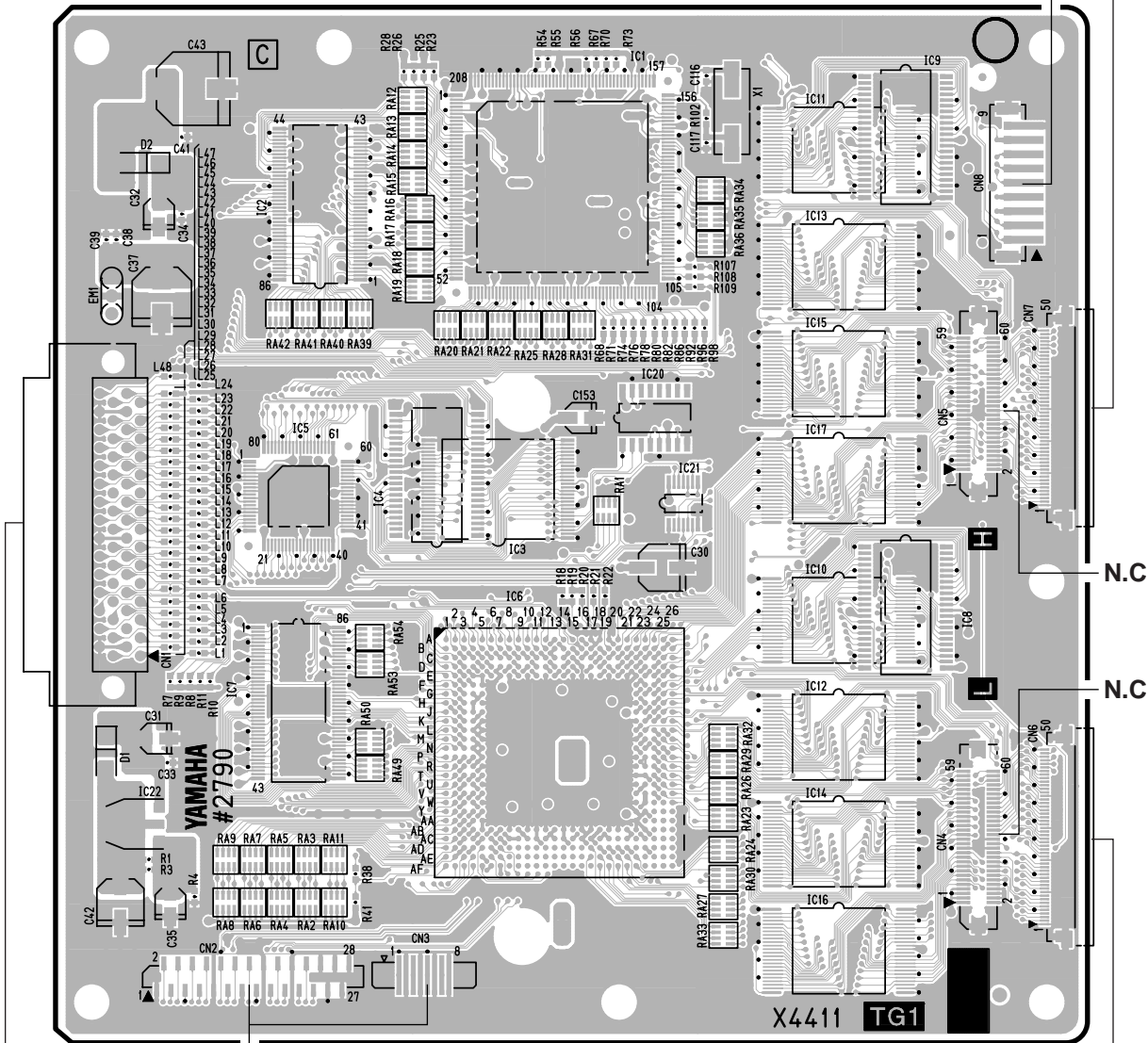


PS1: 2NA-WB44630-1
 PS2: 2NA-WB44630-1

- TG1-E1 Circuit Board (ELS-01/ELS-01C)
- TG1-E2 Circuit Board (ELS-01/ELS-01C)
- TG1-E3 Circuit Board (ELS-01C)

to TG1-E1-CN7 (TG1-E2)
to TG1-E2-CN7 (TG1-E1)

not installed



N.C

N.C

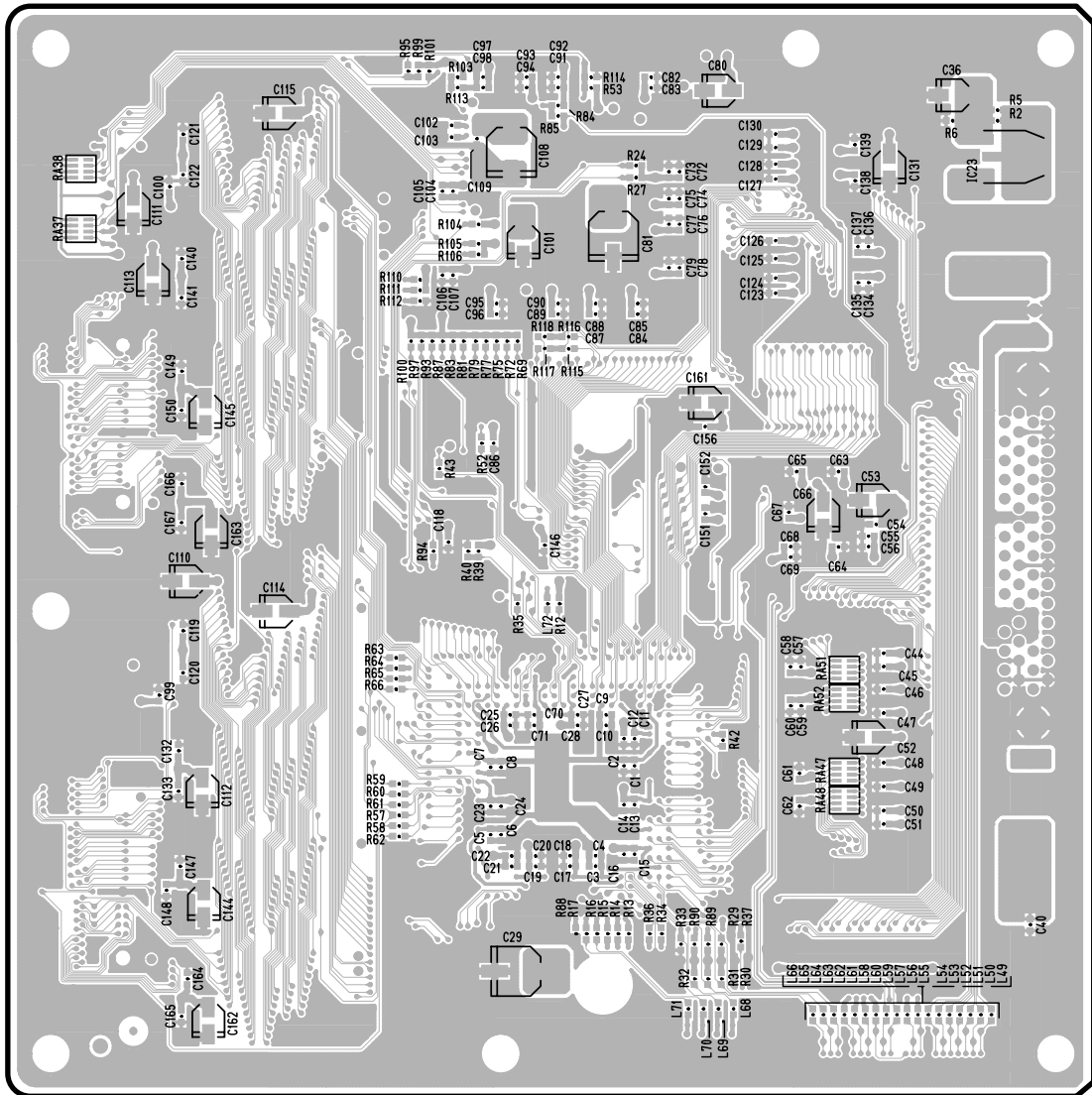
not installed

to TG1-E1-CN6 (TG1-E2)
to TG1-E2-CN6 (TG1-E1)

Component side

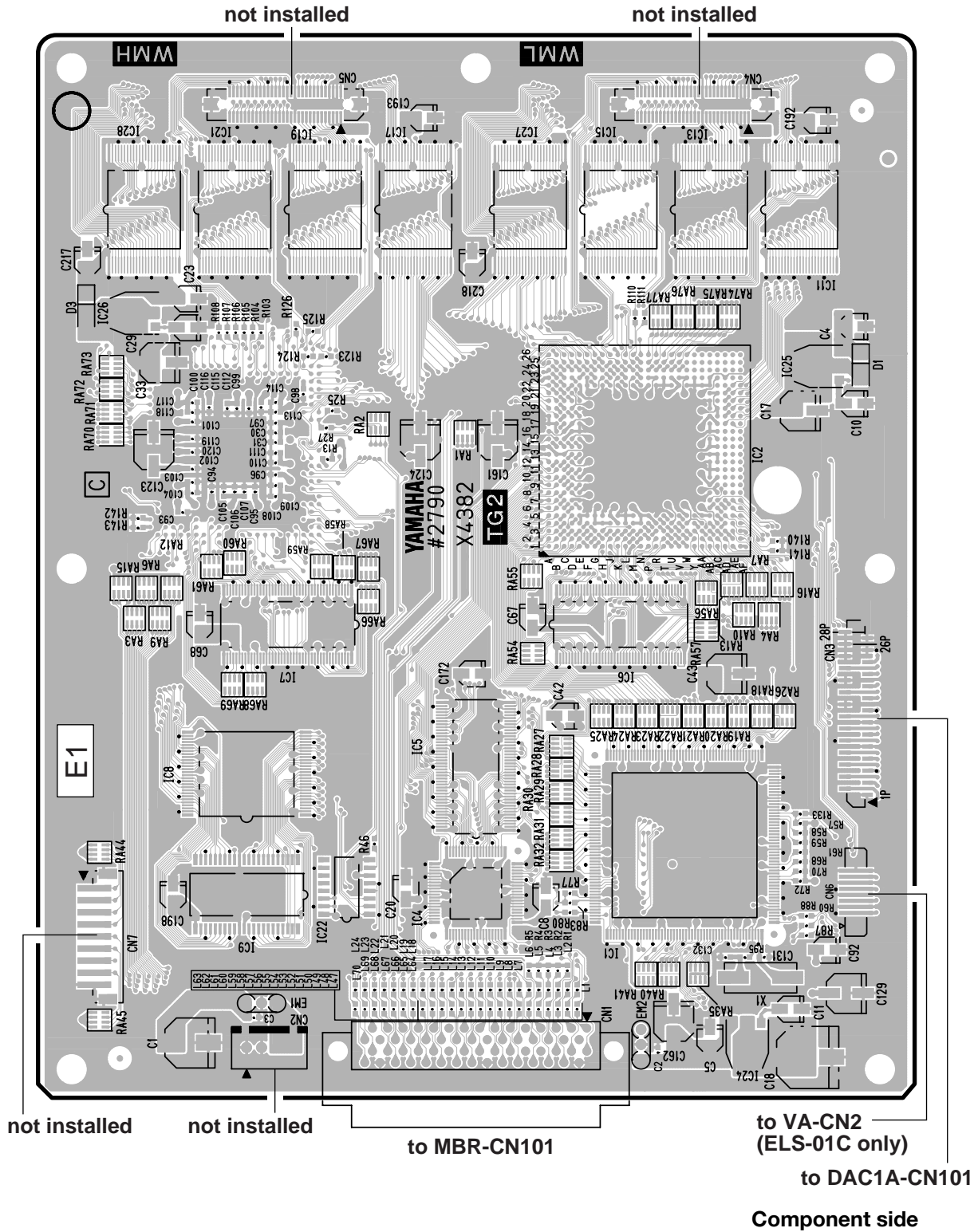
to MBL-CN202 (TG1-E1)
to MBL-CN201 (TG1-E2)
to MBL-CN200 (TG1-E3) (ELS-01C only)

- TG1-E1 Circuit Board (ELS-01/ELS-01C)
- TG1-E2 Circuit Board (ELS-01/ELS-01C)
- TG1-E3 Circuit Board (ELS-01C)

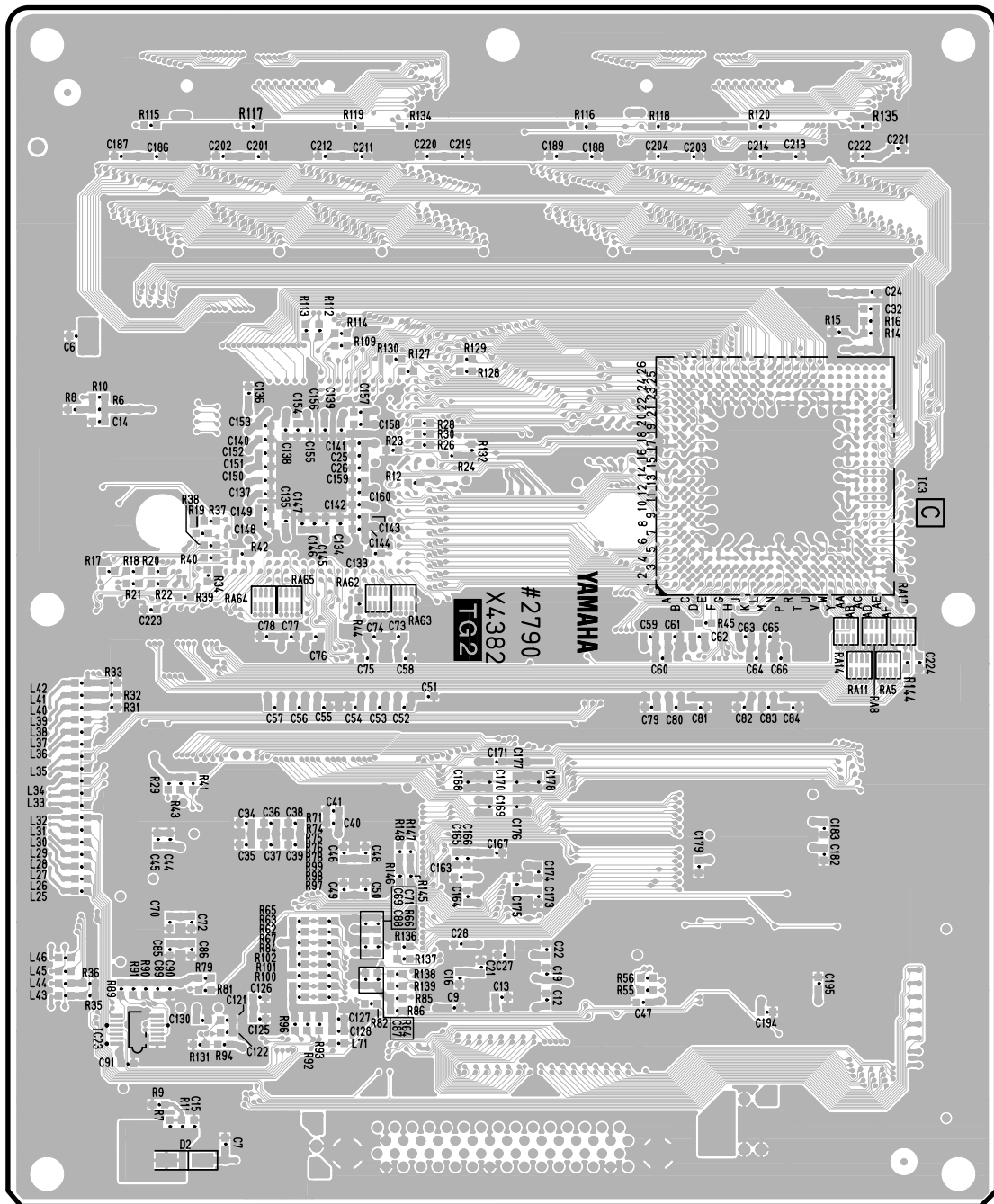


Pattern side

• TG2A (TG2) Circuit Board (ELS-01/ELS-01C)

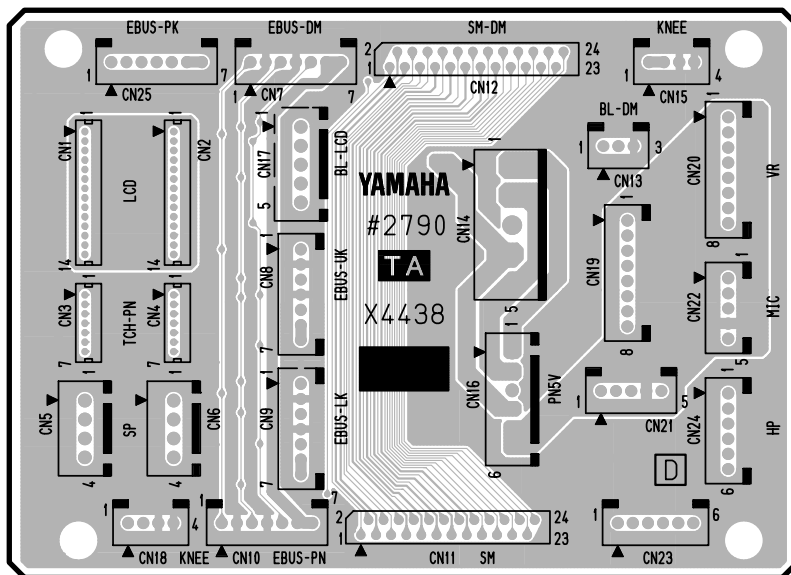


● TG2A (TG2) Circuit Board (ELS-01/ELS-01C)



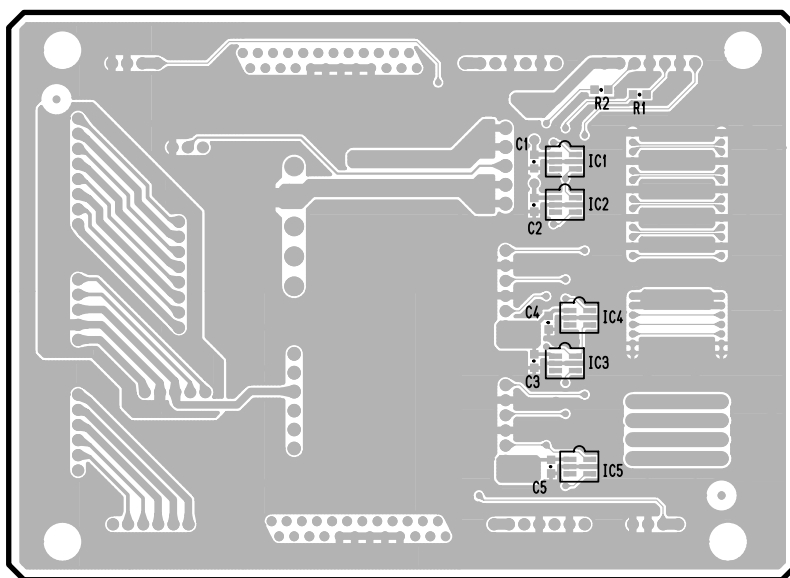
Pattern side

● TA Circuit Board (ELS-01/ELS-01C)





Component side

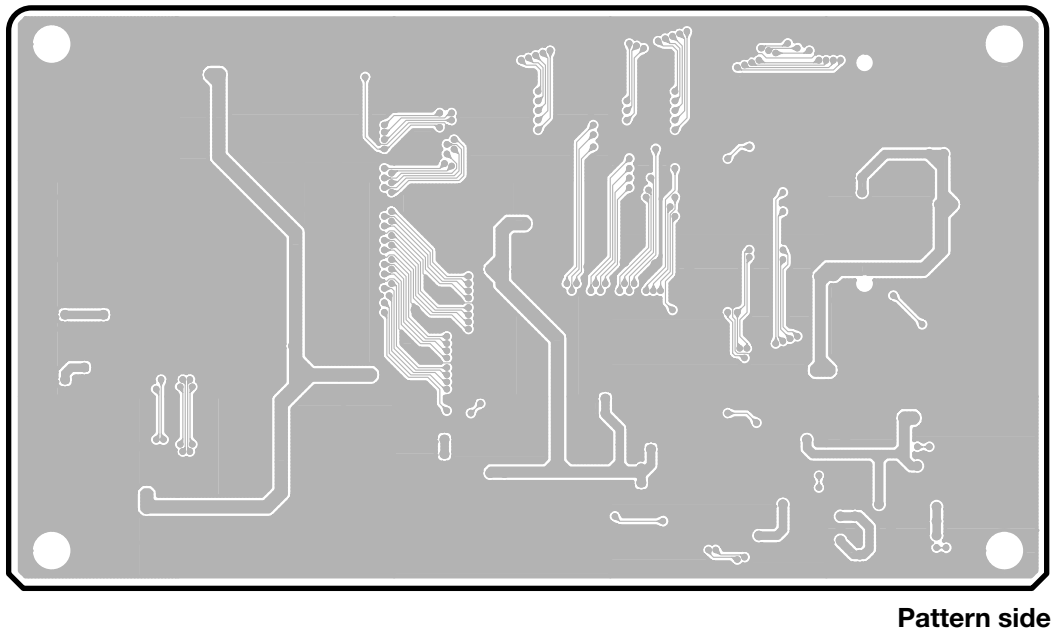
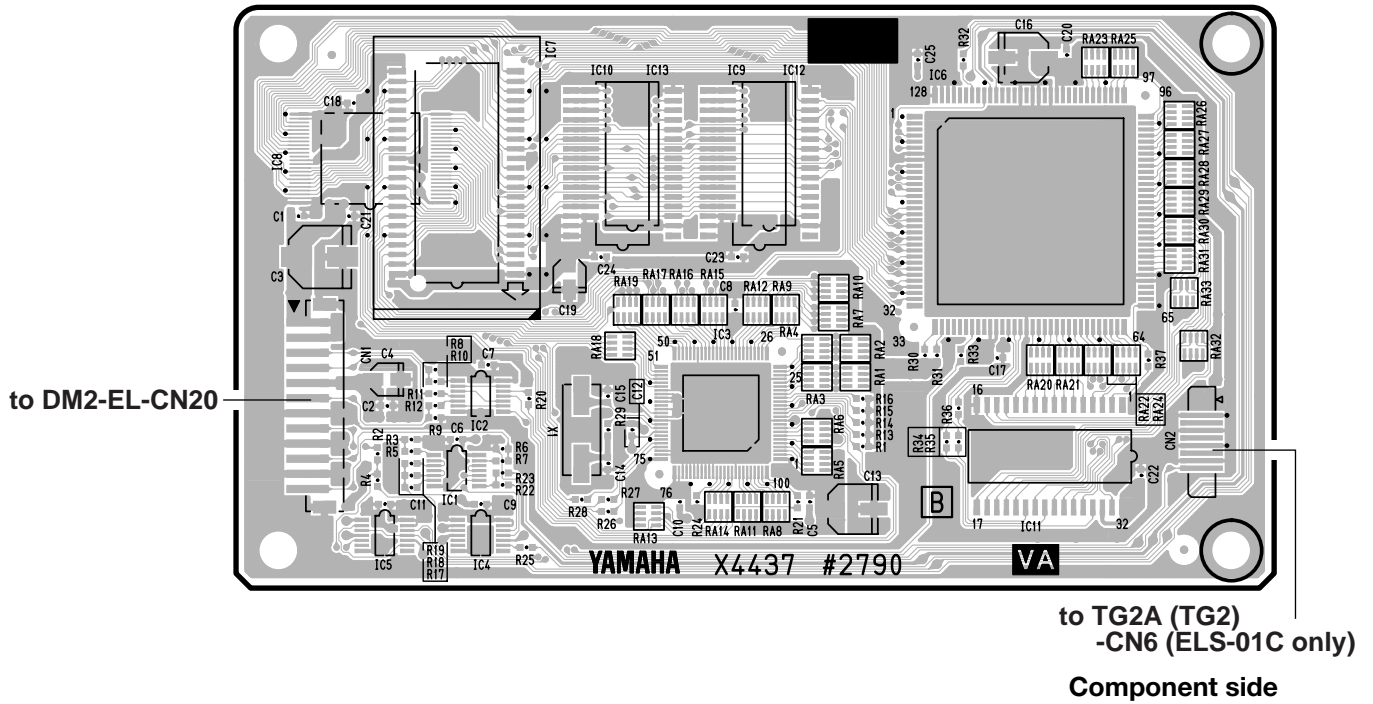
- | | | |
|-----------------------------|--------------------------------|----------------------|
| CN1: to DM2-EL-CN7 | CN10: to PN1-CN102 (CN2) | CN19: to MVR-CN4 |
| CN2: to Y65-VGA-CN1 | CN11: to SM-CN1 | CN20: to AJACK-CN2 |
| CN3: to DM2-EL-CN8 | CN12: to DM2-EL-CN14 | CN21: to MIC-CN300 |
| CN4: to Y65-VGA-CN5 | CN13: to DM2-EL-CN4 | CN22: to DAC1A-CN701 |
| CN5: to MSP-CN4 | CN14: to Power Supply Unit-CN5 | CN23: to HP-CN1 |
| CN6: to Monitor speaker L/R | CN15: to DM2-EL-CN2 | CN24: to AJACK-CN4 |
| CN7: to DM2-EL-CN16 | CN16: to PN2-CN203 (CN3) | CN25: to Cable 7 |
| CN8: to EMKS-F-CN4 (UK) | CN17: to Y65-VGA-CN3002 | |
| CN9: to EMKS-F-CN4 (LK) | CN18: to KELEV-CN1 | |



Pattern side

2NA-WC22970-1 
 2NA-WC22970-2 

• VA Circuit Board (ELS-01C)



■ TEST PROGRAM

* If you execute the test No. 88, Factory Set, data on Internet settings and LCD calibration may be lost.

1 Measurement conditions

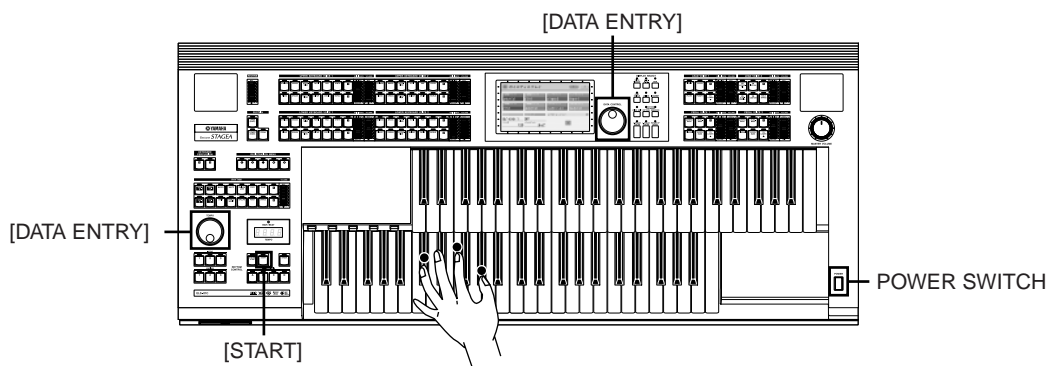
1-1: Measuring instruments

- Level meter (with a JIS-C filter).
- Frequency counter.

1-2: Accessories

Microphone, MIDI cable, USB cable, FDD, Smart Media, Optical cable, AV amplifier, etc.

2 Starting up the test program



Press the power switch on the lower keyboard while pressing and holding the [C2#], [F2], and [C2#] (C2# major code).

2-1: How to carry out tests

- 1) "TEST" will appear on the LCD when the test program starts up.
- 2) Go to item choosing mode with [DATA ENTRY] dial.
- 3) Press [START] button to execute a test.

- **If the result is successful.**

If the selection screen is acceptable, an asterisk " * " will be displayed at the head, so that you can see later if it has already been checked.

If the result is successful, you can return to the selection screen with [START], [BREAK] or [Lowest Note].

- **If the result is unacceptable.**

If the result is unacceptable, you can return to the choice picture with [BREAK] or [Lowest Note].

To return to the last item, turn counterclockwise the [DATA ENTRY] dial at the head of items.

3 Tests Overview

Test No.	LCD display	01C only	Test descriptions, judging conditions, etc.
1	001 : Version		Displaying model name and destination.
2	002 : ROM Check1		Checking ROM (simplified check). Check ROM connected to CPU bus. Confirm that " ROM Check1 OK " is displayed on LCD.
3	003 : RAM Check1		Checking RAM (simplified check). Check RAM connected to CPU bus. Confirm that " RAM Check1 OK " is displayed on LCD.
4	004 : Flash Check1		Checking flash memory (simplified check). Check flash memory connected to CPU bus. Confirm that " Flash check 1 OK " is displayed on LCD. It will take about 30 seconds before the test is over.
5	005 : Wave ROM Check1		Checking wave ROM (simplified check). Confirm that " Wave ROM Check OK " is displayed on LCD.
6	006 : Effect RAM Check1		Checking Effect RAM (simplified check). Confirm that " Effect RAM Check TG1 OK " to " Effect RAM Check TG5 OK " and are displayed on LCD.
7	007 : TG 1 Check		Checking sound source 1. TG2A circuit board and SWP50 (IC2) are checked and sound is produced. Check sound source and sound production by producing sound from the low range of keyboard that can produce sound while switching sequentially the sound producing channels of the sound source with the default sound color as a sine wave. Verify absence of abnormal sound or noise. Sound production stops as the check for the number of sound producing channels is over. Sound producing keyboard range includes 32 sounds from C2 to G4. The number of sounds produced is 64. " TG 1 END " will appear when the check is over.
8	008 : TG 2 Check		Checking sound source 2. TG2A circuit board and SWP50 (IC3) are checked and sound is produced. Check sound source and sound production by producing sound from the low range of keyboard that can produce sound while switching sequentially the sound producing channels of the sound source with the default sound color as a sine wave. Verify absence of abnormal sound or noise. Sound production stops as the check for the number of sound producing channels is over. Sound producing keyboard range includes 32 sounds from C2 to G4. The number of sounds produced is 64. " TG 2 END " will appear when the check is over.
9	009 : TG 3 Check		Checking sound source 3. TG1-E1 circuit board and SWP50 (IC6) are checked and sound is produced. Check sound source and sound production by producing sound from the low range of keyboard that can produce sound while switching sequentially the sound producing channels of the sound source with the default sound color as a sine wave. Verify absence of abnormal sound or noise. Sound production stops as the check for the number of sound producing channels is over. Sound producing keyboard range includes 32 sounds from C2 to G4. The number of sounds produced is 64. " TG 3 END " will appear when the check is over.
10	010 : TG 4 Check		Checking sound source 4. TG1-E2 circuit board and SWP50 (IC6) are checked and sound is produced. Check sound source and sound production by producing sound from the low range of keyboard that can produce sound while switching sequentially the sound producing channels of the sound source with the default sound color as a sine wave. Verify absence of abnormal sound or noise. Sound production stops as the check for the number of sound producing channels is over. Sound producing keyboard range includes 32 sounds from C2 to G4. The number of sounds produced is 64. " TG 4 END " will appear when the check is over.

Test No.	LCD display	01C only	Test descriptions, judging conditions, etc.
11	011 : TG 5 Check	○	<p>Checking sound source 5. TG1-E3 circuit board and SWP50 (IC6) are checked and sound is produced.</p> <p>Check sound source and sound production by producing sound from the low range of keyboard that can produce sound while switching sequentially the sound producing channels of the sound source with the default sound color as a sine wave.</p> <p>Verify absence of abnormal sound or noise.</p> <p>Sound production stops as the check for the number of sound producing channels is over.</p> <p>Sound producing keyboard range includes 32 sounds from C2 to G4. The number of sounds produced is 64.</p> <p>"TG 5 END" will appear when the check is over.</p>
12	012 : TG bus Check		<p>Checking sound source bus.</p> <p>Check sound source and sound production with the default sound color as a sine wave. Verify absence of abnormal sound or noise.</p> <p>Check for absence of problems in connection (A-Bus) among TG1, -4, and -1.</p> <p>Sound production stops in about two seconds.</p> <p>"TG bus Check END" will appear when the check is over.</p>
13	013 : VA Check	○	<p>Checking VA.</p> <p>Sound is produced with specified sound of VA at specified level, PAN=center.</p> <p>Check if sound is produced.</p> <p>Sound production stops when returning to selection screen with [START] button.</p>
14	014 : Pitch Check		<p>Checking pitch. Sound is produced with 441.4 Hz sine wave at a specified level, PAN=center. Sound production stops when returning to selection screen with [START] button.</p>
15	015 : Output R Check		<p>Checking Output Level R.</p> <p>Sound is produced with the sine wave of about 1046 Hz (C5) at a specified level, PAN=R. Check if sound is produced at the specified level. No sound is produced from the sub.</p> <p>With [MASTER VOLUME] at the maximum, connect a level meter (with JIS-C filter) to L and R of [PHONES] terminal, with a load of 33Ω. Measure for each of two terminals.</p> <p>Set the [MASTER VOLUME] to the minimum.</p> <p>With [MASTER VOLUME] at maximum, -30.0 dBu or less on L, +6.3dBu ± 2 dB on R.</p> <p>With [MASTER VOLUME] at minimum, -70.0 dBu or less on L, -25.0 dBu or less on R.</p> <p>With [MASTER VOLUME] at the maximum, connect a level meter (with JIS-C filter) to L/L+R and R of [AUX OUT] terminal. Set the load to be 10 kΩ. Insert plugs to both of L/L+R and R terminals. Set the [MASTER VOLUME] to the minimum.</p> <p>With [MASTER VOLUME] at maximum, -60.0 dBu or less on L, +10.2dBu ± 2 dB on R.</p> <p>With [MASTER VOLUME] at minimum, -80.0 dBu or less on L, -25.0 dBu or less on R.</p> <p>With [MASTER VOLUME] at the maximum, connect a level meter (with JIS-C filter) to L and R of [FIXED AUX OUT] terminal. Set the load to be 10 kΩ.</p> <p>Set the [MASTER VOLUME] to the minimum.</p> <p>With [MASTER VOLUME] at maximum, -70.0 dBu or less on L, +4.3dBu ± 2 dB on R.</p> <p>With [MASTER VOLUME] at minimum, -85.0 dBu or less on L, +4.3 dBu ± 2 dB on R.</p> <p>Sound production stops when returning to selection screen with [START] switch.</p>

Test No.	LCD display	01C only	Test descriptions, judging conditions, etc.
16	016 : Output L Check		<p>Checking Output Level L. Sound is produced with the sine wave of about 1046 Hz (C5) at a specified level, PAN=L. Check if sound is produced at the specified level. No sound is produced from the sub.</p> <p>With [MASTER VOLUME] at the maximum, connect a level meter (with JIS-C filter) to L and R of [PHONES] terminal. Set the load to be 33Ω. Measure for each of two terminals. Set the [MASTER VOLUME] to the minimum. With [MASTER VOLUME] at maximum, +6.3dBu ± 2 dB on L, -30.0 dBu or less on R. With [MASTER VOLUME] at minimum, -25.0 dBu or less on L, -70.0 dBu or less on R.</p> <p>With [MASTER VOLUME] at the maximum, connect a level meter (with JIS-C filter) to L/L+R and R of [AUX OUT] terminal. Set the load to be 10KΩ. Insert plugs to both of L/L+R and R terminals. Set the [MASTER VOLUME] to the minimum. With [MASTER VOLUME] at maximum, +10.2dBu ± 2 dB on L, -60.0 dBu or less on R. With [MASTER VOLUME] at minimum, -25.0 dBu or less on L, -80.0 dBu or less on R.</p> <p>With [MASTER VOLUME] at the maximum, insert a plug to L/L+R only of [AUX OUT] terminal. +4.5 dBu ± 2dB on L.</p> <p>With [MASTER VOLUME] at the maximum, connect a level meter (with JIS-C filter) to L and R of [FIXED AUX OUT] terminal. Set the load to be 10KΩ. Set the [MASTER VOLUME] to the minimum. With [MASTER VOLUME] at maximum, +4.3 dBu ± 2 dB on L, -70.0 dBu or less on R. With [MASTER VOLUME] at minimum, +4.3 dBu ± 2 dB on L, -85.0 dBu or less on R. Sound production stops when returning to selection screen with [START] button.</p>
19	019 : EQ Low Check		<p>Checking EQ-LOW frequency. Sound is produced from MAIN L/R and sub-1, 2 with a sine wave of about 64.5 Hz (C1) at specified level, PAN=center. Sound production stops when returning to selection screen with [START] button.</p>
20	020 : EQ Mid Check		<p>Checking EQ-MID frequency. Sound is produced from MAIN L/R and sub-1, 2 with a sine wave of about 523 Hz (C4) at specified level, PAN=center. Sound production stops when returning to selection screen with [START] button.</p>
21	021 : EQ High Check		<p>Checking EQ-HIGH frequency. Sound is produced from MAIN L/R and sub-1, 2 with a sine wave of about 4186 Hz (C7) at specified level, PAN=center. Sound production stops when returning to selection screen with [START] button.</p>
23	023 : MUTE Check		<p>Checking MUTE. Sound is produced with a sine wave of about 1046 Hz (C5) at specified level, PAN=center. Pressing the [SYNCHRO START] button repeats sound production (MUTE OFF) and stop (MUTE ON). Verify that MUTE relay is not stuck.</p>
25	025 : MIC Check		<p>Checking MIC. "MIC Inserted" is displayed at the bottom of LCD when MIC is inserted. "MIC NOT Inserted" is displayed at the bottom of LCD when MIC is not inserted. Test sound production from MIC input. Verify absence of noise and abnormal sound. Check if insertion and removal of MIC can be detected by switching MIC insertion and removal.</p>

Test No.	LCD display	01C only	Test descriptions, judging conditions, etc.
26	026 : Digital Out Check		<p>Checking Digital Out. Connect external devices such as AV amp using optical cable. Check if sound of Digital Out is produced by producing sound from MAIN L/R with a sine wave of about 1 kHz at specified level, PAN=Center. No sound is produced from the sub.</p> <p>Sound production stops when returning to selection screen with [START] button. Output of Digital Out is produced also when other sound production is checked.</p>
27	027 : SW, LED Check		<p>Checking SW LED. Turn on sequentially all the panel switches displayed on LCD using caution not to press two switches at a time.</p> <p>When a switch is pressed, a switch code is displayed on a 7-segment LED.</p> <p>When a panel switch is turned on, a sine wave sound is produced at a sound scale in the switch test sequence table (See page 109). If the switch has an LED, it lights up. It goes out when a next correct switch is turned on. When all the switches are finished, confirm with up-and-down actions detection in the order of [TEMPO] dial and [DATA CONTROL] dial. If a switch is pressed which is not specified, a corresponding sound is produced. If the test is successful, you can go to the selection screen, using [START] button.</p> <p>Pressing the [BREAK] button ends the check. (It is effective after [BREAK] button test is over.) Confirm that "SW, LED Check OK" is displayed on LCD.</p> <p>"NG" is displayed when a switch other than specified is pressed. "Over Two Sw" is displayed when plural switches are pressed.</p>
28	028 : All Panel LED On Check		<p>Checking all the panel LED's lighting up.</p> <p>All the panel LED's will light up.</p> <p>Because of current capacity, LED is divided into blocks and lighting is switched from one block to another every time [SYNCHRO START] button is pressed. When this test is over, LED goes out. Press [START] button to exit from the test.</p>
33	033 : All LCD ON Check		Checking all LCD's lighting up. Turn all the LCD dots into black.
34	034 : All LCD off Check		Checking all LCD's going out. Turn all the LCD dots into white.
35	035 : Touch Panel Check		<p>Checking touch panel. Press four corners and center of touch panel with finger and remove finger immediately. Prolonged pressing will result in failure.</p> <p>When all the sensors of the touch panel are confirmed operative, the test is successful.</p> <p>Press in the order of upper left, lower left, lower right, upper right, and center. Confirm that "Touch Panel Check OK" is displayed on LCD.</p>
36	036 : LCD Brightness Check		Checking LCD brightness. LCD brightness will vary as REGIST 1, 2, 3, and 4 are pressed in sequence. " LCD Brightness " is displayed when the test is over.
37	037 : LCD Pattern Check		Checking LCD pattern. Switch from RGB pattern (it will take about five seconds before proceeding to a rainbow pattern) → rainbow pattern → flicker noise check pattern, using [SYNCHRO START] button. Display color pattern for inspecting picture quality of LCD. It may take several seconds before a pattern is displayed.
49	049 : Exp.Pedal Check		Checking expression pedal. Switch Exp. Pedal from Min to Max. Switch Exp. Pedal from Max to Min. Confirm visually that 0.127 is displayed.
50	050 : 2ndExp.Pedal Check	○	<p>Checking expression pedal (2nd expression pedal).</p> <p>Move 2nd expression pedal from middle to Max. Move 2nd expression pedal from Max to Min. Release 2nd Exp. Pedal (returns to the middle).</p> <p>For 2nd Exp., middle of 2nd Exp. is detected after detecting Min and Max.</p> <p>Test is successful if the following are detected: Max (sine wave sound C3 is produced here) → Min (sine wave sound G3 is produced here) → Center (sine wave sound C4 is produced here). Confirm that "Exp. Pedal Check OK" is displayed when test is successful as Center is detected.</p>
51	051 : EL Pedal SW Check		<p>Checking switch attached to expression pedal.</p> <p>Return by operating Exp. Pedal SW Left. Return by operating Exp. Pedal SW Right. Test is successful when all the switches are detected.</p> <p>Confirm that "EL Pedal SW Check OK" is displayed on LCD.</p>

Test No.	LCD display	01C only	Test descriptions, judging conditions, etc.
52	052 : Knee Lever Check		<p>Checking knee lever. Operate the knee lever to return. Start testing with the knee lever out. Test is successful when the knee lever operation detects On (sine wave sound C3 is produced here) → Off (sine wave sound C4 is produced here). Confirm that "Knee Lever Check OK" is displayed on LCD.</p>
53	053 : MIDI Check		<p>Checking MIDI. Connect IN and OUT of [MIDI] terminal with a MIDI cable. Confirm that "MIDI Check OK" is displayed on LCD. Remove the MIDI cable when the test is over.</p>
57	057 : USB to Device/Host Check		<p>Checking [USB TO DEVICE] terminal and [USB TO HOST] terminal simultaneously. <For ELS-01> Press [START] button first. "Connect USB to Device and to Host" will appear on LCD. When USB cable is connected to [USB TO DEVICE] terminal and [USB TO HOST] terminal, "USB to Device/Host1 Check OK" will appear, immediately followed by "Connect USB Storage Device". Pull USB cable off [USB TO DEVICE] terminal and [USB TO HOST] terminal and connect USB cable of FDD to [USB TO DEVICE] terminal. Confirm that "USB to Device/Host Check OK" is displayed on LCD. <For ELS-01C> Connect the USB cable of FDD. Press [START] button. "USB to Device/Host1 Check OK" will appear, immediately followed by "USB to Device/Host2 Check --". Using USB cable, connect [USB TO DEVICE] terminal and [USB TO HOST] terminal. Confirm that "USB to Device/Host Check OK" is displayed on LCD.</p>
58	058 : USB Storage Device Check		<p>Testing if USB Storage devices can be used. 1. Connect FDD to ELS-01C → [USB TO DEVICE] terminal and insert a floppy disk. Insert a floppy disk to ELS-01C → FDD. When no disk is inserted, "NO DISK" will be displayed. 2. Conduct 10-sector read/write test. 3. Read every 100 sectors from 0 sector. 4. Compare with data after sector writing to confirm agreement. Use also for testing compatibility with USB Storage devices and testing FDD in the same package. ELS-01C may be connected to any of USB terminals for testing. Confirm that "USB Storage Device Check OK" is displayed on LCD.</p>
59	059 : CARD Check		<p>Checking Card. Insert Smart Media (Card). 1. Conduct 10-sector read/write test. 2. Read every 100 sectors from 0 sector. 3. Compare with data after sector writing to confirm agreement. "NO CARD" will be displayed when test is started without a card inserted. Confirm that "CARD OK" is displayed on LCD.</p>
61	061 : KeyboardType Check		<p>Judging if keyboard fit for the present model is connected. Keyboard type currently connected is displayed. It will be OK if all the three keyboards are judged to be correct. For ELS-01, confirm that "Keyboard Type Check OK (UK : FS LK : FS PK : PK)" is displayed. For ELS-01C, confirm that "Keyboard Type Check OK (UK : FSV LK : FSV PK : PL-A)" is displayed on LCD.</p>
65	065 : Touch Check	○ (PK)	<p>Checking After-Touch (ELS-01C: UK, LK, PK / ELS-01: UK, LK). (Initial touch will also be carried out.) Press hard on keyboard to the extent that after-touch is effective, and release. Test is successful if MAX (sine wave sound C3 is produced here) → (sine wave sound C4 is produced here) is detected. When UK is pressed while pressing [SYNCHRO START] button, TEMPO LED displays after-touch 00 to 7F for VA. It will be OK when both Min and Max are detected. (Only for ELS-01C) Confirm that "Touch Check OK" is displayed on LCD.</p>

Test No.	LCD display	01C only	Test descriptions, judging conditions, etc.
66	066 : HORIZONTAL Check	○	Checking horizontal. Move left and right by pressing C3 key of UK and LK. Confirm that 0000 is displayed by leftward motion and 7F7F by rightward motion.
67	067 : ROM Check2		Check-sum testing ROM connected to CPU (complete check). Confirm that " ROM Check2 OK " is displayed on LCD. Check takes about 18 seconds.
68	068 : RAM Check2		Checking RAM connected to CPU (complete check). Confirm that " RAM Check2 OK " is displayed on LCD. Check takes about 10 seconds.
69	069 : Flash Check2		Checking line connection of Flash Memory connected to CPU bus (complete check). Original data must be written back after test, so do not turn off power during test. Confirm that " Flash Check2 OK " is displayed on LCD. Check takes about 70 seconds.
70	070 : Wave ROM Check2		Full address check-sum testing for Wave ROM (complete check). Confirm that " Wave ROM Check OK " is displayed on LCD. Check takes about 120 seconds.
71	071 : Effect RAM Check2		Full address check-sum testing for EffectRAM (complete check). For ELS-01, confirm displays of " Effect Check TG1 OK " " Effect Check TG3 OK " and " Effect Check TG4 OK " on LCD. For ELS-01C, confirm displays of " Effect Check TG1 OK " " Effect Check TG3 OK " " Effect Check TG4 OK " and " Effect Check TG5 OK " on LCD. Check takes about 20 seconds.
72	072 : Ext. Wave ROM Check		* Checking when extension WAVE circuit board is mounted. Check Ext. Wave ROM. Read-write test of Flash memory connected to an extension socket. The purpose is to find incomplete soldering in the socket. Confirm that " Ext. Wave ROM Check OK " is displayed on LCD.
73	073 : FSV Sensor UK L Vertical	○	Test for factory inspection.
74	074 : FSV Sensor UK Horizontal	○	Test for factory inspection.
75	075 : FSV Sensor UK R Vertical	○	Test for factory inspection.
76	076 : FSV LK L Vertical	○	Test for factory inspection.
77	077 : FSV Sensor LK Horizontal	○	Test for factory inspection.
78	078 : FSV Sensor LK R Vertical	○	Test for factory inspection.
79	079 : FSV Relative UK L Vertical	○	Test for factory inspection.
80	080 : FSV Relative UK Horizontal	○	Test for factory inspection.
81	081 : FSV Relative UK R Vertical	○	Test for factory inspection.
82	082 : FSV Relative LK L Vertical	○	Test for factory inspection.
83	083 : FSV Relative LK Horizontal	○	Test for factory inspection.
84	084 : FSV Relative LK R Vertical	○	Test for factory inspection.
85	085 : FSV UK VA aft	○	Test for factory inspection.
86	086 : FSV UK&LK HORIZ	○	Test for factory inspection.
87	087 : FSV velo / AWM aft	○	Test for factory inspection.
88	088 : Factory Set		If you execute the Factory Set, data on Internet settings and LCD calibration may be lost. At the next time of turning on power, data are set to Flash ROM to be in factory default. Here, a flag for initialization is set (only when necessary). Execution is made next time of turning on power.
89	089 : Test Exit		Restarting instrument.

Switch Test Sequence

Turn	SW Name/Display	LED made to turn on	Note number	Turn	SW Name/Display	LED made to turn on	Note number
1	REVERB 7	REVERB 7	C2	53	UK V2 BRILLIANCE 7	UK V2 BRILLIANCE 7	D#2
2	REVERB 6	REVERB 6	C#2	54	UK V2 BRILLIANCE 6	UK V2 BRILLIANCE 6	E2
3	REVERB 5	REVERB 5	D2	55	UK V2 BRILLIANCE 5	UK V2 BRILLIANCE 5	F2
4	REVERB 4	REVERB 4	D#2	56	UK V2 BRILLIANCE 4	UK V2 BRILLIANCE 4	F#2
5	REVERB 3	REVERB 3	E2	57	UK V2 BRILLIANCE 3	UK V2 BRILLIANCE 3	G2
6	REVERB 2	REVERB 2	F2	58	UK V2 BRILLIANCE 2	UK V2 BRILLIANCE 2	G#2
7	REVERB 1	REVERB 1	F#2	59	UK V2 BRILLIANCE 1	UK V2 BRILLIANCE 1	A2
8	SUSTAIN UPPER	SUSTAIN UPPER	G2	60	UK V2 VOLUME 7	UK V2 VOLUME 7	A#2
9	SUSTAIN LOWER	SUSTAIN LOWER	G#2	61	UK V2 VOLUME 6	UK V2 VOLUME 6	B2
10	SUSTAIN PEDAL	SUSTAIN PEDAL	A2	62	UK V2 VOLUME 5	UK V2 VOLUME 5	C3
11	UK V1 STRINGS	UK V1 STRINGS	A#2	63	UK V2 VOLUME 4	UK V2 VOLUME 4	C#3
12	UK V1 BRASS	UK V1 BRASS	B2	64	UK V2 VOLUME 3	UK V2 VOLUME 3	D3
13	UK V1 WOODWIND	UK V1 WOODWIND	C3	65	UK V2 VOLUME 2	UK V2 VOLUME 2	D#3
14	UK V1 TUTTI	UK V1 TUTTI	C#3	66	UK V2 VOLUME 1	UK V2 VOLUME 1	E3
15	UK V1 PAD	UK V1 PAD	D3	67	LK V1 STRINGS	LK V1 STRINGS	F3
16	UK V1 SYNTH	UK V1 SYNTH	D#3	68	LK V1 BRASS	LK V1 BRASS	F#3
17	UK V1 VOICE 1	UK V1 VOICE 1	E3	69	LK V1 WOODWIND	LK V1 WOODWIND	G3
18	UK V1 PIANO	UK V1 PIANO	F3	70	LK V1 TUTTI	LK V1 TUTTI	G#3
19	UK V1 ORGAN	UK V1 ORGAN	F#3	71	LK V1 PAD	LK V1 PAD	A3
20	UK V1 PERCUSSION	UK V1 PERCUSSION	G3	72	LK V1 SYNTH	LK V1 SYNTH	A#3
21	UK V1 GUITAR	UK V1 GUITAR	G#3	73	LK V1 VOICE 1	LK V1 VOICE 1	B3
22	UK V1 CHOIR	UK V1 CHOIR	A3	74	LK V1 PIANO	LK V1 PIANO	C4
23	UK V1 WORLD	UK V1 WORLD	A#3	75	LK V1 ORGAN	LK V1 ORGAN	C#4
24	UK V1 VOICE2	UK V1 VOICE2	B3	76	LK V1 PERCUSSION	LK V1 PERCUSSION	D4
25	UK V1 BRILLIANCE 7	UK V1 BRILLIANCE 7	C4	77	LK V1 GUITAR	LK V1 GUITAR	D#4
26	UK V1 BRILLIANCE 6	UK V1 BRILLIANCE 6	C#4	78	LK V1 CHOIR	LK V1 CHOIR	E4
27	UK V1 BRILLIANCE 5	UK V1 BRILLIANCE 5	D4	79	LK V1 WORLD	LK V1 WORLD	F4
28	UK V1 BRILLIANCE 4	UK V1 BRILLIANCE 4	D#4	80	LK V1 VOICE2	LK V1 VOICE2	F#4
29	UK V1 BRILLIANCE 3	UK V1 BRILLIANCE 3	E4	81	LK V1 BRILLIANCE 7	LK V1 BRILLIANCE 7	G4
30	UK V1 BRILLIANCE 2	UK V1 BRILLIANCE 2	F4	82	LK V1 BRILLIANCE 6	LK V1 BRILLIANCE 6	G#4
31	UK V1 BRILLIANCE 1	UK V1 BRILLIANCE 1	F#4	83	LK V1 BRILLIANCE 5	LK V1 BRILLIANCE 5	A4
32	UK V1 VOLUME 7	UK V1 VOLUME 7	G4	84	LK V1 BRILLIANCE 4	LK V1 BRILLIANCE 4	A#4
33	UK V1 VOLUME 6	UK V1 VOLUME 6	G#4	85	LK V1 BRILLIANCE 3	LK V1 BRILLIANCE 3	B4
34	UK V1 VOLUME 5	UK V1 VOLUME 5	A4	86	LK V1 BRILLIANCE 2	LK V1 BRILLIANCE 2	C5
35	UK V1 VOLUME 4	UK V1 VOLUME 4	A#4	87	LK V1 BRILLIANCE 1	LK V1 BRILLIANCE 1	C#5
36	UK V1 VOLUME 3	UK V1 VOLUME 3	B4	88	LK V1 VOLUME 7	LK V1 VOLUME 7	D5
37	UK V1 VOLUME 2	UK V1 VOLUME 2	C5	89	LK V1 VOLUME 6	LK V1 VOLUME 6	D#5
38	UK V1 VOLUME 1	UK V1 VOLUME 1	C#5	90	LK V1 VOLUME 5	LK V1 VOLUME 5	E5
39	UK V2 STRINGS	UK V2 STRINGS	D5	91	LK V1 VOLUME 4	LK V1 VOLUME 4	F5
40	UK V2 BRASS	UK V2 BRASS	D#5	92	LK V1 VOLUME 3	LK V1 VOLUME 3	F#5
41	UK V2 WOODWIND	UK V2 WOODWIND	E5	93	LK V1 VOLUME 2	LK V1 VOLUME 2	G5
42	UK V2 TUTTI	UK V2 TUTTI	F5	94	LK V1 VOLUME 1	LK V1 VOLUME 1	G#5
43	UK V2 PAD	UK V2 PAD	F#5	95	LK V2 STRINGS	LK V2 STRINGS	A5
44	UK V2 SYNTH	UK V2 SYNTH	G5	96	LK V2 BRASS	LK V2 BRASS	A#5
45	UK V2 VOICE 1	UK V2 VOICE 1	G#5	97	LK V2 WOODWIND	LK V2 WOODWIND	B5
46	UK V2 PIANO	UK V2 PIANO	A5	98	LK V2 TUTTI	LK V2 TUTTI	C6
47	UK V2 ORGAN	UK V2 ORGAN	A#5	99	LK V2 PAD	LK V2 PAD	C2
48	UK V2 PERCUSSION	UK V2 PERCUSSION	B5	100	LK V2 SYNTH	LK V2 SYNTH	C#2
49	UK V2 GUITAR	UK V2 GUITAR	C6	101	LK V2 VOICE 1	LK V2 VOICE 1	D2
50	UK V2 CHOIR	UK V2 CHOIR	C2	102	LK V2 PIANO	LK V2 PIANO	D#2
51	UK V2 WORLD	UK V2 WORLD	C#2	103	LK V2 ORGAN	LK V2 ORGAN	E2
52	UK V2 VOICE2	UK V2 VOICE2	D2	104	LK V2 PERCUSSION	LK V2 PERCUSSION	F2

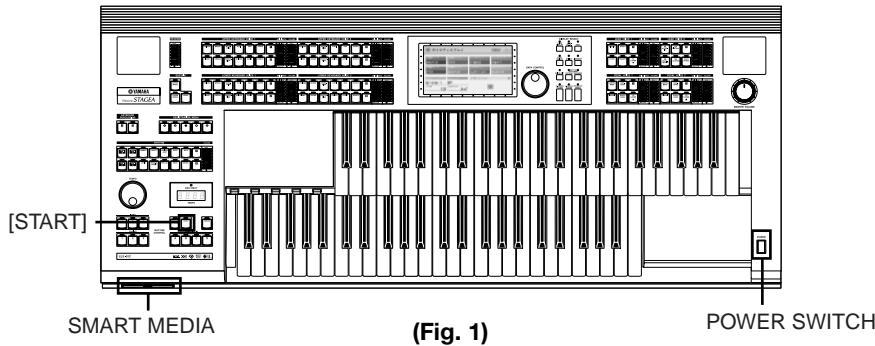
Turn	SW Name/Display	LED made to turn on	Note number	Turn	SW Name/Display	LED made to turn on	Note number
105	LK V2 GUITAR	LK V2 GUITAR	F#2	157	LEAD V2 VOICE 1	LEAD V2 VOICE 1	A2
106	LK V2 CHOIR	LK V2 CHOIR	G2	158	LEAD V2 VA ELEC.	LEAD V2 VA ELEC.	A#2
107	LK V2 WORLD	LK V2 WORLD	G#2	159	LEAD V2 VA CUSTOM	LEAD V2 VA CUSTOM	B2
108	LK V2 VOICE2	LK V2 VOICE2	A2	160	LEAD V2 SOLO(KNEE)	LEAD V2 SOLO(KNEE)	C3
109	LK V2 BRILLIANCE 7	LK V2 BRILLIANCE 7	A#2	161	LEAD V2 BRILLIANCE 7	LEAD V2 BRILLIANCE 7	C#3
110	LK V2 BRILLIANCE 6	LK V2 BRILLIANCE 6	B2	162	LEAD V2 BRILLIANCE 6	LEAD V2 BRILLIANCE 6	D3
111	LK V2 BRILLIANCE 5	LK V2 BRILLIANCE 5	C3	163	LEAD V2 BRILLIANCE 5	LEAD V2 BRILLIANCE 5	D#3
112	LK V2 BRILLIANCE 4	LK V2 BRILLIANCE 4	C#3	164	LEAD V2 BRILLIANCE 4	LEAD V2 BRILLIANCE 4	E3
113	LK V2 BRILLIANCE 3	LK V2 BRILLIANCE 3	D3	165	LEAD V2 BRILLIANCE 3	LEAD V2 BRILLIANCE 3	F3
114	LK V2 BRILLIANCE 2	LK V2 BRILLIANCE 2	D#3	166	LEAD V2 BRILLIANCE 2	LEAD V2 BRILLIANCE 2	F#3
115	LK V2 BRILLIANCE 1	LK V2 BRILLIANCE 1	E3	167	LEAD V2 BRILLIANCE 1	LEAD V2 BRILLIANCE 1	G3
116	LK V2 VOLUME 7	LK V2 VOLUME 7	F3	168	LEAD V2 VOLUME 7	LEAD V2 VOLUME 7	G#3
117	LK V2 VOLUME 6	LK V2 VOLUME 6	F#3	169	LEAD V2 VOLUME 6	LEAD V2 VOLUME 6	A3
118	LK V2 VOLUME 5	LK V2 VOLUME 5	G3	170	LEAD V2 VOLUME 5	LEAD V2 VOLUME 5	A#3
119	LK V2 VOLUME 4	LK V2 VOLUME 4	G#3	171	LEAD V2 VOLUME 4	LEAD V2 VOLUME 4	B3
120	LK V2 VOLUME 3	LK V2 VOLUME 3	A3	172	LEAD V2 VOLUME 3	LEAD V2 VOLUME 3	C4
121	LK V2 VOLUME 2	LK V2 VOLUME 2	A#3	173	LEAD V2 VOLUME 2	LEAD V2 VOLUME 2	C#4
122	LK V2 VOLUME 1	LK V2 VOLUME 1	B3	174	LEAD V2 VOLUME 1	LEAD V2 VOLUME 1	D4
123	VOICE DISPLAY	VOICE DISPLAY	C4	175	PEDAL V1 CONT. BASS	PEDAL V1 CONT. BASS	D#4
124	A.B.C. M.O.C	A.B.C. M.O.C	C#4	176	PEDAL V1 ELEC.BASS	PEDAL V1 ELEC.BASS	E4
125	MDR	MDR	D4	177	PEDAL V1 VOICE 1	PEDAL V1 VOICE 1	F4
126	FOOT SWITCH	FOOT SWITCH	D#4	178	PEDAL V1 TIMPANI	PEDAL V1 TIMPANI	F#4
127	UTILITY	UTILITY	E4	179	PEDAL V1 SYN.BASS	PEDAL V1 SYN.BASS	G4
128	INTERNET	INTERNET	F4	180	PEDAL V1 TO LOWER	PEDAL V1 TO LOWER	G#4
129	VOICE EDIT	VOICE EDIT	F#4	181	PEDAL V1 BRILLIANCE 7	PEDAL V1 RILLIANCE 7	A4
130	RHYTHM PATTERN	RHYTHM PATTERN	G4	182	PEDAL V1 BRILLIANCE 6	PEDAL V1 RILLIANCE 6	A#4
131	PROG. SEQUENCE	PROG. SEQUENCE	G#4	183	PEDAL V1 BRILLIANCE 5	PEDAL V1 RILLIANCE 5	B4
132	U.ORGAN FLUTE	U.ORGAN FLUTE	A4	184	PEDAL V1 BRILLIANCE 4	PEDAL V1 RILLIANCE 4	C5
133	L.ORGAN FLUTE	L.ORGAN FLUTE	A#4	185	PEDAL V1 BRILLIANCE 3	PEDAL V1 RILLIANCE 3	C#5
134	ROTALY SP SPEED	ROTALY SP SPEED	B4	186	PEDAL V1 BRILLIANCE 2	PEDAL V1 RILLIANCE 2	D5
135	LEAD V1 VIOLIN	LEAD V1 VIOLIN	C5	187	PEDAL V1 BRILLIANCE 1	PEDAL V1 RILLIANCE 1	D#5
136	LEAD V1 SYNTH	LEAD V1 SYNTH	C#5	188	PEDAL V1 VOLUME 7	PEDAL V1 VOLUME 7	E5
137	LEAD V1 VOICE 1	LEAD V1 VOICE 1	D5	189	PEDAL V1 VOLUME 6	PEDAL V1 VOLUME 6	F5
138	LEAD V1 FLUTE	LEAD V1 FLUTE	D#5	190	PEDAL V1 VOLUME 5	PEDAL V1 VOLUME 5	F#5
139	LEAD V1 TRUMPET	LEAD V1 TRUMPET	E5	191	PEDAL V1 VOLUME 4	PEDAL V1 VOLUME 4	G5
140	LEAD V1 TO LOWER	LEAD V1 TO LOWER	F5	192	PEDAL V1 VOLUME 3	PEDAL V1 VOLUME 3	G#5
141	LEAD V1 BRILLIANCE 7	LEAD V1 BRILLIANCE 7	F#5	193	PEDAL V1 VOLUME 2	PEDAL V1 VOLUME 2	A5
142	LEAD V1 BRILLIANCE 6	LEAD V1 BRILLIANCE 6	G5	194	PEDAL V1 VOLUME 1	PEDAL V1 VOLUME 1	A#5
143	LEAD V1 BRILLIANCE 5	LEAD V1 BRILLIANCE 5	G#5	195	PEDAL V2 CONT.BASS	PEDAL V2 ONT.BASS	B5
144	LEAD V1 BRILLIANCE 4	LEAD V1 BRILLIANCE 4	A5	196	PEDAL V2 ELEC.BASS	PEDAL V2 ELEC.BASS	C6
145	LEAD V1 BRILLIANCE 3	LEAD V1 BRILLIANCE 3	A#5	197	PEDAL V2 VOICE 1	PEDAL V2 VOICE 1	C2
146	LEAD V1 BRILLIANCE 2	LEAD V1 BRILLIANCE 2	B5	198	PEDAL V2 TIMPANI	PEDAL V2 TIMPANI	C#2
147	LEAD V1 BRILLIANCE 1	LEAD V1 BRILLIANCE 1	C6	199	PEDAL V2 SYN.BASS	PEDAL V2 SYN.BASS	D2
148	LEAD V1 VOLUME 7	LEAD V1 VOLUME 7	C2	200	PEDAL V2 TO LOWER	PEDAL V2 TO LOWER	D#2
149	LEAD V1 VOLUME 6	LEAD V1 VOLUME 6	C#2	201	PEDAL V2 BRILLIANCE 7	PEDAL V2 BRILLIANCE 7	E2
150	LEAD V1 VOLUME 5	LEAD V1 VOLUME 5	D2	202	PEDAL V2 BRILLIANCE 6	PEDAL V2 BRILLIANCE 6	F2
151	LEAD V1 VOLUME 4	LEAD V1 VOLUME 4	D#2	203	PEDAL V2 BRILLIANCE 5	PEDAL V2 BRILLIANCE 5	F#2
152	LEAD V1 VOLUME 3	LEAD V1 VOLUME 3	E2	204	PEDAL V2 BRILLIANCE 4	PEDAL V2 BRILLIANCE 4	G2
153	LEAD V1 VOLUME 2	LEAD V1 VOLUME 2	F2	205	PEDAL V2 BRILLIANCE 3	PEDAL V2 BRILLIANCE 3	G#2
154	LEAD V1 VOLUME 1	LEAD V1 VOLUME 1	F#2	206	PEDAL V2 BRILLIANCE 2	PEDAL V2 BRILLIANCE 2	A2
155	LEAD V2 VA ACCOUS.	LEAD V2 VA ACCOUS.	G2	207	PEDAL V2 BRILLIANCE 1	PEDAL V2 BRILLIANCE 1	A#2
156	LEAD V2 VA VIRTUAL	LEAD V2 VA VIRTUAL	G#2	208	PEDAL V2 VOLUME 7	PEDAL V2 VOLUME 7	B2

Turn	SW Name/Display	LED made to turn on	Note number	Turn	SW Name/Display	LED made to turn on	Note number
209	PEDAL V2 VOLUME 6	PEDAL V2 VOLUME 6	C3	261	REGIST 15	REGIST 15	D#3
210	PEDAL V2 VOLUME 5	PEDAL V2 VOLUME 5	C#3	262	REGIST 16	REGIST 16	E3
211	PEDAL V2 VOLUME 4	PEDAL V2 VOLUME 4	D3	263	REGIST 1	REGIST 1	F3
212	PEDAL V2 VOLUME 3	PEDAL V2 VOLUME 3	D#3	264	REGIST 2	REGIST 2	F#3
213	PEDAL V2 VOLUME 2	PEDAL V2 VOLUME 2	E3	265	REGIST 3	REGIST 3	G3
214	PEDAL V2 VOLUME 1	PEDAL V2 VOLUME 1	F3	266	REGIST 4	REGIST 4	G#3
215	K.B.P.1	K.B.P.1	F#3	267	REGIST 5	REGIST 5	A3
216	K.B.P.2	K.B.P.2	G3	268	REGIST 6	REGIST 6	A#3
217	BASIC REG.1	BASIC REG.1	G#3	269	REGIST 7	REGIST 7	B3
218	BASIC REG.2	BASIC REG.2	A3	270	REGIST 8	REGIST 8	C4
219	BASIC REG.3	BASIC REG.3	A#3	271	REGIST 9	REGIST 9	C#4
220	BASIC REG.4	BASIC REG.4	B3	272	REGIST 10	REGIST 10	D4
221	BASIC REG.5	BASIC REG.5	C4	273	REGIST 11	REGIST 11	D#4
222	STYLE SEQ.1	STYLE SEQ.1	C#4	274	REGIST 12	REGIST 12	E4
223	STYLE SEQ.2	STYLE SEQ.2	D4	275	REGIST D	REGIST D	F4
224	MARCH	MARCH	D#4				
225	WALTZ	WALTZ	E4				
226	SWING & JAZZ	SWING & JAZZ	F4				
227	POPS	POPS	F#4				
228	R&B	R&B	G4				
229	STYLE 1	STYLE 1	G#4				
230	STYLE SEQ.3	STYLE SEQ.3	A4				
231	STYLE SEQ.4	STYLE SEQ.4	A#4				
232	LATIN	LATIN	B4				
233	WORLD MUSIC	WORLD MUSIC	C5				
234	BALLAD	BALLAD	C#5				
235	ROCK	ROCK	D5				
236	DANCE	DANCE	D#5				
237	STYLE 2	STYLE 2	E5				
238	STYLE VOLUME 7	STYLE VOLUME 7	F5				
239	STYLE VOLUME 6	STYLE VOLUME 6	F#5				
240	STYLE VOLUME 5	STYLE VOLUME 5	G5				
241	STYLE VOLUME 4	STYLE VOLUME 4	G#5				
242	STYLE VOLUME 3	STYLE VOLUME 3	A5				
243	STYLE VOLUME 2	STYLE VOLUME 2	A#5				
244	STYLE VOLUME 1	STYLE VOLUME 1	B5				
245	INTRO 1	INTRO 1	C6				
246	INTRO 2	INTRO 2	C2				
247	INTRO 3	INTRO 3	C#2				
248	ENDING 1	ENDING 1	D2				
249	ENDING 2	ENDING 2	D#2				
250	ENDING 3	ENDING 3	E2				
251	SYNCRO START	SYNCRO START	F2				
252	START	START	F#2				
253	BREAK	BREAK	G2				
254	MAIN A	MAIN A	G#2				
255	MAIN B	MAIN B	A2				
256	MAIN C	MAIN C	A#2				
257	MAIN D	MAIN D	B2				
258	REGIST M	REGIST M	C3				
259	REGIST 13	REGIST 13	C#3				
260	REGIST 14	REGIST 14	D3				

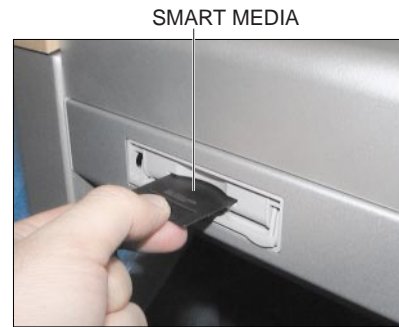
VERSION UPGRADE

1. Insert the Smart Media card storing new data into the main unit as shown in Photo. 1, hold the [START] button, and turn on the POWER switch. (Fig. 1, Photo. 1)

*** Make sure to insert the Smart Media card first, then turn on power.**

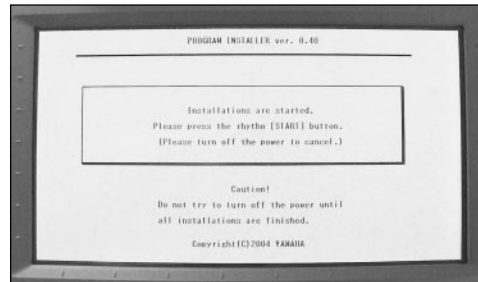


(Fig. 1)



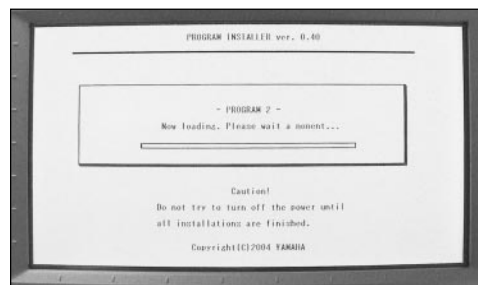
(Photo. 1)

2. Pressing the rhythm [START] button starts the installation. (Photo. 2)



(Photo. 2)

*** Do not turn off power or pull out the Smart Media card during the installation. (Photo. 3)**



(Photo. 3)

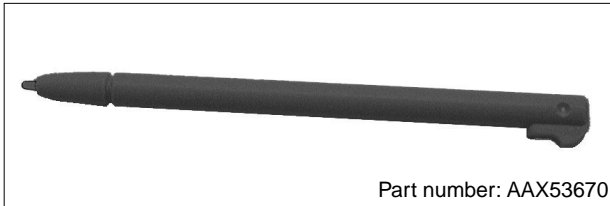
3. After the installation is completed, turn off the POWER switch and pull out the Smart Media card, then turn on power again. (Photo. 4)



(Photo. 4)

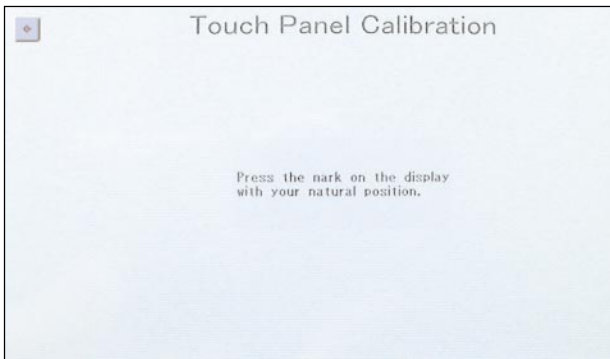
TOUCH PANEL CALIBRATION

● Touch Pen



1. Startup

While pressing the [INTRO1] button and the [INTRO2] button together, turn on the POWER switch. The calibration setup screen appears.



2. Press the center of the button displayed in the upper left corner with the touch pen.



If the pressed point is correct, then the screen of the Step 3 appears.
 If the pressed point is incorrect, then the following message appears:
 "Settings are incorrect. Please try it again."
 Then, go back to the Step 2.

3. Press the center of the button displayed in the lower left corner with the touch pen.



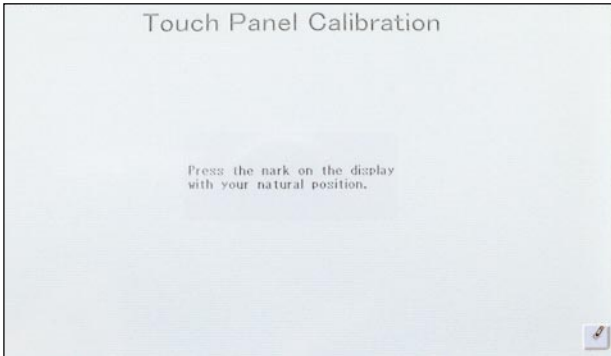
If the pressed point is correct, then the screen of the Step 4 appears.
 If the pressed point is incorrect, then the following message appears:
 "Settings are incorrect. Please try it again."
 Then, go back to the Step 2.

4. Press the center of the button displayed in the upper right corner with the touch pen.



If the pressed point is correct, then the screen of the Step 5 appears.
 If the pressed point is incorrect, then the following message appears:
 "Settings are incorrect. Please try it again."
 Then, go back to the Step 2.

5. Press the center of the button displayed in the lower right corner with the touch pen.

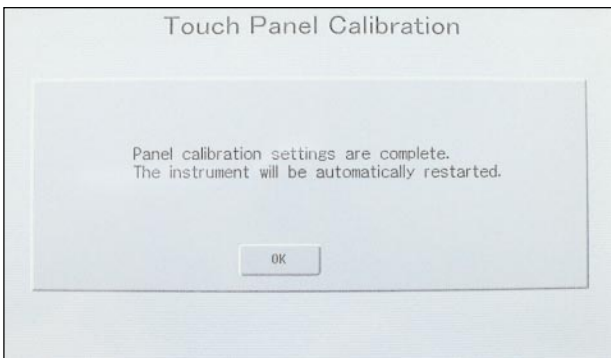


If the pressed point is correct, then follow the Step 6.
 If the pressed point is incorrect, then the following message appears:
 "Settings are incorrect. Please try it again."
 Then, go back to the Step 2.

6. Data Save

During the writing of the calibration data into flash memory, the following message appears:
 Saving data. Do not turn off power.

1) When the saving is normally finished, the following message appears:



Press "OK" to restart the system.
 After the restart, check the calibration as described in the Step 7.

2) If the saving fails, then the following message appears:
 Failure to write into flash memory.
 An error occurs in writing to the flash ROM.
 There is a failure in the main system.

7. Checking calibration.

The calibration is successful if the system responds when the corners 1 through 4 are pressed with the touch pen.

If the system does not respond, start the calibration all over again.



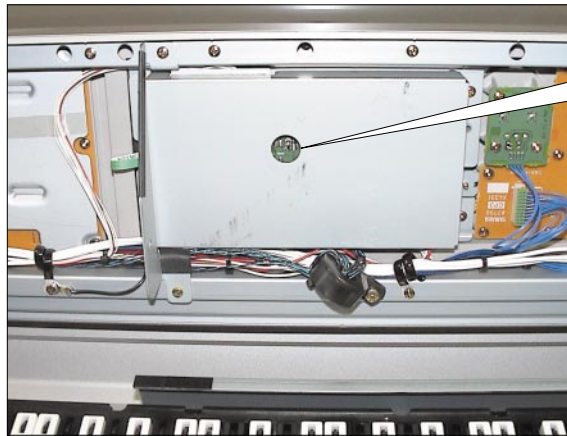
■ FLICKER ADJUSTMENT (LCD)

Adjusting flicker (screen flickering).

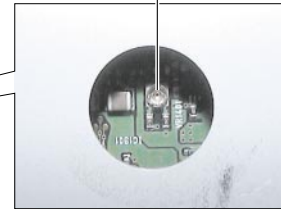
Using a test program, test No. 37 "LCD Pattern Check" (see page 106) to display a flicker noise check pattern, adjust the volume VR1401 locating about the center of the Y65-VGA circuit board in the LCD assembly to minimize the flicker.

*** To adjust the volume, use a ceramic screwdriver.**

• LCD Assembly



VR1401



• The method of adjustment

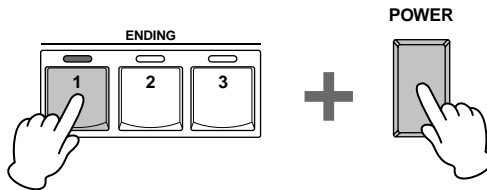


Ceramic screwdriver

■ FACTORY SET (INITIALIZING THE ELECTONE)

All current settings including Registration Memory, User Voices, User Rhythms, and LCD Display settings can be deleted at once by the following procedure. Be careful when executing Factory Set, since it erases all your existing data. Always save your important data to external media, such as a SmartMedia card. Factory Set does not reset the Internet Direct Connection settings. If you want to reset the Internet Direct Connection settings.

- 1 Turn off the power.
- 2 While holding down the ENDING [1] button, turn the power back on.



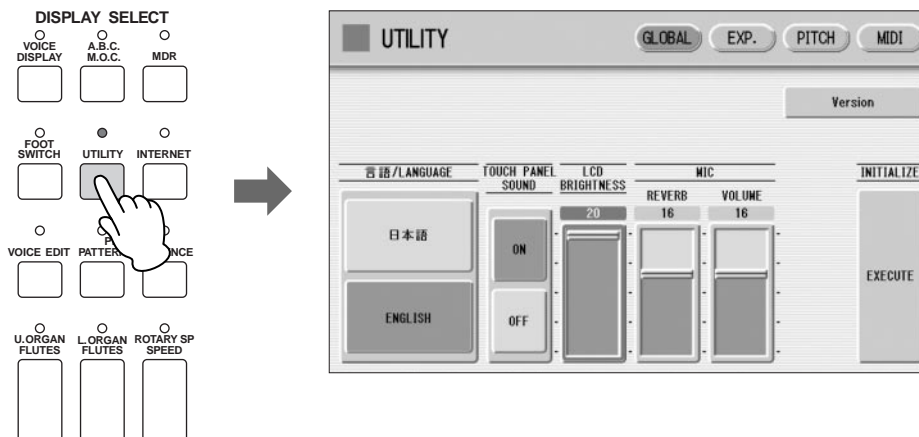
- 3 Release the ENDING [1] button after Voice Display appears.

If you don't want to reset the LCD Display settings, you can initialize only Registration settings.

■ INITIALIZING REGISTRATION MEMORY

Deleting all Registration data in Registration Memory initializes the Registration Memory. Be careful when using this operation, since it erases all your existing data. In order to avoid inadvertently losing your important data, save it to an external storage device.

- 1 Press the [UTILITY] button on the panel to call up the GLOBAL Page in the Utility display.

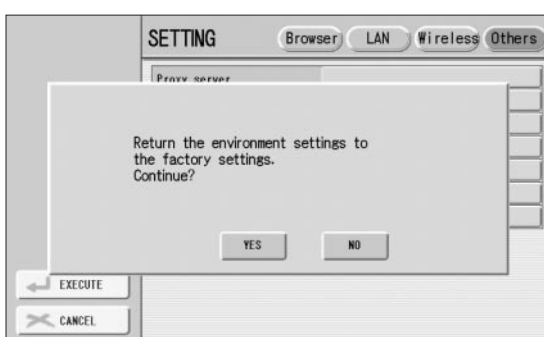


- 2 Press the INITIALIZE [EXECUTE] button on the right side in the display. The message "Are you sure you want to initialize Registration data?" appears. Press [INITIALIZE] to actually initialize the data. When the operation is complete, the Electone will be restarted. Press [CANCEL] to cancel the operation.

INITIALIZING INTERNET SETTINGS

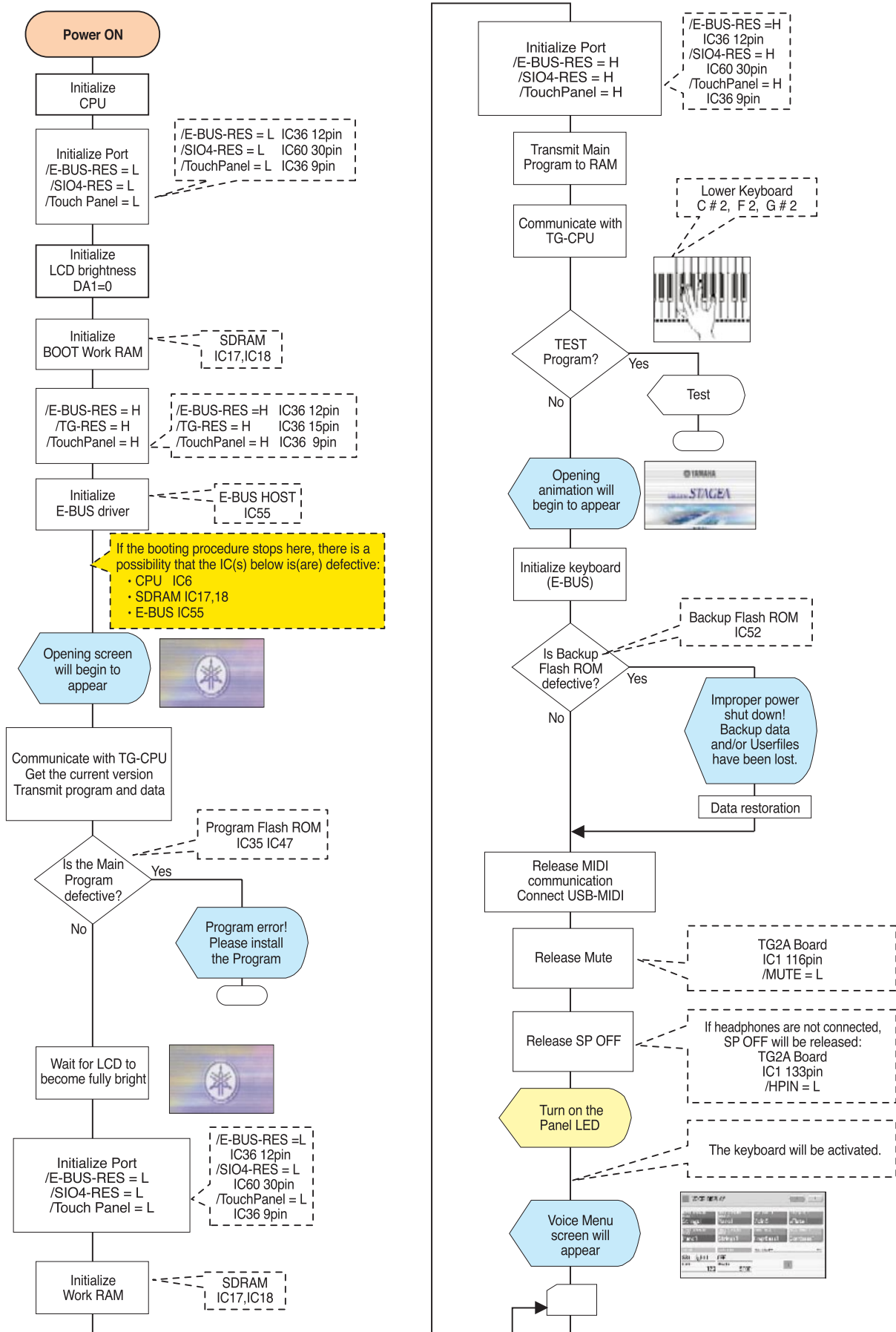
The settings of the Internet function are not initialized when using the Initialize operation of the Electone; Internet settings must be initialized separately, as explained here. Initializing will reset to the default values not only the settings of the browser, but also all settings you have made in the Internet Settings displays, including those related to Internet connection.

- 1 Press the [SETTING] button in the control menu to call up the Internet Settings display.
- 2 Press the [Others] button at the top right of the display.
- 3 Press the [Initialize] button to initialize the Internet settings.
A message appears, prompting confirmation of the operation.



- 4 Select [YES] to initialize the Internet settings, or select [NO] to abort the operation.

SYSTEM BOOTING FLOWCHART



YAMAHA [Electone-EL mode] / Model: ELS-01C/ELS-01

Function		Transmitted	Recognized	Remarks
Basic Channel	Default Changed	1, 2, 3, 16 (*1) 1-16	1-3, 5-16 (*2) 4	
Mode	Default Messages Altered	Mode 3 X *****	Mode 3 X X	
Note Number	:True Voice	36-96 (*3) *****	0-127 (*4)	
Velocity	Note on Note off	○ 9nH, v=1-127 X 9nH, v=0	○ 9nH, v=1-127 X 9nH, v=0 or 8nH	
After Touch	Key's Ch's	X ○	○(*6) ○	
Pitch Bend		○(*5)	○	
Control Change	0, 32 1, 5, 7, 10 4 6, 38 11 16 96, 97 64-67 71-78 84, 91, 93, 94 98-99, 100-101	X X ○(*7, *12) X ○(*7) ○(*8, *12) X X X X X X	○(*6) ○(*6) ○(*7) ○(*6) ○(*6, 7) ○(*8, *12) ○(*6) ○(*6) ○(*6) ○(*6) ○(*6) ○(*6)	Bank Select 2nd Expression Data Entry Expression VA After Touch Data Entry SW Sound Controller NRPN, RPN
Program Change	:True number	○(*10) *****	○(*11)	
System Exclusive		○	○	
System Common	:Song Position :Song Select :Tune	X X X	X X X	
System Real Time	:Clock :Commands	○ ○	○(*9) ○	(FAH, FCH)
Aux Messages	:All Sound Off :Reset All Cntrls :Local On/Off :All Notes Off :Active Sense :Reset	X X X X ○ X	○ (120)(*6) ○ (121)(*6) X ○ (123-127)(*6) ○ X	
Notes		*1: 1ch: UK, 2ch: LK, 3ch: PEDAL, 16ch: CONTROL *2: 1ch: UK, 2ch: LK, 3ch: PEDAL, 4ch: LEAD1, 5-14ch: XG, 15ch: KEYBOARD PERCUSSION, 16ch: CONTROL *3: UK: 36-96, LK: 36-96, PEDAL: 36-60 *4: UK, LK, PEDAL, LEAD1: 36-96, XG: 0-127, PERCUSSION: 3-127 *5: UK: UK HorizontalTouch, LK: LK HorizontalTouch *6: XG only *7: CONTROL only *8: UK only *9: External Mode only *10: CONTROL: 0-15 *11: UK, LK, PEDAL, CONTROL: 0-15 XG: 0-127 *12: ELS-01C only		

Mode 1 : OMNI ON, POLY
Mode 3 : OMNI OFF, POLY

Mode 2 : OMNI ON, MONO
Mode 4 : OMNI OFF, MONO

○: Yes
X: No

Function		Transmitted (*1)	Recognized	Remarks
Basic Channel	Default Changed	1, 2, 3, 16 1-16	1-16 1-16	
Mode	Default Messages Altered	Mode3 X *****	Mode 3 X X	
Note Number	:True Voice	36-96 *****	0-127	
Velocity	Note on Note off	○ 9nH, v=1-127 X 9nH, v=0	○ 9nH, v=1-127 X 9nH, v=0 or 8nH	
After Touch	Key's Ch's	X ○	○ ○	
Pitch Bend		○	○	
Control Change	0, 32 1, 5, 7, 10 4 6, 38 11 16 96, 97 64-67 71-78 84, 91, 93, 94 98-99, 100-101	X X ○(*2) X ○ ○(*2) X X X X X X	○ ○ X ○ ○ X ○ ○ ○ ○ ○ ○	Bank Select 2nd Expression Data Entry Expression VA After Touch Data Entry SW Sound Controller NRPN, RPN
Program Change	:True number	○ 0-15 *****	○	
System Exclusive		○	○	
System Common	:Song Position :Song Select :Tune	X X X	X X X	
System Real Time	:Clock :Commands	○ ○	X X	
Aux Messages	:All Sound Off :Reset All Cntrls :Local On/Off :All Notes Off :Active Sense :Reset	X X X X ○ X	○ (120) ○ (121) X ○ (123-127) ○ X	
Notes		*1; Same as that in the EL mode *2; ELS-01C only		

MIDI DATA FORMAT

1. Channel Messages

1.1 EL Mode

“X” indicates “Not available.”
“O” indicates “Available.”

Code (Hexadecimal)	Function	Receive	Transmit	Remarks
8n, nn, 00-7F	Note Off	1ch 2ch 3ch (4ch)* 5-14ch 15ch	× × × × × ×	UK LK PEDAL LEAD 1 XG Keyboard Percussion
9n, nn, 00 9n, nn, 01-7F	Note Off Note On	1ch 2ch 3ch (4ch)* 5-14ch 15ch	(1ch)* (2ch)* (3ch)* × × ×	UK LK PEDAL LEAD 1 XG Keyboard Percussion
An, nn, 00-7F	Polyphonic After Touch	5-14ch	×	XG
Bn, 00, 00-7F Bn, 20, 00-7F	Bank select	5-14ch	×	XG
Bn, 01, 00-7F	Modulation	5-14ch	×	XG
Bn, 04, 00-7F	2nd Expression	16ch (4ch)*	16ch (4ch)**	Control LEAD 1 (ELS-01 not transmit)
Bn, 05, 00-7F	Portamento Time	5-14ch	×	XG
Bn, 06, 00-7F Bn, 26, 00-7F	Data Entry	5-14ch	×	XG
Bn, 07, 00-7F	Volume	5-14ch	×	XG
Bn, 0A, 00-7F	Pan	5-14ch	×	XG
Bn, 0B, 00-7F	Expression	16ch 5-14ch	16ch	Control XG
Bn,10, 00-7F	VA After Touch	1ch	(1ch)*	UK (ELS-01C only)
Bn, 40, 00-7F	Hold	5-14ch	×	XG
Bn, 41, 00-7F	Portamento	5-14ch	×	XG
Bn, 42, 00-7F	Sostenuto	5-14ch	×	XG
Bn, 43, 00-7F	Soft Pedal	5-14ch	×	XG
Bn, 47, 00-7F	Resonance	5-14ch	×	XG
Bn, 48, 00-7F	Release Time	5-14ch	×	XG
Bn, 49, 00-7F	Attack Time	5-14ch	×	XG
Bn, 4A, 00-7F	Brightness	5-14ch	×	XG
Bn, 4B, 00-7F	Decay Time	5-14ch	×	XG
Bn, 4C, 00-7F	Vibrato Rate	5-14ch	×	XG
Bn, 4D, 00-7F	Vibrato Depth	5-14ch	×	XG
Bn, 4E, 00-7F	Vibrato Delay	5-14ch	×	XG
Bn, 54, 00-7F	Portamento Control	5-14ch	×	XG
Bn, 5B, 00-7F	Reverb Send Level	5-14ch	×	XG
Bn, 5D, 00-7F	Chorus Send Level	5-14ch	×	XG
Bn, 5E, 00-7F	Variation Effect Send Level	5-14ch	×	XG
Bn, 60, 00-7F Bn, 61, 00-7F	Data Increment Data Decrement	5-14ch	×	XG
Bn, 62, 00-7F Bn, 63, 00-7F	NRPN LSB NRPN MSB	5-14ch	×	XG
Bn, 64, 00-7F Bn, 65, 00-7F	RPN LSB RPN MSB	5-14ch	×	XG

Code (Hexadecimal)	Function	Receive	Transmit	Remarks
Bn, 78, 00 Bn, 79, 00 Bn, 7B, 00 Bn, 7C, 00 Bn, 7D, 00 Bn, 7E, 00 Bn, 7F, 00	All Sound Off Reset All Controllers All Note Off Omni Off Omni On Mono Poly	5-14ch	×	XG
Cn, nn	Program Change	5-14ch 16ch	×	XG Control
Dn, 00-7F	After Touch	1ch 2ch 3ch (4ch)* 5-14ch	(1ch)* (2ch)* (3ch)*	UK LK PEDAL LEAD 1 XG
En, 00-7F, 00-7F	Pitch Bend	1ch 2ch (4ch)* 5-14ch	(1ch)* (2ch)* ×	UK LK LEAD 1 XG

* Can be changed in the MIDI settings.

** Can be output when assigned to channel 4.

1.2 XG Mode

Code (Hexadecimal)	Function	Receive	Transmit	Remarks
8n, nn, 00-7F	Note Off	1-16ch	×	
9n, nn, 00 9n, nn, 01-7F	Note On Note Off	1-16ch	(1ch)* (2ch)* (3ch)*	UK LK PEDAL
An, nn, 00-7F	Polyphonic After Touch	1-16ch	×	
Bn, 00, 00-7F Bn, 20, 00-7F	Bank select	1-16ch	×	
Bn, 01, 00-7F	Modulation	1-16ch	×	
Bn, 04, 00-7F	2nd Expression	×	16ch (4ch)**	Control LEAD 1 (ELS-01C only)
Bn, 05, 00-7F	Portamento Time	1-16ch	×	
Bn, 06, 00-7F Bn, 26, 00-7F	Data Entry	1-16ch	×	
Bn, 07, 00-7F	Volume	1-16ch	×	
Bn, 0A, 00-7F	Pan	1-16ch	×	
Bn, 0B, 00-7F	Expression	1-16ch	16ch	Control
Bn,10, 00-7F	VA After Touch	×	(1ch)*	UK (ELS-01C only)
Bn, 40, 00-7F	Hold	1-16ch	×	
Bn, 41, 00-7F	Portamento	1-16ch	×	
Bn, 42, 00-7F	Sostenuto	1-16ch	×	
Bn, 43, 00-7F	Soft Pedal	1-16ch	×	
Bn, 47, 00-7F	Resonance	1-16ch	×	
Bn, 48, 00-7F	Release Time	1-16ch	×	
Bn, 49, 00-7F	Attack Time	1-16ch	×	
Bn, 4A, 00-7F	Brightness	1-16ch	×	
Bn, 4B, 00-7F	Decay Time	1-16ch	×	
Bn, 4C, 00-7F	Vibrato Rate	1-16ch	×	
Bn, 4D, 00-7F	Vibrato Depth	1-16ch	×	
Bn, 4E, 00-7F	Vibrato Delay	1-16ch	×	

Code (Hexadecimal)	Function	Receive	Transmit	Remarks
Bn, 54, 00-7F	Portamento Control	1-16ch	×	
Bn, 5B, 00-7F	Reverb Send Level	1-16ch	×	
Bn, 5D, 00-7F	Chorus Send Level	1-16ch	×	
Bn, 5E, 00-7F	Variation Effect Send Level	1-16ch	×	
Bn, 60, 00-7F Bn, 61, 00-7F	Data Increment Data Decrement	1-16ch	×	
Bn, 62, 00-7F Bn, 63, 00-7F	NRPN LSB NRPN MSB	1-16ch	×	
Bn, 64, 00-7F Bn, 65, 00-7F	RPN LSB RPN MSB	1-16ch	×	
Bn, 78, 00 Bn, 79, 00 Bn, 7B, 00 Bn, 7C, 00 Bn, 7D, 00 Bn, 7E, 00 Bn, 7F, 00	All Sound Off Reset All Controllers All Note Off Omni Off Omni On Mono Poly	1-16ch	×	
Cn, 00-7F	Program Change	1-16ch	16ch	Control
Dn, 00-7F	After Touch	1-16ch	(1ch)* (2ch)* (3ch)*	UK LK PEDAL
En, 00-7F, 00-7F	Pitch Bend	1-16ch	(1ch)* (2ch)* ×	UK LK

* Can be changed in the MIDI settings.

** Can be output when assigned to channel 4.

2. Realtime Messages

Code (Hexadecimal)	Function	Receive	Transmit	Remarks
F8	Clock	○*	○	
FA	Start	○	○	
FC	Stop	○	○	
FE	Active Sensing	○	○	
FF	Reset	×	×	

* Received only when in the Ext. mode

3. System Exclusive Messages

3.1 Format

Universal Realtime Messages

Code (Hexadecimal)	Message	Receive	Transmit
F0, 7F, 7F, 04, 01, SS, TT, F7 XN	GM2 Master Volume	○	×
F0, 7F, 7F, 04, 03, SS, TT, F7 XN	GM2 Master Fine Tuning	○	×
F0, 7F, 7F, 04, 04, 00, TT, F7 XN	GM2 Master Coarse Tuning	○	×
F0, 7F, 7F, 04, 05, 01, 01, 01, 01, PP, VV, ..., F7 XN	GM2 Reverb Parameter	○	×
F0, 7F, 7F, 04, 05, 01, 01, 01, 01, 02, PP, VV, ..., F7 XN	GM2 Chorus Parameter	○	×

Code (Hexadecimal)	Message	Receive	Transmit
F0, 7F, 7F, 09, 01, 0n, PP, VV, ..., F7 XN	GM2 After Touch Parameter	○	×
F0, 7F, 7F, 09, 03, 0n, CC, PP, VV, ..., F7 XN	GM2 Control Change Parameter	○	×
F0, 7F, 7F, 0A, 01, 0n, KK, CC, PP, VV, ..., F7 XN	GM2 Key-Based Controller	○	×

Universal Non-Realtime Messages

Code (Hexadecimal)	Message	Receive	Transmit
F0, 7E, 7F, 09, 01, F7 XN	GM ON	○	×
F0, 7E, 7F, 09, 03, F7 XN	GM2 ON	○	×
F0, 7E, 7F, 09, 02, F7 XN	GM OFF	○	×
F0, 7E, 7F, 08, 08, JJ, GG, MM, ..data..., F7 XN	GM2 Scale/Octave Tuning	○	×

XG Native

Code (Hexadecimal)	Message	Receive	Transmit
F0, 43, 1N, 4C, AH, AM, AL, ..data..., F7	XG Parameter Change	○	×
F0, 43, 0N, 4C, BH, BL, AH, AM, AL, ..data..., cc, F7	XG Bulk Dump	○	×
F0, 43, 1N, 27, 30, 00, 00, MM, LL, cc, F7	XG Master Tuning	○	×

Clavinova Exclusive

Code (Hexadecimal)	Message	Receive	Transmit
F0, 43, 73, 01, 02, F7 03	Request for Internal Synch. Mode	○	×
	Request for External Synch. Mode	○	×

Electone Exclusive

Code (Hexadecimal)	Message	Receive	Transmit
F0, 43, 70, 70, 00, ..data..., F7 78 ID	Bulk Dump Data	○ ○ ○	× ○ ×
F0, 43, 70, ID, 00, F7	Model ID Data	×	○
F0, 43, 70, 70, 30, F7	Request-to-Send Model ID Data	○	×
F0, 43, 70, 70, 38, 7F, F7 00	Bulk Dump Acknowledge	×	×
	Bulk Dump Unacknowledge	×	○
F0, 43, 70, 70, 40, nn(*1), 7F, F7 00	Switch ON	○	○
	Switch OFF	○	○
F0, 43, 70, 70, 40, 50, TL, TH, F7	Tempo	○	○
F0, 43, 70, 78, 41, cc, dd, F7(*2)	Panel Switch Events	○	○
F0, 43, 70, 78, 42, 3C, ..data..., F7	Current Registration Data	○	○
F0, 43, 70, 78, 44, ..data..(*3), F7	MIDI Parameters	○	○
F0, 43, 70, 70, 70, nn(*4), F7	MDR	○	×
F0, 43, 70, 70, 73, F7	EL ON	○	×
F0, 43, 70, 70, 78, 00, 00, F7	Bar Signal	×	○

×: don't care N: Device Number ("0" on ELS-01C/ELS-01) ID: Model ID (ELS-01C=4DH, ELS-01=4EH)

*1. Switches

nn	Switch	Receive	Transmit
45H	Left Footswitch	○	○
47H	Knee Lever	○	○
48H	Fill In	○	×
4BH	Intro/Ending	○	×
4DH	Solo Bar	○	○

*2. Panel Switch Events

MIDI Exclusive Format
F0, 43, 70, 78, 41, cc, dd, F7

Selectors

cc Code	Switch	dd				Remarks
		Receive	Rx Range	Transmit	Tx Range	
0F	Registration Memory [1-16]	○	[00-0F]	×	-	

Volume

cc Code	Switch	dd				Remarks
		Receive	Rx Range	Transmit	Tx Range	
12	Upper Keyboard Voice 1 Volume	○	[00-7F]	○	[00-7F]	Volume Data 00:MAX, 7F:MIN
13	Lower Keyboard Voice 1 Volume	○	[00-7F]	○	[00-7F]	Volume Data 00:MAX, 7F:MIN
14	Upper Keyboard Voice 2 Volume	○	[00-7F]	○	[00-7F]	Volume Data 00:MAX, 7F:MIN
15	Lower Keyboard Voice 2 Volume	○	[00-7F]	○	[00-7F]	Volume Data 00:MAX, 7F:MIN
16	Lead Voice 1 Volume	○	[00-7F]	○	[00-7F]	Volume Data 00:MAX, 7F:MIN
17	Pedal Voice 1 Volume	○	[00-7F]	○	[00-7F]	Volume Data 00:MAX, 7F:MIN
18	Pedal Voice 2 Volume	○	[00-7F]	○	[00-7F]	Volume Data 00:MAX, 7F:MIN
19	Lead Voice 2 Volume	○	[00-7F]	○	[00-7F]	Volume Data 00:MAX, 7F:MIN
1A	Percussion Volume	○	[00-7F]	○	[00-7F]	Volume Data 00:MAX, 7F:MIN
1B	Reverb Depth	○	[00-7F]	○	[00-7F]	Depth Data 00:MAX, 7F:MIN

Organ Flute Voice

cc Code	Switch	dd				Remarks
		Receive	Rx Range	Transmit	Tx Range	
30	Upper Organ Flute Voice [U. ORGAN FLUTES]	○	[00-01]	○	[00-01]	00:OFF, 01:ON
31	Lower Organ Flute Voice [L. ORGAN FLUTES]	○	[00-01]	○	[00-01]	00:OFF, 01:ON

To Lower

cc Code	Switch	dd				Remarks
		Receive	Rx Range	Transmit	Tx Range	
36	Lead Voice 1 To Lower [TO LOWER ▼]	○	[00-01]	○	[00-01]	00:OFF, 01:ON
37	Pedal Voice 1 To Lower [TO LOWER ▲]	○	[00-01]	○	[00-01]	00:OFF, 01:ON
38	Pedal Voice 2 To Lower [TO LOWER ▲]	○	[00-01]	○	[00-01]	00:OFF, 01:ON

Solo Mode

cc Code	Switch	dd				Remarks
		Receive	Rx Range	Transmit	Tx Range	
39	Lead Voice 2 Solo (Knee) [SOLO (KNEE)]	○	[00-01]	○	[00-01]	00:OFF, 01:ON

Brilliance

cc	Switch	dd				Remarks
Code		Receive	Rx Range	Transmit	Tx Range	
42	Upper Keyboard Voice 1 Brilliance	○	[00-06]	○	[00-06]	00:BRILLIANT, 06:MELLOW
43	Lower Keyboard Voice 1 Brilliance	○	[00-06]	○	[00-06]	00:BRILLIANT, 06:MELLOW
44	Upper Keyboard Voice 2 Brilliance	○	[00-06]	○	[00-06]	00:BRILLIANT, 06:MELLOW
45	Lower Keyboard Voice 2 Brilliance	○	[00-06]	○	[00-06]	00:BRILLIANT, 06:MELLOW
46	Lead Voice 1 Brilliance	○	[00-06]	○	[00-06]	00:BRILLIANT, 06:MELLOW
47	Pedal Voice 1 Brilliance	○	[00-06]	○	[00-06]	00:BRILLIANT, 06:MELLOW
48	Pedal Voice 2 Brilliance	○	[00-06]	○	[00-06]	00:BRILLIANT, 06:MELLOW
49	Lead Voice 2 Brilliance	○	[00-06]	○	[00-06]	00:BRILLIANT, 06:MELLOW

Sustain

cc	Switch	dd				Remarks
Code		Receive	Rx Range	Transmit	Tx Range	
50	Upper Sustain [UPPER (KNEE)]	○	[00-01]	○	[00-01]	00:OFF, 01:ON
51	Lower Sustain [LOWER (KNEE)]	○	[00-01]	○	[00-01]	00:OFF, 01:ON
52	Pedal Sustain [PEDAL]	○	[00-01]	○	[00-01]	00:OFF, 01:ON

Solo Bar

cc	Switch	dd				Remarks
Code		Receive	Rx Range	Transmit	Tx Range	
59	Solo Bar	○	[00-01]	×	-	00:OFF, 01:ON

Keyboard Percussion

cc	Switch	dd				Remarks
Code		Receive	Rx Range	Transmit	Tx Range	
5B	Keyboard Percussion [1]	○	[00-01]	○	[00-01]	00:OFF, 01:ON
5C	Keyboard Percussion [2]	○	[00-01]	○	[00-01]	00:OFF, 01:ON

Disable

cc	Switch	dd				Remarks
Code		Receive	Rx Range	Transmit	Tx Range	
5F	Disable [D.]	○	[00-01]	○	[00-01]	00:OFF, 01:ON

Rotary Speaker

cc	Switch	dd				Remarks
Code		Receive	Rx Range	Transmit	Tx Range	
60	Rotary Speaker Speed [ROTARY SP SPEED]	○	[00-01]	○	[00-01]	00:OFF, 01:ON

Rhythm Sequence

cc	Switch	dd				Remarks
Code		Receive	Rx Range	Transmit	Tx Range	
61	Sequence 1 [SEQ.1]	○	[00-01]	○	[00-01]	00:OFF, 01:ON
62	Sequence 2 [SEQ.2]	○	[00-01]	○	[00-01]	00:OFF, 01:ON
63	Sequence 3 [SEQ.3]	○	[00-01]	○	[00-01]	00:OFF, 01:ON
64	Sequence 4 [SEQ.4]	○	[00-01]	○	[00-01]	00:OFF, 01:ON

*3. MIDI Parameter

Voice Section Parameters

Panel Voice Parameters

(Address mm: 0 – 7 = UK1, UK2, LK1, LK2, LEAD 1, LEAD 2, PEDAL 1, PEDAL 2)

MIDI Exclusive Format

F0, 43, 70, 78, 44, hh, mm, ll, ..., F7

Address			Size	Data	Parameter	Data	Receive	Rx Range	Transmit	Tx Range
hh	mm	ll								
10	00-07	00-0D	5	00-7F 00-7F 00 00 00	Voice Assign Number	00-7F 00-7F 00 00 00	○	00-7F 00-7F 00 00 00	○	00-7F 00-7F 00 00 00
10	00-07	10	1	00-0D	Voice Selector Number	00-0D	○	00-0D	○	00-0D
10	00-07	11	1	00-7F	Volume	00:MIN 7F:MAX	○	00-7F	×	-
10	00-07	12	1	00-7F	Reverb (Send Level)	00:MIN 7F:MAX	○	00-7F	○	00-7F
10	00-07	13	1	00-7F	Brilliance	00:BRILLIANT 40:CENTER 7F:MELLOW	○	00-7F	×	-
10	00-07	14	1	00-04	Feet	00:PRESET 01:16' 02:8' 03:4' 04:2'	○	00-7F	○	00-04
10	00-07	15	1	00-7F	Pan	00:LEFT 40:CENTER 7F:RIGHT	○	00-7F	○	08-78
10	00-07	16	1	00-7F	Touch Tone Initial Touch	00:MIN 7F:MAX	○	00-7F	○	00-7F
10	00-07	17	1	00-7F	Touch Tone After Touch	00:MIN 7F:MAX	○	00-7F	○	00-7F
10	00-07	18	1	00-7F	Pitch After Touch	00:NARROW 7F:WIDE	○	00-7F	○	32-4E
10	00-07	19	1	00-7F	User Vibrato	00:PRESET 01:USER	○	00-7F	○	00-01
10	00-07	1A	1	00-7F	Vibrato Delay	00:SHORT 7F:LONG	○	00-7F	○	02-1A
10	00-07	1B	1	00-7F	Vibrato Depth	00:MIN 7F:MAX	○	00-7F	○	00-54
10	00-07	1C	1	00-7F	Vibrato Speed	00:SLOW 7F:FAST	○	00-7F	○	3C-6C
10	00-05	1D	1	00-7F	Pitch Horizontal Touch	00:NARROW 7F:WIDE	○	00-7F	○	00-7F
10	00-07	1E	1	00-7F	Touch Vibrato (On/Off)	00:OFF 7F:ON	○	00-7F	○	00-7F
10	04-07	1F	1	00-7F	TO LOWER ▼/▲/SOLO (KNEE)	00:OFF 01:ON	○	00-7F	×	-
10	04-05	20	1	00-02	Slide (On/Knee Lever/Off)	00:OFF 01:ON 02:Knee Lever	○	00-02	○	00-02
10	04-05	21	1	00-7F	Slide Time	00:FAST 7F:SLOW	○	00-7F	○	02-7F
10	00-07	22	1	00-7F	Tune/Detune	00:Down 40:Center 7F:Up	○	00-7F	○	00-7F
10	00-01/ 04-07	23	1	00-7F	2nd Expression Pitch Bend	00:OFF 01:ON	○	00-7F	○	00-01
10	00-05	24	1	00-7F	Footswitch Glide Control	00:OFF 01:ON	○	00-7F	○	00-01
10	00-07	25	1	3A-46	Transpose	3A:KeyDown 40:Normal 46:KeyUp	○	3A-46	○	3A-46
10	06-07	28	1	00-7F	Poly (On/Off)	00:Mono 01:Poly	○	00-7F	○	00-01
10	05	29	1	00-7F	Priority (Last/Top)	00:TOP 01:LAST	○	00-7F	○	00-01
10	00-07	2A	1	00-7F	Volume Mute	00:Mute OFF 01:Mute ON	○	00-7F	○	00-01

ELS-01/ELS-01C

Address			Size	Data	Parameter	Data	Receive	Rx Range	Transmit	Tx Range
hh	mm	ll								
10	00-07	40	3	00 00-7F 00-7F	Effect 1 Type MSB/LSB	00 00-7F 00-7F	○	00 00-7F 00-7F	○	00 00-7F 00-7F
10	00-07	41	2	0000-7F7F	Effect 1 Parameter 1 MSB/LSB	0000-7F7F	○	0000-7F7F	○	0000-7F7F
10	00-07	42	2	0000-7F7F	Effect 1 Parameter 2 MSB/LSB	0000-7F7F		0000-7F7F		0000-7F7F
10	00-07	43	2	0000-7F7F	Effect 1 Parameter 3 MSB/LSB	0000-7F7F		0000-7F7F		0000-7F7F
10	00-07	44	2	0000-7F7F	Effect 1 Parameter 4 MSB/LSB	0000-7F7F		0000-7F7F		0000-7F7F
10	00-07	45	2	0000-7F7F	Effect 1 Parameter 5 MSB/LSB	0000-7F7F		0000-7F7F		0000-7F7F
10	00-07	46	2	0000-7F7F	Effect 1 Parameter 6 MSB/LSB	0000-7F7F		0000-7F7F		0000-7F7F
10	00-07	47	2	0000-7F7F	Effect 1 Parameter 7 MSB/LSB	0000-7F7F		0000-7F7F		0000-7F7F
10	00-07	48	2	0000-7F7F	Effect 1 Parameter 8 MSB/LSB	0000-7F7F		0000-7F7F		0000-7F7F
10	00-07	49	2	0000-7F7F	Effect 1 Parameter 9 MSB/LSB	0000-7F7F		0000-7F7F		0000-7F7F
10	00-07	4A	2	0000-7F7F	Effect 1 Parameter 10 MSB/LSB	0000-7F7F		0000-7F7F		0000-7F7F
10	00-07	4B	2	0000-7F7F	Effect 1 Parameter 11	0000-7F7F		0000-7F7F		0000-7F7F
10	00-07	4C	2	0000-7F7F	Effect 1 Parameter 12	0000-7F7F		0000-7F7F		0000-7F7F
10	00-07	4D	2	0000-7F7F	Effect 1 Parameter 13	0000-7F7F		0000-7F7F		0000-7F7F
10	00-07	4E	2	0000-7F7F	Effect 1 Parameter 14	0000-7F7F		0000-7F7F		0000-7F7F
10	00-07	4F	2	0000-7F7F	Effect 1 Parameter 15	0000-7F7F		0000-7F7F		0000-7F7F
10	00-07	50	2	0000-7F7F	Effect 1 Parameter 16	0000-7F7F		0000-7F7F		0000-7F7F
10	00-07	51	3	00 00-7F 00-7F	Effect 2 Type MSB/LSB	00 00-7F 00-7F	○	00 00-7F 00-7F	○	00 00-7F 00-7F
10	00-07	52	2	0000-7F7F	Effect 2 Parameter 1 MSB/LSB	0000-7F7F	○	0000-7F7F	○	0000-7F7F
10	00-07	53	2	0000-7F7F	Effect 2 Parameter 2 MSB/LSB	0000-7F7F		0000-7F7F		0000-7F7F
10	00-07	54	2	0000-7F7F	Effect 2 Parameter 3 MSB/LSB	0000-7F7F		0000-7F7F		0000-7F7F
10	00-07	55	2	0000-7F7F	Effect 2 Parameter 4 MSB/LSB	0000-7F7F		0000-7F7F		0000-7F7F
10	00-07	56	2	0000-7F7F	Effect 2 Parameter 5 MSB/LSB	0000-7F7F		0000-7F7F		0000-7F7F
10	00-07	57	2	0000-7F7F	Effect 2 Parameter 6 MSB/LSB	0000-7F7F		0000-7F7F		0000-7F7F
10	00-07	58	2	0000-7F7F	Effect 2 Parameter 7 MSB/LSB	0000-7F7F		0000-7F7F		0000-7F7F
10	00-07	59	2	0000-7F7F	Effect 2 Parameter 8 MSB/LSB	0000-7F7F		0000-7F7F		0000-7F7F
10	00-07	5A	2	0000-7F7F	Effect 2 Parameter 9 MSB/LSB	0000-7F7F		0000-7F7F		0000-7F7F
10	00-07	5B	2	0000-7F7F	Effect 2 Parameter 10 MSB/LSB	0000-7F7F		0000-7F7F		0000-7F7F
10	00-07	5C	2	0000-7F7F	Effect 2 Parameter 11	0000-7F7F		0000-7F7F		0000-7F7F
10	00-07	5D	2	0000-7F7F	Effect 2 Parameter 12	0000-7F7F		0000-7F7F		0000-7F7F
10	00-07	5E	2	0000-7F7F	Effect 2 Parameter 13	0000-7F7F		0000-7F7F		0000-7F7F
10	00-07	5F	2	0000-7F7F	Effect 2 Parameter 14	0000-7F7F		0000-7F7F		0000-7F7F
10	00-07	60	2	0000-7F7F	Effect 2 Parameter 15	0000-7F7F		0000-7F7F		0000-7F7F
10	00-07	61	2	0000-7F7F	Effect 2 Parameter 16	0000-7F7F		0000-7F7F		0000-7F7F

Organ Flute Voice Parameters (Address mm: 0 – 1 = UK, LK)

Address			Size	Data	Parameter	Data	Receive	Rx Range	Transmit	Tx Range
hh	mm	ll								
11	00-01	00	1	00-7F	Footage 16'	00:MIN 7F:MAX	○	00-7F	○	00-7F
11	00-01	01	1	00-7F	Footage 8'	00:MIN 7F:MAX	○	00-7F	○	00-7F
11	00-01	02	1	00-7F	Footage 5-1/3'	00:MIN 7F:MAX	○	00-7F	○	00-7F
11	00-01	03	1	00-7F	Footage 4'	00:MIN 7F:MAX	○	00-7F	○	00-7F
11	00-01	04	1	00-7F	Footage 2-2/3'	00:MIN 7F:MAX	○	00-7F	○	00-7F
11	00-01	05	1	00-7F	Footage 2'	00:MIN 7F:MAX	○	00-7F	○	00-7F
11	00-01	06	1	00-7F	Footage 1-3/5'	00:MIN 7F:MAX	○	00-7F	○	00-7F
11	00-01	07	1	00-7F	Footage 1-1/3'	00:MIN 7F:MAX	○	00-7F	○	00-7F

Address			Size	Data	Parameter	Data	Receive	Rx Range	Transmit	Tx Range
hh	mm	ll								
11	00-01	08	1	00-7F	Footage 1'	00:MIN 7F:MAX	○	00-7F	○	00-7F
11	00-01	09	1	00-7F	Response	00:FAST 7F:SLOW	○	00-7F	○	00-7F
11	00-01	0A	1	00-7F	Attack 4'	00:MIN 7F:MAX	○	00-7F	○	00-7F
11	00-01	0B	1	00-7F	Attack 2-2/3'	00:MIN 7F:MAX	○	00-7F	○	00-7F
11	00-01	0C	1	00-7F	Attack 2'	00:MIN 7F:MAX	○	00-7F	○	00-7F
11	00-01	0D	1	00-7F	Attack Length	00:Short 7F:Long	○	00-7F	○	00-7F
11	00-01	10	1	00-7F	Organ Flutes (On/Off)	00:OFF 01:ON	○	00-7F	×	-
11	00-01	11	1	00-7F	Volume	00:MIN 7F:MAX	○	00-7F	○	00-7F
11	00-01	12	1	00-7F	Reverb (Send Level)	00:MIN 7F:MAX	○	00-7F	○	00-7F
11	00-01	13	1	00-7F	Type (Sine/Vintage)	00:Sine 01:Vintage	○	00-7F	○	00-01
11	00-01	40	3	00 00-7F 00-7F	Effect Type MSB/LSB	00 00-7F 00-7F	○	00 00-7F 00-7F	○	00 00-7F 00-7F

Keyboard Parameters

Sustain Parameters (Address mm: 0 – 2 = UK, LK, PEDAL)

Address			Size	Data	Parameter	Data	Receive	Rx Range	Transmit	Tx Range
hh	mm	ll								
12	00-02	00	1	00-7F	Sustain (On/Off)	00:OFF 01:ON	○	00-7F	×	-
12	00-02	01	1	00-7F	Length	00:Short 7F:Long	○	00-7F	○	15-3D

Keyboard Percussion Parameters (Address mm: 1 – 2 = K.B.P. [1], K.B.P. [2])

Address			Size	Data	Parameter	Data	Receive	Rx Range	Transmit	Tx Range
hh	mm	ll								
12	01-02	10	1	00-7F	Keyboard Percussion (On/Off)	00:OFF 01:ON	○	00-7F	×	-
12	01-02	11	1	00-08	Keyboard Percussion Menu	00:PRESET 01:USER 1 02:USER 2 03:USER 3 04:USER 4 05:USER 5 06:USER 6 07:USER 7 08:USER 8	○	00-08	○	00-08

Rhythm

Rhythm Parameters

Address			Size	Data	Parameter	Data	Receive	Rx Range	Transmit	Tx Range
hh	mm	ll								
13	00	00-0B	2	0000-7F7F	Rhythm Assign Number	0000-7F7F	○	00-7F 00-7F	○	00-7F 00-7F
13	00	10	1	00-0B	Rhythm Selector Number	00-0B	○	00-0B	○	00-0B
13	00	11	1	00-7F	Percussion Volume	00:MIN 7F:MAX	○	00-7F	×	-
13	00	12	1	00-7F	Percussion Reverb (Send Level)	00:MIN 7F:MAX	○	00-7F	○	00-7F
13	00	13	1	00-7F	2nd Expression Tempo Control (On/Off)	00:OFF 01:ON	○	00-7F	○	00-01
13	00	14	1	00-7F	Footswitch Rhythm Control	00:INTRO 1 01:INTRO 2 02:INTRO 3 08:MAIN A 09:MAIN B 0A:MAIN C 0B:MAIN D 18:BREAK 20:ENDING 1 21:ENDING 2 22:ENDING 3 7E:STOP 7F:OFF (INTRO 1 – STOP)	○	00-7F	○	00-7F
13	00	15	1	00-7F	Add Drum (On/Off)	00:OFF 01:ON	○	00-7F	○	00-01
13	00	16	1	00-7F	Main Drum (On/Off)	00:OFF 01:ON	○	00-7F	○	00-01
13	00	17	1	00-7F	Chord 1 (On/Off)	00:OFF 01:ON	○	00-7F	○	00-01
13	00	18	1	00-7F	Chord 2 (On/Off)	00:OFF 01:ON	○	00-7F	○	00-01
13	00	19	1	00-7F	Pad (On/Off)	00:OFF 01:ON	○	00-7F	○	00-01
13	00	1A	1	00-7F	Phrase 1 (On/Off)	00:OFF 01:ON	○	00-7F	○	00-01
13	00	1B	1	00-7F	Phrase 2 (On/Off)	00:OFF 01:ON	○	00-7F	○	00-01
13	00	1C	1	00-7F	Auto Fill (On/Off)	00:OFF 01:ON	○	00-7F	○	00-01

Rhythm Sequence Parameters

Address			Size	Data	Parameter	Data	Receive	Rx Range	Transmit	Tx Range
hh	mm	ll								
13	01	00-03	1	00-7F	Sequence [SEQ.1] – [SEQ.4]	00:OFF 01:ON	○	00-7F	×	-

Accompaniment Parameters

Address			Size	Data	Parameter	Data	Receive	Rx Range	Transmit	Tx Range
hh	mm	ll								
13	02	11	1	00-7F	Accompaniment Volume	00:MIN 7F:MAX	○	00-7F	○	00-7F
13	02	12	1	00-7F	Accompaniment Reverb (Send Level)	00:MIN 7F:MAX	○	00-7F	○	00-7F

A.B.C. Function Parameters

Address			Size	Data	Parameter	Data	Receive	Rx Range	Transmit	Tx Range
hh	mm	ll								
13	03	00	1	00-7F	Auto Bass Chord Mode	00:OFF 01:Single Finger 02:Fingered 03:Custom A.B.C.	○	00-7F	○	00-03
13	03	01	1	00-7F	Lower Memory (On/Off)	00:OFF 01:ON	○	00-7F	○	00-01
13	03	02	1	00-7F	Pedal Memory (On/Off)	00:OFF 01:ON	○	00-7F	○	00-01

M.O.C. Function Parameters

Address			Size	Data	Parameter	Data	Receive	Rx Range	Transmit	Tx Range
hh	mm	ll								
13	04	00	1	00-7F	Melody On Chord Mode	00:OFF 01:1 02:2 03:3	○	00-7F	○	00-03
13	04	01	1	00-7F	M.O.C. Knee Lever Control (On/Off)	00:OFF 01:ON	○	00-7F	○	00-01

Section Parameters

Address			Size	Data	Parameter	Data	Receive	Rx Range	Transmit	Tx Range
hh	mm	ll								
13	05	00	1	00-7F	Intro 1 (On/Off)	00:OFF 01:ON	○	00-7F	○	00-01
13	05	01	1	00-7F	Intro 2 (On/Off)	00:OFF 01:ON	○	00-7F	○	00-01
13	05	02	1	00-7F	Intro 3 (On/Off)	00:OFF 01:ON	○	00-7F	○	00-01
13	05	08	1	00-7F	Main A (On/Off)	00:OFF 01:ON	○	00-7F	○	00-01
13	05	09	1	00-7F	Main B (On/Off)	00:OFF 01:ON	○	00-7F	○	00-01
13	05	0A	1	00-7F	Main C (On/Off)	00:OFF 01:ON	○	00-7F	○	00-01
13	05	0B	1	00-7F	Main D (On/Off)	00:OFF 01:ON	○	00-7F	○	00-01
13	05	18	1	00-7F	Break (On/Off)	00:OFF 01:ON	○	00-7F	○	00-01
13	05	20	1	00-7F	Ending 1 (On/Off)	00:OFF 01:ON	○	00-7F	○	00-01
13	05	21	1	00-7F	Ending 2 (On/Off)	00:OFF 01:ON	○	00-7F	○	00-01
13	05	22	1	00-7F	Ending 3 (On/Off)	00:OFF 01:ON	○	00-7F	○	00-01

Keyboard Percussion Parameters

Address			Size	Data	Parameter	Data	Receive	Rx Range	Transmit	Tx Range
hh	mm	ll								
13	10	11	1	00-7F	Volume	00:MIN 7F:MAX	○	00-7F	○	00-7F
13	10	12	1	00-7F	Reverb (Send Level)	00:MIN 7F:MAX	○	00-7F	○	00-7F

Overall

System Parameters

Address			Size	Data	Parameter	Data	Receive	Rx Range	Transmit	Tx Range
hh	mm	ll								
14	00	00	1	00-7F	Disable (On/Off)	00:OFF 01:ON	○	00-7F	×	-
14	00	01	1	00-7F	Organ Flute Attack Mode	00:Each 01:First	○	00-7F	○	00-01
14	00	02	1	3A-46	Transpose	3A:KeyDown 40:Normal 46:KeyUp	○	3A-46	○	3A-46
14	00	03	1	01-0C	2nd Expression Range	01:100 C 0C:1200 C	○	01-0C	○	01-0C
14	00	04	1	00-7F	Footswitch Mode	00:OFF 01:Rhythm 02:Glide 03:Rotary Speaker	○	00-7F	○	00-03
14	00	05	1	00-7F	Pitch	00:PitchDown 40:Normal 7F:PitchUp	○	00-7F	○	00-7F
14	00	06	1	00-7F	Footswitch Glide Time	00:FAST 7F:SLOW	○	00-7F	○	04-1C

Address			Size	Data	Parameter	Data	Receive	Rx Range	Transmit	Tx Range
hh	mm	ll								
14	00	08	1	00-7F	MIDI Control Expression (INT/EXT)	00:Internal 01:External	○	00-7F	×	-
14	00	09	1	00-7F	MIDI Control Lead 1 (INT/EXT)	00:Internal 01:External	○	00-7F	×	-
14	00	0A	3	00-04 00-04 (00-03)* 00-0B	Registration Menu	00-04 00-04 (00-03) 00-0B	○	00-04 00-04 (00-03) 00-0B	○	00-04 00-04 (00-03) 00-0B

*ELS-01

Effect Parameters (Overall): Reverb

Address			Size	Data	Parameter	Data	Receive	Rx Range	Transmit	Tx Range
hh	mm	ll								
14	01	00	1	00-7F	Reverb Depth	00:MIN 7F:MAX	○	00-7F	×	-
14	01	01	1	00-7F	Reverb Time (Panel)	00:FAST 7F:SLOW	○	00-7F	○	00-45
14	01	02	3	00 00-7F 00-7F	Reverb Type (Panel)	00 00-7F 00-7F	○	00 00-7F 00-7F	○	00 00-7F 00-7F

Effect Parameters (Overall): Rhythm Reverb

Address			Size	Data	Parameter	Data	Receive	Rx Range	Transmit	Tx Range
hh	mm	ll								
14	02	01	1	00-7F	Reverb Time (Rhythm)	00:FAST 7F:SLOW	○	00-7F	○	00-45
14	02	02	3	00 00-7F 00-7F	Reverb Type (Rhythm)	00 00-7F 00-7F	○	00 00-7F 00-7F	○	00 00-7F 00-7F

Effect Parameters (Overall): Rotary Speaker

Address			Size	Data	Parameter	Data	Receive	Rx Range	Transmit	Tx Range
hh	mm	ll								
14	03	00	1	00-7F	Rotary Speaker Speed (On/Off)	00:OFF 01:ON	○	00-7F	×	-
14	03	01	1	00-7F	Rotary Speaker Speed Control Mode	00:STOP 01:SLOW	○	00-7F	○	00-01
14	03	02	2	0000- 007F	Rotary Speaker Speed Control Speed	0000:SLOW 007F:FAST	○	0000-007F	○	0040-007F

*4. MDR

nn	Command	Receive	Transmit
01H	Play Start	○	×
02H	Play Stop	○	×
03H	Record Start	○	×
04H	Record Stop	○	×
05H	Fast Forward Start	○	×
06H	Fast Forward Stop	○	×
09H	Rhythm Pointer Reset	○	×

Electone® **STAGEA**™

ELS-01/ELS-01C

UD-FD01

PARTS LIST


■ CONTENTS

OVERALL ASSEMBLY (ELS-01)	2	COVER MECHANISM UNIT R	
OVERALL ASSEMBLY (ELS-01C)	5	(ELS-01/ELS-01C)	28
UPPER UNIT (ELS-01/ELS-01C)	8	COVER MECHANISM UNIT L	
PANEL ASSEMBLY (ELS-01/ELS-01C)	10	(ELS-01/ELS-01C)	29
SWITCH ESCUTCHEON (A) ASSEMBLY		KNEE LEVER UNIT (ELS-01/ELS-01C)	30
(ELS-01/ELS-01C)	13	UPPER KEYBOARD UNIT (ELS-01/ELS-01C)	32
SWITCH ESCUTCHEON (B) ASSEMBLY		LOWER KEYBOARD UNIT (ELS-01/ELS-01C)	34
(ELS-01/ELS-01C)	15	FSX KEYBOARD ASSEMBLY (UK, LK) (ELS-01)	36
SWITCH ESCUTCHEON (C1) ASSEMBLY		FSVX KEYBOARD ASSEMBLY (UK, LK) (ELS-01C) ..	38
(ELS-01/ELS-01C)	16	SPEAKER BOX UNIT (ELS-01)	40
SWITCH ESCUTCHEON (C2) ASSEMBLY		SPEAKER BOX UNIT (ELS-01C)	42
(ELS-01/ELS-01C)	17	AMP UNIT (ELS-01)	44
SWITCH ESCUTCHEON (D) ASSEMBLY		AMP UNIT (ELS-01C)	46
(ELS-01/ELS-01C)	18	PEDAL UNIT (ELS-01)	48
SWITCH ESCUTCHEON (E) ASSEMBLY		PEDAL UNIT (ELS-01C)	50
(ELS-01/ELS-01C)	19	EXP PEDAL (2CH) (ELS-01/ELS-01C)	52
SWITCH ESCUTCHEON (F) ASSEMBLY		EXP PEDAL (2ND) (ELS-01C)	54
(ELS-01/ELS-01C)	20	BENCH (ELS-01)	56
DM BOX UNIT (ELS-01/ELS-01C)	21	BENCH (ELS-01C)	58
KEY COVER ASSEMBLY (ELS-01/ELS-01C)	24	UD-FD01 (OPTION ARTICLE)	59
LOWER CASE UNIT (ELS-01/ELS-01C)	26	ELECTRICAL PARTS	60~113

Notes : DESTINATION ABBREVIATIONS

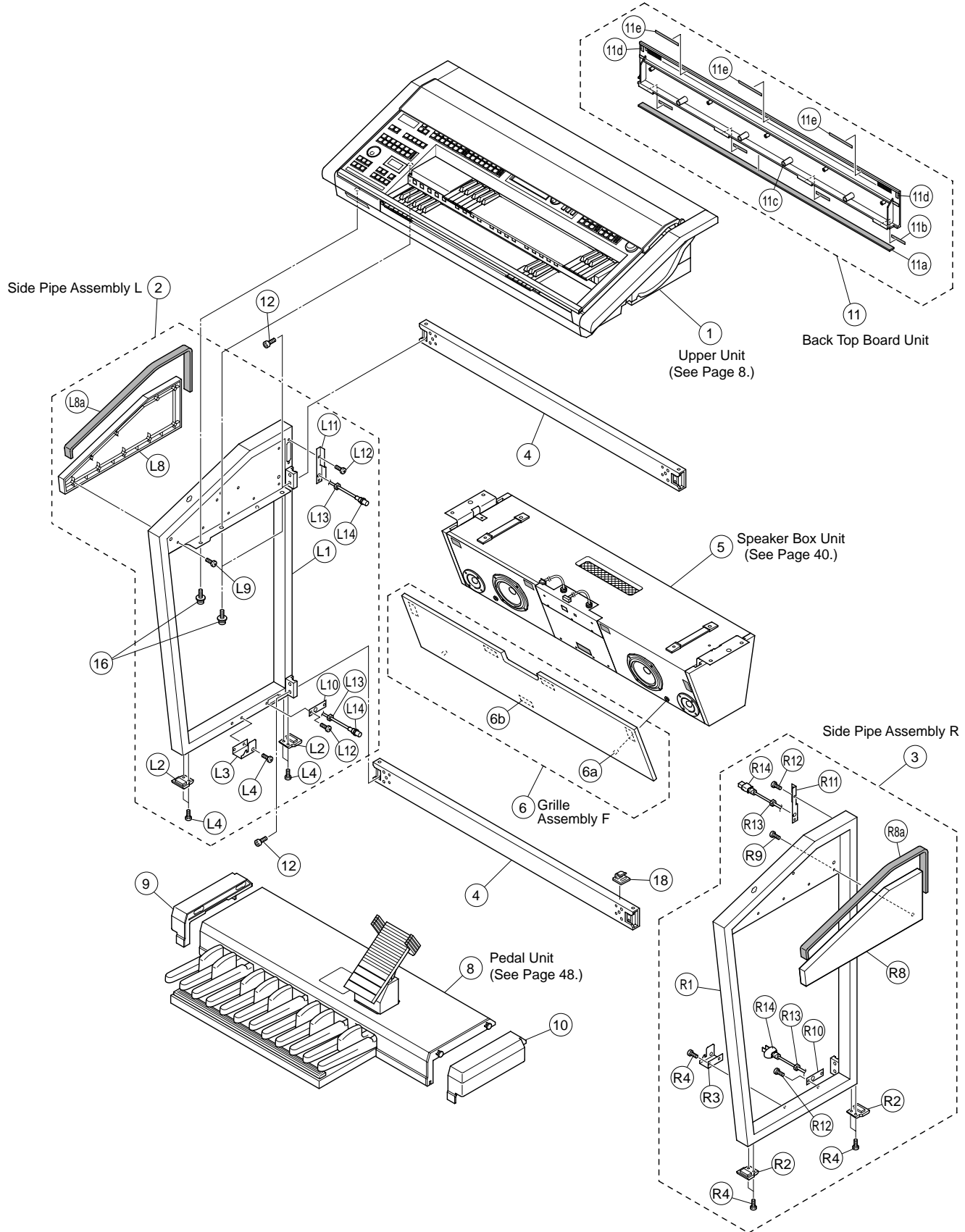
A : Australian model	M : South African model
B : British model	O : Chinese model
C : Canadian model	Q : South-east Asia model
D : German model	T : Taiwan model
E : European model	U : U.S.A. model
F : French model	V : General export model (110V)
H : North European model	W : General export model (220V)
I : Indonesian model	N,X: General export model
J : Japanese model	Y : Export model
K : Korean model	

■ WARNING

Components having special characteristics are marked  and must be replaced with parts having specification equal to those originally installed.

- The numbers "QTY" show quantities for each unit.
- The parts with "--" in "PART NO." are not available as spare parts.
- This mark "}" in the REMARKS column means these parts are interchangeable.
- The second letter of the shaded (■) part number is O, not zero.
- The second letter of the shaded (■) part number is I, not one.

OVERALL ASSEMBLY (ELS-01)



REF NO.	PART NO.	DESCRIPTION		REMARKS	QTY	RANK
	--	OVERALL ASSEMBLY		ELS-01		
	--	Overall Assembly		J (WB84690)		
	--	Overall Assembly		Q,K (WB84700)		
	--	Overall Assembly		V (WB84710)		
1	--	Upper Unit		J (WB84830)		
1	--	Upper Unit		Q,K (WB84840)		
1	--	Upper Unit		V (WB84850)		
* 2	WB876800	Side Pipe Assembly L	LEFT			
* 3	WB877100	Side Pipe Assembly R	RIGHT	J		
* 3	WC296000	Side Pipe Assembly R	RIGHT	Q,K		
* 3	WC296100	Side Pipe Assembly R	RIGHT	V		
* 4	WB881400	Prop Bar			2	
5	--	Speaker Box Unit		J (WB89300)		
5	--	Speaker Box Unit		Q,K (WB89310)		
5	--	Speaker Box Unit		V (WB89320)		
* 6	WB894100	Grille Assembly F	FRONT			
* 6a	WC258500	Strike	PK75-2		2	
6b	VJ933400	Dual Lock Black	55X25		5	03
8	--	Pedal Unit		(WB88200)		
* 9	WD110100	PKS Cover Assembly L	LEFT			
* 10	WD110200	PKS Cover Assembly R	RIGHT			
* 11	WB890300	Back Top Board Unit				
11a	--	Felt	1080X23X1	(WC66950)		
11b	--	Felt	55X5X1.5	(WC66960)	4	
11c	--	Felt	12X2	(WC66970)	4	
11d	--	Felt	30X16X2	(WD14470)	2	
* 11e	WD103100	Lock Fastener Black	150X5		3	
* 12	WD004300	Cap Screw	PW8X20 MFZN2Y		8	
* 16	WD033900	Cap Screw	5.0X14 SP MFZN2BL		6	
18	VP592100	Clamp	DKN-5B(VHB)			03
* L1	WB876800	Side Pipe Assembly L	LEFT			
L2	--	Side Pipe L	LEFT	(WB87860)		
* L2	WB879000	Foot			2	
* L3	WC018600	Holder L	LEFT			
L4	EG340340	Bind Head Screw	4.0X6 MFZN2BL		6	01
* L8	WB880400	Side Cover Assembly L	LEFT			
L8a	--	Cushion	F-2 686X20X7T	(WC38880)		
L9	VR525900	Bind Head Tapping Screw-B	4.0X14 MFZN2BL		7	01
* L10	WB879300	Cord Holder A				
* L11	WB879400	Cord Holder C				
L12	EG330460	Bind Head Screw	3.0X5 MFZN2BL		4	01
L13	CB811230	Cord Strain Relief	SR-6N-4		2	02
* L14	WB862100	Cable	6			
* R1	WB877100	Side Pipe Assembly R	RIGHT	J		
* R1	WC296000	Side Pipe Assembly R	RIGHT	Q,K		
* R1	WC296100	Side Pipe Assembly R	RIGHT	V		
R2	--	Side Pipe R	RIGHT	(WB87870)		
* R2	WB879000	Foot			2	
* R3	WC018700	Holder R	RIGHT			
R4	EG340340	Bind Head Screw	4.0X6 MFZN2BL		6	01
* R8	WB880500	Side Cover Assembly R	RIGHT			
R8a	--	Cushion	F-2 686X20X7T	(WC38880)		
R9	VR525900	Bind Head Tapping Screw-B	4.0X14 MFZN2BL		7	01
* R10	WB879500	Cord Holder B				
* R11	WC169800	Cord Holder D				
R12	EG330460	Bind Head Screw	3.0X5 MFZN2BL		4	01
R13	CB032840	Cord Strain Relief	SR-5N-4		2	03
* R14	WB871400	AC Cord Set	J 2P 3.75m 7A	J		
* R14	WB871500	AC Cord Set	CE 2P 3.75m 6A	Q,K		
* R14	WB871600	AC Cord Set	EX 2P 3.75m 6A	V		
		ACCESSORIES				
	--	Bench		J (WB84730)		
	--	Bench		Q,V,K (WD06410)		
* X5105A00		Smart Media	K9S2808V0C-SSB0000			
		TOOLS				
* AAX53670		Touch Pen				

*: New Parts

RANK: Japan only

REF NO.	PART NO.	DESCRIPTION	REMARKS	QTY	RANK
*	WD065100	Wrench 6			05
*	WD065200	Wrench 4			
	VT655900	Spanner			

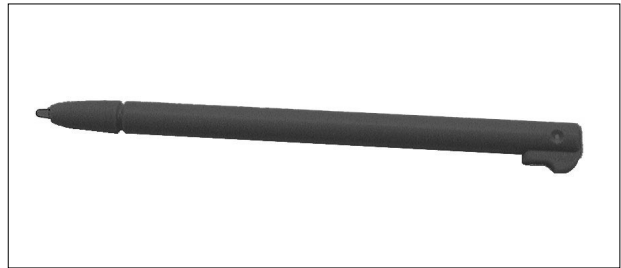
*: New Parts

RANK: Japan only

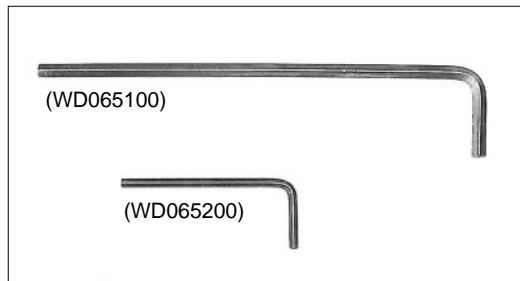
● FDD Set (See Page 6.)



● Touch Pen



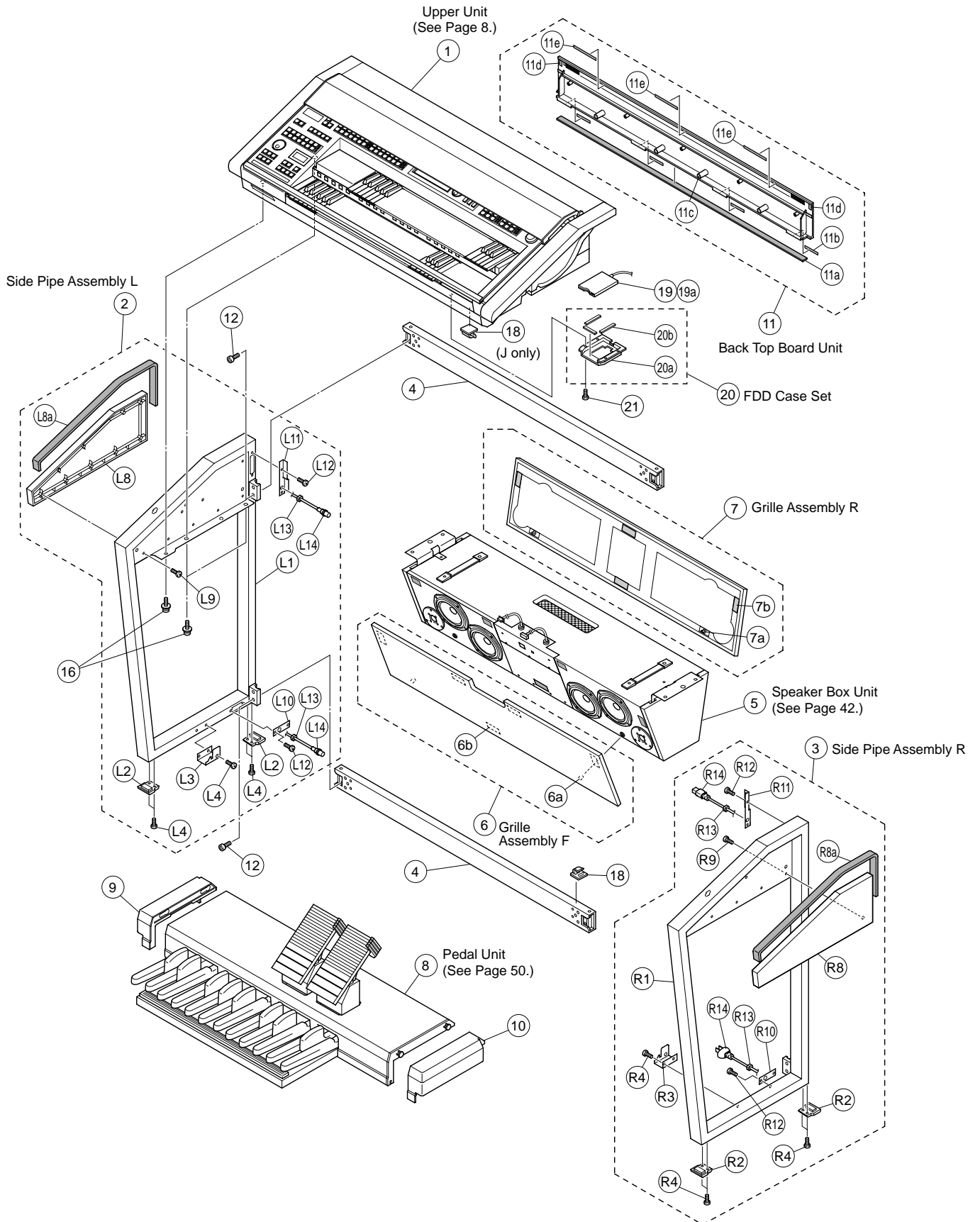
● Wrench



● Spanner



OVERALL ASSEMBLY (ELS-01C)



REF NO.	PART NO.	DESCRIPTION		REMARKS	QTY	RANK
		OVERALL ASSEMBLY		ELS-01C		
	--	Overall Assembly		J (WB84660)		
	--	Overall Assembly		Q,K (WB84670)		
	--	Overall Assembly		V (WB84680)		
1	--	Upper Unit		J (WB84800)		
1	--	Upper Unit		Q,K (WB84810)		
1	--	Upper Unit		V (WB84820)		
* 2	WB876800	Side Pipe Assembly L	LEFT			
* 3	WB877100	Side Pipe Assembly R	RIGHT	J		
* 3	WC296000	Side Pipe Assembly R	RIGHT	Q,K		
* 3	WC296100	Side Pipe Assembly R	RIGHT	V		
* 4	WB881400	Prop Bar			2	
5	--	Speaker Box Unit		J (WB89270)		
5	--	Speaker Box Unit		Q,K (WB89280)		
5	--	Speaker Box Unit		V (WB89290)		
* 6	WB894100	Grille Assembly F	FRONT			
* 6a	WC258500	Strike	PK75-2		2	
6b	VJ933400	Dual Lock Black	55X25		5	03
* 7	WB894200	Grille Assembly R	REAR			
* 7a	WC258500	Strike	PK75-2		2	
7b	VJ933400	Dual Lock Black	55X25		4	03
8	--	Pedal Unit		(WB88190)		
* 9	WD110100	PKS Cover Assembly L	LEFT			
* 10	WD110200	PKS Cover Assembly R	RIGHT			
* 11	WB890300	Back Top Board Unit				
11a	--	Felt	1080X23X1	(WC66950)		
11b	--	Felt	55X5X1.5	(WC66960)	4	
11c	--	Felt	12X2	(WC66970)	4	
11d	--	Felt	30X16X2	(WD14470)	2	
11e	WD103100	Lock Fastener Black	150X5		3	
* 12	WD004300	Cap Screw	PW8X20 MFZN2Y		8	
* 16	WD033900	Cap Screw	5.0X14 SP MFZN2BL		6	
18	VP592100	Clamp	DKN-5B(VHB)	J	2	03
18	VP592100	Clamp	DKN-5B(VHB)	Q,V,K		03
* 19	AA53660	FDD Set		WB87400+WC52190X3		
19a	--	FDD	USB-FDD YD-8U10	(WB87400)		
* 20	WC571200	FDD Case Set		Service Parts		
20a	--	Holder, FDD		(WC52210)		
* 20b	WC521900	Cushion, FDD	BLACK		3	
21	VT196400	Truss Head Screw	4.0X10 MFZN2BL		4	01
* L1	WB876800	Side Pipe Assembly L	LEFT			
* L2	--	Side Pipe L	LEFT	(WB87860)		
* L2	WB879000	Foot			2	
* L3	WC018600	Holder L	LEFT			
L4	EG340340	Bind Head Screw	4.0X6 MFZN2BL		6	01
* L8	WB880400	Side Cover Assembly L	LEFT			
L8a	--	Cushion	F-2 686X20X7T	(WC38880)		
L9	VR525900	Bind Head Tapping Screw-B	4.0X14 MFZN2BL		7	01
* L10	WB879300	Cord Holder A				
* L11	WB879400	Cord Holder C				
L12	EG330460	Bind Head Screw	3.0X5 MFZN2BL		4	01
L13	CB811230	Cord Strain Relief	SR-6N-4		2	02
* L14	WB862100	Cable	6			
* R1	WB877100	Side Pipe Assembly R	RIGHT	J		
* R1	WC296000	Side Pipe Assembly R	RIGHT	Q,K		
* R1	WC296100	Side Pipe Assembly R	RIGHT	V		
R1	--	Side Pipe R	RIGHT	(WB87870)		
* R2	WB879000	Foot			2	
* R3	WC018700	Holder R	RIGHT			
R4	EG340340	Bind Head Screw	4.0X6 MFZN2BL		6	01
* R8	WB880500	Side Cover Assembly R	RIGHT			
R8a	--	Cushion	F-2 686X20X7T	(WC38880)		
R9	VR525900	Bind Head Tapping Screw-B	4.0X14 MFZN2BL		7	01
* R10	WB879500	Cord Holder B				
* R11	WC169800	Cord Holder D				
R12	EG330460	Bind Head Screw	3.0X5 MFZN2BL		4	01
R13	CB032840	Cord Strain Relief	SR-5N-4		2	03
* R14	WB871400	AC Cord Set	J 2P 3.75m 7A	J		

*: New Parts

RANK: Japan only

REF NO.	PART NO.	DESCRIPTION		REMARKS	QTY	RANK
* R14	WB871500	AC Cord Set	CE 2P 3.75m 6A	Q,K		
* R14	WB871600	AC Cord Set	EX 2P 3.75m 6A	V		
		ACCESSORIES				
	--	Bench		J	(WB84720)	
	--	Bench		Q,V,K	(WD06400)	
* X5105A00		Smart Media	K9S2808V0C-SSB0000			
		TOOLS				
* AAX53670		Touch Pen				
* WD065100		Wrench 6				
* WD065200		Wrench 4				

*: New Parts

RANK: Japan only

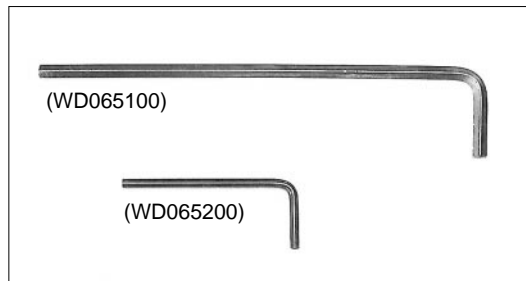
①9 FDD Set



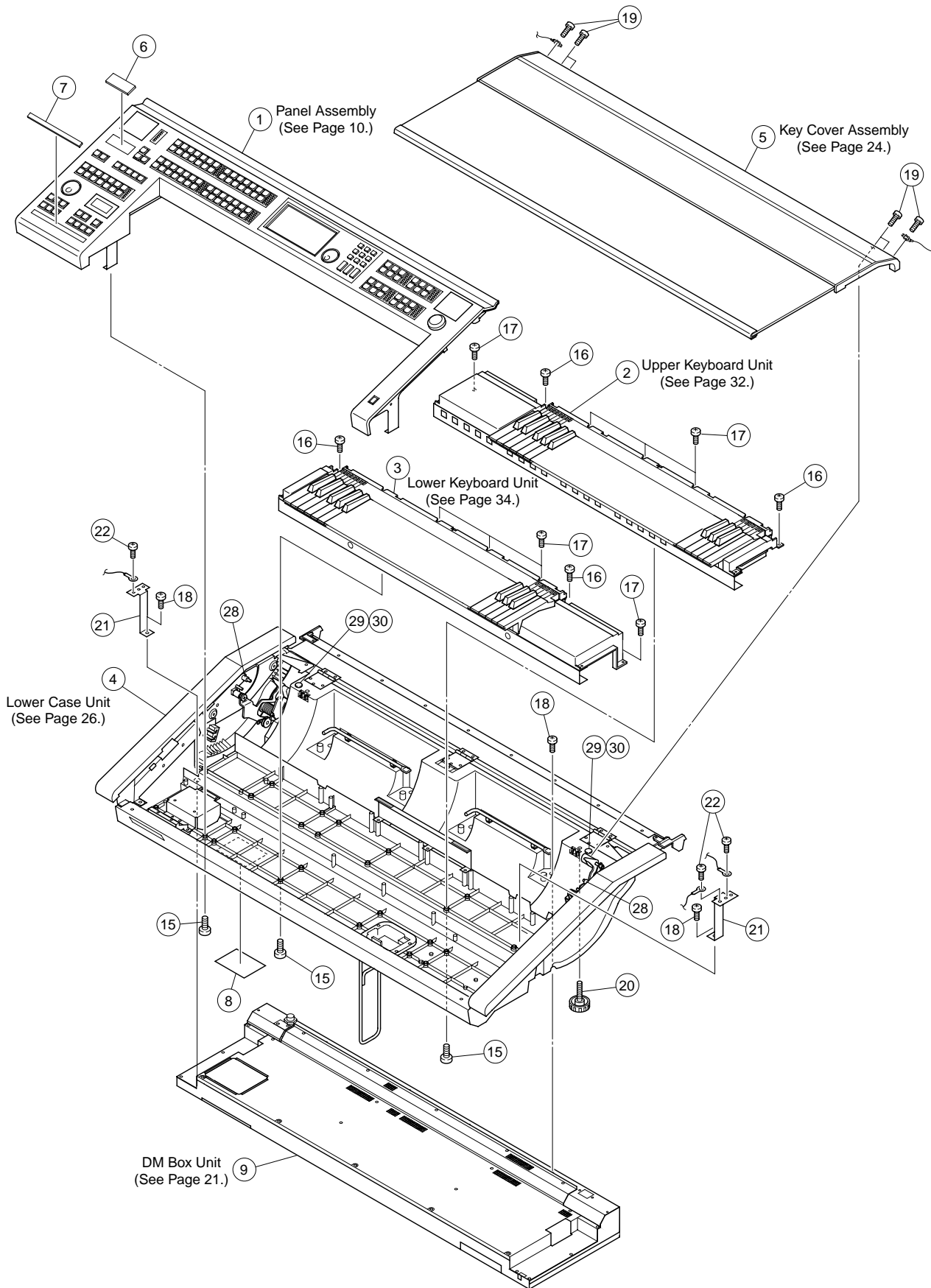
● Touch Pen



● Wrench



UPPER UNIT (ELS-01/ELS-01C)

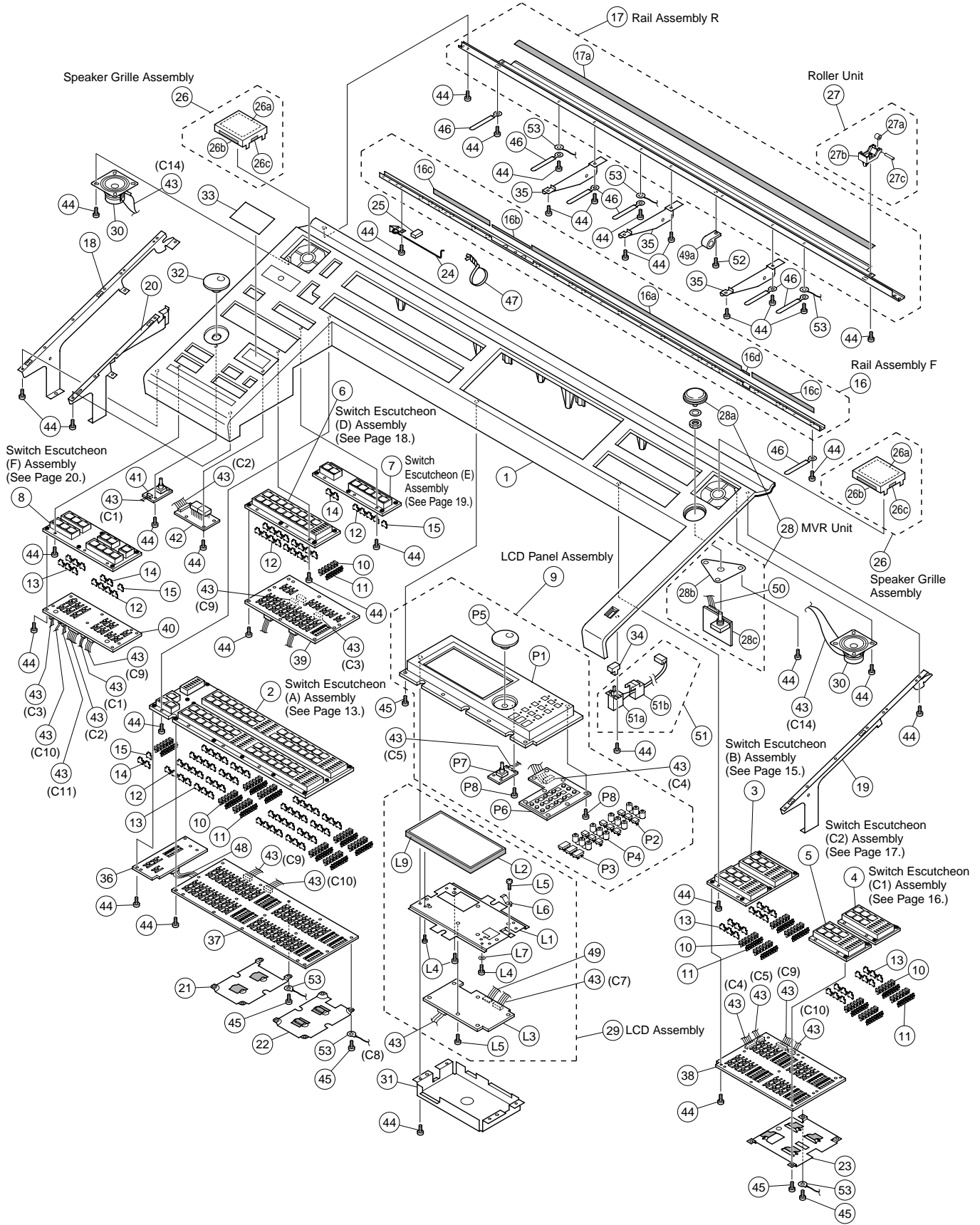


REF NO.	PART NO.	DESCRIPTION		REMARKS	QTY	RANK
	--	UPPER UNIT		ELS-01/ELS-01C		
	--	Upper Unit		ELS-01 J (WB84830)		
	--	Upper Unit		ELS-01 Q,K (WB84840)		
	--	Upper Unit		ELS-01 V (WB84850)		
	--	Upper Unit		ELS-01C J (WB84800)		
	--	Upper Unit		ELS-01C Q,K (WB84810)		
	--	Upper Unit		ELS-01C V (WB84820)		
1	--	Panel Assembly		(WB53950)		
2	--	Upper Keyboard Unit	FSX	ELS-01 (WB88390)		
2	--	Upper Keyboard Unit	FSVX	ELS-01C (WB53960)		
3	--	Lower Keyboard Unit	FSX	ELS-01 (WB88400)		
3	--	Lower Keyboard Unit	FSVX	ELS-01C (WB53970)		
4	--	Lower Case Unit		(WB53830)		
* 5	WB538400	Key Cover Assembly				
* 6	WB882700	Plate				
* 7	WB883400	Plate		ELS-01		
* 7	WB883200	Plate		ELS-01C		
8	--	Name Plate		ELS-01 J (WB92360)		
8	--	Name Plate		ELS-01 Q,K (WC95400)		
8	--	Name Plate		ELS-01 V (WB92380)		
8	--	Name Plate		ELS-01C J (WB92330)		
8	--	Name Plate		ELS-01C Q,K (WC95390)		
8	--	Name Plate		ELS-01C V (WB92350)		
9	--	DM Box Unit		ELS-01 J (WB86550)		
9	--	DM Box Unit		ELS-01 Q,V,K (WD03410)		
9	--	DM Box Unit		ELS-01C J (WB86540)		
9	--	DM Box Unit		ELS-01C Q,V,K (WD03400)		
15	EG350170	Bind Head Screw	5.0X12 MFZN2BL		19	01
16	EP640130	Bind Head Tapping Screw-B	4.0X10 MFZN2Y		4	01
17	EP600140	Bind Head Tapping Screw-B	3.0X10 MFZN2BL		8	01
18	03753440	Bind Head Screw	4.0X10 MFZN2Y		6	01
19	VI693100	Bind Head Tapping Screw-S	4.0X8 MFZN2BL		6	01
* 20	WC908500	Knob Bolt	M5.0X30		2	
21	--	GND Wire Bracket		(WD07180)	2	
22	EP600250	Bind Head Tapping Screw-B	3.0X8 MFZN2Y		3	01
23	CB033610	Cord Binder	L=160		2	01
24	CB069250	Cord Holder	BK-1		2	01
25	22764900	Adhesive Tape	12X50m			08
28	--	Panel Spacer		(WD29330)	2	
29	--	Top Board Adjuster S		(WD28700)		
30	--	Top Board Adjuster L		(WD28710)		

*: New Parts

RANK: Japan only

PANEL ASSEMBLY (ELS-01/ELS-01C)



REF NO.	PART NO.	DESCRIPTION		REMARKS	QTY	RANK
		PANEL ASSEMBLY		ELS-01/ELS-01C		
	--	Panel Assembly		(WB53950)		
* 1	WB763900	Panel				
* 2	WB533700	Switch Escutcheon Assembly	A			
* 3	WB533800	Switch Escutcheon Assembly	B			
* 4	WB533900	Switch Escutcheon Assembly	C1			
* 5	WB781800	Switch Escutcheon Assembly	C2			
* 6	WB534000	Switch Escutcheon Assembly	D			
* 7	WB534100	Switch Escutcheon Assembly	E			
* 8	WB534200	Switch Escutcheon Assembly	F			
	--	LCD Panel Assembly		(WB53430)		
* 10	WB875400	Button, VR		MAX-MIN,BRILLIANT-MELLOW	126	
	VK783300	Lens, VR		MAX-MIN,BRILLIANT-MELLOW	18	02
	VK786900	Lens	x4	UK VOICE1,2,LK VOICE1,2, REGISTRATION MENU 1-4, RHYTHM,MAIN/FILL IN A-D	14	02
	VK787000	Lens	x3	UK VOICE1,2,LK VOICE1,2, LEAD VOICE1,2,INTRO 1-3, PEDAL VOICE1,2,ENDING 1-3	18	02
	VK787100	Lens	x2	LOWER(KNEE),PEDAL, KEYBOARD PERCUSSION 1,2, SYNCHRO START,START	3	02
	VK787200	Lens	x1	UPPER(KNEE),BREAK, REGISTRATION MENU 5	3	02
	--	Rail Assembly F	FRONT	(WB76510)		
	--	Nonwoven Fabric Cloth	510X30X0.5	(WB78190)		
	--	Nonwoven Fabric Cloth		(WC15770)		
	--	Nonwoven Fabric Cloth		(WC15780)	2	
	--	Nonwoven Fabric Cloth		(WC18240)		
	--	Rail Assembly R	REAR	(WB76520)		
	--	Felt	870X15X1	(WB78200)		
	--	Panel Holder A		(WB52790)		
	--	Panel Holder B		(WC92740)		
	--	Panel Holder C		(WB52820)		
	VM649800	CP2 Plate Assembly A				06
	VM649900	CP2 Plate Assembly B				06
	V0093900	CP4 Plate Assembly				07
	V2227300	Panel Stay				06
	V2300000	Rubber Cushion				03
* 26	WB764100	Speaker Grille Assembly			2	
	--	Nonwoven Fabric Cloth	1	(WB78230)		
	--	Nonwoven Fabric Cloth	2	(WB78240)	2	
	--	Nonwoven Fabric Cloth	3	(WB78250)	2	
	VJ956600	Roller Unit			2	04
	VJ804100	Roller				
	VJ803900	Guide				
	VK004300	Stainless Parallel Pin	3.0X20			01
	--	MVR Unit		(WB53470)		
* 28a	WB532500	Knob, VR		MASTER VOLUME		
* 28b	WB765000	Holder, MVR				
* 28c	WC299700	Circuit Board	MVR			
	--	LCD Assembly		(WB87000)		
	XU486B00	Speaker	6.6cm 4 ohm 5W	MONITOR	2	07
	--	LCD Shield Cover		(WB52890)		
* 32	WB764000	Encoder Knob		TEMPO		
* 33	WB529000	Cover, Tempo				
* 34	WB903100	Button		POWER		
	--	Angle Bracket, Panel		(WC75280)	3	
* 36	WC299100	Circuit Board	CP1			
* 37	WC299200	Circuit Board	CP2			
* 38	WC299400	Circuit Board	CP4			
* 39	WC298700	Circuit Board	PN1			
* 40	WC298800	Circuit Board	PN2			
* 41	WC298900	Circuit Board	ENC1			
* 42	WC301600	Circuit Board	TEMPO			
* 43	WC261300	Cable Kit	PN			
	EP600250	Bind Head Tapping Screw-B	3.0X8 MFZN2Y		156	01
	EP600140	Bind Head Tapping Screw-B	3.0X10 MFZN2BL		20	01
	CB817510	Cord Binder	S-14B		10	03
	CB033610	Cord Binder	L=160			01

*: New Parts

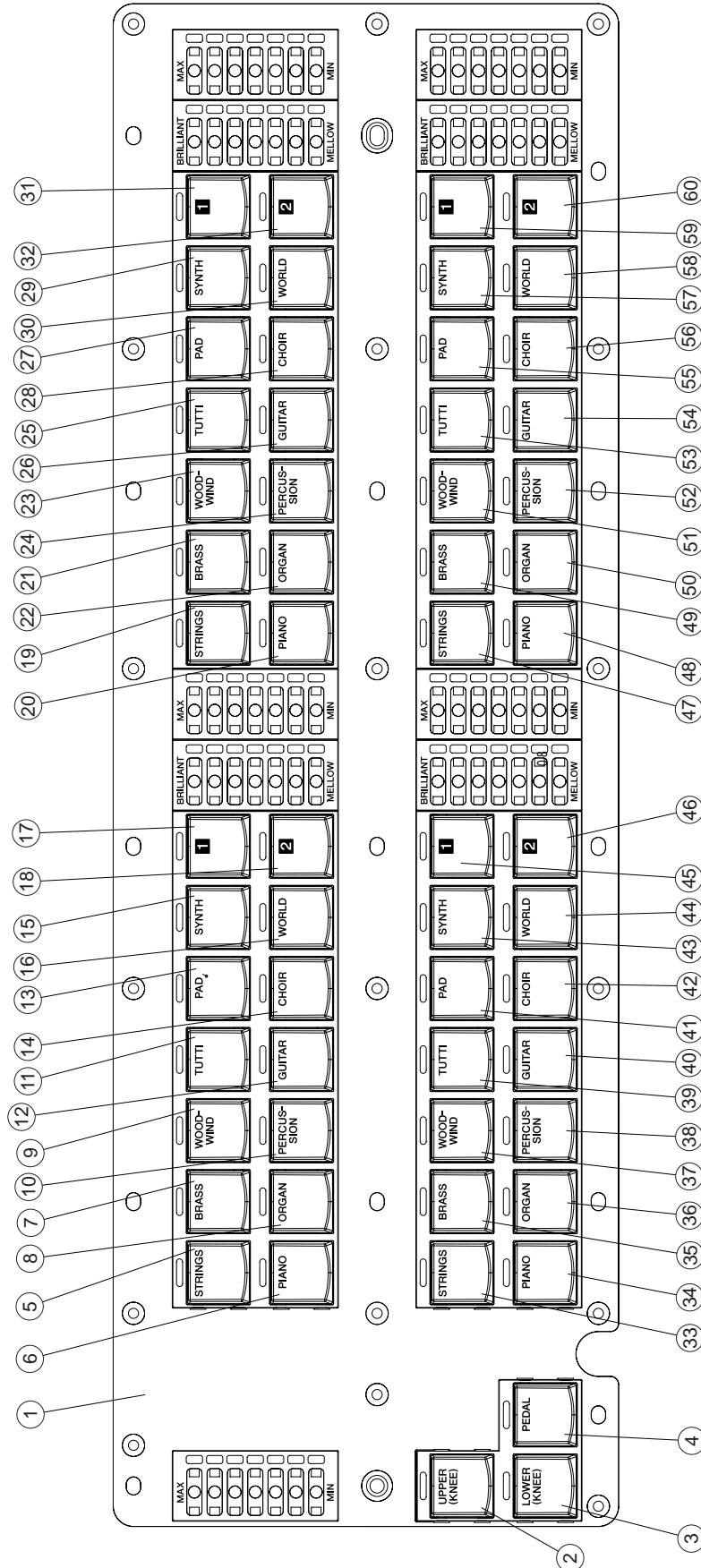
RANK: Japan only

REF NO.	PART NO.	DESCRIPTION	REMARKS	QTY	RANK
* 48	VK098500	Connector Assembly	KRD-KRD 9P-100		05
* 49	WC953000	Connector Assembly	LCD-LF 14P-1200		
49a	VD947800	Data Line Filter	ESD-R-25D-B	2	05
* 50	WB861800	Connector Assembly	MVR2 PH-8P		
* 51	WB862000	Connector Assembly	PSW2		
△ 51a	VC843500	Push Switch	SDDL B1216A J.U.C.S		03
△ 51b	V5800800	Switch Cover			01
52	EP640410	Bind Head Tapping Screw-B	4.0X8 MFZN2Y		01
53	--	GND Wire		(WD10560) 3	
				(WB53430)	
* P1	--	LCD Panel Assembly			
* P2	WB764900	LCD Panel			
* P2	WB528500	Switch Button	SMALL	9	
				VOICE DISPLAY, FOOT SWITCH, VOICE EDIT, A.B.C. M.O.C., UTILITY, PATTERN, MDR, INTERNET, SEQUENCE	
* P3	WB528600	Switch Button	LARGE	3	
				U.ORGAN FLUTES, L.ORGAN FLUTES, ROTARY SP SPEED DISPLAY SELECT	
P4	VJ803100	LED Lens	x3	4	02
* P5	WB764000	Encoder Knob			
* P6	WC299300	Circuit Board	CP3		
* P7	WC299000	Circuit Board	ENC2		
* P8	EP600250	Bind Head Tapping Screw-B	3.0X8 MFZN2Y	12	01
	--	LCD Assembly		(WB87000)	
L1	--	LCD Holder		(WB88640)	
* L2	WB907800	LCD	LQ065Y5DG01 TFT		
* L3	WB832000	Y65VGA	2004EL Y65VGA		
L4	VC069600	Bind Head Tapping Screw-B	2.6X6 MFZN2Y	5	01
L5	EP600130	Bind Head Tapping Screw-B	3.0X6 MFZN2Y	7	01
L6	VH467500	Contact			03
* L7	WC661900	Spacer			
L9	--	Adhesive Tape	ECT 590F 10X30m	(V001450)	
*	WC261300	Cable Kit	PN		
	CB069250	Cord Holder	BK-1	15	01
	VV558400	Cord Binder	AZ-100	15	01
C1	--	Connector Assembly	KRD-KRD 4P-150	(VK10000)	
C2	--	Connector Assembly	KRD-KRD 14P-150	(VK10190)	
C3	--	Connector Assembly	KRD-KRD 6P-250	(VK10390)	
C4	--	Connector Assembly	KRD-KRD 10P-250	(VJ98270)	
C5	VK103700	Connector Assembly	KRD-KRD 4P-250		04
C7	--	Connector Assembly	BL2 PH/XH-5P	(WB86360)	
C8	--	Connector Assembly	TPN2 7P	(WB86090)	
C9	--	Connector Assembly	EBUS KRD-7P	(WB86440)	
C10	--	Connector Assembly	5V KRD-5P	(WB86470)	
C11	--	Connector Assembly	PNV2 XH-6P	(WB86350)	
C14	--	Connector Assembly	MSP2 XH-4P	(WB86230)	

*: New Parts

RANK: Japan only

SWITCH ESCUTCHEON (A) ASSEMBLY (ELS-01/ELS-01C)

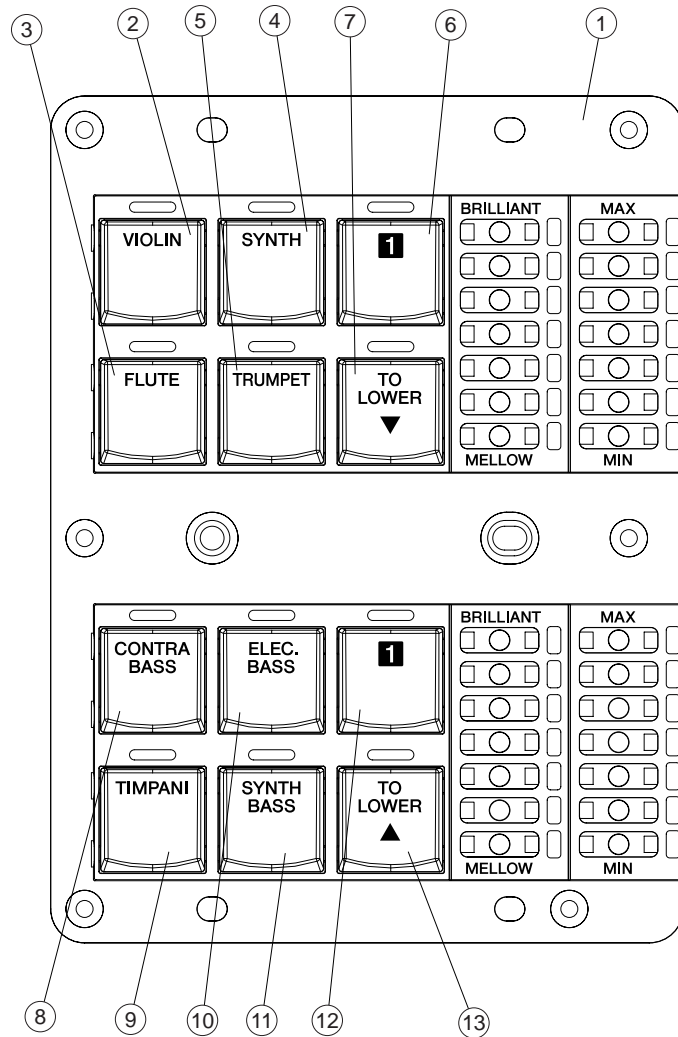


REF NO.	PART NO.	DESCRIPTION		REMARKS	QTY	RANK
*		SWITCH ESCUTCHEON ASSEMBLY	A	ELS-01/ELS-01C		
1	WB533700	Switch Escutcheon Assembly	A			
	--	Switch Escutcheon	A	(WB92410)		
* 2	WB768700	Button		SUSTAIN UPPER(KNEE)		
* 3	WB768800	Button		SUSTAIN LOWER(KNEE)		
* 4	WB768900	Button		SUSTAIN PEDAL		
* 5	WB769000	Button		UK VOICE 1 STRINGS		
* 6	WB769100	Button		UK VOICE 1 PIANO		
* 7	WB769200	Button		UK VOICE 1 BRASS		
* 8	WB769300	Button		UK VOICE 1 ORGAN		
* 9	WB769400	Button		UK VOICE 1 WOODWIND		
* 10	WB769500	Button		UK VOICE 1 PERCUSSION		
* 11	WB769600	Button		UK VOICE 1 TUTTI		
* 12	WB769700	Button		UK VOICE 1 GUITAR		
* 13	WB769800	Button		UK VOICE 1 PAD		
* 14	WB769900	Button		UK VOICE 1 CHOIR		
* 15	WB770000	Button		UK VOICE 1 SYNTH		
* 16	WB770100	Button		UK VOICE 1 WORLD		
* 17	WB770200	Button		UK VOICE 1 1		
* 18	WB770300	Button		UK VOICE 1 2		
* 19	WB770400	Button		UK VOICE 2 STRINGS		
* 20	WB770500	Button		UK VOICE 2 PIANO		
* 21	WB770600	Button		UK VOICE 2 BRASS		
* 22	WB770700	Button		UK VOICE 2 ORGAN		
* 23	WB770800	Button		UK VOICE 2 WOODWIND		
* 24	WB770900	Button		UK VOICE 2 PERCUSSION		
* 25	WB771000	Button		UK VOICE 2 TUTTI		
* 26	WB771100	Button		UK VOICE 2 GUITAR		
* 27	WB771200	Button		UK VOICE 2 PAD		
* 28	WB771300	Button		UK VOICE 2 CHOIR		
* 29	WB771400	Button		UK VOICE 2 SYNTH		
* 30	WB771500	Button		UK VOICE 2 WORLD		
* 31	WB771600	Button		UK VOICE 2 1		
* 32	WB771700	Button		UK VOICE 2 2		
* 33	WB771800	Button		LK VOICE 1 STRINGS		
* 34	WB771900	Button		LK VOICE 1 PIANO		
* 35	WB772000	Button		LK VOICE 1 BRASS		
* 36	WB772100	Button		LK VOICE 1 ORGAN		
* 37	WB772200	Button		LK VOICE 1 WOODWIND		
* 38	WB772300	Button		LK VOICE 1 PERCUSSION		
* 39	WB772400	Button		LK VOICE 1 TUTTI		
* 40	WB772500	Button		LK VOICE 1 GUITAR		
* 41	WB772600	Button		LK VOICE 1 PAD		
* 42	WB772700	Button		LK VOICE 1 CHOIR		
* 43	WB772800	Button		LK VOICE 1 SYNTH		
* 44	WB772900	Button		LK VOICE 1 WORLD		
* 45	WB773000	Button		LK VOICE 1 1		
* 46	WB773100	Button		LK VOICE 1 2		
* 47	WB773200	Button		LK VOICE 2 STRINGS		
* 48	WB773300	Button		LK VOICE 2 PIANO		
* 49	WB773400	Button		LK VOICE 2 BRASS		
* 50	WB773500	Button		LK VOICE 2 ORGAN		
* 51	WB773600	Button		LK VOICE 2 WOODWIND		
* 52	WB773700	Button		LK VOICE 2 PERCUSSION		
* 53	WB773800	Button		LK VOICE 2 TUTTI		
* 54	WB773900	Button		LK VOICE 2 GUITAR		
* 55	WB774000	Button		LK VOICE 2 PAD		
* 56	WB774100	Button		LK VOICE 2 CHOIR		
* 57	WB774200	Button		LK VOICE 2 SYNTH		
* 58	WB774300	Button		LK VOICE 2 WORLD		
* 59	WB774400	Button		LK VOICE 2 1		
* 60	WB774500	Button		LK VOICE 2 2		

*: New Parts

RANK: Japan only

SWITCH ESCUTCHEON (B) ASSEMBLY (ELS-01/ELS-01C)

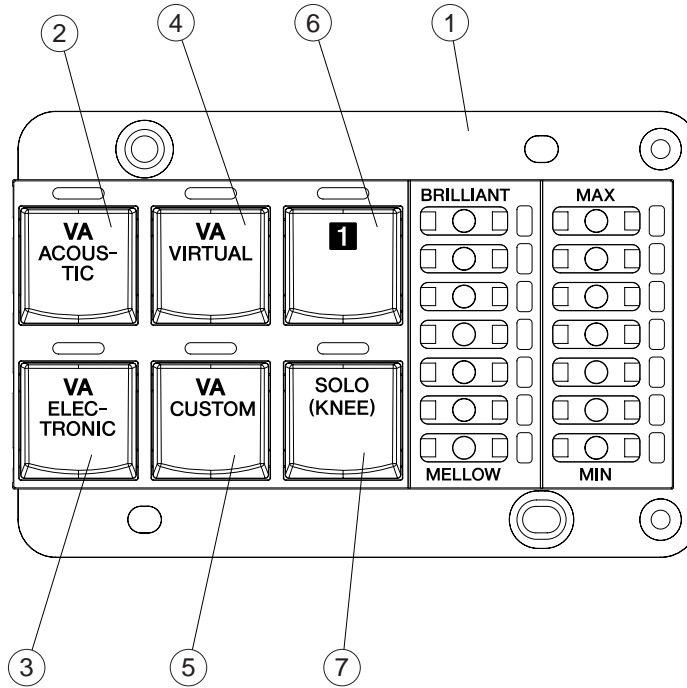


REF NO.	PART NO.	DESCRIPTION		REMARKS	QTY	RANK
		SWITCH ESCUTCHEON ASSEMBLY	B	ELS-01/ELS-01C		
*	WB533800	Switch Escutcheon Assembly	B			
1	--	Switch Escutcheon	B	(WB92420)		
*	WB774600	Button		LEAD VOICE 1 VIOLIN		
*	WB774700	Button		LEAD VOICE 1 FLUTE		
*	WB774800	Button		LEAD VOICE 1 SYNTH		
*	WB774900	Button		LEAD VOICE 1 TRUMPET		
*	WB775000	Button		LEAD VOICE 1 1		
*	WB775100	Button		LEAD VOICE 1 TO LOWER		
*	WB775200	Button		PEDAL VOICE 1 CONTRABASS		
*	WB775300	Button		PEDAL VOICE 1 TIMPANI		
*	WB775400	Button		PEDAL VOICE 1 ELEC. BASS		
*	WB775500	Button		PEDAL VOICE 1 SYNTH BASS		
*	WB775600	Button		PEDAL VOICE 1 1		
*	WB775700	Button		PEDAL VOICE 1 TO LOWER		

*: New Parts

RANK: Japan only

SWITCH ESCUTCHEON (C1) ASSEMBLY (ELS-01/ELS-01C)

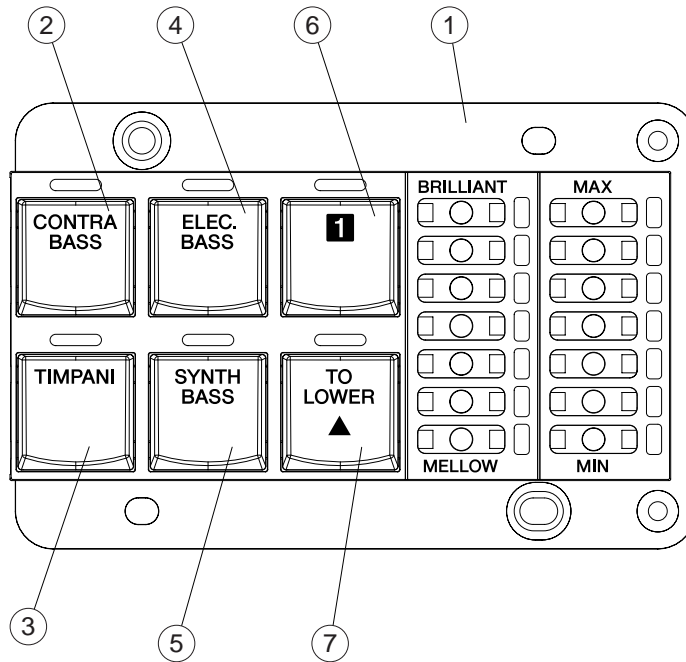


REF NO.	PART NO.	DESCRIPTION		REMARKS	QTY	RANK
	WB533900	SWITCH ESCUTCHEON ASSEMBLY	C1	ELS-01/ELS-01C		
*	--	Switch Escutcheon Assembly	C1			
*	1	Switch Escutcheon	C1	(WB92430)		
*	2	Button		LEAD VOICE 2 VA ACOUSTIC		
*	3	Button		LEAD VOICE 2 VA ELECTRONIC		
*	4	Button		LEAD VOICE 2 VA VIRTUAL		
*	5	Button		LEAD VOICE 2 VA CUSTOM		
*	6	Button		LEAD VOICE 2 1		
*	7	Button		LEAD VOICE 2 SOLO(KNEE)		

*: New Parts

RANK: Japan only

SWITCH ESCUTCHEON (C2) ASSEMBLY (ELS-01/ELS-01C)

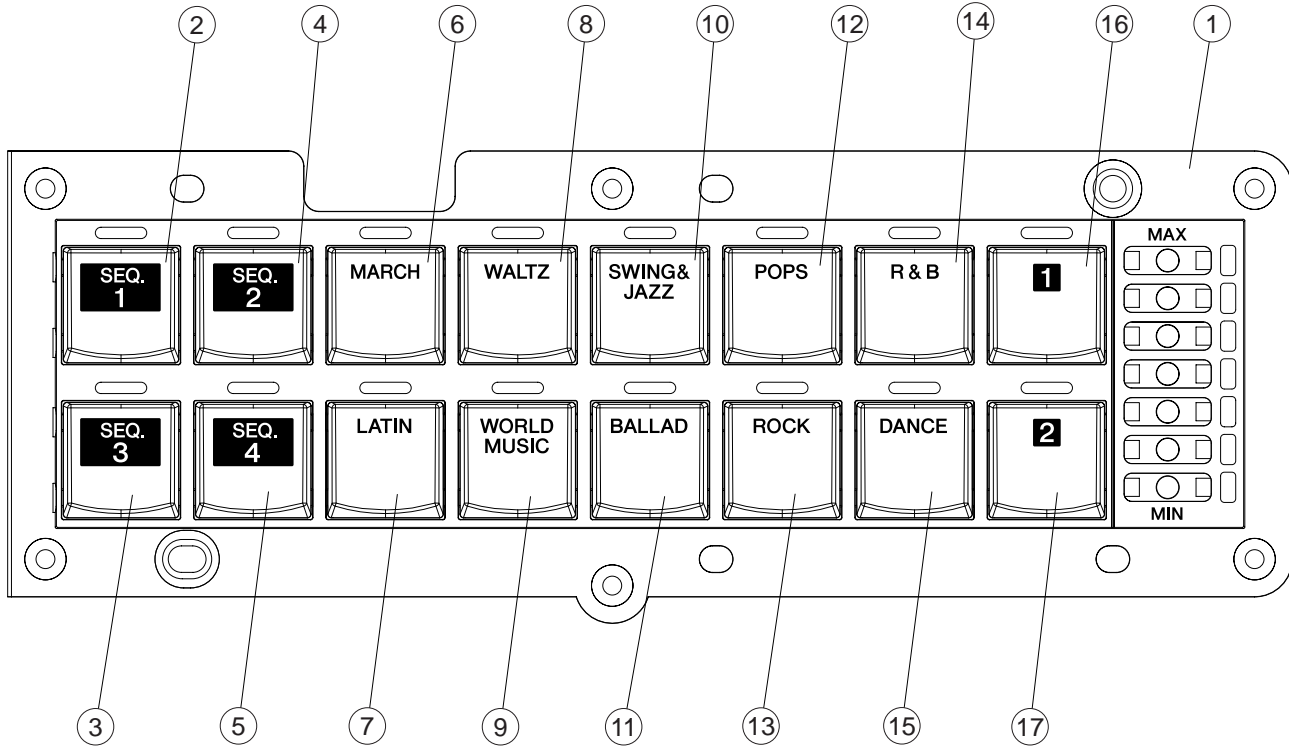


REF NO.	PART NO.	DESCRIPTION		REMARKS	QTY	RANK
*	WB781800	SWITCH ESCUTCHEON ASSEMBLY	C2	ELS-01/ELS-01C		
		Switch Escutcheon Assembly	C2			
1	--	Switch Escutcheon	C2	(WB92440)		
*	WB776400	Button		PEDAL VOICE 2 CONTRABASS		
*	WB776500	Button		PEDAL VOICE 2 TIMPANI		
*	WB776600	Button		PEDAL VOICE 2 ELEC. BASS		
*	WB776700	Button		PEDAL VOICE 2 SYNTH BASS		
*	WB776800	Button		PEDAL VOICE 2 1		
*	WB776900	Button		PEDAL VOICE 2 TO LOWER		

*: New Parts

RANK: Japan only

SWITCH ESCUTCHEON (D) ASSEMBLY (ELS-01/ELS-01C)

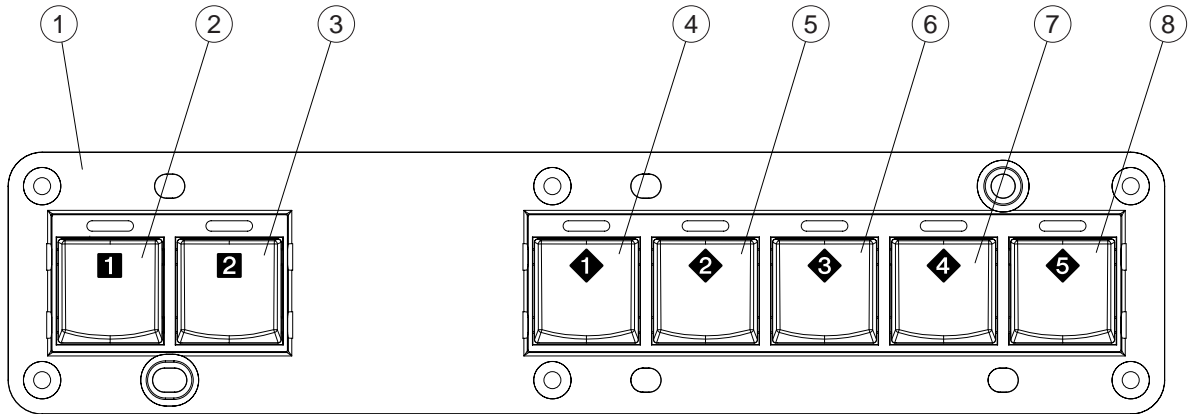


REF NO.	PART NO.	DESCRIPTION		REMARKS	QTY	RANK
	WB534000	SWITCH ESCUTCHEON ASSEMBLY	D	ELS-01/ELS-01C		
*		Switch Escutcheon Assembly	D			
1	--	Switch Escutcheon	D	(WB92450)		
*	WB777000	Button		RHYTHM SEQ.1		
*	WB777100	Button		RHYTHM SEQ.3		
*	WB777200	Button		RHYTHM SEQ.2		
*	WB777300	Button		RHYTHM SEQ.4		
*	WB777400	Button		RHYTHM MARCH		
*	WB777500	Button		RHYTHM LATIN		
*	WB777600	Button		RHYTHM WALTZ		
*	WB777700	Button		RHYTHM WORLD MUSIC		
*	WB777800	Button		RHYTHM SWING&JAZZ		
*	WB777900	Button		RHYTHM BALLAD		
*	WB778000	Button		RHYTHM POPS		
*	WB778100	Button		RHYTHM ROCK		
*	WB778200	Button		RHYTHM R&B		
*	WB778300	Button		RHYTHM DANCE		
*	WB778400	Button		RHYTHM 1		
*	WB778500	Button		RHYTHM 2		

*: New Parts

RANK: Japan only

SWITCH ESCUTCHEON (E) ASSEMBLY (ELS-01/ELS-01C)

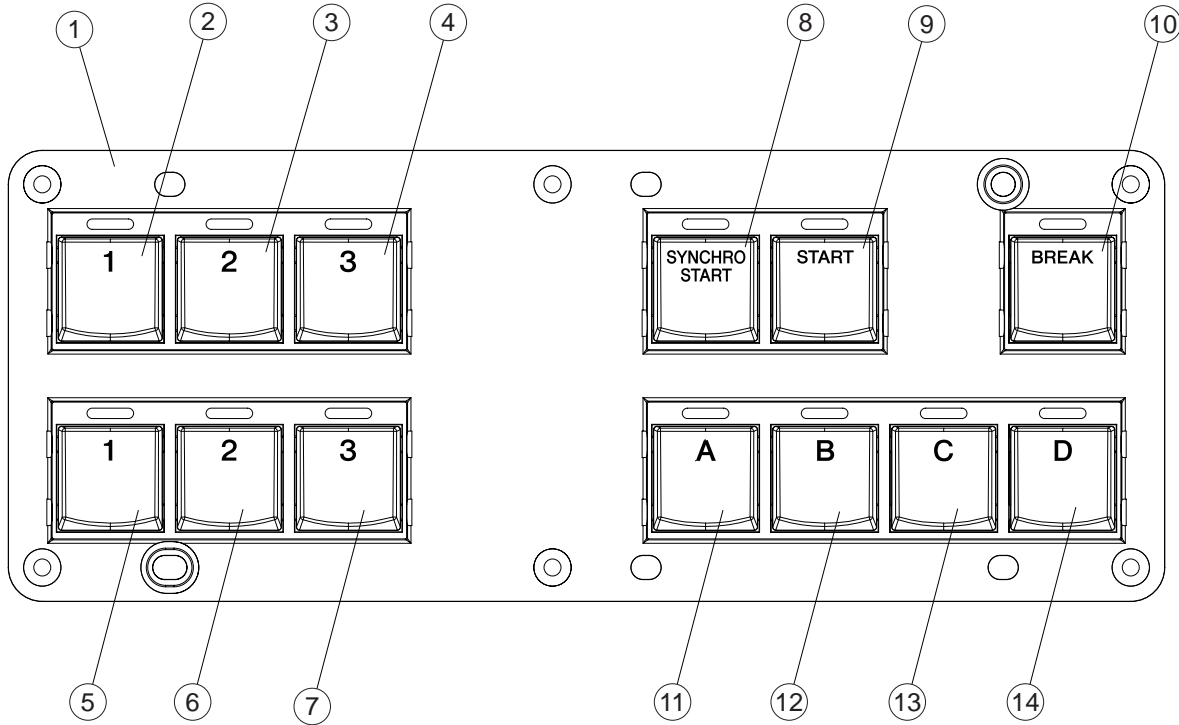


REF NO.	PART NO.	DESCRIPTION		REMARKS	QTY	RANK
*	WB534100	SWITCH ESCUTCHEON ASSEMBLY	E	ELS-01/ELS-01C		
1	--	Switch Escutcheon Assembly	E			
*	WB778600	Button	E	(WB52760)		
*	WB778700	Button		KEYBOARD PERCUSSION 1		
*	WB778800	Button		KEYBOARD PERCUSSION 2		
*	WB778900	Button		REGISTRATION MENU 1		
*	WB779000	Button		REGISTRATION MENU 2		
*	WB779100	Button		REGISTRATION MENU 3		
*	WB779200	Button		REGISTRATION MENU 4		
				REGISTRATION MENU 5		

*: New Parts

RANK: Japan only

SWITCH ESCUTCHEON (F) ASSEMBLY (ELS-01/ELS-01C)

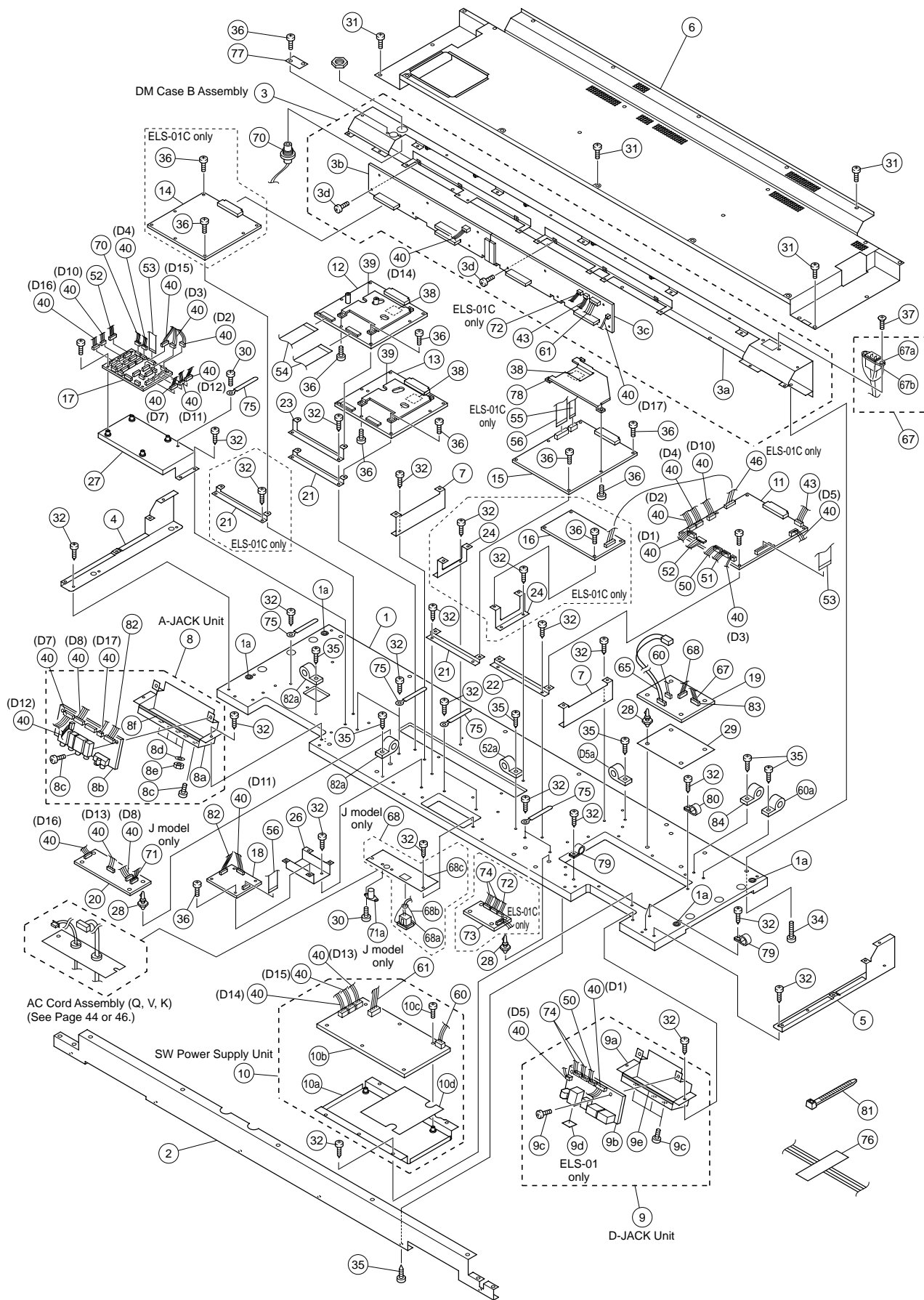


REF NO.	PART NO.	DESCRIPTION		REMARKS	QTY	RANK
*	WB534200	SWITCH ESCUTCHEON ASSEMBLY	F	ELS-01/ELS-01C		
	--	Switch Escutcheon Assembly	F			
*	1	Switch Escutcheon	F	(WB52770)		
*	2	Button		INTRO 1		
*	3	Button		INTRO 2		
*	4	Button		INTRO 3		
*	5	Button		ENDING 1		
*	6	Button		ENDING 2		
*	7	Button		ENDING 3		
*	8	Button		SYNCHRO START		
*	9	Button		START		
*	10	Button		BREAK		
*	11	Button		MAIN/FILL IN A		
*	12	Button		MAIN/FILL IN B		
*	13	Button		MAIN/FILL IN C		
*	14	Button		MAIN/FILL IN D		

*: New Parts

RANK: Japan only

DM BOX UNIT (ELS-01/ELS-01C)



REF NO.	PART NO.	DESCRIPTION		REMARKS	QTY	RANK
	--	DM BOX UNIT		ELS-01/ELS-01C		
	--	DM Box Unit		ELS-01 J (WB86550)		
	--	DM Box Unit		ELS-01 Q,V,K (WD03410)		
	--	DM Box Unit		ELS-01C J (WB86540)		
	--	DM Box Unit		ELS-01C Q,V,K (WD03400)		
* 1	WB865600	DM Board Assembly				
1a	VG074800	Nut	5.0X10 B MFZN2Y		4	01
* 2	WD075300	DM Case F	FRONT	J		
* 2	WB865800	DM Case F	FRONT	Q,V,K		
3	--	DM Case B Assembly	REAR			
3a	--	DM Case B	REAR			
* 3b	WB833200	Circuit Board	MBL			
* 3c	WB833300	Circuit Board	MBR			
3d	EP600130	Bind Head Tapping Screw-B	3.0X6 MFZN2Y			
4	--	DM Case L	LEFT			
5	--	DM Case R	RIGHT			
* 6	WB866500	DM Cover Assembly				
7	--	Holder, DM Cover Assembly				
8	--	A-JACK Unit				
* 8a	WB867800	Angle, Jack				
* 8b	WB857000	Circuit Board	AJACK			
8c	EP600190	Bind Head Tapping Screw-B	3.0X8 MFZN2BL			
8d	VJ869400	Washer Black				
8e	VB508600	Hexagonal Nut	12.0 14X2 MFZN2BL			
8f	--	Nonwoven Fabric Cloth	148X4X0.55			
9	--	D-JACK Unit				
9	--	D-JACK Unit		ELS-01 (WB86770)		
* 9a	WB867900	Angle, Jack		ELS-01C (WB86760)		
* 9b	WB856700	Circuit Board	DJACK			
9c	EP600190	Bind Head Tapping Screw-B	3.0X8 MFZN2BL			
* 9d	WC548100	USB Cover		ELS-01		
9e	--	Nonwoven Fabric Cloth	120X4X0.55			
10	--	SW Power Supply Unit				
10a	--	Chassis, PS				
* 10b	WB501300	Power Supply Unit	CE,U,CS			
10c	EP600190	Bind Head Tapping Screw-B	3.0X8 MFZN2BL			
10d	--	Insulation Sheet				
* 11	WB761700	Circuit Board	DM2-EL			
* 12	WB822500	Circuit Board	TG1-E1			
* 13	WB822600	Circuit Board	TG1-E2			
* 14	WB822700	Circuit Board	TG1-E3	ELS-01C		
15	--	Circuit Board	TG2	ELS-01C (WB85680)		
* 15	WD079300	Circuit Board	TG2A	with Tape		
* 16	WB544600	Circuit Board	VA	ELS-01C		
* 17	WB871900	Circuit Board	TA			
* 18	WC748000	Circuit Board	DAC1A			
* 19	WB743600	Circuit Board	PRM (DM)			
* 20	WB744400	Circuit Board	MSP			
21	--	Holder, DM	1	ELS-01 (WB86680)	2	
21	--	Holder, DM	1	ELS-01C (WB86680)	3	
22	--	Holder, DM	2	(WB86690)		
23	--	Holder, DM	3	(WB86700)		
24	--	Holder, DM	4	ELS-01C (WC37070)	2	
26	--	Holder, DAC1		(WB88860)		
27	--	Angle, TA		(WB88870)		
28	CB046030	Support, PCB	LCBS-04T			
29	--	Insulation Sheet				
30	EP600130	Bind Head Tapping Screw-B	3.0X6 MFZN2Y			
31	EG330040	Bind Head Screw	3.0X6 MFZN2Y			
32	EP030240	Bind Head Tapping Screw-1	3.5X12 MFZN2Y	ELS-01		
32	EP030240	Bind Head Tapping Screw-1	3.5X12 MFZN2Y	ELS-01C		
34	V2173700	Truss Head Tapping Screw-B	4.0X20 MFZN2BL			
35	EP030250	Bind Head Tapping Screw-1	3.5X14 MFZN2BL			
36	EP600190	Bind Head Tapping Screw-B	3.0X8 MFZN2BL	ELS-01		
36	EP600190	Bind Head Tapping Screw-B	3.0X8 MFZN2BL	ELS-01C		
37	VB939700	Flat Head Screw	3.0X8 MFZN2BL			
* 38	WC324400	Insulation Sheet				
* 39	WC292000	Heat Sink				
40	--	Cable Kit	DM			
43	--	Connector Assembly	KRD-KRD 4P-100			

*: New Parts

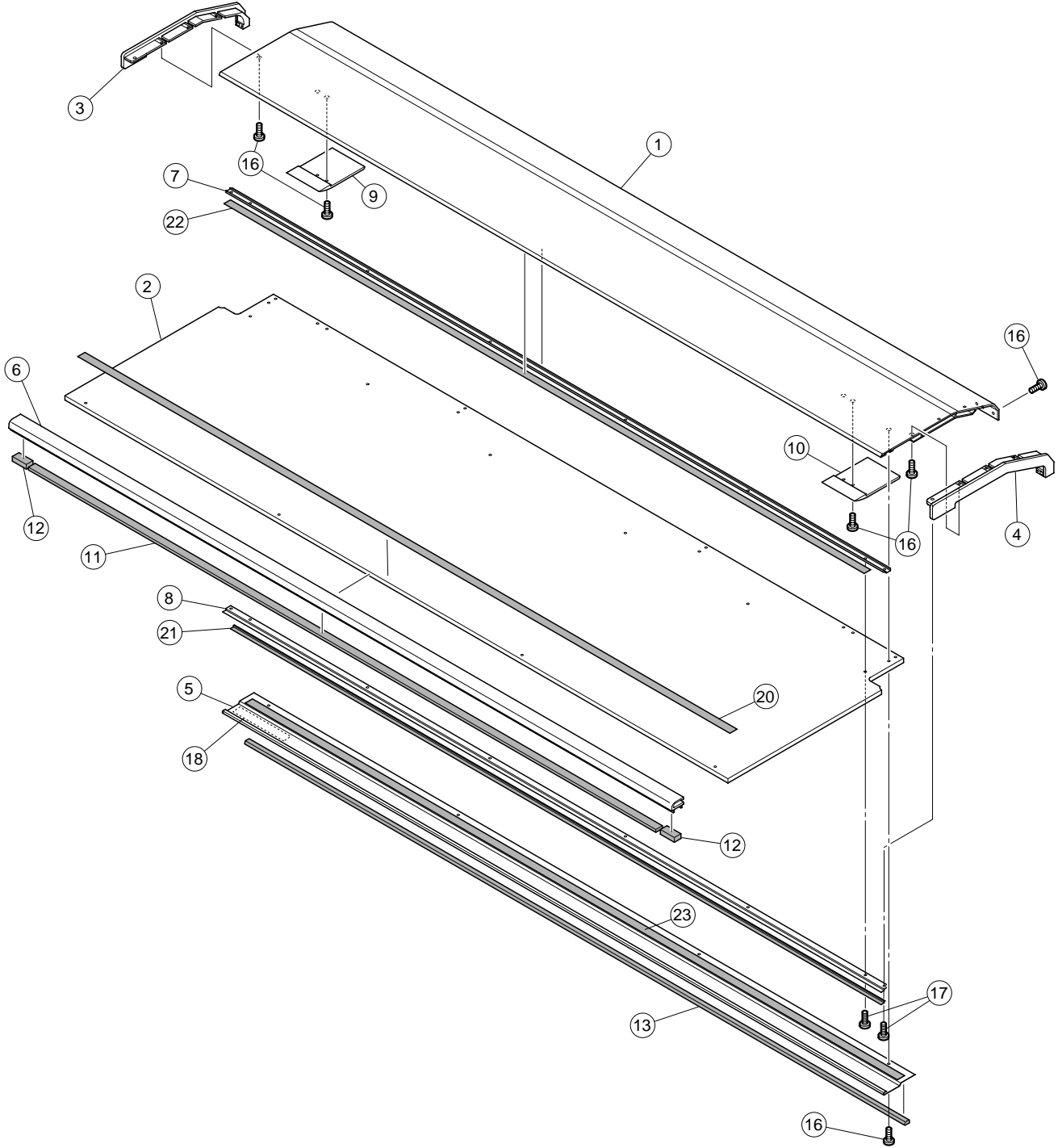
RANK: Japan only

REF NO.	PART NO.	DESCRIPTION	REMARKS	QTY	RANK
46	VK098800	Connector Assembly	KRD-KRD 12P-100		05
50	WA249700	Connector Assembly	USB YAF11-1091	ELS-01C	
51	--	USB Cable	USB L=400 6P	ELS-01 (WC54880)	
51	--	USB Cable	USB L=200 6P	ELS-01C (WC03230)	
52	--	Connector Assembly	LCD-LF 14P-900	(WC52230)	
52a	VD947800	Data Line Filter	ESD-R-25D-B		05
* 53	WB860700	Cable	24P 850mm P=1.0		2
* 54	WB860600	Cable	50P 60mm P=0.5	ELS-01C	
* 55	WC626700	Cable	8P 100mm P=1.0		
* 56	WB865200	Cable	26P 250mm P=1.0		
60	--	Connector Assembly	AC VH-3P L=380	(WB86250)	
60a	VD947800	Data Line Filter	ESD-R-25D-B		05
61	--	Connector Assembly	VDD1 VH-7P	(WB86300)	
⚠ * 65	WB861900	Connector Assembly	PSW1 VH-5P		
⚠ * 67	--	Connector Assembly	ACI VH-4P L=270	(WB86370)	
⚠ * 67a	LB201860	Connector, AC Inlet	SOT-17		03
67b	VE469200	Plug Cover			04
68	--	Connector Assembly	ACO VH-6P	J (WB86400)	
68a	WB753200	AC Outlet	S2-723B-00	J: SWITCHED 200W MAX	
⚠ * 68b	VE469200	Plug Cover		J	04
68c	--	Panel, AC Outlet		J (WB88780)	
* 70	WB862400	Cable	7		
* 71	WB861300	Cable	4 PH-5P/DIN 6P	J	
71a	--	DIN Connector	6P TCS0260	J: TO SPEAKER (WC34980)	
72	--	Connector Assembly	HUB PH-4P/5P	ELS-01C (WC27190)	
* 73	WB922900	Circuit Board	HUB	ELS-01C	
74	--	USB Cable	USB L=200 6P	ELS-01C (WC03230)	2
75	CB817510	Cord Binder	S-14B		11 03
76	22764900	Adhesive Tape	12X50m		08
* 77	WC548200	Connector Cover			
* 78	WC548000	Heat Sink			
79	CB065520	Nylon Clamp	NK-3N		3 01
80	CB000710	Nylon Clamp	NK-5N		01
81	CB069250	Cord Holder	BK-1		4 01
82	--	Connector Assembly	AJK-LF 11P-600	(WD00860)	
82a	VD947800	Data Line Filter	ESD-R-25D-B		2 05
83	LB015040	Connector Housing	VH-4P		01
84	VD947800	Data Line Filter	ESD-R-25D-B		05
	--	Cable Kit	DM	(WC26120)	
	CB069250	Cord Holder	BK-1		9 01
	VV558400	Cord Binder	AZ-100		9 01
D1	VK112500	Connector Assembly	KRD-KRD 9P-500		05
D2	--	Connector Assembly	KRD-KRD 4P-600	(VK11490)	
D3	--	Connector Assembly	KRD-KRD 3P-700	(VK11780)	
D4	--	Connector Assembly	KRD-KRD 7P-650	(VK11670)	
D5	--	Connector Assembly	OPT-LF PH-3P	(WC52260)	
D5a	VD947800	Data Line Filter	ESD-R-25D-B		05
D7	--	Connector Assembly	KRD-KRD 6P-250	(VK10390)	
D8	--	Connector Assembly	KRD-KRD 10P-350	(VK10840)	
D10	--	Connector Assembly	TPN1 7P	(WB86080)	
D11	--	Connector Assembly	MIC1 PH-5P	(WB86140)	
D12	--	Connector Assembly	MVR1 PH-8P	(WB86170)	
D13	--	Connector Assembly	12V VH-3P	(WB86330)	
D14	--	Connector Assembly	VDD2 VH-4P	(WB86320)	
D15	--	Connector Assembly	PNV1 VH-5P	(WB86340)	
D16	--	Connector Assembly	MSP1 XH-4P	(WB86220)	
D17	--	Connector Assembly	MUTE XH-2P	(WB91210)	

*: New Parts

RANK: Japan only

KEY COVER ASSEMBLY (ELS-01/ELS-01C)

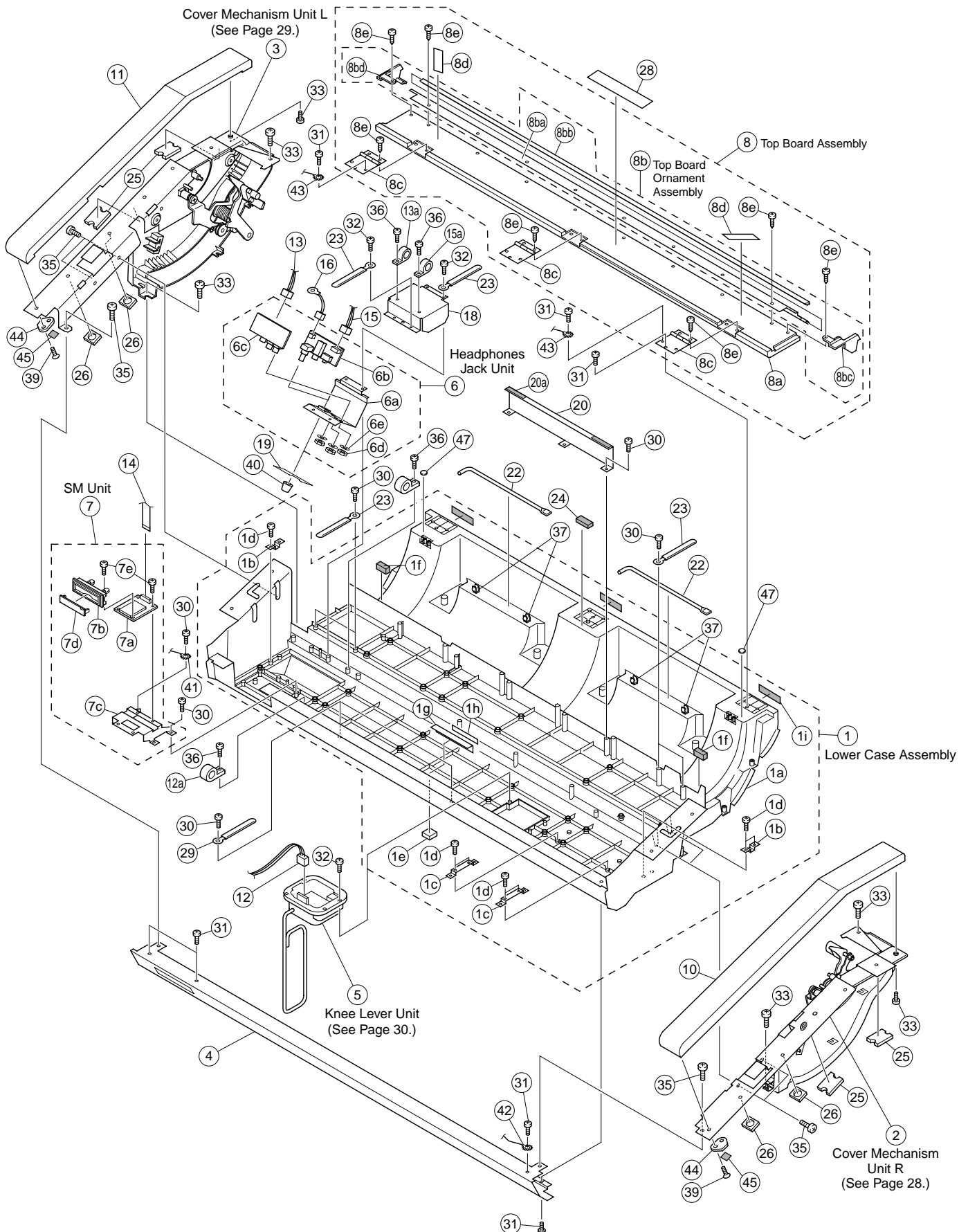


REF NO.	PART NO.	DESCRIPTION		REMARKS	QTY	RANK
		KEY COVER ASSEMBLY		ELS-01/ELS-01C		
*	WB538400	Key Cover Assembly				
*	1 WB487500	Keyboard Cover				
*	2 WB537100	Key Cover				
*	3 WC288800	Side Plate L	LEFT			
*	4 WC288900	Side Plate R	RIGHT			
*	5 WB743100	Lid Ornament Gray				
*	6 WB743300	Metal Sash				
*	7 WB819900	Cover Support Rail	1.0			
*	8 WB820000	Lid Ornament Rail	1.0			
*	9 WC543300	Cover Guide L Light Gray	LEFT			
*	10 WC543400	Cover Guide R Light Gray	RIGHT			
*	11 --	Cushion Tape Gray		(WB90150)		
*	12 WC289000	Button			2	
*	13 WD003500	Felt				
	16 VI652100	Bind Head Tapping Screw-P	3.0X6 MFCR33BL		29	01
	17 VJ955700	Bind Head Screw	3.0X7 MFZN2Y		8	01
	18 --	Label		(WD05300)		
	20 --	Vibration-proof Tape	1065X14XT0.25	(WB90110)		
	21 --	Vibration-proof Tape	1065X8XT0.35	(WB90120)		
	22 --	Vibration-proof Tape	1065X7XT0.5	(WB90130)		
	23 --	Vibration-proof Tape	1100X15XT0.5	(WB90140)		

*: New Parts

RANK: Japan only

LOWER CASE UNIT (ELS-01/ELS-01C)

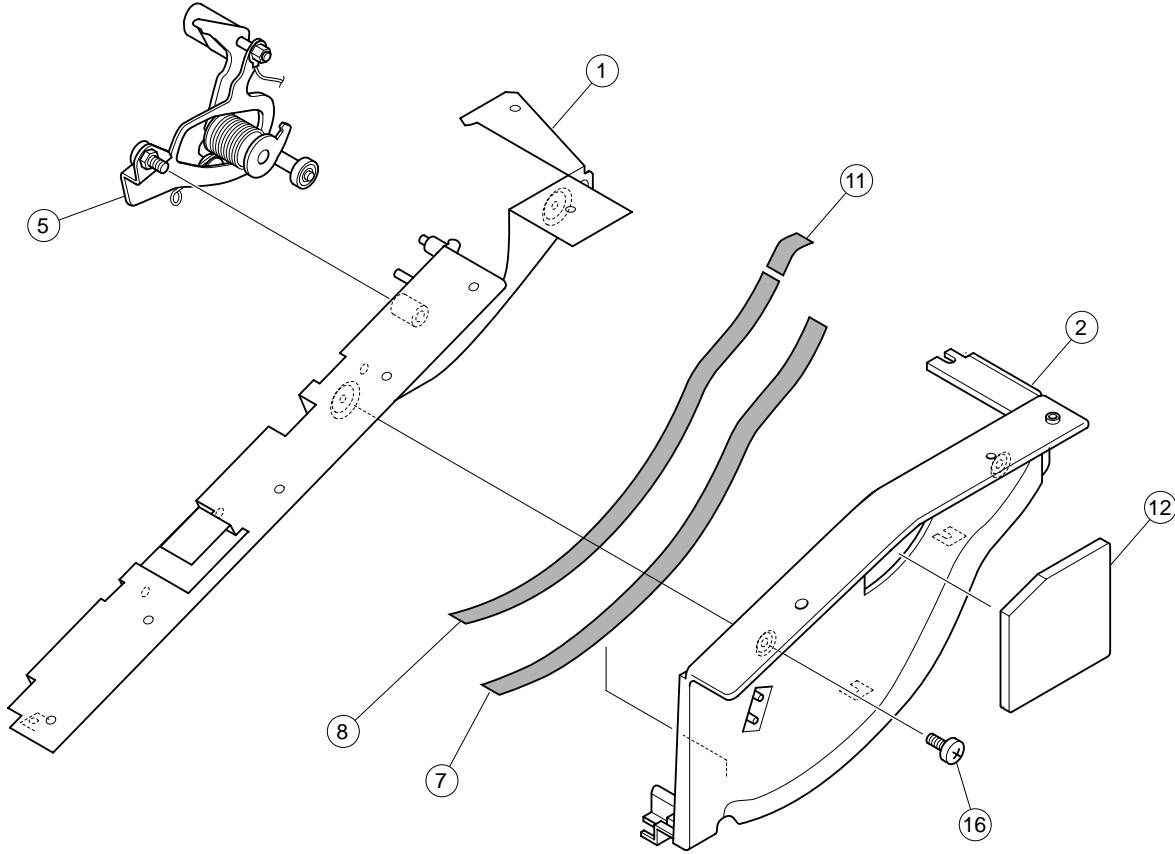


REF NO.	PART NO.	DESCRIPTION		REMARKS	QTY	RANK
		LOWER CASE UNIT		ELS-01/ELS-01C		
* 1	--	Lower Case Unit		(WB53830)		
	WB910100	Lower Case Assembly				
1a	--	Lower Case		(WB53720)		
* 1b	WC499600	Holder, Upper Unit			2	
* 1c	WC324200	Holder, FDD			2	
1d	EP600250	Bind Head Tapping Screw-B	3.0X8 MFZN2Y		8	01
* 1e	WC500800	Cushion, Knee Lever				
* 1f	WC908700	Cushion	PORON H-32		2	
1g	--	Electrical Adhesive Tape	TC-A40E 40X20m	(V604530)		
1h	--	Soft Gasket	L=100	(WD04530)		
* 1i	WD103200	Lock Fastener Black	100X10		3	
* 2	WB538600	Cover Mechanism Unit R	RIGHT			
* 3	WB911200	Cover Mechanism Unit L	LEFT			
* 4	WB909700	Front Rail				
* 5	WB796500	Knee Lever Unit				
6	--	Headphones Jack Unit		(WB90790)		
* 6a	WB908500	HPJ Cover				
* 6b	WD052700	Circuit Board	MIC			
* 6c	WC247200	Circuit Board	HP			
6d	VB508600	Hexagonal Nut	12.0 14X2 MFZN2BL		3	01
6e	VJ869400	Washer Black			3	02
7	--	SM Unit		(WB91040)		
* 7a	WB704100	Circuit Board	SM			
* 7b	WB914700	Escutcheon, Smart Media				
7c	--	SM Support		(WB91510)		
* 7d	WB914900	SM Cover				
7e	EG330040	Bind Head Screw	3.0X6 MFZN2Y		4	01
* 8	WB538500	Top Board Assembly				
* 8a	WC909200	Top Board				
* 8b	WC909100	Ornament, Top Board Assembly				
8ba	--	Ornament, Top Board		(WB75410)		
8bb	--	Cushion Rail		(WB90170)		
* 8bc	WC194000	Cover Slider R	LIGHT GRAY			
* 8bd	WC194100	Cover Slider L	LIGHT GRAY			
* 8c	WB537800	Hinge			3	
8d	--	Electrical Adhesive Tape	TC-A40E 25X20m	(V409520)		
8e	EP030250	Bind Head Tapping Screw-1	3.5X14 MFZN2BL		16	01
* 10	WC908200	Arm R	RIGHT			
* 11	WC908300	Arm L	LEFT			
* 12	WD008500	Connector Assembly	KNEE-LF 4P-1200			
12a	VD947800	Data Line Filter	ESD-R-25D-B			05
13	--	Connector Assembly	HP-LF 6P-550	(WD00830)		
13a	VD947800	Data Line Filter	ESD-R-25D-B			05
* 14	WB865300	Cable	24P 300mm P=1.0			
* 15	WD008400	Connector Assembly	MIC-2-LF PH-5P			05
15a	VD947800	Data Line Filter	ESD-R-25D-B			
16	--	Connector Assembly	MIC-GND PH-2P	(WB87260)		
18	--	Cover, HPJ Unit		(WC63220)		
* 19	WC289300	Label, HPJ				
20	--	Support Metal Assembly		(WC26930)		
20a	--	Skin	45X8X0.8	(WC86730)		
* 22	WC294600	Support, Rod			2	
23	CB817510	Cord Binder	S-14B		6	03
24	VU346500	Felt Black				03
25	--	Cushion	A	(WD00390)	4	
26	--	Cushion	B	(WD00410)	4	
28	--	Label		(WD05320)		
29	CB829850	Cord Binder	S-34Z		2	03
30	EP600250	Bind Head Tapping Screw-B	3.0X8 MFZN2Y		9	01
31	EP600190	Bind Head Tapping Screw-B	3.0X8 MFZN2BL		10	01
32	EP600140	Bind Head Tapping Screw-B	3.0X10 MFZN2BL		8	01
33	VA914400	Bind Head Tapping Screw-B	4.0X12 MFZN2Y		18	01
* 35	WC292800	Bind Head Screw	5.0X8 MFZN2BL		6	
36	WB086700	PW Head Tapping Screw-B	3.0X8-8 MFZN2Y		4	
37	--	Holder	A-1 3R48	(WC95550)	4	
38	VJ770600	Cord Binder	S-126			
* 39	WD272400	Flat Head Tapping Screw-B	4.0X16 MFZN2Y		2	
40	CB028970	Knob Black		INPUT VOLUME MIN/MAX		03
41	--	GND Wire		(WD10620)		
42	--	GND Wire		(WD10630)		
43	--	GND Wire		(WD10640)		
44	CB006650	Foot			2	03
* 45	WD273600	Rubber Foot Black			2	
47	--	Top Board Fabric		(WD28260)	2	

*: New Parts

RANK: Japan only

COVER MECHANISM UNIT R (ELS-01/ELS-01C)

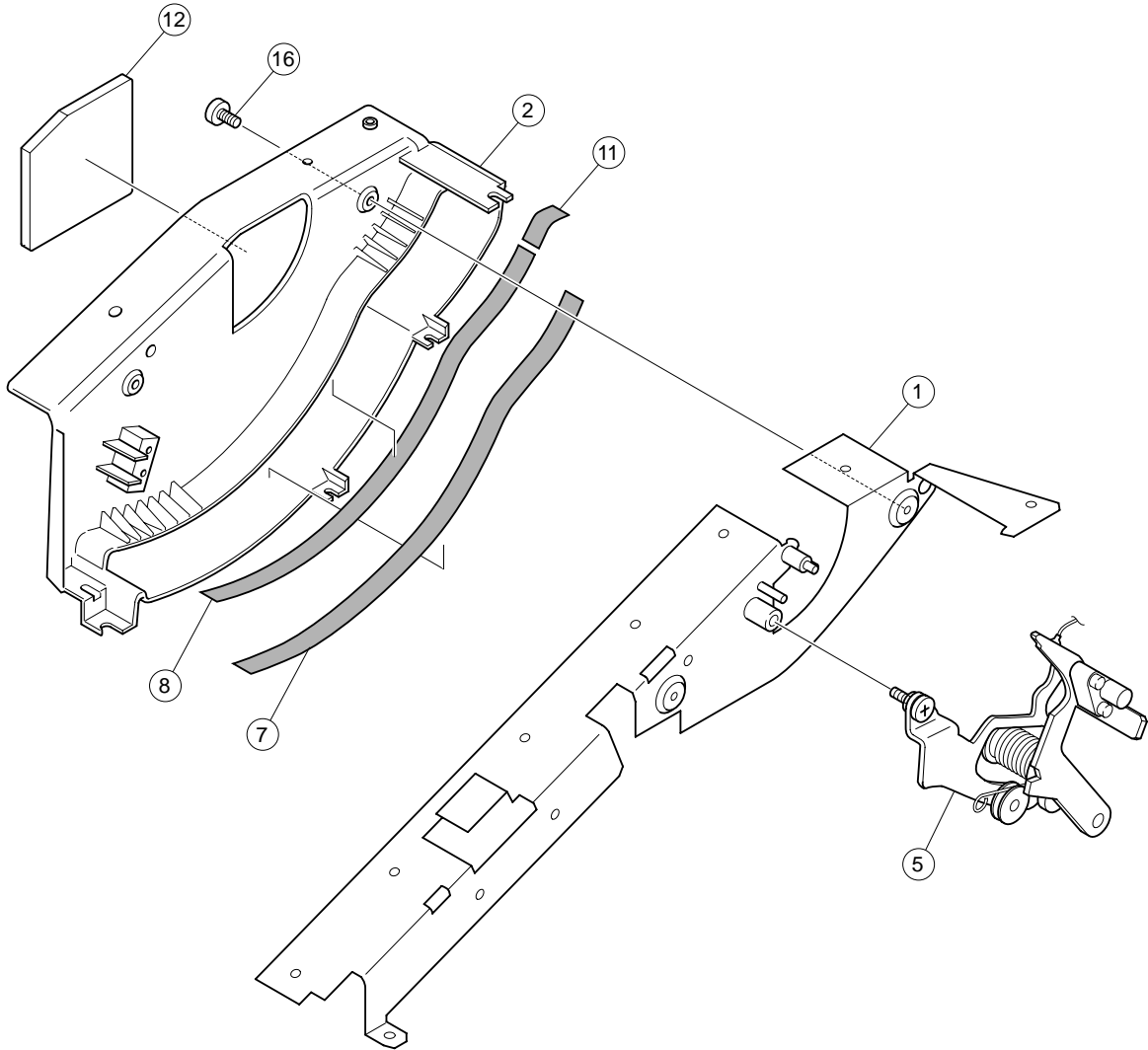


REF NO.	PART NO.	DESCRIPTION		REMARKS	QTY	RANK
		COVER MECHANISM UNIT R		ELS-01/ELS-01C		
*	WB538600	Cover Mechanism Unit R	RIGHT			
	1	Angle, Arm R	RIGHT	(WB47750)		
	2	Wheel Guide R	RIGHT	(WB47770)		
*	WB902900	Shaft Unit R	RIGHT			
*	WC587400	Skin				
*	WC909300	Skin				
*	WC909400	Cushion	W/G			
	12	Wheel Guide Cover R	RIGHT	(WD01480)		
*	WC292800	Bind Head Screw	5.0X8 MFZN2BL		2	

*: New Parts

RANK: Japan only

COVER MECHANISM UNIT L (ELS-01/ELS-01C)

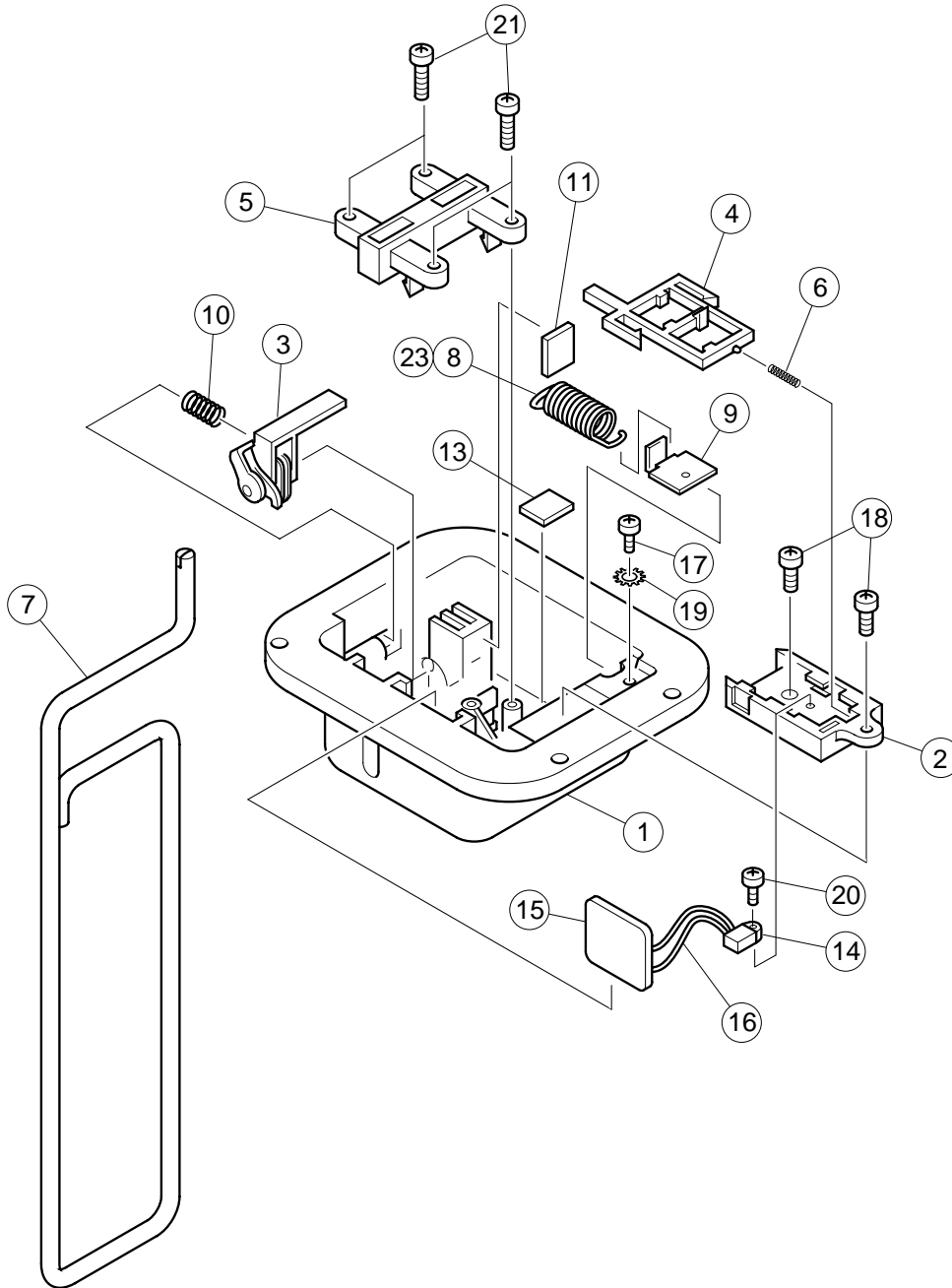


REF NO.	PART NO.	DESCRIPTION		REMARKS	QTY	RANK
*	WB911200	COVER MECHANISM UNIT L	LEFT	ELS-01/ELS-01C		
		Cover Mechanism Unit L	LEFT			
	1	Angle, Arm L	LEFT	(WB91640)		
	2	Wheel Guide L	LEFT	(WB91650)		
*	5	Shaft Unit L	LEFT			
*	7	Skin				
*	8	Skin				
*	11	Cushion	W/G			
	12	Wheel Guide Cover L	LEFT	(WD01490)		
*	16	Bind Head Screw	5.0X8 MFZN2BL		2	

*: New Parts

RANK: Japan only

■ KNEE LEVER UNIT (ELS-01/ELS-01C)

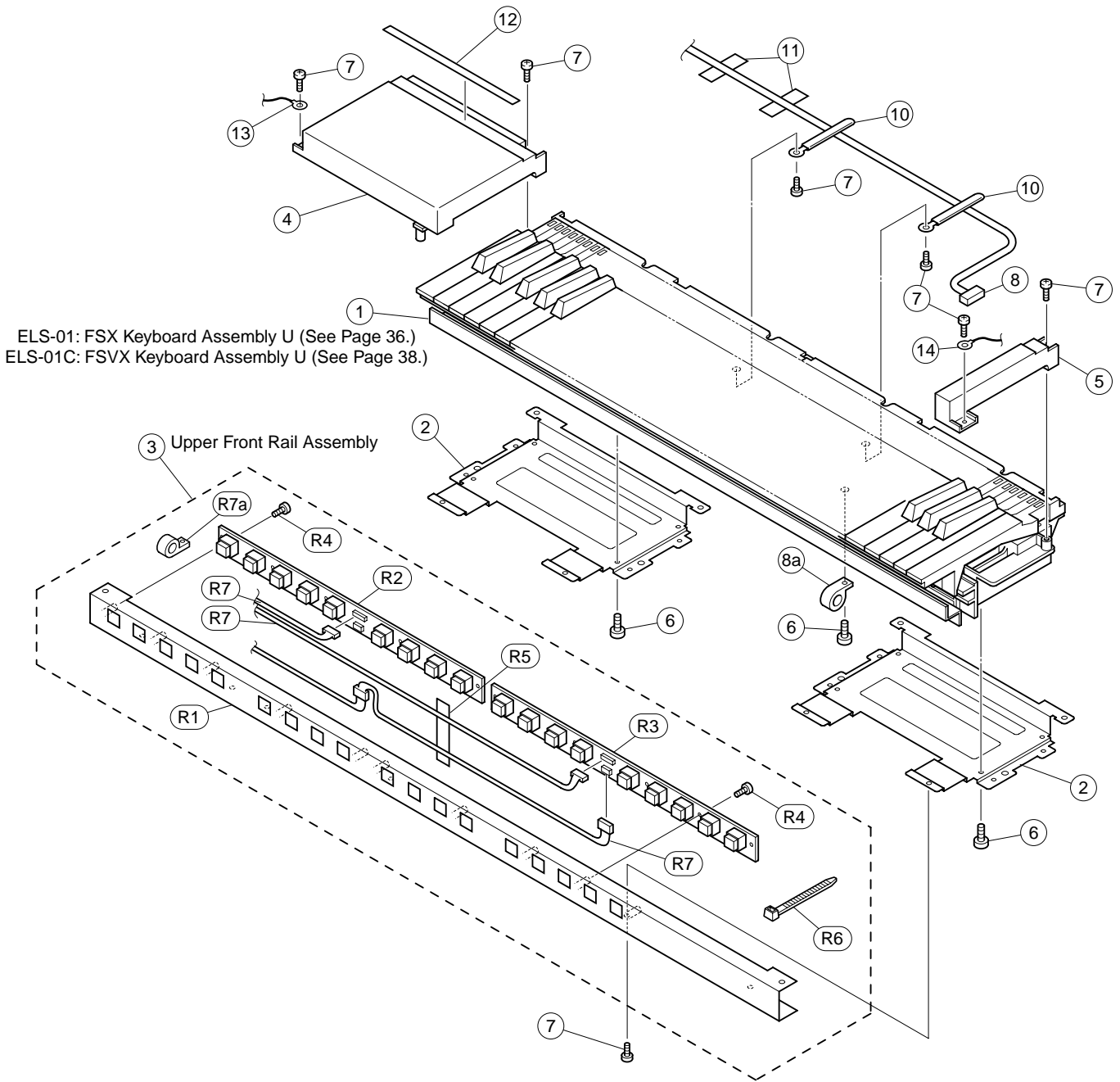


REF NO.	PART NO.	DESCRIPTION		REMARKS	QTY	RANK
		KNEE LEVER UNIT		ELS-01/ELS-01C		
*	WB796500	Knee Lever Unit				
*	1 WB796400	Case				
*	2 WC667300	Case Block Gray				
	3 VB445200	Actuator				02
	4 VB445300	Actuator Switch				01
*	5 WC355300	Holder				
	6 VB512500	Coil Spring				01
*	7 WB796300	Knee Lever				
	8 VB658300	Spring	L=18			03
	9 AA046030	Hook				01
	10 AA046050	Coil Spring				03
	11 VB513100	Felt Black	10X10X2			03
	13 VB513300	Bunpon Black				01
	14 VA228500	Micro Switch	SPPB13001A	Knee Lever		01
	15 VJ965800	Circuit Board	KNELEV			03
	16 --	Connector Assembly	12P	(VB51370)		
	17 EG330040	Bind Head Screw	3.0X6 MFZN2Y			01
	18 EP600280	Bind Head Tapping Screw-P	3.0X8 MFZN2Y		2	01
	19 ET900010	Toothed Lock Washer-B	3.0 MFZN2Y			01
	20 VA226000	Pan Head Tapping Screw-P	2.0X8 MFZN2BL			01
	21 VB658700	Bind Head Tapping Screw-P	3.0X14 MFZN2Y		4	01
	23 --	Grease	G-902	(VA01020)		

*: New Parts

RANK: Japan only

■ UPPER KEYBOARD UNIT (ELS-01/ELS-01C)

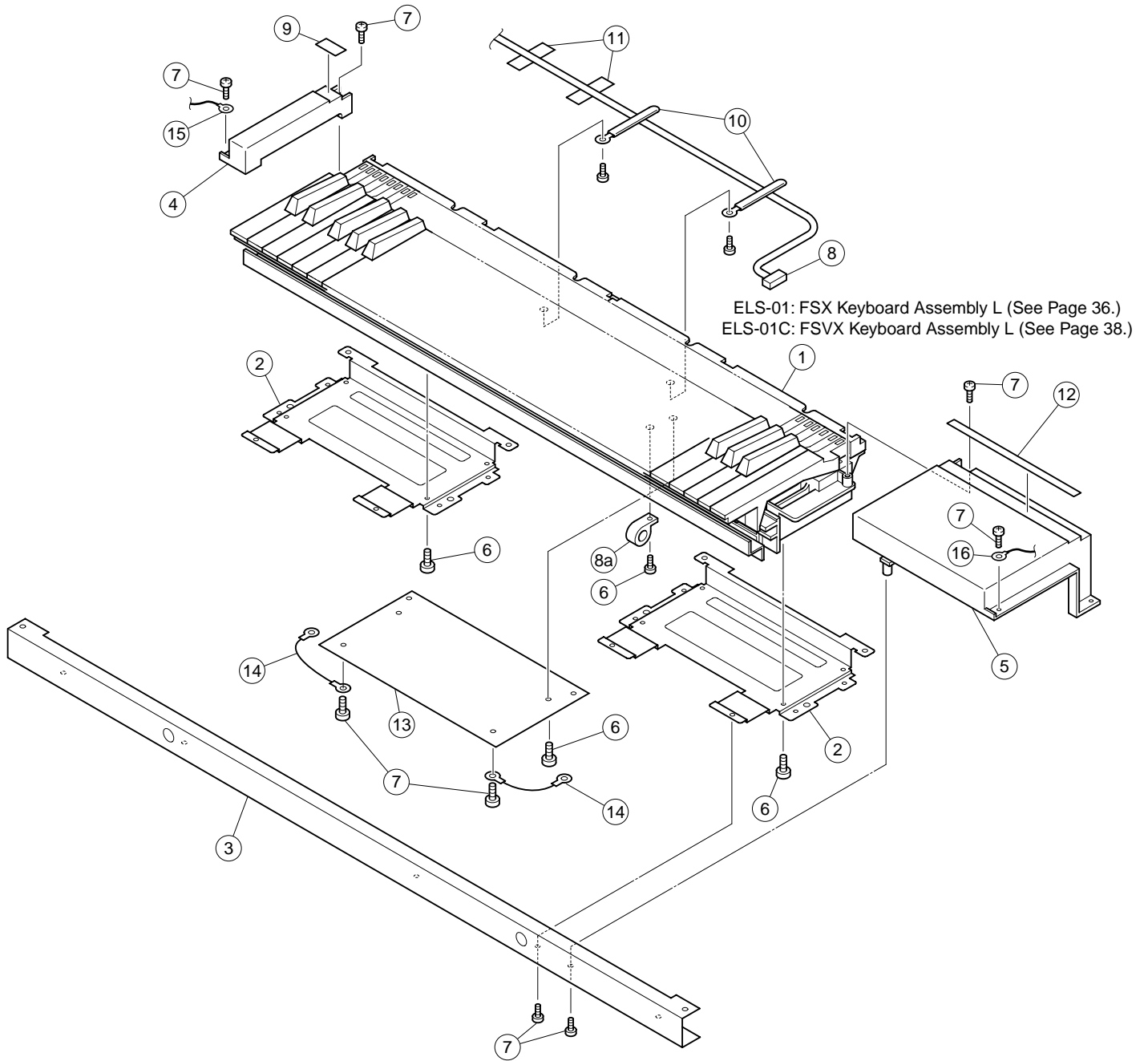


REF NO.	PART NO.	DESCRIPTION		REMARKS	QTY	RANK
		UPPER KEYBOARD UNIT	FSX	ELS-01		
		UPPER KEYBOARD UNIT	FSVX	ELS-01C		
	--	Upper Keyboard Unit	FSX	ELS-01 (WB88390)		
	--	Upper Keyboard Unit	FSVX	ELS-01C (WB53960)		
* 1	WB767700	FSX Keyboard Assembly U	C49 K12 FSX	ELS-01		
* 1	WB767600	FSVX Keyboard Assembly U	C49 K12 FSVX	ELS-01C		
2	--	LK Support			(WB17410)	2
3	--	Upper Front Rail Assembly			(WB53660)	
* 4	WB884300	End Block UK	LEFT			
* 5	WB884400	End Block UK	RIGHT			
6	EP640410	Bind Head Tapping Screw-B	4.0X8 MFZN2Y			9 01
7	EP600250	Bind Head Tapping Screw-B	3.0X8 MFZN2Y			11 01
* 8	WD024300	Connector Assembly	UK-LF 7P-1150			
8a	VD947800	Data Line Filter	ESD-R-25D-B			05
10	CB829850	Cord Binder	S-34Z			2 03
11	VP834600	Adhesive Tape	12X50			3 02
12	--	Cushion	178X6X2		(WC87320)	
13	--	GND Wire			(WD10590)	
14	--	GND Wire			(WD10570)	
	--	Upper Front Rail Assembly			(WB53660)	
* R1	WB536700	Upper Front Rail				
* R2	WC300000	Circuit Board	PS1			
* R3	WC300100	Circuit Board	PS2			
R4	EP600130	Bind Head Tapping Screw-B	3.0X6 MFZN2Y			10 01
R5	VP834600	Adhesive Tape	12X50			02
R6	CB069250	Cord Holder	BK-1			8 01
* R7	WD042200	Connector Assembly	PS-LF 9P/10P/11P			
R7a	VD947800	Data Line Filter	ESD-R-25D-B			05

*: New Parts

RANK: Japan only

■ LOWER KEYBOARD UNIT (ELS-01/ELS-01C)

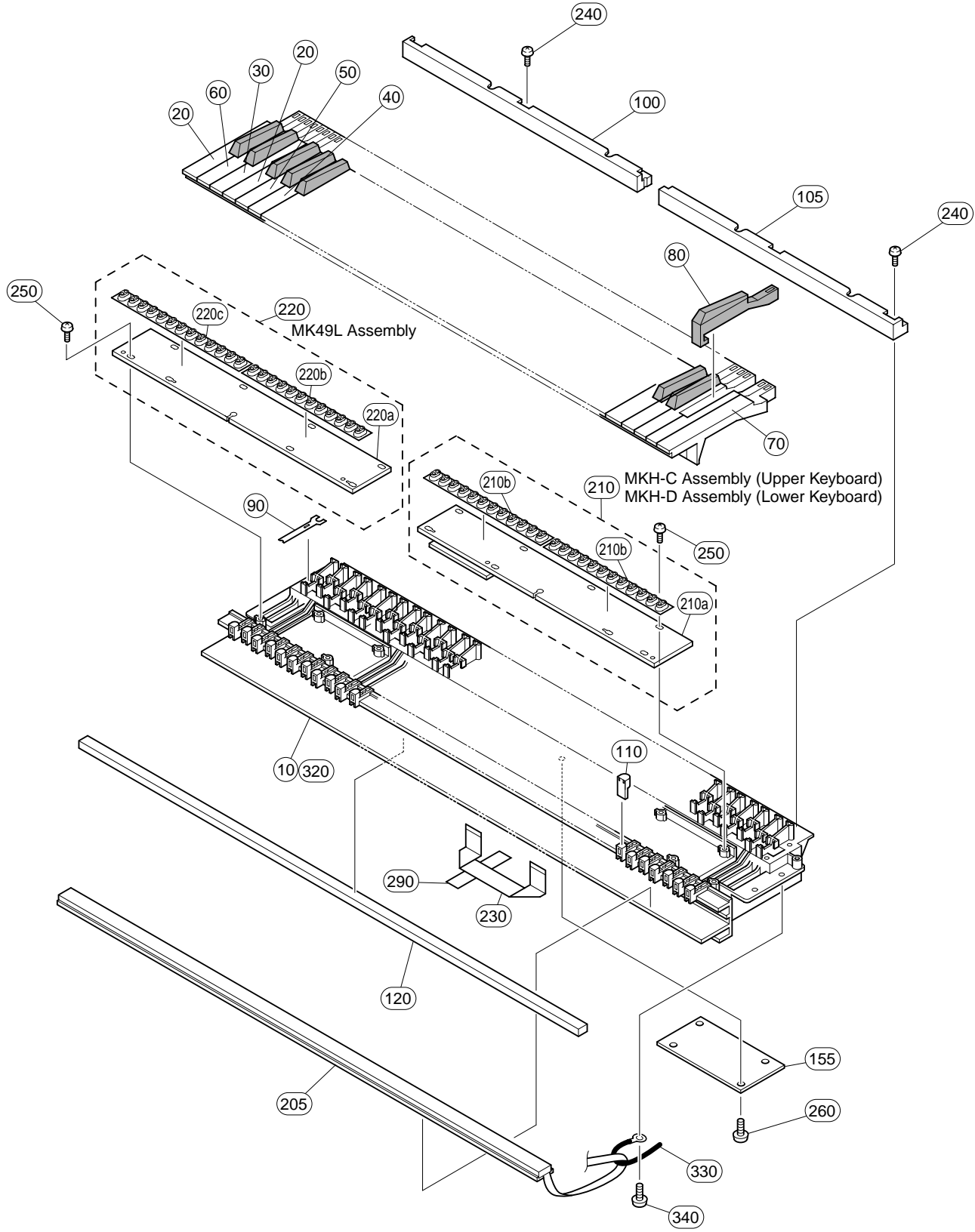


REF NO.	PART NO.	DESCRIPTION		REMARKS	QTY	RANK
		LOWER KEYBOARD UNIT	FSX	ELS-01		
		LOWER KEYBOARD UNIT	FSVX	ELS-01C		
	--	Lower Keyboard Unit	FSX	ELS-01 (WB88400)		
	--	Lower Keyboard Unit	FSVX	ELS-01C (WB53970)		
* 1	WB174000	FSX Keyboard Assembly L	C49 K12 FSX	ELS-01		
* 1	WB164000	FSVX Keyboard Assembly L	C49 K12 FSVX	ELS-01C		
2	--	LK Support		(WB17410)	2	
3	--	Lower Front Rail		(WB53940)		
* 4	WB884100	End Block LK	LEFT			
* 5	WB884200	End Block LK	RIGHT			
6	EP640410	Bind Head Tapping Screw-B	4.0X8 MFZN2Y		13	01
7	EP600250	Bind Head Tapping Screw-B	3.0X8 MFZN2Y		13	01
* 8	WD024400	Connector Assembly	LK-LF 7P-1050			
8a	VD947800	Data Line Filter	ESD-R-25D-B			05
9	--	Felt		(WC28090)		
10	CB829850	Cord Binder	S-34Z		2	03
11	VP834600	Adhesive Tape	12X50		3	02
12	--	Cushion	178X6X2	(WC87320)		
13	--	MK Bottom Shield Plate		(WD01580)		
14	--	GND Wire	L=60	(WD03780)	2	
15	--	GND Wire		(WD10610)		
16	--	GND Wire		(WD10600)		

*: New Parts

RANK: Japan only

FSX KEYBOARD ASSEMBLY (UK, LK) (ELS-01)

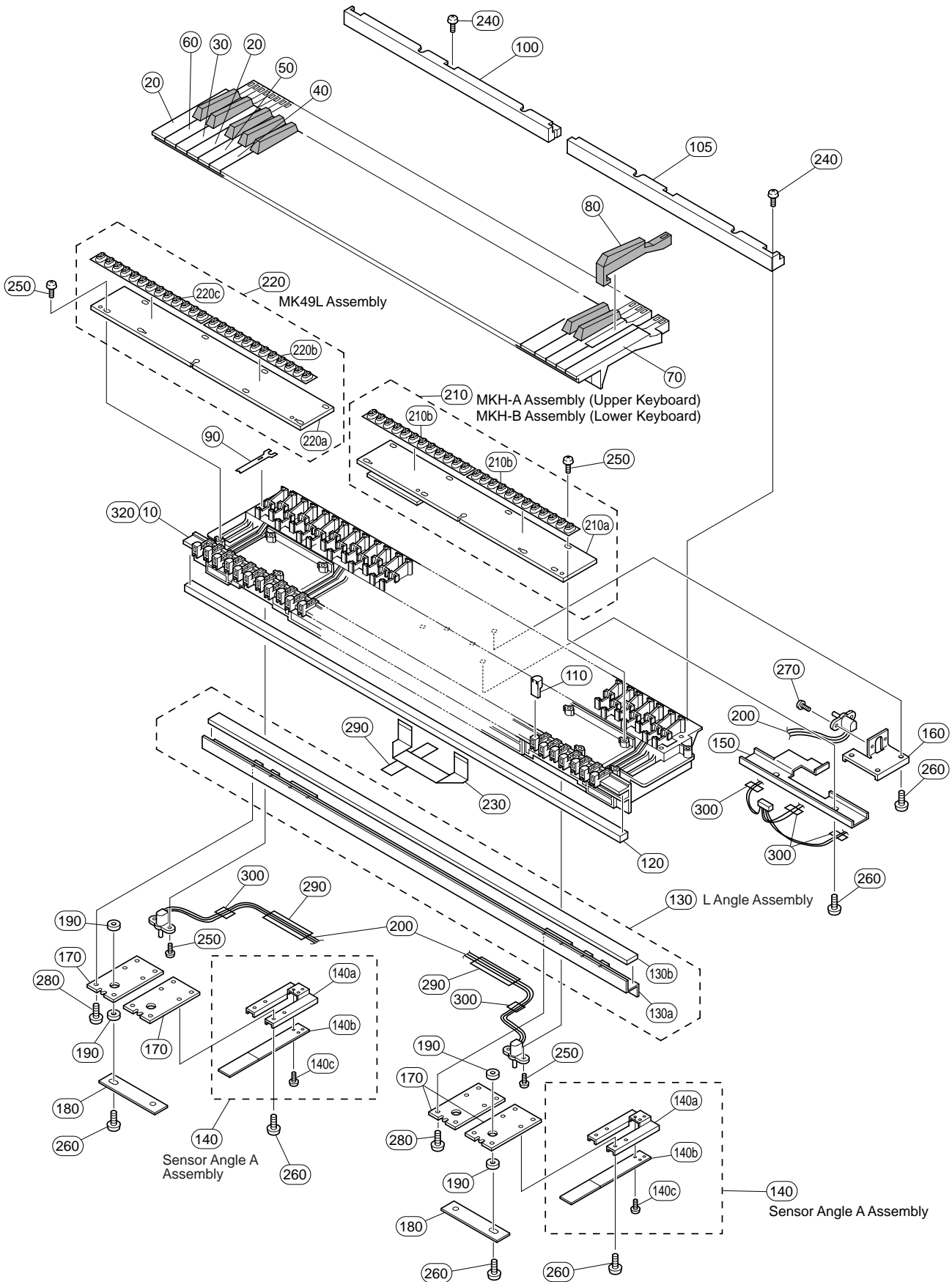


REF NO.	PART NO.	DESCRIPTION		REMARKS	QTY	RANK
*		FSX KEYBOARD ASSEMBLY	C49 K12 FSX	ELS-01		
*	WB767700	FSX Keyboard Assembly U	C49 K12 FSX	UPPER KEYBOARD		
*	WB174000	FSX Keyboard Assembly L	C49 K12 FSX	LOWER KEYBOARD		
10	--	MK Frame	FSX C49	(WB22560)		
*	WB166800	White Key Assembly	C,F		8	
*	WB166900	White Key Assembly	B,E		8	
*	WB167000	White Key Assembly	A		4	
*	WB167100	White Key Assembly	G		4	
*	WB167200	White Key Assembly	D		4	
*	WB167300	White Key Assembly	C'			
*	WB167400	Black Key Assembly			20	
*	WB167600	Key Spring	FSX		49	
*	WC436600	Key Stopper L				
*	WC436700	Key Stopper H				
*	WB171100	Key Guide Cap			49	
*	WB171200	Stopper U				
155	--	Frame Holder		(WB18860)		
205	V2952200	PC Sensor	YMHM-011			09
210	--	MKH-C Assembly		UPPER KEYBOARD(WB76320)		
210	--	MKH-D Assembly		LOWER KEYBOARD(WB76040)		
* 210a	WB407800	Circuit Board	MKH-C	UPPER KEYBOARD		
* 210a	WB407900	Circuit Board	MKH-D	LOWER KEYBOARD		
* 210b	WB168800	Rubber Contact	12KEY2M	UK C4#-C5,C5#-C6	2	
				LK C3#-C4,C4#-C5		
220	--	MK49L Assembly		(WB76030)		
* 220a	WB295500	Circuit Board	MK49L			
* 220b	WB168800	Rubber Contact	12KEY2M	UK C3#-C4, LK C2#-C3		
* 220c	WB168900	Rubber Contact	13KEY2M	UK C2-C3, LK C1-C2		
* 230	WB169100	Cable	RELAY P17			
240	VB205200	Bind Head Tapping Screw-P	3.0X16 MFZN2BL		5	01
250	EP630220	Bind Head Tapping Screw-P	3.0X8 MFZN2BL		18	01
260	EP640110	Bind Head Tapping Screw-P	4.0X12 MFZN2Y		4	01
290	--	Adhesive Tape	19X50m	(2278410)		
320	--	Grease	G-1030Y	(WC77150)		
330	CB040540	Cord Binder	S-72B L=50			01
340	VB931600	Bind Head Tapping Screw-P	4.0X8 MFZN2BL			01

*: New Parts

RANK: Japan only

FSVX KEYBOARD ASSEMBLY (UK, LK) (ELS-01C)

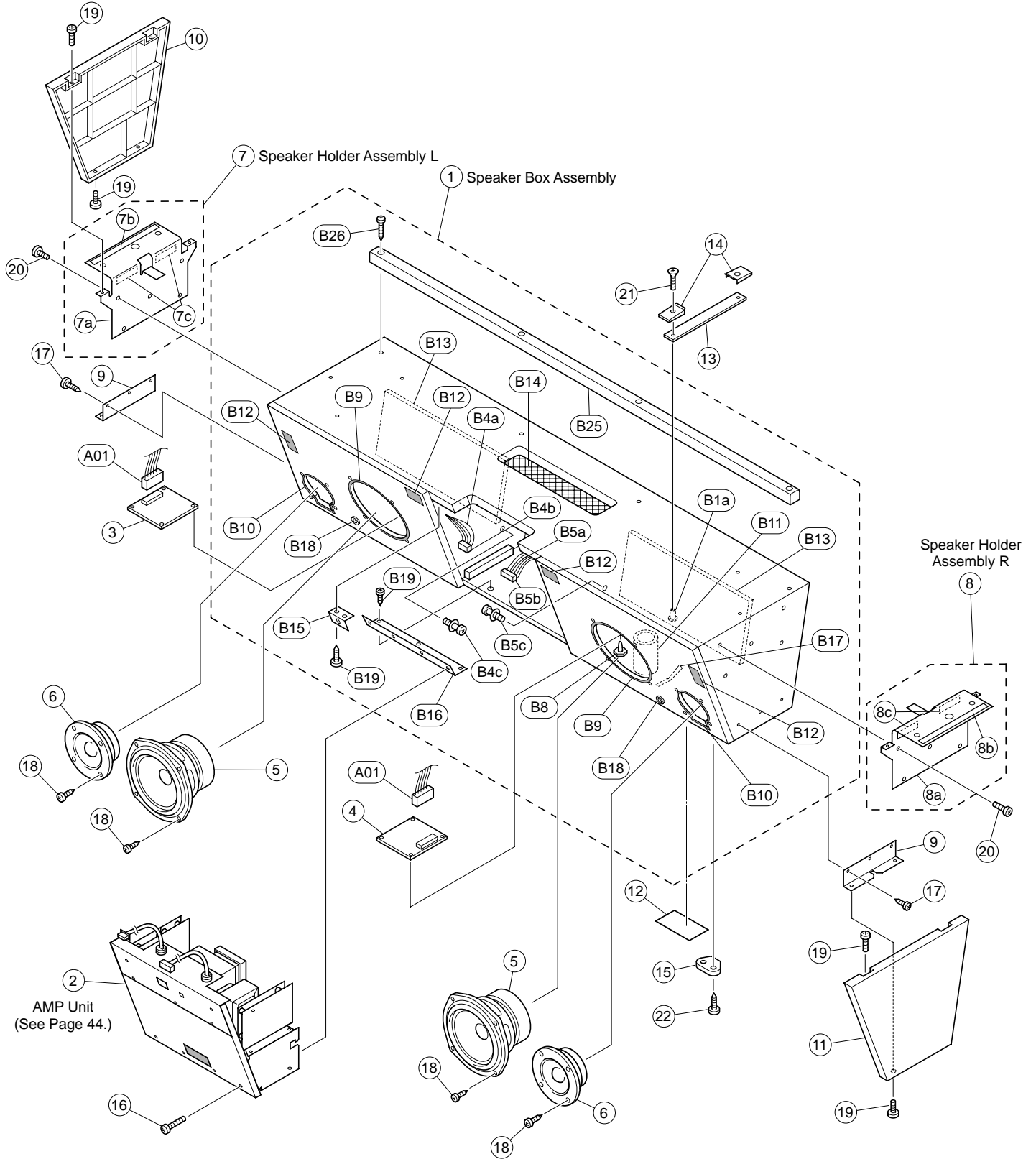


REF NO.	PART NO.	DESCRIPTION		REMARKS	QTY	RANK
*		FSVX KEYBOARD ASSEMBLY	C49 K12 FSVX	ELS-01C		
*	WB767600	FSVX Keyboard Assembly U	C49 K12 FSVX	UPPER KEYBOARD		
*	WB164000	FSVX Keyboard Assembly L	C49 K12 FSVX	LOWER KEYBOARD		
10	--	MK Frame	FSVX C49	(WB17100)		
*	WB166800	White Key Assembly	C,F		8	
30	WB166900	White Key Assembly	B,E		8	
*	WB167000	White Key Assembly	A		4	
50	WB167100	White Key Assembly	G		4	
60	WB167200	White Key Assembly	D		4	
70	WB167300	White Key Assembly	C'			
80	WB167400	Black Key Assembly			20	
90	WB167600	Key Spring	FSX		49	
100	WC436600	Key Stopper L				
105	WC436700	Key Stopper H				
110	WB171100	Key Guide Cap			49	
120	WB171200	Stopper U				
130	--	Angle Assembly		(WB16780)		
130a	--	Angle		(WB17240)		
130b	WB172700	Stopper L				
140	--	Sensor Angle A Assembly		(WB16790)	2	
140a	--	Sensor Angle A		(WB17280)		
140b	WB172900	Aensor Spring Assembly				
140c	EP630210	Bind Head Tapping Screw-S	3.0X6 MFZN2BL		2	01
150	--	Sensor Angle B Assembly		(WB16800)		
160	--	Sensor Angle C		(WB16810)		
170	--	Spring		(WB16820)	4	
180	--	Stopper		(WB16830)	2	
190	WB168400	Damper			4	
200	WB169000	Stroke Sensor				
210	--	MKH-A Assembly		UPPER KEYBOARD(WB76330)		
210	--	MKH-B Assembly		LOWER KEYBOARD(WB76020)		
210a	WB295200	Circuit Board	MKH-A	UPPER KEYBOARD		
210a	WB407700	Circuit Board	MKH-B	LOWER KEYBOARD		
210b	WB168800	Rubber Contact	12KEY2M	UK C4#-C5,C5#-C6 LK C3#-C4,C4#-C5	2	
220	--	MK49L Assembly		(WB76030)		
220a	WB295500	Circuit Board	MK49L			
220b	WB168800	Rubber Contact	12KEY2M	UK C3#-C4, LK C2#-C3		
220c	WB168900	Rubber Contact	13KEY2M	UK C2-C3, LK C1-C2		
230	WB169100	Cable	RELAY P17			
240	VB205200	Bind Head Tapping Screw-P	3.0X16 MFZN2BL		5	01
250	EP630220	Bind Head Tapping Screw-P	3.0X8 MFZN2BL		22	01
260	EP640110	Bind Head Tapping Screw-P	4.0X12 MFZN2Y		25	01
270	EG330360	Bind Head Screw	3.0X6 MFZN2BL		2	01
280	EG340100	Bind Head Screw	4.0X6 MFZN2Y		8	01
290	--	Adhesive Tape	19X50m	(2278410)		
300	22764900	Adhesive Tape	12X50m			08
320	--	Grease	G-1030Y	(WC77150)		

*: New Parts

RANK: Japan only

■ SPEAKER BOX UNIT (ELS-01)

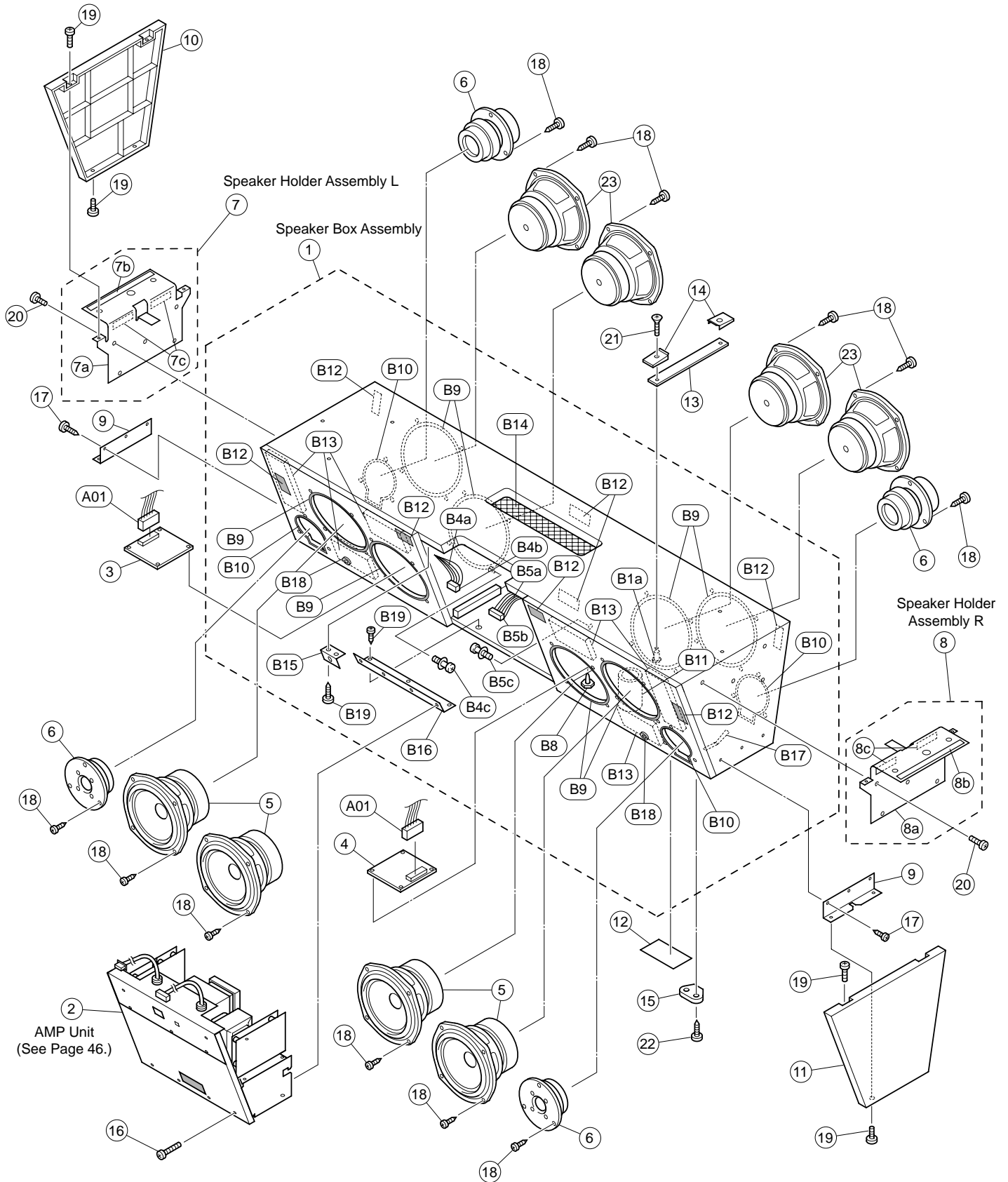


REF NO.	PART NO.	DESCRIPTION		REMARKS	QTY	RANK
	--	SPEAKER BOX UNIT		ELS-01		
	--	Speaker Box Unit		J (WB89300)		
	--	Speaker Box Unit		Q,K (WB89310)		
	--	Speaker Box Unit		V (WB89320)		
* 1	WB893500	Speaker Box Assembly				
2	--	AMP Unit		J (WC27890)		
2	--	AMP Unit		Q,K (WC27900)		
2	--	AMP Unit		V (WC27910)		
* 3	WB752300	Circuit Board	NW-L			
* 4	WB752400	Circuit Board	NW-R			
* 5	X4741A00	Speaker	13.0cm 8 ohm 60W	WOOFER	2	
* 6	XL455A00	Speaker	5.0cm 16 ohm 60W	TWEETER	2	07
* 7	WD105300	Speaker Holder Assembly L	LEFT			
7a	--	Holder, Speaker Box	LEFT	(WB89900)		
7b	--	Skin	165X18XT0.5	(WD10550)		
7c	--	Nonwoven Fabric Cloth	10X50X0.55	(V243310)	2	
* 8	WD105400	Speaker Holder Assembly R	RIGHT			
8a	--	Holder, Speaker Box	RIGHT	(WB89910)		
8b	--	Skin	165X18XT0.5	(WD10550)		
8c	--	Nonwoven Fabric Cloth	10X50X0.55	(V243310)	2	
* 9	WB901000	Holder, Cover			2	
* 10	WB900600	Speaker Cover L	LEFT			
* 11	WB900700	Speaker Cover R	RIGHT			
12	--	Name Plate	J	J (WB92240)		
* 13	WB922500	Handle			2	
* 14	WB922600	Handle Holder			4	
15	CB006650	Foot			4	03
16	VB934000	Truss Head Screw	4.0X20 MFZN2BL		6	01
17	EP030250	Bind Head Tapping Screw-1	3.5X14 MFZN2BL		6	01
18	EP040250	Bind Head Tapping Screw-1	4.0X16 MFZN2BL		16	01
19	EG330360	Bind Head Screw	3.0X6 MFZN2BL		8	01
* 20	WD054000	Bind Head Screw	4.0X25 MFZN2BL		10	
21	WA847100	Flat Head Screw	4.0X20 MFZN2BL		4	01
22	EM040190	Flat Head Tapping Screw-1	4.0X16 MFZN2BL		8	01
A01	--	Connector Assembly	SP2 VH-8P	(WB87100)	2	
* B1a	WB893500	Speaker Box Assembly				
B1a	ET200040	Nut	4X11.5 B MFZN2Y		4	01
B4a	--	Connector Assembly	NWL2 VH-5P	(WB87070)		
B4b	LB015050	Connector Housing	VH-5P			01
B4c	VV444100	Strap Screw				03
B5a	--	Connector Assembly	NWR2 VH-6P	(WB87080)		
B5b	LB015060	Connector Housing	VH-6P			01
B5c	VV444100	Strap Screw				03
B8	CB046030	Support, PCB	LCBS-04T		8	01
B9	--	Cushion Gray	W	(WB89610)	2	
B10	--	Cushion Gray	S	(WB89600)	2	
B11	--	Port	L=100	(V604560)	2	
B12	VJ933500	Dual Lock Black			4	05
B13	--	Felt S Black		(WB89630)	2	
B14	--	Metal Net		(WC29090)		
B15	--	Holder A		(WC27940)	2	
B16	--	Holder B		(WC27950)		
B17	VU891300	Cord Holder	L80		2	03
B18	CB605250	Holder	PK-8A NS-300		2	03
B19	EP030230	Bind Head Tapping Screw-1	3.5X10 MFZN2Y		7	01
B25	--	Crosspiece	985X15X18	(WC92690)		
B26	EN630240	Truss Head Tapping Screw-1	3.5X20 MFZN2BL		4	01

*: New Parts

RANK: Japan only

■ SPEAKER BOX UNIT (ELS-01C)

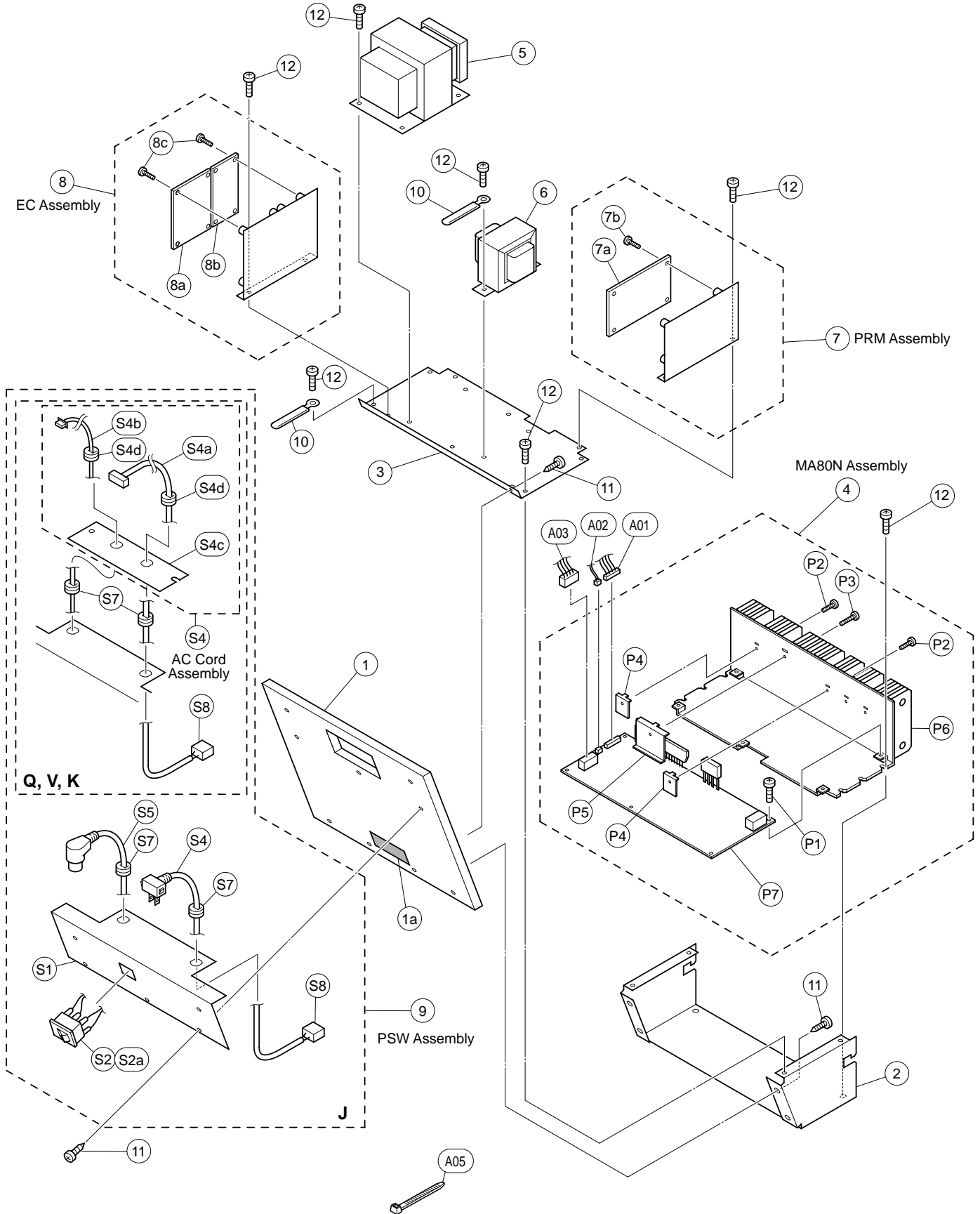


REF NO.	PART NO.	DESCRIPTION		REMARKS	QTY	RANK
		SPEAKER BOX UNIT		ELS-01C		
	--	Speaker Box Unit		J (WB89270)		
	--	Speaker Box Unit		Q,K (WB89280)		
	--	Speaker Box Unit		V (WB89290)		
* 1	WB893400	Speaker Box Assembly				
2	--	AMP Unit		J (WC27860)		
2	--	AMP Unit		Q,K (WC27870)		
2	--	AMP Unit		V (WC27880)		
* 3	WB743800	Circuit Board	NW-L			
* 4	WB743900	Circuit Board	NW-R			
* 5	X4740A00	Speaker	13.0cm 4 ohm 60W	WOOFER (FRONT)	4	
* 6	X4742A00	Speaker	2.5cm 16 ohm 60W	TWEETER	4	
* 7	WD105300	Speaker Holder Assembly L	LEFT			
7a	--	Holder, Speaker Box	LEFT	(WB89900)		
7b	--	Skin	165X18XT0.5	(WD10550)		
7c	--	Nonwoven Fabric Cloth	10X50X0.55	(V243310)	2	
* 8	WD105400	Speaker Holder Assembly R	RIGHT			
8a	--	Holder, Speaker Box	RIGHT	(WB89910)		
8b	--	Skin	165X18XT0.5	(WD10550)		
8c	--	Nonwoven Fabric Cloth	10X50X0.55	(V243310)	2	
* 9	WB901000	Holder, Cover			2	
* 10	WB900600	Speaker Cover L	LEFT			
* 11	WB900700	Speaker Cover R	RIGHT			
12	--	Name Plate	J	J (WB92230)		
* 13	WB922500	Handle			2	
* 14	WB922600	Handle Holder			4	
15	CB006650	Foot			4	03
16	VB934000	Truss Head Screw	4.0X20 MFZN2BL		6	01
17	EP030250	Bind Head Tapping Screw-1	3.5X14 MFZN2BL		6	01
18	EP040250	Bind Head Tapping Screw-1	4.0X16 MFZN2BL		44	01
19	EG330360	Bind Head Screw	3.0X6 MFZN2BL		8	01
* 20	WD054000	Bind Head Screw	4.0X25 MFZN2BL		10	
21	WA847100	Flat Head Screw	4.0X20 MFZN2BL		4	01
22	EM040190	Flat Head Tapping Screw-1	4.0X16 MFZN2BL		8	01
* 23	X5395A00	Speaker	13.0cm 8 ohm 60W	WOOFER (REAR)	4	
A01	--	Connector Assembly	SP1 VH-8P	(WB87090)	2	
* 1	WB893400	Speaker Box Assembly				
B1a	ET200040	Nut	4X11.5 B MFZN2Y		4	01
B4a	--	Connector Assembly	NWL1 VH-5P	(WB87050)		
B4b	LB015050	Connector Housing	VH-5P			01
B4c	VV444100	Strap Screw				03
B5a	--	Connector Assembly	NWR1 VH-6P	(WB87060)		
B5b	LB015060	Connector Housing	VH-6P			01
B5c	VV444100	Strap Screw				03
B8	CB046030	Support, PCB	LCBS-04T		8	01
B9	--	Cushion Gray	W	(WB89610)	8	
B10	--	Cushion Gray	S	(WB89600)	4	
B11	--	Port	L=100	(V604560)	2	
B12	VJ933500	Dual Lock Black			8	05
B13	--	Felt C Black		(WB89620)	6	
B14	--	Metal Net		(WC29090)		
B15	--	Holder A		(WC27940)	2	
B16	--	Holder B		(WC27950)		
B17	VU891300	Cord Holder	L80		4	03
B18	CB605250	Holder	PK-8A NS-300		4	03
B19	EP030230	Bind Head Tapping Screw-1	3.5X10 MFZN2Y		7	01

*: New Parts

RANK: Japan only

AMP UNIT (ELS-01)

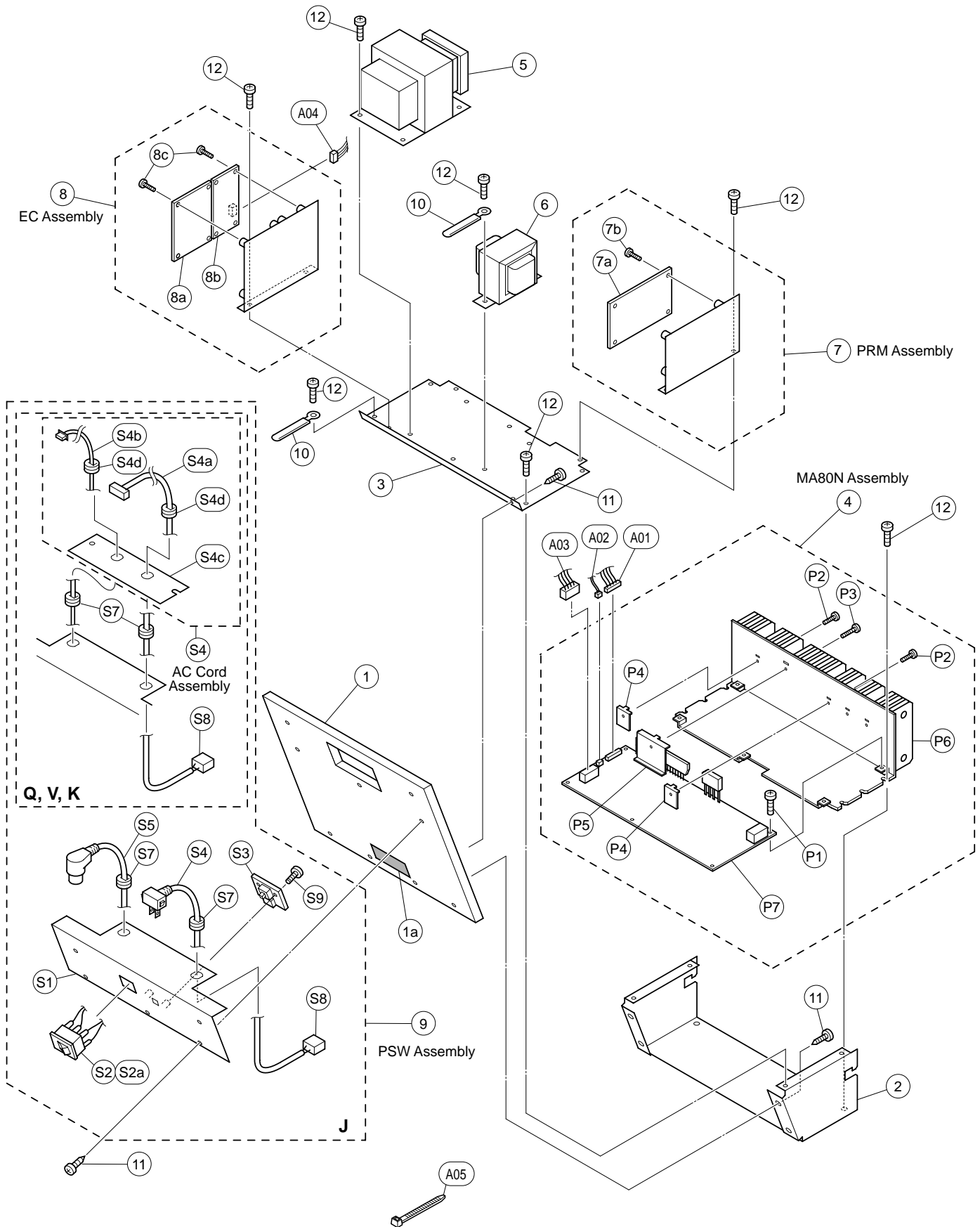


REF NO.	PART NO.	DESCRIPTION		REMARKS	QTY	RANK
	--	AMP UNIT		ELS-01		
	--	AMP Unit		J (WC27890)		
	--	AMP Unit		Q,K (WC27900)		
	--	AMP Unit		V (WC27910)		
* 1	WC279600	Front Board Assembly	C			
1a	VJ933500	Dual Lock Black				05
2	--	AMP Holder				(WC27920)
3	--	TR Holder				(WC95560)
* 4	WB892300	Power Amplifier Unit	MA80N J	J		
* 4	WC031100	Power Amplifier Unit	MA80N THA,MEX	Q,V,K		
* 5	X4573B00	Power Transformer	E	J		
* 5	X4752B00	Power Transformer	THA,MEX E	Q,V,K		
* 6	V9837900	Coil	7.0mH			
7	--	PRM Assembly		J (WB89680)		
7	--	PRM Assembly		Q,K (WB89690)		
7	--	PRM Assembly		V (WB89700)		
* 7a	WB743700	Circuit Board	PRM (SP AMP)	J		
* 7a	WB886900	Circuit Board	PRM (SP AMP)	Q,K		
* 7a	WB887100	Circuit Board	PRM (SP AMP)	V		
7b	EP600130	Bind Head Tapping Screw-B	3.0X6 MFZN2Y			4 01
8	--	EC Assembly				(WB89670)
* 8a	WB555200	Circuit Board	EQ			
* 8b	WB752600	Circuit Board	CN			
8c	EP600130	Bind Head Tapping Screw-B	3.0X6 MFZN2Y			8 01
9	--	PSW Assembly		J (WC27980)		
9	--	PSW Assembly		Q,V,K (WC93790)		
10	CB817510	Cord Binder	S-14B			4 03
11	EP030340	Bind Head Tapping Screw-1	3.5X12 MFZN2BL			10 01
12	EG340080	Bind Head Screw	4.0X8 MFZN2Y			16 01
A01	VK102800	Connector Assembly	KRD-KRD 9P-200			03
A02	VK099600	Connector Assembly	KRD-KRD 2P-150			02
A03	--	Connector Assembly	CN VH-4P			(WB87030)
A05	CB069250	Cord Holder	BK-1	}		01
A05	VV558400	Cord Binder	AZ-100	}		01
* P1	WB892300	Power Amplifier Unit	MA80N J	J		
* P1	WC031100	Power Amplifier Unit	MA80N THA,MEX	Q,V,K		
P2	EP640410	Bind Head Tapping Screw-B	4.0X8 MFZN2Y			5 01
P3	EP600220	Bind Head Tapping Screw-B	3.0X10 MFZN2Y			2 01
P3	EP600390	Bind Head Tapping Screw-B	3.0X16 MFZN2Y			01
P4	VT461100	Transistor Holder	A			2 03
P5	VT461200	Transistor Holder	B			03
P6	--	Heat Sink				(V761610)
* P7	WB554800	Circuit Board	MA80N	J		
* P7	WC031200	Circuit Board	MA80N	Q,V,K		
S1	--	PSW Assembly		J (WC27980)		
S1	WC285400	Angle, PSW		Q,V,K (WC93790)		
* S2	WB870200	Connector Assembly	SPPSW PH-3P/VH-5P	with POWER switch		
S2a	--	Power Switch	JWZ1120-0403CK	POWER switch (WC61560)		
* S4	WB871300	AC Cord	J 2P 7A 0.45m	J		
* S4	WC976300	AC Cord Assembly		Q,V,K		
S4a	--	AC Cord	CE 2P 6A 1.45m	Q,V,K (WC90240)		
S4b	--	Cable	MSEQ	Q,V,K (WC90220)		
S4c	--	Angle, AC Outlet		Q,V,K (WC93760)		
S4d	CB032840	Cord Strain Relief	SR-5N-4	Q,V,K		2 03
* S5	WB861600	Cable	5	J		
S7	CB032840	Cord Strain Relief	SR-5N-4			2 03
S8	LB015040	Connector Housing	VH-4P			01

*: New Parts

RANK: Japan only

AMP UNIT (ELS-01C)

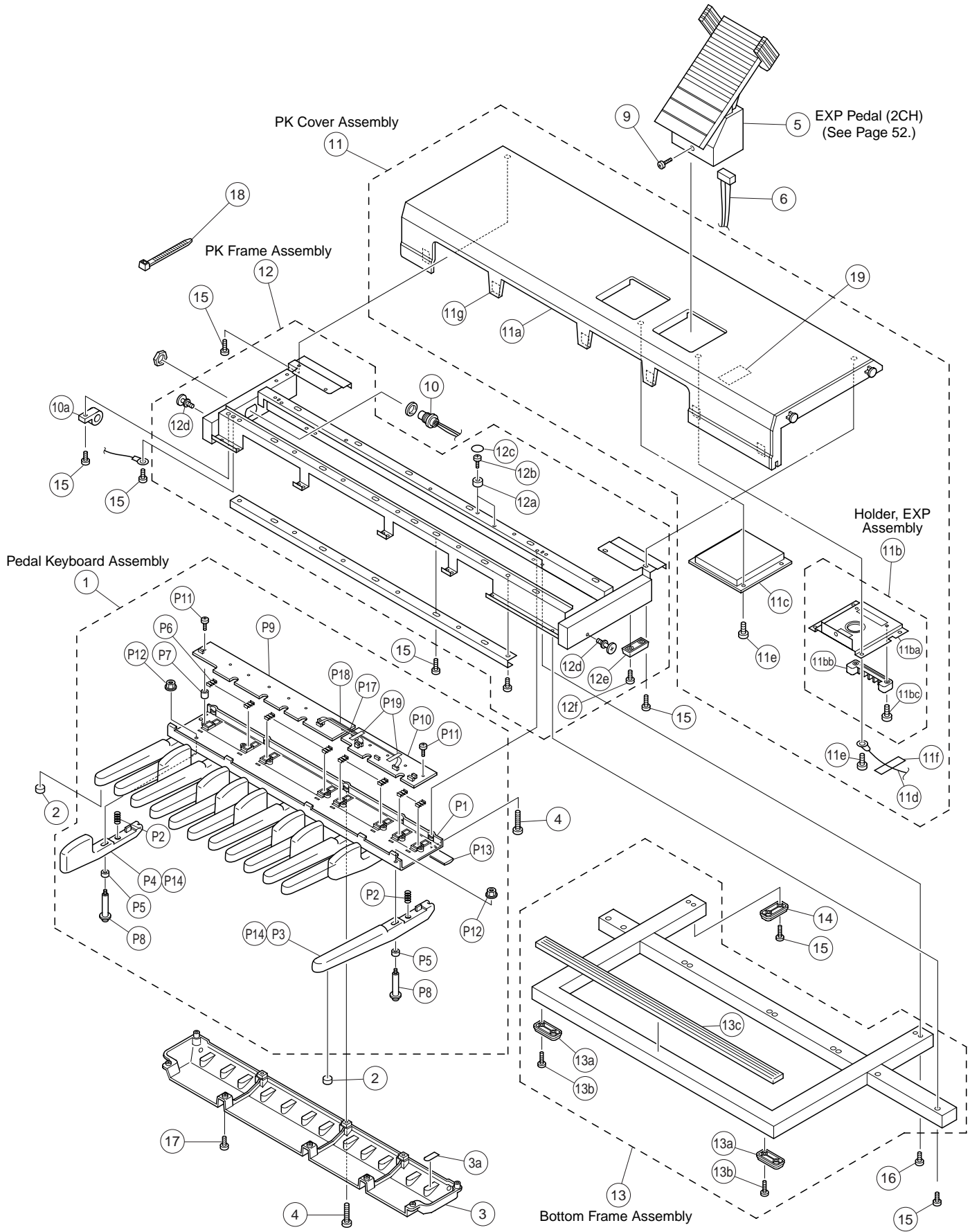


REF NO.	PART NO.	DESCRIPTION		REMARKS	QTY	RANK
	--	AMP UNIT		ELS-01C		
	--	AMP Unit		J (WC27860)		
	--	AMP Unit		Q,K (WC27870)		
	--	AMP Unit		V (WC27880)		
* 1	WC279600	Front Board Assembly	C			
1a	VJ933500	Dual Lock Black				05
2	--	AMP Holder			(WC27920)	
3	--	TR Holder			(WC95560)	
* 4	WB892300	Power Amplifier Unit	MA80N J	J		
* 4	WC031100	Power Amplifier Unit	MA80N THA,MEX	Q,V,K		
* 5	X4573B00	Power Transformer	E	J		
* 5	X4752B00	Power Transformer	THA,MEX E	Q,V,K		
* 6	V9837900	Coil	7.0mH			
7	--	PRM Assembly		J (WB89680)		
7	--	PRM Assembly		Q,K (WB89690)		
7	--	PRM Assembly		V (WB89700)		
* 7a	WB743700	Circuit Board	PRM (SP AMP)	J		
* 7a	WB886900	Circuit Board	PRM (SP AMP)	Q,K		
* 7a	WB887100	Circuit Board	PRM (SP AMP)	V		
7b	EP600130	Bind Head Tapping Screw-B	3.0X6 MFZN2Y			4 01
8	--	EC Assembly			(WB89660)	
* 8a	WB555100	Circuit Board	EQ			
* 8b	WB744100	Circuit Board	CN			
8c	EP600130	Bind Head Tapping Screw-B	3.0X6 MFZN2Y			8 01
9	--	PSW Assembly		J (WC27970)		
9	--	PSW Assembly		Q,V,K (WC93780)		
10	CB817510	Cord Binder	S-14B			4 03
11	EP030340	Bind Head Tapping Screw-1	3.5X12 MFZN2BL			10 01
12	EG340080	Bind Head Screw	4.0X8 MFZN2Y			16 01
A01	VK102800	Connector Assembly	KRD-KRD 9P-200			03
A02	VK099600	Connector Assembly	KRD-KRD 2P-150			02
A03	--	Connector Assembly	CN VH-4P		(WB87030)	
A04	VK105400	Connector Assembly	KRD-KRD 4P-300			
A05	CB069250	Cord Holder	BK-1	}		01
A05	VV558400	Cord Binder	AZ-100	}		01
* P1	WB892300	Power Amplifier Unit	MA80N J	J		
* P1	WC031100	Power Amplifier Unit	MA80N THA,MEX	Q,V,K		
P2	EP640410	Bind Head Tapping Screw-B	4.0X8 MFZN2Y			5 01
P2	EP600220	Bind Head Tapping Screw-B	3.0X10 MFZN2Y			2 01
P3	EP600390	Bind Head Tapping Screw-B	3.0X16 MFZN2Y			01
P4	VT461100	Transistor Holder	A			2 03
P5	VT461200	Transistor Holder	B			03
P6	--	Heat Sink			(V761610)	
* P7	WB554800	Circuit Board	MA80N	J		
* P7	WC031200	Circuit Board	MA80N	Q,V,K		
	--	PSW Assembly		J (WC27970)		
	--	PSW Assembly		Q,V,K (WC93780)		
* S1	WC285300	Angle, PSW				
* S2	WB870200	Connector Assembly	SPPSW PH-3P/VH-5P	with POWER switch		
S2a	--	Power Switch	JWZ1120-0403CK	POWER switch (WC61560)		
* S3	WB744200	Circuit Board	SW			
* S4	WB871300	AC Cord	J 2P 7A 0.45m	J		
* S4	WC976300	AC Cord Assembly		Q,V,K		
S4a	--	AC Cord	CE 2P 6A 1.45m	Q,V,K (WC90240)		
S4b	--	Cable	MSEQ	Q,V,K (WC90220)		
S4c	--	Angle, AC Outlet		Q,V,K (WC93760)		
S4d	CB032840	Cord Strain Relief	SR-5N-4	Q,V,K		2 03
* S5	WB861600	Cable	5	J		
S7	CB032840	Cord Strain Relief	SR-5N-4			2 03
S8	LB015040	Connector Housing	VH-4P			01
S9	EP600250	Bind Head Tapping Screw-B	3.0X8 MFZN2Y			2 01

*: New Parts

RANK: Japan only

■ PEDAL UNIT (ELS-01)

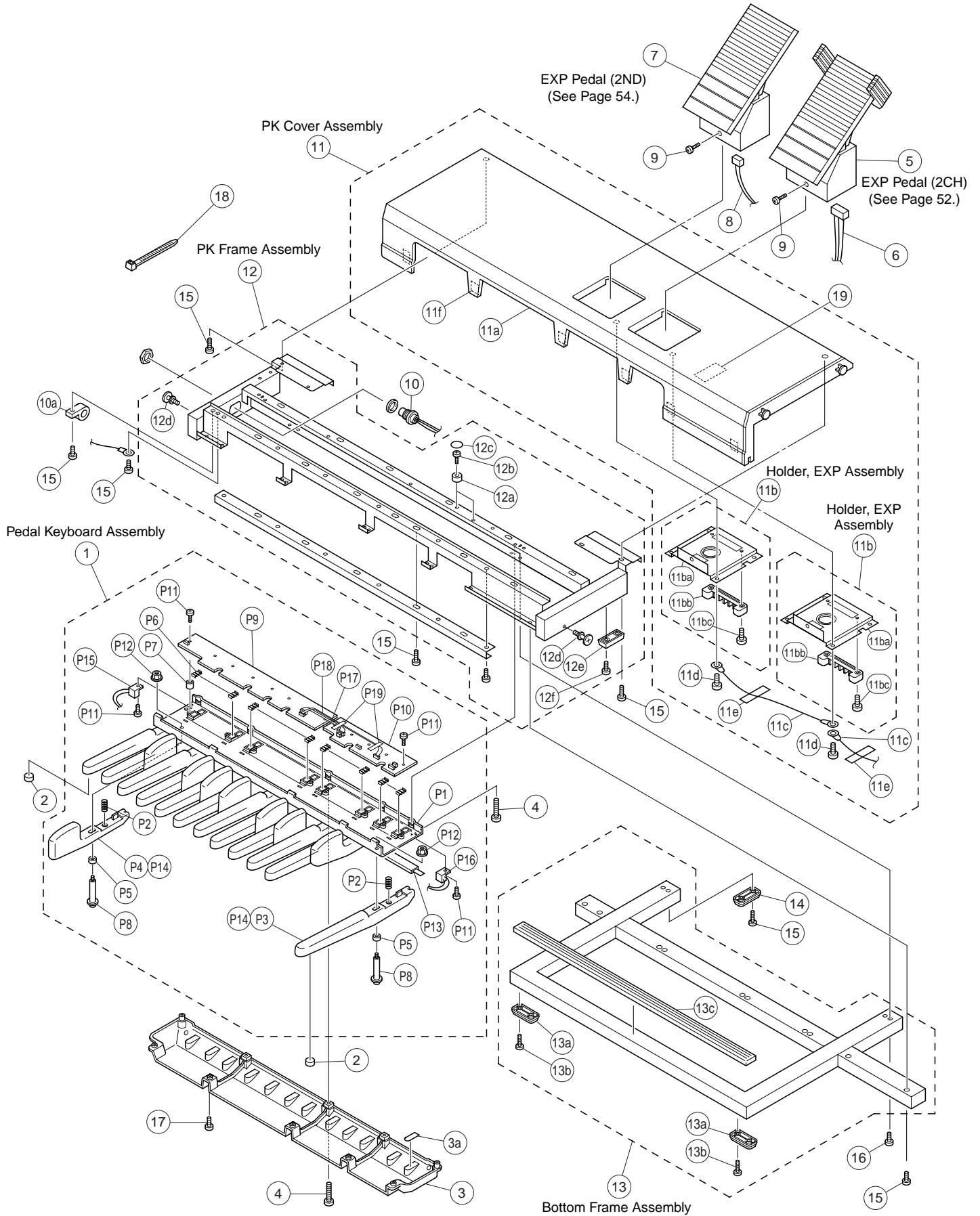


REF NO.	PART NO.	DESCRIPTION		REMARKS	QTY	RANK
		PEDAL UNIT		ELS-01		
	--	Pedal Unit		(WB88200)		
* 1	WB848600	Pedal Keyboard Assembly	M-EBUS			
2	VB922300	Key Stopper Black			2	01
3	VQ589800	PK Protector Assembly				10
3a	VQ589700	Cushion	30X14X1.4T		12	03
4	VS206000	Bind Head Tapping Screw-B	4.0X25 MFZN2BL		7	01
* 5	WB882200	EXP Pedal	2CH GRAY			
6	--	Connector Assembly	KRD-KRD 6P-250	(VK10390)		
9	VA221600	Bind Head Screw	4.0X10 MFZN2BL			01
* 10	WC897100	Cable	3-LF			
10a	VD947800	Data Line Filter	ESD-R-25D-B			05
* 11	WB884900	PK Cover Assembly				
11a	--	PK Cover Gray		(WB88460)		
11b	--	Holder, EXP Assembly		(WB88580)		
11ba	VJ842300	Holder, EXP	1.6			06
11bb	VJ804800	Block, EXP				03
11bc	EP630630	Bind Head Tapping Screw-S	3.0X10 MFZN2Y		2	01
* 11c	WB886200	EXP Cover				
11d	--	GND Wire	L=170	(VL41000)		
11e	VA914400	Bind Head Tapping Screw-B	4.0X12 MFZN2Y		8	01
11f	VP834600	Adhesive Tape	12X50			02
11g	--	Felt	17X17X1	(WC80420)	6	
* 12	WB924800	PK Frame Assembly				
12a	--	Spacer		(WC06720)	2	
12b	EP600220	Bind Head Tapping Screw-B	3.0X10 MFZN2Y		2	01
12c	--	Skin		(WC06750)	2	
12d	VN887900	Guide Screw	6.0X14		2	03
12e	VN033500	Slip Fitting Black			2	
12f	VR525900	Bind Head Tapping Screw-B	4.0X14 MFZN2BL		4	01
* 13	WC477900	Bottom Frame Assembly				
13a	VC998800	Slip Fitting Black			2	01
13b	VR525900	Bind Head Tapping Screw-B	4.0X14 MFZN2BL		4	01
* 13c	WC538800	Key Stopper Gray				
14	VC998800	Slip Fitting Black			2	01
15	VR525900	Bind Head Tapping Screw-B	4.0X14 MFZN2BL		32	01
16	EG340030	Bind Head Screw	4.0X12 MFZN2Y		4	01
17	EP600070	Bind Head Tapping Screw-S	3.0X8 MFZN2Y		5	01
18	CB069250	Cord Holder	BK-1			01
19	VP834600	Adhesive Tape	12X50		2	02
* P1	WB848600	Pedal Keyboard Assembly	M-EBUS			
	VH534200	PK Frame	C20 2M			09
P2	VP377600	Spring	SWPB		20	01
* P3	WB903200	White Key, PK	M-EBUS		12	
* P4	WB903300	Black Key, PK	M-EBUS		8	
* P5	WD007200	Support Rubber Black			20	
P6	VB643100	Rubber Contact			20	02
P7	VH535500	Spacer			13	01
P8	VP919200	Screw	4.0 MFZN2B		20	01
* P9	WC079700	Circuit Board	PKL-EBUS			
* P10	WB902300	Circuit Board	PKH-EBUS			
P11	EP630630	Bind Head Tapping Screw-S	3.0X10 MFZN2Y		15	01
P12	VP919300	Hexagonal Nut	4.0 MFZN2B		20	01
* P13	WB903000	Stopper	M-EBUS PK			
P14	--	Silicon Grease	G-501	(0412113)		
P17	--	Connector Assembly	KRD-KRD 15P-150	(VK10200)		
P18	--	Connector Assembly	KRD-KRD 8P-300	(VK10590)		
P19	21545000	Adhesive Tape	12X50m			08

*: New Parts

RANK: Japan only

■ PEDAL UNIT (ELS-01C)

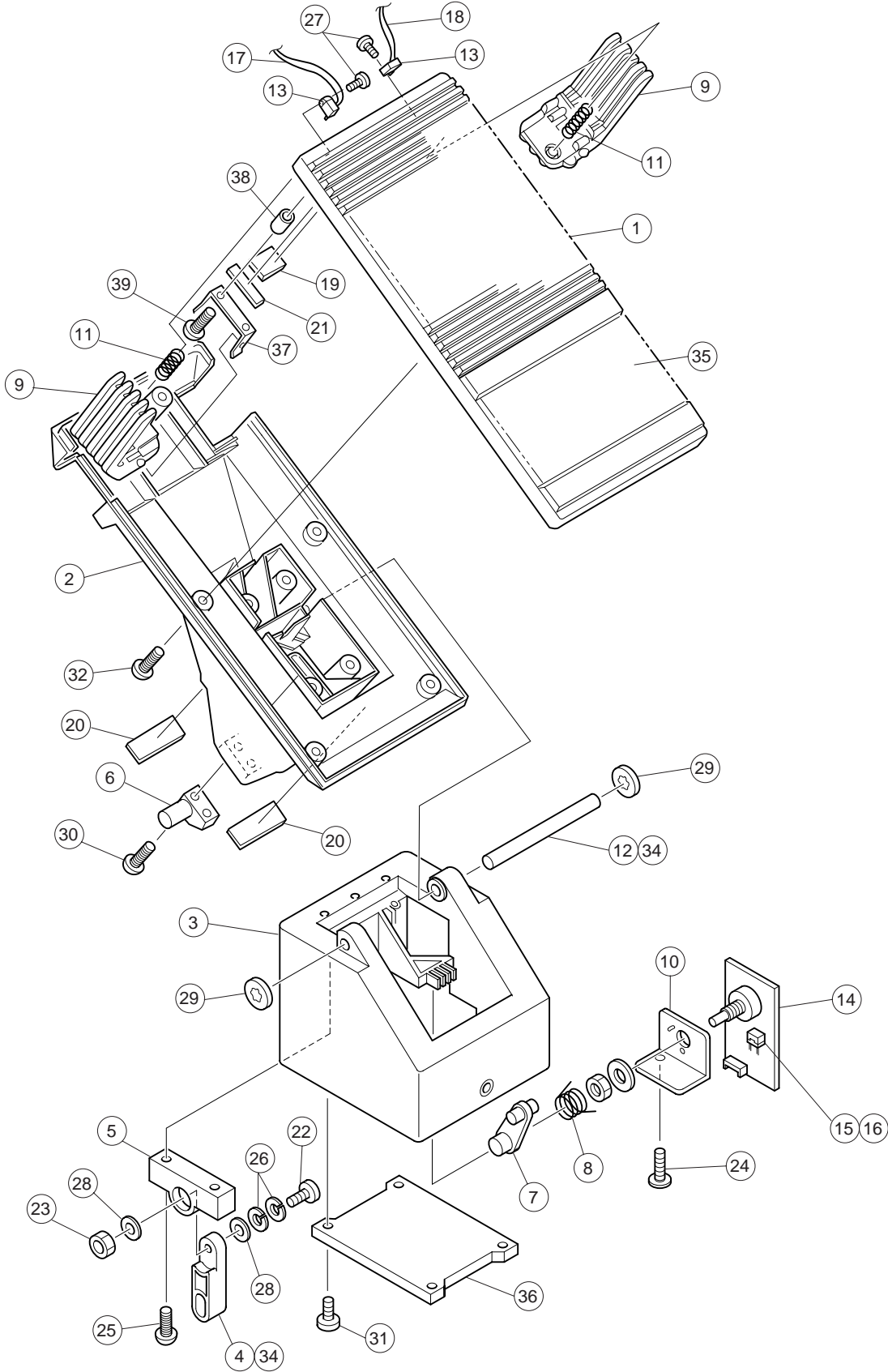


REF NO.	PART NO.	DESCRIPTION		REMARKS	QTY	RANK
		PEDAL UNIT		ELS-01C		
	--	Pedal Unit		(WB88190)		
* 1	WB318000	Pedal Keyboard Assembly	M-EBUS AF			
2	VB922300	Key Stopper Black			2	01
3	VQ589800	PK Protector Assembly				10
3a	VQ589700	Cushion	30X14X1.4T		12	03
4	VS206000	Bind Head Tapping Screw-B	4.0X25 MFZN2BL		7	01
* 5	WB882200	EXP Pedal	2CH GRAY			
6	--	Connector Assembly	KRD-KRD 6P-250	(VK10390)		
* 7	WB882300	EXP Pedal	2ND GRAY			
8	VJ980500	Connector Assembly	KRD-KRD 4P-350			04
9	VA221600	Bind Head Screw	4.0X10 MFZN2BL		2	01
* 10	WC897100	Cable	3-LF			
10a	VD947800	Data Line Filter	ESD-R-25D-B			05
* 11	WB884800	PK Cover Assembly				
11a	--	PK Cover Gray		(WB88460)		
11b	--	Holder, EXP Assembly		(WB88580)	2	
11ba	VJ842300	Holder, EXP	1.6		2	06
11bb	VJ804800	Block, EXP			2	03
11bc	EP630630	Bind Head Tapping Screw-S	3.0X10 MFZN2Y		4	01
11c	--	GND Wire	L=170	(VL41000)	2	
11d	VA914400	Bind Head Tapping Screw-B	4.0X12 MFZN2Y		8	01
11e	VP834600	Adhesive Tape	12X50		2	02
11f	--	Felt	17X17X1	(WC80420)	6	
* 12	WB924800	PK Frame Assembly				
12a	--	Spacer		(WC06720)	2	
12b	EP600220	Bind Head Tapping Screw-B	3.0X10 MFZN2Y		2	01
12c	--	Skin		(WC06750)	2	
12d	VN887900	Guide Screw	6.0X14		2	03
12e	VN033500	Slip Fitting Black			2	
12f	VR525900	Bind Head Tapping Screw-B	4.0X14 MFZN2BL		4	01
* 13	WC477900	Bottom Frame Assembly				
13a	VC998800	Slip Fitting Black			2	01
13b	VR525900	Bind Head Tapping Screw-B	4.0X14 MFZN2BL		4	01
* 13c	WC538800	Key Stopper Gray				
14	VC998800	Slip Fitting Black			2	01
15	VR525900	Bind Head Tapping Screw-B	4.0X14 MFZN2BL		32	01
16	EG340030	Bind Head Screw	4.0X12 MFZN2Y		4	01
17	EP600070	Bind Head Tapping Screw-S	3.0X8 MFZN2Y		5	01
18	CB069250	Cord Holder	BK-1			01
19	VP834600	Adhesive Tape	12X50		2	02
* P1	WB318000	Pedal Keyboard Assembly	M-EBUS AF			
P2	VH534200	PK Frame	C20 2M			09
P3	VP377600	Spring	SWPB		20	01
* P4	WB903200	White Key, PK	M-EBUS		12	
* P5	WB903300	Black Key, PK	M-EBUS		8	
* P6	WD007200	Support Rubber Black			20	
P7	VB643100	Rubber Contact			20	02
P8	VH535500	Spacer			13	01
P9	VP919200	Screw	4.0 MFZN2B		20	01
* P10	WB318100	Circuit Board	PKL-EBUS AF			
* P11	WB318200	Circuit Board	PKH-EBUS AF			
P12	EP630630	Bind Head Tapping Screw-S	3.0X10 MFZN2Y		15	01
P13	VP919300	Hexagonal Nut	4.0 MFZN2B		20	01
* P14	WB313400	PC Sensor	PK-20			
P15	--	Silicon Grease	G-501	(0412113)		
P16	VB885900	Connector Assembly	PC 3P-600 PC-4P			06
P17	VB886000	Connector Assembly	PC 4P-250 XH/PC-4P			07
P18	--	Connector Assembly	KRD-KRD 15P-150	(VK10200)		
P19	--	Connector Assembly	KRD-KRD 8P-300	(VK10590)		
P19	21545000	Adhesive Tape	12X50m			08

*: New Parts

RANK: Japan only

■ EXP PEDAL (2CH) (ELS-01/ELS-01C)

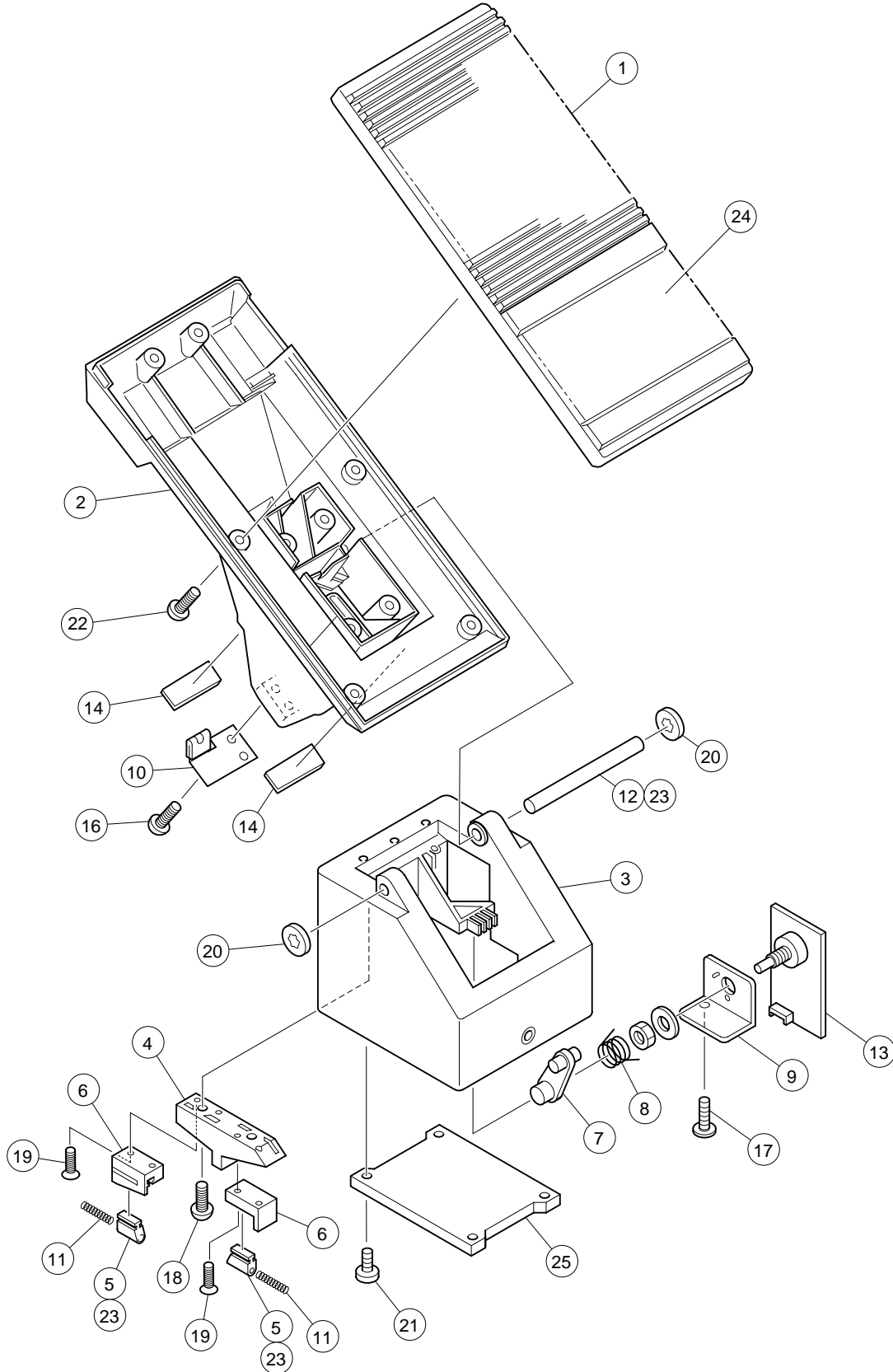


REF NO.	PART NO.	DESCRIPTION	REF NO.	REMARKS	QTY	RANK
*		EXP PEDAL	2CH GRAY	ELS-01/ELS-01C		
*	1	WB882200 EXP Pedal	2CH GRAY			
*	2	WB882900 EXP Pedal Plate Gray				
*	3	WB883000 Cover, Pedal Plate	2CH GRAY			
*	4	WB883300 Frame Gray				
	4	VB445500 Lever	1			02
	5	VF614500 Lever	2			02
	6	VB445700 Block				02
	7	VA227600 Actuator				02
	8	VA228300 Coil Spring				01
*	9	WB882500 Lever Gray			2	
	10	VB511900 Plate	1.0			02
	11	VB512400 Coil Spring			2	01
	12	VJ465000 Shaft				02
	13	VA228500 Micro Switch	SPPB13001A	FOOT SW	2	01
	14	VJ965100 Circuit Board	EXP (2CH)			07
	15	VB304500 Connector Housing	PH-4P			01
	16	VB936800 Connector Contact	SPH-002T-P0.5S		4	01
	17	VA228600 Connector Assembly	12P			04
	18	-- Connector Assembly	12P	(VB51360)		
	19	VJ466300 Felt	17X12.5X1		2	03
	20	VJ632200 Felt	32X12X2		2	03
	21	VJ466200 Felt	25X6X1.5		2	03
	22	03751410 Pan Head Screw	5.0X12 MFZN2Y			01
	23	03760250 Hexagonal Nut	#3 5.0 MFZN2Y			01
	24	EP600290 Bind Head Tapping Screw-P	3.0X6 MFZN2Y			01
	25	EP640110 Bind Head Tapping Screw-P	4.0X12 MFZN2Y		2	01
	26	VC299400 Flat Spring Washer	2L 5.0		2	01
	27	VA226000 Pan Head Tapping Screw-P	2.0X8 MFZN2BL		2	01
	28	03765460 Flat Washer	5.0X12X0.8 MFZN2Y		2	01
	29	VB514600 SE-shaped Ring	6.0		2	01
	30	VB658700 Bind Head Tapping Screw-P	3.0X14 MFZN2Y		2	01
	31	VB931600 Bind Head Tapping Screw-P	4.0X8 MFZN2BL		4	01
	32	VC161100 Bind Head Tapping Screw-P	3.0X12 MFZN2BL		10	01
	34	-- Grease	G-902	(VA01020)		
*	35	WB882600 Pedal Mat Gray				
	36	VK955200 Cover	0.5			02
	37	VK157200 Holder, Lever	SUS301-1/2H		2	03
	38	VB514400 Insert Nut	M3.0 SD-30-02		4	01
	39	VG685000 Pan Head Screw	SW 3.0X5 SUS304		4	01

*: New Parts

RANK: Japan only

■ EXP PEDAL (2ND) (ELS-01C)

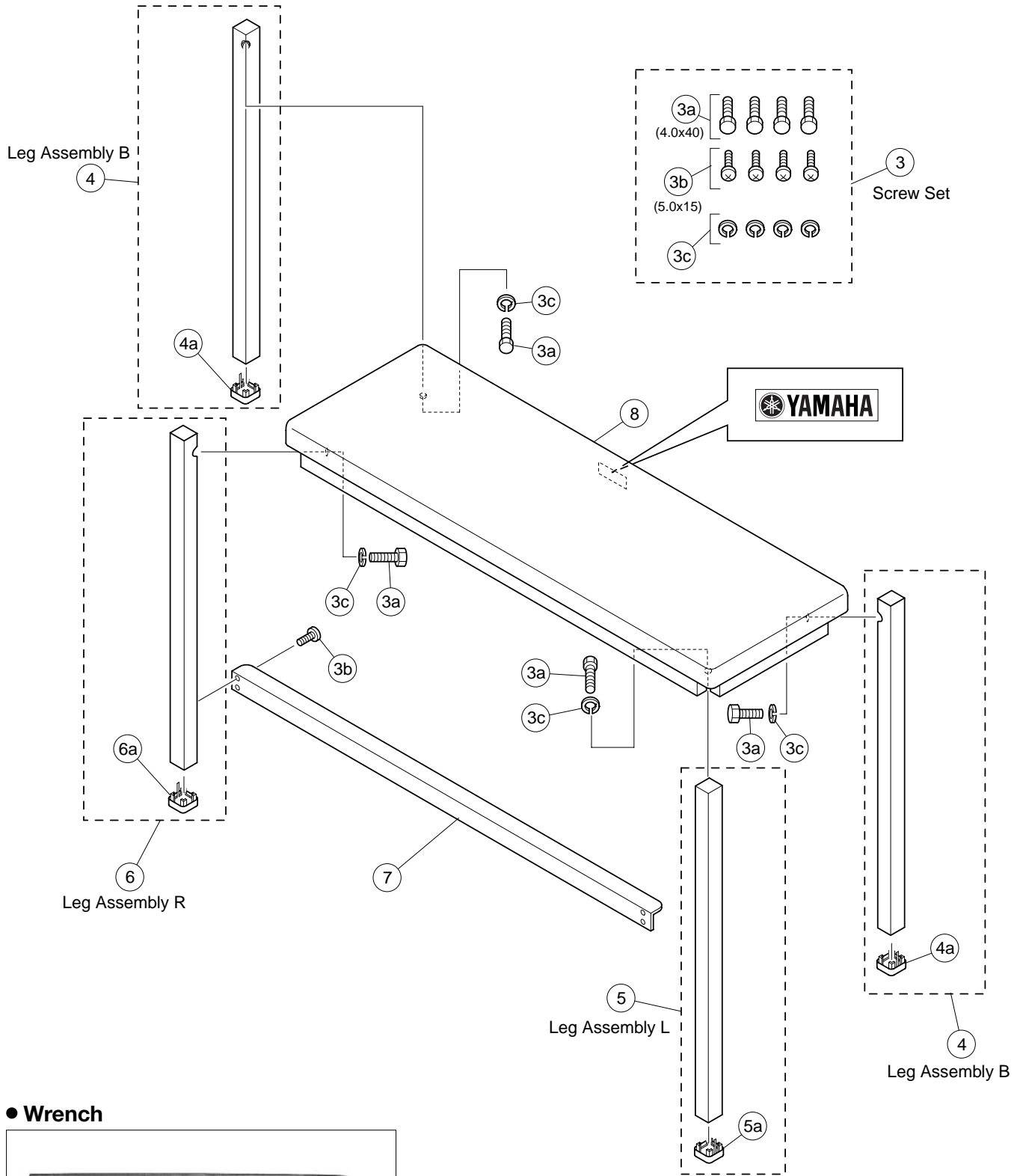


REF NO.	PART NO.	DESCRIPTION		REMARKS	QTY	RANK
*		EXP PEDAL	2ND GRAY	ELS-01C		
*	WB882300	EXP Pedal	2ND GRAY			
* 1	WB882900	EXP Pedal Plate Gray				
* 2	WB883100	Cover, Pedal Plate	2ND GRAY			
* 3	WB883300	Frame Gray				
4	VB444800	Piston Base				03
5	VB445800	Piston			2	02
6	VB445900	Piston Case			2	02
7	VA227600	Actuator				02
8	VA228300	Coil Spring				01
9	VB511900	Plate	1.0			02
10	VL346600	Stopper				04
11	VB512300	Coil Spring	M0.5		2	01
12	VJ465000	Shaft				02
13	VJ965300	Circuit Board	EXP (2ND)			07
14	VJ632200	Felt	32X12X2		2	03
16	EP600270	Bind Head Tapping Screw-P	3.0X10 MFZN2Y		2	01
17	EP600290	Bind Head Tapping Screw-P	3.0X6 MFZN2Y			01
18	EP640110	Bind Head Tapping Screw-P	4.0X12 MFZN2Y		2	01
19	EP640310	Flat Head Tapping Screw-P	4.0X16 MFZN2Y		4	01
20	VB514600	SE-shaped Ring	6.0		2	01
21	VB931600	Bind Head Tapping Screw-P	4.0X8 MFZN2BL		4	01
22	VC161100	Bind Head Tapping Screw-P	3.0X12 MFZN2BL		10	01
23	--	Grease	G-902	(VA01020)		
* 24	WB882600	Pedal Mat Gray				
25	VK955200	Cover	0.5			02

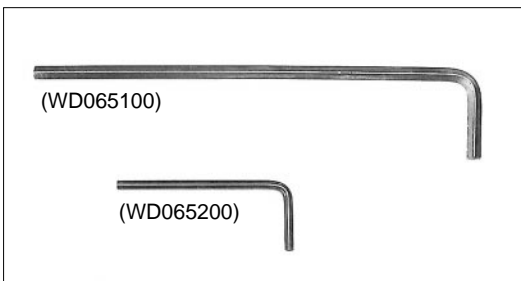
*: New Parts

RANK: Japan only

■ BENCH (ELS-01)



● Wrench



● Spanner

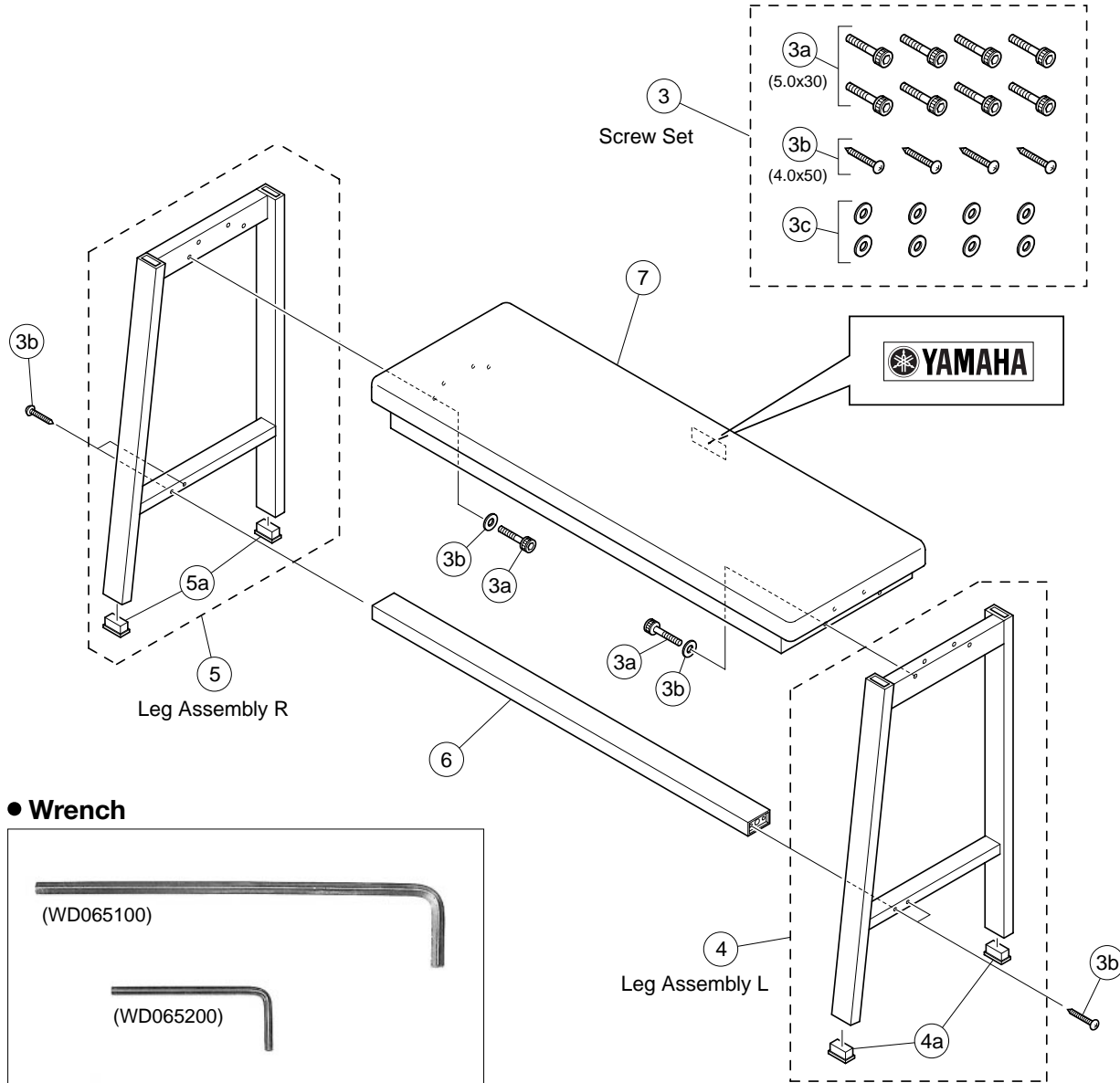


REF NO.	PART NO.	DESCRIPTION		REMARKS	QTY	RANK
		BENCH		ELS-01		
	--	Bench		J		
	--	Bench		(WB84730)		
*	3	WC913700		Q,V,K		
	3a	--	Hexagonal Bolt			4
	3b	--	Bind Head Screw			4
	3c	--	Spring Washer			4
*	4	WC917900	Leg Assembly B	REAR		2
*	4a	WC920700	Cap Gray			2
*	5	WC918100	Leg Assembly L	LEFT		
*	5a	WC920700	Cap Gray			
*	6	WC918200	Leg Assembly R	RIGHT		
*	6a	WC920700	Cap Gray			
*	7	WC921000	Foot Rest			
*	8	WC921300	Bench Board Assembly	J		
*	8a	WD065100	Wrench 6	J		
*	8b	WD065200	Wrench 4	J		
	8c	VT655900	Spanner	J		05
*	8	WD064500	Bench Board Assembly	Q,V,K		
	8c	VT655900	Spanner	Q,V,K		05
		ACCESSORIES				
*	WD065100	Wrench 6		J		
*	WD065200	Wrench 4		J		
	VT655900	Spanner				05

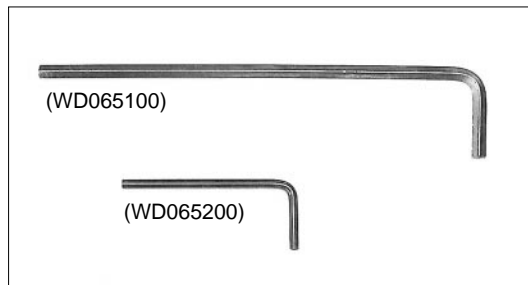
*: New Parts

RANK: Japan only

■ BENCH (ELS-01C)



● Wrench

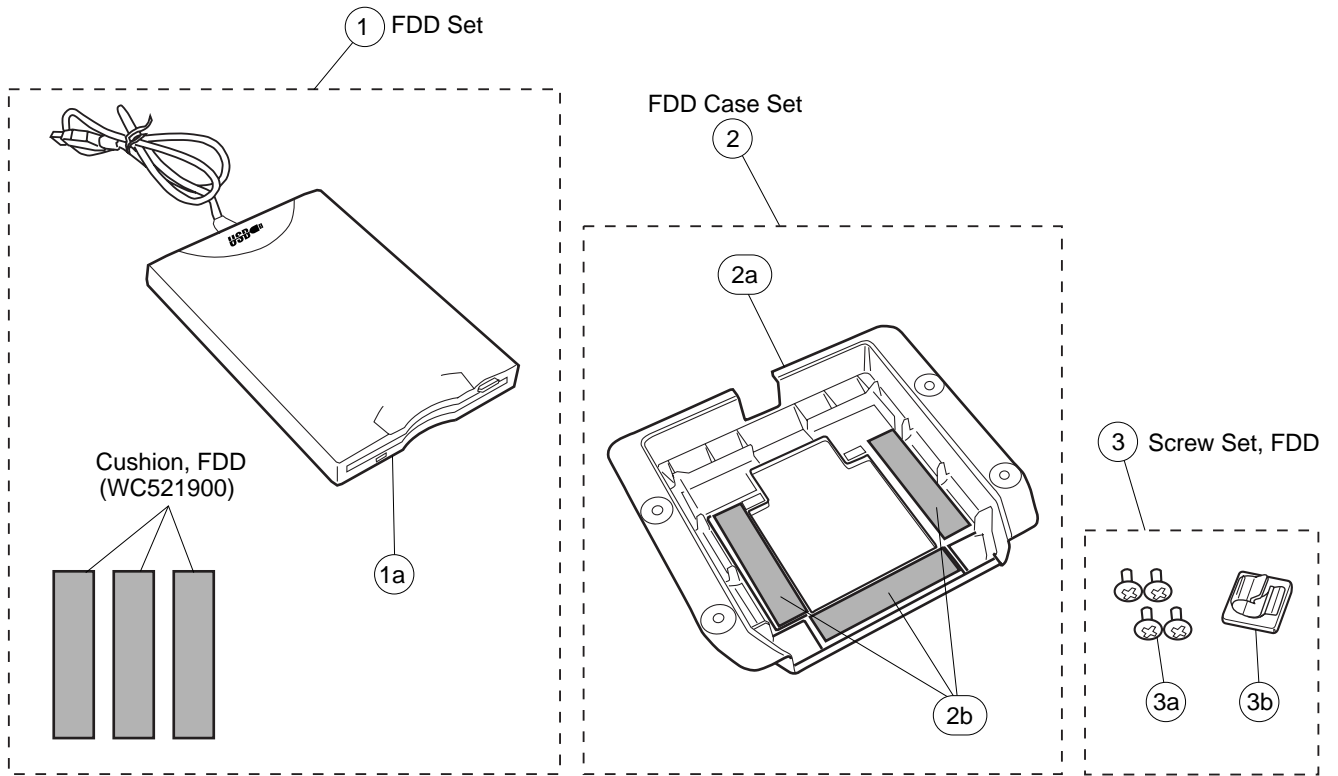


REF NO.	PART NO.	DESCRIPTION		REMARKS	QTY	RANK
	--	BENCH		ELS-01C		
	--	Bench		J		
	--	Bench		Q,V,K	(WB84720)	
*	3	WC925900	Screw Set			
	3a	--	Cap Screw	5.0X30		8
	3b	--	Truss Head Screw	4.0X50		4
	3c	--	Flat Washer			8
*	4	WC926000	Leg Assembly L	LEFT		
*	4a	WC926700	Cap			2
*	5	WC926100	Leg Assembly R	RIGHT		
*	5a	WC926700	Cap			2
*	6	WC926400	Foot Rest			
*	7	WC926500	Bench Board Assembly			
*	7a	WD065100	Wrench 6	J		
*	7b	WD065200	Wrench 4	J		
*	7	WD064300	Bench Board Assembly	Q,V,K		
*	7b	WD065200	Wrench 4	Q,V,K		
		ACCESSORIES				
*	WD065100	Wrench 6		J		
*	WD065200	Wrench 4				

*: New Parts

RANK: Japan only

UD-FD01 (OPTION ARTICLE)



REF NO.	PART NO.	DESCRIPTION		REMARKS	QTY	RANK
		OVERALL ASSEMBLY		UD-FD01		
* 1	AAX53660	FDD Set		WB87400+WC52190X3		
1a	--	FDD	USB-FDD YD-8U10	(WB87400)		
* 2	WC571200	FDD Case Set		(WC52210)		
2a	--	Holder, FDD				
* 2b	WC521900	Cushion, FDD	BLACK		3	
* 3	WD062800	Screw Set, FDD				
3a	VT196400	Truss Head Screw	4.0X10 MFZN2BL		4	01
3b	VP592100	Clamp	DKN-5B(VHB)			03

*: New Parts

RANK: Japan only

ELECTRICAL PARTS

REF NO.	PART NO.	DESCRIPTION	REMARKS	QTY	RANK
		ELECTRICAL PARTS	ELS-01/ELS-01C		
*	WB857000	Circuit Board	AJACK (WB55570)(X4469B0)		
*	WB752600	Circuit Board	CN (WB75250)(X4416B0)		
*	WB744100	Circuit Board	CN (WB74400)(X4416B0)		
*	WB744200	Circuit Board	SW (WB74400)(X4416B0)		
*	WC299100	Circuit Board	CP1 (WB42320)(X4395B0)		
*	WC299400	Circuit Board	CP4 (WB42320)(X4395B0)		
*	X5007A00	Hybrid IC	PMDEC3 (on CP4) (X4387C0)		
*	WC299200	Circuit Board	CP2 (X4396C0)		
*	X5001A00	Hybrid IC	PMDEC1 (on CP2) (X4387C0)		
*	X5006A00	Hybrid IC	PMDEC2 (on CP2) (X4387C0)		
*	WC299300	Circuit Board	CP3 (WB42270)(X4391D0)		
*	WC298700	Circuit Board	PN1 (WB42270)(X4391D0)		
*	WC298800	Circuit Board	PN2 (WB42270)(X4391D0)		
*	X5002A00	Hybrid IC	PMDEA (on PN2) (X4540C0)		
*	X5003A00	Hybrid IC	PMDEB (on PN1) (X4389D0)		
*	WC748000	Circuit Board	DAC1A (WC74790)(X5174B0)		
*	WB856700	Circuit Board	DJACK (WB55610)(X4470D0)		
*	WB761700	Circuit Board	DM2-EL (X4383C0)		
*	WC298900	Circuit Board	ENC1 (WB42300)(X4393D0)		
*	WC299000	Circuit Board	ENC2 (WB42300)(X4393D0)		
*	WC299700	Circuit Board	MVR (WB42300)(X4393D0)		
*	WC301600	Circuit Board	TEMPO (WB42300)(X4393D0)		
*	WB555200	Circuit Board	EQ ELS-01 (WB55460)(X4413A0)		
*	WB555100	Circuit Board	EQ ELS-01C (WB55450)(X4413A0)		
*	VJ965100	Circuit Board	EXP (2CH) (VL12810)(X1345A0)		07
*	VJ965300	Circuit Board	EXP (2ND) (VL12820)(X1346A0)		07
*	WC247200	Circuit Board	HP (WC24710)(XQ795A0)		
*	WB922900	Circuit Board	HUB ELS-01C (WB92300)(X4731A0)		
*	VJ965800	Circuit Board	KNELEV (VL12800)(X1347A0)		03
*	WB554800	Circuit Board	MA80N (WB55420)(X4384D0)		
*	WC031200	Circuit Board	MA80N Q,V,K (WC03130)(X4384D0)		
*	WB833200	Circuit Board	MBL (WB83310)(X4521C0)		
*	WB833300	Circuit Board	MBR (WB83310)(X4521C0)		
*	WD052700	Circuit Board	MIC (WD05260)(XV507D0)		
*	WB295500	Circuit Board	MK49L (WB29700)(X4270C0)		
*	WB295200	Circuit Board	MKH-A ELS-01C (X4269E0)		
	--	Circuit Board	EMKS-FA (E-BUS) ELS-01C FSVX-U(on MKH-A) (WB29710)(X4271E0)		
*	WB407700	Circuit Board	MKH-B ELS-01C (X4269E0)		
	--	Circuit Board	EMKS-FB (E-BUS) ELS-01C FSVX-L(on MKH-B) (WB40710)(X4271E0)		
*	WB407800	Circuit Board	MKH-C ELS-01 (X4269E0)		
	--	Circuit Board	EMKS-FC (E-BUS) ELS-01 FSX-U(on MKH-C) (WB40720)(X4271E0)		
*	WB407900	Circuit Board	MKH-D ELS-01 (X4269E0)		
	--	Circuit Board	EMKS-FD (E-BUS) ELS-01 FSX-L(on MKH-D) (WB40730)(X4271E0)		
*	WB744400	Circuit Board	MSP (WB74430)(X4412B0)		
*	WB752300	Circuit Board	NW-L ELS-01 (X4414A0)		
*	WB743800	Circuit Board	NW-L ELS-01C (X4414A0)		
*	WB752400	Circuit Board	NW-R ELS-01 (X4414A0)		
*	WB743900	Circuit Board	NW-R ELS-01C (X4414A0)		
*	WB902300	Circuit Board	PKH-EBUS ELS-01 (X4300C0)		
*	WB318200	Circuit Board	PKH-EBUS AF ELS-01C (X4300C0)		
*	WC079700	Circuit Board	PKL-EBUS ELS-01 (X4299C0)		
*	WB318100	Circuit Board	PKL-EBUS AF ELS-01C (X4299C0)		
*	WB704100	Circuit Board	SM (WB70390)(X4511C0)		
*	WB743600	Circuit Board	PRM (DM) (X4415B0)		
*	WB743700	Circuit Board	PRM (SP AMP) J (X4415B0)		
*	WB886900	Circuit Board	PRM (SP AMP) Q,K (X4415B0)		
*	WB887100	Circuit Board	PRM (SP AMP) V (X4415B0)		
*	WC300000	Circuit Board	PS1 (WB44630)(X4399D0)		
*	WC300100	Circuit Board	PS2 (WB44630)(X4399D0)		
*	WB871900	Circuit Board	TA (WC22970)(X4438D0)		
*	WB822500	Circuit Board	TG1-E1 (X4411C0)		
*	WB822600	Circuit Board	TG1-E2 (X4411C0)		
*	WB822700	Circuit Board	TG1-E3 ELS-01C (X4411C0)		
*	--	Circuit Board	TG2 ELS-01C (WB85680)(X4382C0)		
*	WD079300	Circuit Board	TG2A with Tape (X4382C0)		

*: New Parts

RANK: Japan only

REF NO.	PART NO.	DESCRIPTION		REMARKS	QTY	RANK
* ⚠	WB544600	Circuit Board	VA	ELS-01C (WB90540)(X4437B0)		
	WB501300	Power Supply Unit	CE,U,CS			
* ⚠	WB857000	Circuit Board	AJACK	(WB55570)(X4469B0)		
C0001	UR847470	Electrolytic Cap.	47.00 25.0V			01
C0002	UR847470	Electrolytic Cap.	47.00 25.0V			01
C0003	US063100	Ceramic Capacitor-B (chip)	1000P 50V K			01
C0004	US063100	Ceramic Capacitor-B (chip)	1000P 50V K			01
C0005	UR847470	Electrolytic Cap.	47.00 25.0V			01
C0006	UR847470	Electrolytic Cap.	47.00 25.0V			01
C0007	US062220	Ceramic Capacitor-SL(chip)	220P 50V J			01
C0008	US062220	Ceramic Capacitor-SL(chip)	220P 50V J			01
C0009	US062100	Ceramic Capacitor-SL(chip)	100P 50V J			01
C0010	US062100	Ceramic Capacitor-SL(chip)	100P 50V J			01
C0011	UN866470	Electrolytic Cap.-BP	4.70 50.0V			01
C0012	UN866470	Electrolytic Cap.-BP	4.70 50.0V			01
C0015	US063100	Ceramic Capacitor-B (chip)	1000P 50V K			01
C0016	US063100	Ceramic Capacitor-B (chip)	1000P 50V K			01
C0017	US061220	Ceramic Capacitor-CH(chip)	22P 50V J			01
C0019	US061220	Ceramic Capacitor-CH(chip)	22P 50V J			01
C0021	UN866470	Electrolytic Cap.-BP	4.70 50.0V			01
C0022	UN866470	Electrolytic Cap.-BP	4.70 50.0V			01
C0023	US063100	Ceramic Capacitor-B (chip)	1000P 50V K			01
C0024	US063100	Ceramic Capacitor-B (chip)	1000P 50V K			01
C0025	UR847470	Electrolytic Cap.	47.00 25.0V			01
C0026	UR847470	Electrolytic Cap.	47.00 25.0V			01
C0027	UR848220	Electrolytic Cap.	220.00 25.0V			01
C0028	UR848220	Electrolytic Cap.	220.00 25.0V			01
C0029	US064100	Ceramic Capacitor-B (chip)	0.0100 50V K			01
-0034	US064100	Ceramic Capacitor-B (chip)	0.0100 50V K			01
C0035	US062560	Ceramic Capacitor-SL(chip)	560P 50V J			01
C0036	US062560	Ceramic Capacitor-SL(chip)	560P 50V J			01
C0037	UR846470	Electrolytic Cap.	4.70 25.0V			01
C0038	UR846470	Electrolytic Cap.	4.70 25.0V			01
C0039	US062100	Ceramic Capacitor-SL(chip)	100P 50V J			01
C0040	US062100	Ceramic Capacitor-SL(chip)	100P 50V J			01
C0041	US061220	Ceramic Capacitor-CH(chip)	22P 50V J			01
C0042	US061220	Ceramic Capacitor-CH(chip)	22P 50V J			01
C0043	UR838100	Electrolytic Cap.	100.00 16.0V			01
C0044	US064100	Ceramic Capacitor-B (chip)	0.0100 50V K			01
C0045	UR838100	Electrolytic Cap.	100.00 16.0V			01
C0046	US064100	Ceramic Capacitor-B (chip)	0.0100 50V K			01
C0047	US145100	Ceramic Capacitor-F (chip)	0.1000 25V Z			01
C0048	US145100	Ceramic Capacitor-F (chip)	0.1000 25V Z			01
C0049	UN848220	Electrolytic Cap.-BP	220.00 25.0V			01
C0050	UN848220	Electrolytic Cap.-BP	220.00 25.0V			01
C0051	US064100	Ceramic Capacitor-B (chip)	0.0100 50V K			01
C0053	US064100	Ceramic Capacitor-B (chip)	0.0100 50V K			01
-0056	US064100	Ceramic Capacitor-B (chip)	0.0100 50V K			01
CN001	VB390700	Connector Base Post	PH 11P TE			01
CN002	VB390400	Connector Base Post	PH 8P TE			01
CN003	LB918020	Base Post Connector	XH 2P TE			01
CN004	VB390200	Connector Base Post	PH 6P TE			01
CN005	VB390600	Connector Base Post	PH 10P TE			01
CN006	VF283300	Connector Base Post	PH 15P TE			01
D0001	VB493900	Diode	MA221			01
-0003	VB493900	Diode	MA221			01
D0001	VV925900	Diode	RLS-73 TE-11			01
-0003	VV925900	Diode	RLS-73 TE-11			01
IC001	XF291A00	IC	UPC4570G2	OP AMP		03
IC002	XF291A00	IC	UPC4570G2	OP AMP		03
IC003	XT131A00	IC	LA6517M-TE-R	OP AMP		04
JK001	VP599300	Pin Jack	2P YKC21-3120	AUX OUT L/R (LEVEL FIXED)		02
JK002	VL080500	Phone Jack	YKB21-5076	AUX IN L/L+R		02
JK003	VS115400	Phone Jack Black	LGR4609-7000	AUX IN R		01
JK004	VL080500	Phone Jack	YKB21-5076	AUX OUT L/L+R		02
JK005	VS115400	Phone Jack Black	LGR4609-7000	AUX OUT R		01
L0001	RD350000	Carbon Resistor (chip)	0 63M J			01
-0006	RD350000	Carbon Resistor (chip)	0 63M J			01
R0005	RD355680	Carbon Resistor (chip)	680.0 63M J			01

*: New Parts

RANK: Japan only

REF NO.	PART NO.	DESCRIPTION	REMARKS	QTY	RANK
R0006	RD355680	Carbon Resistor (chip)	680.0 63M J		01
R0007	RD356470	Carbon Resistor (chip)	4.7K 63M J		01
R0008	RD356470	Carbon Resistor (chip)	4.7K 63M J		01
R0009	RD355100	Carbon Resistor (chip)	100.0 63M J		01
R0010	RD355100	Carbon Resistor (chip)	100.0 63M J		01
R0011	RD357120	Carbon Resistor (chip)	12.0K 63M J		01
-0016	RD357120	Carbon Resistor (chip)	12.0K 63M J		01
R0017	RD357470	Carbon Resistor (chip)	47.0K 63M J		01
R0018	RD357470	Carbon Resistor (chip)	47.0K 63M J		01
R0019	RD350000	Carbon Resistor (chip)	0 63M J		01
R0020	RD350000	Carbon Resistor (chip)	0 63M J		01
R0021	RD357470	Carbon Resistor (chip)	47.0K 63M J		01
R0022	RD357470	Carbon Resistor (chip)	47.0K 63M J		01
R0023	RD358100	Carbon Resistor (chip)	100.0K 63M J		01
R0024	RD358100	Carbon Resistor (chip)	100.0K 63M J		01
R0025	RD357100	Carbon Resistor (chip)	10.0K 63M J		01
R0026	RD357100	Carbon Resistor (chip)	10.0K 63M J		01
R0027	RD355680	Carbon Resistor (chip)	680.0 63M J		01
R0028	RD355680	Carbon Resistor (chip)	680.0 63M J		01
R0029	RD356470	Carbon Resistor (chip)	4.7K 63M J		01
R0030	RD356470	Carbon Resistor (chip)	4.7K 63M J		01
R0031	RD357100	Carbon Resistor (chip)	10.0K 63M J		01
R0032	RD357100	Carbon Resistor (chip)	10.0K 63M J		01
R0033	RD355100	Carbon Resistor (chip)	100.0 63M J		01
R0034	RD355100	Carbon Resistor (chip)	100.0 63M J		01
R0035	RD358100	Carbon Resistor (chip)	100.0K 63M J		01
R0036	RD358100	Carbon Resistor (chip)	100.0K 63M J		01
R0037	RD357470	Carbon Resistor (chip)	47.0K 63M J		01
R0038	RD357470	Carbon Resistor (chip)	47.0K 63M J		01
R0039	RD357560	Carbon Resistor (chip)	56.0K 63M J		01
R0040	RD357560	Carbon Resistor (chip)	56.0K 63M J		01
R0041	RD354330	Carbon Resistor (chip)	33.0 63M J		01
R0042	RD354330	Carbon Resistor (chip)	33.0 63M J		01
R0043	RD357100	Carbon Resistor (chip)	10.0K 63M J		01
R0044	RD357100	Carbon Resistor (chip)	10.0K 63M J		01
R0045	RD350000	Carbon Resistor (chip)	0 63M J		01
R0046	RD350000	Carbon Resistor (chip)	0 63M J		01
R0048	RD350000	Carbon Resistor (chip)	0 63M J		01
R0051	RD350000	Carbon Resistor (chip)	0 63M J		01
R0052	RD357470	Carbon Resistor (chip)	47.0K 63M J		01
R0053	RD356220	Carbon Resistor (chip)	2.2K 63M J		01
R0054	RD357220	Carbon Resistor (chip)	22.0K 63M J		01
R0055	RD356220	Carbon Resistor (chip)	2.2K 63M J		01
R0056	RD357220	Carbon Resistor (chip)	22.0K 63M J		01
R0058	RD357330	Carbon Resistor (chip)	33.0K 63M J		01
R0059	RD357330	Carbon Resistor (chip)	33.0K 63M J		01
R0061	RD350000	Carbon Resistor (chip)	0 63M J		01
R0064	RD355100	Carbon Resistor (chip)	100.0 63M J		01
R0065	RD355100	Carbon Resistor (chip)	100.0 63M J		01
RY001	V8245600	Relay	DC ATX203		04
-003	V8245600	Relay	DC ATX203		04
TR001	VJ927100	Transistor	2SC2712 Y		01
TR001	VV556400	Transistor	2SC2412K Q,R,S		01
TR001	VV925400	Transistor	2SC2712 GR		01
TR001	V4767500	Transistor	2SD601A-(TX) Q,R,S		01
TR002	VJ927100	Transistor	2SC2712 Y		01
TR002	VV556400	Transistor	2SC2412K Q,R,S		01
TR002	VV925400	Transistor	2SC2712 GR		01
TR002	V4767500	Transistor	2SD601A-(TX) Q,R,S		01
TR003	VV556500	Transistor	2SA1037AK Q,R,S		01
TR003	V8819500	Transistor	2SA1235A E,F		01
TR003	IB070900	Transistor	2SB709A P,Q,R,S		01
*	WB752600	Circuit Board	CN	ELS-01 (WB75250)(X4416B0)	
*	WB744100	Circuit Board	CN	ELS-01C (WB74400)(X4416B0)	
C0001	UR837100	Electrolytic Cap.	10.00 16.0V		01
CN001	LB932040	Base Post Connector	VH 4P TE		01
CN002	VB389800	Connector Base Post	PH 2P TE		01
CN003	VB389900	Connector Base Post	PH 3P TE		01
CN005	VB390000	Connector Base Post	PH 4P TE	ELS-01C	01

*: New Parts

RANK: Japan only

REF NO.	PART NO.	DESCRIPTION		REMARKS	QTY	RANK
CN006	LB932050	Base Post Connector	VH 5P TE			01
CN007	LB932060	Base Post Connector	VH 6P TE			01
R0001	HF756120	Carbon Resistor	1.2K 1/4 J			01
R0002	HF756120	Carbon Resistor	1.2K 1/4 J			01
* CN004	WB744200	Circuit Board	SW	ELS-01C (WB74400)(X4416B0)		
SW001	VB858300	Connector Base Post	PH 4P SE			01
	VQ545300	Slide Switch	SSSF012	REAR SPEAKER OFF/ON		02
*	WC299100	Circuit Board	CP1	(WB42320)(X4395B0)		
	VK804700	Rubber Switch Dark Gray	A-1 x1key	SUSTAIN PEDAL		05
	VK806900	Rubber Switch Dark Gray	A-3 x2keys	SUSTAIN UPPER(KNEE), SUSTAIN LOWER(KNEE)		05
	VK804900	Rubber Switch Dark Gray	B x7keys VR	REVERB(MAX-MIN)		05
	--	Jumper Wire	0.55	(VA07890)		
CN001	VB390500	Connector Base Post	PH 9P TE			03
DA001	VZ182300	Diode Array	DAP202K T146			01
-006	VZ182300	Diode Array	DAP202K T146			01
J101	RD150000	Carbon Resistor (chip)	0.0 1/4 J			01
-113	RD150000	Carbon Resistor (chip)	0.0 1/4 J			01
LD001	VN925500	LED (chip) Red	CL-170SD-CD-T	REVERB(MAX)		01
LD002	VN925500	LED (chip) Red	CL-170SD-CD-T	REVERB		01
LD003	VN925500	LED (chip) Red	CL-170SD-CD-T	REVERB		01
LD004	VN925500	LED (chip) Red	CL-170SD-CD-T	REVERB		01
LD005	VN925500	LED (chip) Red	CL-170SD-CD-T	REVERB		01
LD006	VN925500	LED (chip) Red	CL-170SD-CD-T	REVERB		01
LD007	VN925500	LED (chip) Red	CL-170SD-CD-T	REVERB(MIN)		01
LD008	VJ979600	LED (chip) Red	CL-150SD-CD	SUSTAIN UPPER(KNEE)		03
LD009	VJ979600	LED (chip) Red	CL-150SD-CD	SUSTAIN LOWER(KNEE)		03
LD010	VJ979600	LED (chip) Red	CL-150SD-CD	SUSTAIN PEDAL		03
*	WC299400	Circuit Board	CP4	(WB42320)(X4395B0)		
	VK807000	Rubber Switch Dark Gray	A-4 x6keys	LEAD VOICE 1, LEAD VOICE 2, PEDAL VOICE 1, PEDAL VOICE 2	4	05
	VK804900	Rubber Switch Dark Gray	B x7keys VR	BRILLIANCE, VOLUME	8	05
	--	Jumper Wire	0.55	(VA07890)		
C1	US064100	Ceramic Capacitor-B (chip)	0.0100 50V K			01
C2	US064100	Ceramic Capacitor-B (chip)	0.0100 50V K			01
CN02	VB390100	Connector Base Post	PH 5P TE			01
CN03	VB390600	Connector Base Post	PH 10P TE			01
CN04	VB390300	Connector Base Post	PH 7P TE			01
CN05	VB390000	Connector Base Post	PH 4P TE			01
DA01	VZ182300	Diode Array	DAP202K T146			01
-44	VZ182300	Diode Array	DAP202K T146			01
* HIC3	X5007A00	Hybrid IC	PMDEC3	(X4387C0)		
J01	RD150000	Carbon Resistor (chip)	0.0 1/4 J			01
-85	RD150000	Carbon Resistor (chip)	0.0 1/4 J			01
LD01	VJ979600	LED (chip) Red	CL-150SD-CD	LEAD VOICE 1 VIOLIN		03
LD02	VJ979600	LED (chip) Red	CL-150SD-CD	LEAD VOICE 1 FLUTE		03
LD03	VJ979600	LED (chip) Red	CL-150SD-CD	PEDAL VOICE 1 CONTRABASS		03
LD04	VJ979600	LED (chip) Red	CL-150SD-CD	PEDAL VOICE 1 TIMPANI		03
LD05	VJ979600	LED (chip) Red	CL-150SD-CD	LEAD VOICE 1 SYNTH		03
LD06	VJ979600	LED (chip) Red	CL-150SD-CD	LEAD VOICE 1 TRUMPET		03
LD07	VJ979600	LED (chip) Red	CL-150SD-CD	PEDAL VOICE 1 ELEC. BASS		03
LD08	VJ979600	LED (chip) Red	CL-150SD-CD	PEDAL VOICE 1 SYNTH BASS		03
LD09	VJ979600	LED (chip) Red	CL-150SD-CD	LEAD VOICE 1 1		03
LD10	VJ979600	LED (chip) Red	CL-150SD-CD	LEAD VOICE 1 TO LOWER		03
LD11	VJ979600	LED (chip) Red	CL-150SD-CD	PEDAL VOICE 1 1		03
LD12	VJ979600	LED (chip) Red	CL-150SD-CD	PEDAL VOICE 1 TO LOWER		03
LD13	VN925500	LED (chip) Red	CL-170SD-CD-T	LEAD VOICE 1 BRILLIANCE		01
LD14	VN925500	LED (chip) Red	CL-170SD-CD-T	LEAD VOICE 1 BRILLIANCE		01
LD15	VN925500	LED (chip) Red	CL-170SD-CD-T	LEAD VOICE 1 BRILLIANCE		01
LD16	VN925500	LED (chip) Red	CL-170SD-CD-T	LEAD VOICE 1 BRILLIANCE		01
LD17	VN925500	LED (chip) Red	CL-170SD-CD-T	LEAD VOICE 1 BRILLIANCE		01
LD18	VN925500	LED (chip) Red	CL-170SD-CD-T	LEAD VOICE 1 BRILLIANCE		01
LD19	VN925500	LED (chip) Red	CL-170SD-CD-T	LEAD VOICE 1 BRILLIANCE		01
LD20	VN925500	LED (chip) Red	CL-170SD-CD-T	PEDAL VOICE 1 BRILLIANCE		01
LD21	VN925500	LED (chip) Red	CL-170SD-CD-T	PEDAL VOICE 1 BRILLIANCE		01
LD22	VN925500	LED (chip) Red	CL-170SD-CD-T	PEDAL VOICE 1 BRILLIANCE		01
LD23	VN925500	LED (chip) Red	CL-170SD-CD-T	PEDAL VOICE 1 BRILLIANCE		01

*: New Parts

RANK: Japan only

REF NO.	PART NO.	DESCRIPTION		REMARKS	QTY	RANK
LD24	VN925500	LED (chip) Red	CL-170SD-CD-T	PEDAL VOICE 1 BRILLIANCE		01
LD25	VN925500	LED (chip) Red	CL-170SD-CD-T	PEDAL VOICE 1 BRILLIANCE		01
LD26	VN925500	LED (chip) Red	CL-170SD-CD-T	PEDAL VOICE 1 BRILLIANCE		01
LD27	VN925500	LED (chip) Red	CL-170SD-CD-T	LEAD VOICE 1 VOLUME		01
LD28	VN925500	LED (chip) Red	CL-170SD-CD-T	LEAD VOICE 1 VOLUME		01
LD29	VN925500	LED (chip) Red	CL-170SD-CD-T	LEAD VOICE 1 VOLUME		01
LD30	VN925500	LED (chip) Red	CL-170SD-CD-T	LEAD VOICE 1 VOLUME		01
LD31	VN925500	LED (chip) Red	CL-170SD-CD-T	LEAD VOICE 1 VOLUME		01
LD32	VN925500	LED (chip) Red	CL-170SD-CD-T	LEAD VOICE 1 VOLUME		01
LD33	VN925500	LED (chip) Red	CL-170SD-CD-T	LEAD VOICE 1 VOLUME		01
LD34	VN925500	LED (chip) Red	CL-170SD-CD-T	PEDAL VOICE 1 VOLUME		01
LD35	VN925500	LED (chip) Red	CL-170SD-CD-T	PEDAL VOICE 1 VOLUME		01
LD36	VN925500	LED (chip) Red	CL-170SD-CD-T	PEDAL VOICE 1 VOLUME		01
LD37	VN925500	LED (chip) Red	CL-170SD-CD-T	PEDAL VOICE 1 VOLUME		01
LD38	VN925500	LED (chip) Red	CL-170SD-CD-T	PEDAL VOICE 1 VOLUME		01
LD39	VN925500	LED (chip) Red	CL-170SD-CD-T	PEDAL VOICE 1 VOLUME		01
LD40	VN925500	LED (chip) Red	CL-170SD-CD-T	PEDAL VOICE 1 VOLUME		01
LD41	VJ979600	LED (chip) Red	CL-150SD-CD	LEAD VOICE 2 VA ACOUSTIC		03
LD42	VJ979600	LED (chip) Red	CL-150SD-CD	LEAD VOICE2 VA ELECTRONIC		03
LD43	VJ979600	LED (chip) Red	CL-150SD-CD	PEDAL VOICE 2 CONTRABASS		03
LD44	VJ979600	LED (chip) Red	CL-150SD-CD	PEDAL VOICE 2 TIMPANI		03
LD45	VJ979600	LED (chip) Red	CL-150SD-CD	LEAD VOICE 2 VA VIRTUAL		03
LD46	VJ979600	LED (chip) Red	CL-150SD-CD	LEAD VOICE 2 VA CUSTOM		03
LD47	VJ979600	LED (chip) Red	CL-150SD-CD	PEDAL VOICE 2 ELEC. BASS		03
LD48	VJ979600	LED (chip) Red	CL-150SD-CD	PEDAL VOICE 2 SYNTH BASS		03
LD49	VJ979600	LED (chip) Red	CL-150SD-CD	LEAD VOICE 2 1		03
LD50	VJ979600	LED (chip) Red	CL-150SD-CD	LEAD VOICE 2 SOLO(KNEE)		03
LD51	VJ979600	LED (chip) Red	CL-150SD-CD	PEDAL VOICE 2 1		03
LD52	VJ979600	LED (chip) Red	CL-150SD-CD	PEDAL VOICE 2 TO LOWER		03
LD53	VN925500	LED (chip) Red	CL-170SD-CD-T	LEAD VOICE 2 BRILLIANCE		01
LD54	VN925500	LED (chip) Red	CL-170SD-CD-T	LEAD VOICE 2 BRILLIANCE		01
LD55	VN925500	LED (chip) Red	CL-170SD-CD-T	LEAD VOICE 2 BRILLIANCE		01
LD56	VN925500	LED (chip) Red	CL-170SD-CD-T	LEAD VOICE 2 BRILLIANCE		01
LD57	VN925500	LED (chip) Red	CL-170SD-CD-T	LEAD VOICE 2 BRILLIANCE		01
LD58	VN925500	LED (chip) Red	CL-170SD-CD-T	LEAD VOICE 2 BRILLIANCE		01
LD59	VN925500	LED (chip) Red	CL-170SD-CD-T	LEAD VOICE 2 BRILLIANCE		01
LD60	VN925500	LED (chip) Red	CL-170SD-CD-T	PEDAL VOICE 2 BRILLIANCE		01
LD61	VN925500	LED (chip) Red	CL-170SD-CD-T	PEDAL VOICE 2 BRILLIANCE		01
LD62	VN925500	LED (chip) Red	CL-170SD-CD-T	PEDAL VOICE 2 BRILLIANCE		01
LD63	VN925500	LED (chip) Red	CL-170SD-CD-T	PEDAL VOICE 2 BRILLIANCE		01
LD64	VN925500	LED (chip) Red	CL-170SD-CD-T	PEDAL VOICE 2 BRILLIANCE		01
LD65	VN925500	LED (chip) Red	CL-170SD-CD-T	PEDAL VOICE 2 BRILLIANCE		01
LD66	VN925500	LED (chip) Red	CL-170SD-CD-T	PEDAL VOICE 2 BRILLIANCE		01
LD67	VN925500	LED (chip) Red	CL-170SD-CD-T	LEAD VOICE 2 VOLUME		01
LD68	VN925500	LED (chip) Red	CL-170SD-CD-T	LEAD VOICE 2 VOLUME		01
LD69	VN925500	LED (chip) Red	CL-170SD-CD-T	LEAD VOICE 2 VOLUME		01
LD70	VN925500	LED (chip) Red	CL-170SD-CD-T	LEAD VOICE 2 VOLUME		01
LD71	VN925500	LED (chip) Red	CL-170SD-CD-T	LEAD VOICE 2 VOLUME		01
LD72	VN925500	LED (chip) Red	CL-170SD-CD-T	LEAD VOICE 2 VOLUME		01
LD73	VN925500	LED (chip) Red	CL-170SD-CD-T	LEAD VOICE 2 VOLUME		01
LD74	VN925500	LED (chip) Red	CL-170SD-CD-T	PEDAL VOICE 2 VOLUME		01
LD75	VN925500	LED (chip) Red	CL-170SD-CD-T	PEDAL VOICE 2 VOLUME		01
LD76	VN925500	LED (chip) Red	CL-170SD-CD-T	PEDAL VOICE 2 VOLUME		01
LD77	VN925500	LED (chip) Red	CL-170SD-CD-T	PEDAL VOICE 2 VOLUME		01
LD78	VN925500	LED (chip) Red	CL-170SD-CD-T	PEDAL VOICE 2 VOLUME		01
LD79	VN925500	LED (chip) Red	CL-170SD-CD-T	PEDAL VOICE 2 VOLUME		01
LD80	VN925500	LED (chip) Red	CL-170SD-CD-T	PEDAL VOICE 2 VOLUME		01
*	X5007A00	Hybrid IC	PMDEC3 (on CP4)	(X4387C0)		
	VT671000	Read Frame	PK1.8-0.7-7.5			
C01	US062470	Ceramic Capacitor-SL(chip)	470P 50V J			01
-16	US062470	Ceramic Capacitor-SL(chip)	470P 50V J			01
C17	US064100	Ceramic Capacitor-B (chip)	0.0100 50V K			01
C18	UF037100	Electrolytic Cap. (chip)	10 16V			01
C19	UF037100	Electrolytic Cap. (chip)	10 16V			01
C20	US064100	Ceramic Capacitor-B (chip)	0.0100 50V K			01
-22	US064100	Ceramic Capacitor-B (chip)	0.0100 50V K			01
C23	UF037100	Electrolytic Cap. (chip)	10 16V			01
C24	UF128220	Electrolytic Cap. (chip)	220 10V UUR1A2			01
C25	UF128220	Electrolytic Cap. (chip)	220 10V UUR1A2			01

*: New Parts

RANK: Japan only

REF NO.	PART NO.	DESCRIPTION		REMARKS	QTY	RANK
C26	US064100	Ceramic Capacitor-B (chip)	0.0100 50V K			01
C27	US064100	Ceramic Capacitor-B (chip)	0.0100 50V K			01
C51	US064100	Ceramic Capacitor-B (chip)	0.0100 50V K			01
C52	US061330	Ceramic Capacitor-CH(chip)	33P 50V J			01
C53	US061330	Ceramic Capacitor-CH(chip)	33P 50V J			01
C54	US064100	Ceramic Capacitor-B (chip)	0.0100 50V K			01
C55	UF128220	Electrolytic Cap. (chip)	220 10V UUR1A2			01
C56	US064100	Ceramic Capacitor-B (chip)	0.0100 50V K			01
C57	UF128220	Electrolytic Cap. (chip)	220 10V UUR1A2			01
D01	VT332900	Diode	1SS355 TE-17			01
D02	VT332900	Diode	1SS355 TE-17			01
D04	VT332900	Diode	1SS355 TE-17			01
-11	VT332900	Diode	1SS355 TE-17			01
IC1	XZ916200	IC	UPD780031AYGK-N05	LED DRIVER/SWITCH SCAN		01
L01	VT872900	Chip Inductance	0.22U LEM2520TR22K			01
L02	VR579900	Chip Inductance	BK2125HS601-T			01
-04	VR579900	Chip Inductance	BK2125HS601-T			01
L05	VT872900	Chip Inductance	0.22U LEM2520TR22K			01
R01	RD357100	Carbon Resistor (chip)	10.0K 63M J			01
-17	RD357100	Carbon Resistor (chip)	10.0K 63M J			01
R18	RD254470	Carbon Resistor (chip)	47.0 0.1 J			01
-30	RD254470	Carbon Resistor (chip)	47.0 0.1 J			01
R31	RD356100	Carbon Resistor (chip)	1.0K 63M J			01
R32	RD354470	Carbon Resistor (chip)	47.0 63M J			01
-35	RD354470	Carbon Resistor (chip)	47.0 63M J			01
TA1	V8566600	Transistor Array	TD62785F(EL)			05
TA2	V8566600	Transistor Array	TD62785F(EL)			05
TR01	WA013100	Digital Transistor	DTDG23YP T100			01
-10	WA013100	Digital Transistor	DTDG23YP T100			01
X01	V6150500	Ceramic Resonator	8.38MHz EFOS8384E5			01
*	WC299200	Circuit Board	CP2	(X4396C0)		
	--	Jumper Wire	0.55	(VA07890)		
C0001	US064100	Ceramic Capacitor-B (chip)	0.0100 50V K			01
-0004	US064100	Ceramic Capacitor-B (chip)	0.0100 50V K			01
CN002	VB390300	Connector Base Post	PH 7P TE			01
CN003	VB390100	Connector Base Post	PH 5P TE			01
CN004	VB390500	Connector Base Post	PH 9P TE			03
DA001	VZ182300	Diode Array	DAP202K T146			01
-060	VZ182300	Diode Array	DAP202K T146			01
* HIC01	X5001A00	Hybrid IC	PMDEC1	(X4387C0)		
* HIC02	X5006A00	Hybrid IC	PMDEC2	(X4387C0)		
J1	RD150000	Carbon Resistor (chip)	0.0 1/4 J			01
-86	RD150000	Carbon Resistor (chip)	0.0 1/4 J			01
J88	RD150000	Carbon Resistor (chip)	0.0 1/4 J			01
-160	RD150000	Carbon Resistor (chip)	0.0 1/4 J			01
LD001	VJ979600	LED (chip) Red	CL-150SD-CD	UK VOICE 1 STRINGS		03
LD002	VJ979600	LED (chip) Red	CL-150SD-CD	UK VOICE 1 PIANO		03
LD003	VJ979600	LED (chip) Red	CL-150SD-CD	LK VOICE 1 STRINGS		03
LD004	VJ979600	LED (chip) Red	CL-150SD-CD	LK VOICE 1 PIANO		03
LD005	VJ979600	LED (chip) Red	CL-150SD-CD	UK VOICE 1 BRASS		03
LD006	VJ979600	LED (chip) Red	CL-150SD-CD	UK VOICE 1 ORGAN		03
LD007	VJ979600	LED (chip) Red	CL-150SD-CD	LK VOICE 1 BRASS		03
LD008	VJ979600	LED (chip) Red	CL-150SD-CD	LK VOICE 1 ORGAN		03
LD009	VJ979600	LED (chip) Red	CL-150SD-CD	UK VOICE 1 WOODWIND		03
LD010	VJ979600	LED (chip) Red	CL-150SD-CD	UK VOICE 1 PERCUSSION		03
LD011	VJ979600	LED (chip) Red	CL-150SD-CD	LK VOICE 1 WOODWIND		03
LD012	VJ979600	LED (chip) Red	CL-150SD-CD	LK VOICE 1 PERCUSSION		03
LD013	VJ979600	LED (chip) Red	CL-150SD-CD	UK VOICE 1 TUTTI		03
LD014	VJ979600	LED (chip) Red	CL-150SD-CD	UK VOICE 1 GUITAR		03
LD015	VJ979600	LED (chip) Red	CL-150SD-CD	LK VOICE 1 TUTTI		03
LD016	VJ979600	LED (chip) Red	CL-150SD-CD	LK VOICE 1 GUITAR		03
LD017	VJ979600	LED (chip) Red	CL-150SD-CD	UK VOICE 1 PAD		03
LD018	VJ979600	LED (chip) Red	CL-150SD-CD	UK VOICE 1 CHOIR		03
LD019	VJ979600	LED (chip) Red	CL-150SD-CD	LK VOICE 1 PAD		03
LD020	VJ979600	LED (chip) Red	CL-150SD-CD	LK VOICE 1 CHOIR		03
LD021	VJ979600	LED (chip) Red	CL-150SD-CD	UK VOICE 1 SYNTH		03
LD022	VJ979600	LED (chip) Red	CL-150SD-CD	UK VOICE 1 WORLD		03
LD023	VJ979600	LED (chip) Red	CL-150SD-CD	LK VOICE 1 SYNTH		03
LD024	VJ979600	LED (chip) Red	CL-150SD-CD	LK VOICE 1 WORLD		03

*: New Parts

RANK: Japan only

REF NO.	PART NO.	DESCRIPTION	REMARKS	QTY	RANK
LD025	VJ979600	LED (chip) Red	CL-150SD-CD		03
LD026	VJ979600	LED (chip) Red	CL-150SD-CD		03
LD027	VJ979600	LED (chip) Red	CL-150SD-CD		03
LD028	VJ979600	LED (chip) Red	CL-150SD-CD		03
LD029	VN925500	LED (chip) Red	CL-170SD-CD-T		01
LD030	VN925500	LED (chip) Red	CL-170SD-CD-T		01
LD031	VN925500	LED (chip) Red	CL-170SD-CD-T		01
LD032	VN925500	LED (chip) Red	CL-170SD-CD-T		01
LD033	VN925500	LED (chip) Red	CL-170SD-CD-T		01
LD034	VN925500	LED (chip) Red	CL-170SD-CD-T		01
LD035	VN925500	LED (chip) Red	CL-170SD-CD-T		01
LD036	VN925500	LED (chip) Red	CL-170SD-CD-T		01
LD037	VN925500	LED (chip) Red	CL-170SD-CD-T		01
LD038	VN925500	LED (chip) Red	CL-170SD-CD-T		01
LD039	VN925500	LED (chip) Red	CL-170SD-CD-T		01
LD040	VN925500	LED (chip) Red	CL-170SD-CD-T		01
LD041	VN925500	LED (chip) Red	CL-170SD-CD-T		01
LD042	VN925500	LED (chip) Red	CL-170SD-CD-T		01
LD043	VN925500	LED (chip) Red	CL-170SD-CD-T		01
LD044	VN925500	LED (chip) Red	CL-170SD-CD-T		01
LD045	VN925500	LED (chip) Red	CL-170SD-CD-T		01
LD046	VN925500	LED (chip) Red	CL-170SD-CD-T		01
LD047	VN925500	LED (chip) Red	CL-170SD-CD-T		01
LD048	VN925500	LED (chip) Red	CL-170SD-CD-T		01
LD049	VN925500	LED (chip) Red	CL-170SD-CD-T		01
LD050	VN925500	LED (chip) Red	CL-170SD-CD-T		01
LD051	VN925500	LED (chip) Red	CL-170SD-CD-T		01
LD052	VN925500	LED (chip) Red	CL-170SD-CD-T		01
LD053	VN925500	LED (chip) Red	CL-170SD-CD-T		01
LD054	VN925500	LED (chip) Red	CL-170SD-CD-T		01
LD055	VN925500	LED (chip) Red	CL-170SD-CD-T		01
LD056	VN925500	LED (chip) Red	CL-170SD-CD-T		01
LD057	VJ979600	LED (chip) Red	CL-150SD-CD		03
LD058	VJ979600	LED (chip) Red	CL-150SD-CD		03
LD059	VJ979600	LED (chip) Red	CL-150SD-CD		03
LD060	VJ979600	LED (chip) Red	CL-150SD-CD		03
LD061	VJ979600	LED (chip) Red	CL-150SD-CD		03
LD062	VJ979600	LED (chip) Red	CL-150SD-CD		03
LD063	VJ979600	LED (chip) Red	CL-150SD-CD		03
LD064	VJ979600	LED (chip) Red	CL-150SD-CD		03
LD065	VJ979600	LED (chip) Red	CL-150SD-CD		03
LD066	VJ979600	LED (chip) Red	CL-150SD-CD		03
LD067	VJ979600	LED (chip) Red	CL-150SD-CD		03
LD068	VJ979600	LED (chip) Red	CL-150SD-CD		03
LD069	VJ979600	LED (chip) Red	CL-150SD-CD		03
LD070	VJ979600	LED (chip) Red	CL-150SD-CD		03
LD071	VJ979600	LED (chip) Red	CL-150SD-CD		03
LD072	VJ979600	LED (chip) Red	CL-150SD-CD		03
LD073	VJ979600	LED (chip) Red	CL-150SD-CD		03
LD074	VJ979600	LED (chip) Red	CL-150SD-CD		03
LD075	VJ979600	LED (chip) Red	CL-150SD-CD		03
LD076	VJ979600	LED (chip) Red	CL-150SD-CD		03
LD077	VJ979600	LED (chip) Red	CL-150SD-CD		03
LD078	VJ979600	LED (chip) Red	CL-150SD-CD		03
LD079	VJ979600	LED (chip) Red	CL-150SD-CD		03
LD080	VJ979600	LED (chip) Red	CL-150SD-CD		03
LD081	VJ979600	LED (chip) Red	CL-150SD-CD		03
LD082	VJ979600	LED (chip) Red	CL-150SD-CD		03
LD083	VJ979600	LED (chip) Red	CL-150SD-CD		03
LD084	VJ979600	LED (chip) Red	CL-150SD-CD		03
LD085	VN925500	LED (chip) Red	CL-170SD-CD-T		01
LD086	VN925500	LED (chip) Red	CL-170SD-CD-T		01
LD087	VN925500	LED (chip) Red	CL-170SD-CD-T		01
LD088	VN925500	LED (chip) Red	CL-170SD-CD-T		01
LD089	VN925500	LED (chip) Red	CL-170SD-CD-T		01
LD090	VN925500	LED (chip) Red	CL-170SD-CD-T		01
LD091	VN925500	LED (chip) Red	CL-170SD-CD-T		01
LD092	VN925500	LED (chip) Red	CL-170SD-CD-T		01
LD093	VN925500	LED (chip) Red	CL-170SD-CD-T		01
LD094	VN925500	LED (chip) Red	CL-170SD-CD-T		01

*: New Parts

RANK: Japan only

REF NO.	PART NO.	DESCRIPTION		REMARKS	QTY	RANK
LD095	VN925500	LED (chip) Red	CL-170SD-CD-T	LK VOICE 2 BRILLIANCE		01
LD096	VN925500	LED (chip) Red	CL-170SD-CD-T	LK VOICE 2 BRILLIANCE		01
LD097	VN925500	LED (chip) Red	CL-170SD-CD-T	LK VOICE 2 BRILLIANCE		01
LD098	VN925500	LED (chip) Red	CL-170SD-CD-T	LK VOICE 2 BRILLIANCE		01
LD099	VN925500	LED (chip) Red	CL-170SD-CD-T	UK VOICE 2 VOLUME		01
LD100	VN925500	LED (chip) Red	CL-170SD-CD-T	UK VOICE 2 VOLUME		01
LD101	VN925500	LED (chip) Red	CL-170SD-CD-T	UK VOICE 2 VOLUME		01
LD102	VN925500	LED (chip) Red	CL-170SD-CD-T	UK VOICE 2 VOLUME		01
LD103	VN925500	LED (chip) Red	CL-170SD-CD-T	UK VOICE 2 VOLUME		01
LD104	VN925500	LED (chip) Red	CL-170SD-CD-T	UK VOICE 2 VOLUME		01
LD105	VN925500	LED (chip) Red	CL-170SD-CD-T	UK VOICE 2 VOLUME		01
LD106	VN925500	LED (chip) Red	CL-170SD-CD-T	LK VOICE 2 VOLUME		01
LD107	VN925500	LED (chip) Red	CL-170SD-CD-T	LK VOICE 2 VOLUME		01
LD108	VN925500	LED (chip) Red	CL-170SD-CD-T	LK VOICE 2 VOLUME		01
LD109	VN925500	LED (chip) Red	CL-170SD-CD-T	LK VOICE 2 VOLUME		01
LD110	VN925500	LED (chip) Red	CL-170SD-CD-T	LK VOICE 2 VOLUME		01
LD111	VN925500	LED (chip) Red	CL-170SD-CD-T	LK VOICE 2 VOLUME		01
LD112	VN925500	LED (chip) Red	CL-170SD-CD-T	LK VOICE 2 VOLUME		01
RS001	VK804900	Rubber Switch Dark Gray	B x7keys VR	UK VOICE 1,2,LK VOICE 1,2,		05
-008	VK804900	Rubber Switch Dark Gray	B x7keys VR	BRILLIANCE,VOLUME		05
RS009	VK807100	Rubber Switch	A-5 x14keys	UPPER KEYBOARD VOICE 1,2,		07
-012	VK807100	Rubber Switch	A-5 x14keys	LOWER KEYBOARD VOICE 1,2		07
*	X5001A00	Hybrid IC	PMDEC1 (on CP2)	(X4387C0)		
	VT671000	Read Frame	PK1.8-0.7-7.5			
C01	US062470	Ceramic Capacitor-SL(chip)	470P 50V J			01
-16	US062470	Ceramic Capacitor-SL(chip)	470P 50V J			01
C17	US064100	Ceramic Capacitor-B (chip)	0.0100 50V K			01
C18	UF037100	Electrolytic Cap. (chip)	10 16V			01
C19	UF037100	Electrolytic Cap. (chip)	10 16V			01
C20	US064100	Ceramic Capacitor-B (chip)	0.0100 50V K			01
-22	US064100	Ceramic Capacitor-B (chip)	0.0100 50V K			01
C23	UF037100	Electrolytic Cap. (chip)	10 16V			01
C24	UF128220	Electrolytic Cap. (chip)	220 10V UUR1A2			01
C25	UF128220	Electrolytic Cap. (chip)	220 10V UUR1A2			01
C26	US064100	Ceramic Capacitor-B (chip)	0.0100 50V K			01
C27	US064100	Ceramic Capacitor-B (chip)	0.0100 50V K			01
C51	US064100	Ceramic Capacitor-B (chip)	0.0100 50V K			01
C52	US061330	Ceramic Capacitor-CH(chip)	33P 50V J			01
C53	US061330	Ceramic Capacitor-CH(chip)	33P 50V J			01
C54	US064100	Ceramic Capacitor-B (chip)	0.0100 50V K			01
C55	UF128220	Electrolytic Cap. (chip)	220 10V UUR1A2			01
C56	US064100	Ceramic Capacitor-B (chip)	0.0100 50V K			01
C57	UF128220	Electrolytic Cap. (chip)	220 10V UUR1A2			01
D01	VT332900	Diode	1SS355 TE-17			01
D03	VT332900	Diode	1SS355 TE-17			01
-11	VT332900	Diode	1SS355 TE-17			01
IC1	XZ916200	IC	UPD780031AYGK-N05	LED DRIVER/SWITCH SCAN		
L01	VT872900	Chip Inductance	0.22U LEM2520TR22K			01
L02	VR579900	Chip Inductance	BK2125HS601-T			01
-04	VR579900	Chip Inductance	BK2125HS601-T			01
L05	VT872900	Chip Inductance	0.22U LEM2520TR22K			01
R01	RD357100	Carbon Resistor (chip)	10.0K 63M J			01
-17	RD357100	Carbon Resistor (chip)	10.0K 63M J			01
R18	RD254470	Carbon Resistor (chip)	47.0 0.1 J			01
-30	RD254470	Carbon Resistor (chip)	47.0 0.1 J			01
R31	RD356100	Carbon Resistor (chip)	1.0K 63M J			01
R32	RD354470	Carbon Resistor (chip)	47.0 63M J			01
-35	RD354470	Carbon Resistor (chip)	47.0 63M J			01
TA1	V8566600	Transistor Array	TD62785F(EL)			05
TA2	V8566600	Transistor Array	TD62785F(EL)			05
TR01	WA013100	Digital Transistor	DTDG23YP T100			01
-10	WA013100	Digital Transistor	DTDG23YP T100			01
X01	V6150500	Ceramic Resonator	8.38MHz EFOS8384E5			01
*	X5006A00	Hybrid IC	PMDEC2 (on CP2)	(X4387C0)		
	VT671000	Read Frame	PK1.8-0.7-7.5			
C01	US062470	Ceramic Capacitor-SL(chip)	470P 50V J			01
-16	US062470	Ceramic Capacitor-SL(chip)	470P 50V J			01
C17	US064100	Ceramic Capacitor-B (chip)	0.0100 50V K			01

*: New Parts

RANK: Japan only

REF NO.	PART NO.	DESCRIPTION		REMARKS	QTY	RANK
C18	UF037100	Electrolytic Cap. (chip)	10 16V			01
C19	UF037100	Electrolytic Cap. (chip)	10 16V			01
C20	US064100	Ceramic Capacitor-B (chip)	0.0100 50V K			01
-22	US064100	Ceramic Capacitor-B (chip)	0.0100 50V K			01
C23	UF037100	Electrolytic Cap. (chip)	10 16V			01
C24	UF128220	Electrolytic Cap. (chip)	220 10V UUR1A2			01
C25	UF128220	Electrolytic Cap. (chip)	220 10V UUR1A2			01
C26	US064100	Ceramic Capacitor-B (chip)	0.0100 50V K			01
C27	US064100	Ceramic Capacitor-B (chip)	0.0100 50V K			01
C51	US064100	Ceramic Capacitor-B (chip)	0.0100 50V K			01
C52	US061330	Ceramic Capacitor-CH(chip)	33P 50V J			01
C53	US061330	Ceramic Capacitor-CH(chip)	33P 50V J			01
C54	US064100	Ceramic Capacitor-B (chip)	0.0100 50V K			01
C55	UF128220	Electrolytic Cap. (chip)	220 10V UUR1A2			01
C56	US064100	Ceramic Capacitor-B (chip)	0.0100 50V K			01
C57	UF128220	Electrolytic Cap. (chip)	220 10V UUR1A2			01
D03	VT332900	Diode	1SS355 TE-17			01
-11	VT332900	Diode	1SS355 TE-17			01
IC1	XZ916200	IC	UPD780031AYGK-N05	LED DRIVER/SWITCH SCAN		
L01	VT872900	Chip Inductance	0.22U LEM2520TR22K			01
L02	VR579900	Chip Inductance	BK2125HS601-T			01
-04	VR579900	Chip Inductance	BK2125HS601-T			01
L05	VT872900	Chip Inductance	0.22U LEM2520TR22K			01
R01	RD357100	Carbon Resistor (chip)	10.0K 63M J			01
-17	RD357100	Carbon Resistor (chip)	10.0K 63M J			01
R18	RD254470	Carbon Resistor (chip)	47.0 0.1 J			01
-30	RD254470	Carbon Resistor (chip)	47.0 0.1 J			01
R31	RD356100	Carbon Resistor (chip)	1.0K 63M J			01
R32	RD354470	Carbon Resistor (chip)	47.0 63M J			01
-35	RD354470	Carbon Resistor (chip)	47.0 63M J			01
TA1	V8566600	Transistor Array	TD62785F(EL)			05
TA2	V8566600	Transistor Array	TD62785F(EL)			05
TR01	WA013100	Digital Transistor	DTDG23YP T100			01
-10	WA013100	Digital Transistor	DTDG23YP T100			01
X01	V6150500	Ceramic Resonator	8.38MHz EFOS8384E5			01
*	WC299300	Circuit Board	CP3	(WB42270)(X4391D0)		
CN001	VB390600	Connector Base Post	PH 10P TE			01
DA001	VZ182300	Diode Array	DAP202K T146			01
-006	VZ182300	Diode Array	DAP202K T146			01
J001	RD150000	Carbon Resistor (chip)	0.0 1/4 J			01
-022	RD150000	Carbon Resistor (chip)	0.0 1/4 J			01
LD001	VJ979600	LED (chip) Red	CL-150SD-CD	VOICE DISPLAY		03
LD002	VJ979600	LED (chip) Red	CL-150SD-CD	FOOT SWITCH		03
LD003	VJ979600	LED (chip) Red	CL-150SD-CD	VOICE EDIT		03
LD004	VJ979600	LED (chip) Red	CL-150SD-CD	U.ORGAN FLUTES		03
LD005	VJ979600	LED (chip) Red	CL-150SD-CD	A.B.C. M.O.C.		03
LD006	VJ979600	LED (chip) Red	CL-150SD-CD	UTILITY		03
LD007	VJ979600	LED (chip) Red	CL-150SD-CD	RHYTHM PROGRAM PATTERN		03
LD008	VJ979600	LED (chip) Red	CL-150SD-CD	L.ORGAN FLUTES		03
LD009	VJ979600	LED (chip) Red	CL-150SD-CD	RHYTHM PROGRAM SEQUENCE		03
LD010	VJ979600	LED (chip) Red	CL-150SD-CD	MDR		03
LD011	VJ979600	LED (chip) Red	CL-150SD-CD	INTERNET		03
LD012	VJ979600	LED (chip) Red	CL-150SD-CD	ROTARY SP SPEED		03
* RS01	WB528800	Rubber Switch Blue	x15keys	DISPLAY SELECT		
*	WC298700	Circuit Board	PN1	(WB42270)(X4391D0)		
--	--	Jumper Wire	0.55	(VA07890)		
C001	US064100	Ceramic Capacitor-B (chip)	0.0100 50V K			01
C002	US065100	Ceramic Capacitor-F (chip)	0.100 50V Z			
C003	US065100	Ceramic Capacitor-F (chip)	0.100 50V Z			
C004	US064100	Ceramic Capacitor-B (chip)	0.0100 50V K			01
C005	US065100	Ceramic Capacitor-F (chip)	0.100 50V Z			
-008	US065100	Ceramic Capacitor-F (chip)	0.100 50V Z			
C009	US064100	Ceramic Capacitor-B (chip)	0.0100 50V K			01
C010	US064100	Ceramic Capacitor-B (chip)	0.0100 50V K			01
CN002	VB390300	Connector Base Post	PH 7P TE			01
CN003	VB390200	Connector Base Post	PH 6P TE			01
CN004	VB390500	Connector Base Post	PH 9P TE			03
CN005	VB390600	Connector Base Post	PH 10P TE			01

*: New Parts

RANK: Japan only

REF NO.	PART NO.	DESCRIPTION		REMARKS	QTY	RANK
CN006	VB390700	Connector Base Post	PH 11P TE			01
DA014	VZ182300	Diode Array	DAP202K T146			01
-029	VZ182300	Diode Array	DAP202K T146			01
* HIC04	X5003A00	Hybrid IC	PMDEB	(X4389D0)		
J001	RD150000	Carbon Resistor (chip)	0.0 1/4 J			01
-031	RD150000	Carbon Resistor (chip)	0.0 1/4 J			01
LD020	VJ979600	LED (chip) Red	CL-150SD-CD	KEYBOARD PERCUSSION 1		03
LD025	VJ979600	LED (chip) Red	CL-150SD-CD	KEYBOARD PERCUSSION 2		03
LD026	VJ979600	LED (chip) Red	CL-150SD-CD	REGISTRATION MENU 1		03
LD027	VJ979600	LED (chip) Red	CL-150SD-CD	REGISTRATION MENU 2		03
LD028	VJ979600	LED (chip) Red	CL-150SD-CD	REGISTRATION MENU 3		03
LD029	VJ979600	LED (chip) Red	CL-150SD-CD	REGISTRATION MENU 4		03
LD030	VJ979600	LED (chip) Red	CL-150SD-CD	REGISTRATION MENU 5		03
LD031	VJ979600	LED (chip) Red	CL-150SD-CD	RHYTHM SEQ.1		03
LD032	VJ979600	LED (chip) Red	CL-150SD-CD	RHYTHM SEQ.2		03
LD033	VJ979600	LED (chip) Red	CL-150SD-CD	RHYTHM MARCH		03
LD034	VJ979600	LED (chip) Red	CL-150SD-CD	RHYTHM WALTZ		03
LD035	VJ979600	LED (chip) Red	CL-150SD-CD	RHYTHM SEQ.3		03
LD036	VJ979600	LED (chip) Red	CL-150SD-CD	RHYTHM SEQ.4		03
LD037	VJ979600	LED (chip) Red	CL-150SD-CD	RHYTHM LATIN		03
LD038	VJ979600	LED (chip) Red	CL-150SD-CD	RHYTHM WORLD MUSIC		03
LD039	VJ979600	LED (chip) Red	CL-150SD-CD	RHYTHM SWING&JAZZ		03
LD040	VJ979600	LED (chip) Red	CL-150SD-CD	RHYTHM POPS		03
LD041	VJ979600	LED (chip) Red	CL-150SD-CD	RHYTHM R&B		03
LD042	VJ979600	LED (chip) Red	CL-150SD-CD	RHYTHM 1		03
LD043	VJ979600	LED (chip) Red	CL-150SD-CD	RHYTHM BALLAD		03
LD044	VJ979600	LED (chip) Red	CL-150SD-CD	RHYTHM ROCK		03
LD045	VJ979600	LED (chip) Red	CL-150SD-CD	RHYTHM DANCE		03
LD046	VJ979600	LED (chip) Red	CL-150SD-CD	RHYTHM 2		03
LD054	VN925500	LED (chip) Red	CL-170SD-CD-T	RHYTHM VOLUME		01
LD055	VN925500	LED (chip) Red	CL-170SD-CD-T	RHYTHM VOLUME		01
LD056	VN925500	LED (chip) Red	CL-170SD-CD-T	RHYTHM VOLUME		01
LD057	VN925500	LED (chip) Red	CL-170SD-CD-T	RHYTHM VOLUME		01
LD058	VN925500	LED (chip) Red	CL-170SD-CD-T	RHYTHM VOLUME		01
LD059	VN925500	LED (chip) Red	CL-170SD-CD-T	RHYTHM VOLUME		01
LD060	VN925500	LED (chip) Red	CL-170SD-CD-T	RHYTHM VOLUME		01
RS001	VK804700	Rubber Switch Dark Gray	A-1 x1key	REGISTRATION MENU 5		05
RS002	VK804900	Rubber Switch Dark Gray	B x7keys VR	RHYTHM VOLUME(MAX-MIN)		05
RS003	VK806800	Rubber Switch Dark Gray	A-2 x2keys	KEYBOARD PERCUSSION 1,2		05
-005	VK806800	Rubber Switch Dark Gray	A-2 x2keys	REGISTRATION MENU 1-4		05
RS006	VK807200	Rubber Switch Dark Gray	A-6 x16keys	RHYTHM		07
* --	WC298800	Circuit Board Jumper Wire	PN2 0.55	(WB42270)(X4391D0) (VA07890)		
C001	US064100	Ceramic Capacitor-B (chip)	0.0100 50V K			01
-003	US064100	Ceramic Capacitor-B (chip)	0.0100 50V K			01
C004	US065100	Ceramic Capacitor-F (chip)	0.100 50V Z			
-010	US065100	Ceramic Capacitor-F (chip)	0.100 50V Z			
CN002	VB390300	Connector Base Post	PH 7P TE			01
CN003	LB918060	Base Post Connector	XH 6P TE			01
CN005	VB390000	Connector Base Post	PH 4P TE			01
CN006	VE352600	Connector Base Post	PH 14P TE			01
CN007	VB390100	Connector Base Post	PH 5P TE			01
CN008	VB390200	Connector Base Post	PH 6P TE			01
DA001	VZ182300	Diode Array	DAP202K T146			01
-007	VZ182300	Diode Array	DAP202K T146			01
* HIC05	X5002A00	Hybrid IC	PMDEA	(X4540C0)		
J001	RD150000	Carbon Resistor (chip)	0.0 1/4 J			01
-035	RD150000	Carbon Resistor (chip)	0.0 1/4 J			01
LD001	VJ979600	LED (chip) Red	CL-150SD-CD	INTRO 1		03
LD002	VJ979600	LED (chip) Red	CL-150SD-CD	ENDING 1		03
LD003	VJ979600	LED (chip) Red	CL-150SD-CD	INTRO 2		03
LD004	VJ979600	LED (chip) Red	CL-150SD-CD	ENDING 2		03
LD005	VJ979600	LED (chip) Red	CL-150SD-CD	INTRO 3		03
LD006	VJ979600	LED (chip) Red	CL-150SD-CD	ENDING 3		03
LD007	VJ979600	LED (chip) Red	CL-150SD-CD	MAIN/FILL IN A		03
LD008	VJ979600	LED (chip) Red	CL-150SD-CD	BREAK		03
LD009	VJ979600	LED (chip) Red	CL-150SD-CD	MAIN/FILL IN B		03
LD010	VJ979600	LED (chip) Red	CL-150SD-CD	MAIN/FILL IN C		03
LD011	VJ979600	LED (chip) Red	CL-150SD-CD	SYNCHRO START		03

*: New Parts

RANK: Japan only

REF NO.	PART NO.	DESCRIPTION		REMARKS	QTY	RANK
LD012	VJ979600	LED (chip) Red	CL-150SD-CD	MAIN/FILL IN D START SYNCHRO START,START, INTRO,ENDING,MAIN/FILL IN INTRO 3,ENDING 3,BREAK		03
LD013	VJ979600	LED (chip) Red	CL-150SD-CD			03
RS101	VK806800	Rubber Switch Dark Gray	A-2 x2keys			05
-105	VK806800	Rubber Switch Dark Gray	A-2 x2keys			05
RS106	VK804700	Rubber Switch Dark Gray	A-1 x1key			05
-108	VK804700	Rubber Switch Dark Gray	A-1 x1key	05		
*	X5002A00	Hybrid IC	PMDEA (on PN2)	(X4540C0)		
	VT671000	Read Frame	PK1.8-0.7-7.5			
C01	UF037100	Electrolytic Cap. (chip)	10 16V			01
-03	UF037100	Electrolytic Cap. (chip)	10 16V			01
C04	UF128220	Electrolytic Cap. (chip)	220 10V UUR1A2			01
-07	UF128220	Electrolytic Cap. (chip)	220 10V UUR1A2			01
C11	US062470	Ceramic Capacitor-SL(chip)	470P 50V J			01
-18	US062470	Ceramic Capacitor-SL(chip)	470P 50V J			01
C19	US064100	Ceramic Capacitor-B (chip)	0.0100 50V K			01
-24	US064100	Ceramic Capacitor-B (chip)	0.0100 50V K			01
C48	US064100	Ceramic Capacitor-B (chip)	0.0100 50V K			01
C49	US061330	Ceramic Capacitor-CH(chip)	33P 50V J			01
C50	US061330	Ceramic Capacitor-CH(chip)	33P 50V J			01
C51	US064100	Ceramic Capacitor-B (chip)	0.0100 50V K			01
C52	US064100	Ceramic Capacitor-B (chip)	0.0100 50V K			01
D01	VT332900	Diode	1SS355 TE-17			01
-03	VT332900	Diode	1SS355 TE-17			01
D06	VT332900	Diode	1SS355 TE-17			01
-11	VT332900	Diode	1SS355 TE-17			01
IC1	XZ916200	IC	UPD780031AYGK-N05	LED DRIVER/SWITCH SCAN		
L01	VT872900	Chip Inductance	0.22U LEM2520TR22K			01
L02	VR579900	Chip Inductance	BK2125HS601-T			01
-04	VR579900	Chip Inductance	BK2125HS601-T			01
L05	VT872900	Chip Inductance	0.22U LEM2520TR22K			01
R01	RD350000	Carbon Resistor (chip)	0 63M J			01
R02	RD357100	Carbon Resistor (chip)	10.0K 63M J			01
-22	RD357100	Carbon Resistor (chip)	10.0K 63M J			01
R23	RD254470	Carbon Resistor (chip)	47.0 0.1 J			01
-30	RD254470	Carbon Resistor (chip)	47.0 0.1 J			01
R31	RD356100	Carbon Resistor (chip)	1.0K 63M J			01
R32	RD354470	Carbon Resistor (chip)	47.0 63M J			01
R33	RD354470	Carbon Resistor (chip)	47.0 63M J			01
R34	RD357100	Carbon Resistor (chip)	10.0K 63M J			01
-36	RD357100	Carbon Resistor (chip)	10.0K 63M J			01
R37	RD354470	Carbon Resistor (chip)	47.0 63M J			01
R38	RD354470	Carbon Resistor (chip)	47.0 63M J			01
TA1	V8566600	Transistor Array	TD62785F(EL)			05
TA2	V8566600	Transistor Array	TD62785F(EL)			05
TR1	WA013100	Digital Transistor	DTDG23YP T100			01
-8	WA013100	Digital Transistor	DTDG23YP T100			01
X01	V6150500	Ceramic Resonator	8.38MHz EFOS8384E5			01
*	X5003A00	Hybrid IC	PMDEB (on PN1)	(X4389D0)		
	VT671000	Read Frame	PK1.8-0.7-7.5			
C01	US064100	Ceramic Capacitor-B (chip)	0.0100 50V K			01
-03	US064100	Ceramic Capacitor-B (chip)	0.0100 50V K			01
C04	UF118220	Electrolytic Cap. (chip)	220 6.3V UUR0J2			01
C05	UF118220	Electrolytic Cap. (chip)	220 6.3V UUR0J2			01
C06	US064100	Ceramic Capacitor-B (chip)	0.0100 50V K			01
-08	US064100	Ceramic Capacitor-B (chip)	0.0100 50V K			01
C09	US062470	Ceramic Capacitor-SL(chip)	470P 50V J			01
-15	US062470	Ceramic Capacitor-SL(chip)	470P 50V J			01
C16	US064100	Ceramic Capacitor-B (chip)	0.0100 50V K			01
-18	US064100	Ceramic Capacitor-B (chip)	0.0100 50V K			01
C19	UF118220	Electrolytic Cap. (chip)	220 6.3V UUR0J2			01
C20	US062470	Ceramic Capacitor-SL(chip)	470P 50V J			01
-28	US062470	Ceramic Capacitor-SL(chip)	470P 50V J			01
C29	US064100	Ceramic Capacitor-B (chip)	0.0100 50V K			01
C30	UF037100	Electrolytic Cap. (chip)	10 16V			01
C31	UF037100	Electrolytic Cap. (chip)	10 16V			01
C32	US064100	Ceramic Capacitor-B (chip)	0.0100 50V K			01
C33	US064100	Ceramic Capacitor-B (chip)	0.0100 50V K			01
C34	UF138470	Electrolytic Cap. (chip)	470 16V UUR1C4			02

*: New Parts

RANK: Japan only

REF NO.	PART NO.	DESCRIPTION		REMARKS	QTY	RANK
C35	US064100	Ceramic Capacitor-B (chip)	0.0100 50V K			01
C36	UF037100	Electrolytic Cap. (chip)	10 16V			01
C37	US064100	Ceramic Capacitor-B (chip)	0.0100 50V K			01
C38	US064100	Ceramic Capacitor-B (chip)	0.0100 50V K			01
C39	UF138470	Electrolytic Cap. (chip)	470 16V UUR1C4			02
C41	US064100	Ceramic Capacitor-B (chip)	0.0100 50V K			01
C43	US064100	Ceramic Capacitor-B (chip)	0.0100 50V K			01
C44	UF118220	Electrolytic Cap. (chip)	220 6.3V UUR0J2			01
C46	UF118220	Electrolytic Cap. (chip)	220 6.3V UUR0J2			01
C47	US064100	Ceramic Capacitor-B (chip)	0.0100 50V K			01
C48	US064100	Ceramic Capacitor-B (chip)	0.0100 50V K			01
C49	UF138470	Electrolytic Cap. (chip)	470 16V UUR1C4			02
C50	US061330	Ceramic Capacitor-CH(chip)	33P 50V J			01
C52	US061330	Ceramic Capacitor-CH(chip)	33P 50V J			01
C54	US064100	Ceramic Capacitor-B (chip)	0.0100 50V K			01
C55	US064100	Ceramic Capacitor-B (chip)	0.0100 50V K			01
C56	UF118220	Electrolytic Cap. (chip)	220 6.3V UUR0J2			01
C57	UF138470	Electrolytic Cap. (chip)	470 16V UUR1C4			02
C67	UF138470	Electrolytic Cap. (chip)	470 16V UUR1C4			02
C68	US065100	Ceramic Capacitor-F (chip)	0.100 50V Z			01
D03	VT332900	Diode	1SS355 TE-17			01
-09	VT332900	Diode	1SS355 TE-17			01
IC1	X2987A00	IC	M4A3-64/64-10VC	CPLD		08
IC2	XZ916200	IC	UPD780031AYGK-N05	LED DRIVER/SWITCH SCAN		
L01	VT872900	Chip Inductance	0.22U LEM2520TR22K			01
-06	VT872900	Chip Inductance	0.22U LEM2520TR22K			01
R01	RD356100	Carbon Resistor (chip)	1.0K 63M J			01
R03	RD357100	Carbon Resistor (chip)	10.0K 63M J			01
R05	RD357100	Carbon Resistor (chip)	10.0K 63M J			01
-22	RD357100	Carbon Resistor (chip)	10.0K 63M J			01
R31	RD357100	Carbon Resistor (chip)	10.0K 63M J			01
R32	RD356100	Carbon Resistor (chip)	1.0K 63M J			01
R42	RD354470	Carbon Resistor (chip)	47.0 63M J			01
R43	RD354470	Carbon Resistor (chip)	47.0 63M J			01
R44	RD254470	Carbon Resistor (chip)	47.0 0.1 J			01
-51	RD254470	Carbon Resistor (chip)	47.0 0.1 J			01
R52	RD354470	Carbon Resistor (chip)	47.0 63M J			01
R53	RD354470	Carbon Resistor (chip)	47.0 63M J			01
* R54	WC938000	Carbon Resistor (chip)	3.3 1W J			01
TA1	V3117600	Transistor Array	M54564FP			04
-3	V3117600	Transistor Array	M54564FP			04
TA4	VQ202400	Transistor Array	TD62785F SOURCE			04
TA4	V8566600	Transistor Array	TD62785F(EL)			05
TR1	WA013100	Digital Transistor	DTDG23YP T100			01
-8	WA013100	Digital Transistor	DTDG23YP T100			01
X01	V6150500	Ceramic Resonator	8.38MHz EFOS8384E5			01
*	WC748000	Circuit Board	DAC1A	(WC74790)(X5174B0)		
C0101	US145100	Ceramic Capacitor-F (chip)	0.1000 25V Z			01
C0102	UF018100	Electrolytic Cap. (chip)	100 6.3V			01
C0103	US145100	Ceramic Capacitor-F (chip)	0.1000 25V Z			01
C0104	US064100	Ceramic Capacitor-B (chip)	0.0100 50V K			01
C0105	UF046470	Electrolytic Cap. (chip)	4.7 25V			01
C0106	US145100	Ceramic Capacitor-F (chip)	0.1000 25V Z			01
C0107	UF138220	Electrolytic Cap. (chip)	220 16V UUR1C2			01
C0108	UF138220	Electrolytic Cap. (chip)	220 16V UUR1C2			01
C0109	US062100	Ceramic Capacitor-SL(chip)	100P 50V J			01
C0110	US062100	Ceramic Capacitor-SL(chip)	100P 50V J			01
C0301	RD350000	Carbon Resistor (chip)	0 63M J			01
C0302	US145100	Ceramic Capacitor-F (chip)	0.1000 25V Z			01
C0303	UF037100	Electrolytic Cap. (chip)	10 16V			01
C0304	UF037100	Electrolytic Cap. (chip)	10 16V			01
C0305	US145100	Ceramic Capacitor-F (chip)	0.1000 25V Z			01
C0306	US145100	Ceramic Capacitor-F (chip)	0.1000 25V Z			01
C0307	UF037100	Electrolytic Cap. (chip)	10 16V			01
C0308	US145100	Ceramic Capacitor-F (chip)	0.1000 25V Z			01
C0309	UF037100	Electrolytic Cap. (chip)	10 16V			01
C0310	UF227100	Electrolytic Cap.-BP(chip)	10 10V UWP1A1			01
-0313	UF227100	Electrolytic Cap.-BP(chip)	10 10V UWP1A1			01
C0314	US063100	Ceramic Capacitor-B (chip)	1000P 50V K			01

*: New Parts

RANK: Japan only

REF NO.	PART NO.	DESCRIPTION	REMARKS	QTY	RANK
C0315	US063100	Ceramic Capacitor-B (chip)	1000P 50V K		01
C0316	US062180	Ceramic Capacitor-SL(chip)	180P 50V J		01
-0319	US062180	Ceramic Capacitor-SL(chip)	180P 50V J		01
C0324	US145100	Ceramic Capacitor-F (chip)	0.1000 25V Z		01
C0325	US145100	Ceramic Capacitor-F (chip)	0.1000 25V Z		01
C0401	UF066220	Electrolytic Cap. (chip)	2.2 50V		01
C0402	US145100	Ceramic Capacitor-F (chip)	0.1000 25V Z		01
C0405	US145100	Ceramic Capacitor-F (chip)	0.1000 25V Z		01
C0406	UF037100	Electrolytic Cap. (chip)	10 16V		01
C0407	UF037100	Electrolytic Cap. (chip)	10 16V		01
C0408	US145100	Ceramic Capacitor-F (chip)	0.1000 25V Z		01
C0409	RD350000	Carbon Resistor (chip)	0 63M J		01
C0410	UF066100	Electrolytic Cap. (chip)	1 50V		01
C0411	UF066100	Electrolytic Cap. (chip)	1 50V		01
C0412	UF037100	Electrolytic Cap. (chip)	10 16V		01
C0413	US061560	Ceramic Capacitor-CH(chip)	56P 50V J		01
C0414	US061560	Ceramic Capacitor-CH(chip)	56P 50V J		01
C0415	US062330	Ceramic Capacitor-SL(chip)	330P 50V J		01
C0416	US062330	Ceramic Capacitor-SL(chip)	330P 50V J		01
C0417	US062220	Ceramic Capacitor-SL(chip)	220P 50V J		01
C0418	US062220	Ceramic Capacitor-SL(chip)	220P 50V J		01
C0419	US061470	Ceramic Capacitor-CH(chip)	47P 50V J		01
C0420	US061470	Ceramic Capacitor-CH(chip)	47P 50V J		01
C0421	UF046470	Electrolytic Cap. (chip)	4.7 25V		01
C0422	UF046470	Electrolytic Cap. (chip)	4.7 25V		01
C0423	US062100	Ceramic Capacitor-SL(chip)	100P 50V J		01
C0424	US062100	Ceramic Capacitor-SL(chip)	100P 50V J		01
C0425	US063100	Ceramic Capacitor-B (chip)	1000P 50V K		01
C0426	US063100	Ceramic Capacitor-B (chip)	1000P 50V K		01
C0427	UF066100	Electrolytic Cap. (chip)	1 50V		01
C0428	UF066100	Electrolytic Cap. (chip)	1 50V		01
C0429	US145100	Ceramic Capacitor-F (chip)	0.1000 25V Z		01
C0430	UF037100	Electrolytic Cap. (chip)	10 16V		01
C0431	US135100	Ceramic Capacitor-F (chip)	0.1000 16V Z		01
-0433	US135100	Ceramic Capacitor-F (chip)	0.1000 16V Z		01
C0434	UF037100	Electrolytic Cap. (chip)	10 16V		01
C0601	US145100	Ceramic Capacitor-F (chip)	0.1000 25V Z		01
C0602	US145100	Ceramic Capacitor-F (chip)	0.1000 25V Z		01
C0701	US064100	Ceramic Capacitor-B (chip)	0.0100 50V K		01
C0702	US145100	Ceramic Capacitor-F (chip)	0.1000 25V Z		01
C0703	US145100	Ceramic Capacitor-F (chip)	0.1000 25V Z		01
CN101	V6478900	Connector, FFC/FPC	52808 26P TE		01
*CN601	VT389200	Base Post Connector	PH 11P TE		01
CN701	VT388600	Base Post Connector	PH 5P TE		01
D0101	VN681100	Diode	EC10DS4-TE12L		01
D0101	VS201100	Diode	D1F60		01
D0102	VN681100	Diode	EC10DS4-TE12L		01
D0102	VS201100	Diode	D1F60		01
D0401	VB493900	Diode	MA221		01
-0404	VB493900	Diode	MA221		01
D0401	VV925900	Diode	RLS-73 TE-11		01
-0404	VV925900	Diode	RLS-73 TE-11		01
IC101	XV492A00	IC	UPC2905T-E1	REGULATOR +5V	03
IC102	XZ642A00	IC	TAR5S33	REGULATOR +3.3V	
IC301	XW029A00	IC	AK4393VF-E2	DAC	07
IC302	XF291A00	IC	UPC4570G2	OP AMP	03
*IC401	X5219A00	IC	AK5381VT-E2	ADC	
IC402	XF291A00	IC	UPC4570G2	OP AMP	03
-404	XF291A00	IC	UPC4570G2	OP AMP	03
J0101	RD350000	Carbon Resistor (chip)	0 63M J		01
J0104	RD350000	Carbon Resistor (chip)	0 63M J		01
L0601	RD350000	Carbon Resistor (chip)	0 63M J		01
L0602	RD350000	Carbon Resistor (chip)	0 63M J		01
*L0603	V4830100	Chip Inductance	MMZ1608Y601C		
*-0606	V4830100	Chip Inductance	MMZ1608Y601C		
*L0701	V4830100	Chip Inductance	MMZ1608Y601C		
R0102	RD350000	Carbon Resistor (chip)	0 63M J		01
R0103	RD356100	Carbon Resistor (chip)	1.0K 63M J		01
R0104	RD356100	Carbon Resistor (chip)	1.0K 63M J		01
R0106	RD357100	Carbon Resistor (chip)	10.0K 63M J		01

*: New Parts

RANK: Japan only

REF NO.	PART NO.	DESCRIPTION	REMARKS	QTY	RANK
-0108	RD357100	Carbon Resistor (chip)	10.0K 63M J		01
R0109	RD356100	Carbon Resistor (chip)	1.0K 63M J		01
R0110	RD356100	Carbon Resistor (chip)	1.0K 63M J		01
* R0111	WD075500	Carbon Resistor (chip)	6.8 1/8W J		
* R0113	WD075500	Carbon Resistor (chip)	6.8 1/8W J		
R0115	RD350000	Carbon Resistor (chip)	0 63M J		01
R0120	RD350000	Carbon Resistor (chip)	0 63M J		01
R0121	RD350000	Carbon Resistor (chip)	0 63M J		01
R0301	RD356330	Carbon Resistor (chip)	3.3K 63M J		01
-0304	RD356330	Carbon Resistor (chip)	3.3K 63M J		01
R0305	RD357120	Carbon Resistor (chip)	12.0K 63M J		01
-0307	RD357120	Carbon Resistor (chip)	12.0K 63M J		01
R0308	RD356470	Carbon Resistor (chip)	4.7K 63M J		01
R0309	RD356470	Carbon Resistor (chip)	4.7K 63M J		01
R0310	RD357120	Carbon Resistor (chip)	12.0K 63M J		01
R0311	RD356470	Carbon Resistor (chip)	4.7K 63M J		01
R0312	RD356470	Carbon Resistor (chip)	4.7K 63M J		01
R0315	RD354470	Carbon Resistor (chip)	47.0 63M J		01
R0316	RD354470	Carbon Resistor (chip)	47.0 63M J		01
R0317	RD350000	Carbon Resistor (chip)	0 63M J		01
R0320	RD350000	Carbon Resistor (chip)	0 63M J		01
R0401	RD354680	Carbon Resistor (chip)	68.0 63M J		01
R0402	RD355220	Carbon Resistor (chip)	220.0 63M J		01
R0403	RD355220	Carbon Resistor (chip)	220.0 63M J		01
R0404	RD357100	Carbon Resistor (chip)	10.0K 63M J		01
-0409	RD357100	Carbon Resistor (chip)	10.0K 63M J		01
R0410	RD358100	Carbon Resistor (chip)	100.0K 63M J		01
-0413	RD358100	Carbon Resistor (chip)	100.0K 63M J		01
R0414	RD356100	Carbon Resistor (chip)	1.0K 63M J		01
R0415	RD356100	Carbon Resistor (chip)	1.0K 63M J		01
R0416	RD358100	Carbon Resistor (chip)	100.0K 63M J		01
R0417	RD358100	Carbon Resistor (chip)	100.0K 63M J		01
R0418	RD355100	Carbon Resistor (chip)	100.0 63M J		01
R0419	RD356470	Carbon Resistor (chip)	4.7K 63M J		01
-0422	RD356470	Carbon Resistor (chip)	4.7K 63M J		01
R0424	RD355100	Carbon Resistor (chip)	100.0 63M J		01
R0425	RD350000	Carbon Resistor (chip)	0 63M J		01
R0426	RD350000	Carbon Resistor (chip)	0 63M J		01
R0601	RD356100	Carbon Resistor (chip)	1.0K 63M J		01
R0701	RD356470	Carbon Resistor (chip)	4.7K 63M J		01
R0702	RD355100	Carbon Resistor (chip)	100.0 63M J		01
TR101	VJ927100	Transistor	2SC2712 Y		01
TR101	VV556400	Transistor	2SC2412K Q,R,S		01
TR101	VV925400	Transistor	2SC2712 GR		01
TR101	V4767500	Transistor	2SD601A-(TX) Q,R,S		01
* C0101	WB856700	Circuit Board	DJACK	(WB55610)(X4470D0)	
C0102	UR818100	Electrolytic Cap.	100.00 6.3V		01
-0106	US061220	Ceramic Capacitor-CH(chip)	22P 50V J		01
C0107	UR818100	Electrolytic Cap.	100.00 6.3V		01
C0108	US061220	Ceramic Capacitor-CH(chip)	22P 50V J		01
C0109	US061220	Ceramic Capacitor-CH(chip)	22P 50V J		01
C0201	US064100	Ceramic Capacitor-B (chip)	0.0100 50V K		01
C0203	US064100	Ceramic Capacitor-B (chip)	0.0100 50V K		01
C0204	UR827220	Electrolytic Cap.	22.00 10.0V		01
C0301	US064100	Ceramic Capacitor-B (chip)	0.0100 50V K		01
C0302	US145100	Ceramic Capacitor-F (chip)	0.1000 25V Z		01
C0303	UR827220	Electrolytic Cap.	22.00 10.0V		01
CN101	VB390200	Connector Base Post	PH 6P TE		01
CN102	VB390100	Connector Base Post	PH 5P TE		01
CN103	VB390200	Connector Base Post	PH 6P TE		01
CN201	VB390500	Connector Base Post	PH 9P TE		03
CN301	VB389900	Connector Base Post	PH 3P TE		01
D0201	VB493900	Diode	MA221		01
D0201	VV925900	Diode	RLS-73 TE-11		01
* IC101	X5108A00	IC	SN75240P	USB TRANSIENT SUPPRESSOR	
IC201	VD473200	Photo Coupler	6N137		05
IC301	XT777A00	IC	TC74VHCT04AF		01
IC301	X3681A00	IC	SN74AHCT04NSR	INVERTER	

*: New Parts

RANK: Japan only

REF NO.	PART NO.	DESCRIPTION		REMARKS	QTY	RANK
J0103	RD350000	Carbon Resistor (chip)	0 63M J			01
J0106	RD350000	Carbon Resistor (chip)	0 63M J			01
-0108	RD350000	Carbon Resistor (chip)	0 63M J			01
J0901	RD350000	Carbon Resistor (chip)	0 63M J			01
-0907	RD350000	Carbon Resistor (chip)	0 63M J			01
* JK101	WC756100	USB Connector	8P YKF45-0025	USB TO DEVICE		
JK102	V6802600	USB Jack	USB 4P SE	} USB TO HOST		02
JK102	V9016000	USB Connector	YKF45-0021 4P SE			02
JK201	VT202500	DIN Connector	5P YKF51-50	MIDI IN		01
JK202	VT202500	DIN Connector	5P YKF51-50	MIDI OUT		01
* JK301	WB920900	Fiber Terminal	1P GP1FA513TZ	OPTICAL OUT		
L0101	GE300670	Ferrite Bead	BL02RN2-R62T4			02
L0105	--	Jumper Wire	0.55	(VA07890)		
L0106	GE300670	Ferrite Bead	BL02RN2-R62T4			02
L0110	--	Jumper Wire	0.55	(VA07890)		
L0111	GE300670	Ferrite Bead	BL02RN2-R62T4			02
L0112	--	Jumper Wire	0.55	(VA07890)		
L0201	VQ724900	Chip Inductance	BK2125HM601-T			01
-0204	VQ724900	Chip Inductance	BK2125HM601-T			01
L0207	--	Jumper Wire	0.55	(VA07890)		
R0201	RD356100	Carbon Resistor (chip)	1.0K 63M J			01
R0202	RD355220	Carbon Resistor (chip)	220.0 63M J			01
R0203	RD357220	Carbon Resistor (chip)	22.0K 63M J			01
R0204	RD357220	Carbon Resistor (chip)	22.0K 63M J			01
R0205	RD357100	Carbon Resistor (chip)	10.0K 63M J			01
R0206	RD356150	Carbon Resistor (chip)	1.5K 63M J			01
R0207	RD355220	Carbon Resistor (chip)	220.0 63M J			01
R0208	RD355220	Carbon Resistor (chip)	220.0 63M J			01
R0302	RD354470	Carbon Resistor (chip)	47.0 63M J			01
TR201	VJ927100	Transistor	2SC2712 Y			01
TR201	VV556400	Transistor	2SC2412K Q,R,S			01
TR201	VV925400	Transistor	2SC2712 GR			01
TR201	V4767500	Transistor	2SD601A-(TX) Q,R,S			01
TR203	VJ927100	Transistor	2SC2712 Y			01
TR203	VV556400	Transistor	2SC2412K Q,R,S			01
TR203	VV925400	Transistor	2SC2712 GR			01
TR203	V4767500	Transistor	2SD601A-(TX) Q,R,S			01
* C0001	WB761700	Circuit Board	DM2-EL	(X4383C0)		
C0001	UF038100	Electrolytic Cap. (chip)	100 16V			01
C0002	US145100	Ceramic Capacitor-F (chip)	0.1000 25V Z			01
-0005	US145100	Ceramic Capacitor-F (chip)	0.1000 25V Z			01
C0007	US145100	Ceramic Capacitor-F (chip)	0.1000 25V Z			01
C0008	US064100	Ceramic Capacitor-B (chip)	0.0100 50V K			01
C0010	US145100	Ceramic Capacitor-F (chip)	0.1000 25V Z			01
C0011	V9452200	Electrolytic Cap. (chip)	150.00 4.0V			03
C0013	US062470	Ceramic Capacitor-SL(chip)	470P 50V J			01
C0014	US064100	Ceramic Capacitor-B (chip)	0.0100 50V K			01
C0015	US145100	Ceramic Capacitor-F (chip)	0.1000 25V Z			01
C0016	US064100	Ceramic Capacitor-B (chip)	0.0100 50V K			01
-0021	US064100	Ceramic Capacitor-B (chip)	0.0100 50V K			01
C0022	US145100	Ceramic Capacitor-F (chip)	0.1000 25V Z			01
C0023	UF037100	Electrolytic Cap. (chip)	10 16V			01
C0024	US145100	Ceramic Capacitor-F (chip)	0.1000 25V Z			01
C0025	US145100	Ceramic Capacitor-F (chip)	0.1000 25V Z			01
C0026	UF038100	Electrolytic Cap. (chip)	100 16V			01
C0027	US145100	Ceramic Capacitor-F (chip)	0.1000 25V Z			01
C0028	US064100	Ceramic Capacitor-B (chip)	0.0100 50V K			01
-0033	US064100	Ceramic Capacitor-B (chip)	0.0100 50V K			01
C0034	UF038100	Electrolytic Cap. (chip)	100 16V			01
C0035	US064100	Ceramic Capacitor-B (chip)	0.0100 50V K			01
-0040	US064100	Ceramic Capacitor-B (chip)	0.0100 50V K			01
C0043	US145100	Ceramic Capacitor-F (chip)	0.1000 25V Z			01
C0044	US064100	Ceramic Capacitor-B (chip)	0.0100 50V K			01
-0049	US064100	Ceramic Capacitor-B (chip)	0.0100 50V K			01
C0052	US064100	Ceramic Capacitor-B (chip)	0.0100 50V K			01
C0053	US064100	Ceramic Capacitor-B (chip)	0.0100 50V K			01
C0054	US145100	Ceramic Capacitor-F (chip)	0.1000 25V Z			01
C0055	US064100	Ceramic Capacitor-B (chip)	0.0100 50V K			01
C0056	US064100	Ceramic Capacitor-B (chip)	0.0100 50V K			01

*: New Parts

RANK: Japan only

REF NO.	PART NO.	DESCRIPTION	REMARKS	QTY	RANK
C0057	US145100	Ceramic Capacitor-F (chip)	0.1000 25V Z		01
C0058	UF038100	Electrolytic Cap. (chip)	100 16V		01
C0059	US062470	Ceramic Capacitor-SL(chip)	470P 50V J		01
C0060	US062470	Ceramic Capacitor-SL(chip)	470P 50V J		01
C0061	US064100	Ceramic Capacitor-B (chip)	0.0100 50V K		01
-0065	US064100	Ceramic Capacitor-B (chip)	0.0100 50V K		01
C0066	US060500	Ceramic Capacitor-CH(chip)	5P 50V C		01
C0067	US064100	Ceramic Capacitor-B (chip)	0.0100 50V K		01
C0068	US064100	Ceramic Capacitor-B (chip)	0.0100 50V K		01
C0069	US060500	Ceramic Capacitor-CH(chip)	5P 50V C		01
C0070	V9452200	Electrolytic Cap. (chip)	150.00 4.0V		03
C0071	US064100	Ceramic Capacitor-B (chip)	0.0100 50V K		01
-0073	US064100	Ceramic Capacitor-B (chip)	0.0100 50V K		01
C0075	UF037100	Electrolytic Cap. (chip)	10 16V		01
C0077	US064100	Ceramic Capacitor-B (chip)	0.0100 50V K		01
C0078	US064100	Ceramic Capacitor-B (chip)	0.0100 50V K		01
C0079	US145100	Ceramic Capacitor-F (chip)	0.1000 25V Z		01
C0080	UF038100	Electrolytic Cap. (chip)	100 16V		01
C0081	UF037100	Electrolytic Cap. (chip)	10 16V		01
C0082	US064100	Ceramic Capacitor-B (chip)	0.0100 50V K		01
C0083	US062470	Ceramic Capacitor-SL(chip)	470P 50V J		01
C0084	US064100	Ceramic Capacitor-B (chip)	0.0100 50V K		01
-0086	US064100	Ceramic Capacitor-B (chip)	0.0100 50V K		01
C0087	UF037100	Electrolytic Cap. (chip)	10 16V		01
C0088	US064100	Ceramic Capacitor-B (chip)	0.0100 50V K		01
-0090	US064100	Ceramic Capacitor-B (chip)	0.0100 50V K		01
C0091	UF037100	Electrolytic Cap. (chip)	10 16V		01
C0096	US064100	Ceramic Capacitor-B (chip)	0.0100 50V K		01
-0099	US064100	Ceramic Capacitor-B (chip)	0.0100 50V K		01
C0102	US064100	Ceramic Capacitor-B (chip)	0.0100 50V K		01
-0106	US064100	Ceramic Capacitor-B (chip)	0.0100 50V K		01
C0124	US064100	Ceramic Capacitor-B (chip)	0.0100 50V K		01
-0128	US064100	Ceramic Capacitor-B (chip)	0.0100 50V K		01
C0129	UF037100	Electrolytic Cap. (chip)	10 16V		01
C0141	US064100	Ceramic Capacitor-B (chip)	0.0100 50V K		01
C0142	US064100	Ceramic Capacitor-B (chip)	0.0100 50V K		01
C0143	US145100	Ceramic Capacitor-F (chip)	0.1000 25V Z		01
C0144	US145100	Ceramic Capacitor-F (chip)	0.1000 25V Z		01
C0145	US062470	Ceramic Capacitor-SL(chip)	470P 50V J		01
C0146	UF128470	Electrolytic Cap. (chip)	470 10V UUR1A4		02
C0147	US064100	Ceramic Capacitor-B (chip)	0.0100 50V K		01
C0148	UF128470	Electrolytic Cap. (chip)	470 10V UUR1A4		02
C0149	US064100	Ceramic Capacitor-B (chip)	0.0100 50V K		01
C0150	US062470	Ceramic Capacitor-SL(chip)	470P 50V J		01
C0151	US064100	Ceramic Capacitor-B (chip)	0.0100 50V K		01
-0157	US064100	Ceramic Capacitor-B (chip)	0.0100 50V K		01
C0158	US062470	Ceramic Capacitor-SL(chip)	470P 50V J		01
C0159	US064100	Ceramic Capacitor-B (chip)	0.0100 50V K		01
C0160	US063100	Ceramic Capacitor-B (chip)	1000P 50V K		01
C0161	US063100	Ceramic Capacitor-B (chip)	1000P 50V K		01
C0162	US064100	Ceramic Capacitor-B (chip)	0.0100 50V K		01
C0171	US064100	Ceramic Capacitor-B (chip)	0.0100 50V K		01
C0174	US064100	Ceramic Capacitor-B (chip)	0.0100 50V K		01
C0175	UF037100	Electrolytic Cap. (chip)	10 16V		01
C0179	US064100	Ceramic Capacitor-B (chip)	0.0100 50V K		01
C0180	US064100	Ceramic Capacitor-B (chip)	0.0100 50V K		01
C0181	US145100	Ceramic Capacitor-F (chip)	0.1000 25V Z		01
C0182	US064100	Ceramic Capacitor-B (chip)	0.0100 50V K		01
-0184	US064100	Ceramic Capacitor-B (chip)	0.0100 50V K		01
C0185	UF037100	Electrolytic Cap. (chip)	10 16V		01
C0186	US064100	Ceramic Capacitor-B (chip)	0.0100 50V K		01
C0187	US061120	Ceramic Capacitor-CH(chip)	12P 50V J		01
C0188	US061120	Ceramic Capacitor-CH(chip)	12P 50V J		01
C0189	US064100	Ceramic Capacitor-B (chip)	0.0100 50V K		01
C0191	US064100	Ceramic Capacitor-B (chip)	0.0100 50V K		01
C0193	UF037100	Electrolytic Cap. (chip)	10 16V		01
C0194	US064100	Ceramic Capacitor-B (chip)	0.0100 50V K		01
C0195	US062470	Ceramic Capacitor-SL(chip)	470P 50V J		01
C0196	US064100	Ceramic Capacitor-B (chip)	0.0100 50V K		01
C0198	UF038100	Electrolytic Cap. (chip)	100 16V		01

*: New Parts

RANK: Japan only

REF NO.	PART NO.	DESCRIPTION		REMARKS	QTY	RANK
C0199	US062470	Ceramic Capacitor-SL(chip)	470P 50V J			01
C0201	UF037100	Electrolytic Cap. (chip)	10 16V			01
C0300	US061330	Ceramic Capacitor-CH(chip)	33P 50V J			01
C0301	US061330	Ceramic Capacitor-CH(chip)	33P 50V J			01
CN001	VT389000	Base Post Connector	PH 9P TE			01
CN002	VT388500	Base Post Connector	PH 4P TE			01
CN004	VT388400	Base Post Connector	PH 3P TE			01
CN005	VT388600	Base Post Connector	PH 5P TE			01
CN006	VT388700	Base Post Connector	PH 6P TE			01
* CN007	WA979800	Pin Header	DF19G-14P-1H(59)			
* CN008	WD032800	Connector Base Post	DF13C 7P TE			
CN013	VT388500	Base Post Connector	PH 4P TE			01
CN014	V9028300	Connector, FFC/FPC	52808 24P TE			02
CN016	VT388800	Base Post Connector	PH 7P TE			
CN017	VT388400	Base Post Connector	PH 3P TE			01
* CN019	V6089200	Connector Receptacle	8801 60P SE			
CN020	VT389300	Base Post Connector	PH 12P TE			02
D0002	VS201100	Diode	D1F60			01
DA001	V9424900	Diode Array	1SS372 TE85L			01
-004	V9424900	Diode Array	1SS372 TE85L			01
IC001	XY945A00	IC	TC74VHC32FT	OR		01
IC002	XV890A00	IC	TC74VHC14FT	INVERTER		02
IC003	X0609A00	IC	LMS8117AMP-ADJ	REGULATOR		03
IC004	X4160A00	IC	RN5VD29CA-TR	SYSTEM RESET		
IC005	XV890A00	IC	TC74VHC14FT	INVERTER		02
IC006	X2890B00	IC	HD6417272F160C	CPU		15
IC008	XR294A00	IC	NJM3414AM(T1)	OP AMP		02
IC009	XV890A00	IC	TC74VHC14FT	INVERTER		02
IC010	X3123A00	IC	HD74LV126ATELL	BUFFER		
IC011	X3119A00	IC	LM3525MX-H	USB POWER SWITCH		05
IC012	XV890A00	IC	TC74VHC14FT	INVERTER		02
* IC013	X4212A00	IC	SN75LVDS84ADGGR	LVDS TRANSMITTERS		
IC015	XM616A00	IC	TC7S08F	AND		01
IC016	XZ372A00	IC	TC74VHCT32AFT-EL	OR		01
* IC017	X4942A00	IC	MT48LC16M16A2TG-75	SDRAM 256M		
* IC018	X4942A00	IC	MT48LC16M16A2TG-75	SDRAM 256M		
IC020	XW148A00	IC	HD74LVC245ATELL	TRANSCEIVER		02
-023	XW148A00	IC	HD74LVC245ATELL	TRANSCEIVER		02
IC024	X0010A00	IC	HD74LV21ATELL	AND		01
IC027	XW148A00	IC	HD74LVC245ATELL	TRANSCEIVER		02
IC028	XW148A00	IC	HD74LVC245ATELL	TRANSCEIVER		02
* IC029	X4962A00	IC	HD74LVC138TELL	DECODER		
* IC030	X4962A00	IC	HD74LVC138TELL	DECODER		
* IC031	X4963A00	IC	HD74LVC139TELL	DECODER		
* IC032	X4961A00	IC	HD74LVC08TELL	AND		
* IC033	X4961A00	IC	HD74LVC08TELL	AND		
* IC035	X4958E00	IC	MBM29PL12	FLASH ROM PROGRAM2		
IC036	X2689A00	IC	HD74LV273ATELL	D-FF		01
IC037	XY945A00	IC	TC74VHC32FT	OR		01
* IC038	X4959100	IC	MR27V1280	P2ROM 128M DATA1		
IC040	XV890A00	IC	TC74VHC14FT	INVERTER		02
IC041	X2689A00	IC	HD74LV273ATELL	D-FF		01
IC042	XW148A00	IC	HD74LVC245ATELL	TRANSCEIVER		02
IC043	XW148A00	IC	HD74LVC245ATELL	TRANSCEIVER		02
IC044	XY945A00	IC	TC74VHC32FT	OR		01
* IC046	X4960100	IC	MR27V6402G	P2ROM 64M DATA2		
* IC047	X4957E00	IC	MBM29PL12	FLASH ROM PROGRAM1		
IC052	XZ610A00	IC	MBM29LV160BE-70TN	FLASH ROM 16M		12
IC054	XW744A00	IC	HD74LV245ATELL	TRANSCEIVER		02
* IC055	X5343100	IC	M38869M8A-184GP	CPU		
IC056	XW744A00	IC	HD74LV245ATELL	TRANSCEIVER		02
IC057	XW744A00	IC	HD74LV245ATELL	TRANSCEIVER		02
IC058	XY945A00	IC	TC74VHC32FT	OR		01
IC059	XN567A00	IC	TC7WU04F	INVERTER		01
IC060	XV833A00	IC	MBCG46183-129PFV-G	SIO4 (GATE ARRAY)		06
IC061	XV892A00	IC	TC74VHC74FT	D-FF		01
L0001	VR579900	Chip Inductance	BK2125HS601-T			01
L0002	VR579900	Chip Inductance	BK2125HS601-T			01
L0003	VY657200	Chip Inductance	600 BK1608HM601			01
L0032	VY657200	Chip Inductance	600 BK1608HM601			01

*: New Parts

RANK: Japan only

REF NO.	PART NO.	DESCRIPTION	REMARKS	QTY	RANK
L0033	RD350000	Carbon Resistor (chip)	0 63M J		01
L0034	RD350000	Carbon Resistor (chip)	0 63M J		01
L0035	VY657200	Chip Inductance	600 BK1608HM601		01
L0036	RD350000	Carbon Resistor (chip)	0 63M J		01
-0039	RD350000	Carbon Resistor (chip)	0 63M J		01
L0041	RD350000	Carbon Resistor (chip)	0 63M J		01
L0050	VR579900	Chip Inductance	BK2125HS601-T		01
L0051	VR579900	Chip Inductance	BK2125HS601-T		01
R0001	RD357470	Carbon Resistor (chip)	47.0K 63M J		01
R0004	RF355560	Carbon Resistor (chip)	560.0 D 1608		01
R0005	RD357100	Carbon Resistor (chip)	10.0K 63M J		01
R0006	RF354820	Carbon Resistor (chip)	82.0 D 1608		01
R0007	RD357100	Carbon Resistor (chip)	10.0K 63M J		01
R0008	RF355220	Carbon Resistor (chip)	220.0 D 1608		01
R0010	RD358100	Carbon Resistor (chip)	100.0K 63M J		01
R0011	RD358100	Carbon Resistor (chip)	100.0K 63M J		01
R0012	RD355220	Carbon Resistor (chip)	220.0 63M J		01
-0015	RD355220	Carbon Resistor (chip)	220.0 63M J		01
R0017	RD356470	Carbon Resistor (chip)	4.7K 63M J		01
R0018	RD356100	Carbon Resistor (chip)	1.0K 63M J		01
R0019	RD355220	Carbon Resistor (chip)	220.0 63M J		01
R0020	RD358470	Carbon Resistor (chip)	470.0K 63M J		01
R0021	RD358470	Carbon Resistor (chip)	470.0K 63M J		01
R0022	RD356100	Carbon Resistor (chip)	1.0K 63M J		01
R0023	RD358470	Carbon Resistor (chip)	470.0K 63M J		01
R0024	RD354680	Carbon Resistor (chip)	68.0 63M J		01
R0025	RD358470	Carbon Resistor (chip)	470.0K 63M J		01
R0026	RD357100	Carbon Resistor (chip)	10.0K 63M J		01
R0027	RD357100	Carbon Resistor (chip)	10.0K 63M J		01
R0028	RD356100	Carbon Resistor (chip)	1.0K 63M J		01
-0031	RD356100	Carbon Resistor (chip)	1.0K 63M J		01
R0033	RD350000	Carbon Resistor (chip)	0 63M J		01
R0034	RD357100	Carbon Resistor (chip)	10.0K 63M J		01
R0035	RD355220	Carbon Resistor (chip)	220.0 63M J		01
R0036	RD355220	Carbon Resistor (chip)	220.0 63M J		01
R0037	RD356470	Carbon Resistor (chip)	4.7K 63M J		01
R0038	RD354330	Carbon Resistor (chip)	33.0 63M J		01
R0041	RD358470	Carbon Resistor (chip)	470.0K 63M J		01
R0043	RD357470	Carbon Resistor (chip)	47.0K 63M J		01
-0046	RD357470	Carbon Resistor (chip)	47.0K 63M J		01
R0048	RD356100	Carbon Resistor (chip)	1.0K 63M J		01
-0051	RD356100	Carbon Resistor (chip)	1.0K 63M J		01
R0052	RD357470	Carbon Resistor (chip)	47.0K 63M J		01
R0053	RD354680	Carbon Resistor (chip)	68.0 63M J		01
R0054	RD357470	Carbon Resistor (chip)	47.0K 63M J		01
R0055	RD354470	Carbon Resistor (chip)	47.0 63M J		01
R0056	RD357470	Carbon Resistor (chip)	47.0K 63M J		01
R0057	RD354470	Carbon Resistor (chip)	47.0 63M J		01
R0058	RD357470	Carbon Resistor (chip)	47.0K 63M J		01
R0059	RD357220	Carbon Resistor (chip)	22.0K 63M J		01
R0060	RD354470	Carbon Resistor (chip)	47.0 63M J		01
R0061	RD357470	Carbon Resistor (chip)	47.0K 63M J		01
R0062	RD354680	Carbon Resistor (chip)	68.0 63M J		01
R0063	RD357470	Carbon Resistor (chip)	47.0K 63M J		01
R0064	RD358100	Carbon Resistor (chip)	100.0K 63M J		01
R0065	RD354680	Carbon Resistor (chip)	68.0 63M J		01
R0066	RD357220	Carbon Resistor (chip)	22.0K 63M J		01
-0068	RD357220	Carbon Resistor (chip)	22.0K 63M J		01
R0069	RD357470	Carbon Resistor (chip)	47.0K 63M J		01
R0070	RD354470	Carbon Resistor (chip)	47.0 63M J		01
R0071	RD357220	Carbon Resistor (chip)	22.0K 63M J		01
R0072	RD357470	Carbon Resistor (chip)	47.0K 63M J		01
R0073	RD357220	Carbon Resistor (chip)	22.0K 63M J		01
R0074	RD357470	Carbon Resistor (chip)	47.0K 63M J		01
R0075	RD357220	Carbon Resistor (chip)	22.0K 63M J		01
R0076	RD354680	Carbon Resistor (chip)	68.0 63M J		01
R0077	RD357470	Carbon Resistor (chip)	47.0K 63M J		01
R0078	RD350000	Carbon Resistor (chip)	0 63M J		01
R0080	RD357220	Carbon Resistor (chip)	22.0K 63M J		01
R0081	RD357470	Carbon Resistor (chip)	47.0K 63M J		01

*: New Parts

RANK: Japan only

REF NO.	PART NO.	DESCRIPTION	REMARKS	QTY	RANK
R0082	RD357470	Carbon Resistor (chip)	47.0K 63M J		01
R0083	RD354680	Carbon Resistor (chip)	68.0 63M J		01
R0084	RD357470	Carbon Resistor (chip)	47.0K 63M J		01
R0085	RD154270	Carbon Resistor (chip)	27.0 1/4 J		01
R0086	RD154270	Carbon Resistor (chip)	27.0 1/4 J		01
R0087	RD354680	Carbon Resistor (chip)	68.0 63M J		01
R0088	RD354680	Carbon Resistor (chip)	68.0 63M J		01
R0090	RD358100	Carbon Resistor (chip)	100.0K 63M J		01
R0091	RD358100	Carbon Resistor (chip)	100.0K 63M J		01
R0092	RD354330	Carbon Resistor (chip)	33.0 63M J		01
R0093	RD154270	Carbon Resistor (chip)	27.0 1/4 J		01
R0094	RD154270	Carbon Resistor (chip)	27.0 1/4 J		01
R0095	RD357150	Carbon Resistor (chip)	15.0K 63M J		01
R0096	RD354680	Carbon Resistor (chip)	68.0 63M J		01
R0097	RD357100	Carbon Resistor (chip)	10.0K 63M J		01
R0098	RD357150	Carbon Resistor (chip)	15.0K 63M J		01
R0099	RD357220	Carbon Resistor (chip)	22.0K 63M J		01
R0100	RD356150	Carbon Resistor (chip)	1.5K 63M J		01
R0102	RD356150	Carbon Resistor (chip)	1.5K 63M J		01
R0104	RD357100	Carbon Resistor (chip)	10.0K 63M J		01
R0105	RD355330	Carbon Resistor (chip)	330.0 63M J		01
R0106	RD354680	Carbon Resistor (chip)	68.0 63M J		01
-0116	RD354680	Carbon Resistor (chip)	68.0 63M J		01
R0117	RD356100	Carbon Resistor (chip)	1.0K 63M J		01
R0118	RD356100	Carbon Resistor (chip)	1.0K 63M J		01
R0119	RD357100	Carbon Resistor (chip)	10.0K 63M J		01
R0120	RD357100	Carbon Resistor (chip)	10.0K 63M J		01
R0123	RD350000	Carbon Resistor (chip)	0 63M J		01
R0124	RD350000	Carbon Resistor (chip)	0 63M J		01
R0126	RD350000	Carbon Resistor (chip)	0 63M J		01
R0127	RD350000	Carbon Resistor (chip)	0 63M J		01
R0128	RD356470	Carbon Resistor (chip)	4.7K 63M J		01
R0129	RD350000	Carbon Resistor (chip)	0 63M J		01
R0130	RD356470	Carbon Resistor (chip)	4.7K 63M J		01
R0131	RD350000	Carbon Resistor (chip)	0 63M J		01
R0132	RD356470	Carbon Resistor (chip)	4.7K 63M J		01
R0133	RD357100	Carbon Resistor (chip)	10.0K 63M J		01
R0134	RD356470	Carbon Resistor (chip)	4.7K 63M J		01
R0135	RD350000	Carbon Resistor (chip)	0 63M J		01
R0137	RD357100	Carbon Resistor (chip)	10.0K 63M J		01
R0138	RD350000	Carbon Resistor (chip)	0 63M J		01
R0139	RD350000	Carbon Resistor (chip)	0 63M J		01
R0141	RD357100	Carbon Resistor (chip)	10.0K 63M J		01
R0142	RD357470	Carbon Resistor (chip)	47.0K 63M J		01
R0143	RD357100	Carbon Resistor (chip)	10.0K 63M J		01
R0144	RD357470	Carbon Resistor (chip)	47.0K 63M J		01
R0145	RD350000	Carbon Resistor (chip)	0 63M J		01
R0147	RD357470	Carbon Resistor (chip)	47.0K 63M J		01
R0148	RD355100	Carbon Resistor (chip)	100.0 63M J		01
R0149	RD355100	Carbon Resistor (chip)	100.0 63M J		01
R0152	RD354680	Carbon Resistor (chip)	68.0 63M J		01
R0153	RD356470	Carbon Resistor (chip)	4.7K 63M J		01
R0155	RD350000	Carbon Resistor (chip)	0 63M J		01
R0157	RD350000	Carbon Resistor (chip)	0 63M J		01
R0170	RD355100	Carbon Resistor (chip)	100.0 63M J		01
R0174	RD354470	Carbon Resistor (chip)	47.0 63M J		01
-0179	RD354470	Carbon Resistor (chip)	47.0 63M J		01
R0180	RD354330	Carbon Resistor (chip)	33.0 63M J		01
R0181	RD354470	Carbon Resistor (chip)	47.0 63M J		01
-0183	RD354470	Carbon Resistor (chip)	47.0 63M J		01
R0184	RD355100	Carbon Resistor (chip)	100.0 63M J		01
R0196	RD354470	Carbon Resistor (chip)	47.0 63M J		01
-0199	RD354470	Carbon Resistor (chip)	47.0 63M J		01
R0202	RD354470	Carbon Resistor (chip)	47.0 63M J		01
-0216	RD354470	Carbon Resistor (chip)	47.0 63M J		01
R0217	RD355100	Carbon Resistor (chip)	100.0 63M J		01
R0218	RD355100	Carbon Resistor (chip)	100.0 63M J		01
R0219	RD354470	Carbon Resistor (chip)	47.0 63M J		01
-0224	RD354470	Carbon Resistor (chip)	47.0 63M J		01
R0225	RD358470	Carbon Resistor (chip)	470.0K 63M J		01

*: New Parts

RANK: Japan only

REF NO.	PART NO.	DESCRIPTION	REMARKS	QTY	RANK
R0226	RD355100	Carbon Resistor (chip)	100.0 63M J		01
R0227	RD358470	Carbon Resistor (chip)	470.0K 63M J		01
R0228	RD358470	Carbon Resistor (chip)	470.0K 63M J		01
R0229	RD357100	Carbon Resistor (chip)	10.0K 63M J		01
R0230	RD357100	Carbon Resistor (chip)	10.0K 63M J		01
R0231	RD356100	Carbon Resistor (chip)	1.0K 63M J		01
R0232	RD357100	Carbon Resistor (chip)	10.0K 63M J		01
R0235	RD357100	Carbon Resistor (chip)	10.0K 63M J		01
-0237	RD357100	Carbon Resistor (chip)	10.0K 63M J		01
R0238	RD358100	Carbon Resistor (chip)	100.0K 63M J		01
R0239	RD356470	Carbon Resistor (chip)	4.7K 63M J		01
R0240	RD357100	Carbon Resistor (chip)	10.0K 63M J		01
R0241	RD355470	Carbon Resistor (chip)	470.0 63M J		01
R0242	RD358100	Carbon Resistor (chip)	100.0K 63M J		01
R0250	RD354470	Carbon Resistor (chip)	47.0 63M J		01
R0252	RD354470	Carbon Resistor (chip)	47.0 63M J		01
R0253	RD354330	Carbon Resistor (chip)	33.0 63M J		01
R0255	RD354330	Carbon Resistor (chip)	33.0 63M J		01
R0261	RD354680	Carbon Resistor (chip)	68.0 63M J		01
R0262	RD356470	Carbon Resistor (chip)	4.7K 63M J		01
R0263	RD354680	Carbon Resistor (chip)	68.0 63M J		01
R0264	RD356470	Carbon Resistor (chip)	4.7K 63M J		01
R0265	RD354680	Carbon Resistor (chip)	68.0 63M J		01
R0266	RD356330	Carbon Resistor (chip)	3.3K 63M J		01
R0267	RD357100	Carbon Resistor (chip)	10.0K 63M J		01
R0268	RD356330	Carbon Resistor (chip)	3.3K 63M J		01
R0269	RD355100	Carbon Resistor (chip)	100.0 63M J		01
R0270	RD356470	Carbon Resistor (chip)	4.7K 63M J		01
R0271	RD357100	Carbon Resistor (chip)	10.0K 63M J		01
-0274	RD357100	Carbon Resistor (chip)	10.0K 63M J		01
R0275	RD359100	Carbon Resistor (chip)	1.0M 63M J		01
R0276	RD354470	Carbon Resistor (chip)	47.0 63M J		01
R0277	RD354100	Carbon Resistor (chip)	10.0 63M J		01
-0279	RD354100	Carbon Resistor (chip)	10.0 63M J		01
R0280	RD354470	Carbon Resistor (chip)	47.0 63M J		01
R0281	RD356470	Carbon Resistor (chip)	4.7K 63M J		01
R0282	RD355100	Carbon Resistor (chip)	100.0 63M J		01
-0285	RD355100	Carbon Resistor (chip)	100.0 63M J		01
R0286	RD356100	Carbon Resistor (chip)	1.0K 63M J		01
R0287	RD357100	Carbon Resistor (chip)	10.0K 63M J		01
R0288	RD356470	Carbon Resistor (chip)	4.7K 63M J		01
R0289	RD356470	Carbon Resistor (chip)	4.7K 63M J		01
R0290	RD354680	Carbon Resistor (chip)	68.0 63M J		01
R0291	RD359100	Carbon Resistor (chip)	1.0M 63M J		01
R0292	RD355270	Carbon Resistor (chip)	270.0 63M J		01
R0293	RD357220	Carbon Resistor (chip)	22.0K 63M J		01
R0294	RD354470	Carbon Resistor (chip)	47.0 63M J		01
R0295	RD357470	Carbon Resistor (chip)	47.0K 63M J		01
R0296	RD354470	Carbon Resistor (chip)	47.0 63M J		01
R0297	RD355220	Carbon Resistor (chip)	220.0 63M J		01
R0298	RD355220	Carbon Resistor (chip)	220.0 63M J		01
R0299	RD357220	Carbon Resistor (chip)	22.0K 63M J		01
R0300	RD354680	Carbon Resistor (chip)	68.0 63M J		01
R0301	RD350000	Carbon Resistor (chip)	0 63M J		01
R0302	RD357220	Carbon Resistor (chip)	22.0K 63M J		01
R0304	RD354470	Carbon Resistor (chip)	47.0 63M J		01
R0307	RD354680	Carbon Resistor (chip)	68.0 63M J		01
R0308	RD354680	Carbon Resistor (chip)	68.0 63M J		01
R0309	RD359100	Carbon Resistor (chip)	1.0M 63M J		01
R0310	RD350000	Carbon Resistor (chip)	0 63M J		01
R0311	RD350000	Carbon Resistor (chip)	0 63M J		01
R0319	RD354470	Carbon Resistor (chip)	47.0 63M J		01
R0320	RD354470	Carbon Resistor (chip)	47.0 63M J		01
R0321	RD350000	Carbon Resistor (chip)	0 63M J		01
R0326	RD354680	Carbon Resistor (chip)	68.0 63M J		01
R0327	RD354680	Carbon Resistor (chip)	68.0 63M J		01
R0329	RD355100	Carbon Resistor (chip)	100.0 63M J		01
R0330	RD150000	Carbon Resistor (chip)	0.0 1/4 J		01
R0331	RD355100	Carbon Resistor (chip)	100.0 63M J		01
R0332	RD356560	Carbon Resistor (chip)	5.6K 63M J		01

*: New Parts

RANK: Japan only

REF NO.	PART NO.	DESCRIPTION		REMARKS	QTY	RANK
R0333	RD355470	Carbon Resistor (chip)	470.0 63M J			01
R0334	RD357100	Carbon Resistor (chip)	10.0K 63M J			01
R0335	RD357100	Carbon Resistor (chip)	10.0K 63M J			01
R0336	RD350000	Carbon Resistor (chip)	0 63M J			01
R0338	RD357470	Carbon Resistor (chip)	47.0K 63M J			01
R0339	RD357470	Carbon Resistor (chip)	47.0K 63M J			01
R0340	RD350000	Carbon Resistor (chip)	0 63M J			01
R0341	RD356470	Carbon Resistor (chip)	4.7K 63M J			01
R0344	RD350000	Carbon Resistor (chip)	0 63M J			01
R0347	RD350000	Carbon Resistor (chip)	0 63M J			01
R0349	RD350000	Carbon Resistor (chip)	0 63M J			01
R0355	RD354330	Carbon Resistor (chip)	33.0 63M J			01
R0400	RD354470	Carbon Resistor (chip)	47.0 63M J			01
R0401	RD354470	Carbon Resistor (chip)	47.0 63M J			01
RA001	RE044680	Resistor Array	68X4			01
-008	RE044680	Resistor Array	68X4			01
RA010	RE044680	Resistor Array	68X4			01
-013	RE044680	Resistor Array	68X4			01
RA014	RE047100	Resistor Array	10KX4			01
RA015	RE047100	Resistor Array	10KX4			01
RA016	RE044470	Resistor Array	47X4			01
-023	RE044470	Resistor Array	47X4			01
RA028	RE044220	Resistor Array	22X4			01
-033	RE044220	Resistor Array	22X4			01
RA034	RE047470	Resistor Array	47KX4			01
-039	RE047470	Resistor Array	47KX4			01
RA043	RE047470	Resistor Array	47KX4			01
-046	RE047470	Resistor Array	47KX4			01
RA047	RE044470	Resistor Array	47X4			01
-056	RE044470	Resistor Array	47X4			01
RA057	RE047100	Resistor Array	10KX4			01
-059	RE047100	Resistor Array	10KX4			01
RA076	RE044470	Resistor Array	47X4			01
RA077	RE047470	Resistor Array	47KX4			01
RA078	RE045100	Resistor Array	100X4			01
RA079	RE044470	Resistor Array	47X4			01
RA080	RE047470	Resistor Array	47KX4			01
RA081	RE045100	Resistor Array	100X4			01
RA082	RE047470	Resistor Array	47KX4			01
-085	RE047470	Resistor Array	47KX4			01
RA086	RE044470	Resistor Array	47X4			01
-093	RE044470	Resistor Array	47X4			01
SW001	V3026900	Jumper Wire	CHS-01 TA1	Model Select		02
SW003	V3026900	Jumper Wire	CHS-01 TA1	J/E Select		02
* TR003	V2569000	Transistor	2SB766A			01
TR004	VV556400	Transistor	2SC2412K Q,R,S			01
X0001	V9704700	Quartz Crystal Unit	48MHz SG-710ECK	}		04
X0001	WA244900	Quartz Crystal Unit	48.000MHz DSO751SV			04
X0002	VP864900	Quartz Crystal Unit	16MHz SMD-49			01
X0006	VY681200	Ceramic Resonator	CSTCC8M00G53-R0			03
X0007	V3625600	Quartz Crystal Unit	22.5792MHz SMD-49			01
X0008	VY681200	Ceramic Resonator	CSTCC8M00G53-R0			01
* CN2	WC298900	Circuit Board	ENC1	(WB42300)(X4393D0)		01
D1	VB941200	Connector Base Post	PH 4P SE			01
D2	VB941200	Diode	1SS133,1SS176			01
ENC1	VU481300	Encoder	REB161 PVB 15F	TEMPO		03
* CN3	WC299000	Circuit Board	ENC2	(WB42300)(X4393D0)		01
D3	VB941200	Connector Base Post	PH 4P SE			01
D4	VB941200	Diode	1SS133,1SS176			01
ENC2	VU481300	Encoder	REB161 PVB 15F	DATA CONTROL		03
* C1	WC299700	Circuit Board	MVR	(WB42300)(X4393D0)		01
CN4	VC694800	Semiconductive Cera. Cap.	0.1000 25V Z			01
R11	VB858700	Connector Base Post	PH 8P SE			01
R12	HF755100	Carbon Resistor	100.0 1/4 J			01
R12	HF755100	Carbon Resistor	100.0 1/4 J			01

*: New Parts

RANK: Japan only

REF NO.	PART NO.	DESCRIPTION		REMARKS	QTY	RANK
VR1	V8100100	Rotary Variable Resistor	A 10K RK14K1220A69	MASTER VOLUME		03
*	WC301600	Circuit Board	TEMPO	(WB42300)(X4393D0)		
	--	Jumper Wire	0.55	(VA07890)		
CN1	VH904200	Connector Base Post	PH 14P SE			01
LD1	VC999500	LED Display	SL-9284-22	BAR/BEAT TEMPO		07
LD2	VC999500	LED Display	SL-9284-22	BAR/BEAT TEMPO		07
LD3	VL387200	LED	SLZ-989C-03	BAR/BEAT		01
R1	HF754470	Carbon Resistor	47.0 1/4 J			01
-9	HF754470	Carbon Resistor	47.0 1/4 J			01
*	WB555200	Circuit Board	EQ	ELS-01 (WB55460)(X4413A0)		
*	WB555100	Circuit Board	EQ	ELS-01C (WB55450)(X4413A0)		
C0101	US145100	Ceramic Capacitor-F (chip)	0.1000 25V Z			01
-0105	US145100	Ceramic Capacitor-F (chip)	0.1000 25V Z			01
C0106	UR847470	Electrolytic Cap.	47.00 25.0V			01
C0107	US145100	Ceramic Capacitor-F (chip)	0.1000 25V Z			01
-0111	US145100	Ceramic Capacitor-F (chip)	0.1000 25V Z			01
C0112	UR847470	Electrolytic Cap.	47.00 25.0V			01
C0113	US063100	Ceramic Capacitor-B (chip)	1000P 50V K			01
C0114	US063100	Ceramic Capacitor-B (chip)	1000P 50V K			01
C0115	UN866100	Electrolytic Cap.-BP	1.00 50.0V			01
C0116	UN866100	Electrolytic Cap.-BP	1.00 50.0V			01
C0147	US062470	Ceramic Capacitor-SL(chip)	470P 50V J			01
C0148	US062470	Ceramic Capacitor-SL(chip)	470P 50V J			01
C0149	UN847100	Electrolytic Cap.-BP	10.00 25.0V			01
C0150	UN847100	Electrolytic Cap.-BP	10.00 25.0V			01
C0201	VE326700	Monolithic Mylar Capacitor	0.39 50V J	ELS-01		01
C0201	VE326800	Monolithic Mylar Capacitor	0.4700 50V J	ELS-01C		01
C0202	VE327100	Monolithic Mylar Capacitor	0.82 50V J	ELS-01		02
C0202	VE326900	Monolithic Mylar Capacitor	0.56 50V J	ELS-01C		01
C0203	VE326400	Monolithic Mylar Capacitor	0.22 50V J	ELS-01		01
C0203	VE326800	Monolithic Mylar Capacitor	0.4700 50V J	ELS-01C		01
C0204	VE326800	Monolithic Mylar Capacitor	0.4700 50V J	ELS-01		01
C0204	VE326700	Monolithic Mylar Capacitor	0.39 50V J	ELS-01C		01
C0205	UA654680	Mylar Capacitor	0.0680 50V J	ELS-01		02
C0205	VE326300	Monolithic Mylar Capacitor	0.18 50V J	ELS-01C		01
C0206	UA654680	Mylar Capacitor	0.0680 50V J	ELS-01		02
C0206	VE326600	Monolithic Mylar Capacitor	0.33 50V J	ELS-01C		01
C0207	UA654180	Mylar Capacitor	0.0180 50V J	ELS-01		01
C0207	UA654100	Mylar Capacitor	0.0100 50V J	ELS-01C		01
C0208	UA654150	Mylar Capacitor	0.0150 50V J	ELS-01		01
C0208	UA653560	Mylar Capacitor	5600P 50V J	ELS-01C		01
C0209	UA653680	Mylar Capacitor	6800P 50V J	ELS-01		01
C0209	UA653220	Mylar Capacitor	2200P 50V J	ELS-01C		01
C0210	UA653390	Mylar Capacitor	3900P 50V J			01
C0301	VE326700	Monolithic Mylar Capacitor	0.39 50V J	ELS-01		01
C0301	VE326800	Monolithic Mylar Capacitor	0.4700 50V J	ELS-01C		01
C0302	VE327100	Monolithic Mylar Capacitor	0.82 50V J	ELS-01		02
C0302	VE326900	Monolithic Mylar Capacitor	0.56 50V J	ELS-01C		01
C0303	VE326400	Monolithic Mylar Capacitor	0.22 50V J	ELS-01		01
C0303	VE326800	Monolithic Mylar Capacitor	0.4700 50V J	ELS-01C		01
C0304	VE326800	Monolithic Mylar Capacitor	0.4700 50V J	ELS-01		01
C0304	VE326700	Monolithic Mylar Capacitor	0.39 50V J	ELS-01C		01
C0305	UA654680	Mylar Capacitor	0.0680 50V J	ELS-01		02
C0305	VE326300	Monolithic Mylar Capacitor	0.18 50V J	ELS-01C		01
C0306	UA654680	Mylar Capacitor	0.0680 50V J	ELS-01		02
C0306	VE326600	Monolithic Mylar Capacitor	0.33 50V J	ELS-01C		01
C0307	UA654180	Mylar Capacitor	0.0180 50V J	ELS-01		01
C0307	UA654100	Mylar Capacitor	0.0100 50V J	ELS-01C		01
C0308	UA654150	Mylar Capacitor	0.0150 50V J	ELS-01		01
C0308	UA653560	Mylar Capacitor	5600P 50V J	ELS-01C		01
C0309	UA653680	Mylar Capacitor	6800P 50V J	ELS-01		01
C0309	UA653220	Mylar Capacitor	2200P 50V J	ELS-01C		01
C0310	UA653390	Mylar Capacitor	3900P 50V J			01
CN001	VB390600	Connector Base Post	PH 10P TE			01
CN002	VB390500	Connector Base Post	PH 9P TE			03
IC001	XF291A00	IC	UPC4570G2	OP AMP		03
IC002	XE518A00	IC	UPC4574G2	OP AMP		03
-005	XE518A00	IC	UPC4574G2	OP AMP		03

*: New Parts

RANK: Japan only

REF NO.	PART NO.	DESCRIPTION		REMARKS	QTY	RANK
R0103	RD356100	Carbon Resistor (chip)	1.0K 63M J			01
R0104	RD356100	Carbon Resistor (chip)	1.0K 63M J			01
R0105	RD357330	Carbon Resistor (chip)	33.0K 63M J			01
R0106	RD357330	Carbon Resistor (chip)	33.0K 63M J			01
R0109	RD356330	Carbon Resistor (chip)	3.3K 63M J			01
R0110	RD356330	Carbon Resistor (chip)	3.3K 63M J			01
R0175	RD356330	Carbon Resistor (chip)	3.3K 63M J			01
R0176	RD356330	Carbon Resistor (chip)	3.3K 63M J			01
R0177	RD357100	Carbon Resistor (chip)	10.0K 63M J			01
R0178	RD357100	Carbon Resistor (chip)	10.0K 63M J			01
R0179	RD355100	Carbon Resistor (chip)	100.0 63M J			01
R0180	RD355100	Carbon Resistor (chip)	100.0 63M J			01
R0201	RD357180	Carbon Resistor (chip)	18.0K 63M J			01
R0202	RD356180	Carbon Resistor (chip)	1.8K 63M J	ELS-01		01
R0202	RD356100	Carbon Resistor (chip)	1.0K 63M J	ELS-01C		01
R0203	RD357150	Carbon Resistor (chip)	15.0K 63M J	ELS-01		01
R0203	RD357180	Carbon Resistor (chip)	18.0K 63M J	ELS-01C		01
R0204	RD356220	Carbon Resistor (chip)	2.2K 63M J	ELS-01		01
R0204	RD356180	Carbon Resistor (chip)	1.8K 63M J	ELS-01C		01
R0205	RD356390	Carbon Resistor (chip)	3.9K 63M J	ELS-01		01
R0205	RD356220	Carbon Resistor (chip)	2.2K 63M J	ELS-01C		01
R0206	RD357150	Carbon Resistor (chip)	15.0K 63M J	ELS-01		01
R0206	RD357180	Carbon Resistor (chip)	18.0K 63M J	ELS-01C		01
R0207	RD356270	Carbon Resistor (chip)	2.7K 63M J	ELS-01		01
R0207	RD357180	Carbon Resistor (chip)	18.0K 63M J	ELS-01C		01
R0208	RD357120	Carbon Resistor (chip)	12.0K 63M J	ELS-01		01
R0208	RD356330	Carbon Resistor (chip)	3.3K 63M J	ELS-01C		01
R0209	RD356470	Carbon Resistor (chip)	4.7K 63M J	ELS-01		01
R0209	RD357180	Carbon Resistor (chip)	18.0K 63M J	ELS-01C		01
R0210	RD357150	Carbon Resistor (chip)	15.0K 63M J	ELS-01		01
R0210	RD356390	Carbon Resistor (chip)	3.9K 63M J	ELS-01C		01
R0301	RD357180	Carbon Resistor (chip)	18.0K 63M J			01
R0302	RD356180	Carbon Resistor (chip)	1.8K 63M J	ELS-01		01
R0302	RD356100	Carbon Resistor (chip)	1.0K 63M J	ELS-01C		01
R0303	RD357150	Carbon Resistor (chip)	15.0K 63M J	ELS-01		01
R0303	RD357180	Carbon Resistor (chip)	18.0K 63M J	ELS-01C		01
R0304	RD356220	Carbon Resistor (chip)	2.2K 63M J	ELS-01		01
R0304	RD356180	Carbon Resistor (chip)	1.8K 63M J	ELS-01C		01
R0305	RD356390	Carbon Resistor (chip)	3.9K 63M J	ELS-01		01
R0305	RD356220	Carbon Resistor (chip)	2.2K 63M J	ELS-01C		01
R0306	RD357150	Carbon Resistor (chip)	15.0K 63M J	ELS-01		01
R0306	RD357180	Carbon Resistor (chip)	18.0K 63M J	ELS-01C		01
R0307	RD356270	Carbon Resistor (chip)	2.7K 63M J	ELS-01		01
R0307	RD357180	Carbon Resistor (chip)	18.0K 63M J	ELS-01C		01
R0308	RD357120	Carbon Resistor (chip)	12.0K 63M J	ELS-01		01
R0308	RD356330	Carbon Resistor (chip)	3.3K 63M J	ELS-01C		01
R0309	RD356470	Carbon Resistor (chip)	4.7K 63M J	ELS-01		01
R0309	RD357180	Carbon Resistor (chip)	18.0K 63M J	ELS-01C		01
R0310	RD357150	Carbon Resistor (chip)	15.0K 63M J	ELS-01		01
R0310	RD356390	Carbon Resistor (chip)	3.9K 63M J	ELS-01C		01
R0401	RD357470	Carbon Resistor (chip)	47.0K 63M J			01
-0409	RD357470	Carbon Resistor (chip)	47.0K 63M J			01
R0413	RD355560	Carbon Resistor (chip)	560.0 63M J			01
-0419	RD355560	Carbon Resistor (chip)	560.0 63M J			01
R0501	RD357470	Carbon Resistor (chip)	47.0K 63M J			01
-0509	RD357470	Carbon Resistor (chip)	47.0K 63M J			01
R0513	RD355560	Carbon Resistor (chip)	560.0 63M J			01
-0519	RD355560	Carbon Resistor (chip)	560.0 63M J			01
R0603	RD350000	Carbon Resistor (chip)	0 63M J			01
R0703	RD350000	Carbon Resistor (chip)	0 63M J			01
	VJ965100	Circuit Board	EXP (2CH)	(LV12810)(X1345A0)		07
02	VA228800	Rotary Variable Resistor	B10K RK16Y11L0002A	EXP. VOLUME		05
03	VB858300	Connector Base Post	PH 4P SE			01
04	VB858500	Connector Base Post	PH 6P SE			01
	VJ965300	Circuit Board	EXP (2ND)	ELS-01C (VL12820)(X1346A0)		07
02	VB437200	Rotary Variable Resistor	B10K RK16Y11L0003B	EXP. VOLUME		05
03	VB858300	Connector Base Post	PH 4P SE			01

*: New Parts

RANK: Japan only

REF NO.	PART NO.	DESCRIPTION		REMARKS	QTY	RANK
*	WC247200	Circuit Board	HP	(WC24710)(XQ795A0)		
	--	Jumper Wire	0.55	(VA07890)		
C1	VT439600	Monolithic Ceramic Cap.	0.100 50V Z			01
-5	VT439600	Monolithic Ceramic Cap.	0.100 50V Z			01
C6	--	Jumper Wire	0.55	(VA07890)		
C7	--	Jumper Wire	0.55	(VA07890)		
CN1	VB858500	Connector Base Post	PH 6P SE			01
CN3	LB919020	Base Post Connector	XH 2P SE			01
FL1	VB971100	Coil	FL5R200QN 20uH			01
-6	VB971100	Coil	FL5R200QN 20uH			01
HP1	LB101870	Phone Jack	YKB21-5006	PHONES		03
HP2	LB101870	Phone Jack	YKB21-5006	PHONES		03
R1	V9295000	Carbon Resistor	33.0 1/2 J			01
-4	V9295000	Carbon Resistor	33.0 1/2 J			01
*	WB922900	Circuit Board	HUB	ELS-01C (WB92300)(X4731A0)		
C0001	US061220	Ceramic Capacitor-CH(chip)	22P 50V J			01
C0002	US061220	Ceramic Capacitor-CH(chip)	22P 50V J			01
C0003	UF017470	Electrolytic Cap. (chip)	47 6.3V			01
C0004	US135100	Ceramic Capacitor-F (chip)	0.1000 16V Z			01
-0007	US135100	Ceramic Capacitor-F (chip)	0.1000 16V Z			01
C0008	US064100	Ceramic Capacitor-B (chip)	0.0100 50V K			01
C0009	UF037100	Electrolytic Cap. (chip)	10 16V			01
C0010	US126100	Ceramic Capacitor-F (chip)	1.0000 10V Z			01
* C0011	V9452100	Electrolytic Cap. (chip)	100.00 6.3V			
* C0012	V9452100	Electrolytic Cap. (chip)	100.00 6.3V			
C0013	US135100	Ceramic Capacitor-F (chip)	0.1000 16V Z			01
C0014	US135100	Ceramic Capacitor-F (chip)	0.1000 16V Z			01
CN001	VB390200	Connector Base Post	PH 6P TE			01
CN002	VB390000	Connector Base Post	PH 4P TE			01
CN003	VB390200	Connector Base Post	PH 6P TE			01
CN004	VB390200	Connector Base Post	PH 6P TE			01
* IC001	X4704A00	IC	TUSB2046BVF	4-PORT USB HUB		
IC002	XZ625A00	IC	M62722ML	SYSTEM RESET		01
IC003	XZ642A00	IC	TAR5S33	REGULATOR +3.3V		
* IC004	X4722A00	IC	UPD16875G	USB POWER SWITCH		
R0001	RD356150	Carbon Resistor (chip)	1.5K 63M J			01
R0002	RD356150	Carbon Resistor (chip)	1.5K 63M J			01
R0003	RD357100	Carbon Resistor (chip)	10.0K 63M J			01
-0008	RD357100	Carbon Resistor (chip)	10.0K 63M J			01
R0009	RD354270	Carbon Resistor (chip)	27.0 63M J			01
-0012	RD354270	Carbon Resistor (chip)	27.0 63M J			01
R0013	RD357150	Carbon Resistor (chip)	15.0K 63M J			01
-0016	RD357150	Carbon Resistor (chip)	15.0K 63M J			01
R0017	RD357100	Carbon Resistor (chip)	10.0K 63M J			01
-0020	RD357100	Carbon Resistor (chip)	10.0K 63M J			01
X0001	V4093500	Quartz Crystal Unit	6MHz SMD-49			03
	VJ965800	Circuit Board	KNELEV	(VL12800)(X1347A0)		03
CN1	VB858300	Connector Base Post	PH 4P SE			01
*	WB554800	Circuit Board	MA80N	J (WB55420)(X4384D0)		
*	WC031200	Circuit Board	MA80N	Q,V,K (WC03130)(X4384D0)		
	VT740000	Support, PCB	3T-9 T=9		2	03
	--	Silicon Grease	X-113A G746	(VA79810)		
	VJ834500	Insulation Sheet	#1000			03
	--	Jumper Wire	0.55	(VD04170)		
⚠ FS2	KB003630	Fuse	5.00A JU 125V	J		01
⚠ FS2	KB000780	Fuse	T 5.00AL/250V S	Q,V,K		02
⚠ FS3	KB003630	Fuse	5.00A JU 125V	J		01
⚠ FS3	KB000780	Fuse	T 5.00AL/250V S	Q,V,K		02
* C0001	V7545000	Monolithic Ceramic Cap.	0.0220 250V K			
* C0003	V7545000	Monolithic Ceramic Cap.	0.0220 250V K			
C0005	VL232400	Electrolytic Cap.	3300 35.0V			04
-0008	VL232400	Electrolytic Cap.	3300 35.0V			04
C0010	US062100	Ceramic Capacitor-SL(chip)	100P 50V J			01
C0011	VE326800	Monolithic Mylar Capacitor	0.4700 50V J			01
C0012	US062220	Ceramic Capacitor-SL(chip)	220P 50V J			01
C0013	UR838100	Electrolytic Cap.	100.00 16.0V			01
C0015	UR868100	Electrolytic Cap.	100.00 50.0V			01

*: New Parts

RANK: Japan only

REF NO.	PART NO.	DESCRIPTION		REMARKS	QTY	RANK
C0016	UR867100	Electrolytic Cap.	10.00 50.0V			01
C0017	UR867100	Electrolytic Cap.	10.00 50.0V			01
C0018	UR868100	Electrolytic Cap.	100.00 50.0V			01
C0020	UR838100	Electrolytic Cap.	100.00 16.0V			01
C0021	US062220	Ceramic Capacitor-SL(chip)	220P 50V J			01
C0022	US062100	Ceramic Capacitor-SL(chip)	100P 50V J			01
C0023	VE326800	Monolithic Mylar Capacitor	0.4700 50V J			01
C0025	US145100	Ceramic Capacitor-F (chip)	0.1000 25V Z			01
-0028	US145100	Ceramic Capacitor-F (chip)	0.1000 25V Z			01
C0029	UN838100	Electrolytic Cap.-BP	100.00 16.0V			01
C0031	VL232300	Electrolytic Cap.	2200 25.0V			03
C0032	VL232300	Electrolytic Cap.	2200 25.0V			03
C0033	UR866100	Electrolytic Cap.	1.00 50.0V			01
-0036	UR866100	Electrolytic Cap.	1.00 50.0V			01
C0037	US145100	Ceramic Capacitor-F (chip)	0.1000 25V Z			01
-0040	US145100	Ceramic Capacitor-F (chip)	0.1000 25V Z			01
C0047	UR866330	Electrolytic Cap.	3.30 50.0V			01
C0059	US061270	Ceramic Capacitor-CH(chip)	27P 50V J			01
C0060	US061270	Ceramic Capacitor-CH(chip)	27P 50V J			01
C0061	UR839330	Electrolytic Cap.	3300 16.0V			01
CN001	LB932080	Base Post Connector	VH 8P TE			01
CN005	LB932040	Base Post Connector	VH 4P TE			01
CN006	VB390500	Connector Base Post	PH 9P TE			03
CN011	VB389800	Connector Base Post	PH 2P TE			01
* D0001	WB520600	Diode	10EDB40-TA2B5	}		
* D0001	WD009700	Diode	10EDB40-TA1B2			
* D0002	WB520600	Diode	10EDB40-TA2B5			
* D0002	WD009700	Diode	10EDB40-TA1B2			
D0003	VT332900	Diode	1SS355 TE-17			01
-0005	VT332900	Diode	1SS355 TE-17			01
D0008	VT332900	Diode	1SS355 TE-17			01
D0009	VT332900	Diode	1SS355 TE-17			01
D0011	VT332900	Diode	1SS355 TE-17			01
DB002	VQ111500	Diode Stack	D3SBA20-4103 4.0A			03
DB003	VR253700	Diode Stack	S1NB20 1.0A 200V			02
F0002	WC050700	Fuse Clip	EYF52BCY			01
F0003	WC050700	Fuse Clip	EYF52BCY			01
IC003	XJ602A00	IC	NJM78M12FA	REGULATOR +12V		02
IC004	XD343A00	IC	NJM79M12FA	REGULATOR -12V		03
* IC006	X4375A00	IC	STK402-040S	AUDIO POWER AMP 40Wx2CH		
△ R0001	VU253100	Fuse Resistor	0.47 1/2 J			01
△ R0002	VU253100	Fuse Resistor	0.47 1/2 J			01
* R0003	RD156390	Carbon Resistor (chip)	3.9K 1/4 J			
R0005	RD356470	Carbon Resistor (chip)	4.7K 63M J			01
R0006	RD357390	Carbon Resistor (chip)	39.0K 63M J			01
R0007	RD356220	Carbon Resistor (chip)	2.2K 63M J			01
R0010	RD357390	Carbon Resistor (chip)	39.0K 63M J			01
R0011	RD357100	Carbon Resistor (chip)	10.0K 63M J			01
R0012	RD355390	Carbon Resistor (chip)	390.0 63M J			01
R0013	RD357120	Carbon Resistor (chip)	12.0K 63M J			01
R0014	HW095100	Fuse Resistor	100.0 1/4 J			01
R0015	RD157100	Carbon Resistor (chip)	10.0K 1/4 J			01
R0020	HW095100	Fuse Resistor	100.0 1/4 J			01
R0021	RD357120	Carbon Resistor (chip)	12.0K 63M J			01
R0022	RD355390	Carbon Resistor (chip)	390.0 63M J			01
R0023	RD357390	Carbon Resistor (chip)	39.0K 63M J			01
R0024	RD357100	Carbon Resistor (chip)	10.0K 63M J			01
R0027	VC742500	Metal Oxide Film Resistor	10.0 1W J			01
R0028	VC742500	Metal Oxide Film Resistor	10.0 1W J			01
R0029	RD157100	Carbon Resistor (chip)	10.0K 1/4 J			01
R0030	RD157100	Carbon Resistor (chip)	10.0K 1/4 J			01
R0031	RD356120	Carbon Resistor (chip)	1.2K 63M J			01
R0032	RD357470	Carbon Resistor (chip)	47.0K 63M J			01
R0033	--	Jumper Wire	0.55	(VD04170)		
-0036	--	Jumper Wire	0.55	(VD04170)		
R0043	RD356330	Carbon Resistor (chip)	3.3K 63M J			01
R0044	RD355100	Carbon Resistor (chip)	100.0 63M J			01
* RY001	WB476400	Relay	DC G5PA-28 12V			
TR001	VV556400	Transistor	2SC2412K Q,R,S			01
-004	VV556400	Transistor	2SC2412K Q,R,S			01

*: New Parts

RANK: Japan only

REF NO.	PART NO.	DESCRIPTION		REMARKS	QTY	RANK
TR008	VV556400	Transistor	2SC2412K Q,R,S			01
TR009	VV556400	Transistor	2SC2412K Q,R,S			01
*	WB833200	Circuit Board	MBL	(WB83310)(X4521C0)		
*	WB833300	Circuit Board	MBR	(WB83310)(X4521C0)		
C0100	US064100	Ceramic Capacitor-B (chip)	0.0100 50V K			01
C0101	US064100	Ceramic Capacitor-B (chip)	0.0100 50V K			01
C0102	US145100	Ceramic Capacitor-F (chip)	0.1000 25V Z			01
C0103	US145100	Ceramic Capacitor-F (chip)	0.1000 25V Z			01
C0104	UR828470	Electrolytic Cap.	470.00 10.0V			01
C0105	UR828470	Electrolytic Cap.	470.00 10.0V			01
C0106	US145100	Ceramic Capacitor-F (chip)	0.1000 25V Z			01
C0107	US145100	Ceramic Capacitor-F (chip)	0.1000 25V Z			01
C0200	US145100	Ceramic Capacitor-F (chip)	0.1000 25V Z			01
C0201	UR828470	Electrolytic Cap.	470.00 10.0V			01
C0202	US064100	Ceramic Capacitor-B (chip)	0.0100 50V K			01
CN100	VZ581400	Plug	8800 60P SE			05
CN101	VZ581200	Connector Receptacle	8800 60P TE			05
*	V6089100	Plug	8811 60P TE			
CN103	LB932070	Base Post Connector	VH 7P TE			01
CN104	VB390000	Connector Base Post	PH 4P TE			01
CN105	VB390100	Connector Base Post	PH 5P TE			01
CN106	LB918020	Base Post Connector	XH 2P TE			01
CN200	VZ581200	Connector Receptacle	8800 60P TE			05
-202	VZ581200	Connector Receptacle	8800 60P TE			05
*	CN203	Connector Receptacle	8801 60P SE			
CN204	LB932040	Base Post Connector	VH 4P TE			01
D0100	VT332900	Diode	1SS355 TE-17			01
-0102	VT332900	Diode	1SS355 TE-17			01
IC100	IS024500	IC	HD74LV245AFPEL	TRANSCIEVER		02
IC101	XS792A00	IC	HD74LVC32FP	OR		01
IC102	XW876A00	IC	TC74VHC14F-EL	INVERTER		01
IC200	XS792A00	IC	HD74LVC32FP	OR		01
R0100	RD350000	Carbon Resistor (chip)	0 63M J			01
R0101	RD350000	Carbon Resistor (chip)	0 63M J			01
R0106	RD350000	Carbon Resistor (chip)	0 63M J			01
R0107	RD354470	Carbon Resistor (chip)	47.0 63M J			01
R0108	RD354470	Carbon Resistor (chip)	47.0 63M J			01
R0109	RD357100	Carbon Resistor (chip)	10.0K 63M J			01
R0110	RD354470	Carbon Resistor (chip)	47.0 63M J			01
R0111	RD354470	Carbon Resistor (chip)	47.0 63M J			01
R0112	RD357100	Carbon Resistor (chip)	10.0K 63M J			01
R0115	RD357470	Carbon Resistor (chip)	47.0K 63M J			01
R0117	RD354470	Carbon Resistor (chip)	47.0 63M J			01
R0118	RD350000	Carbon Resistor (chip)	0 63M J			01
R0119	RD354680	Carbon Resistor (chip)	68.0 63M J			01
R0120	RD350000	Carbon Resistor (chip)	0 63M J			01
R0121	RD354680	Carbon Resistor (chip)	68.0 63M J			01
R0122	RD350000	Carbon Resistor (chip)	0 63M J			01
R0123	RD350000	Carbon Resistor (chip)	0 63M J			01
R0124	RD356330	Carbon Resistor (chip)	3.3K 63M J			01
R0125	RD350000	Carbon Resistor (chip)	0 63M J			01
R0126	RD350000	Carbon Resistor (chip)	0 63M J			01
R0200	RD350000	Carbon Resistor (chip)	0 63M J			01
-0208	RD350000	Carbon Resistor (chip)	0 63M J			01
R0209	RD354680	Carbon Resistor (chip)	68.0 63M J			01
-0211	RD354680	Carbon Resistor (chip)	68.0 63M J			01
*	WD052700	Circuit Board	MIC	(WD05260)(XV507D0)		
	--	Jumper Wire	0.55	(VD04170)		
J	RD250000	Carbon Resistor (chip)	0.0 0.0 J			01
C0100	UB013270	Monolithic Ceramic Cap.	B 2700P 50V K			01
C0101	UB445470	Monolithic Ceramic Cap.	F 0.470 16V Z			01
C0102	UB052100	Monolithic Ceramic Cap.	SL 100P 50V J			01
C0150	UB052220	Monolithic Ceramic Cap.	SL 220P 50V J			01
C0151	UB446100	Ceramic Capacitor-F (chip)	F 1.0 16V Z			01
C0152	UB052100	Monolithic Ceramic Cap.	SL 100P 50V J			01
C0200	UB446100	Ceramic Capacitor-F (chip)	F 1.0 16V Z			01
C0201	UB013100	Monolithic Ceramic Cap.	B 1000P 50V K			01
C0300	UB045100	Monolithic Ceramic Cap.	F 0.100 50V Z			01

*: New Parts

RANK: Japan only

REF NO.	PART NO.	DESCRIPTION		REMARKS	QTY	RANK
C0301	UR848100	Electrolytic Cap.	100.00 25.0V			01
C0302	UR848100	Electrolytic Cap.	100.00 25.0V			01
C0303	UB045100	Monolithic Ceramic Cap.	F 0.100 50V Z			01
C0304	UB045100	Monolithic Ceramic Cap.	F 0.100 50V Z			01
CN300	VB858400	Connector Base Post	PH 5P SE			01
CN301	VB858100	Connector Base Post	PH 2P SE			01
IC100	XF291A00	IC	UPC4570G2	OP AMP		03
JK200	LB101870	Phone Jack	YKB21-5006	MIC./LINE IN		03
L0200	VF456600	Coil	SBT-0180W 80uH			03
R0100	RD256100	Carbon Resistor (chip)	1.0K 0.1 J			01
R0101	RD257100	Carbon Resistor (chip)	10.0K 0.1 J			01
R0150	RD257270	Carbon Resistor (chip)	27.0K 0.1 J			01
R0151	RD256100	Carbon Resistor (chip)	1.0K 0.1 J			01
R0301	RD250000	Carbon Resistor (chip)	0.0 0.0 J			01
R0400	RD255470	Carbon Resistor (chip)	470.0 0.1 J			01
SW400	VZ050000	Slide Switch	SSSF122-S09N0	MIC./LINE		01
VR500	V3340000	Rotary Variable Resistor	A 10.0K RK0971230	INPUT VOLUME MIN/MAX		04
WB300	GE300670	Ferrite Bead	BL02RN2-R62T4	}		02
-304	GE300670	Ferrite Bead	BL02RN2-R62T4			02
WB300	V2635200	Ferrite Bead	RH03506BT-B			
-304	V2635200	Ferrite Bead	RH03506BT-B			
*	WB295500	Circuit Board	MK49L	(WB29700)(X4270C0)		
	--	Jumper Wire	0.55	(VA07890)		
CN001	VM973500	Connector, FFC	52045 17P TE			01
D0001	VB941200	Diode	1SS133,1SS176			01
-0050	VB941200	Diode	1SS133,1SS176			01
*	WB295200	Circuit Board	MKH-A	ELS-01C (X4269E0)		
	--	Circuit Board	EMKS-FA (E-BUS)	FSVX-U(on MKH-A)		
				(WB29710)(X4271E0)		
CN004	VM973500	Connector, FFC	52045 17P TE			01
D0001	VB941200	Diode	1SS133,1SS176			01
-0048	VB941200	Diode	1SS133,1SS176			01
	--	Circuit Board	EMKS-FA (E-BUS)	ELS-01C FSVX-U(on MKH-A)		
	--	Support, PCB	JIS R33 T=5	(WB29710)(X4271E0)		
				(WB72300)		
C0002	US135100	Ceramic Capacitor-F (chip)	0.1000 16V Z			01
C0003	US135100	Ceramic Capacitor-F (chip)	0.1000 16V Z			01
C0004	UF046470	Electrolytic Cap. (chip)	4.7 25V			01
C0005	US135100	Ceramic Capacitor-F (chip)	0.1000 16V Z			01
C0006	UF046470	Electrolytic Cap. (chip)	4.7 25V			01
-0008	UF046470	Electrolytic Cap. (chip)	4.7 25V			01
C0009	UF118470	Electrolytic Cap. (chip)	470 6.3V UUR0J4			01
C0010	UF046470	Electrolytic Cap. (chip)	4.7 25V			01
C0012	US135100	Ceramic Capacitor-F (chip)	0.1000 16V Z			01
-0014	US135100	Ceramic Capacitor-F (chip)	0.1000 16V Z			01
C0015	US062470	Ceramic Capacitor-SL(chip)	470P 50V J			01
C0016	US062470	Ceramic Capacitor-SL(chip)	470P 50V J			01
C0017	UF037100	Electrolytic Cap. (chip)	10 16V			01
C0018	US135100	Ceramic Capacitor-F (chip)	0.1000 16V Z			01
C0019	US135100	Ceramic Capacitor-F (chip)	0.1000 16V Z			01
C0020	UF037100	Electrolytic Cap. (chip)	10 16V			01
C0024	US135100	Ceramic Capacitor-F (chip)	0.1000 16V Z			01
C0025	UF017470	Electrolytic Cap. (chip)	47 6.3V			01
C0026	US135100	Ceramic Capacitor-F (chip)	0.1000 16V Z			01
C0028	RD350000	Carbon Resistor (chip)	0 63M J			01
C0029	UF017470	Electrolytic Cap. (chip)	47 6.3V			01
C0030	US135100	Ceramic Capacitor-F (chip)	0.1000 16V Z			01
C0031	UF018100	Electrolytic Cap. (chip)	100 6.3V			01
C0032	US135100	Ceramic Capacitor-F (chip)	0.1000 16V Z			01
C0033	US064100	Ceramic Capacitor-B (chip)	0.0100 50V K			01
C0034	US135100	Ceramic Capacitor-F (chip)	0.1000 16V Z			01
C0035	US062100	Ceramic Capacitor-SL(chip)	100P 50V J			01
-0045	US062100	Ceramic Capacitor-SL(chip)	100P 50V J			01
C0046	US061330	Ceramic Capacitor-CH(chip)	33P 50V J			01
C0047	US061330	Ceramic Capacitor-CH(chip)	33P 50V J			01
CN001	VT389000	Base Post Connector	PH 9P TE			01
CN004	VT388800	Base Post Connector	PH 7P TE			01

*: New Parts

RANK: Japan only

REF NO.	PART NO.	DESCRIPTION		REMARKS	QTY	RANK
* CN005	WB249800	Connector	20P PFA105-2002A04			
* CN006	WB700500	Connector	8P PFA105-0802A04			
D0001	VV925900	Diode	RLS-73 TE-11			01
-0006	VV925900	Diode	RLS-73 TE-11			01
D0009	VV925900	Diode	RLS-73 TE-11			01
IC001	XY549A00	IC	TC74HC4051AFEL	MULTIPLEXER		02
IC003	XU770A00	IC	PCM1800E/2K	ADC		07
* IC004	X5418A00	IC	M4A5-32/32-10VC48	CPLD		
* IC005	X4801100	IC	HD6433693A37H	FSVK		
L0001	V5848100	Chip Inductance	56U ELJFC560JF			01
L0002	V5848100	Chip Inductance	56U ELJFC560JF			01
L0003	VR579900	Chip Inductance	BK2125HS601-T			01
L0004	VR579900	Chip Inductance	BK2125HS601-T			01
R0001	RD356100	Carbon Resistor (chip)	1.0K 63M J			01
R0002	RD356150	Carbon Resistor (chip)	1.5K 63M J			01
-0004	RD356150	Carbon Resistor (chip)	1.5K 63M J			01
R0006	RD354680	Carbon Resistor (chip)	68.0 63M J			01
-0008	RD354680	Carbon Resistor (chip)	68.0 63M J			01
R0019	RD356100	Carbon Resistor (chip)	1.0K 63M J			01
R0020	RD354470	Carbon Resistor (chip)	47.0 63M J			01
R0021	RD354470	Carbon Resistor (chip)	47.0 63M J			01
R0022	RD357100	Carbon Resistor (chip)	10.0K 63M J			01
R0023	RD354680	Carbon Resistor (chip)	68.0 63M J			01
R0024	RD354680	Carbon Resistor (chip)	68.0 63M J			01
R0025	RD357100	Carbon Resistor (chip)	10.0K 63M J			01
R0026	RD357100	Carbon Resistor (chip)	10.0K 63M J			01
R0027	RD355470	Carbon Resistor (chip)	470.0 63M J			01
-0029	RD355470	Carbon Resistor (chip)	470.0 63M J			01
R0030	RD357330	Carbon Resistor (chip)	33.0K 63M J			01
-0041	RD357330	Carbon Resistor (chip)	33.0K 63M J			01
R0043	RD356100	Carbon Resistor (chip)	1.0K 63M J			01
R0044	RD356470	Carbon Resistor (chip)	4.7K 63M J			01
R0045	RD357100	Carbon Resistor (chip)	10.0K 63M J			01
R0046	RD354470	Carbon Resistor (chip)	47.0 63M J			01
R0047	RD354470	Carbon Resistor (chip)	47.0 63M J			01
X0001	V4584600	Ceramic Resonator	20.00MHz CSTCV20.00			01
* --	WB407700	Circuit Board	MKH-B	ELS-01C (X4269E0)		
--	--	Circuit Board	EMKS-FB (E-BUS)	FSVX-L(on MKH-B) (WB40710)(X4271E0)		
CN004	VM973500	Connector, FFC	52045 17P TE			01
D0001	VB941200	Diode	1SS133,1SS176			01
-0048	VB941200	Diode	1SS133,1SS176			01
--	--	Circuit Board	EMKS-FB (E-BUS)	ELS-01C FSVX-L(on MKH-B) (WB40710)(X4271E0) (WB72300)		
--	--	Support, PCB	JIS R33 T=5			
C0002	US135100	Ceramic Capacitor-F (chip)	0.1000 16V Z			01
C0003	US135100	Ceramic Capacitor-F (chip)	0.1000 16V Z			01
C0004	UF046470	Electrolytic Cap. (chip)	4.7 25V			01
C0005	US135100	Ceramic Capacitor-F (chip)	0.1000 16V Z			01
C0006	UF046470	Electrolytic Cap. (chip)	4.7 25V			01
-0008	UF046470	Electrolytic Cap. (chip)	4.7 25V			01
C0009	UF118470	Electrolytic Cap. (chip)	470 6.3V UUR0J4			01
C0010	UF046470	Electrolytic Cap. (chip)	4.7 25V			01
C0012	US135100	Ceramic Capacitor-F (chip)	0.1000 16V Z			01
-0014	US135100	Ceramic Capacitor-F (chip)	0.1000 16V Z			01
C0015	US062470	Ceramic Capacitor-SL(chip)	470P 50V J			01
C0016	US062470	Ceramic Capacitor-SL(chip)	470P 50V J			01
C0017	UF037100	Electrolytic Cap. (chip)	10 16V			01
C0018	US135100	Ceramic Capacitor-F (chip)	0.1000 16V Z			01
C0019	US135100	Ceramic Capacitor-F (chip)	0.1000 16V Z			01
C0020	UF037100	Electrolytic Cap. (chip)	10 16V			01
C0024	US135100	Ceramic Capacitor-F (chip)	0.1000 16V Z			01
C0025	UF017470	Electrolytic Cap. (chip)	47 6.3V			01
C0026	US135100	Ceramic Capacitor-F (chip)	0.1000 16V Z			01
C0028	RD350000	Carbon Resistor (chip)	0 63M J			01
C0029	UF017470	Electrolytic Cap. (chip)	47 6.3V			01
C0030	US135100	Ceramic Capacitor-F (chip)	0.1000 16V Z			01
C0031	UF018100	Electrolytic Cap. (chip)	100 6.3V			01

*: New Parts

RANK: Japan only

REF NO.	PART NO.	DESCRIPTION		REMARKS	QTY	RANK
C0032	US135100	Ceramic Capacitor-F (chip)	0.1000 16V Z			01
C0033	US064100	Ceramic Capacitor-B (chip)	0.0100 50V K			01
C0034	US135100	Ceramic Capacitor-F (chip)	0.1000 16V Z			01
C0035	US062100	Ceramic Capacitor-SL(chip)	100P 50V J			01
-0045	US062100	Ceramic Capacitor-SL(chip)	100P 50V J			01
C0046	US061330	Ceramic Capacitor-CH(chip)	33P 50V J			01
C0047	US061330	Ceramic Capacitor-CH(chip)	33P 50V J			01
CN001	VT389000	Base Post Connector	PH 9P TE			01
CN004	VT388800	Base Post Connector	PH 7P TE			01
* CN005	WB249800	Connector	20P PFA105-2002A04			
* CN006	WB700500	Connector	8P PFA105-0802A04			
D0001	VV925900	Diode	RLS-73 TE-11			01
-0006	VV925900	Diode	RLS-73 TE-11			01
IC001	XY549A00	IC	TC74HC4051AFEL	MULTIPLEXER		02
IC003	XU770A00	IC	PCM1800E/2K	ADC		07
* IC004	X5418A00	IC	M4A5-32/32-10VC48	CPLD		
* IC005	X4801100	IC	HD6433693A37H	FSVK		
L0001	V5848100	Chip Inductance	56U ELJFC560JF			01
L0002	V5848100	Chip Inductance	56U ELJFC560JF			01
L0003	VR579900	Chip Inductance	BK2125HS601-T			01
L0004	VR579900	Chip Inductance	BK2125HS601-T			01
R0001	RD356100	Carbon Resistor (chip)	1.0K 63M J			01
R0002	RD356150	Carbon Resistor (chip)	1.5K 63M J			01
-0004	RD356150	Carbon Resistor (chip)	1.5K 63M J			01
R0006	RD354680	Carbon Resistor (chip)	68.0 63M J			01
-0008	RD354680	Carbon Resistor (chip)	68.0 63M J			01
R0019	RD356100	Carbon Resistor (chip)	1.0K 63M J			01
R0020	RD354470	Carbon Resistor (chip)	47.0 63M J			01
R0021	RD354470	Carbon Resistor (chip)	47.0 63M J			01
R0022	RD357100	Carbon Resistor (chip)	10.0K 63M J			01
R0023	RD354680	Carbon Resistor (chip)	68.0 63M J			01
R0024	RD354680	Carbon Resistor (chip)	68.0 63M J			01
R0025	RD357100	Carbon Resistor (chip)	10.0K 63M J			01
R0026	RD357100	Carbon Resistor (chip)	10.0K 63M J			01
R0027	RD355470	Carbon Resistor (chip)	470.0 63M J			01
-0029	RD355470	Carbon Resistor (chip)	470.0 63M J			01
R0030	RD357330	Carbon Resistor (chip)	33.0K 63M J			01
-0041	RD357330	Carbon Resistor (chip)	33.0K 63M J			01
R0043	RD356100	Carbon Resistor (chip)	1.0K 63M J			01
R0044	RD356470	Carbon Resistor (chip)	4.7K 63M J			01
R0045	RD357100	Carbon Resistor (chip)	10.0K 63M J			01
R0046	RD354470	Carbon Resistor (chip)	47.0 63M J			01
R0047	RD354470	Carbon Resistor (chip)	47.0 63M J			01
X0001	V4584600	Ceramic Resonator	20.00MHz CSTCV20.00			01
* --	WB407800	Circuit Board	MKH-C	ELS-01 (X4269E0)		
--	--	Circuit Board	EMKS-FC (E-BUS)	FSX-U(on MKH-C) (WB40720)(X4271E0)		
CN002	VL018400	FFC Connector	5598 3P SE			01
CN004	VM973500	Connector, FFC	52045 17P TE			01
D0001	VB941200	Diode	1SS133,1SS176			01
-0048	VB941200	Diode	1SS133,1SS176			01
--	--	Circuit Board	EMKS-FC (E-BUS)	ELS-01 FSX-U(on MKH-C) (WB40720)(X4271E0) (WB72300)		
--	--	Support, PCB	JIS R33 T=5			
C0005	US135100	Ceramic Capacitor-F (chip)	0.1000 16V Z			01
C0009	UF118470	Electrolytic Cap. (chip)	470 6.3V UUR0J4			01
C0011	US135100	Ceramic Capacitor-F (chip)	0.1000 16V Z			01
C0021	UF017470	Electrolytic Cap. (chip)	47 6.3V			01
C0022	US135100	Ceramic Capacitor-F (chip)	0.1000 16V Z			01
C0023	US135100	Ceramic Capacitor-F (chip)	0.1000 16V Z			01
C0027	US135100	Ceramic Capacitor-F (chip)	0.1000 16V Z			01
C0028	US135100	Ceramic Capacitor-F (chip)	0.1000 16V Z			01
C0029	UF017470	Electrolytic Cap. (chip)	47 6.3V			01
C0030	US135100	Ceramic Capacitor-F (chip)	0.1000 16V Z			01
C0031	UF018100	Electrolytic Cap. (chip)	100 6.3V			01
C0032	US135100	Ceramic Capacitor-F (chip)	0.1000 16V Z			01
C0033	US064100	Ceramic Capacitor-B (chip)	0.0100 50V K			01
C0034	US135100	Ceramic Capacitor-F (chip)	0.1000 16V Z			01

*: New Parts

RANK: Japan only

REF NO.	PART NO.	DESCRIPTION	REMARKS	QTY	RANK
C0035	US062100	Ceramic Capacitor-SL(chip)	100P 50V J		01
-0045	US062100	Ceramic Capacitor-SL(chip)	100P 50V J		01
C0046	US061330	Ceramic Capacitor-CH(chip)	33P 50V J		01
C0047	US061330	Ceramic Capacitor-CH(chip)	33P 50V J		01
CN004	VT388800	Base Post Connector	PH 7P TE		
* CN005	WB249800	Connector	20P PFA105-2002A04		
* CN006	WB700500	Connector	8P PFA105-0802A04		
D0001	VV925900	Diode	RLS-73 TE-11		01
-0006	VV925900	Diode	RLS-73 TE-11		01
D0008	VV925900	Diode	RLS-73 TE-11		01
D0009	VV925900	Diode	RLS-73 TE-11		01
IC002	X2538A00	IC	NJM2100V	OP AMP	02
* IC005	X4801100	IC	HD6433693A37H	FSVK	
L0002	V5848100	Chip Inductance	56U ELJFC560JF		01
L0003	VR579900	Chip Inductance	BK2125HS601-T		01
L0004	VR579900	Chip Inductance	BK2125HS601-T		01
R0009	RD356100	Carbon Resistor (chip)	1.0K 63M J		01
R0010	RD356100	Carbon Resistor (chip)	1.0K 63M J		01
R0011	RD355150	Carbon Resistor (chip)	150.0 63M J		01
R0012	RD356680	Carbon Resistor (chip)	6.8K 63M J		01
R0013	RD355150	Carbon Resistor (chip)	150.0 63M J		01
R0014	RD356100	Carbon Resistor (chip)	1.0K 63M J		01
R0015	RD355150	Carbon Resistor (chip)	150.0 63M J		01
R0016	RD357220	Carbon Resistor (chip)	22.0K 63M J		01
R0017	RD357470	Carbon Resistor (chip)	47.0K 63M J		01
R0018	RD356100	Carbon Resistor (chip)	1.0K 63M J		01
R0019	RD356100	Carbon Resistor (chip)	1.0K 63M J		01
R0020	RD354470	Carbon Resistor (chip)	47.0 63M J		01
R0021	RD354470	Carbon Resistor (chip)	47.0 63M J		01
R0022	RD357100	Carbon Resistor (chip)	10.0K 63M J		01
R0023	RD357100	Carbon Resistor (chip)	10.0K 63M J		01
R0030	RD357330	Carbon Resistor (chip)	33.0K 63M J		01
-0041	RD357330	Carbon Resistor (chip)	33.0K 63M J		01
R0043	RD356100	Carbon Resistor (chip)	1.0K 63M J		01
R0046	RD354470	Carbon Resistor (chip)	47.0 63M J		01
R0047	RD354470	Carbon Resistor (chip)	47.0 63M J		01
VR001	VA788700	Trimmer Potentiometer	B 470.0K 3P RHE	GAIN adj.	01
* VR002	VA788600	Trimmer Potentiometer	B 330.0K 3P RHE	OFFSET adj.	
X0001	V4584600	Ceramic Resonator	20.00MHz CSTCV20.00		01
* --	WB407900	Circuit Board	MKH-D	ELS-01 (X4269E0)	
--		Circuit Board	EMKS-FD (E-BUS)	FSX-L(on MKH-D) (WB40730)(X4271E0)	
CN002	VL018400	FFC Connector	5598 3P SE		01
CN004	VM973500	Connector, FFC	52045 17P TE		01
D0001	VB941200	Diode	1SS133,1SS176		01
-0048	VB941200	Diode	1SS133,1SS176		01
--		Circuit Board	EMKS-FD (E-BUS)	ELS-01 FSX-L(on MKH-D) (WB40730)(X4271E0) (WB72300)	
--		Support, PCB	JIS R33 T=5		
C0005	US135100	Ceramic Capacitor-F (chip)	0.1000 16V Z		01
C0009	UF118470	Electrolytic Cap. (chip)	470 6.3V UUR0J4		01
C0011	US135100	Ceramic Capacitor-F (chip)	0.1000 16V Z		01
C0021	UF017470	Electrolytic Cap. (chip)	47 6.3V		01
C0022	US135100	Ceramic Capacitor-F (chip)	0.1000 16V Z		01
C0023	US135100	Ceramic Capacitor-F (chip)	0.1000 16V Z		01
C0027	US135100	Ceramic Capacitor-F (chip)	0.1000 16V Z		01
C0028	US135100	Ceramic Capacitor-F (chip)	0.1000 16V Z		01
C0029	UF017470	Electrolytic Cap. (chip)	47 6.3V		01
C0030	US135100	Ceramic Capacitor-F (chip)	0.1000 16V Z		01
C0031	UF018100	Electrolytic Cap. (chip)	100 6.3V		01
C0032	US135100	Ceramic Capacitor-F (chip)	0.1000 16V Z		01
C0033	US064100	Ceramic Capacitor-B (chip)	0.0100 50V K		01
C0034	US135100	Ceramic Capacitor-F (chip)	0.1000 16V Z		01
C0035	US062100	Ceramic Capacitor-SL(chip)	100P 50V J		01
-0045	US062100	Ceramic Capacitor-SL(chip)	100P 50V J		01
C0046	US061330	Ceramic Capacitor-CH(chip)	33P 50V J		01
C0047	US061330	Ceramic Capacitor-CH(chip)	33P 50V J		01
CN004	VT388800	Base Post Connector	PH 7P TE		

*: New Parts

RANK: Japan only

REF NO.	PART NO.	DESCRIPTION	REMARKS	QTY	RANK
* CN005	WB249800	Connector	20P PFA105-2002A04		
* CN006	WB700500	Connector	8P PFA105-0802A04		
D0001	VV925900	Diode	RLS-73 TE-11		01
-0006	VV925900	Diode	RLS-73 TE-11		01
D0008	VV925900	Diode	RLS-73 TE-11		01
IC002	X2538A00	IC	NJM2100V	OP AMP	02
* IC005	X4801100	IC	HD6433693A37H	FSVK	
L0002	V5848100	Chip Inductance	56U ELJFC560JF		01
L0003	VR579900	Chip Inductance	BK2125HS601-T		01
L0004	VR579900	Chip Inductance	BK2125HS601-T		01
R0009	RD356100	Carbon Resistor (chip)	1.0K 63M J		01
R0010	RD356100	Carbon Resistor (chip)	1.0K 63M J		01
R0011	RD355150	Carbon Resistor (chip)	150.0 63M J		01
R0012	RD356680	Carbon Resistor (chip)	6.8K 63M J		01
R0013	RD355150	Carbon Resistor (chip)	150.0 63M J		01
R0014	RD356100	Carbon Resistor (chip)	1.0K 63M J		01
R0015	RD355150	Carbon Resistor (chip)	150.0 63M J		01
R0016	RD357220	Carbon Resistor (chip)	22.0K 63M J		01
R0017	RD357470	Carbon Resistor (chip)	47.0K 63M J		01
R0018	RD356100	Carbon Resistor (chip)	1.0K 63M J		01
R0019	RD356100	Carbon Resistor (chip)	1.0K 63M J		01
R0020	RD354470	Carbon Resistor (chip)	47.0 63M J		01
R0021	RD354470	Carbon Resistor (chip)	47.0 63M J		01
R0022	RD357100	Carbon Resistor (chip)	10.0K 63M J		01
R0025	RD357100	Carbon Resistor (chip)	10.0K 63M J		01
R0030	RD357330	Carbon Resistor (chip)	33.0K 63M J		01
-0041	RD357330	Carbon Resistor (chip)	33.0K 63M J		01
R0043	RD356100	Carbon Resistor (chip)	1.0K 63M J		01
R0046	RD354470	Carbon Resistor (chip)	47.0 63M J		01
R0047	RD354470	Carbon Resistor (chip)	47.0 63M J		01
VR001	VA788700	Trimmer Potentiometer	B 470.0K 3P RHE	GAIN adj.	01
* VR002	VA788600	Trimmer Potentiometer	B 330.0K 3P RHE	OFFSET adj.	
X0001	V4584600	Ceramic Resonator	20.00MHz CSTCV20.00		01
* --	WB744400	Circuit Board	MSP	(WB74430)(X4412B0)	
--	--	Silicon Grease	X-113A G746	(VA79810)	
C0001	EP600190	Bind Head Tapping Screw-B	3.0X8 MFZN2BL		4 01
C0002	UR839100	Electrolytic Cap.	1000 16.0V		01
C0003	UR839100	Electrolytic Cap.	1000 16.0V		01
C0003	US145100	Ceramic Capacitor-F (chip)	0.1000 25V Z		01
-0005	US145100	Ceramic Capacitor-F (chip)	0.1000 25V Z		01
C0006	UR847470	Electrolytic Cap.	47.00 25.0V		01
C0007	US063100	Ceramic Capacitor-B (chip)	1000P 50V K		01
C0008	US063100	Ceramic Capacitor-B (chip)	1000P 50V K		01
C0009	US145100	Ceramic Capacitor-F (chip)	0.1000 25V Z		01
-0011	US145100	Ceramic Capacitor-F (chip)	0.1000 25V Z		01
C0012	UN866100	Electrolytic Cap.-BP	1.00 50.0V		01
C0013	UN866100	Electrolytic Cap.-BP	1.00 50.0V		01
C0014	UR847470	Electrolytic Cap.	47.00 25.0V		01
C0015	US062100	Ceramic Capacitor-SL(chip)	100P 50V J		01
C0016	V6490000	Monolithic Ceramic Cap.	1.000 25V Z		01
C0017	US062100	Ceramic Capacitor-SL(chip)	100P 50V J		01
C0024	V6490000	Monolithic Ceramic Cap.	1.000 25V Z		01
C0031	UR847470	Electrolytic Cap.	47.00 25.0V		01
C0032	UR837100	Electrolytic Cap.	10.00 16.0V		01
C0033	UA355100	Mylar Capacitor	0.1000 50V J		01
C0034	US062470	Ceramic Capacitor-SL(chip)	470P 50V J		01
C0035	US062470	Ceramic Capacitor-SL(chip)	470P 50V J		01
C0036	UA355100	Mylar Capacitor	0.1000 50V J		01
C0037	US064100	Ceramic Capacitor-B (chip)	0.0100 50V K		01
C0038	UR839100	Electrolytic Cap.	1000 16.0V		01
C0039	UN866100	Electrolytic Cap.-BP	1.00 50.0V		01
C0040	UN866100	Electrolytic Cap.-BP	1.00 50.0V		01
C0041	UA355100	Mylar Capacitor	0.1000 50V J		01
C0042	UA355100	Mylar Capacitor	0.1000 50V J		01
C0043	UN867100	Electrolytic Cap.-BP	10.00 50.0V		01
C0044	UN867100	Electrolytic Cap.-BP	10.00 50.0V		01
C0045	US145100	Ceramic Capacitor-F (chip)	0.1000 25V Z		01
C0046	US145100	Ceramic Capacitor-F (chip)	0.1000 25V Z		01
CN001	VB390100	Connector Base Post	PH 5P TE		01

*: New Parts

RANK: Japan only

REF NO.	PART NO.	DESCRIPTION		REMARKS	QTY	RANK
CN002	VB390600	Connector Base Post	PH 10P TE			01
CN003	LB932030	Base Post Connector	VH 3P TE			01
CN004	LB918040	Base Post Connector	XH 4P TE			01
D0001	VT332900	Diode	1SS355 TE-17			01
IC001	XE518A00	IC	UPC4574G2	OP AMP		03
IC002	XE518A00	IC	UPC4574G2	OP AMP		03
IC003	XF291A00	IC	UPC4570G2	OP AMP		03
* IC006	X4377A00	IC	LA4636	POWER AMP 10W 2CH		
K0001	V0014200	Heat Sink				04
R0001	RD356100	Carbon Resistor (chip)	1.0K 63M J			01
R0002	RD356100	Carbon Resistor (chip)	1.0K 63M J			01
R0003	RD357330	Carbon Resistor (chip)	33.0K 63M J			01
R0004	RD357330	Carbon Resistor (chip)	33.0K 63M J			01
R0005	RD357470	Carbon Resistor (chip)	47.0K 63M J			01
R0006	RD357470	Carbon Resistor (chip)	47.0K 63M J			01
R0007	RD356330	Carbon Resistor (chip)	3.3K 63M J			01
R0008	RD356330	Carbon Resistor (chip)	3.3K 63M J			01
R0009	RD357470	Carbon Resistor (chip)	47.0K 63M J			01
R0010	RD357470	Carbon Resistor (chip)	47.0K 63M J			01
R0017	RD350000	Carbon Resistor (chip)	0 63M J			01
R0018	RD356150	Carbon Resistor (chip)	1.5K 63M J			01
R0025	RD350000	Carbon Resistor (chip)	0 63M J			01
R0026	RD356150	Carbon Resistor (chip)	1.5K 63M J			01
R0027	RD357220	Carbon Resistor (chip)	22.0K 63M J			01
R0028	RD357820	Carbon Resistor (chip)	82.0K 63M J			01
R0029	RD357390	Carbon Resistor (chip)	39.0K 63M J			01
R0030	RD357470	Carbon Resistor (chip)	47.0K 63M J			01
R0031	RD357470	Carbon Resistor (chip)	47.0K 63M J			01
R0032	RD355560	Carbon Resistor (chip)	560.0 63M J			01
R0033	RD357470	Carbon Resistor (chip)	47.0K 63M J			01
R0034	RD355560	Carbon Resistor (chip)	560.0 63M J			01
R0035	RD357470	Carbon Resistor (chip)	47.0K 63M J			01
R0036	RD357470	Carbon Resistor (chip)	47.0K 63M J			01
R0037	RD355560	Carbon Resistor (chip)	560.0 63M J			01
R0038	RD355560	Carbon Resistor (chip)	560.0 63M J			01
R0039	RD357470	Carbon Resistor (chip)	47.0K 63M J			01
R0040	RD355560	Carbon Resistor (chip)	560.0 63M J			01
R0041	RD355560	Carbon Resistor (chip)	560.0 63M J			01
R0042	RD357470	Carbon Resistor (chip)	47.0K 63M J			01
R0043	RD357470	Carbon Resistor (chip)	47.0K 63M J			01
R0044	HF453220	Carbon Resistor	2.2 1/4 J			01
R0045	RD350000	Carbon Resistor (chip)	0 63M J			01
R0046	RD350000	Carbon Resistor (chip)	0 63M J			01
R0047	HF453220	Carbon Resistor	2.2 1/4 J			01
R0048	HF453220	Carbon Resistor	2.2 1/4 J			01
R0049	RD357100	Carbon Resistor (chip)	10.0K 63M J			01
R0050	RD357100	Carbon Resistor (chip)	10.0K 63M J			01
R0051	HF453220	Carbon Resistor	2.2 1/4 J			01
R0052	RD357470	Carbon Resistor (chip)	47.0K 63M J			01
R0053	RD357100	Carbon Resistor (chip)	10.0K 63M J			01
R0054	RD357470	Carbon Resistor (chip)	47.0K 63M J			01
* RY001	WB476400	Relay	DC G5PA-28 12V			
TR001	VV556400	Transistor	2SC2412K Q,R,S			01
-004	VV556400	Transistor	2SC2412K Q,R,S			01
* --	WB752300	Circuit Board	NW-L	ELS-01 (X4414A0)		
* --	WB743800	Circuit Board	NW-L	ELS-01C (X4414A0)		
* --	--	Jumper Wire	0.55	(VD04170)		
C0003	UR837100	Electrolytic Cap.	10.00 16.0V	ELS-01C		01
C0006	V5928000	Electrolytic Cap.-BP	1.00 63.0V			01
C0007	V5928000	Electrolytic Cap.-BP	1.00 63.0V	ELS-01C		01
C0009	UR837100	Electrolytic Cap.	10.00 16.0V	ELS-01C		01
CN009	LB932050	Base Post Connector	VH 5P TE			01
CN011	LB932080	Base Post Connector	VH 8P TE			01
* D0002	WB520600	Diode	10EDB40-TA2B5	ELS-01C		
* L0002	WB753100	Network Coil	0.52mm BB-I33P-1B	ELS-01C		
* L0004	WB753100	Network Coil	0.52mm BB-I33P-1B	ELS-01C		
R0004	HF757100	Carbon Resistor	10.0K 1/4 J	ELS-01C		01
* RY002	WB476400	Relay	DC G5PA-28 12V	ELS-01C		
TR002	IC1815M0	Transistor	2SC1815 Y,GR	ELS-01C		01

*: New Parts

RANK: Japan only

REF NO.	PART NO.	DESCRIPTION		REMARKS	QTY	RANK
*	WB752400	Circuit Board	NW-R	ELS-01 (X4414A0)		
*	WB743900	Circuit Board	NW-R	ELS-01C (X4414A0)		
	--	Jumper Wire	0.55	(VD04170)		
C0003	UR837100	Electrolytic Cap.	10.00 16.0V	ELS-01C		01
C0006	V5928000	Electrolytic Cap.-BP	1.00 63.0V			01
C0007	V5928000	Electrolytic Cap.-BP	1.00 63.0V	ELS-01C		01
C0009	UR837100	Electrolytic Cap.	10.00 16.0V	ELS-01C		01
CN009	LB932060	Base Post Connector	VH 6P TE			01
CN011	LB932080	Base Post Connector	VH 8P TE			01
* D0002	WB520600	Diode	10EDB40-TA2B5	ELS-01C		
* L0002	WB753100	Network Coil	0.52mm BB-I33P-1B	ELS-01C		
* L0004	WB753100	Network Coil	0.52mm BB-I33P-1B	ELS-01C		
R0004	HF757100	Carbon Resistor	10.0K 1/4 J	ELS-01C		01
* RY002	WB476400	Relay	DC G5PA-28 12V	ELS-01C		
TR002	IC1815M0	Transistor	2SC1815 Y,GR	ELS-01C		01
*	WB902300	Circuit Board	PKH-EBUS	ELS-01 (X4300C0)		
*	WB318200	Circuit Board	PKH-EBUS AF	ELS-01C (X4300C0)		
	--	Jumper Wire	0.55	(VA07890)		
20	VQ117100	Adhesive Tape	12X35			03
0010	--	Earth Wire	80mm	(WC30210)		
C0001	FG644100	Ceramic Capacitor-F	0.0100 50V Z			01
C0002	VF611200	Monolithic Ceramic Cap.	0.100 50V Z	ELS-01C		02
C0003	VF611200	Monolithic Ceramic Cap.	0.100 50V Z	ELS-01C		02
C0004	FG612220	Ceramic Capacitor-B	220P 50V K			01
C0005	VF611200	Monolithic Ceramic Cap.	0.100 50V Z	ELS-01C		02
C0006	VF611200	Monolithic Ceramic Cap.	0.100 50V Z	ELS-01C		02
C0007	--	Jumper Wire	0.55	ELS-01 (VA07890)		
C0007	VF611200	Monolithic Ceramic Cap.	0.100 50V Z	ELS-01C		02
C0008	--	Jumper Wire	0.55	ELS-01 (VA07890)		
C0008	VF611200	Monolithic Ceramic Cap.	0.100 50V Z	ELS-01C		02
C0009	VF611200	Monolithic Ceramic Cap.	0.100 50V Z	ELS-01C		02
C0010	VF611200	Monolithic Ceramic Cap.	0.100 50V Z	ELS-01C		02
C0011	VF611200	Monolithic Ceramic Cap.	0.100 50V Z	ELS-01C		02
CN001	VB390200	Connector Base Post	PH 6P TE			01
CN002	VB390000	Connector Base Post	PH 4P TE			01
CN003	LB918030	Base Post Connector	XH 3P TE	ELS-01C		01
CN004	LB918040	Base Post Connector	XH 4P TE	ELS-01C		01
CN005	VB390400	Connector Base Post	PH 8P TE			01
CN006	VF283300	Connector Base Post	PH 15P TE			01
D0001	VB941200	Diode	1SS133,1SS176			01
-0016	VB941200	Diode	1SS133,1SS176			01
IC001	XZ435A00	IC	NJM2100D	ELS-01C OP AMP		02
IC002	XZ435A00	IC	NJM2100D	ELS-01C OP AMP		02
IC003	XZ435A00	IC	NJM2100D	OP AMP		02
R0001	VC328800	Metal Film Resistor	10.0K 1/4 F			01
R0002	VC328800	Metal Film Resistor	10.0K 1/4 F			01
R0003	HF756560	Carbon Resistor	5.6K 1/4 J	ELS-01C		01
R0004	HF756560	Carbon Resistor	5.6K 1/4 J	ELS-01C		01
R0005	HF756100	Carbon Resistor	1.0K 1/4 J			01
R0006	HF755150	Carbon Resistor	150.0 1/4 J	ELS-01C		01
R0007	HF755150	Carbon Resistor	150.0 1/4 J	ELS-01C		01
R0008	HF755100	Carbon Resistor	100.0 1/4 J			01
R0009	HF758100	Carbon Resistor	100.0K 1/4 J			01
R0010	HF756100	Carbon Resistor	1.0K 1/4 J	ELS-01C		01
R0011	HF756100	Carbon Resistor	1.0K 1/4 J	ELS-01C		01
R0012	HF757560	Carbon Resistor	56.0K 1/4 J			01
R0013	HF757220	Carbon Resistor	22.0K 1/4 J	ELS-01C		01
R0014	HF757220	Carbon Resistor	22.0K 1/4 J	ELS-01C		01
R0015	HF757470	Carbon Resistor	47.0K 1/4 J	ELS-01C		01
R0016	HF757470	Carbon Resistor	47.0K 1/4 J	ELS-01C		01
R0017	HF755100	Carbon Resistor	100.0 1/4 J			01
R0018	HF756100	Carbon Resistor	1.0K 1/4 J	ELS-01C		01
R0019	HF756100	Carbon Resistor	1.0K 1/4 J	ELS-01C		01
R0020	HF757560	Carbon Resistor	56.0K 1/4 J			01
* VR001	VA788600	Trimmer Potentiometer	B 330.0K 3P RHE	ELS-01C OFFSET adj.		
* VR002	VA788600	Trimmer Potentiometer	B 330.0K 3P RHE	ELS-01C OFFSET adj.		
VR003	VA788700	Trimmer Potentiometer	B 470.0K 3P RHE	ELS-01C GAIN adj.		01
VR004	VA788700	Trimmer Potentiometer	B 470.0K 3P RHE	ELS-01C GAIN adj.		01

*: New Parts

RANK: Japan only

REF NO.	PART NO.	DESCRIPTION		REMARKS	QTY	RANK
*	WC079700	Circuit Board	PKL-EBUS	ELS-01 (X4299C0)		
*	WB318100	Circuit Board	PKL-EBUS AF	ELS-01C (X4299C0)		
	--	Jumper Wire	0.55	(VA07890)		
20	VQ117100	Adhesive Tape	12X35			03
0010	--	Earth Wire	80mm	(WC30210)		
C0001	VF611200	Monolithic Ceramic Cap.	0.100 50V Z			02
* C0002	UM518100	Electrolytic Cap.	100.00 6.3V			01
C0003	FG644100	Ceramic Capacitor-F	0.0100 50V Z			01
C0004	VF611200	Monolithic Ceramic Cap.	0.100 50V Z			02
C0005	UM517470	Electrolytic Cap.	47.00 6.3V			01
C0006	VF611200	Monolithic Ceramic Cap.	0.100 50V Z			02
C0007	UM517470	Electrolytic Cap.	47.00 6.3V			01
C0008	FG652100	Ceramic Capacitor-SL	100P 50V J			01
-0012	FG652100	Ceramic Capacitor-SL	100P 50V J			01
C0013	VF611200	Monolithic Ceramic Cap.	0.100 50V Z			02
* C0014	UM518100	Electrolytic Cap.	100.00 6.3V			01
C0015	FG651220	Ceramic Capacitor-SL	22P 50V J			01
C0016	FG651220	Ceramic Capacitor-SL	22P 50V J			01
CN001	VB390300	Connector Base Post	PH 7P TE			01
CN002	VF283300	Connector Base Post	PH 15P TE			01
CN003	VB390400	Connector Base Post	PH 8P TE			01
D0001	VB941200	Diode	1SS133,1SS176			01
-0032	VB941200	Diode	1SS133,1SS176			01
EM001	VD542700	LC Filter	DSS6NF31C223Q93A			01
* IC001	X4800200	IC	UPD780031AYGK-N07	LKS		
J0002	--	Jumper Wire	0.55	(VA07890)		
J0004	--	Jumper Wire	0.55	ELS-01 (VA07890)		
L0001	VB835000	Coil	FL5R200QNT 20uH			01
L0002	VB835000	Coil	FL5R200QNT 20uH			01
R0001	HF756100	Carbon Resistor	1.0K 1/4 J			01
R0002	HF754470	Carbon Resistor	47.0 1/4 J			01
R0003	HF754470	Carbon Resistor	47.0 1/4 J			01
R0004	HF754220	Carbon Resistor	22.0 1/4 J			01
R0005	HF755680	Carbon Resistor	680.0 1/4 J			01
R0006	HF757100	Carbon Resistor	10.0K 1/4 J			01
R0007	HF754470	Carbon Resistor	47.0 1/4 J			01
R0008	HF754470	Carbon Resistor	47.0 1/4 J			01
R0009	--	Jumper Wire	0.55	(VA07890)		
-0012	--	Jumper Wire	0.55	(VA07890)		
RA001	V8090800	Resistor Array	RGLE12X103J			01
X0001	V6091100	Ceramic Resonator	8.38MHz EFOMC8384T4			01
* C0001	WB704100	Circuit Board	SM	(WB70390)(X4511C0)		
CN001	US135100	Ceramic Capacitor-F (chip)	0.1000 16V Z			01
CN002	V9028300	Connector, FFC/FPC	52808 24P TE			02
* CN002	WB678600	Connector	CN015R-2313-0	3.3V CARD		
R0001	RD356100	Carbon Resistor (chip)	1.0K 63M J			01
RA001	RE044470	Resistor Array	47X4			01
-004	RE044470	Resistor Array	47X4			01
* C0002	WB743600	Circuit Board	PRM (DM)	(X4415B0)		
⚠ C0002	VY675000	Capacitor	0.010 250V J.U.C.S			01
⚠ C0003	VY675100	Capacitor	4700P 250V J.U.C.S			01
⚠ C0004	VY675100	Capacitor	4700P 250V J.U.C.S			01
CN001	LB932050	Base Post Connector	VH 5P TE			01
CN002	VT807100	Base Post Connector	VH B2P4 2P TE			01
CN004	LB932060	Base Post Connector	VH 6P TE			01
CN007	VG879900	Base Post Connector	VA 2P TE			01
F0701	LB201530	Fuse Holder	PC-FH1			01
⚠ FU1	VT943300	Fuse	TH 6.30A S 250V			01
JA	--	Jumper Wire	0.55	(VA07890)		
JC	--	Jumper Wire	0.55	(VA07890)		
⚠ LF001	VJ898200	Coil	SN10-500J			04
⚠ LF002	VJ898200	Coil	SN10-500J			04
⚠ LF003	VJ898300	Coil	SC-05-10J			06
⚠ LF003	V6626900	Common Mode Coil	TF2528S-152Y5R0-K1			05
* C0001	WB743700	Circuit Board	PRM (SP AMP)	J (X4415B0)		
* C0001	WB886900	Circuit Board	PRM (SP AMP)	Q,K (X4415B0)		

*: New Parts

RANK: Japan only

REF NO.	PART NO.	DESCRIPTION		REMARKS	QTY	RANK
* C0002	WB887100	Circuit Board	PRM (SP AMP)	V (X4415B0)		01
△ C0003	VY675000	Capacitor	0.010 250V J.U.C.S			01
△ C0004	VY675100	Capacitor	4700P 250V J.U.C.S			01
△ CN001	LB932050	Base Post Connector	VH 5P TE			01
CN002	VT807100	Base Post Connector	VH B2P4 2P TE			01
CN003	LB932060	Base Post Connector	VH 6P TE	Q,V,K		01
CN004	LB932060	Base Post Connector	VH 6P TE			01
CN005	LB932060	Base Post Connector	VH 6P TE	Q,V,K		01
CN006	VZ365900	Base Post Connector Black	VA 2P TE			01
F0701	LB201530	Fuse Holder	PC-FH1			01
△ FU1	VT943200	Fuse	TH 5.00A S 250V			01
JA	--	Jumper Wire	0.55	(VA07890)		
JB	--	Jumper Wire	0.55	(VA07890)		
△ LF001	VJ898200	Coil	SN10-500J	Q,V,K		04
△ LF002	VJ898200	Coil	SN10-500J			04
△ LF003	VJ898300	Coil	SC-05-10J			06
△ LF003	V6626900	Common Mode Coil	TF2528S-152Y5R0-K1	}		05
*	WC300000	Circuit Board	PS1	(WB44630)(X4399D0)		
*	WC300100	Circuit Board	PS2	(WB44630)(X4399D0)		
	--	Jumper Wire	0.55	(VA07890)		
CN1	VB858800	Connector Base Post	PH 9P SE			01
CN2	VB390600	Connector Base Post	PH 10P TE			01
CN3	VB858800	Connector Base Post	PH 9P SE			01
CN4	VB390700	Connector Base Post	PH 11P TE			01
D1	VB941200	Diode	1SS133,1SS176			01
-18	VB941200	Diode	1SS133,1SS176			01
R1	VT951500	Carbon Resistor	220.0 1/2 J			01
-17	VT951500	Carbon Resistor	220.0 1/2 J			01
SWD	VT578600	Push Switch with Lamp	D.	D.		04
SW1	VT576800	Push Switch with Lamp	1	1		04
SW2	VT576900	Push Switch with Lamp	2	2		04
SW3	VT577000	Push Switch with Lamp	3	3		04
SW4	VT577100	Push Switch with Lamp	4	4		04
SW5	VT577200	Push Switch with Lamp	5	5		04
SW6	VT577300	Push Switch with Lamp	6	6		04
SW7	VT577400	Push Switch with Lamp	7	7		04
SW8	VT577500	Push Switch with Lamp	8	8		04
SW9	VT577600	Push Switch with Lamp	9	9		04
* SWM.	WC272300	Push Switch	M.	M.		
SW10	VT577700	Push Switch with Lamp	10	10		04
SW11	VT577800	Push Switch with Lamp	11	11		04
SW12	VT577900	Push Switch with Lamp	12	12		04
SW13	VT578000	Push Switch with Lamp	13	13		04
SW14	VT578100	Push Switch with Lamp	14	14		04
SW15	VT578200	Push Switch with Lamp	15	15		04
SW16	VT578300	Push Switch with Lamp	16	16		04
*	WB871900	Circuit Board	TA	(WC22970)(X4438D0)		
C0001	US145100	Ceramic Capacitor-F (chip)	0.1000 25V Z			01
-0004	US145100	Ceramic Capacitor-F (chip)	0.1000 25V Z			01
CN001	VV878100	Connector Base Post	DF13-14P-1.25DSA			04
CN002	VV878100	Connector Base Post	DF13-14P-1.25DSA			04
* CN003	WB789100	Connector Base Post	DF13 7P TE			
* CN004	WB789100	Connector Base Post	DF13 7P TE			
CN005	LB918040	Base Post Connector	XH 4P TE			01
CN006	LB918040	Base Post Connector	XH 4P TE			01
CN007	VB390300	Connector Base Post	PH 7P TE			01
-010	VB390300	Connector Base Post	PH 7P TE			01
CN011	VZ479500	Connector, FFC	52806 24P TE			01
CN012	VZ479500	Connector, FFC	52806 24P TE			01
CN013	VB389900	Connector Base Post	PH 3P TE			01
CN014	LB932050	Base Post Connector	VH 5P TE			01
CN015	VB390000	Connector Base Post	PH 4P TE			01
CN016	LB918060	Base Post Connector	XH 6P TE			01
CN017	LB918050	Base Post Connector	XH 5P TE			01
CN018	VB390000	Connector Base Post	PH 4P TE			01
CN019	VB390400	Connector Base Post	PH 8P TE			01
CN020	VB390400	Connector Base Post	PH 8P TE			01

*: New Parts

RANK: Japan only

REF NO.	PART NO.	DESCRIPTION		REMARKS	QTY	RANK
CN021	VB390100	Connector Base Post	PH 5P TE			01
CN022	VB390100	Connector Base Post	PH 5P TE			01
CN023	VB390200	Connector Base Post	PH 6P TE			01
CN024	VB390200	Connector Base Post	PH 6P TE			01
CN025	VB390300	Connector Base Post	PH 7P TE			01
* IC001	X5367A00	IC	LTC1694-1CS5	SMBus ACCELERATOR		
* -004	X5367A00	IC	LTC1694-1CS5	SMBus ACCELERATOR		
R0001	RD354470	Carbon Resistor (chip)	47.0 63M J			01
R0002	RD354470	Carbon Resistor (chip)	47.0 63M J			01
*	WB822500	Circuit Board	TG1-E1	(X4411C0)		
	V8868000	Spacer	AR-312		2	01
	EG330040	Bind Head Screw	3.0X6 MFZN2Y		2	01
C0001	US064100	Ceramic Capacitor-B (chip)	0.0100 50V K			01
C0002	US062470	Ceramic Capacitor-SL(chip)	470P 50V J			01
C0003	US064100	Ceramic Capacitor-B (chip)	0.0100 50V K			01
C0004	US062470	Ceramic Capacitor-SL(chip)	470P 50V J			01
C0005	US064100	Ceramic Capacitor-B (chip)	0.0100 50V K			01
C0006	US062470	Ceramic Capacitor-SL(chip)	470P 50V J			01
C0007	US064100	Ceramic Capacitor-B (chip)	0.0100 50V K			01
C0008	US062470	Ceramic Capacitor-SL(chip)	470P 50V J			01
C0009	US064100	Ceramic Capacitor-B (chip)	0.0100 50V K			01
C0010	US062470	Ceramic Capacitor-SL(chip)	470P 50V J			01
C0011	US064100	Ceramic Capacitor-B (chip)	0.0100 50V K			01
C0012	US062470	Ceramic Capacitor-SL(chip)	470P 50V J			01
C0013	US064100	Ceramic Capacitor-B (chip)	0.0100 50V K			01
C0014	US062470	Ceramic Capacitor-SL(chip)	470P 50V J			01
C0015	US064100	Ceramic Capacitor-B (chip)	0.0100 50V K			01
C0016	US062470	Ceramic Capacitor-SL(chip)	470P 50V J			01
C0017	US064100	Ceramic Capacitor-B (chip)	0.0100 50V K			01
C0018	US062470	Ceramic Capacitor-SL(chip)	470P 50V J			01
C0019	US064100	Ceramic Capacitor-B (chip)	0.0100 50V K			01
C0020	US062470	Ceramic Capacitor-SL(chip)	470P 50V J			01
C0021	US064100	Ceramic Capacitor-B (chip)	0.0100 50V K			01
C0022	US062470	Ceramic Capacitor-SL(chip)	470P 50V J			01
C0023	US064100	Ceramic Capacitor-B (chip)	0.0100 50V K			01
C0024	US062470	Ceramic Capacitor-SL(chip)	470P 50V J			01
C0025	US064100	Ceramic Capacitor-B (chip)	0.0100 50V K			01
C0026	US062470	Ceramic Capacitor-SL(chip)	470P 50V J			01
C0027	US064100	Ceramic Capacitor-B (chip)	0.0100 50V K			01
C0028	US062470	Ceramic Capacitor-SL(chip)	470P 50V J			01
C0029	UF018100	Electrolytic Cap. (chip)	100 6.3V			01
C0030	UF018100	Electrolytic Cap. (chip)	100 6.3V			01
C0031	UF037100	Electrolytic Cap. (chip)	10 16V			01
C0032	UF037100	Electrolytic Cap. (chip)	10 16V			01
C0033	US135100	Ceramic Capacitor-F (chip)	0.1000 16V Z			01
C0034	US135100	Ceramic Capacitor-F (chip)	0.1000 16V Z			01
C0037	UF118220	Electrolytic Cap. (chip)	220 6.3V UUR0J2			01
C0038	US135100	Ceramic Capacitor-F (chip)	0.1000 16V Z			01
C0039	US064100	Ceramic Capacitor-B (chip)	0.0100 50V K			01
C0040	US135100	Ceramic Capacitor-F (chip)	0.1000 16V Z			01
C0041	US135100	Ceramic Capacitor-F (chip)	0.1000 16V Z			01
* C0042	V9452100	Electrolytic Cap. (chip)	100.00 6.3V			
* C0043	V9454200	Electrolytic Cap. (chip)	220.00 6.3V			
C0044	US064100	Ceramic Capacitor-B (chip)	0.0100 50V K			01
C0045	US062470	Ceramic Capacitor-SL(chip)	470P 50V J			01
C0046	US064100	Ceramic Capacitor-B (chip)	0.0100 50V K			01
C0047	US062470	Ceramic Capacitor-SL(chip)	470P 50V J			01
C0048	US064100	Ceramic Capacitor-B (chip)	0.0100 50V K			01
C0049	US062470	Ceramic Capacitor-SL(chip)	470P 50V J			01
C0050	US064100	Ceramic Capacitor-B (chip)	0.0100 50V K			01
C0051	US062470	Ceramic Capacitor-SL(chip)	470P 50V J			01
C0052	UF037100	Electrolytic Cap. (chip)	10 16V			01
C0053	UF037100	Electrolytic Cap. (chip)	10 16V			01
C0054	US064100	Ceramic Capacitor-B (chip)	0.0100 50V K			01
C0055	US062470	Ceramic Capacitor-SL(chip)	470P 50V J			01
C0056	US064100	Ceramic Capacitor-B (chip)	0.0100 50V K			01
C0057	US064100	Ceramic Capacitor-B (chip)	0.0100 50V K			01
C0058	US062470	Ceramic Capacitor-SL(chip)	470P 50V J			01
C0059	US064100	Ceramic Capacitor-B (chip)	0.0100 50V K			01

*: New Parts

RANK: Japan only

REF NO.	PART NO.	DESCRIPTION	REMARKS	QTY	RANK
C0060	US062470	Ceramic Capacitor-SL(chip)	470P 50V J		01
C0061	US064100	Ceramic Capacitor-B (chip)	0.0100 50V K		01
C0062	US062470	Ceramic Capacitor-SL(chip)	470P 50V J		01
C0063	US064100	Ceramic Capacitor-B (chip)	0.0100 50V K		01
C0064	US064100	Ceramic Capacitor-B (chip)	0.0100 50V K		01
C0065	US062470	Ceramic Capacitor-SL(chip)	470P 50V J		01
C0066	UF037100	Electrolytic Cap. (chip)	10 16V		01
C0067	US064100	Ceramic Capacitor-B (chip)	0.0100 50V K		01
C0068	US062470	Ceramic Capacitor-SL(chip)	470P 50V J		01
C0069	US064100	Ceramic Capacitor-B (chip)	0.0100 50V K		01
C0070	US062470	Ceramic Capacitor-SL(chip)	470P 50V J		01
C0071	US064100	Ceramic Capacitor-B (chip)	0.0100 50V K		01
C0072	US062470	Ceramic Capacitor-SL(chip)	470P 50V J		01
C0073	US064100	Ceramic Capacitor-B (chip)	0.0100 50V K		01
C0074	US062470	Ceramic Capacitor-SL(chip)	470P 50V J		01
C0075	US064100	Ceramic Capacitor-B (chip)	0.0100 50V K		01
C0076	US062470	Ceramic Capacitor-SL(chip)	470P 50V J		01
C0077	US064100	Ceramic Capacitor-B (chip)	0.0100 50V K		01
C0078	US062470	Ceramic Capacitor-SL(chip)	470P 50V J		01
C0079	US064100	Ceramic Capacitor-B (chip)	0.0100 50V K		01
C0080	UF037100	Electrolytic Cap. (chip)	10 16V		01
* C0081	V9452100	Electrolytic Cap. (chip)	100.00 6.3V		01
C0082	US062470	Ceramic Capacitor-SL(chip)	470P 50V J		01
C0083	US064100	Ceramic Capacitor-B (chip)	0.0100 50V K		01
C0084	US062470	Ceramic Capacitor-SL(chip)	470P 50V J		01
C0085	US064100	Ceramic Capacitor-B (chip)	0.0100 50V K		01
C0086	US064100	Ceramic Capacitor-B (chip)	0.0100 50V K		01
C0087	US062470	Ceramic Capacitor-SL(chip)	470P 50V J		01
C0088	US064100	Ceramic Capacitor-B (chip)	0.0100 50V K		01
C0089	US062470	Ceramic Capacitor-SL(chip)	470P 50V J		01
C0090	US064100	Ceramic Capacitor-B (chip)	0.0100 50V K		01
C0091	US064100	Ceramic Capacitor-B (chip)	0.0100 50V K		01
C0092	US062470	Ceramic Capacitor-SL(chip)	470P 50V J		01
C0093	US062470	Ceramic Capacitor-SL(chip)	470P 50V J		01
C0094	US064100	Ceramic Capacitor-B (chip)	0.0100 50V K		01
C0095	US062470	Ceramic Capacitor-SL(chip)	470P 50V J		01
C0096	US064100	Ceramic Capacitor-B (chip)	0.0100 50V K		01
C0097	US064100	Ceramic Capacitor-B (chip)	0.0100 50V K		01
C0098	US062470	Ceramic Capacitor-SL(chip)	470P 50V J		01
C0101	UF037100	Electrolytic Cap. (chip)	10 16V		01
C0102	US062470	Ceramic Capacitor-SL(chip)	470P 50V J		01
C0103	US062470	Ceramic Capacitor-SL(chip)	470P 50V J		01
C0104	US064100	Ceramic Capacitor-B (chip)	0.0100 50V K		01
C0105	US062470	Ceramic Capacitor-SL(chip)	470P 50V J		01
C0106	US062470	Ceramic Capacitor-SL(chip)	470P 50V J		01
C0107	US064100	Ceramic Capacitor-B (chip)	0.0100 50V K		01
* C0108	V9452100	Electrolytic Cap. (chip)	100.00 6.3V		01
C0109	US064100	Ceramic Capacitor-B (chip)	0.0100 50V K		01
C0112	UF037100	Electrolytic Cap. (chip)	10 16V		01
-0115	UF037100	Electrolytic Cap. (chip)	10 16V		01
C0116	US061180	Ceramic Capacitor-CH(chip)	18P 50V J		01
C0117	US061220	Ceramic Capacitor-CH(chip)	22P 50V J		01
C0118	US064100	Ceramic Capacitor-B (chip)	0.0100 50V K		01
-0123	US064100	Ceramic Capacitor-B (chip)	0.0100 50V K		01
C0124	US062470	Ceramic Capacitor-SL(chip)	470P 50V J		01
C0125	US064100	Ceramic Capacitor-B (chip)	0.0100 50V K		01
C0126	US062470	Ceramic Capacitor-SL(chip)	470P 50V J		01
C0127	US064100	Ceramic Capacitor-B (chip)	0.0100 50V K		01
C0128	US062470	Ceramic Capacitor-SL(chip)	470P 50V J		01
C0129	US064100	Ceramic Capacitor-B (chip)	0.0100 50V K		01
C0130	US062470	Ceramic Capacitor-SL(chip)	470P 50V J		01
C0131	UF037100	Electrolytic Cap. (chip)	10 16V		01
C0132	US064100	Ceramic Capacitor-B (chip)	0.0100 50V K		01
-0134	US064100	Ceramic Capacitor-B (chip)	0.0100 50V K		01
C0135	US062470	Ceramic Capacitor-SL(chip)	470P 50V J		01
C0136	US064100	Ceramic Capacitor-B (chip)	0.0100 50V K		01
C0137	US062470	Ceramic Capacitor-SL(chip)	470P 50V J		01
C0138	US064100	Ceramic Capacitor-B (chip)	0.0100 50V K		01
C0139	US062470	Ceramic Capacitor-SL(chip)	470P 50V J		01
C0140	US064100	Ceramic Capacitor-B (chip)	0.0100 50V K		01

*: New Parts

RANK: Japan only

REF NO.	PART NO.	DESCRIPTION	REMARKS	QTY	RANK
C0141	US064100	Ceramic Capacitor-B (chip)	0.0100 50V K		01
C0144	UF037100	Electrolytic Cap. (chip)	10 16V		01
C0145	UF037100	Electrolytic Cap. (chip)	10 16V		01
C0146	US064100	Ceramic Capacitor-B (chip)	0.0100 50V K		01
-0152	US064100	Ceramic Capacitor-B (chip)	0.0100 50V K		01
C0153	UF037100	Electrolytic Cap. (chip)	10 16V		01
C0156	US064100	Ceramic Capacitor-B (chip)	0.0100 50V K		01
C0161	UF037100	Electrolytic Cap. (chip)	10 16V		01
CN001	VZ581400	Plug	8800 60P SE		05
CN004	V8389000	Connector	55091 60P TE		04
CN005	V8389000	Connector	55091 60P TE		04
* CN006	V9864400	Connector, FFC	54104 50P SE		
* CN007	V9864400	Connector, FFC	54104 50P SE		
D0001	VS201100	Diode	D1F60		01
D0002	VS201100	Diode	D1F60		01
EM001	VD542700	LC Filter	DSS6NF31C223Q93A		01
IC001	X2687A00	IC	HD6417709SHF200B	} CPU (SH3)	20
* IC001	X2687B00	IC	HD6417709SHF200B		20
* IC002	X0176A00	IC	W986432DH-7	} SDRAM 64M	15
IC002	X3479A00	IC	K4S643232F-TC/L60		08
* IC004	X4763100	IC	MR27V402E-095TP	} MASK ROM 4M PROGRAM GATE ARRAY SWP50	
* IC005	X4195A00	IC	S1L50553F21Y000		
IC006	X0060A00	IC	T8F02TB-0102		15
IC007	X0176A00	IC	W986432DH-7	} SDRAM 64M	15
IC007	X3479A00	IC	K4S643232F-TC/L60		08
* IC010	X4689100	IC	MX23L12810TC-10	} MASK ROM 128M WAVE L1 MASK ROM 128M WAVE H1	
* IC011	X4690100	IC	MX23L12810TC-10		
* IC012	X4691100	IC	MX23L12810TC-10		
* IC013	X4692100	IC	MX23L12810TC-10	} MASK ROM 128M WAVE L2 MASK ROM 128M WAVE H2	
* IC014	X4693100	IC	MX23L12810TC-10		
* IC015	X4694100	IC	MX23L12810TC-10		
IC020	XS963A00	IC	HD74LVC138FP	} MASK ROM 128M WAVE H3 DECODER	02
IC021	XV890A00	IC	TC74VHC14FT		02
IC022	X0609A00	IC	LMS8117AMP-ADJ		03
IC023	X0609A00	IC	LMS8117AMP-ADJ	REGULATOR	03
L0001	RD355220	Carbon Resistor (chip)	220.0 63M J		01
L0002	RD354470	Carbon Resistor (chip)	47.0 63M J		01
L0003	RD350000	Carbon Resistor (chip)	0 63M J		01
-0005	RD350000	Carbon Resistor (chip)	0 63M J		01
L0007	RD354470	Carbon Resistor (chip)	47.0 63M J		01
-0024	RD354470	Carbon Resistor (chip)	47.0 63M J		01
L0025	RD355220	Carbon Resistor (chip)	220.0 63M J		01
L0026	RD354470	Carbon Resistor (chip)	47.0 63M J		01
L0027	RD355220	Carbon Resistor (chip)	220.0 63M J		01
L0028	RD350000	Carbon Resistor (chip)	0 63M J		01
-0030	RD350000	Carbon Resistor (chip)	0 63M J		01
L0031	RD354470	Carbon Resistor (chip)	47.0 63M J		01
-0048	RD354470	Carbon Resistor (chip)	47.0 63M J		01
L0072	V2747000	Chip Inductance	BLM18PG600SN1		
* R0001	RF455270	Carbon Resistor (chip)	270.0 D		
* -0003	RF455270	Carbon Resistor (chip)	270.0 D		
R0004	RF454270	Carbon Resistor (chip)	27.0 D		01
* R0005	RF455270	Carbon Resistor (chip)	270.0 D		
R0006	RF454820	Carbon Resistor (chip)	82.0 D		01
R0008	RD355220	Carbon Resistor (chip)	220.0 63M J		01
R0012	RD357100	Carbon Resistor (chip)	10.0K 63M J		01
R0019	RD350000	Carbon Resistor (chip)	0 63M J		01
R0023	RD357100	Carbon Resistor (chip)	10.0K 63M J		01
-0026	RD357100	Carbon Resistor (chip)	10.0K 63M J		01
R0027	RD356100	Carbon Resistor (chip)	1.0K 63M J		01
R0028	RD357100	Carbon Resistor (chip)	10.0K 63M J		01
-0033	RD357100	Carbon Resistor (chip)	10.0K 63M J		01
R0035	RD350000	Carbon Resistor (chip)	0 63M J		01
R0040	RD357100	Carbon Resistor (chip)	10.0K 63M J		01
R0042	RD354390	Carbon Resistor (chip)	39.0 63M J		01
R0043	RD354680	Carbon Resistor (chip)	68.0 63M J		01
R0052	RD354680	Carbon Resistor (chip)	68.0 63M J		01
R0054	RD357100	Carbon Resistor (chip)	10.0K 63M J		01
-0056	RD357100	Carbon Resistor (chip)	10.0K 63M J		01
R0057	RD354680	Carbon Resistor (chip)	68.0 63M J		01

*: New Parts

RANK: Japan only

REF NO.	PART NO.	DESCRIPTION	REMARKS	QTY	RANK
-0066	RD354680	Carbon Resistor (chip)	68.0 63M J		01
R0067	RD357100	Carbon Resistor (chip)	10.0K 63M J		01
R0068	RD350000	Carbon Resistor (chip)	0 63M J		01
R0069	RD357100	Carbon Resistor (chip)	10.0K 63M J		01
R0070	RD357100	Carbon Resistor (chip)	10.0K 63M J		01
R0071	RD354680	Carbon Resistor (chip)	68.0 63M J		01
R0072	RD357100	Carbon Resistor (chip)	10.0K 63M J		01
R0073	RD357100	Carbon Resistor (chip)	10.0K 63M J		01
R0074	RD350000	Carbon Resistor (chip)	0 63M J		01
R0075	RD357100	Carbon Resistor (chip)	10.0K 63M J		01
R0076	RD354680	Carbon Resistor (chip)	68.0 63M J		01
R0077	RD357100	Carbon Resistor (chip)	10.0K 63M J		01
R0078	RD354680	Carbon Resistor (chip)	68.0 63M J		01
R0079	RD357100	Carbon Resistor (chip)	10.0K 63M J		01
R0080	RD354680	Carbon Resistor (chip)	68.0 63M J		01
R0081	RD357100	Carbon Resistor (chip)	10.0K 63M J		01
R0082	RD354680	Carbon Resistor (chip)	68.0 63M J		01
R0083	RD357100	Carbon Resistor (chip)	10.0K 63M J		01
R0084	RD357100	Carbon Resistor (chip)	10.0K 63M J		01
R0085	RD354390	Carbon Resistor (chip)	39.0 63M J		01
R0086	RD354680	Carbon Resistor (chip)	68.0 63M J		01
R0087	RD357100	Carbon Resistor (chip)	10.0K 63M J		01
-0090	RD357100	Carbon Resistor (chip)	10.0K 63M J		01
R0092	RD354680	Carbon Resistor (chip)	68.0 63M J		01
R0093	RD357100	Carbon Resistor (chip)	10.0K 63M J		01
R0094	RD354680	Carbon Resistor (chip)	68.0 63M J		01
-0096	RD354680	Carbon Resistor (chip)	68.0 63M J		01
R0097	RD357100	Carbon Resistor (chip)	10.0K 63M J		01
R0098	RD354680	Carbon Resistor (chip)	68.0 63M J		01
R0099	RD357100	Carbon Resistor (chip)	10.0K 63M J		01
-0101	RD357100	Carbon Resistor (chip)	10.0K 63M J		01
R0102	RD355330	Carbon Resistor (chip)	330.0 63M J		01
R0103	RD357100	Carbon Resistor (chip)	10.0K 63M J		01
R0104	RD355220	Carbon Resistor (chip)	220.0 63M J		01
R0105	RD357100	Carbon Resistor (chip)	10.0K 63M J		01
R0106	RD357100	Carbon Resistor (chip)	10.0K 63M J		01
R0107	RD354680	Carbon Resistor (chip)	68.0 63M J		01
-0109	RD354680	Carbon Resistor (chip)	68.0 63M J		01
R0110	RD357100	Carbon Resistor (chip)	10.0K 63M J		01
-0112	RD357100	Carbon Resistor (chip)	10.0K 63M J		01
R0114	RD357100	Carbon Resistor (chip)	10.0K 63M J		01
R0115	RD350000	Carbon Resistor (chip)	0 63M J		01
R0116	RD350000	Carbon Resistor (chip)	0 63M J		01
RA001	RE047100	Resistor Array	10KX4		01
RA002	RE048100	Resistor Array	100KX4		01
RA003	RE044680	Resistor Array	68X4		01
RA004	RE048100	Resistor Array	100KX4		01
RA005	RE044680	Resistor Array	68X4		01
RA006	RE048100	Resistor Array	100KX4		01
RA007	RE044680	Resistor Array	68X4		01
RA008	RE048100	Resistor Array	100KX4		01
RA009	RE044680	Resistor Array	68X4		01
RA010	RE048100	Resistor Array	100KX4		01
RA011	RE044680	Resistor Array	68X4		01
-015	RE044680	Resistor Array	68X4		01
RA016	RE044390	Resistor Array	39X4		01
-022	RE044390	Resistor Array	39X4		01
RA023	RE044560	Resistor Array	56X4		01
RA024	RE044560	Resistor Array	56X4		01
RA025	RE044680	Resistor Array	68X4		01
RA026	RE044560	Resistor Array	56X4		01
RA027	RE044560	Resistor Array	56X4		01
RA028	RE044680	Resistor Array	68X4		01
RA029	RE044560	Resistor Array	56X4		01
RA030	RE044560	Resistor Array	56X4		01
RA031	RE044680	Resistor Array	68X4		01
RA032	RE044560	Resistor Array	56X4		01
RA033	RE044560	Resistor Array	56X4		01
RA034	RE047100	Resistor Array	10KX4		01
-038	RE047100	Resistor Array	10KX4		01

*: New Parts

RANK: Japan only

REF NO.	PART NO.	DESCRIPTION		REMARKS	QTY	RANK
RA039	RE044390	Resistor Array	39X4			01
-042	RE044390	Resistor Array	39X4			01
RA047	RE044560	Resistor Array	56X4			01
-054	RE044560	Resistor Array	56X4			01
* X0001	WB551700	Quartz Crystal Unit	16.666MHz SMD-49			
*	WB822600	Circuit Board	TG1-E2	(X4411C0)		
C0001	US064100	Ceramic Capacitor-B (chip)	0.0100 50V K			01
C0002	US062470	Ceramic Capacitor-SL(chip)	470P 50V J			01
C0003	US064100	Ceramic Capacitor-B (chip)	0.0100 50V K			01
C0004	US062470	Ceramic Capacitor-SL(chip)	470P 50V J			01
C0005	US064100	Ceramic Capacitor-B (chip)	0.0100 50V K			01
C0006	US062470	Ceramic Capacitor-SL(chip)	470P 50V J			01
C0007	US064100	Ceramic Capacitor-B (chip)	0.0100 50V K			01
C0008	US062470	Ceramic Capacitor-SL(chip)	470P 50V J			01
C0009	US064100	Ceramic Capacitor-B (chip)	0.0100 50V K			01
C0010	US062470	Ceramic Capacitor-SL(chip)	470P 50V J			01
C0011	US064100	Ceramic Capacitor-B (chip)	0.0100 50V K			01
C0012	US062470	Ceramic Capacitor-SL(chip)	470P 50V J			01
C0013	US064100	Ceramic Capacitor-B (chip)	0.0100 50V K			01
C0014	US062470	Ceramic Capacitor-SL(chip)	470P 50V J			01
C0015	US064100	Ceramic Capacitor-B (chip)	0.0100 50V K			01
C0016	US062470	Ceramic Capacitor-SL(chip)	470P 50V J			01
C0017	US064100	Ceramic Capacitor-B (chip)	0.0100 50V K			01
C0018	US062470	Ceramic Capacitor-SL(chip)	470P 50V J			01
C0019	US064100	Ceramic Capacitor-B (chip)	0.0100 50V K			01
C0020	US062470	Ceramic Capacitor-SL(chip)	470P 50V J			01
C0021	US064100	Ceramic Capacitor-B (chip)	0.0100 50V K			01
C0022	US062470	Ceramic Capacitor-SL(chip)	470P 50V J			01
C0023	US064100	Ceramic Capacitor-B (chip)	0.0100 50V K			01
C0024	US062470	Ceramic Capacitor-SL(chip)	470P 50V J			01
C0025	US064100	Ceramic Capacitor-B (chip)	0.0100 50V K			01
C0026	US062470	Ceramic Capacitor-SL(chip)	470P 50V J			01
C0027	US064100	Ceramic Capacitor-B (chip)	0.0100 50V K			01
C0028	US062470	Ceramic Capacitor-SL(chip)	470P 50V J			01
C0029	UF018100	Electrolytic Cap. (chip)	100 6.3V			01
C0030	UF018100	Electrolytic Cap. (chip)	100 6.3V			01
C0031	UF037100	Electrolytic Cap. (chip)	10 16V			01
C0032	UF037100	Electrolytic Cap. (chip)	10 16V			01
C0033	US135100	Ceramic Capacitor-F (chip)	0.1000 16V Z			01
C0034	US135100	Ceramic Capacitor-F (chip)	0.1000 16V Z			01
C0037	UF118220	Electrolytic Cap. (chip)	220 6.3V UUR0J2			01
C0038	US135100	Ceramic Capacitor-F (chip)	0.1000 16V Z			01
C0039	US064100	Ceramic Capacitor-B (chip)	0.0100 50V K			01
C0040	US135100	Ceramic Capacitor-F (chip)	0.1000 16V Z			01
C0041	US135100	Ceramic Capacitor-F (chip)	0.1000 16V Z			01
* C0042	V9452100	Electrolytic Cap. (chip)	100.00 6.3V			
* C0043	V9454200	Electrolytic Cap. (chip)	220.00 6.3V			
C0044	US064100	Ceramic Capacitor-B (chip)	0.0100 50V K			01
C0045	US062470	Ceramic Capacitor-SL(chip)	470P 50V J			01
C0046	US064100	Ceramic Capacitor-B (chip)	0.0100 50V K			01
C0047	US062470	Ceramic Capacitor-SL(chip)	470P 50V J			01
C0048	US064100	Ceramic Capacitor-B (chip)	0.0100 50V K			01
C0049	US062470	Ceramic Capacitor-SL(chip)	470P 50V J			01
C0050	US064100	Ceramic Capacitor-B (chip)	0.0100 50V K			01
C0051	US062470	Ceramic Capacitor-SL(chip)	470P 50V J			01
C0052	UF037100	Electrolytic Cap. (chip)	10 16V			01
C0053	UF037100	Electrolytic Cap. (chip)	10 16V			01
C0054	US064100	Ceramic Capacitor-B (chip)	0.0100 50V K			01
C0055	US062470	Ceramic Capacitor-SL(chip)	470P 50V J			01
C0056	US064100	Ceramic Capacitor-B (chip)	0.0100 50V K			01
C0057	US064100	Ceramic Capacitor-B (chip)	0.0100 50V K			01
C0058	US062470	Ceramic Capacitor-SL(chip)	470P 50V J			01
C0059	US064100	Ceramic Capacitor-B (chip)	0.0100 50V K			01
C0060	US062470	Ceramic Capacitor-SL(chip)	470P 50V J			01
C0061	US064100	Ceramic Capacitor-B (chip)	0.0100 50V K			01
C0062	US062470	Ceramic Capacitor-SL(chip)	470P 50V J			01
C0063	US064100	Ceramic Capacitor-B (chip)	0.0100 50V K			01
C0064	US064100	Ceramic Capacitor-B (chip)	0.0100 50V K			01
C0065	US062470	Ceramic Capacitor-SL(chip)	470P 50V J			01

*: New Parts

RANK: Japan only

REF NO.	PART NO.	DESCRIPTION		REMARKS	QTY	RANK
C0066	UF037100	Electrolytic Cap. (chip)	10 16V			01
C0067	US064100	Ceramic Capacitor-B (chip)	0.0100 50V K			01
C0068	US062470	Ceramic Capacitor-SL(chip)	470P 50V J			01
C0069	US064100	Ceramic Capacitor-B (chip)	0.0100 50V K			01
C0070	US062470	Ceramic Capacitor-SL(chip)	470P 50V J			01
C0071	US064100	Ceramic Capacitor-B (chip)	0.0100 50V K			01
C0072	US062470	Ceramic Capacitor-SL(chip)	470P 50V J			01
C0073	US064100	Ceramic Capacitor-B (chip)	0.0100 50V K			01
C0074	US062470	Ceramic Capacitor-SL(chip)	470P 50V J			01
C0075	US064100	Ceramic Capacitor-B (chip)	0.0100 50V K			01
C0076	US062470	Ceramic Capacitor-SL(chip)	470P 50V J			01
C0077	US064100	Ceramic Capacitor-B (chip)	0.0100 50V K			01
C0078	US062470	Ceramic Capacitor-SL(chip)	470P 50V J			01
C0079	US064100	Ceramic Capacitor-B (chip)	0.0100 50V K			01
C0080	UF037100	Electrolytic Cap. (chip)	10 16V			01
* C0081	V9452100	Electrolytic Cap. (chip)	100.00 6.3V			
C0082	US062470	Ceramic Capacitor-SL(chip)	470P 50V J			01
C0083	US064100	Ceramic Capacitor-B (chip)	0.0100 50V K			01
C0084	US062470	Ceramic Capacitor-SL(chip)	470P 50V J			01
C0085	US064100	Ceramic Capacitor-B (chip)	0.0100 50V K			01
C0086	US064100	Ceramic Capacitor-B (chip)	0.0100 50V K			01
C0087	US062470	Ceramic Capacitor-SL(chip)	470P 50V J			01
C0088	US064100	Ceramic Capacitor-B (chip)	0.0100 50V K			01
C0089	US062470	Ceramic Capacitor-SL(chip)	470P 50V J			01
C0090	US064100	Ceramic Capacitor-B (chip)	0.0100 50V K			01
C0091	US064100	Ceramic Capacitor-B (chip)	0.0100 50V K			01
C0092	US062470	Ceramic Capacitor-SL(chip)	470P 50V J			01
C0093	US062470	Ceramic Capacitor-SL(chip)	470P 50V J			01
C0094	US064100	Ceramic Capacitor-B (chip)	0.0100 50V K			01
C0095	US062470	Ceramic Capacitor-SL(chip)	470P 50V J			01
C0096	US064100	Ceramic Capacitor-B (chip)	0.0100 50V K			01
C0097	US064100	Ceramic Capacitor-B (chip)	0.0100 50V K			01
C0098	US062470	Ceramic Capacitor-SL(chip)	470P 50V J			01
C0101	UF037100	Electrolytic Cap. (chip)	10 16V			01
C0102	US062470	Ceramic Capacitor-SL(chip)	470P 50V J			01
C0103	US062470	Ceramic Capacitor-SL(chip)	470P 50V J			01
C0104	US064100	Ceramic Capacitor-B (chip)	0.0100 50V K			01
C0105	US062470	Ceramic Capacitor-SL(chip)	470P 50V J			01
C0106	US062470	Ceramic Capacitor-SL(chip)	470P 50V J			01
C0107	US064100	Ceramic Capacitor-B (chip)	0.0100 50V K			01
* C0108	V9452100	Electrolytic Cap. (chip)	100.00 6.3V			
C0109	US064100	Ceramic Capacitor-B (chip)	0.0100 50V K			01
C0116	US061180	Ceramic Capacitor-CH(chip)	18P 50V J			01
C0117	US061220	Ceramic Capacitor-CH(chip)	22P 50V J			01
C0118	US064100	Ceramic Capacitor-B (chip)	0.0100 50V K			01
C0123	US064100	Ceramic Capacitor-B (chip)	0.0100 50V K			01
C0124	US062470	Ceramic Capacitor-SL(chip)	470P 50V J			01
C0125	US064100	Ceramic Capacitor-B (chip)	0.0100 50V K			01
C0126	US062470	Ceramic Capacitor-SL(chip)	470P 50V J			01
C0127	US064100	Ceramic Capacitor-B (chip)	0.0100 50V K			01
C0128	US062470	Ceramic Capacitor-SL(chip)	470P 50V J			01
C0129	US064100	Ceramic Capacitor-B (chip)	0.0100 50V K			01
C0130	US062470	Ceramic Capacitor-SL(chip)	470P 50V J			01
C0131	UF037100	Electrolytic Cap. (chip)	10 16V			01
C0134	US064100	Ceramic Capacitor-B (chip)	0.0100 50V K			01
C0135	US062470	Ceramic Capacitor-SL(chip)	470P 50V J			01
C0136	US064100	Ceramic Capacitor-B (chip)	0.0100 50V K			01
C0137	US062470	Ceramic Capacitor-SL(chip)	470P 50V J			01
C0138	US064100	Ceramic Capacitor-B (chip)	0.0100 50V K			01
C0139	US062470	Ceramic Capacitor-SL(chip)	470P 50V J			01
C0146	US064100	Ceramic Capacitor-B (chip)	0.0100 50V K			01
C0151	US064100	Ceramic Capacitor-B (chip)	0.0100 50V K			01
C0152	US064100	Ceramic Capacitor-B (chip)	0.0100 50V K			01
C0153	UF037100	Electrolytic Cap. (chip)	10 16V			01
C0156	US064100	Ceramic Capacitor-B (chip)	0.0100 50V K			01
C0161	UF037100	Electrolytic Cap. (chip)	10 16V			01
CN001	VZ581400	Plug	8800 60P SE			05
* CN006	V9864400	Connector, FFC	54104 50P SE			
* CN007	V9864400	Connector, FFC	54104 50P SE			
D0001	VS201100	Diode	D1F60			01

*: New Parts

RANK: Japan only

REF NO.	PART NO.	DESCRIPTION	REMARKS	QTY	RANK
D0002	VS201100	Diode	D1F60		01
EM001	VD542700	LC Filter	DSS6NF31C223Q93A		01
IC001	X2687A00	IC	HD6417709SHF200B	} CPU (SH3)	20
* IC001	X2687B00	IC	HD6417709SHF200B		20
IC002	X0176A00	IC	W986432DH-7	} SDRAM 64M	15
IC002	X3479A00	IC	K4S643232F-TC/L60		08
IC004	X4763100	IC	MR27V402E-095TP	} MASK ROM 4M PROGRAM	
* IC005	X4195A00	IC	S1L50553F21Y000		
IC006	X0060A00	IC	T8F02TB-0102	} SWP50	15
IC007	X0176A00	IC	W986432DH-7		
IC007	X3479A00	IC	K4S643232F-TC/L60	} SDRAM 64M	15
IC020	XS963A00	IC	HD74LVC138FP		
IC021	XV890A00	IC	TC74VHC14FT	} DECODER	02
IC022	X0609A00	IC	LMS8117AMP-ADJ		
IC023	X0609A00	IC	LMS8117AMP-ADJ	} INVERTER	02
L0001	RD355220	Carbon Resistor (chip)	220.0 63M J		} REGULATOR
L0002	RD354470	Carbon Resistor (chip)	47.0 63M J		
L0003	RD350000	Carbon Resistor (chip)	0 63M J	} REGULATOR	03
-0005	RD350000	Carbon Resistor (chip)	0 63M J		
L0007	RD354470	Carbon Resistor (chip)	47.0 63M J		01
-0024	RD354470	Carbon Resistor (chip)	47.0 63M J		01
L0025	RD355220	Carbon Resistor (chip)	220.0 63M J		01
L0026	RD354470	Carbon Resistor (chip)	47.0 63M J		01
L0027	RD355220	Carbon Resistor (chip)	220.0 63M J		01
L0028	RD350000	Carbon Resistor (chip)	0 63M J		01
-0030	RD350000	Carbon Resistor (chip)	0 63M J		01
L0031	RD354470	Carbon Resistor (chip)	47.0 63M J		01
-0048	RD354470	Carbon Resistor (chip)	47.0 63M J		01
L0072	V2747000	Chip Inductance	BLM18PG600SN1		01
* R0001	RF455270	Carbon Resistor (chip)	270.0 D		
* -0003	RF455270	Carbon Resistor (chip)	270.0 D		
R0004	RF454270	Carbon Resistor (chip)	27.0 D		01
* R0005	RF455270	Carbon Resistor (chip)	270.0 D		
R0006	RF454820	Carbon Resistor (chip)	82.0 D		01
R0009	RD355220	Carbon Resistor (chip)	220.0 63M J		01
R0012	RD357100	Carbon Resistor (chip)	10.0K 63M J		01
R0019	RD350000	Carbon Resistor (chip)	0 63M J		01
R0023	RD357100	Carbon Resistor (chip)	10.0K 63M J		01
-0026	RD357100	Carbon Resistor (chip)	10.0K 63M J		01
R0027	RD356100	Carbon Resistor (chip)	1.0K 63M J		01
R0028	RD357100	Carbon Resistor (chip)	10.0K 63M J		01
-0033	RD357100	Carbon Resistor (chip)	10.0K 63M J		01
R0035	RD350000	Carbon Resistor (chip)	0 63M J		01
R0039	RD357100	Carbon Resistor (chip)	10.0K 63M J		01
R0042	RD354390	Carbon Resistor (chip)	39.0 63M J		01
R0043	RD354680	Carbon Resistor (chip)	68.0 63M J		01
R0052	RD354680	Carbon Resistor (chip)	68.0 63M J		01
R0054	RD357100	Carbon Resistor (chip)	10.0K 63M J		01
-0056	RD357100	Carbon Resistor (chip)	10.0K 63M J		01
R0057	RD354680	Carbon Resistor (chip)	68.0 63M J		01
-0066	RD354680	Carbon Resistor (chip)	68.0 63M J		01
R0067	RD357100	Carbon Resistor (chip)	10.0K 63M J		01
R0068	RD350000	Carbon Resistor (chip)	0 63M J		01
R0069	RD357100	Carbon Resistor (chip)	10.0K 63M J		01
R0070	RD357100	Carbon Resistor (chip)	10.0K 63M J		01
R0071	RD354680	Carbon Resistor (chip)	68.0 63M J		01
R0072	RD357100	Carbon Resistor (chip)	10.0K 63M J		01
R0073	RD357100	Carbon Resistor (chip)	10.0K 63M J		01
R0074	RD350000	Carbon Resistor (chip)	0 63M J		01
R0075	RD357100	Carbon Resistor (chip)	10.0K 63M J		01
R0076	RD354680	Carbon Resistor (chip)	68.0 63M J		01
R0077	RD357100	Carbon Resistor (chip)	10.0K 63M J		01
R0078	RD354680	Carbon Resistor (chip)	68.0 63M J		01
R0079	RD357100	Carbon Resistor (chip)	10.0K 63M J		01
R0080	RD354680	Carbon Resistor (chip)	68.0 63M J		01
R0081	RD357100	Carbon Resistor (chip)	10.0K 63M J		01
R0082	RD354680	Carbon Resistor (chip)	68.0 63M J		01
R0083	RD357100	Carbon Resistor (chip)	10.0K 63M J		01
R0084	RD357100	Carbon Resistor (chip)	10.0K 63M J		01
R0085	RD354390	Carbon Resistor (chip)	39.0 63M J		01

*: New Parts

RANK: Japan only

REF NO.	PART NO.	DESCRIPTION		REMARKS	QTY	RANK
R0086	RD354680	Carbon Resistor (chip)	68.0 63M J			01
R0087	RD357100	Carbon Resistor (chip)	10.0K 63M J			01
-0090	RD357100	Carbon Resistor (chip)	10.0K 63M J			01
R0092	RD354680	Carbon Resistor (chip)	68.0 63M J			01
R0093	RD357100	Carbon Resistor (chip)	10.0K 63M J			01
R0094	RD354680	Carbon Resistor (chip)	68.0 63M J			01
-0096	RD354680	Carbon Resistor (chip)	68.0 63M J			01
R0097	RD357100	Carbon Resistor (chip)	10.0K 63M J			01
R0098	RD354680	Carbon Resistor (chip)	68.0 63M J			01
R0099	RD357100	Carbon Resistor (chip)	10.0K 63M J			01
-0101	RD357100	Carbon Resistor (chip)	10.0K 63M J			01
R0102	RD355330	Carbon Resistor (chip)	330.0 63M J			01
R0103	RD357100	Carbon Resistor (chip)	10.0K 63M J			01
R0104	RD355220	Carbon Resistor (chip)	220.0 63M J			01
R0105	RD357100	Carbon Resistor (chip)	10.0K 63M J			01
R0106	RD357100	Carbon Resistor (chip)	10.0K 63M J			01
R0107	RD354680	Carbon Resistor (chip)	68.0 63M J			01
-0109	RD354680	Carbon Resistor (chip)	68.0 63M J			01
R0110	RD357100	Carbon Resistor (chip)	10.0K 63M J			01
-0112	RD357100	Carbon Resistor (chip)	10.0K 63M J			01
R0114	RD357100	Carbon Resistor (chip)	10.0K 63M J			01
R0115	RD350000	Carbon Resistor (chip)	0 63M J			01
R0116	RD350000	Carbon Resistor (chip)	0 63M J			01
RA001	RE047100	Resistor Array	10KX4			01
RA002	RE048100	Resistor Array	100KX4			01
RA003	RE044680	Resistor Array	68X4			01
RA004	RE048100	Resistor Array	100KX4			01
RA005	RE044680	Resistor Array	68X4			01
RA006	RE048100	Resistor Array	100KX4			01
RA007	RE044680	Resistor Array	68X4			01
RA008	RE048100	Resistor Array	100KX4			01
RA009	RE044680	Resistor Array	68X4			01
RA010	RE048100	Resistor Array	100KX4			01
RA011	RE044680	Resistor Array	68X4			01
-015	RE044680	Resistor Array	68X4			01
RA016	RE044390	Resistor Array	39X4			01
-022	RE044390	Resistor Array	39X4			01
RA023	RE044560	Resistor Array	56X4			01
RA024	RE044560	Resistor Array	56X4			01
RA025	RE044680	Resistor Array	68X4			01
RA026	RE044560	Resistor Array	56X4			01
RA027	RE044560	Resistor Array	56X4			01
RA028	RE044680	Resistor Array	68X4			01
RA029	RE044560	Resistor Array	56X4			01
RA030	RE044560	Resistor Array	56X4			01
RA031	RE044680	Resistor Array	68X4			01
RA032	RE044560	Resistor Array	56X4			01
RA033	RE044560	Resistor Array	56X4			01
RA034	RE047100	Resistor Array	10KX4			01
-038	RE047100	Resistor Array	10KX4			01
RA039	RE044390	Resistor Array	39X4			01
-042	RE044390	Resistor Array	39X4			01
RA047	RE044560	Resistor Array	56X4			01
-054	RE044560	Resistor Array	56X4			01
* X0001	WB551700	Quartz Crystal Unit	16.666MHz SMD-49			
*	WB822700	Circuit Board	TG1-E3	ELS-01C (X4411C0)		
C0001	US064100	Ceramic Capacitor-B (chip)	0.0100 50V K			01
C0002	US062470	Ceramic Capacitor-SL(chip)	470P 50V J			01
C0003	US064100	Ceramic Capacitor-B (chip)	0.0100 50V K			01
C0004	US062470	Ceramic Capacitor-SL(chip)	470P 50V J			01
C0005	US064100	Ceramic Capacitor-B (chip)	0.0100 50V K			01
C0006	US062470	Ceramic Capacitor-SL(chip)	470P 50V J			01
C0007	US064100	Ceramic Capacitor-B (chip)	0.0100 50V K			01
C0008	US062470	Ceramic Capacitor-SL(chip)	470P 50V J			01
C0009	US064100	Ceramic Capacitor-B (chip)	0.0100 50V K			01
C0010	US062470	Ceramic Capacitor-SL(chip)	470P 50V J			01
C0011	US064100	Ceramic Capacitor-B (chip)	0.0100 50V K			01
C0012	US062470	Ceramic Capacitor-SL(chip)	470P 50V J			01
C0013	US064100	Ceramic Capacitor-B (chip)	0.0100 50V K			01

*: New Parts

RANK: Japan only

REF NO.	PART NO.	DESCRIPTION	REMARKS	QTY	RANK
C0014	US062470	Ceramic Capacitor-SL(chip)	470P 50V J		01
C0015	US064100	Ceramic Capacitor-B (chip)	0.0100 50V K		01
C0016	US062470	Ceramic Capacitor-SL(chip)	470P 50V J		01
C0017	US064100	Ceramic Capacitor-B (chip)	0.0100 50V K		01
C0018	US062470	Ceramic Capacitor-SL(chip)	470P 50V J		01
C0019	US064100	Ceramic Capacitor-B (chip)	0.0100 50V K		01
C0020	US062470	Ceramic Capacitor-SL(chip)	470P 50V J		01
C0021	US064100	Ceramic Capacitor-B (chip)	0.0100 50V K		01
C0022	US062470	Ceramic Capacitor-SL(chip)	470P 50V J		01
C0023	US064100	Ceramic Capacitor-B (chip)	0.0100 50V K		01
C0024	US062470	Ceramic Capacitor-SL(chip)	470P 50V J		01
C0025	US064100	Ceramic Capacitor-B (chip)	0.0100 50V K		01
C0026	US062470	Ceramic Capacitor-SL(chip)	470P 50V J		01
C0027	US064100	Ceramic Capacitor-B (chip)	0.0100 50V K		01
C0028	US062470	Ceramic Capacitor-SL(chip)	470P 50V J		01
C0029	UF018100	Electrolytic Cap. (chip)	100 6.3V		01
C0030	UF018100	Electrolytic Cap. (chip)	100 6.3V		01
C0031	UF037100	Electrolytic Cap. (chip)	10 16V		01
C0032	UF037100	Electrolytic Cap. (chip)	10 16V		01
C0033	US135100	Ceramic Capacitor-F (chip)	0.1000 16V Z		01
C0034	US135100	Ceramic Capacitor-F (chip)	0.1000 16V Z		01
C0037	UF118220	Electrolytic Cap. (chip)	220 6.3V UUR0J2		01
C0038	US135100	Ceramic Capacitor-F (chip)	0.1000 16V Z		01
C0039	US064100	Ceramic Capacitor-B (chip)	0.0100 50V K		01
C0040	US135100	Ceramic Capacitor-F (chip)	0.1000 16V Z		01
C0041	US135100	Ceramic Capacitor-F (chip)	0.1000 16V Z		01
* C0042	V9452100	Electrolytic Cap. (chip)	100.00 6.3V		
* C0043	V9454200	Electrolytic Cap. (chip)	220.00 6.3V		
C0044	US064100	Ceramic Capacitor-B (chip)	0.0100 50V K		01
C0045	US062470	Ceramic Capacitor-SL(chip)	470P 50V J		01
C0046	US064100	Ceramic Capacitor-B (chip)	0.0100 50V K		01
C0047	US062470	Ceramic Capacitor-SL(chip)	470P 50V J		01
C0048	US064100	Ceramic Capacitor-B (chip)	0.0100 50V K		01
C0049	US062470	Ceramic Capacitor-SL(chip)	470P 50V J		01
C0050	US064100	Ceramic Capacitor-B (chip)	0.0100 50V K		01
C0051	US062470	Ceramic Capacitor-SL(chip)	470P 50V J		01
C0052	UF037100	Electrolytic Cap. (chip)	10 16V		01
C0053	UF037100	Electrolytic Cap. (chip)	10 16V		01
C0054	US064100	Ceramic Capacitor-B (chip)	0.0100 50V K		01
C0055	US062470	Ceramic Capacitor-SL(chip)	470P 50V J		01
C0056	US064100	Ceramic Capacitor-B (chip)	0.0100 50V K		01
C0057	US064100	Ceramic Capacitor-B (chip)	0.0100 50V K		01
C0058	US062470	Ceramic Capacitor-SL(chip)	470P 50V J		01
C0059	US064100	Ceramic Capacitor-B (chip)	0.0100 50V K		01
C0060	US062470	Ceramic Capacitor-SL(chip)	470P 50V J		01
C0061	US064100	Ceramic Capacitor-B (chip)	0.0100 50V K		01
C0062	US062470	Ceramic Capacitor-SL(chip)	470P 50V J		01
C0063	US064100	Ceramic Capacitor-B (chip)	0.0100 50V K		01
C0064	US064100	Ceramic Capacitor-B (chip)	0.0100 50V K		01
C0065	US062470	Ceramic Capacitor-SL(chip)	470P 50V J		01
C0066	UF037100	Electrolytic Cap. (chip)	10 16V		01
C0067	US064100	Ceramic Capacitor-B (chip)	0.0100 50V K		01
C0068	US062470	Ceramic Capacitor-SL(chip)	470P 50V J		01
C0069	US064100	Ceramic Capacitor-B (chip)	0.0100 50V K		01
C0070	US062470	Ceramic Capacitor-SL(chip)	470P 50V J		01
C0071	US064100	Ceramic Capacitor-B (chip)	0.0100 50V K		01
C0072	US062470	Ceramic Capacitor-SL(chip)	470P 50V J		01
C0073	US064100	Ceramic Capacitor-B (chip)	0.0100 50V K		01
C0074	US062470	Ceramic Capacitor-SL(chip)	470P 50V J		01
C0075	US064100	Ceramic Capacitor-B (chip)	0.0100 50V K		01
C0076	US062470	Ceramic Capacitor-SL(chip)	470P 50V J		01
C0077	US064100	Ceramic Capacitor-B (chip)	0.0100 50V K		01
C0078	US062470	Ceramic Capacitor-SL(chip)	470P 50V J		01
C0079	US064100	Ceramic Capacitor-B (chip)	0.0100 50V K		01
C0080	UF037100	Electrolytic Cap. (chip)	10 16V		01
* C0081	V9452100	Electrolytic Cap. (chip)	100.00 6.3V		
C0082	US062470	Ceramic Capacitor-SL(chip)	470P 50V J		01
C0083	US064100	Ceramic Capacitor-B (chip)	0.0100 50V K		01
C0084	US062470	Ceramic Capacitor-SL(chip)	470P 50V J		01
C0085	US064100	Ceramic Capacitor-B (chip)	0.0100 50V K		01

*: New Parts

RANK: Japan only

REF NO.	PART NO.	DESCRIPTION	REMARKS	QTY	RANK
C0086	US064100	Ceramic Capacitor-B (chip)	0.0100 50V K		01
C0087	US062470	Ceramic Capacitor-SL(chip)	470P 50V J		01
C0088	US064100	Ceramic Capacitor-B (chip)	0.0100 50V K		01
C0089	US062470	Ceramic Capacitor-SL(chip)	470P 50V J		01
C0090	US064100	Ceramic Capacitor-B (chip)	0.0100 50V K		01
C0091	US064100	Ceramic Capacitor-B (chip)	0.0100 50V K		01
C0092	US062470	Ceramic Capacitor-SL(chip)	470P 50V J		01
C0093	US062470	Ceramic Capacitor-SL(chip)	470P 50V J		01
C0094	US064100	Ceramic Capacitor-B (chip)	0.0100 50V K		01
C0095	US062470	Ceramic Capacitor-SL(chip)	470P 50V J		01
C0096	US064100	Ceramic Capacitor-B (chip)	0.0100 50V K		01
C0097	US064100	Ceramic Capacitor-B (chip)	0.0100 50V K		01
C0098	US062470	Ceramic Capacitor-SL(chip)	470P 50V J		01
C0099	US064100	Ceramic Capacitor-B (chip)	0.0100 50V K		01
C0100	US064100	Ceramic Capacitor-B (chip)	0.0100 50V K		01
C0101	UF037100	Electrolytic Cap. (chip)	10 16V		01
C0102	US062470	Ceramic Capacitor-SL(chip)	470P 50V J		01
C0103	US062470	Ceramic Capacitor-SL(chip)	470P 50V J		01
C0104	US064100	Ceramic Capacitor-B (chip)	0.0100 50V K		01
C0105	US062470	Ceramic Capacitor-SL(chip)	470P 50V J		01
C0106	US062470	Ceramic Capacitor-SL(chip)	470P 50V J		01
C0107	US064100	Ceramic Capacitor-B (chip)	0.0100 50V K		01
* C0108	V9452100	Electrolytic Cap. (chip)	100.00 6.3V		01
C0109	US064100	Ceramic Capacitor-B (chip)	0.0100 50V K		01
C0110	UF037100	Electrolytic Cap. (chip)	10 16V		01
C0111	UF037100	Electrolytic Cap. (chip)	10 16V		01
C0116	US061180	Ceramic Capacitor-CH(chip)	18P 50V J		01
C0117	US061220	Ceramic Capacitor-CH(chip)	22P 50V J		01
C0118	US064100	Ceramic Capacitor-B (chip)	0.0100 50V K		01
C0123	US064100	Ceramic Capacitor-B (chip)	0.0100 50V K		01
C0124	US062470	Ceramic Capacitor-SL(chip)	470P 50V J		01
C0125	US064100	Ceramic Capacitor-B (chip)	0.0100 50V K		01
C0126	US062470	Ceramic Capacitor-SL(chip)	470P 50V J		01
C0127	US064100	Ceramic Capacitor-B (chip)	0.0100 50V K		01
C0128	US062470	Ceramic Capacitor-SL(chip)	470P 50V J		01
C0129	US064100	Ceramic Capacitor-B (chip)	0.0100 50V K		01
C0130	US062470	Ceramic Capacitor-SL(chip)	470P 50V J		01
C0131	UF037100	Electrolytic Cap. (chip)	10 16V		01
C0134	US064100	Ceramic Capacitor-B (chip)	0.0100 50V K		01
C0135	US062470	Ceramic Capacitor-SL(chip)	470P 50V J		01
C0136	US064100	Ceramic Capacitor-B (chip)	0.0100 50V K		01
C0137	US062470	Ceramic Capacitor-SL(chip)	470P 50V J		01
C0138	US064100	Ceramic Capacitor-B (chip)	0.0100 50V K		01
C0139	US062470	Ceramic Capacitor-SL(chip)	470P 50V J		01
C0146	US064100	Ceramic Capacitor-B (chip)	0.0100 50V K		01
C0151	US064100	Ceramic Capacitor-B (chip)	0.0100 50V K		01
C0152	US064100	Ceramic Capacitor-B (chip)	0.0100 50V K		01
C0153	UF037100	Electrolytic Cap. (chip)	10 16V		01
C0156	US064100	Ceramic Capacitor-B (chip)	0.0100 50V K		01
C0161	UF037100	Electrolytic Cap. (chip)	10 16V		01
CN001	VZ581400	Plug	8800 60P SE		05
D0001	VS201100	Diode	D1F60		01
D0002	VS201100	Diode	D1F60		01
EM001	VD542700	LC Filter	DSS6NF31C223Q93A		01
IC001	X2687A00	IC	HD6417709SHF200B	CPU (SH3)	20
* IC001	X2687B00	IC	HD6417709SHF200B		20
IC002	X0176A00	IC	W986432DH-7	SDRAM 64M	15
IC002	X3479A00	IC	K4S643232F-TC/L60		08
* IC004	X4763100	IC	MR27V402E-095TP	MASK ROM 4M PROGRAM	
* IC005	X4195A00	IC	S1L5053F21Y000	GATE ARRAY	
IC006	X0060A00	IC	T8F02TB-0102	SWP50	15
IC007	X0176A00	IC	W986432DH-7	SDRAM 64M	15
IC007	X3479A00	IC	K4S643232F-TC/L60		08
* IC008	X4687100	IC	MR27V402E-087TP	MASK ROM 4M WAVE L	
* IC009	X4688100	IC	MR27V402E-088TP	MASK ROM 4M WAVE H	
IC020	XS963A00	IC	HD74LVC138FP	DECODER	02
IC021	XV890A00	IC	TC74VHC14FT	INVERTER	02
IC022	X0609A00	IC	LMS8117AMP-ADJ	REGULATOR	03
IC023	X0609A00	IC	LMS8117AMP-ADJ	REGULATOR	03
L0001	RD355220	Carbon Resistor (chip)	220.0 63M J		01

*: New Parts

RANK: Japan only

REF NO.	PART NO.	DESCRIPTION	REMARKS	QTY	RANK
L0002	RD354470	Carbon Resistor (chip)	47.0 63M J		01
L0003	RD350000	Carbon Resistor (chip)	0 63M J		01
-0005	RD350000	Carbon Resistor (chip)	0 63M J		01
L0007	RD354470	Carbon Resistor (chip)	47.0 63M J		01
-0024	RD354470	Carbon Resistor (chip)	47.0 63M J		01
L0025	RD355220	Carbon Resistor (chip)	220.0 63M J		01
L0026	RD354470	Carbon Resistor (chip)	47.0 63M J		01
L0027	RD355220	Carbon Resistor (chip)	220.0 63M J		01
L0028	RD350000	Carbon Resistor (chip)	0 63M J		01
-0030	RD350000	Carbon Resistor (chip)	0 63M J		01
L0031	RD354470	Carbon Resistor (chip)	47.0 63M J		01
-0048	RD354470	Carbon Resistor (chip)	47.0 63M J		01
L0072	V2747000	Chip Inductance	BLM18PG600SN1		
* R0001	RF455270	Carbon Resistor (chip)	270.0 D		
* -0003	RF455270	Carbon Resistor (chip)	270.0 D		
R0004	RF454270	Carbon Resistor (chip)	27.0 D		01
* R0005	RF455270	Carbon Resistor (chip)	270.0 D		
R0006	RF454820	Carbon Resistor (chip)	82.0 D		01
R0010	RD355220	Carbon Resistor (chip)	220.0 63M J		01
R0012	RD357100	Carbon Resistor (chip)	10.0K 63M J		01
R0019	RD350000	Carbon Resistor (chip)	0 63M J		01
R0023	RD357100	Carbon Resistor (chip)	10.0K 63M J		01
-0026	RD357100	Carbon Resistor (chip)	10.0K 63M J		01
R0027	RD356100	Carbon Resistor (chip)	1.0K 63M J		01
R0028	RD357100	Carbon Resistor (chip)	10.0K 63M J		01
-0033	RD357100	Carbon Resistor (chip)	10.0K 63M J		01
R0035	RD350000	Carbon Resistor (chip)	0 63M J		01
R0040	RD357100	Carbon Resistor (chip)	10.0K 63M J		01
R0042	RD354390	Carbon Resistor (chip)	39.0 63M J		01
R0043	RD354680	Carbon Resistor (chip)	68.0 63M J		01
R0052	RD354680	Carbon Resistor (chip)	68.0 63M J		01
R0054	RD357100	Carbon Resistor (chip)	10.0K 63M J		01
-0056	RD357100	Carbon Resistor (chip)	10.0K 63M J		01
R0057	RD354680	Carbon Resistor (chip)	68.0 63M J		01
-0066	RD354680	Carbon Resistor (chip)	68.0 63M J		01
R0067	RD357100	Carbon Resistor (chip)	10.0K 63M J		01
R0068	RD350000	Carbon Resistor (chip)	0 63M J		01
R0069	RD357100	Carbon Resistor (chip)	10.0K 63M J		01
R0070	RD357100	Carbon Resistor (chip)	10.0K 63M J		01
R0071	RD354680	Carbon Resistor (chip)	68.0 63M J		01
R0072	RD357100	Carbon Resistor (chip)	10.0K 63M J		01
R0073	RD357100	Carbon Resistor (chip)	10.0K 63M J		01
R0074	RD350000	Carbon Resistor (chip)	0 63M J		01
R0075	RD357100	Carbon Resistor (chip)	10.0K 63M J		01
R0076	RD354680	Carbon Resistor (chip)	68.0 63M J		01
R0077	RD357100	Carbon Resistor (chip)	10.0K 63M J		01
R0078	RD354680	Carbon Resistor (chip)	68.0 63M J		01
R0079	RD357100	Carbon Resistor (chip)	10.0K 63M J		01
R0080	RD354680	Carbon Resistor (chip)	68.0 63M J		01
R0081	RD357100	Carbon Resistor (chip)	10.0K 63M J		01
R0082	RD354680	Carbon Resistor (chip)	68.0 63M J		01
R0083	RD357100	Carbon Resistor (chip)	10.0K 63M J		01
R0084	RD357100	Carbon Resistor (chip)	10.0K 63M J		01
R0085	RD354390	Carbon Resistor (chip)	39.0 63M J		01
R0086	RD354680	Carbon Resistor (chip)	68.0 63M J		01
R0087	RD357100	Carbon Resistor (chip)	10.0K 63M J		01
-0090	RD357100	Carbon Resistor (chip)	10.0K 63M J		01
R0092	RD354680	Carbon Resistor (chip)	68.0 63M J		01
R0093	RD357100	Carbon Resistor (chip)	10.0K 63M J		01
R0094	RD354680	Carbon Resistor (chip)	68.0 63M J		01
-0096	RD354680	Carbon Resistor (chip)	68.0 63M J		01
R0097	RD357100	Carbon Resistor (chip)	10.0K 63M J		01
R0098	RD354680	Carbon Resistor (chip)	68.0 63M J		01
R0099	RD357100	Carbon Resistor (chip)	10.0K 63M J		01
-0101	RD357100	Carbon Resistor (chip)	10.0K 63M J		01
R0102	RD355330	Carbon Resistor (chip)	330.0 63M J		01
R0103	RD357100	Carbon Resistor (chip)	10.0K 63M J		01
R0104	RD355220	Carbon Resistor (chip)	220.0 63M J		01
R0105	RD357100	Carbon Resistor (chip)	10.0K 63M J		01
R0106	RD357100	Carbon Resistor (chip)	10.0K 63M J		01

*: New Parts

RANK: Japan only

REF NO.	PART NO.	DESCRIPTION		REMARKS	QTY	RANK
R0107	RD354680	Carbon Resistor (chip)	68.0 63M J			01
-0109	RD354680	Carbon Resistor (chip)	68.0 63M J			01
R0110	RD357100	Carbon Resistor (chip)	10.0K 63M J			01
-0112	RD357100	Carbon Resistor (chip)	10.0K 63M J			01
R0114	RD357100	Carbon Resistor (chip)	10.0K 63M J			01
R0115	RD350000	Carbon Resistor (chip)	0 63M J			01
R0116	RD350000	Carbon Resistor (chip)	0 63M J			01
RA001	RE047100	Resistor Array	10KX4			01
RA002	RE048100	Resistor Array	100KX4			01
RA003	RE044680	Resistor Array	68X4			01
RA004	RE048100	Resistor Array	100KX4			01
RA005	RE044680	Resistor Array	68X4			01
RA006	RE048100	Resistor Array	100KX4			01
RA007	RE044680	Resistor Array	68X4			01
RA008	RE048100	Resistor Array	100KX4			01
RA009	RE044680	Resistor Array	68X4			01
RA010	RE048100	Resistor Array	100KX4			01
RA011	RE044680	Resistor Array	68X4			01
-015	RE044680	Resistor Array	68X4			01
RA016	RE044390	Resistor Array	39X4			01
-022	RE044390	Resistor Array	39X4			01
RA023	RE044560	Resistor Array	56X4			01
RA024	RE044560	Resistor Array	56X4			01
RA025	RE044680	Resistor Array	68X4			01
RA026	RE044560	Resistor Array	56X4			01
RA027	RE044560	Resistor Array	56X4			01
RA028	RE044680	Resistor Array	68X4			01
RA029	RE044560	Resistor Array	56X4			01
RA030	RE044560	Resistor Array	56X4			01
RA031	RE044680	Resistor Array	68X4			01
RA032	RE044560	Resistor Array	56X4			01
RA033	RE044560	Resistor Array	56X4			01
RA034	RE047100	Resistor Array	10KX4			01
-038	RE047100	Resistor Array	10KX4			01
RA039	RE044390	Resistor Array	39X4			01
-042	RE044390	Resistor Array	39X4			01
RA047	RE044560	Resistor Array	56X4			01
-054	RE044560	Resistor Array	56X4			01
* X0001	WB551700	Quartz Crystal Unit	16.666MHz SMD-49			
	--	Circuit Board	TG2			
* C0001	WD079300	Circuit Board	TG2A	ELS-01C (WB85680)(X4382CO) with Tape (X4382CO)		
C0001	UF118220	Electrolytic Cap. (chip)	220 6.3V UUR0J2			01
C0002	US135100	Ceramic Capacitor-F (chip)	0.1000 16V Z			01
C0003	US064100	Ceramic Capacitor-B (chip)	0.0100 50V K			01
C0004	UF037100	Electrolytic Cap. (chip)	10 16V			01
C0005	UF037100	Electrolytic Cap. (chip)	10 16V			01
C0006	US135100	Ceramic Capacitor-F (chip)	0.1000 16V Z			01
C0007	US135100	Ceramic Capacitor-F (chip)	0.1000 16V Z			01
C0008	UF037100	Electrolytic Cap. (chip)	10 16V			01
C0009	US064100	Ceramic Capacitor-B (chip)	0.0100 50V K			01
C0012	US064100	Ceramic Capacitor-B (chip)	0.0100 50V K			01
C0013	US064100	Ceramic Capacitor-B (chip)	0.0100 50V K			01
C0014	US135100	Ceramic Capacitor-F (chip)	0.1000 16V Z			01
C0015	US135100	Ceramic Capacitor-F (chip)	0.1000 16V Z			01
C0016	US064100	Ceramic Capacitor-B (chip)	0.0100 50V K			01
* C0017	V9452100	Electrolytic Cap. (chip)	100.00 6.3V			
* C0018	V9454200	Electrolytic Cap. (chip)	220.00 6.3V			
C0019	US064100	Ceramic Capacitor-B (chip)	0.0100 50V K			01
C0020	UF037100	Electrolytic Cap. (chip)	10 16V			01
C0021	US064100	Ceramic Capacitor-B (chip)	0.0100 50V K			01
C0022	US064100	Ceramic Capacitor-B (chip)	0.0100 50V K			01
C0023	UF037100	Electrolytic Cap. (chip)	10 16V			01
C0024	US135100	Ceramic Capacitor-F (chip)	0.1000 16V Z			01
C0025	US062470	Ceramic Capacitor-SL(chip)	470P 50V J			01
C0026	US064100	Ceramic Capacitor-B (chip)	0.0100 50V K			01
-0028	US064100	Ceramic Capacitor-B (chip)	0.0100 50V K			01
C0030	US062470	Ceramic Capacitor-SL(chip)	470P 50V J			01
C0031	US064100	Ceramic Capacitor-B (chip)	0.0100 50V K			01
C0032	US135100	Ceramic Capacitor-F (chip)	0.1000 16V Z			01

*: New Parts

RANK: Japan only

REF NO.	PART NO.	DESCRIPTION	REMARKS	QTY	RANK
* C0033	V9452100	Electrolytic Cap. (chip)	100.00 6.3V		
C0034	US062470	Ceramic Capacitor-SL(chip)	470P 50V J		01
C0035	US064100	Ceramic Capacitor-B (chip)	0.0100 50V K		01
C0036	US062470	Ceramic Capacitor-SL(chip)	470P 50V J		01
C0037	US064100	Ceramic Capacitor-B (chip)	0.0100 50V K		01
C0038	US062470	Ceramic Capacitor-SL(chip)	470P 50V J		01
C0039	US064100	Ceramic Capacitor-B (chip)	0.0100 50V K		01
C0040	US062470	Ceramic Capacitor-SL(chip)	470P 50V J		01
C0041	US064100	Ceramic Capacitor-B (chip)	0.0100 50V K		01
C0042	UF037100	Electrolytic Cap. (chip)	10 16V		01
* C0043	V9452100	Electrolytic Cap. (chip)	100.00 6.3V		
C0044	US062470	Ceramic Capacitor-SL(chip)	470P 50V J		01
C0045	US064100	Ceramic Capacitor-B (chip)	0.0100 50V K		01
C0046	US062470	Ceramic Capacitor-SL(chip)	470P 50V J		01
C0047	US064100	Ceramic Capacitor-B (chip)	0.0100 50V K		01
C0048	US064100	Ceramic Capacitor-B (chip)	0.0100 50V K		01
C0049	US062470	Ceramic Capacitor-SL(chip)	470P 50V J		01
C0050	US064100	Ceramic Capacitor-B (chip)	0.0100 50V K		01
C0051	US064100	Ceramic Capacitor-B (chip)	0.0100 50V K		01
C0052	US062470	Ceramic Capacitor-SL(chip)	470P 50V J		01
C0053	US064100	Ceramic Capacitor-B (chip)	0.0100 50V K		01
C0054	US062470	Ceramic Capacitor-SL(chip)	470P 50V J		01
C0055	US064100	Ceramic Capacitor-B (chip)	0.0100 50V K		01
C0056	US062470	Ceramic Capacitor-SL(chip)	470P 50V J		01
C0057	US064100	Ceramic Capacitor-B (chip)	0.0100 50V K		01
C0058	US062470	Ceramic Capacitor-SL(chip)	470P 50V J		01
C0059	US064100	Ceramic Capacitor-B (chip)	0.0100 50V K		01
C0060	US062470	Ceramic Capacitor-SL(chip)	470P 50V J		01
C0061	US064100	Ceramic Capacitor-B (chip)	0.0100 50V K		01
C0062	US062470	Ceramic Capacitor-SL(chip)	470P 50V J		01
C0063	US064100	Ceramic Capacitor-B (chip)	0.0100 50V K		01
C0064	US062470	Ceramic Capacitor-SL(chip)	470P 50V J		01
C0065	US064100	Ceramic Capacitor-B (chip)	0.0100 50V K		01
C0066	US062470	Ceramic Capacitor-SL(chip)	470P 50V J		01
C0067	UF037100	Electrolytic Cap. (chip)	10 16V		01
C0068	UF037100	Electrolytic Cap. (chip)	10 16V		01
C0069	US062470	Ceramic Capacitor-SL(chip)	470P 50V J		01
C0070	US062470	Ceramic Capacitor-SL(chip)	470P 50V J		01
C0071	US064100	Ceramic Capacitor-B (chip)	0.0100 50V K		01
-0073	US064100	Ceramic Capacitor-B (chip)	0.0100 50V K		01
C0074	US062470	Ceramic Capacitor-SL(chip)	470P 50V J		01
C0075	US064100	Ceramic Capacitor-B (chip)	0.0100 50V K		01
C0076	US062470	Ceramic Capacitor-SL(chip)	470P 50V J		01
C0077	US064100	Ceramic Capacitor-B (chip)	0.0100 50V K		01
C0078	US062470	Ceramic Capacitor-SL(chip)	470P 50V J		01
C0079	US064100	Ceramic Capacitor-B (chip)	0.0100 50V K		01
C0080	US062470	Ceramic Capacitor-SL(chip)	470P 50V J		01
C0081	US064100	Ceramic Capacitor-B (chip)	0.0100 50V K		01
C0082	US062470	Ceramic Capacitor-SL(chip)	470P 50V J		01
C0083	US064100	Ceramic Capacitor-B (chip)	0.0100 50V K		01
C0084	US062470	Ceramic Capacitor-SL(chip)	470P 50V J		01
C0085	US062470	Ceramic Capacitor-SL(chip)	470P 50V J		01
C0086	US064100	Ceramic Capacitor-B (chip)	0.0100 50V K		01
C0087	US062470	Ceramic Capacitor-SL(chip)	470P 50V J		01
C0088	US064100	Ceramic Capacitor-B (chip)	0.0100 50V K		01
C0089	US064100	Ceramic Capacitor-B (chip)	0.0100 50V K		01
C0090	US062470	Ceramic Capacitor-SL(chip)	470P 50V J		01
C0091	US064100	Ceramic Capacitor-B (chip)	0.0100 50V K		01
C0092	UF037100	Electrolytic Cap. (chip)	10 16V		01
C0093	US064100	Ceramic Capacitor-B (chip)	0.0100 50V K		01
C0094	US062470	Ceramic Capacitor-SL(chip)	470P 50V J		01
C0095	US064100	Ceramic Capacitor-B (chip)	0.0100 50V K		01
C0096	US062470	Ceramic Capacitor-SL(chip)	470P 50V J		01
C0097	US064100	Ceramic Capacitor-B (chip)	0.0100 50V K		01
C0098	US062470	Ceramic Capacitor-SL(chip)	470P 50V J		01
C0099	US064100	Ceramic Capacitor-B (chip)	0.0100 50V K		01
C0100	US062470	Ceramic Capacitor-SL(chip)	470P 50V J		01
C0101	US064100	Ceramic Capacitor-B (chip)	0.0100 50V K		01
C0102	US062470	Ceramic Capacitor-SL(chip)	470P 50V J		01
C0103	US064100	Ceramic Capacitor-B (chip)	0.0100 50V K		01

*: New Parts

RANK: Japan only

REF NO.	PART NO.	DESCRIPTION		REMARKS	QTY	RANK
C0104	US062470	Ceramic Capacitor-SL(chip)	470P 50V J			01
C0105	US064100	Ceramic Capacitor-B (chip)	0.0100 50V K			01
C0106	US062470	Ceramic Capacitor-SL(chip)	470P 50V J			01
C0107	US064100	Ceramic Capacitor-B (chip)	0.0100 50V K			01
C0108	US062470	Ceramic Capacitor-SL(chip)	470P 50V J			01
C0109	US064100	Ceramic Capacitor-B (chip)	0.0100 50V K			01
C0110	US062470	Ceramic Capacitor-SL(chip)	470P 50V J			01
C0111	US064100	Ceramic Capacitor-B (chip)	0.0100 50V K			01
C0112	US062470	Ceramic Capacitor-SL(chip)	470P 50V J			01
C0113	US064100	Ceramic Capacitor-B (chip)	0.0100 50V K			01
C0114	US062470	Ceramic Capacitor-SL(chip)	470P 50V J			01
C0115	US064100	Ceramic Capacitor-B (chip)	0.0100 50V K			01
C0116	US062470	Ceramic Capacitor-SL(chip)	470P 50V J			01
C0117	US064100	Ceramic Capacitor-B (chip)	0.0100 50V K			01
C0118	US062470	Ceramic Capacitor-SL(chip)	470P 50V J			01
C0119	US064100	Ceramic Capacitor-B (chip)	0.0100 50V K			01
C0120	US062470	Ceramic Capacitor-SL(chip)	470P 50V J			01
-0122	US062470	Ceramic Capacitor-SL(chip)	470P 50V J			01
C0123	UF018100	Electrolytic Cap. (chip)	100 6.3V			01
C0124	UF018100	Electrolytic Cap. (chip)	100 6.3V			01
C0125	US062470	Ceramic Capacitor-SL(chip)	470P 50V J			01
C0126	US064100	Ceramic Capacitor-B (chip)	0.0100 50V K			01
C0127	US062470	Ceramic Capacitor-SL(chip)	470P 50V J			01
C0128	US064100	Ceramic Capacitor-B (chip)	0.0100 50V K			01
* C0129	V9452100	Electrolytic Cap. (chip)	100.00 6.3V			01
C0130	US064100	Ceramic Capacitor-B (chip)	0.0100 50V K			01
C0131	US061180	Ceramic Capacitor-CH(chip)	18P 50V J			01
C0132	US061220	Ceramic Capacitor-CH(chip)	22P 50V J			01
C0133	US064100	Ceramic Capacitor-B (chip)	0.0100 50V K			01
C0134	US062470	Ceramic Capacitor-SL(chip)	470P 50V J			01
C0135	US064100	Ceramic Capacitor-B (chip)	0.0100 50V K			01
C0136	US062470	Ceramic Capacitor-SL(chip)	470P 50V J			01
C0137	US064100	Ceramic Capacitor-B (chip)	0.0100 50V K			01
C0138	US062470	Ceramic Capacitor-SL(chip)	470P 50V J			01
C0139	US064100	Ceramic Capacitor-B (chip)	0.0100 50V K			01
C0140	US062470	Ceramic Capacitor-SL(chip)	470P 50V J			01
C0141	US064100	Ceramic Capacitor-B (chip)	0.0100 50V K			01
C0142	US062470	Ceramic Capacitor-SL(chip)	470P 50V J			01
C0143	US064100	Ceramic Capacitor-B (chip)	0.0100 50V K			01
C0144	US062470	Ceramic Capacitor-SL(chip)	470P 50V J			01
C0145	US064100	Ceramic Capacitor-B (chip)	0.0100 50V K			01
C0146	US062470	Ceramic Capacitor-SL(chip)	470P 50V J			01
C0147	US064100	Ceramic Capacitor-B (chip)	0.0100 50V K			01
C0148	US062470	Ceramic Capacitor-SL(chip)	470P 50V J			01
C0149	US064100	Ceramic Capacitor-B (chip)	0.0100 50V K			01
C0150	US062470	Ceramic Capacitor-SL(chip)	470P 50V J			01
C0151	US064100	Ceramic Capacitor-B (chip)	0.0100 50V K			01
C0152	US062470	Ceramic Capacitor-SL(chip)	470P 50V J			01
C0153	US064100	Ceramic Capacitor-B (chip)	0.0100 50V K			01
C0154	US062470	Ceramic Capacitor-SL(chip)	470P 50V J			01
C0155	US064100	Ceramic Capacitor-B (chip)	0.0100 50V K			01
C0156	US062470	Ceramic Capacitor-SL(chip)	470P 50V J			01
C0157	US064100	Ceramic Capacitor-B (chip)	0.0100 50V K			01
C0158	US062470	Ceramic Capacitor-SL(chip)	470P 50V J			01
C0159	US064100	Ceramic Capacitor-B (chip)	0.0100 50V K			01
C0160	US062470	Ceramic Capacitor-SL(chip)	470P 50V J			01
C0161	UF018100	Electrolytic Cap. (chip)	100 6.3V			01
C0162	UF018100	Electrolytic Cap. (chip)	100 6.3V			01
C0163	US064100	Ceramic Capacitor-B (chip)	0.0100 50V K			01
C0164	US062470	Ceramic Capacitor-SL(chip)	470P 50V J			01
C0165	US064100	Ceramic Capacitor-B (chip)	0.0100 50V K			01
C0166	US062470	Ceramic Capacitor-SL(chip)	470P 50V J			01
C0167	US064100	Ceramic Capacitor-B (chip)	0.0100 50V K			01
C0168	US062470	Ceramic Capacitor-SL(chip)	470P 50V J			01
C0169	US064100	Ceramic Capacitor-B (chip)	0.0100 50V K			01
C0170	US062470	Ceramic Capacitor-SL(chip)	470P 50V J			01
C0171	US064100	Ceramic Capacitor-B (chip)	0.0100 50V K			01
C0172	UF037100	Electrolytic Cap. (chip)	10 16V			01
C0173	US064100	Ceramic Capacitor-B (chip)	0.0100 50V K			01
C0174	US062470	Ceramic Capacitor-SL(chip)	470P 50V J			01

*: New Parts

RANK: Japan only

REF NO.	PART NO.	DESCRIPTION	REMARKS	QTY	RANK
C0175	US064100	Ceramic Capacitor-B (chip)	0.0100 50V K		01
C0176	US062470	Ceramic Capacitor-SL(chip)	470P 50V J		01
C0177	US064100	Ceramic Capacitor-B (chip)	0.0100 50V K		01
C0178	US062470	Ceramic Capacitor-SL(chip)	470P 50V J		01
C0179	US064100	Ceramic Capacitor-B (chip)	0.0100 50V K		01
C0182	US064100	Ceramic Capacitor-B (chip)	0.0100 50V K		01
C0183	US064100	Ceramic Capacitor-B (chip)	0.0100 50V K		01
C0186	US064100	Ceramic Capacitor-B (chip)	0.0100 50V K		01
-0189	US064100	Ceramic Capacitor-B (chip)	0.0100 50V K		01
C0192	UF037100	Electrolytic Cap. (chip)	10 16V		01
C0193	UF037100	Electrolytic Cap. (chip)	10 16V		01
C0194	US064100	Ceramic Capacitor-B (chip)	0.0100 50V K		01
C0195	US064100	Ceramic Capacitor-B (chip)	0.0100 50V K		01
C0198	UF037100	Electrolytic Cap. (chip)	10 16V		01
C0201	US064100	Ceramic Capacitor-B (chip)	0.0100 50V K		01
-0204	US064100	Ceramic Capacitor-B (chip)	0.0100 50V K		01
C0211	US064100	Ceramic Capacitor-B (chip)	0.0100 50V K		01
-0214	US064100	Ceramic Capacitor-B (chip)	0.0100 50V K		01
C0217	UF037100	Electrolytic Cap. (chip)	10 16V		01
C0218	UF037100	Electrolytic Cap. (chip)	10 16V		01
C0223	US061220	Ceramic Capacitor-CH(chip)	22P 50V J		01
C0224	US061220	Ceramic Capacitor-CH(chip)	22P 50V J		01
CN001	VZ581400	Plug	8800 60P SE		05
CN003	V6478900	Connector, FFC/FPC	52808 26P TE		01
* CN006	VY939100	Connector, FFC	52610 8P TE		01
D0001	VS201100	Diode	D1F60		01
-0003	VS201100	Diode	D1F60		01
EM002	VD542700	LC Filter	DSS6NF31C223Q93A		01
IC001	X2687A00	IC	HD6417709SHF200B	} CPU (SH3)	20
* IC001	X2687B00	IC	HD6417709SHF200B		20
IC002	X0060A00	IC	T8F02TB-0102	SWP50	15
IC003	X0060A00	IC	T8F02TB-0102	SWP50	15
* IC004	X4195A00	IC	S1L50553F21Y000	GATE ARRAY	15
IC005	X0176A00	IC	W986432DH-7	} SDRAM 64M	15
-007	X0176A00	IC	W986432DH-7		SDRAM 64M
IC005	X3479A00	IC	K4S643232F-TC/L60	}	08
-007	X3479A00	IC	K4S643232F-TC/L60		08
* IC009	X4763100	IC	MR27V402E-095TP	MASK ROM 4M PROGRAM	02
* IC011	X4755100	IC	23C128000BL-812	MASK ROM 128M WAVE L1	02
* IC013	X4756100	IC	23C128000BL-813	MASK ROM 128M WAVE L2	02
* IC015	X4757100	IC	23C128000BL-814	MASK ROM 128M WAVE L3	02
* IC017	X4759100	IC	MX23L12810TC-10	MASK ROM 128M WAVE H1	02
* IC019	X4760100	IC	MX23L12810TC-10	MASK ROM 128M WAVE H2	02
* IC021	X4761100	IC	MX23L12810TC-10	MASK ROM 128M WAVE H3	02
IC022	XS963A00	IC	HD74LVC138FP	DECODER	02
IC023	XV890A00	IC	TC74VHC14FT	INVERTER	02
IC024	X0609A00	IC	LMS8117AMP-ADJ	REGULATOR	03
-026	X0609A00	IC	LMS8117AMP-ADJ	REGULATOR	03
L0001	RD355330	Carbon Resistor (chip)	330.0 63M J		01
L0002	RD354470	Carbon Resistor (chip)	47.0 63M J		01
L0003	RD350000	Carbon Resistor (chip)	0 63M J		01
-0005	RD350000	Carbon Resistor (chip)	0 63M J		01
L0006	RD354470	Carbon Resistor (chip)	47.0 63M J		01
-0042	RD354470	Carbon Resistor (chip)	47.0 63M J		01
L0043	VY657200	Chip Inductance	600 BK1608HM601		01
-0046	VY657200	Chip Inductance	600 BK1608HM601		01
L0047	RD355330	Carbon Resistor (chip)	330.0 63M J		01
L0048	RD354470	Carbon Resistor (chip)	47.0 63M J		01
L0049	RD355330	Carbon Resistor (chip)	330.0 63M J		01
L0050	RD350000	Carbon Resistor (chip)	0 63M J		01
-0052	RD350000	Carbon Resistor (chip)	0 63M J		01
L0053	RD354470	Carbon Resistor (chip)	47.0 63M J		01
-0070	RD354470	Carbon Resistor (chip)	47.0 63M J		01
L0071	V2747000	Chip Inductance	BLM18PG600SN1		01
R0001	RD355330	Carbon Resistor (chip)	330.0 63M J		01
* R0006	RF455270	Carbon Resistor (chip)	270.0 D		01
* R0007	RF455270	Carbon Resistor (chip)	270.0 D		01
R0008	RF454270	Carbon Resistor (chip)	27.0 D		01
R0009	RF454820	Carbon Resistor (chip)	82.0 D		01
* R0010	RF455270	Carbon Resistor (chip)	270.0 D		01

*: New Parts

RANK: Japan only

REF NO.	PART NO.	DESCRIPTION	REMARKS	QTY	RANK
* R0011	RF455270	Carbon Resistor (chip)	270.0 D		
R0012	RD357100	Carbon Resistor (chip)	10.0K 63M J		01
R0013	RD357100	Carbon Resistor (chip)	10.0K 63M J		01
R0014	RF355270	Carbon Resistor (chip)	270.0 D 1608		01
* R0015	RF354270	Carbon Resistor (chip)	27.0 D 1608		
R0016	RF355270	Carbon Resistor (chip)	270.0 D 1608		01
R0017	RD354680	Carbon Resistor (chip)	68.0 63M J		01
-0022	RD354680	Carbon Resistor (chip)	68.0 63M J		01
R0023	RD350000	Carbon Resistor (chip)	0 63M J		01
R0025	RD350000	Carbon Resistor (chip)	0 63M J		01
R0026	RD350000	Carbon Resistor (chip)	0 63M J		01
R0028	RD354680	Carbon Resistor (chip)	68.0 63M J		01
R0029	RD356100	Carbon Resistor (chip)	1.0K 63M J		01
R0030	RD354680	Carbon Resistor (chip)	68.0 63M J		01
R0031	RD357100	Carbon Resistor (chip)	10.0K 63M J		01
-0036	RD357100	Carbon Resistor (chip)	10.0K 63M J		01
R0037	RD354680	Carbon Resistor (chip)	68.0 63M J		01
-0040	RD354680	Carbon Resistor (chip)	68.0 63M J		01
R0041	RD357100	Carbon Resistor (chip)	10.0K 63M J		01
-0043	RD357100	Carbon Resistor (chip)	10.0K 63M J		01
R0044	RD354680	Carbon Resistor (chip)	68.0 63M J		01
-0046	RD354680	Carbon Resistor (chip)	68.0 63M J		01
R0055	RD354680	Carbon Resistor (chip)	68.0 63M J		01
R0056	RD354680	Carbon Resistor (chip)	68.0 63M J		01
R0058	RD357100	Carbon Resistor (chip)	10.0K 63M J		01
R0059	RD357100	Carbon Resistor (chip)	10.0K 63M J		01
R0060	RD350000	Carbon Resistor (chip)	0 63M J		01
R0061	RD357100	Carbon Resistor (chip)	10.0K 63M J		01
-0068	RD357100	Carbon Resistor (chip)	10.0K 63M J		01
R0070	RD357100	Carbon Resistor (chip)	10.0K 63M J		01
R0071	RD354680	Carbon Resistor (chip)	68.0 63M J		01
R0072	RD357100	Carbon Resistor (chip)	10.0K 63M J		01
R0074	RD354680	Carbon Resistor (chip)	68.0 63M J		01
-0078	RD354680	Carbon Resistor (chip)	68.0 63M J		01
R0079	RD357100	Carbon Resistor (chip)	10.0K 63M J		01
R0080	RD354680	Carbon Resistor (chip)	68.0 63M J		01
R0081	RD354560	Carbon Resistor (chip)	56.0 63M J		01
R0082	RD354680	Carbon Resistor (chip)	68.0 63M J		01
R0083	RD357100	Carbon Resistor (chip)	10.0K 63M J		01
-0086	RD357100	Carbon Resistor (chip)	10.0K 63M J		01
R0087	RD354680	Carbon Resistor (chip)	68.0 63M J		01
R0088	RD354680	Carbon Resistor (chip)	68.0 63M J		01
R0089	RD357100	Carbon Resistor (chip)	10.0K 63M J		01
-0094	RD357100	Carbon Resistor (chip)	10.0K 63M J		01
R0095	RD355330	Carbon Resistor (chip)	330.0 63M J		01
R0096	RD355220	Carbon Resistor (chip)	220.0 63M J		01
R0097	RD354680	Carbon Resistor (chip)	68.0 63M J		01
-0099	RD354680	Carbon Resistor (chip)	68.0 63M J		01
R0100	RD357100	Carbon Resistor (chip)	10.0K 63M J		01
-0102	RD357100	Carbon Resistor (chip)	10.0K 63M J		01
R0103	RD354680	Carbon Resistor (chip)	68.0 63M J		01
-0114	RD354680	Carbon Resistor (chip)	68.0 63M J		01
R0115	RD350000	Carbon Resistor (chip)	0 63M J		01
-0120	RD350000	Carbon Resistor (chip)	0 63M J		01
R0123	RD354680	Carbon Resistor (chip)	68.0 63M J		01
-0130	RD354680	Carbon Resistor (chip)	68.0 63M J		01
R0132	RD350000	Carbon Resistor (chip)	0 63M J		01
R0133	RD357100	Carbon Resistor (chip)	10.0K 63M J		01
R0136	RD354560	Carbon Resistor (chip)	56.0 63M J		01
R0137	RD354820	Carbon Resistor (chip)	82.0 63M J		01
R0138	RD354560	Carbon Resistor (chip)	56.0 63M J		01
R0139	RD354820	Carbon Resistor (chip)	82.0 63M J		01
R0140	RD357100	Carbon Resistor (chip)	10.0K 63M J		01
-0143	RD357100	Carbon Resistor (chip)	10.0K 63M J		01
R0144	RD350000	Carbon Resistor (chip)	0 63M J		01
R0147	RD350000	Carbon Resistor (chip)	0 63M J		01
R0148	RD350000	Carbon Resistor (chip)	0 63M J		01
RA001	RE047100	Resistor Array	10KX4		01
RA002	RE047100	Resistor Array	10KX4		01
RA003	RE048100	Resistor Array	100KX4		01

*: New Parts

RANK: Japan only

REF NO.	PART NO.	DESCRIPTION		REMARKS	QTY	RANK
RA004	RE044680	Resistor Array	68X4			01
RA005	RE044680	Resistor Array	68X4			01
RA006	RE048100	Resistor Array	100KX4			01
RA007	RE044680	Resistor Array	68X4			01
RA008	RE044680	Resistor Array	68X4			01
RA009	RE048100	Resistor Array	100KX4			01
RA010	RE044680	Resistor Array	68X4			01
RA011	RE044680	Resistor Array	68X4			01
RA012	RE048100	Resistor Array	100KX4			01
RA013	RE044680	Resistor Array	68X4			01
RA014	RE044680	Resistor Array	68X4			01
RA015	RE048100	Resistor Array	100KX4			01
RA016	RE044680	Resistor Array	68X4			01
-021	RE044680	Resistor Array	68X4			01
RA022	RE044390	Resistor Array	39X4			01
-025	RE044390	Resistor Array	39X4			01
RA026	RE047100	Resistor Array	10KX4			01
RA027	RE044390	Resistor Array	39X4			01
-030	RE044390	Resistor Array	39X4			01
RA031	RE044680	Resistor Array	68X4			01
RA032	RE044680	Resistor Array	68X4			01
RA035	RE047100	Resistor Array	10KX4			01
RA040	RE047100	Resistor Array	10KX4			01
RA041	RE047100	Resistor Array	10KX4			01
RA044	RE047100	Resistor Array	10KX4			01
RA045	RE047100	Resistor Array	10KX4			01
RA054	RE044680	Resistor Array	68X4			01
-069	RE044680	Resistor Array	68X4			01
RA070	RE044560	Resistor Array	56X4			01
-077	RE044560	Resistor Array	56X4			01
* X0001	WB551700	Quartz Crystal Unit	16.666MHz SMD-49			
*	WB544600	Circuit Board	VA	ELS-01C (WB90540)(X4437B0)		
C0001	US064100	Ceramic Capacitor-B (chip)	0.0100 50V K			01
C0002	US064100	Ceramic Capacitor-B (chip)	0.0100 50V K			01
C0003	UF118220	Electrolytic Cap. (chip)	220 6.3V UUR0J2			01
C0004	UF037100	Electrolytic Cap. (chip)	10 16V			01
C0005	US064100	Ceramic Capacitor-B (chip)	0.0100 50V K			01
-0012	US064100	Ceramic Capacitor-B (chip)	0.0100 50V K			01
C0013	UF038100	Electrolytic Cap. (chip)	100 16V			01
C0014	US061270	Ceramic Capacitor-CH(chip)	27P 50V J			01
C0015	US061220	Ceramic Capacitor-CH(chip)	22P 50V J			01
C0016	UF038100	Electrolytic Cap. (chip)	100 16V			01
C0017	US064100	Ceramic Capacitor-B (chip)	0.0100 50V K			01
C0018	US064100	Ceramic Capacitor-B (chip)	0.0100 50V K			01
C0019	UF037100	Electrolytic Cap. (chip)	10 16V			01
C0020	US064100	Ceramic Capacitor-B (chip)	0.0100 50V K			01
-0024	US064100	Ceramic Capacitor-B (chip)	0.0100 50V K			01
C0025	US061330	Ceramic Capacitor-CH(chip)	33P 50V J			01
CN001	VT389300	Base Post Connector	PH 12P TE			02
* CN002	VY939100	Connector, FFC	52610 8P TE			
IC001	XV890A00	IC	TC74VHC14FT	INVERTER		02
IC002	XV890A00	IC	TC74VHC14FT	INVERTER		02
IC003	XP691A00	IC	HD6413002F16	CPU		10
IC004	XV892A00	IC	TC74VHC74FT	D-FF		01
IC005	XV892A00	IC	TC74VHC74FT	D-FF		01
IC006	XM662A00	IC	YSS217-B-F	DSP-V		19
* IC008	X4994100	IC	MX23C1611TC-10	MASK ROM 16M PROGRAM		
IC011	XT138A00	IC	UPD431000AGW-70LL	SRAM 1M		07
IC012	XR115A00	IC	UPD43256BGU-70L			08
IC012	XW433A00	IC	CY62256LL-70SNCT	SRAM 256K		05
* IC012	X4318A00	IC	CY62256LL70-SNCT			
IC013	XR115A00	IC	UPD43256BGU-70L			08
IC013	XW433A00	IC	CY62256LL-70SNCT	SRAM 256K		05
* IC013	X4318A00	IC	CY62256LL70-SNCT			
R0001	RD357470	Carbon Resistor (chip)	47.0K 63M J			01
R0002	RD355100	Carbon Resistor (chip)	100.0 63M J			01
R0003	RD357470	Carbon Resistor (chip)	47.0K 63M J			01
R0004	RD355100	Carbon Resistor (chip)	100.0 63M J			01
R0005	RD355100	Carbon Resistor (chip)	100.0 63M J			01

*: New Parts

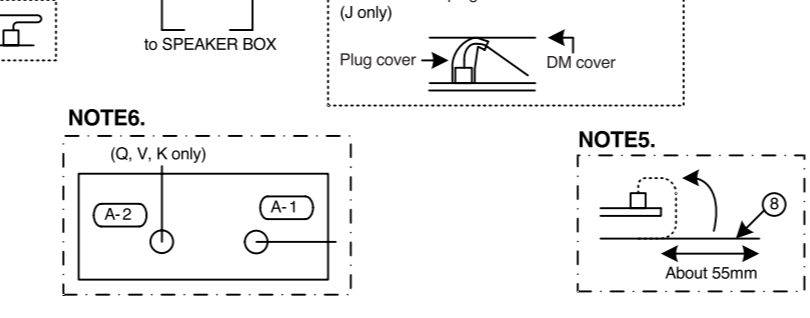
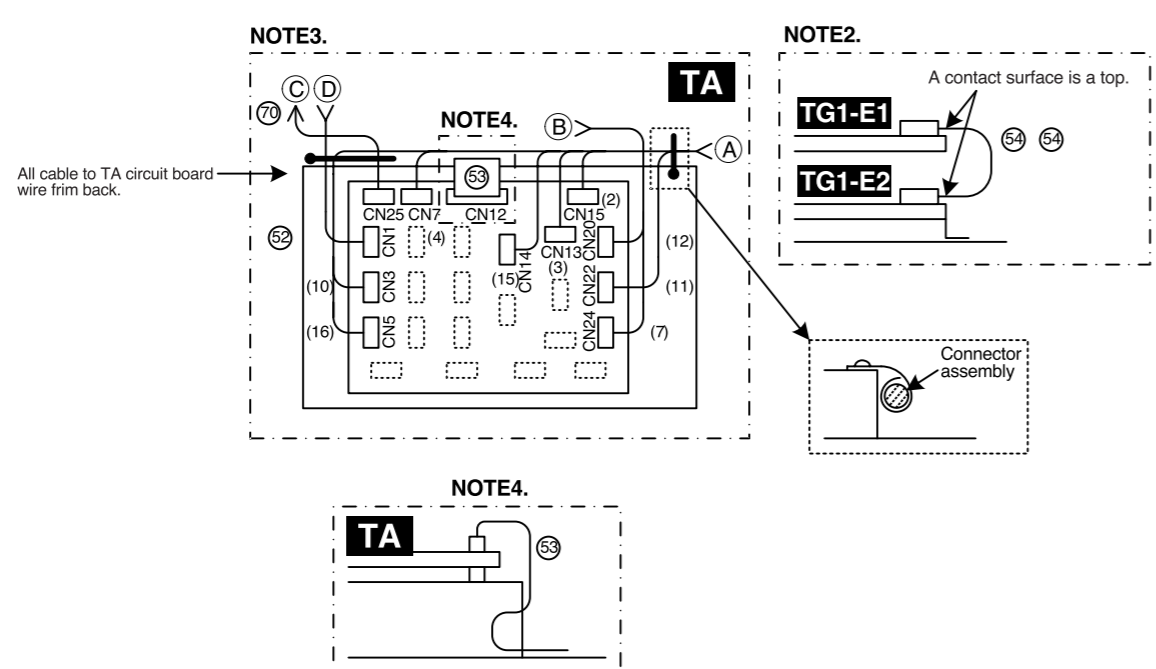
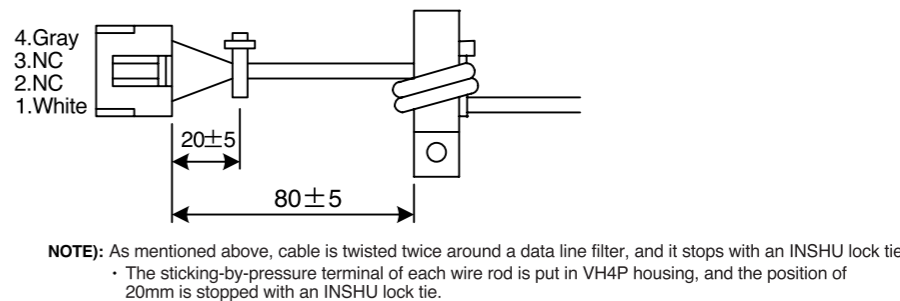
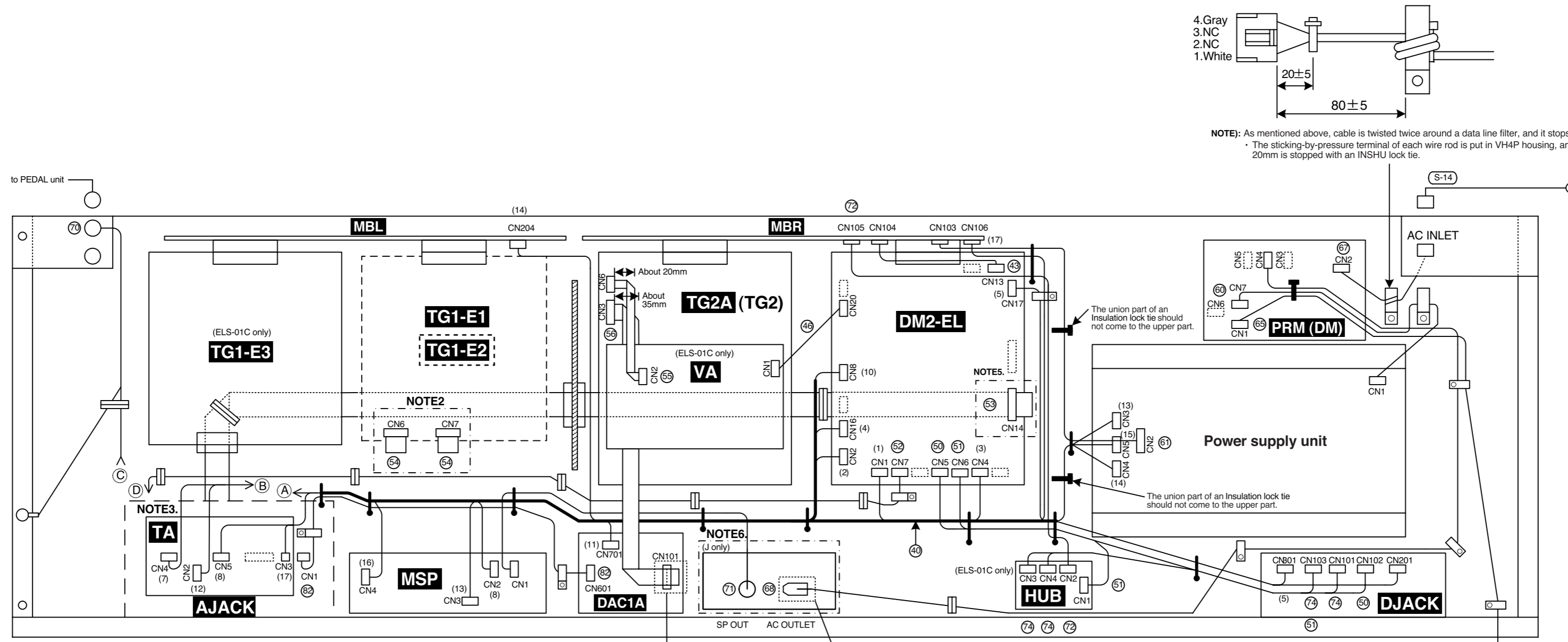
RANK: Japan only

REF NO.	PART NO.	DESCRIPTION		REMARKS	QTY	RANK
R0006	RD357470	Carbon Resistor (chip)	47.0K 63M J			01
R0007	RD355100	Carbon Resistor (chip)	100.0 63M J			01
R0008	RD357470	Carbon Resistor (chip)	47.0K 63M J			01
R0009	RD357470	Carbon Resistor (chip)	47.0K 63M J			01
R0010	RD355100	Carbon Resistor (chip)	100.0 63M J			01
-0012	RD355100	Carbon Resistor (chip)	100.0 63M J			01
R0013	RD357470	Carbon Resistor (chip)	47.0K 63M J			01
-0016	RD357470	Carbon Resistor (chip)	47.0K 63M J			01
R0019	RD355100	Carbon Resistor (chip)	100.0 63M J			01
-0023	RD355100	Carbon Resistor (chip)	100.0 63M J			01
R0024	RD357470	Carbon Resistor (chip)	47.0K 63M J			01
R0025	RD355100	Carbon Resistor (chip)	100.0 63M J			01
-0028	RD355100	Carbon Resistor (chip)	100.0 63M J			01
R0029	RD355680	Carbon Resistor (chip)	680.0 63M J			01
R0030	RD357470	Carbon Resistor (chip)	47.0K 63M J			01
R0031	RD357470	Carbon Resistor (chip)	47.0K 63M J			01
R0032	RD355100	Carbon Resistor (chip)	100.0 63M J			01
-0037	RD355100	Carbon Resistor (chip)	100.0 63M J			01
RA001	RE047470	Resistor Array	47KX4			01
RA002	RE047470	Resistor Array	47KX4			01
RA003	RE044680	Resistor Array	68X4			01
RA004	RE044680	Resistor Array	68X4			01
RA005	RE047470	Resistor Array	47KX4			01
-008	RE047470	Resistor Array	47KX4			01
RA009	RE044680	Resistor Array	68X4			01
RA010	RE047470	Resistor Array	47KX4			01
RA011	RE047470	Resistor Array	47KX4			01
RA012	RE044680	Resistor Array	68X4			01
RA013	RE047470	Resistor Array	47KX4			01
RA014	RE045100	Resistor Array	100X4			01
RA015	RE044680	Resistor Array	68X4			01
-019	RE044680	Resistor Array	68X4			01
RA020	RE045100	Resistor Array	100X4			01
-022	RE045100	Resistor Array	100X4			01
RA023	RE047470	Resistor Array	47KX4			01
RA024	RE045100	Resistor Array	100X4			01
RA025	RE047470	Resistor Array	47KX4			01
-029	RE047470	Resistor Array	47KX4			01
RA030	RE045100	Resistor Array	100X4			01
RA031	RE045100	Resistor Array	100X4			01
RA032	RE047470	Resistor Array	47KX4			01
RA033	RE047470	Resistor Array	47KX4			01
X0001	VR870700	Quartz Crystal Unit	10MHz SMD-49			04
⚠ *	WB501300	Power Supply Unit	CE,U,CS			
*	XU486B00	Speaker	6.6cm 4 ohm 5W	MONITOR	2	07
*	X4741A00	Speaker	13.0cm 8 ohm 60W	ELS-01 WOOFER	2	
*	X4740A00	Speaker	13.0cm 4 ohm 60W	ELS-01C WOOFER (FRONT)	4	
*	X5395A00	Speaker	13.0cm 8 ohm 60W	ELS-01C WOOFER (REAR)	4	
*	XL455A00	Speaker	5.0cm 16 ohm 60W	ELS-01 TWEETER	2	07
*	X4742A00	Speaker	2.5cm 16 ohm 60W	ELS-01C TWEETER	4	
⚠	VC843500	Push Switch	SDDL B1216A J.U.C.S	POWER switch (PANEL)		03
⚠ *	WB870200	Connector Assembly	SPPSW PH-3P/VH-5P	with POWER switch (AMP)		
	VA228500	Micro Switch	SPPB13001A	FOOT SW	2	01
	VA228500	Micro Switch	SPPB13001A	Knee Lever		01
⚠ *	LB201860	Connector, AC Inlet	SOT-17	(DB BOX)		03
⚠ *	WB753200	AC Outlet	S2-723B-00	J: SWITCHED 200W MAX (DB BOX)		
*	AAX53600	FDD Set		ELS-01C		
*	WB907800	LCD	LQ065Y5DG01 TFT			
*	WB832000	Y65VGA	2004EL Y65VGA			
⚠ *	X4573B00	Power Transformer	E	J		
⚠ *	X4752B00	Power Transformer	THA,MEX E	Q,V,K		
⚠ *	V9837900	Coil	7.0mH			
⚠ *	WB871400	AC Cord Set	J 2P 3.75m 7A	J		
⚠ *	WB871500	AC Cord Set	CE 2P 3.75m 6A	Q,K		

*: New Parts

RANK: Japan only

■ ELS-01/ELS-01C WIRING (OVERALL ASSEMBLY)



DM Cable Kit

LOCATION	PART NO	PART NAME	DESTINATION
(1)	VK12500	KRD-KRD Connector Assembly	DM2-EL-CN1 - DJACK-CN201
(2)	VK11490		DM2-EL-CN2 - TA-CN15
(3)	VK11780		DM2-EL-CN4 - TA-CN13
(4)	VK11670		DM2-EL-CN16 - TA-CN7
(5)	WC52260	OPT-LF Connector Assembly	DM2-EL-CN17 - DJACK-CN301
(7)	VK10390	KRD-KRD Connector Assembly	AJACK-CN4 - TA-CN24
(8)	VK10840		AJACK-CN5 - MSP-CN2
(10)	WB86080	TPN 1 Connector Assembly	DM2-CN8 - TA-CN3
(11)	WB86140	MIC 1 Connector Assembly	DAC1A-CN701 - TA-CN22
(12)	WB86170	MVR 1 Connector Assembly	AJACK-CN2 - TA-CN20
(13)	WB86330	12V Connector Assembly	SWPS-CN3 - MSP-CN3
(14)	WB86320	YD2 2 Connector Assembly	SWPS-CN4 - MBL-CN204
(15)	WB86340	PN1 1 Connector Assembly	SWPS-CN5 - TA-CN14
(16)	WB86220	MSP 1 Connector Assembly	MSP-CN4 - TA-CN5
(17)	WB81210	MUTE Connector Assembly	AJACK-CN3 - MBR-CN108

DM BOX Unit

LOCATION	PART NO	PART NAME	DESTINATION	NOTE
(4)	WC28120	DM Cable Kit		
(9)	VK09740	KRD-KRD Connector Assembly	DM2-EL-CN13 - MBR-CN104	ELS-01C only
(10)	VK09860	KRD-KRD Connector Assembly	DM2-EL-CN20 - VA-CN1	ELS-01C only
(11)	WA249700	USB Connector Assembly	DM2-EL-CN20 - DJACK-CN102	ELS-01C only
(12)	WC54980	USB Connector Assembly	DM2-EL-CN6 - DJACK-CN103	ELS-01C only
(13)	WC52320	USB Connector Assembly	DM2-EL-CN6 - HUB-CN1	ELS-01C only
(14)	WC52320	LCD-LF Connector Assembly	DM2-EL-CN14 - TA-CN12	
(15)	WB860700	CARD Cable	TO1-E1-CN6 - TO1-E2-CN6	
(16)	WB860600	CARD Cable	TO1-E1-CN7 - TO1-E2-CN7	
(17)	WC526700	CARD Cable	TG2A (TG2)-CN6 - VA-CN2	ELS-01C only
(18)	WB862000	CARD Cable	TG2A (TG2)-CN3 - DAC1A-CN101	
(19)	WB86250	AC Connector Assembly	SWPS-CN1 - PRM (DM)-CN7	
(20)	WB86300	VSD 1 Connector Assembly	SWPS-CN2 - MBR-CN103	
(21)	WB86190	PSW 1 Connector Assembly	PRM (DM)-CN1 - Relay CN	
(22)	WB86370	ACD Connector Assembly	AC Inlet - PRM (DM)-CN2	
(23)	WB86400	ACD Connector Assembly	AC Outlet - PRM (DM)-CN4	J only
(24)	WB862400	Cable 7	TA-CN25 - Relay CN	
(25)	WB861300	Cable 4	MSP-CN1 - Relay CN	J only
(26)	WC27190	HUB Connector Assembly	MBR-CN105 - HUB-CN2	
(27)	WC33230	USB Connector Assembly	HUB-CN3 - DJACK-CN103	ELS-01C only
(28)	WC33230	USB Connector Assembly	HUB-CN4 - DJACK-CN101	ELS-01C only
(29)	WD00860	AJK-LF Connector Assembly	DAC1A-CN601 - AJACK-CN1	

Side Pipe Assembly (R)

S-14	WB871400	AC Cord Set (L)	
S-14	WB871500	AC Cord Set (Q, K)	
S-14	WB871600	AC Cord Set (V)	

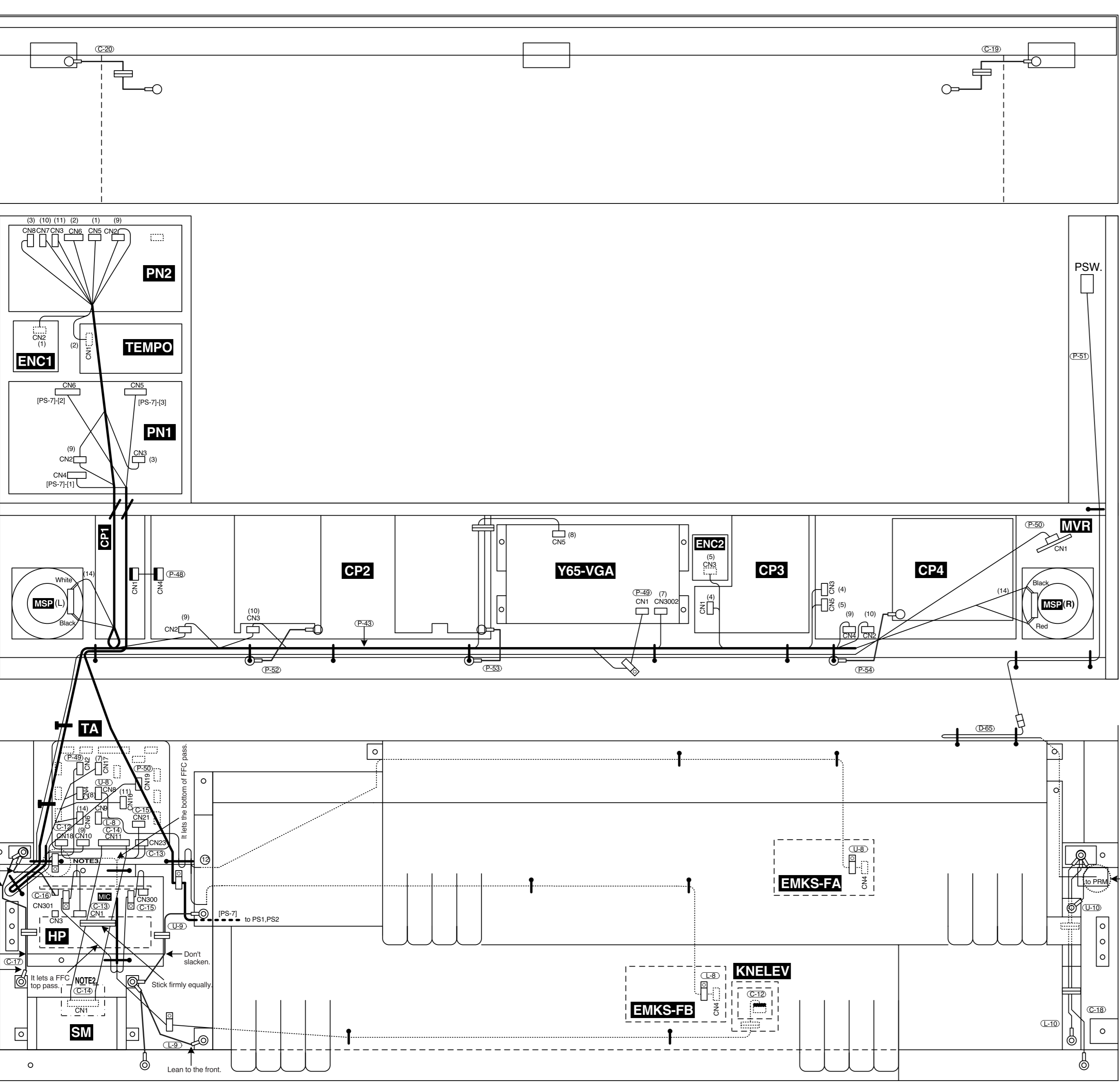
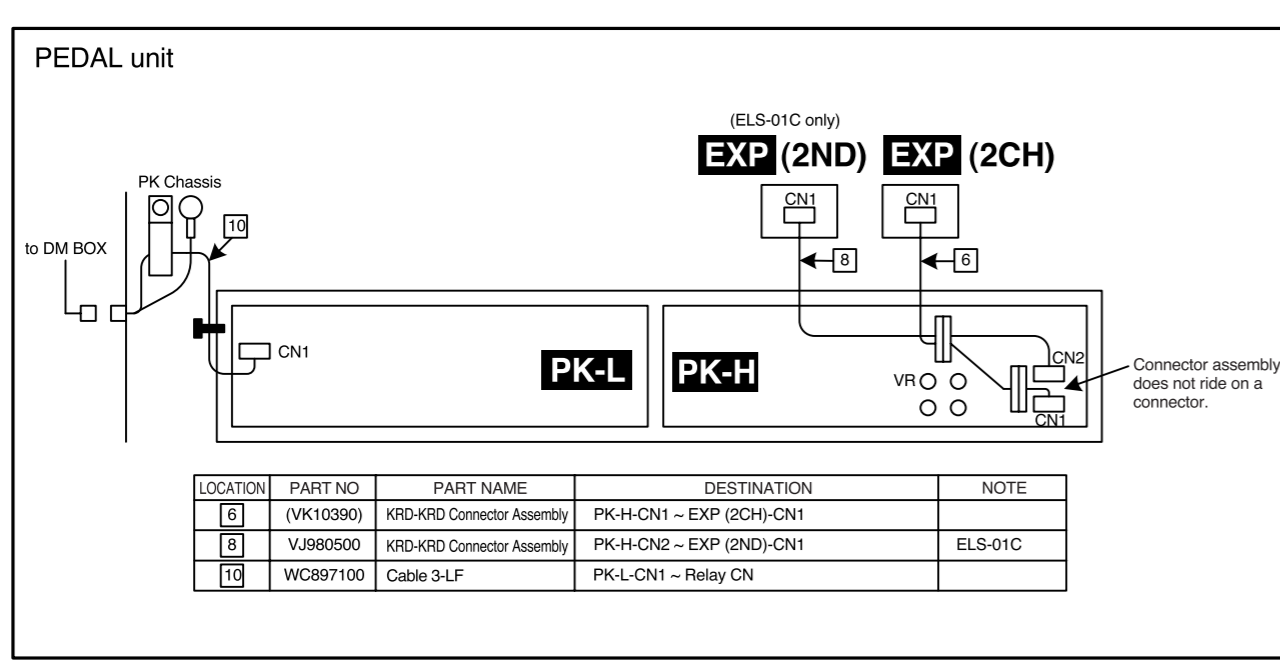
ACO Assembly

A-1	WC30240	AC Cord	PRM (DM)-CN4 - PRM (SP AMP)-CN2	Q, V, K only
A-2 <td>WC30220</td> <td>MSECO Cable</td> <td>MSP-CN1 - EQ-CN1</td> <td>Q, V, K only</td>	WC30220	MSECO Cable	MSP-CN1 - EQ-CN1	Q, V, K only

The parts with which the part number was surrounded by () are not prepared as service parts.

2NC-WB84660-2

- NOTE1.**
- Ferrite core
 - Cord binder (vinyl tie)
 - Lug terminal
 - Filament tape
 - Cable holder
 - Insulation Lock Tie
 - Nylon clamp



PN Cable Kit

LOCATION	PART NO	PART NAME	DESTINATION
(1)	VK10000	KRD-KRD Connector Assembly	PN2-CN5 - ENCI-CN2
(2)	VK10190		PN2-CN6 - TEMPO-CN1
(3)	VK10390		PN2-CN8 - PN1-CN3
(4)	VJ98270		CP4-CN3 - CP3-CN1
(5)	VK10370		CP4-CN5 - ENCI-CN3
(7)	WB86360	BL 2 Connector Assembly	TA-CN11 - Y65VGA-CN3002
(8)	WB86090	TPN 2 Connector Assembly	TA-CN4 - Y65VGA-CN5
(9)	WB86140	EBUS Connector Assembly	TA-CN13 - PN1-CN2, PN2-CN2 - CP2-CN2 - CP4-CN4
(10)	WB86170	3V Connector Assembly	PN2-CN1 - CP3-CN2 - CP4-CN2
(11)	WB86350	PN1 2 Connector Assembly	TA-CN16 - PN2-CN3
(14)	WB86230	MSP 2 Connector Assembly	TA-CN6 - Monitor SP-L/R

Panel Assembly

LOCATION	PART NO	PART NAME	DESTINATION
P-43	WC281300	PN Cable Kit	
P-48	VK098600	KRD-KRD Connector Assembly	CP1-CN1 - CP2-CN4
P-49	WC93000	LCD-LF Connector Assembly	TA-CN2 - Y65VGA-CN1
P-50	WB861900	MVR 2 Connector Assembly	TA-CN19 - MVR-CN1
P-51	WB862000	PSW2 Connector Assembly	PSW - Relay CN
P-52	WD10560	GND Wire	CP2 Plate assembly - Rail Assembly R
P-53	WD10560	GND Wire	CP2 Plate assembly - Rail Assembly R
P-54	WD10560	GND Wire	CP4 Plate assembly - Rail Assembly R

Lower Case Unit

LOCATION	PART NO	PART NAME	DESTINATION
C-12	WD008500	KNEE-LF Connector Assembly	TA-CN18 - KNEE-LV-CN1
C-13	(WD00830)	HP-LF Connector Assembly	TA-CN23 - HP-CN1
C-14	WB865300	CARD Cable	TA-CN11 - SM-CN1
C-15	WD008400	MIC2-LF Connector Assembly	TA-CN21 - MIC-CN300
C-16	(WB87260)	MIC-GND Connector Assembly	MIC-CN301 - FG
C-17	(WD10620)	GND Wire	SM Support-Hinge - GND Wire
C-18	(WD10630)	GND Wire	Front Rail - GND Wire
C-19	(WD10640)	GND Wire	Top Board Assembly - Hinge - Lower Case
C-20	(WD10640)	GND Wire	Top Board Assembly - Hinge - Lower Case

Upper Keyboard Unit

LOCATION	PART NO	PART NAME	DESTINATION
U-8	WD024300	UK-LF Connector Assembly	TA-CN8 - EMKS-FA-CN4
U-9	(WD10590)	GND Wire	End Block UK Left - SM Support
U-10	(WD10570)	GND Wire	End Block UK Right - GND Wire

Lower Keyboard Unit

LOCATION	PART NO	PART NAME	DESTINATION
L-8	(WD02440)	UK-LF Connector Assembly	TA-CN9 - EMKS-FB-CN4
L-9	(WD10610)	GND Wire	End Block LK Left - SM Support - Front Rail
L-10	(WD10600)	GND Wire	End Block LK Right - GND Wire

Keyboard Rail Assy

LOCATION	PART NO	PART NAME	DESTINATION
[PS-7]-[1]	WD042200	PS-LF Connector Assembly	PN1-CN4 - PS1-CN1 - PS2-CN3
[PS-7]-[2]	WD042200	PS-LF Connector Assembly	PN1-CN6 - PS2-CN4
[PS-7]-[3]	WD042200	PS-LF Connector Assembly	PN1-CN5 - PS1-CN2

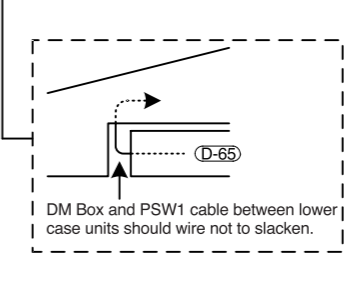
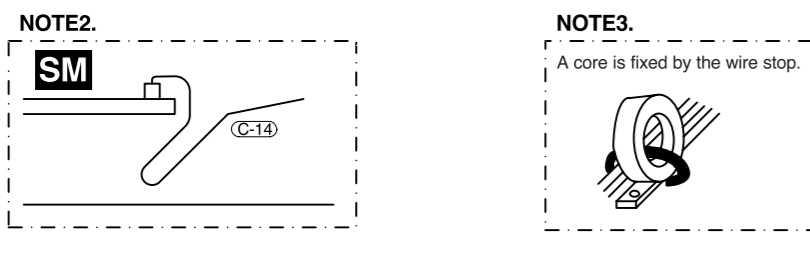
DM BOX Unit

LOCATION	PART NO	PART NAME	DESTINATION
D-65	WB861900	PSW1 Connector Assembly	PRM (DM)-CN1 - Relay CN

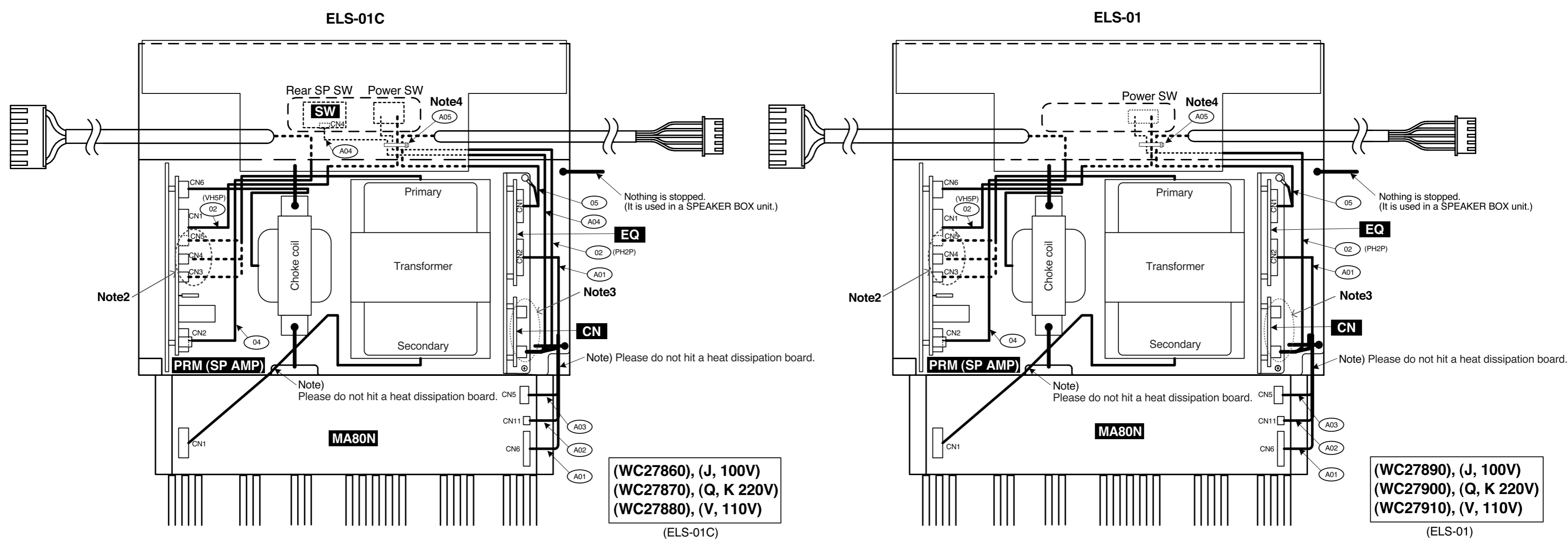
The parts with which the part number was surrounded by () are not prepared as service parts.

2NC-WB84660-3

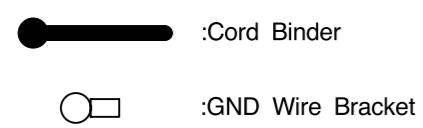
- NOTE1.**
- Ferrite core
 - Cord binder (vinyl tie)
 - Lug terminal
 - Filament tape
 - Cable holder
 - Insulation Lock Tie



■ ELS-01/ELS-01C WIRING (AMP UNIT)



Note1: A sign is following-referred to.

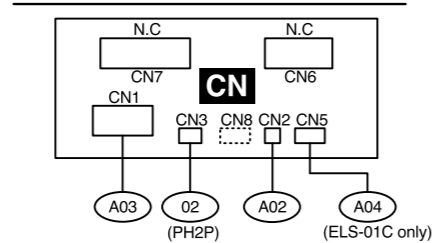


Note2: The primary transformer - PRM circuit board CN3, 4, and 5 details

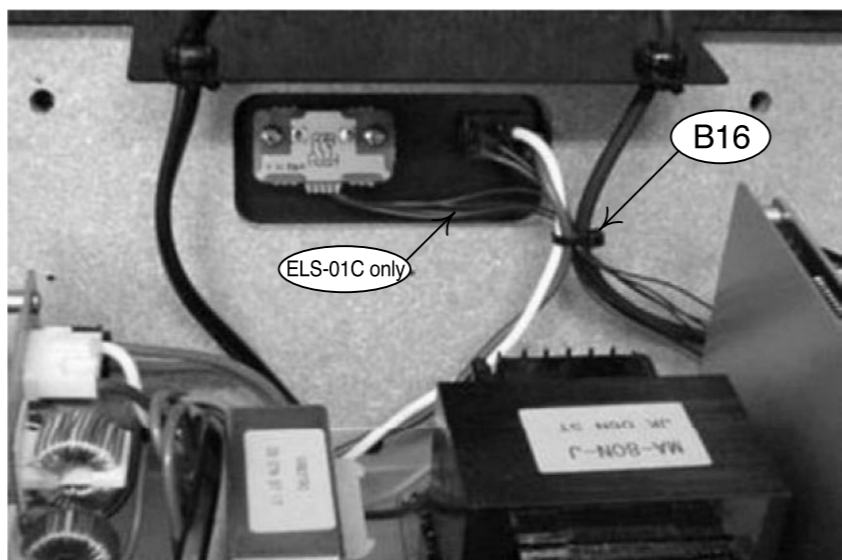
Transformer 1st bundle line connection place.
Note) Be careful enough for there to be no misdelivery-of-mail line.

PART NO	Destination	PRM circuit board CN No.	NOTE
(WC27860)	J	CN4	ELS-01C
(WC27870)	Q, K	CN3	ELS-01C
(WC27880)	V	CN5	ELS-01C
(WC27890)	J	CN4	ELS-01
(WC27900)	Q, K	CN3	ELS-01
(WC27910)	V	CN5	ELS-01

Note3: CN circuit board details



Note4: A05 Insulation lock attachment details

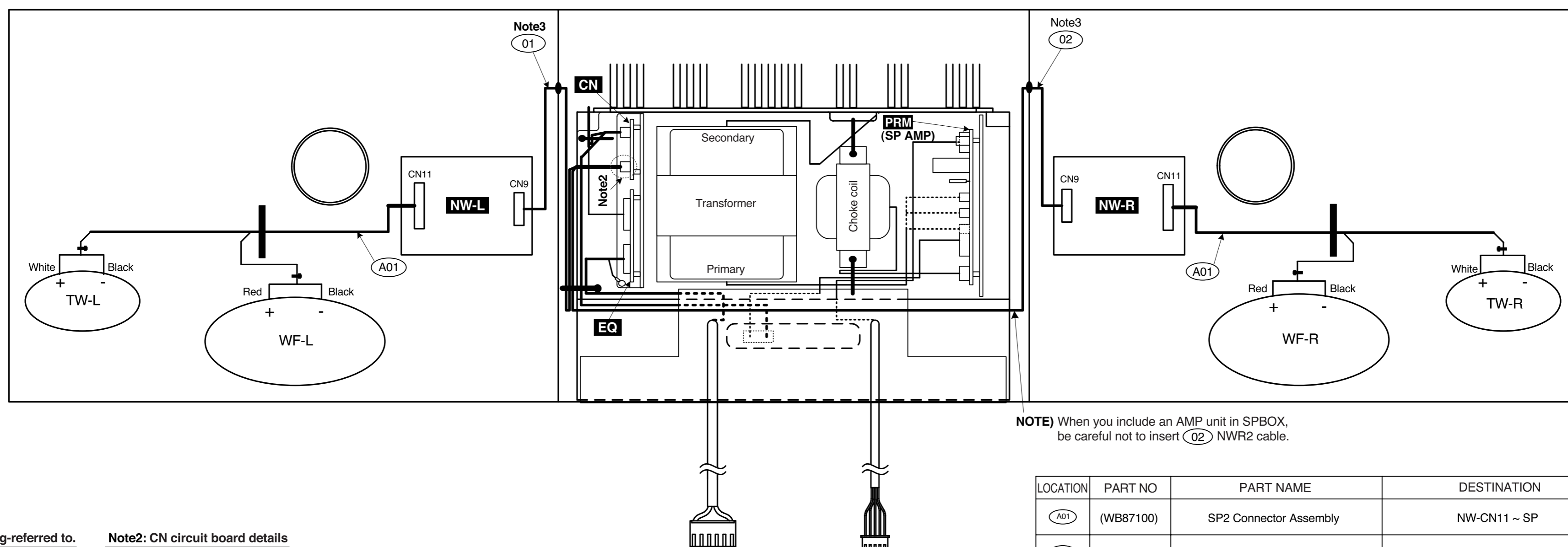


LOCATION	PART NO	PART NAME	DESTINATION	NOTE
(A01)	VK102800	KRD-KRD Connector Assembly	MA80N-CN6 - EQ-CN2	
(A02)	VK099600	KRD-KRD Connector Assembly	MA80N-CN11 - CN-CN2	
(A03)	(WB87030)	CN Connector Assembly	MA80N-CN5 - CN-CN1	
(A04)	VK105400	KRD-KRD Connector Assembly	SW-CN4 ~ CN-CN5 (ELS-01C only)	
(02)	WB870200	SPPSW Connector Assembly	Power SW ~ PRM (SP AMP)-CN1 (VH 5P)	
(04)	WB871300	AC Cord (J)	AC Cord ~ PRM (SP AMP)-CN2 ((WC27860), (WC27890))	
(05)	(WC90240)	AC Cord (Q, V, K)	AC Cord ~ PRM (SP AMP)-CN2 ((WC27870), (WC27880), (WC27900), (WC27910))	
(05)	WB861600	Cable 5 (J)	Cable 5 ~ EQ-CN1 ((WC27860), (WC27890))	
(05)	(WC90220)	MSEQ cable (Q, V, K)	MSEQ cable ~ EQ-CN1 ((WC27870), (WC27880), (WC27900), (WC27910))	

The parts with which the part number was surrounded by () are not prepared as service parts.

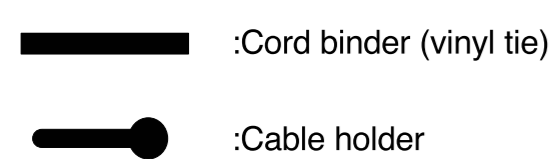
2NBEX-WC27860-2

■ ELS-01 WIRING (SPEAKER BOX UNIT)

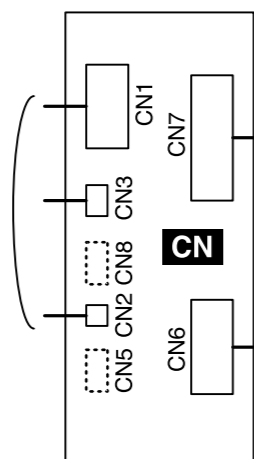


Note1: A sign is following-referred to.

Note2: CN circuit board details

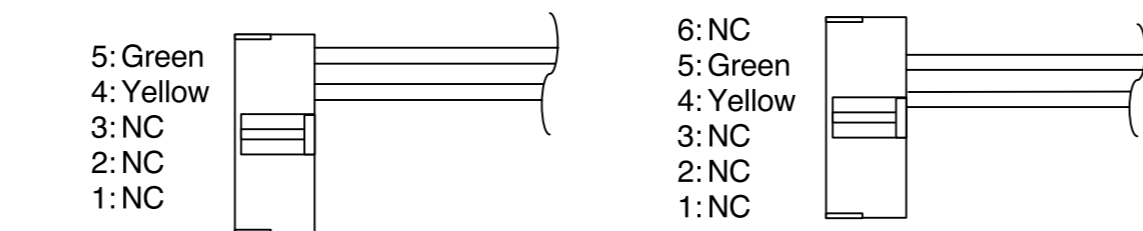


Connection in an AMP unit



Note3: Housing attachment of a NWL2/NWR2 cable is depended below.

(01) NWL2 Connector Assembly (02) NWR2 Connector Assembly



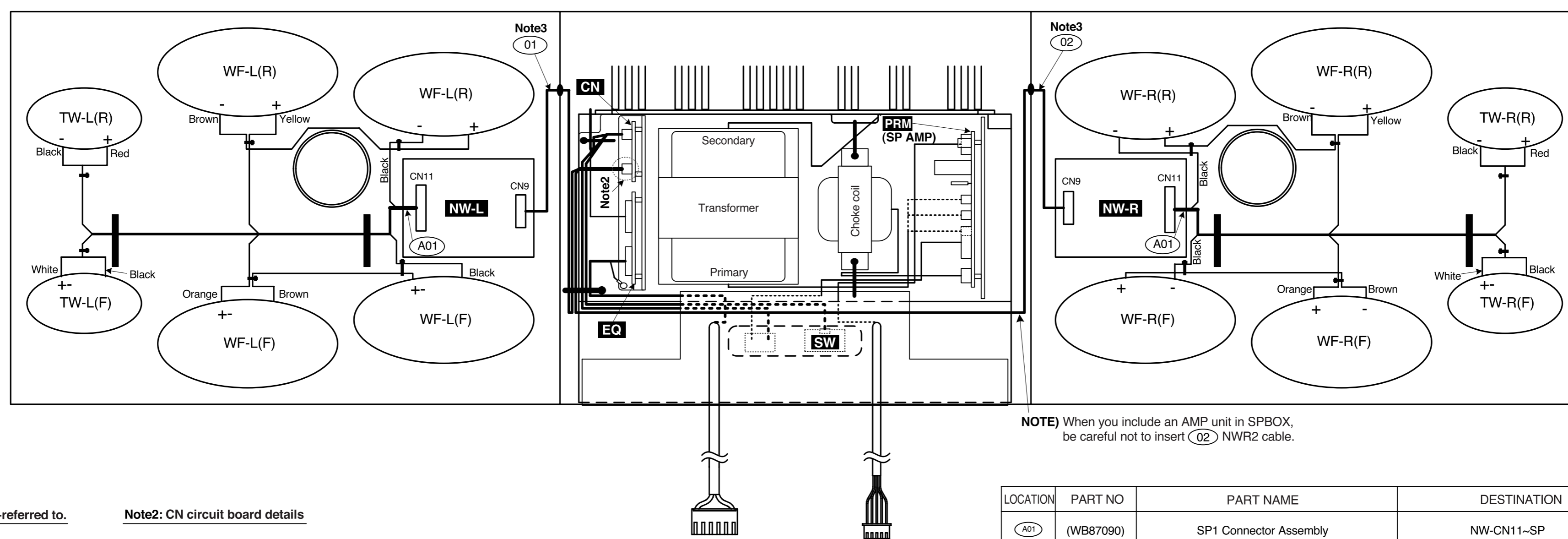
NOTE) When you include an AMP unit in SPBOX, be careful not to insert (02) NWR2 cable.

LOCATION	PART NO	PART NAME	DESTINATION	NOTE
(A01)	(WB87100)	SP2 Connector Assembly	NW-CN11 ~ SP	Lch/Rch
(01)	(WB87070)	NWL2 Connector Assembly	NW-L-CN9 ~ CN-CN6	Attachment to SP partition board
(02)	(WB87080)	NWR2 Connector Assembly	NW-R-CN9 ~ CN-CN7	Attachment to SP partition board

The parts with which the part number was surrounded by () are not prepared as service parts.

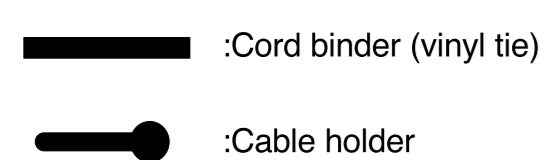
ELS-01: 2NBEX-WB89300-2

■ ELS-01C WIRING (SPEAKER BOX UNIT)

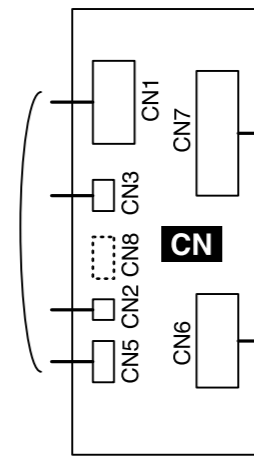


Note1: A sign is following-referred to.

Note2: CN circuit board details

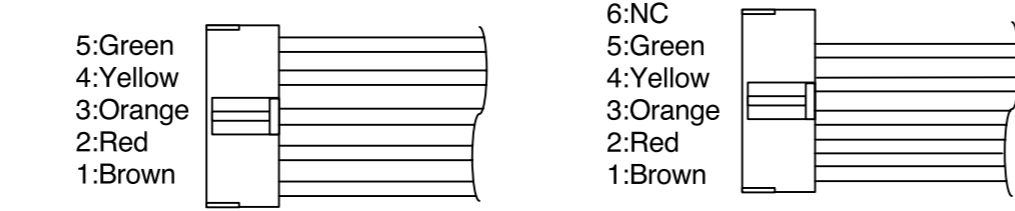


Connection in an AMP unit



Note3: Housing attachment of a NWL2/NWR2 cable is depended below.

(01) NWL1 Connector Assembly (02) NWR1 Connector Assembly

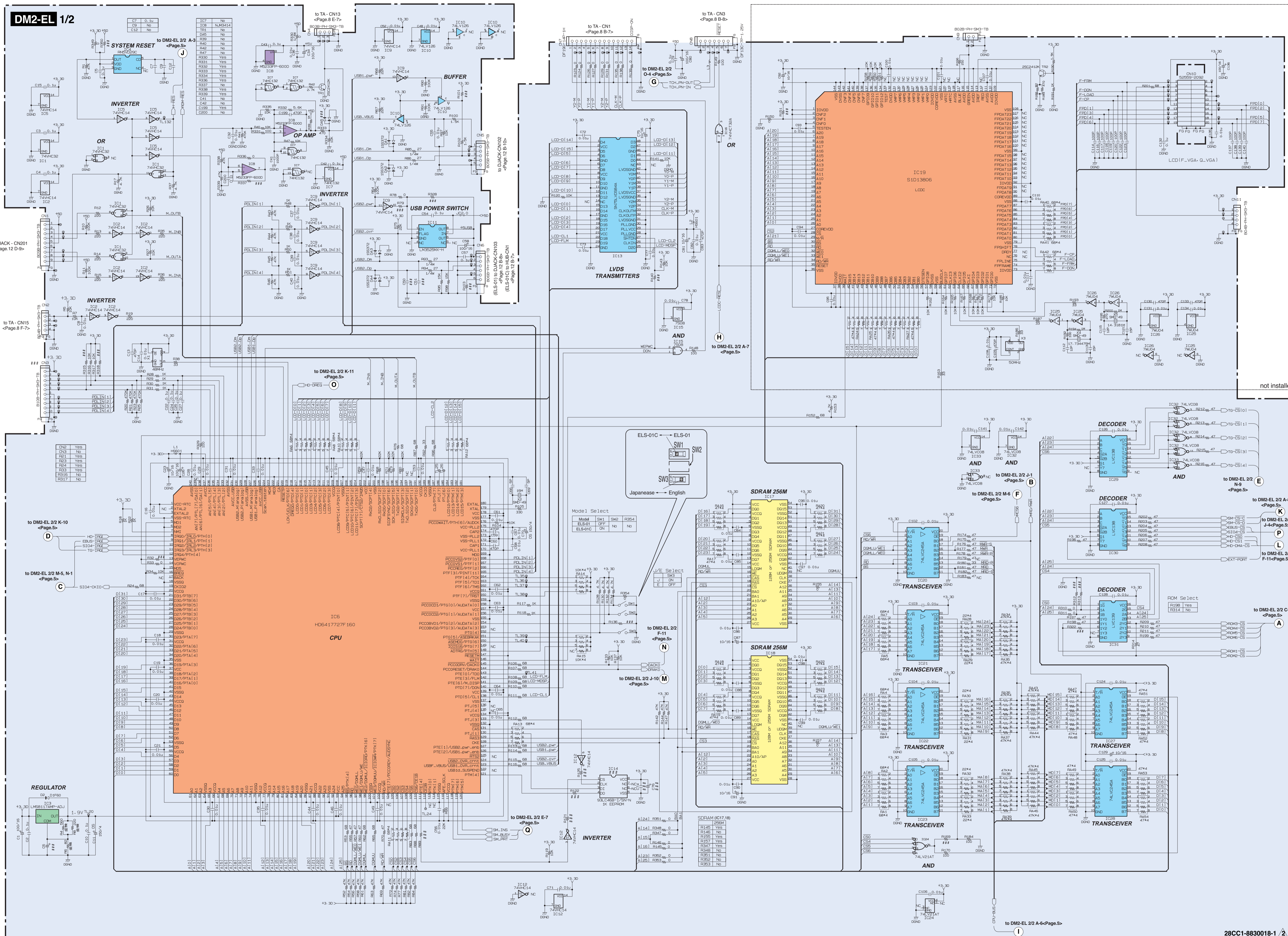


NOTE) When you include an AMP unit in SPBOX, be careful not to insert (02) NWR2 cable.

LOCATION	PART NO	PART NAME	DESTINATION	NOTE
(A01)	(WB87090)	SP1 Connector Assembly	NW-CN11-SP	Lch/Rch
(01)	(WB87050)	NWL1 Connector Assembly	NW-L-CN9-CN-CN6	Attachment to SP partition board
(02)	(WB87060)	NWR1 Connector Assembly	NW-R-CN9-CN-CN7	Attachment to SP partition board

The parts with which the part number was surrounded by () are not prepared as service parts.

ELS-01C: 2NBEX-WB89270-2

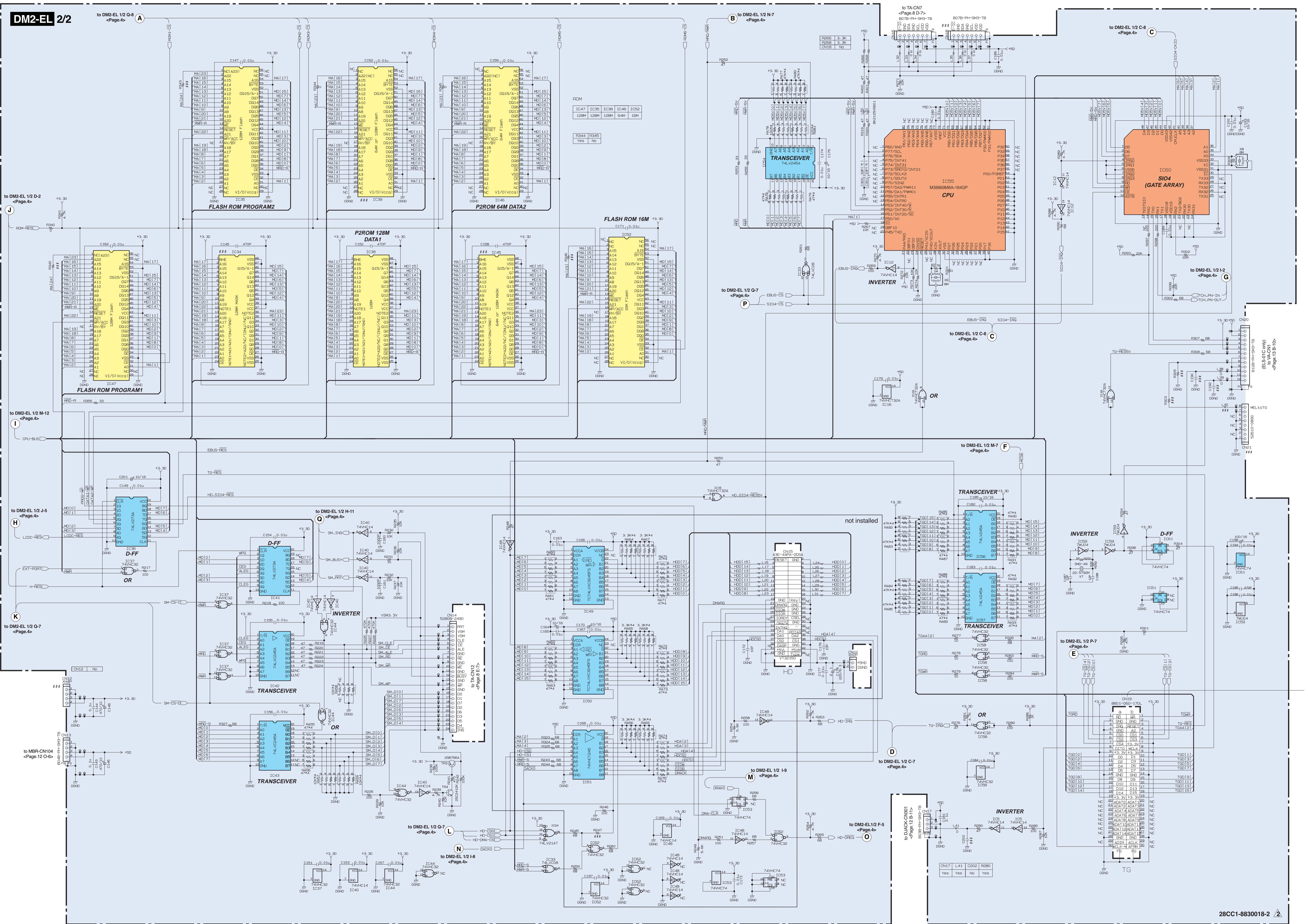


- LMS117AMP-ADJ (X0609A00)
REGULATOR
DM2-EL-IC9
- D1F80 (VS201100)
DIODE ARRAY
DM2-EL-D2
- ISS372 TE8SL (V9424900)
DIODE ARRAY
DM2-EL-DA1-4

金属: Metal Film Resistor
Yes No or ## installed not installed

Note: See parts list for details of circuit board component parts.

■ ELS-01/ELS-01C OVERALL CIRCUIT DIAGRAM 2/11 (DM2-EL 2/2)

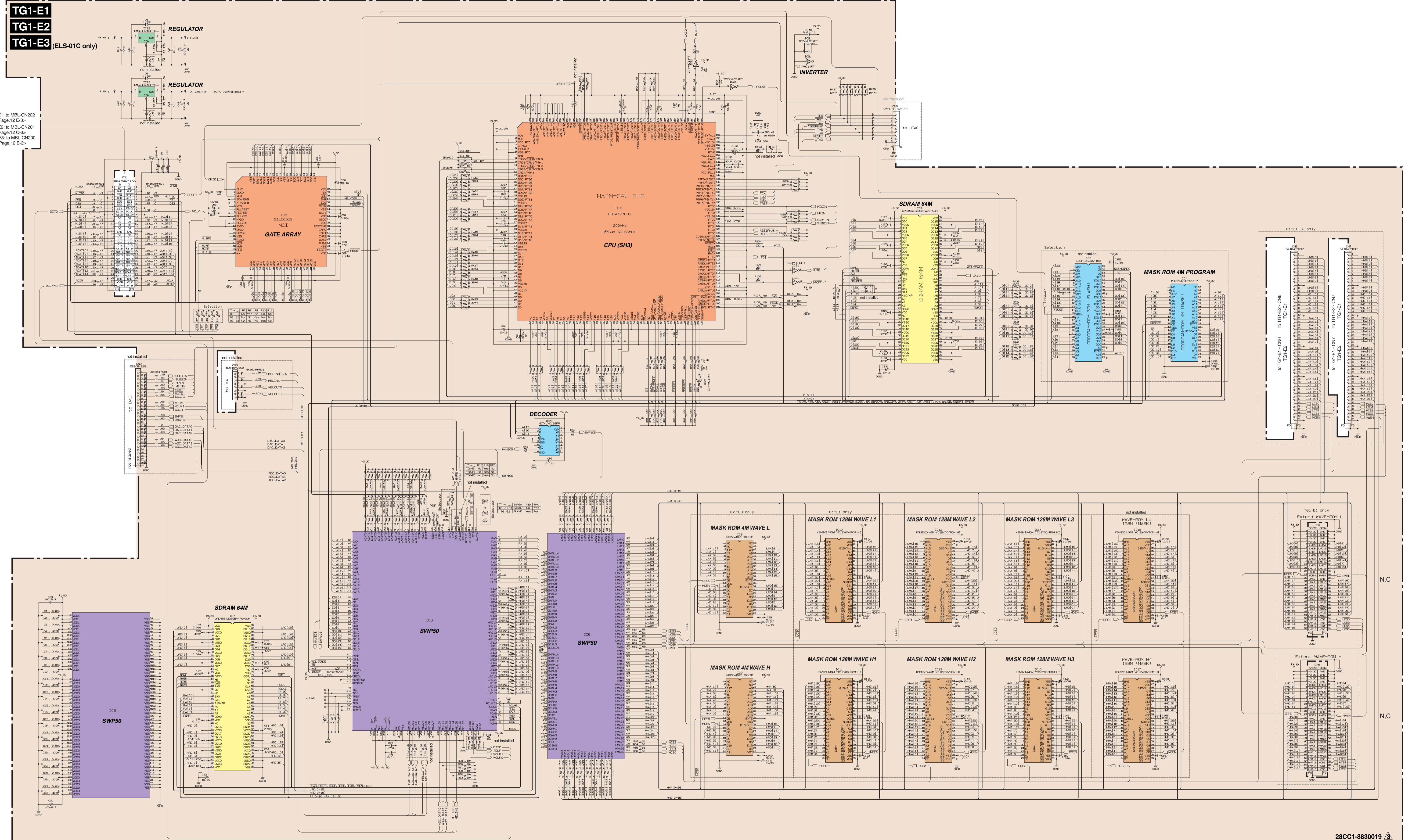


⊃ : Ceramic Capacitor

Yes No or ## installed not installed

Note: See parts list for details of circuit board component parts.

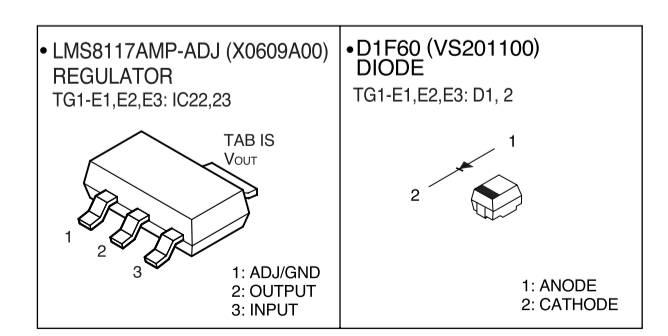
28CC1-8830018-2



(C) : Ceramic Capacitor
 金線 : Metal Film Resistor

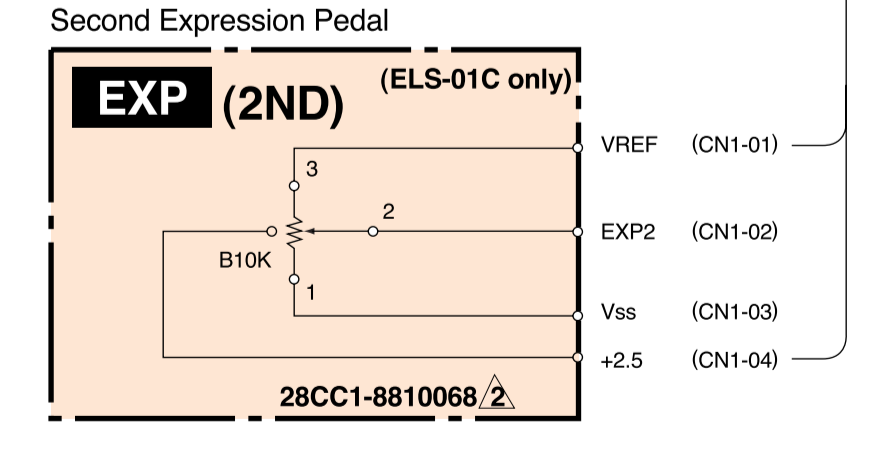
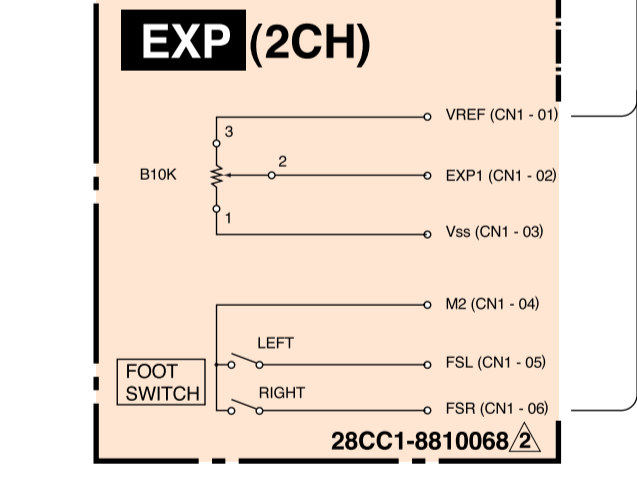
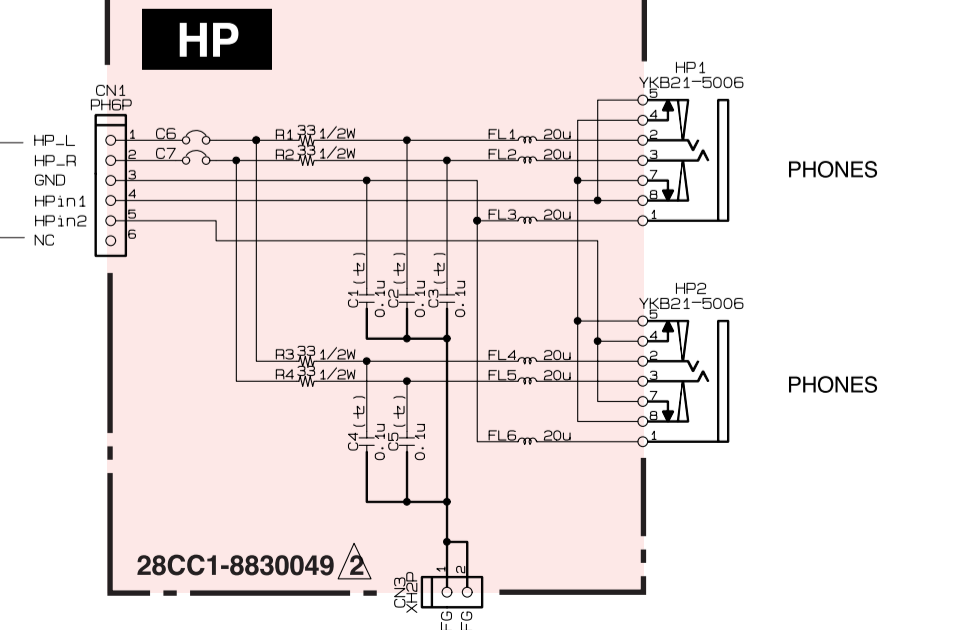
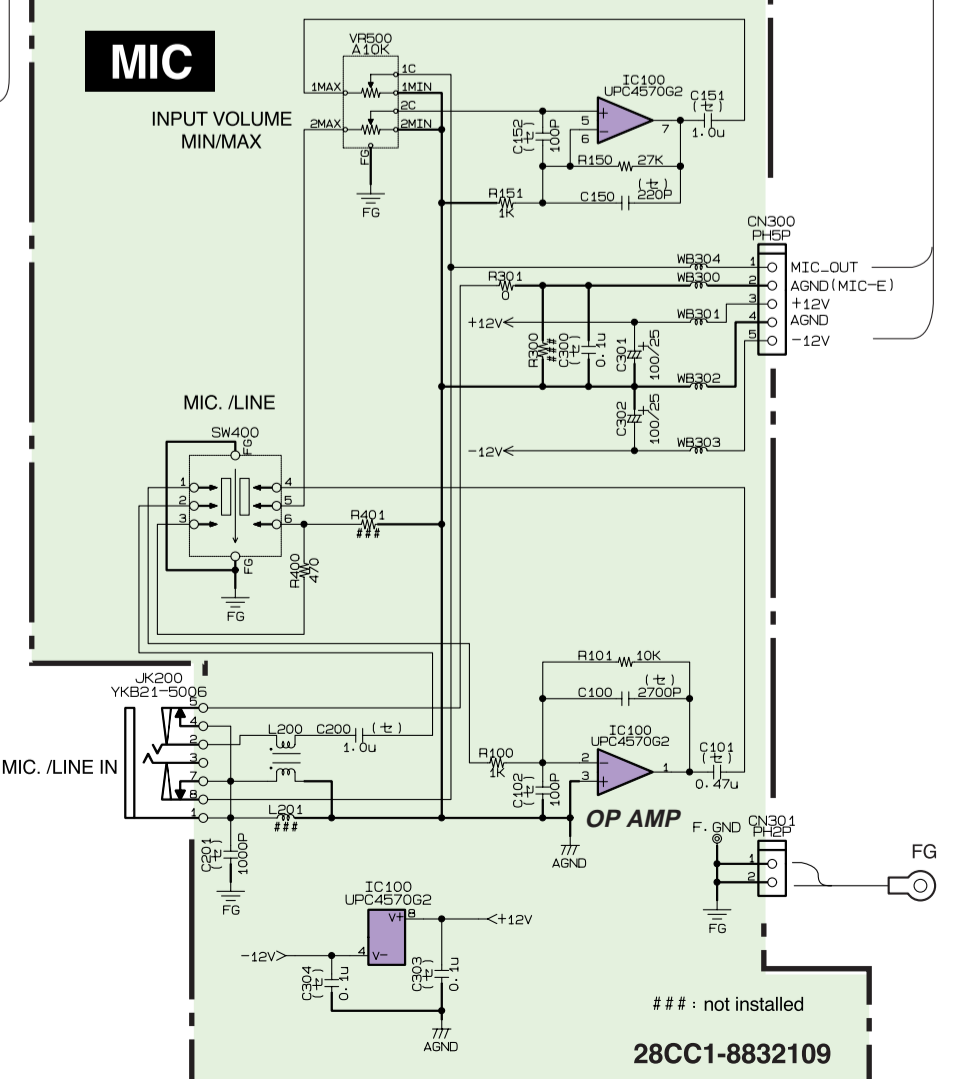
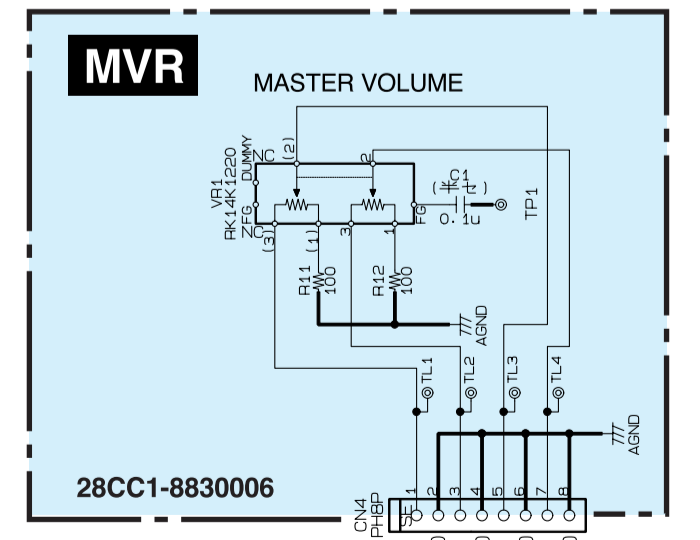
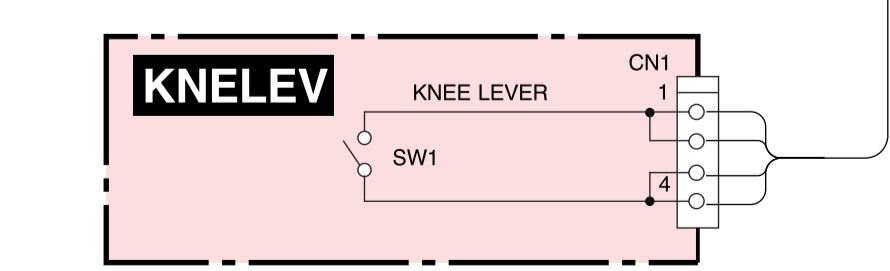
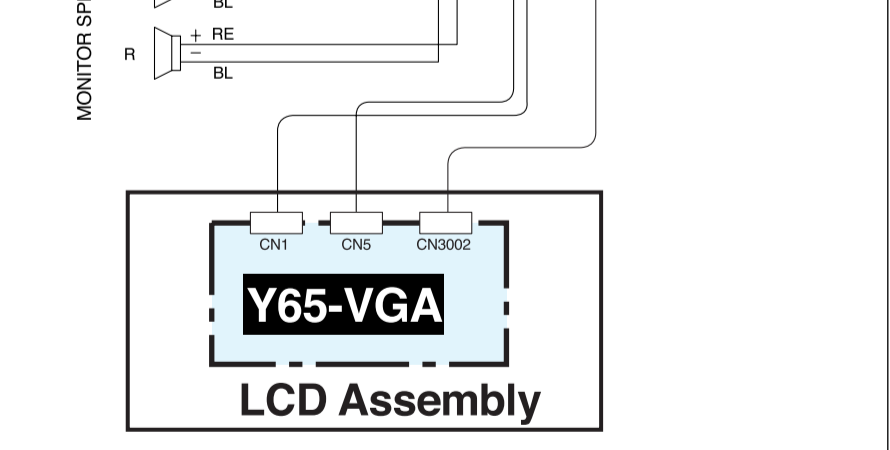
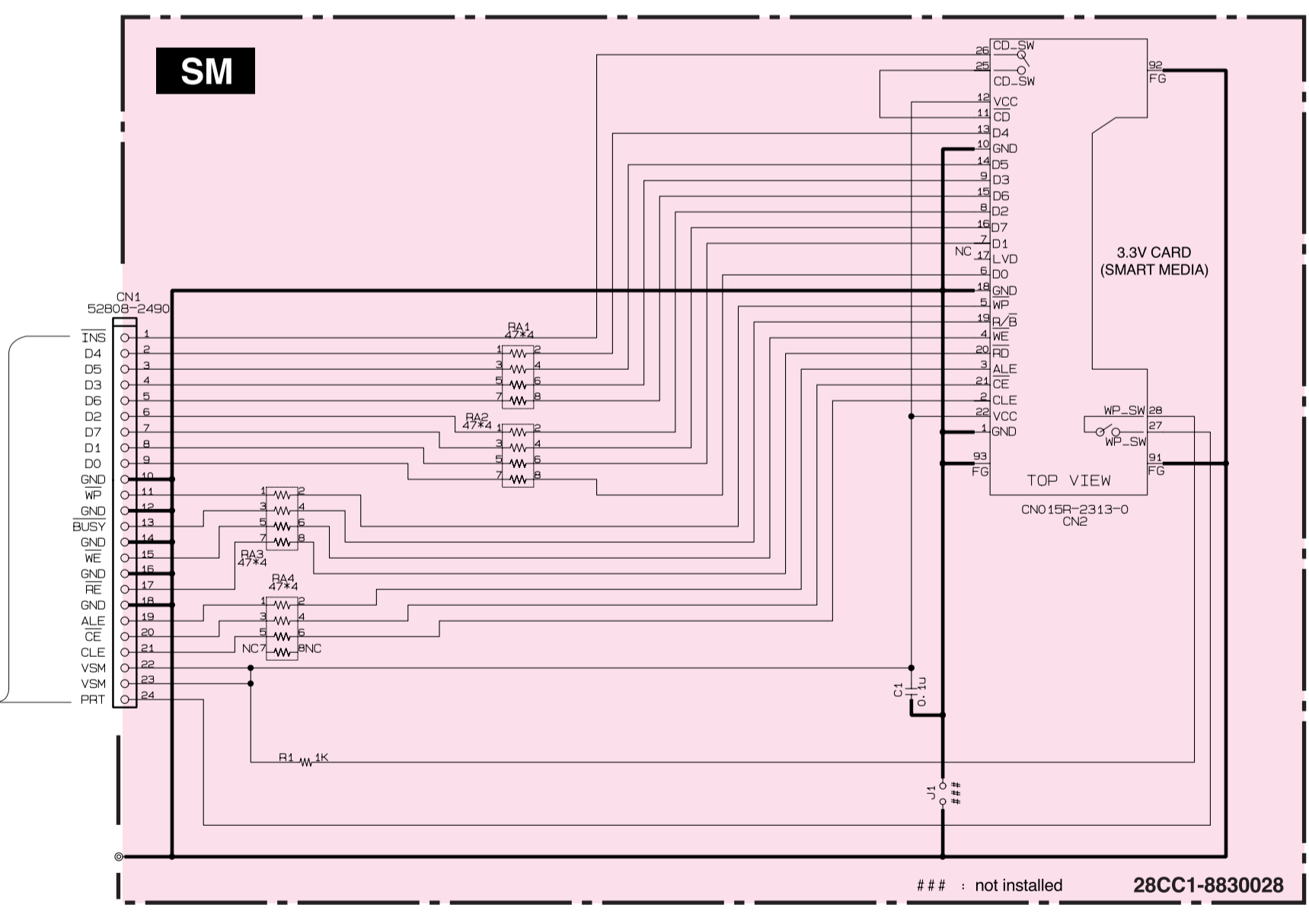
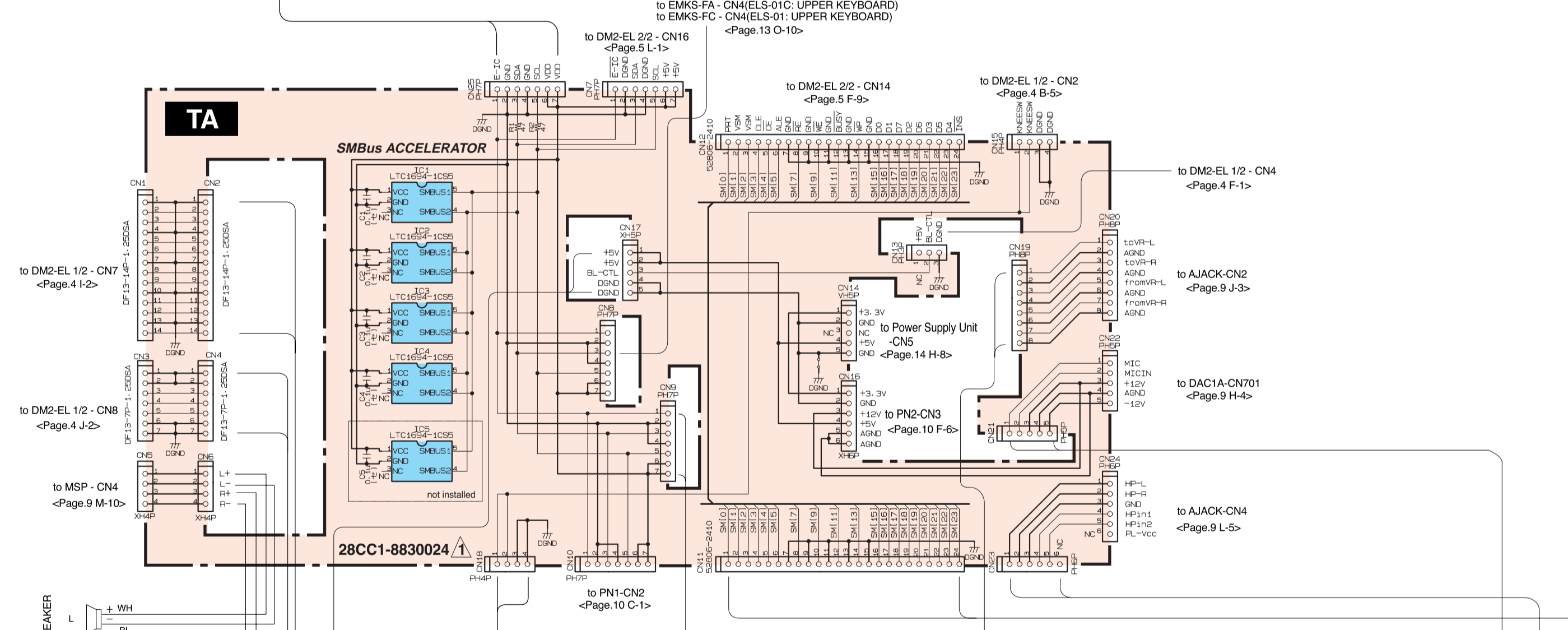
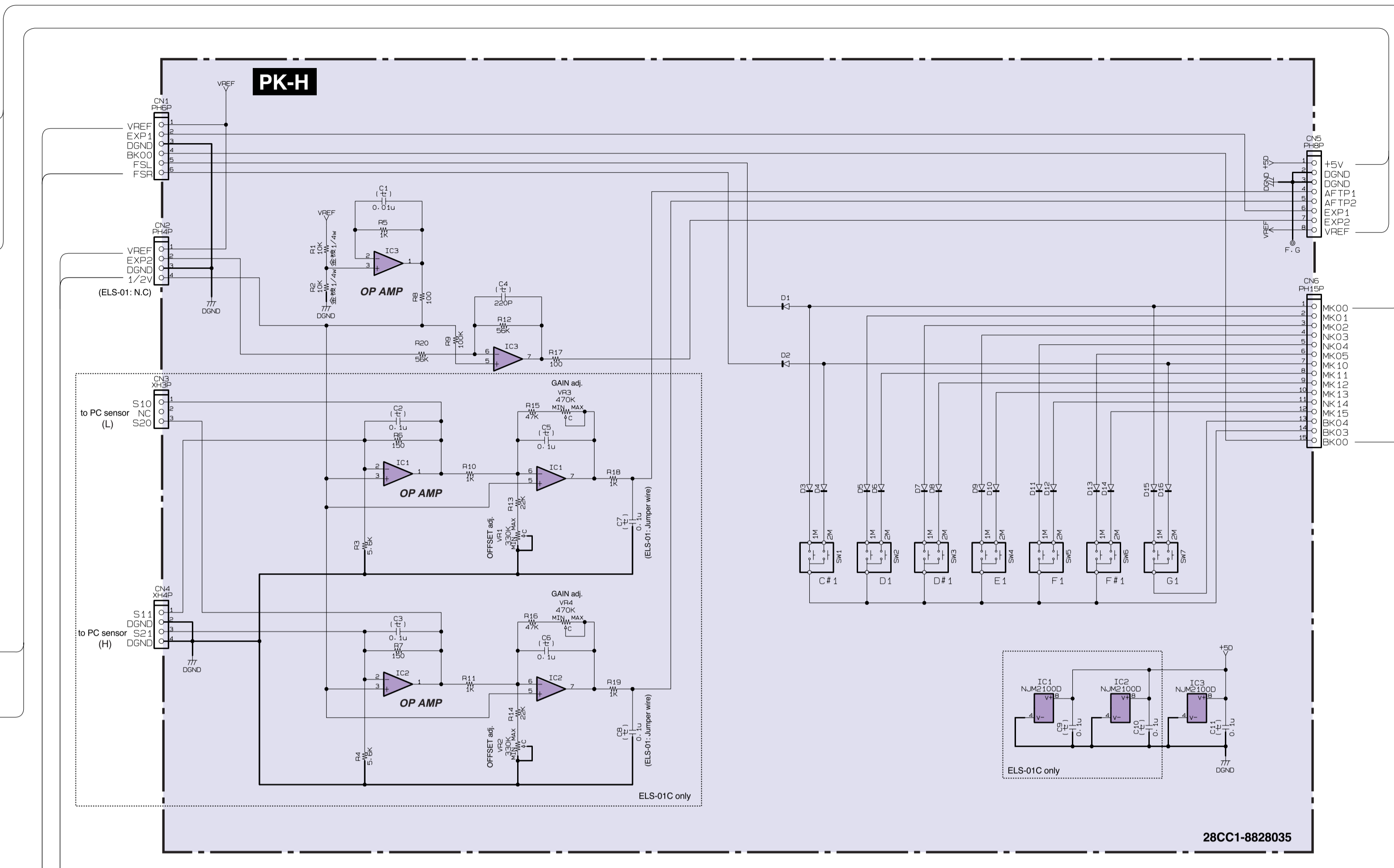
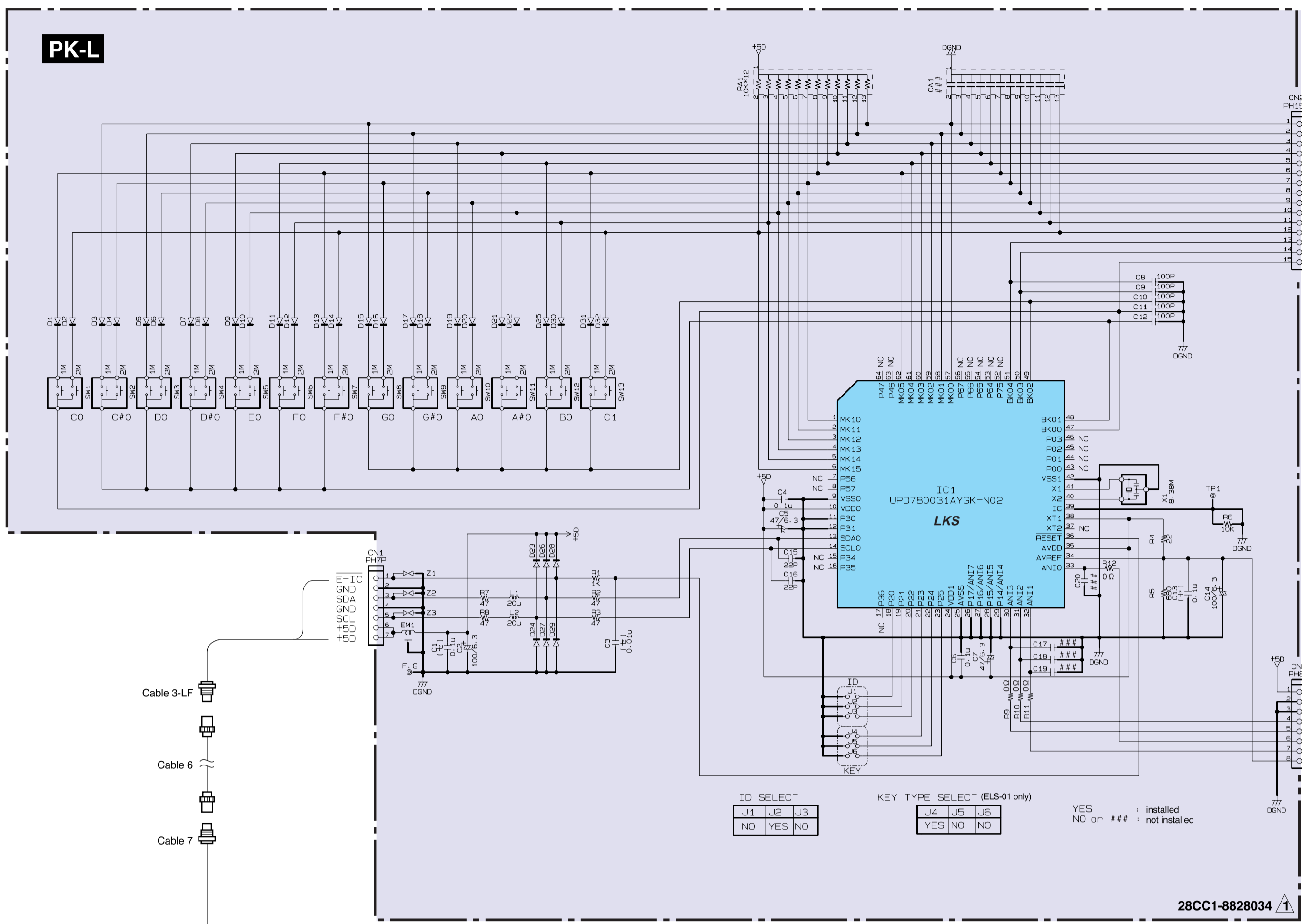
Yes: installed
 No: not installed

Note: See parts list for details of circuit board component parts.



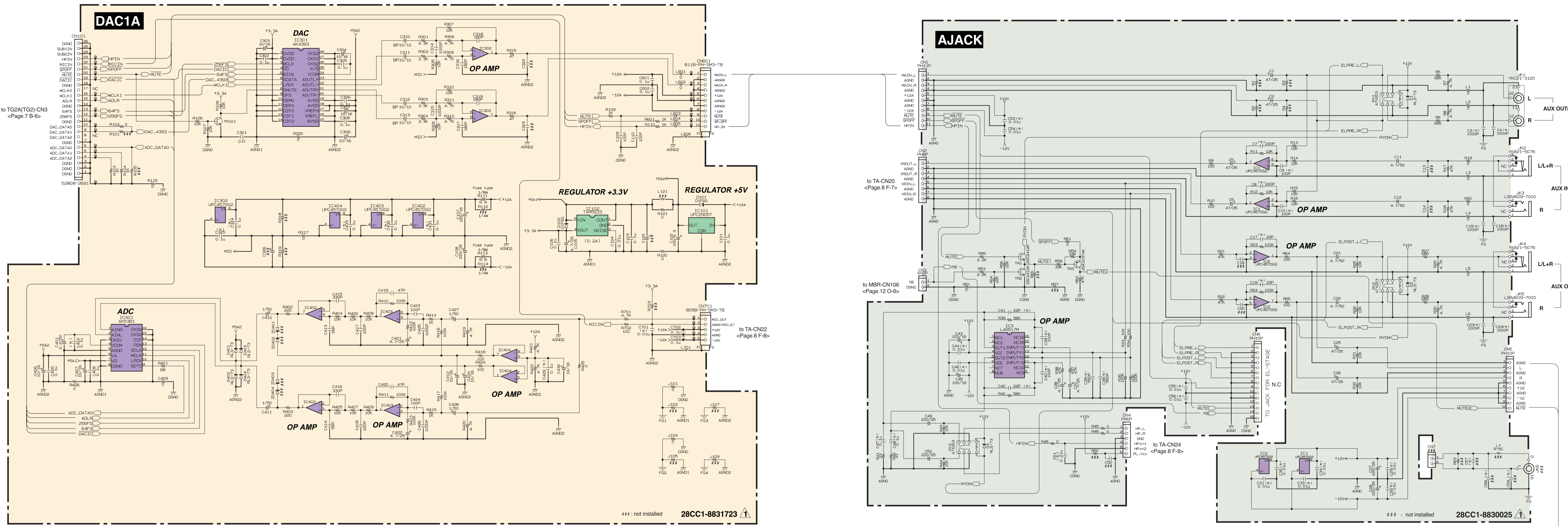
28CC1-8830019

■ ELS-01/ELS-01C OVERALL CIRCUIT DIAGRAM 5/11 (EXP(2CH), EXP(2ND), HP, KNELEV, MIC, MVR, PK-H, PK-L, SM, TA, Y65-VGA)



○ : Ceramic Capacitor
 □ : Semiconductive Ceramic Capacitor
 □ : Metal Film Resistor

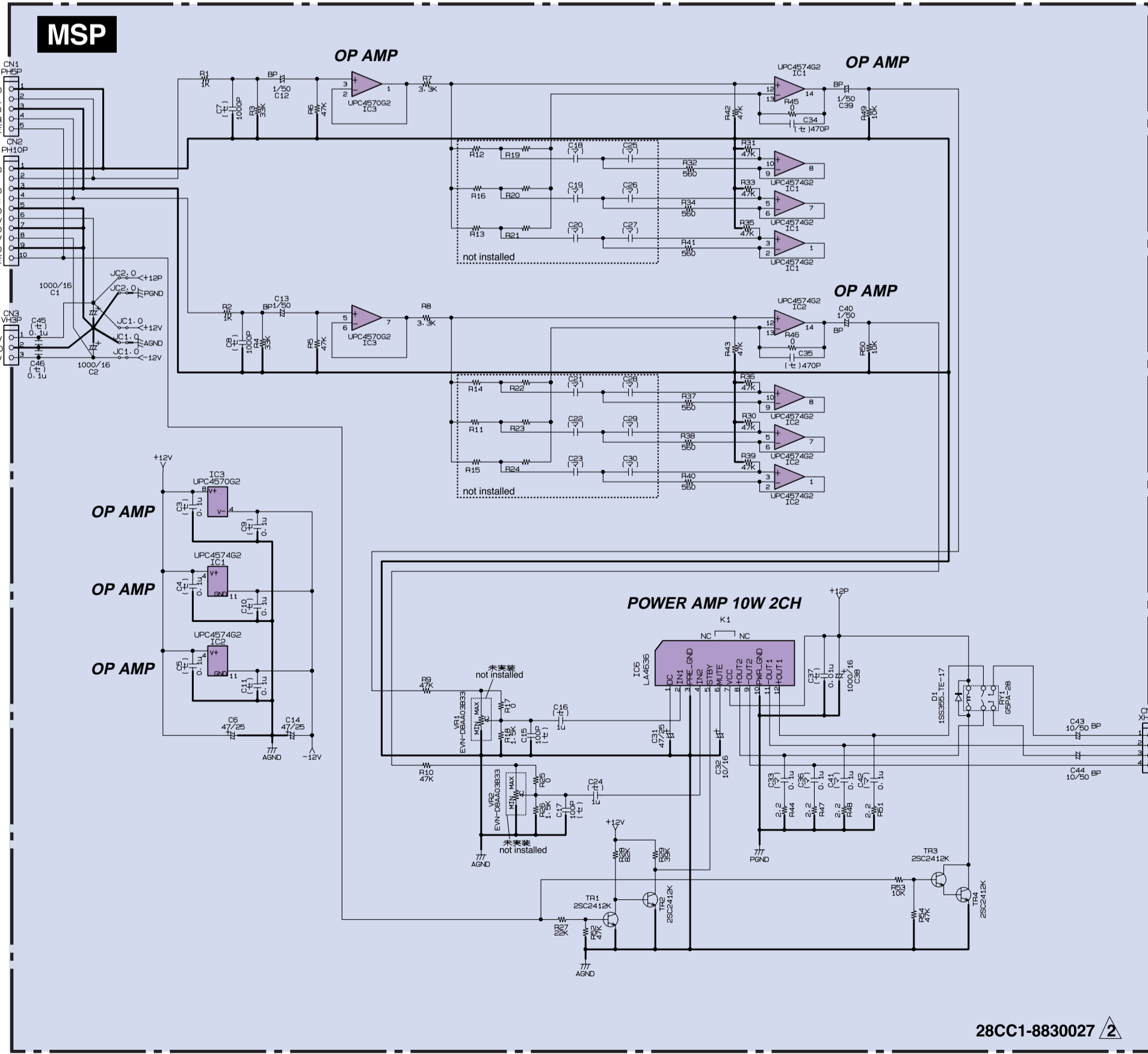
Note: See parts list for details of circuit board component parts.

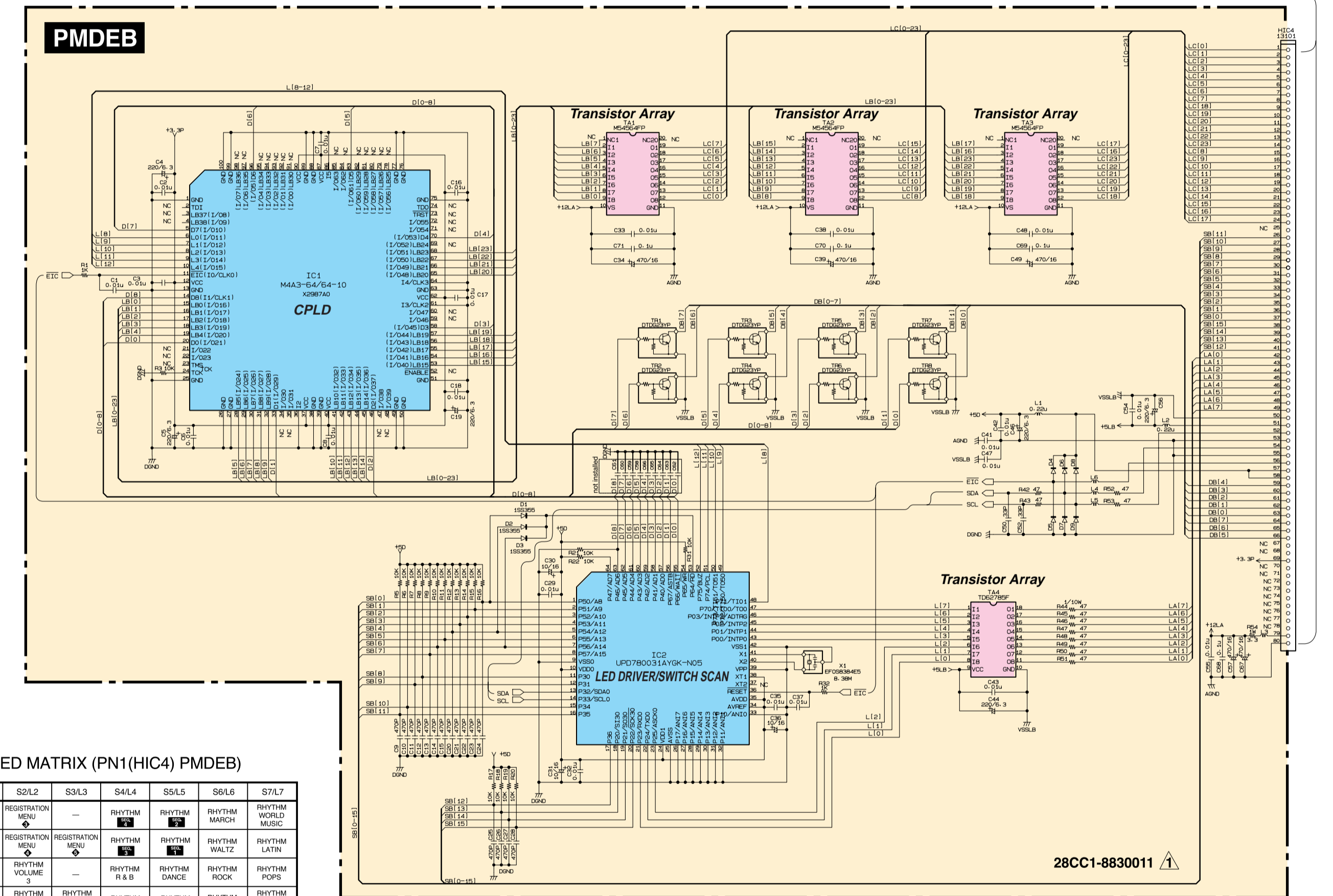
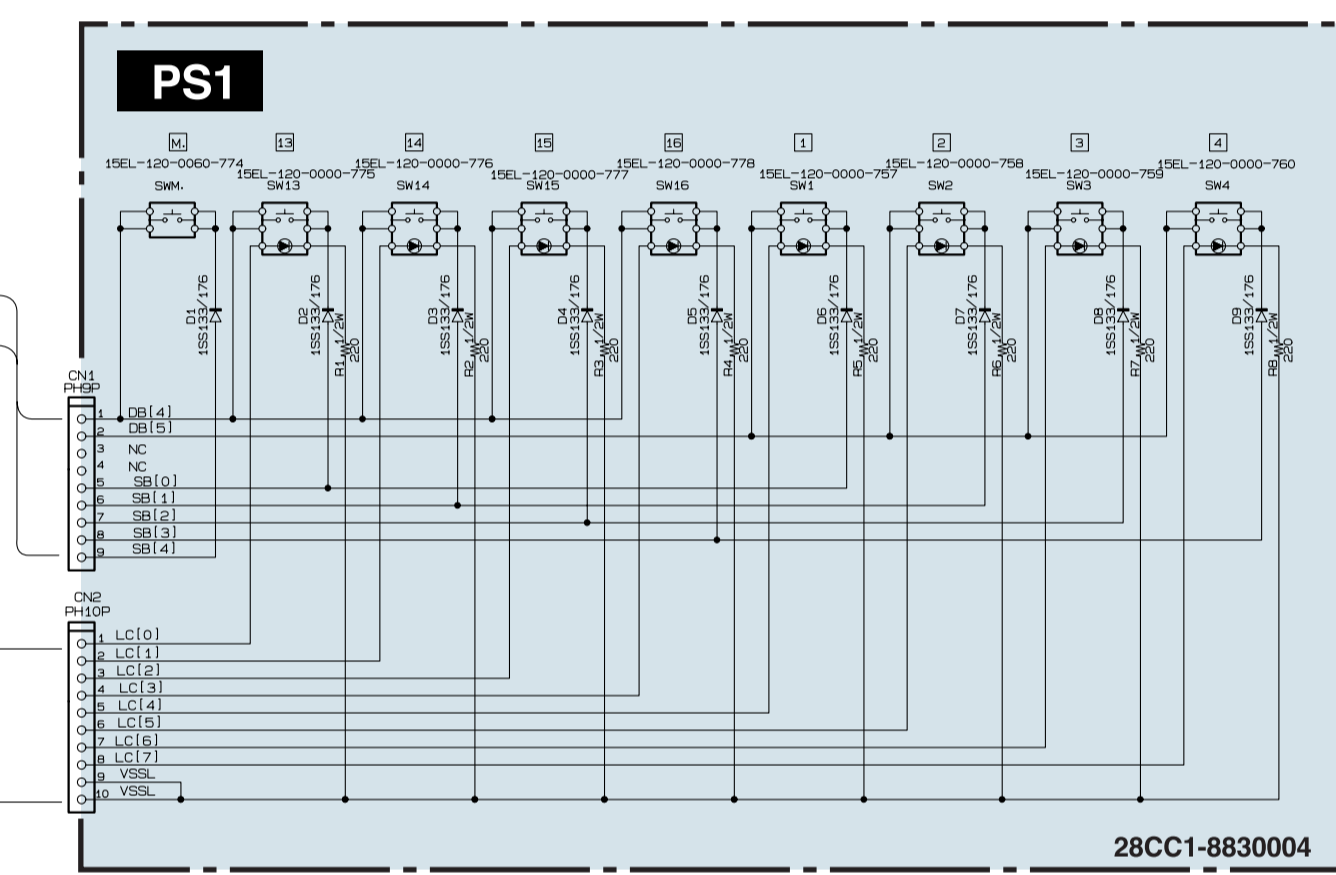
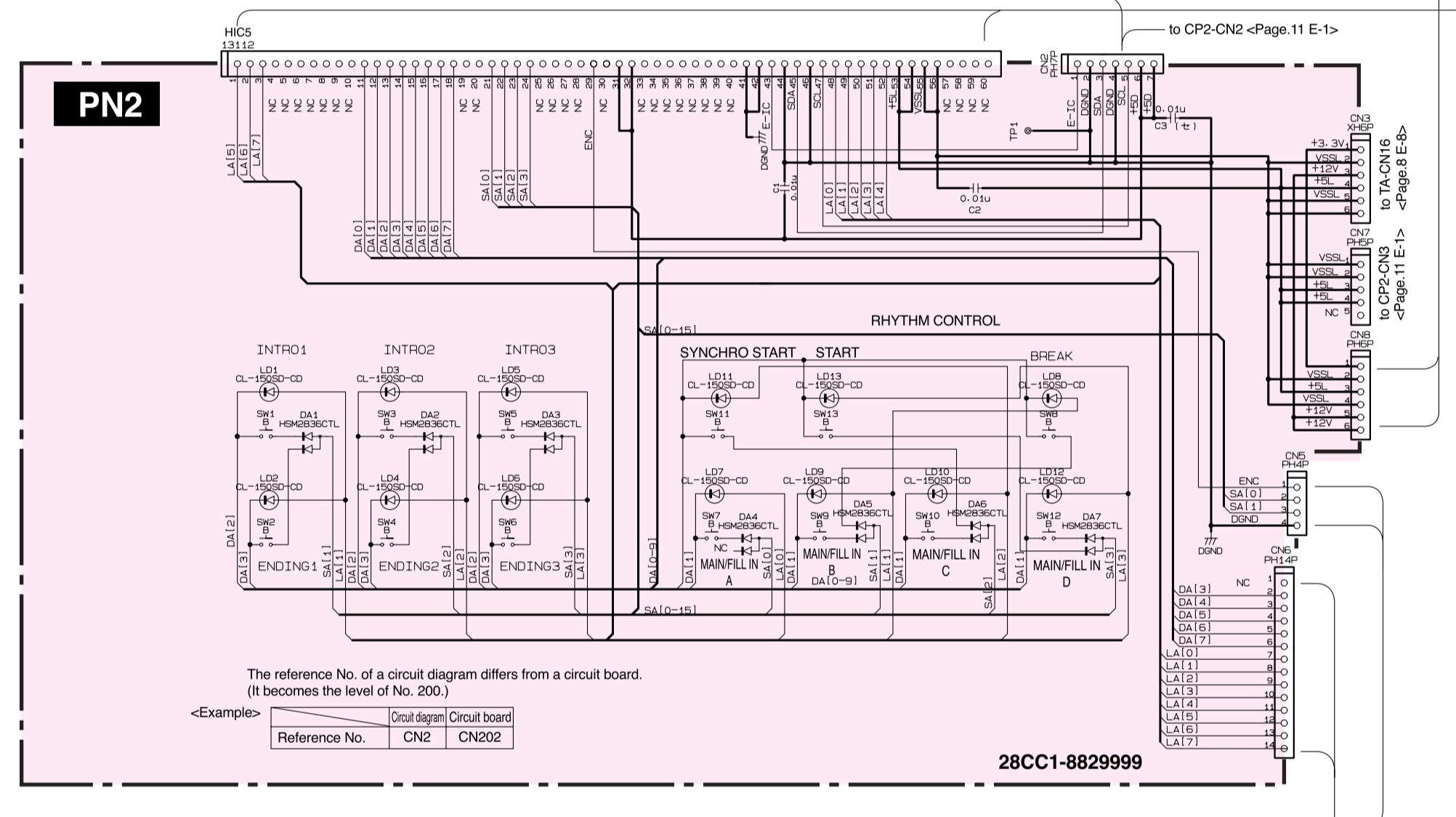
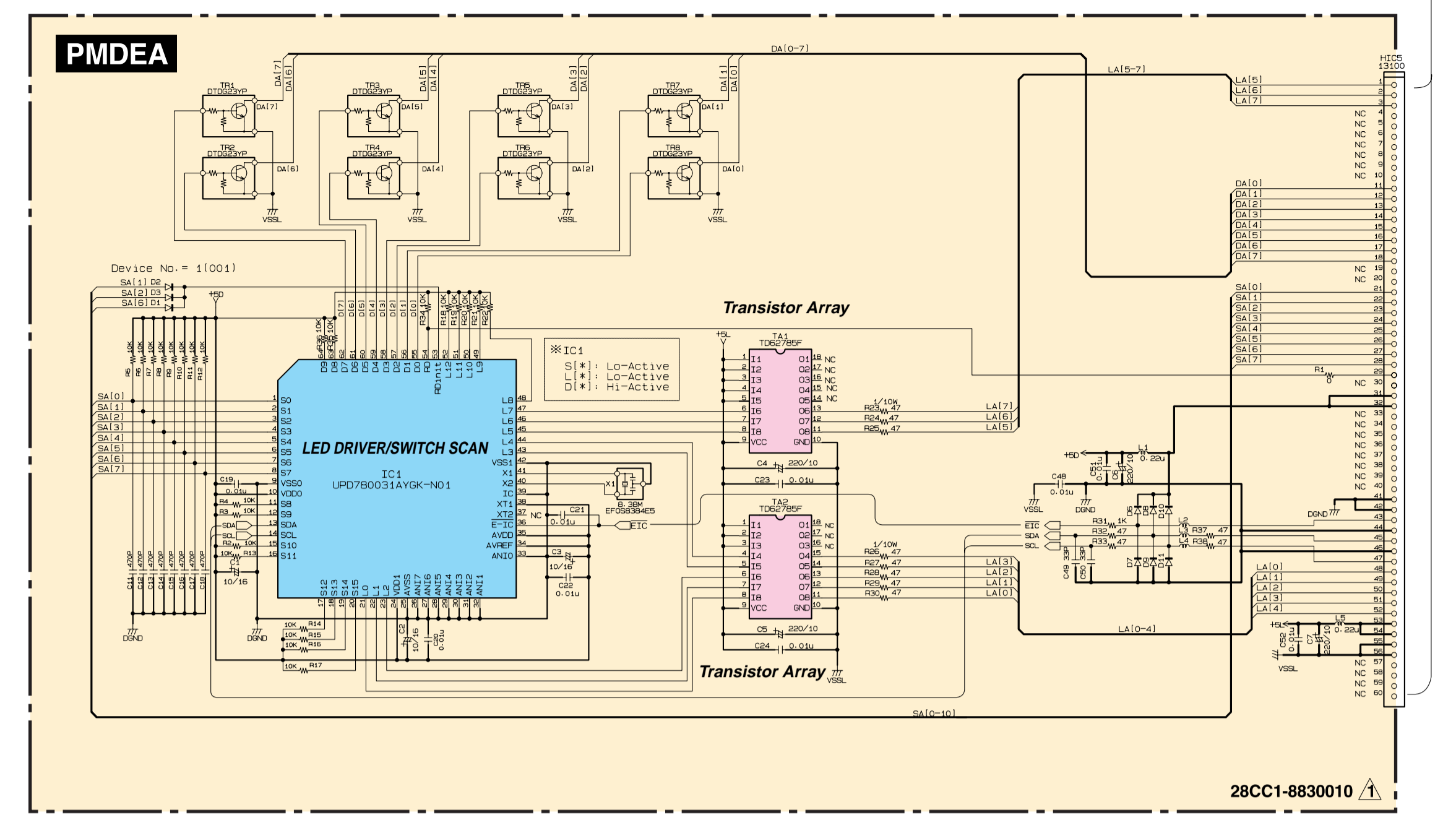
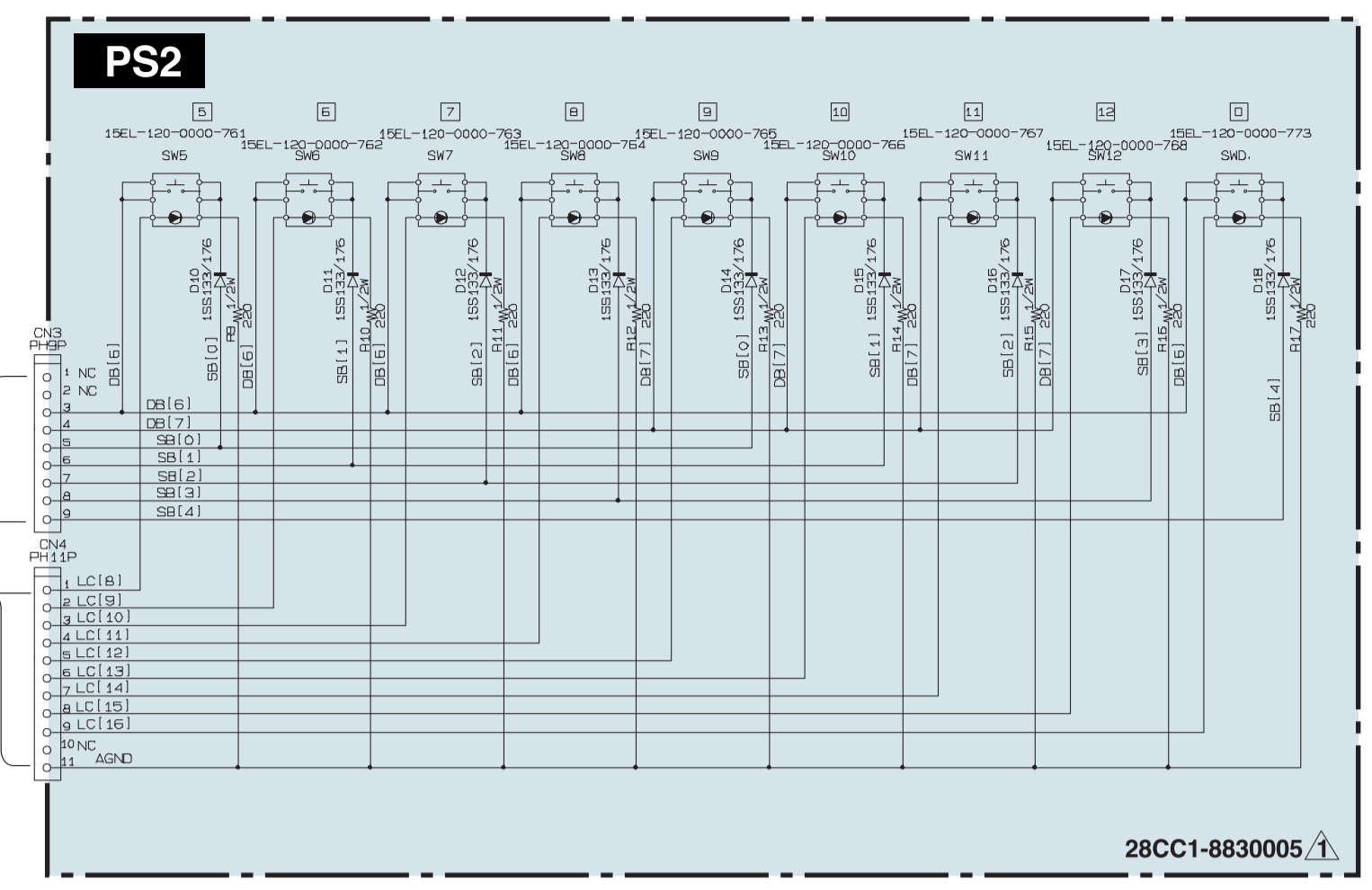
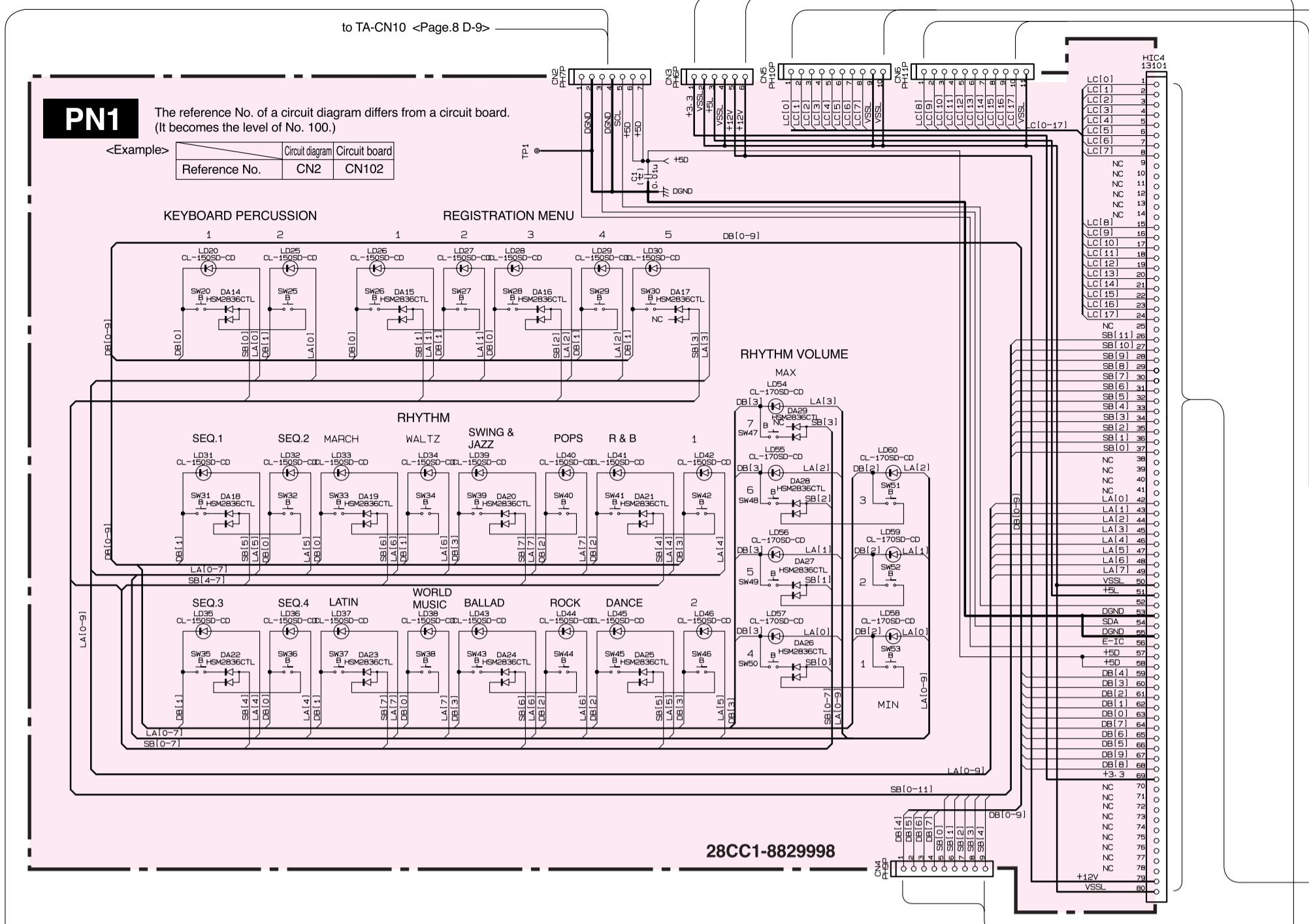


<ul style="list-style-type: none"> TARSS33 (X2642A00) REGULATOR +3.3V DAC1A: IC102 	<ul style="list-style-type: none"> μPC2905T-E1 (XV492A00) REGULATOR +5V DAC1A: IC101
<ul style="list-style-type: none"> MA221 (VB493900) DIODE AJACK: D1 - 3 DAC1A: D401 - 404 	<ul style="list-style-type: none"> RLS-73 TE-11 (VV925900) DIODE AJACK: D1 - 3 DAC1A: D401 - 404
<ul style="list-style-type: none"> EC10DS4-TE12L (VN681100) DIODE DAC1A: D101,102 	<ul style="list-style-type: none"> D1F50 (VS201100) DIODE DAC1A: D101,102

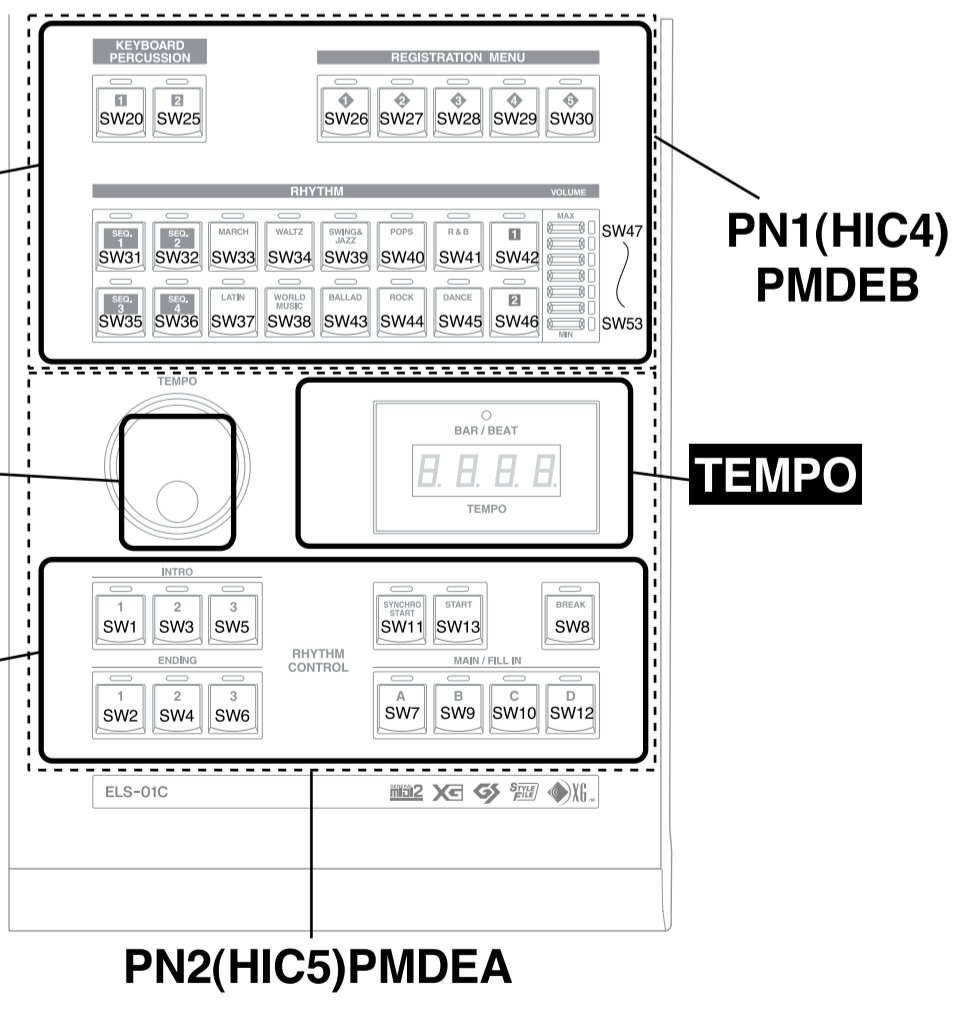
⊕ : Ceramic Capacitor
 ⊖ : Mylar Capacitor

Note: See parts list for details of circuit board component parts.





● PANEL LAYOUT (PN1, PN2, ENC1, TEMPO)



● PANEL SW/LED MATRIX (PN1(HIC4) PMDEB)

	S0L0	S1L1	S2L2	S3L3	S4L4	S5L5	S6L6	S7L7
D0	KEYBOARD PRECESSION	REGISTRATION MENU	REGISTRATION MENU	—	RHYTHM MARCH	RHYTHM WALTZ	RHYTHM WORLD MUSIC	—
D1	KEYBOARD PRECESSION	REGISTRATION MENU	REGISTRATION MENU	—	RHYTHM MARCH	RHYTHM WALTZ	RHYTHM LATIN	—
D2	RHYTHM VOLUME	RHYTHM VOLUME	RHYTHM VOLUME	—	RHYTHM R&B	RHYTHM DANCE	RHYTHM ROCK	—
D3	RHYTHM VOLUME	RHYTHM VOLUME	RHYTHM VOLUME	—	RHYTHM R&B	RHYTHM DANCE	RHYTHM BALLAD	—

● PANEL SW/LED MATRIX (PN2(HIC5) PMDEA)

	S0L0	S1L1	S2L2	S3L3	L4	L5	L6	L7
D0	—	BREAK	SYNCHRO START	START	—	—	—	—
D1	MANFILL IN A	MANFILL IN B	MANFILL IN C	MANFILL IN D	—	—	—	—
D2	—	INTRO 1	INTRO 2	INTRO 3	—	—	—	—
D3	—	ENDING 1	ENDING 2	ENDING 3	—	—	—	TEMPO LED
D4	TEMPO DISPLAY	TEMPO DISPLAY	TEMPO DISPLAY	TEMPO DISPLAY	TEMPO DISPLAY	TEMPO DISPLAY	TEMPO DISPLAY	TEMPO DISPLAY
D5	TEMPO DISPLAY	TEMPO DISPLAY	TEMPO DISPLAY	TEMPO DISPLAY	TEMPO DISPLAY	TEMPO DISPLAY	TEMPO DISPLAY	TEMPO DISPLAY
D6	TEMPO DISPLAY	TEMPO DISPLAY	TEMPO DISPLAY	TEMPO DISPLAY	TEMPO DISPLAY	TEMPO DISPLAY	TEMPO DISPLAY	TEMPO DISPLAY
D7	TEMPO DISPLAY	TEMPO DISPLAY	TEMPO DISPLAY	TEMPO DISPLAY	TEMPO DISPLAY	TEMPO DISPLAY	TEMPO DISPLAY	TEMPO DISPLAY

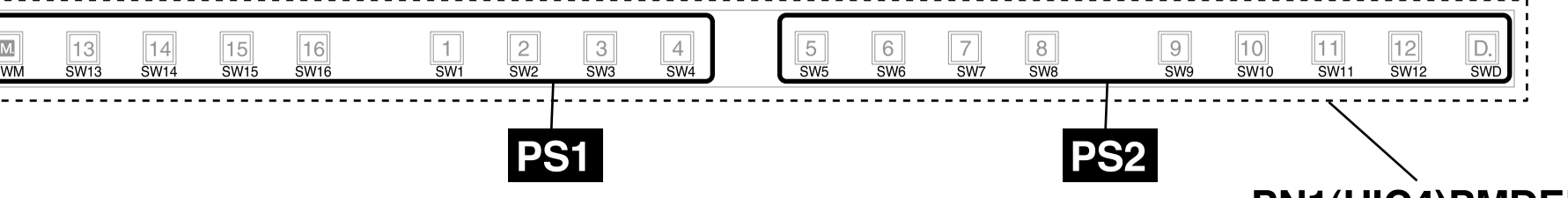
● SW MATRIX (PN1(HIC4) PMDEB)

	S0	S1	S2	S3	S4
D4	Regist. 13	Regist. 14	Regist. 15	Regist. 16	M
D5	Regist. 1	Regist. 2	Regist. 3	Regist. 4	—
D6	Regist. 5	Regist. 6	Regist. 7	Regist. 8	D
D7	Regist. 9	Regist. 10	Regist. 11	Regist. 12	—

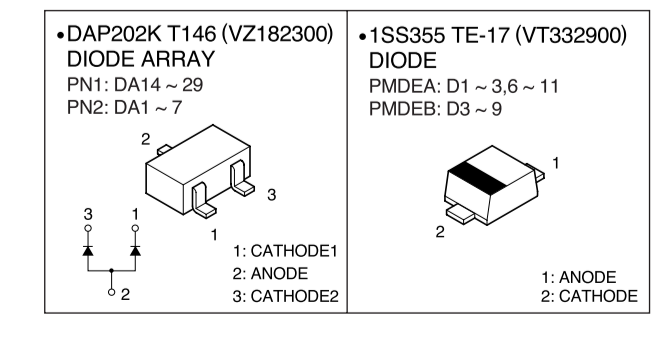
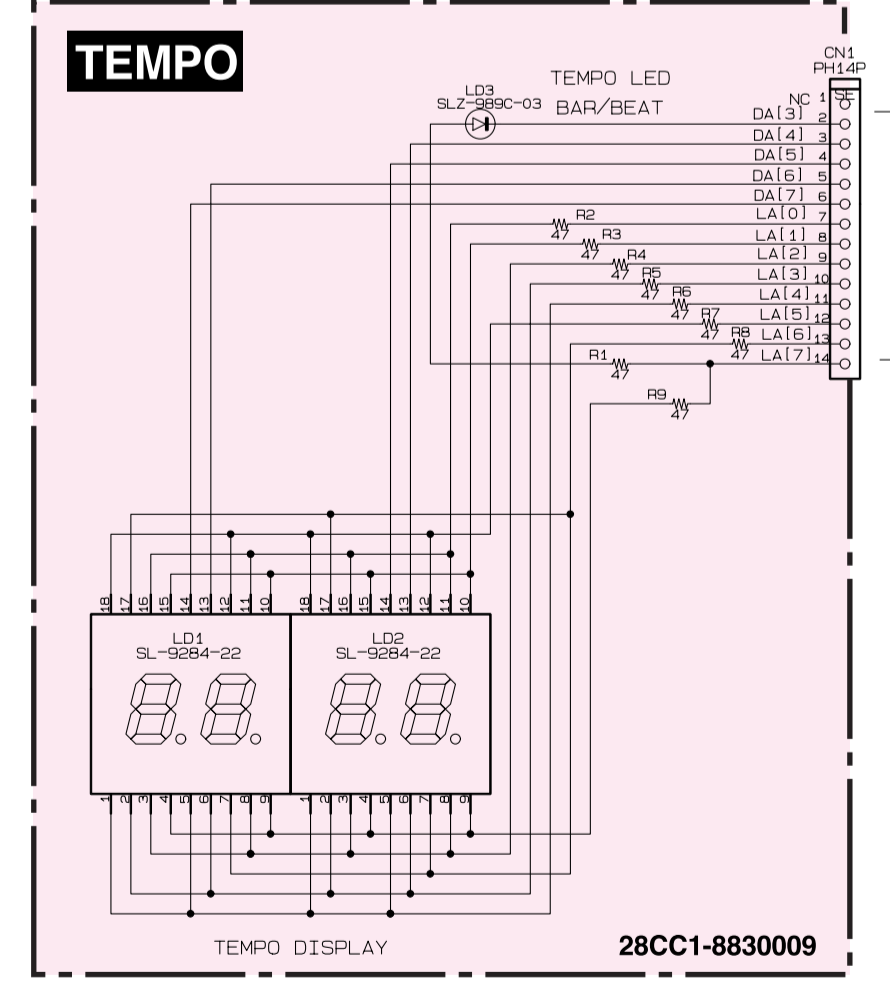
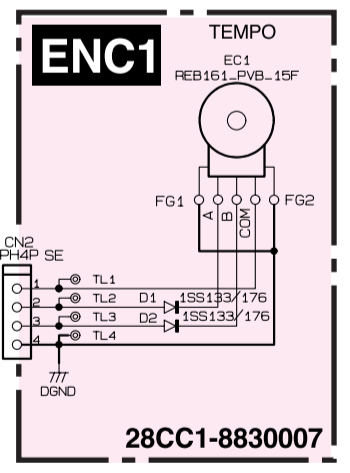
● LED MATRIX (PN1(HIC4) PMDEB)

	L0	L1	L2	L3	L4	L5	L6	L7	L8	L9	L10	L11	L12	L13	L14	L15	L16
Vsig	Regist. 13	Regist. 14	Regist. 15	Regist. 16	Regist. 1	Regist. 2	Regist. 3	Regist. 4	Regist. 5	Regist. 6	Regist. 7	Regist. 8	Regist. 9	Regist. 10	Regist. 11	Regist. 12	D

● PANEL LAYOUT (PS1, PS2)

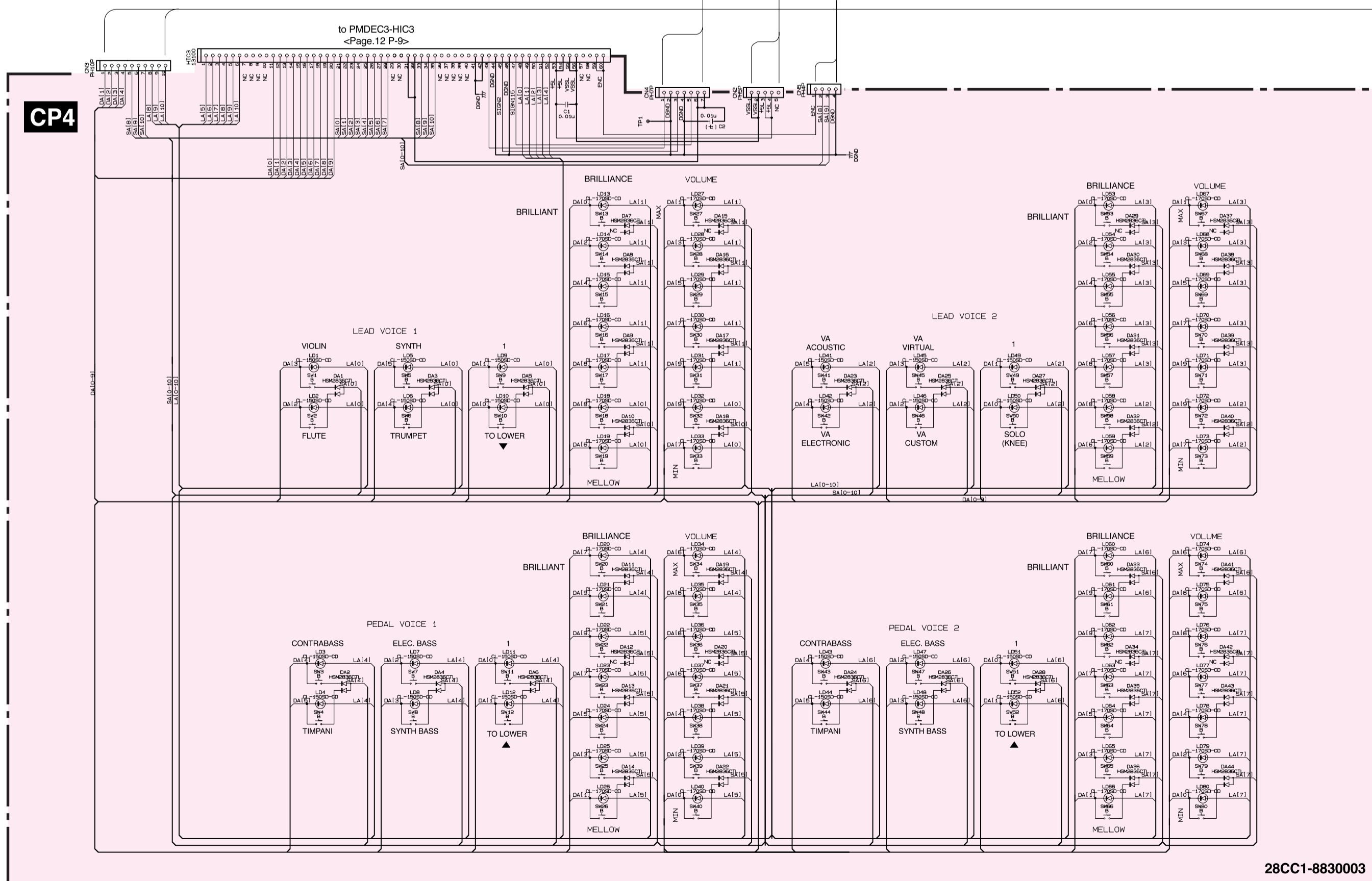
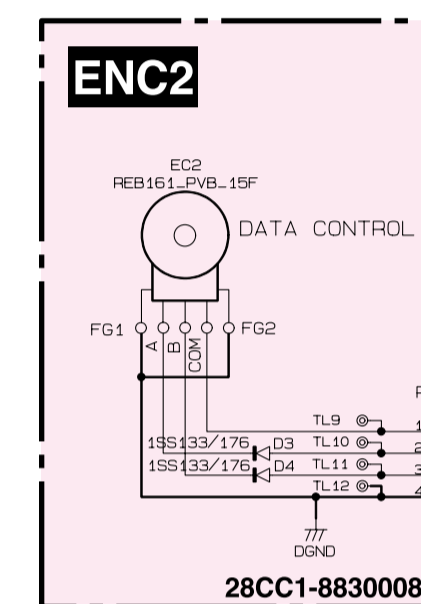
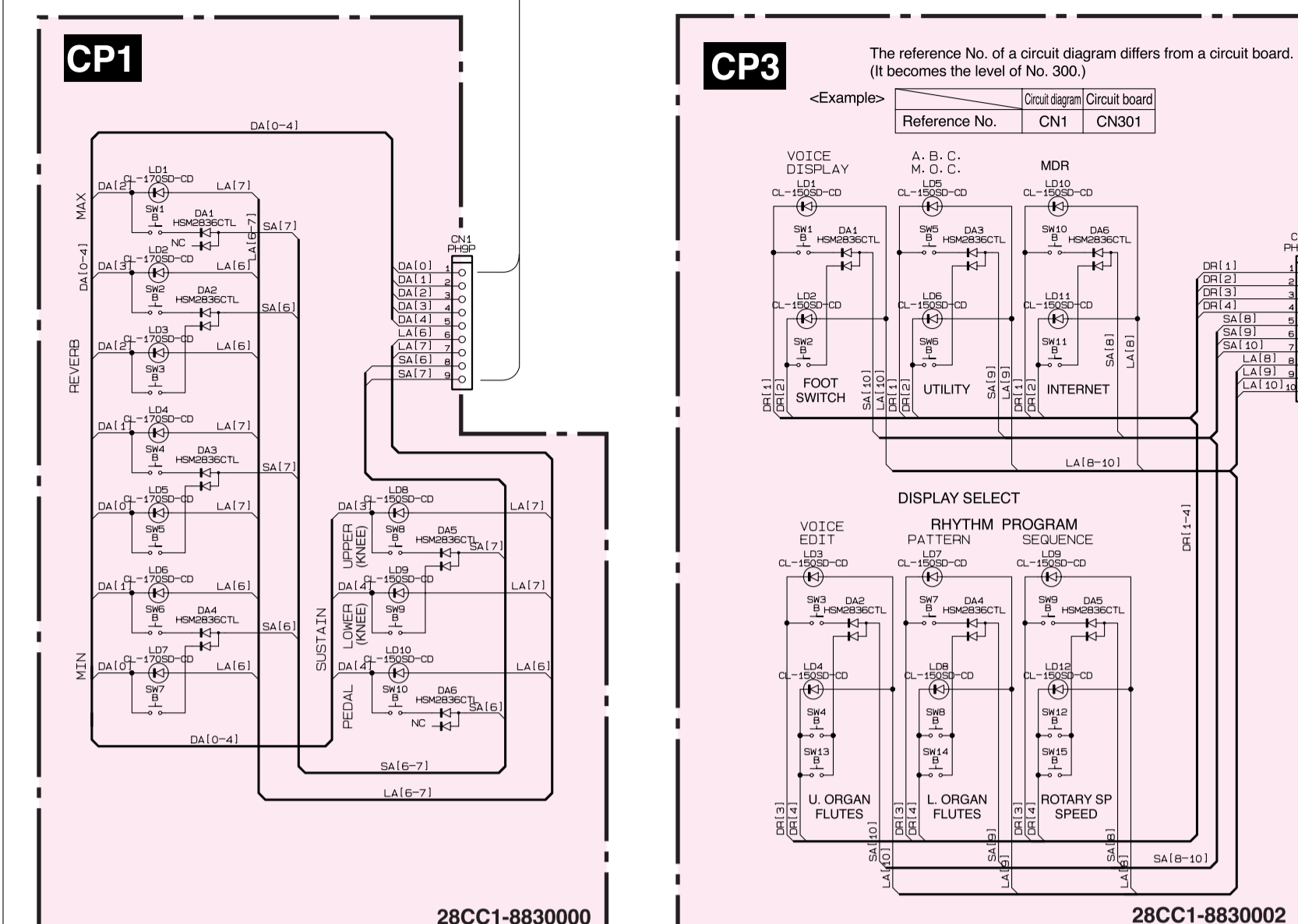
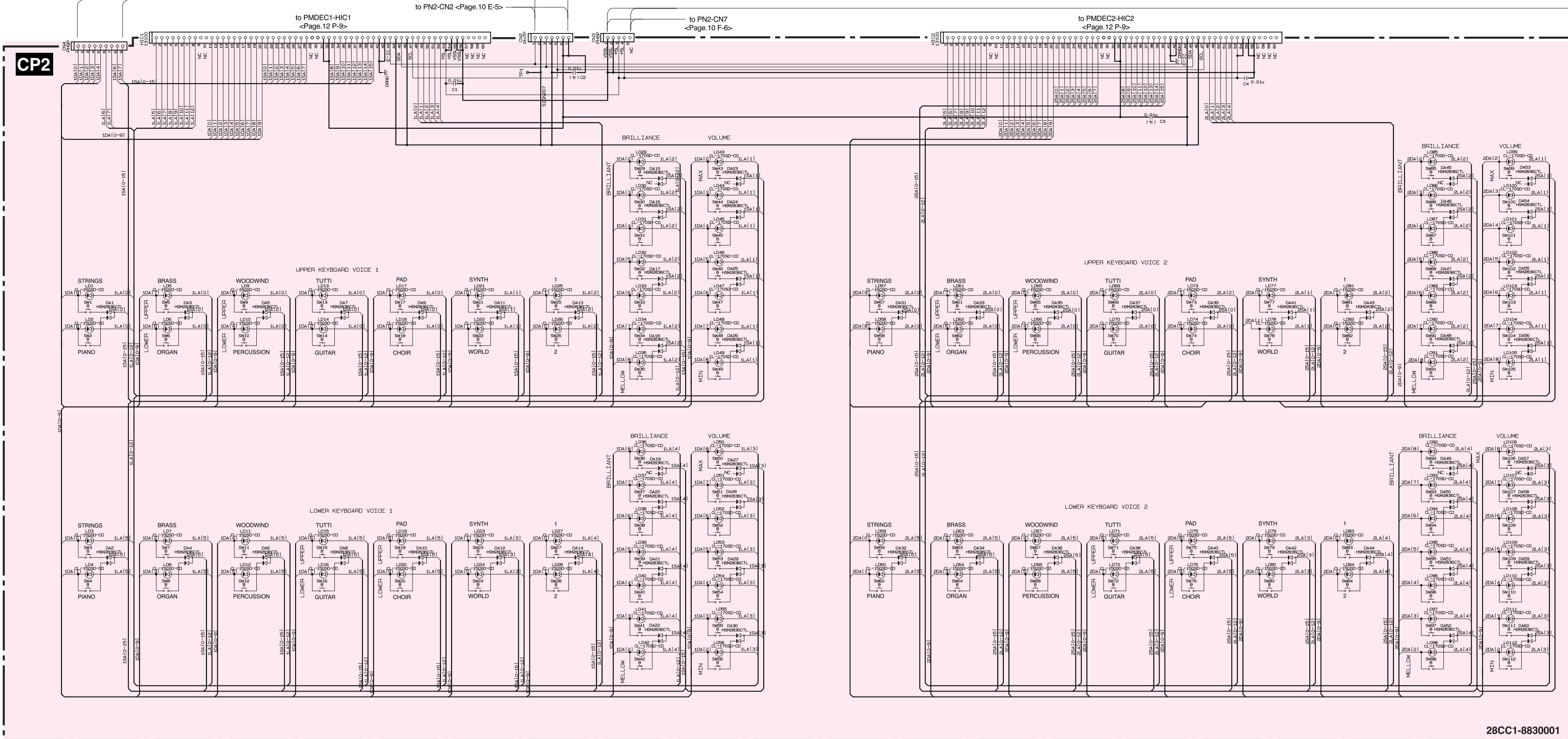


PN1(HIC4)PMDEB

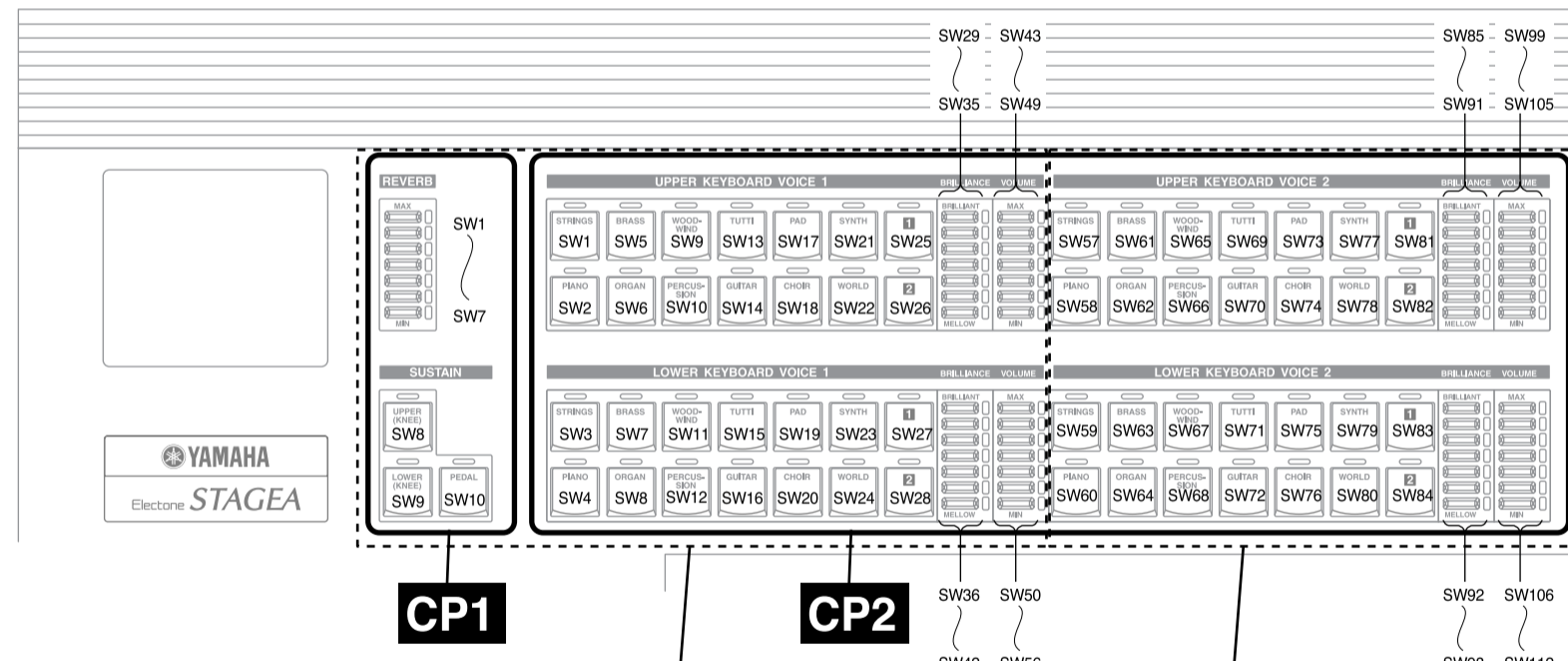


(C): Ceramic Capacitor

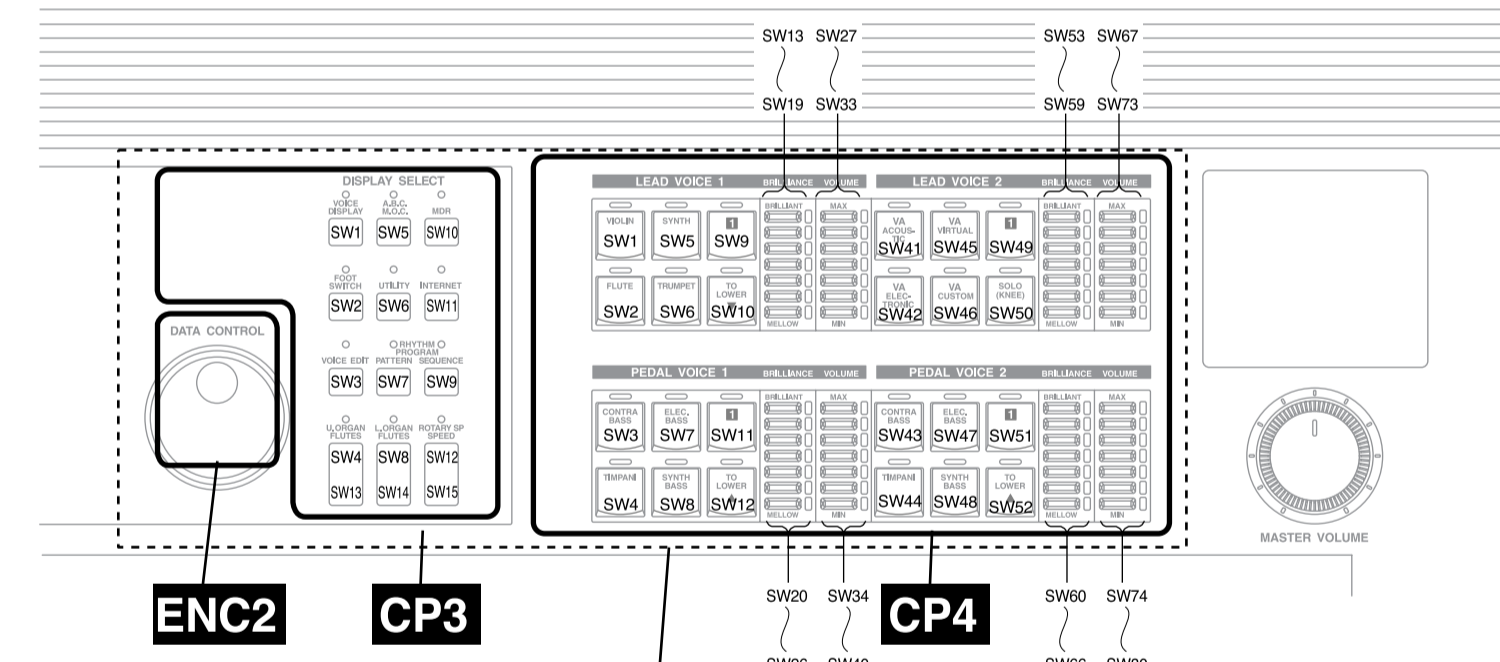
Note: See parts list for details of circuit board component parts.



● PANEL LAYOUT (CP1, CP2)



● PANEL LAYOUT (CP3, CP4, ENC2)



● PANEL SW/LED MATRIX (CP2(HIC1) PMDEC1)

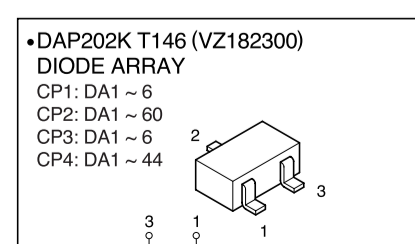
	S0/L0	S1/L1	S2/L2	S3/L3	S4/L4	S5/L5	S6/L6	S7/L7
D0	UK VOICE1 CHOR	UK VOICE1 SYNTH	UK VOICE1 WORLD	UK VOICE1 PIANO	UK VOICE1 STRINGS	REVERB MN1	REVERB 3	REVERB 4
D1	UK VOICE1 PAD	UK VOICE1 WORLD	UK VOICE1 SYNTH	UK VOICE1 PIANO	UK VOICE1 STRINGS	REVERB MN1	REVERB 3	REVERB 4
D2	UK VOICE1 GUITAR	UK VOICE1 VOLUME MAX 7	UK VOICE1 BRILLIANCE 7	UK VOICE1 BRILLIANCE 7	UK VOICE1 BRILLIANCE 7	UK VOICE1 BRILLIANCE 7	UK VOICE1 BRILLIANCE 7	UK VOICE1 BRILLIANCE 7
D3	UK VOICE1 TUTTI	UK VOICE1 VOLUME 6	UK VOICE1 BRILLIANCE 6	UK VOICE1 BRILLIANCE 6	UK VOICE1 BRILLIANCE 6	UK VOICE1 BRILLIANCE 6	UK VOICE1 BRILLIANCE 6	UK VOICE1 BRILLIANCE 6
D4	UK VOICE1 PERCUSSION	UK VOICE1 VOLUME 5	UK VOICE1 BRILLIANCE 5	UK VOICE1 BRILLIANCE 5	UK VOICE1 BRILLIANCE 5	UK VOICE1 BRILLIANCE 5	UK VOICE1 BRILLIANCE 5	UK VOICE1 BRILLIANCE 5
D5	UK VOICE1 WOODWIND	UK VOICE1 VOLUME 4	UK VOICE1 BRILLIANCE 4	UK VOICE1 BRILLIANCE 4	UK VOICE1 BRILLIANCE 4	UK VOICE1 BRILLIANCE 4	UK VOICE1 BRILLIANCE 4	UK VOICE1 BRILLIANCE 4
D6	UK VOICE1 ORGAN	UK VOICE1 VOLUME 3	UK VOICE1 BRILLIANCE 3	UK VOICE1 BRILLIANCE 3	UK VOICE1 BRILLIANCE 3	UK VOICE1 BRILLIANCE 3	UK VOICE1 BRILLIANCE 3	UK VOICE1 BRILLIANCE 3
D7	UK VOICE1 BRASS	UK VOICE1 VOLUME 2	UK VOICE1 BRILLIANCE 2	UK VOICE1 BRILLIANCE 2	UK VOICE1 BRILLIANCE 2	UK VOICE1 BRILLIANCE 2	UK VOICE1 BRILLIANCE 2	UK VOICE1 BRILLIANCE 2
D8	UK VOICE1 PIANO	UK VOICE1 VOLUME 1	UK VOICE1 BRILLIANCE 1	UK VOICE1 BRILLIANCE 1	UK VOICE1 BRILLIANCE 1	UK VOICE1 BRILLIANCE 1	UK VOICE1 BRILLIANCE 1	UK VOICE1 BRILLIANCE 1
D9	UK VOICE1 STRINGS	—	—	—	—	—	—	—

● PANEL SW/LED MATRIX (CP2(HIC2) PMDEC2)

	S0/L0	S1/L1	S2/L2	S3/L3	S4/L4	S5/L5
D0	UK VOICE2 CHOR	UK VOICE2 SYNTH	UK VOICE2 WORLD	UK VOICE2 PIANO	UK VOICE2 STRINGS	UK VOICE2 STRINGS
D1	UK VOICE2 PAD	UK VOICE2 WORLD	UK VOICE2 SYNTH	UK VOICE2 PIANO	UK VOICE2 STRINGS	UK VOICE2 STRINGS
D2	UK VOICE2 GUITAR	UK VOICE2 VOLUME MAX 7	UK VOICE2 BRILLIANCE 7	UK VOICE2 BRILLIANCE 7	UK VOICE2 BRILLIANCE 7	UK VOICE2 BRILLIANCE 7
D3	UK VOICE2 TUTTI	UK VOICE2 VOLUME 6	UK VOICE2 BRILLIANCE 6	UK VOICE2 BRILLIANCE 6	UK VOICE2 BRILLIANCE 6	UK VOICE2 BRILLIANCE 6
D4	UK VOICE2 PERCUSSION	UK VOICE2 VOLUME 5	UK VOICE2 BRILLIANCE 5	UK VOICE2 BRILLIANCE 5	UK VOICE2 BRILLIANCE 5	UK VOICE2 BRILLIANCE 5
D5	UK VOICE2 WOODWIND	UK VOICE2 VOLUME 4	UK VOICE2 BRILLIANCE 4	UK VOICE2 BRILLIANCE 4	UK VOICE2 BRILLIANCE 4	UK VOICE2 BRILLIANCE 4
D6	UK VOICE2 ORGAN	UK VOICE2 VOLUME 3	UK VOICE2 BRILLIANCE 3	UK VOICE2 BRILLIANCE 3	UK VOICE2 BRILLIANCE 3	UK VOICE2 BRILLIANCE 3
D7	UK VOICE2 BRASS	UK VOICE2 VOLUME 2	UK VOICE2 BRILLIANCE 2	UK VOICE2 BRILLIANCE 2	UK VOICE2 BRILLIANCE 2	UK VOICE2 BRILLIANCE 2
D8	UK VOICE2 PIANO	UK VOICE2 VOLUME 1	UK VOICE2 BRILLIANCE 1	UK VOICE2 BRILLIANCE 1	UK VOICE2 BRILLIANCE 1	UK VOICE2 BRILLIANCE 1
D9	UK VOICE2 STRINGS	—	—	—	—	—

● PANEL SW/LED MATRIX (CP4(HIC3) PMDEC3)

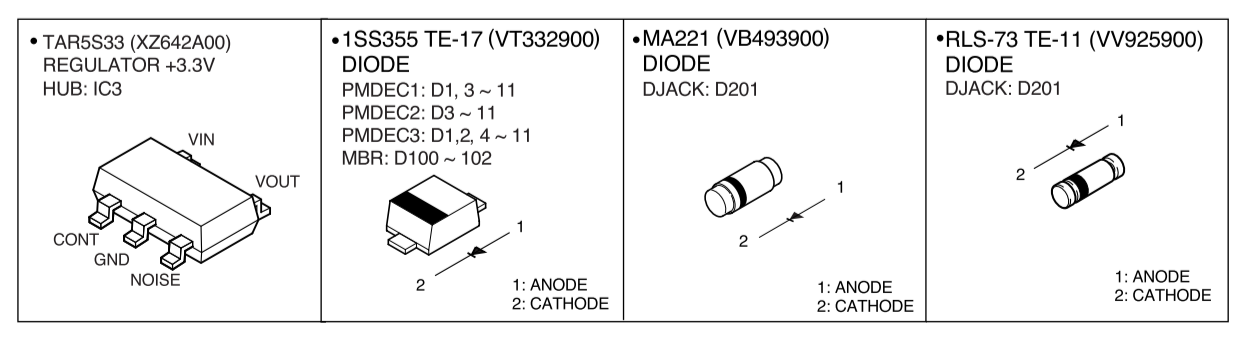
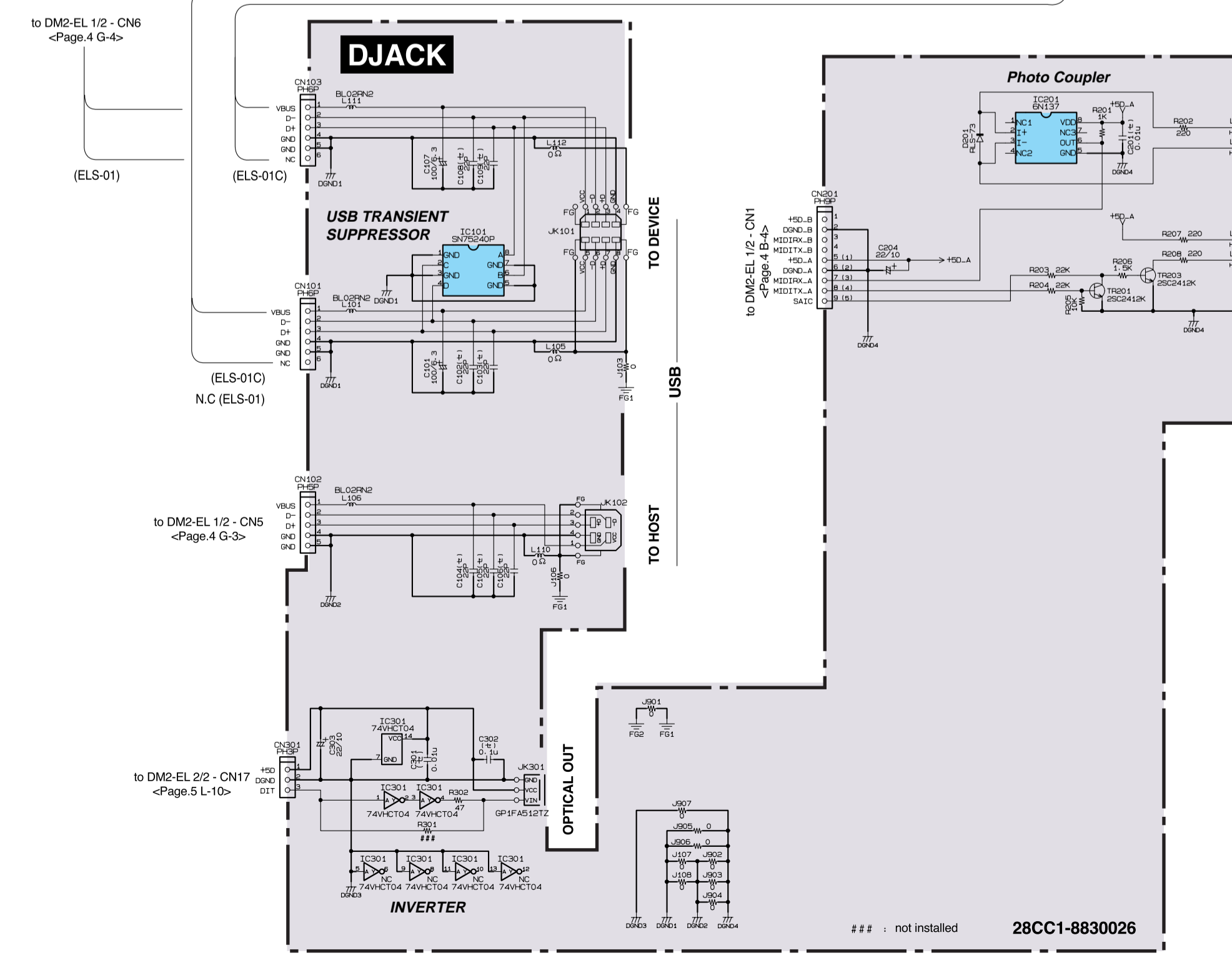
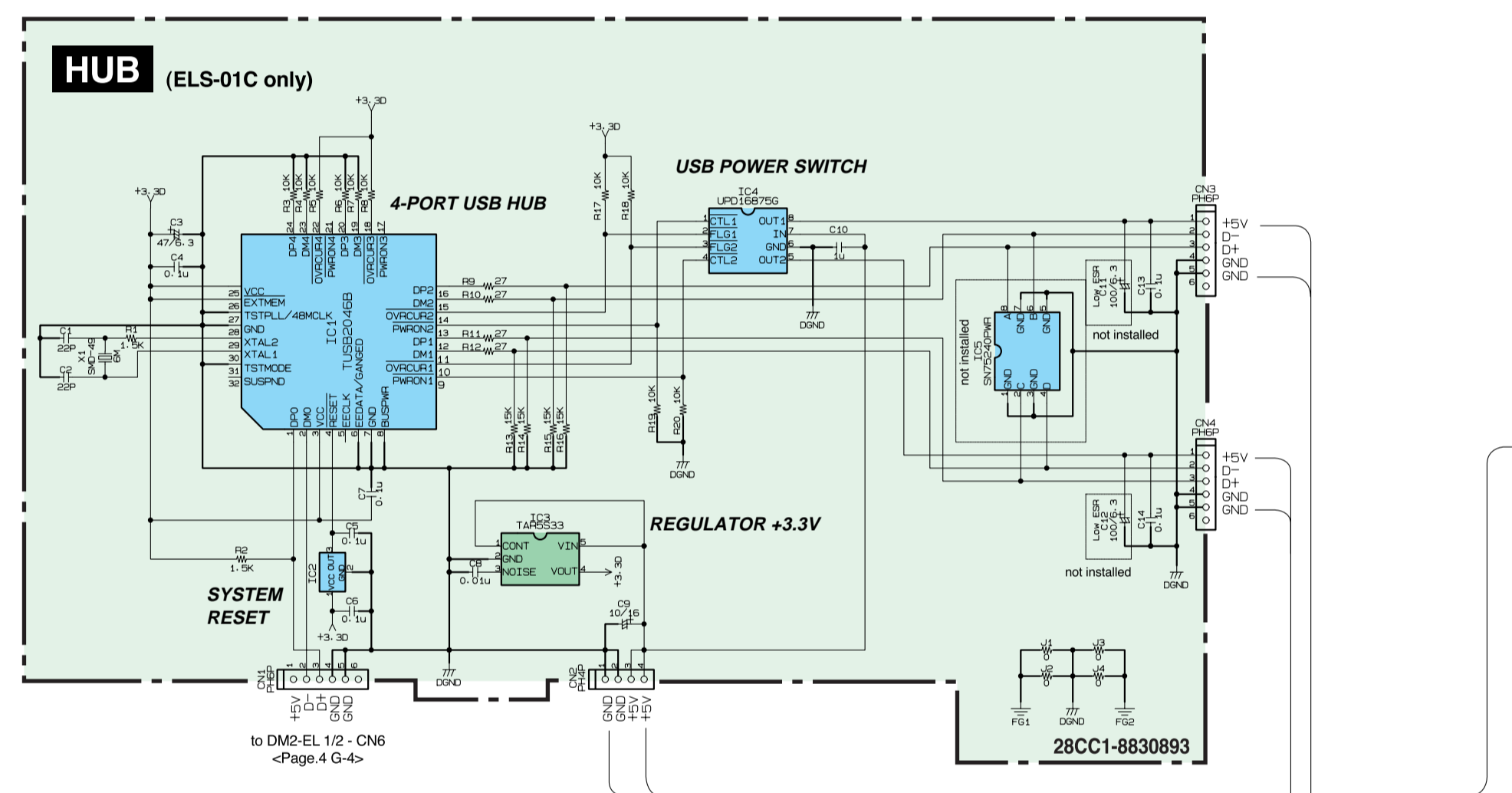
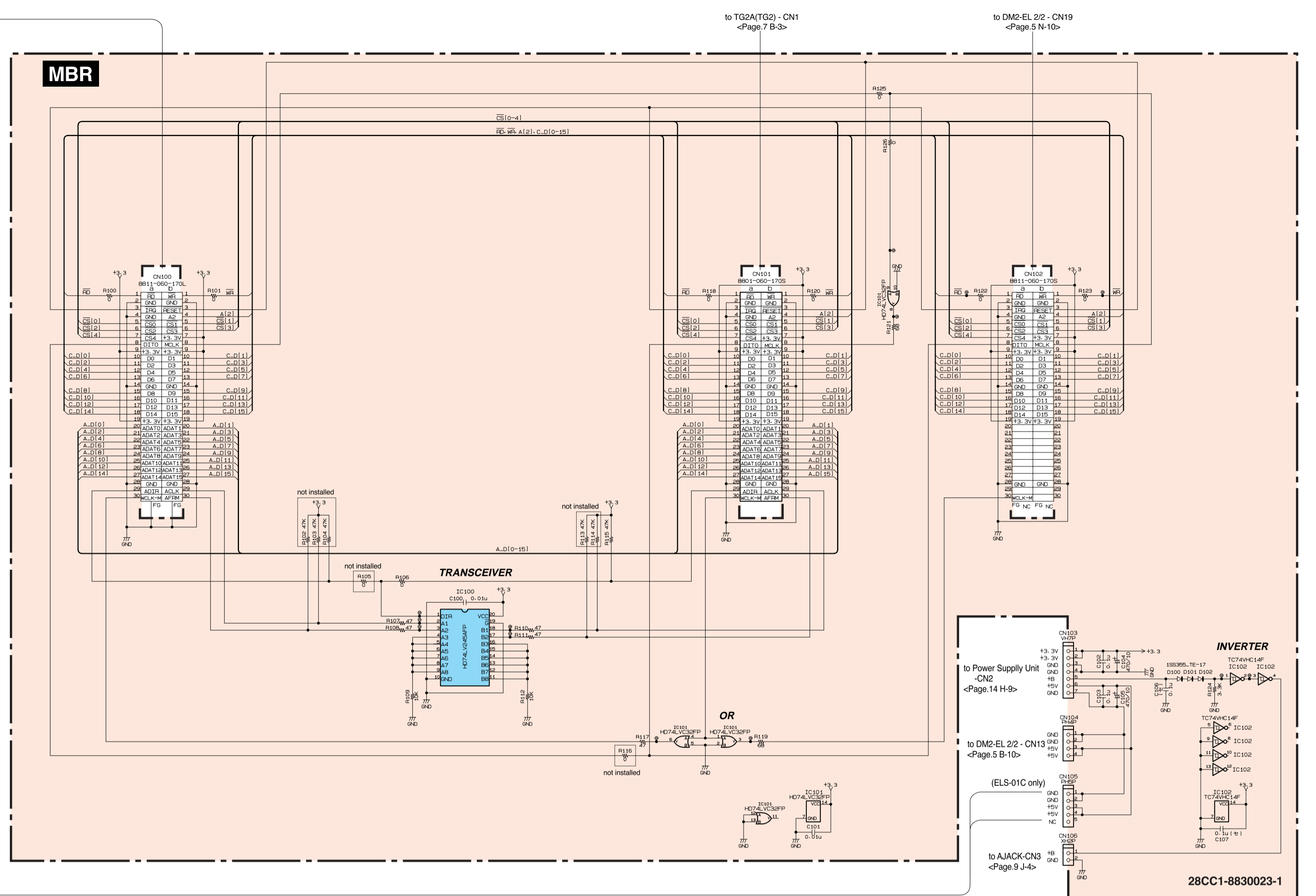
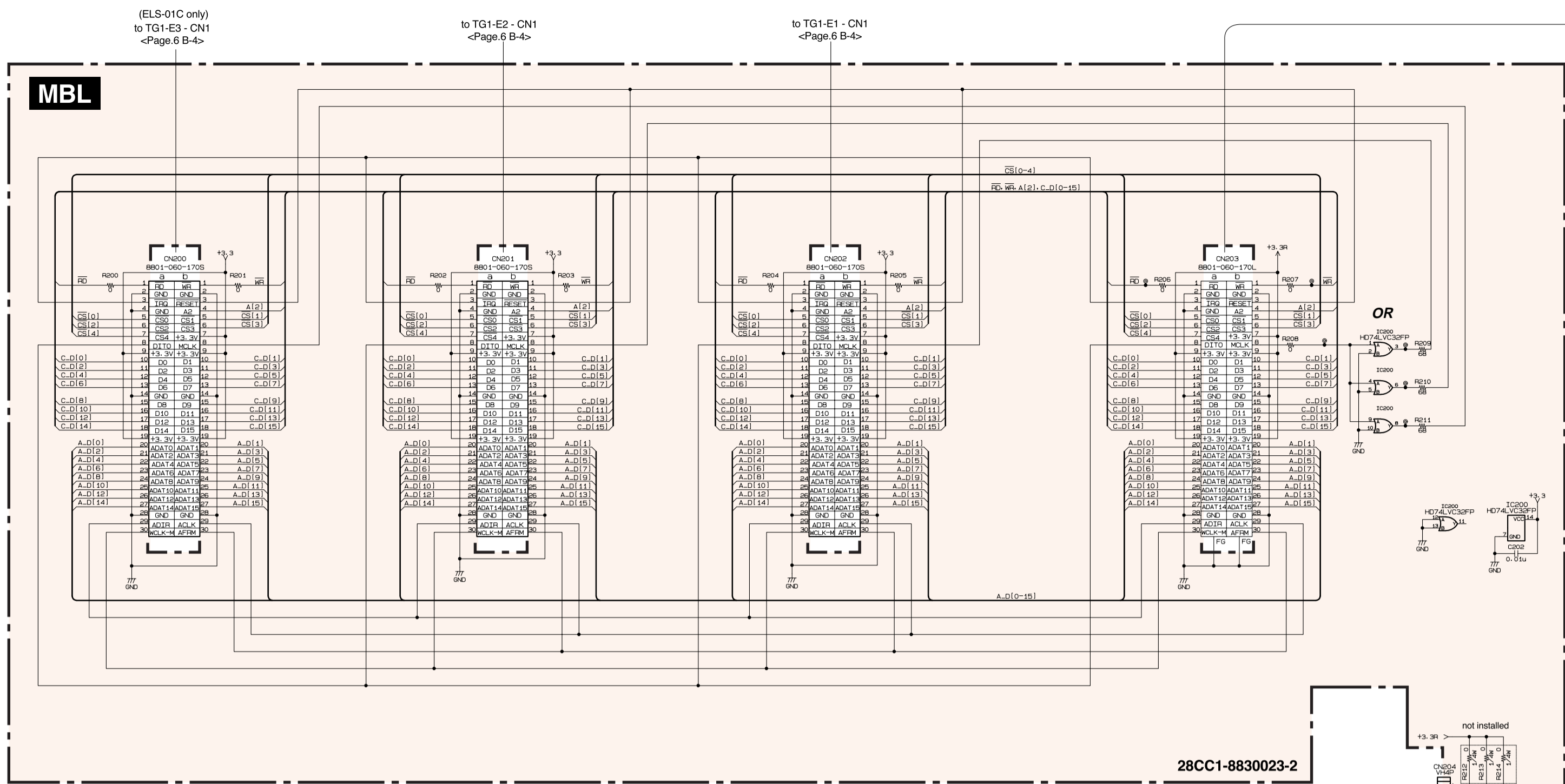
	S0/L0	S1/L1	S2/L2	S3/L3	S4/L4	S5/L5	S6/L6	S7/L7	S8/L8	S9/L9	S10/L10
D0	LEAD VOICE1 BRILLIANCE 1	LEAD VOICE1 BRILLIANCE 1	LEAD VOICE1 BRILLIANCE 1	LEAD VOICE1 BRILLIANCE 1	LEAD VOICE1 BRILLIANCE 1	LEAD VOICE1 BRILLIANCE 1	LEAD VOICE1 BRILLIANCE 1	LEAD VOICE1 BRILLIANCE 1	LEAD VOICE1 BRILLIANCE 1	LEAD VOICE1 BRILLIANCE 1	LEAD VOICE1 BRILLIANCE 1
D1	LEAD VOICE1 BRILLIANCE 2	LEAD VOICE1 BRILLIANCE 2	LEAD VOICE1 BRILLIANCE 2	LEAD VOICE1 BRILLIANCE 2	LEAD VOICE1 BRILLIANCE 2	LEAD VOICE1 BRILLIANCE 2	LEAD VOICE1 BRILLIANCE 2	LEAD VOICE1 BRILLIANCE 2	LEAD VOICE1 BRILLIANCE 2	LEAD VOICE1 BRILLIANCE 2	LEAD VOICE1 BRILLIANCE 2
D2	LEAD VOICE1 BRILLIANCE 3	LEAD VOICE1 BRILLIANCE 3	LEAD VOICE1 BRILLIANCE 3	LEAD VOICE1 BRILLIANCE 3	LEAD VOICE1 BRILLIANCE 3	LEAD VOICE1 BRILLIANCE 3	LEAD VOICE1 BRILLIANCE 3	LEAD VOICE1 BRILLIANCE 3	LEAD VOICE1 BRILLIANCE 3	LEAD VOICE1 BRILLIANCE 3	LEAD VOICE1 BRILLIANCE 3
D3	LEAD VOICE1 BRILLIANCE 4	LEAD VOICE1 BRILLIANCE 4	LEAD VOICE1 BRILLIANCE 4	LEAD VOICE1 BRILLIANCE 4	LEAD VOICE1 BRILLIANCE 4	LEAD VOICE1 BRILLIANCE 4	LEAD VOICE1 BRILLIANCE 4	LEAD VOICE1 BRILLIANCE 4	LEAD VOICE1 BRILLIANCE 4	LEAD VOICE1 BRILLIANCE 4	LEAD VOICE1 BRILLIANCE 4
D4	LEAD VOICE1 BRILLIANCE 5	LEAD VOICE1 BRILLIANCE 5	LEAD VOICE1 BRILLIANCE 5	LEAD VOICE1 BRILLIANCE 5	LEAD VOICE1 BRILLIANCE 5	LEAD VOICE1 BRILLIANCE 5	LEAD VOICE1 BRILLIANCE 5	LEAD VOICE1 BRILLIANCE 5	LEAD VOICE1 BRILLIANCE 5	LEAD VOICE1 BRILLIANCE 5	LEAD VOICE1 BRILLIANCE 5
D5	LEAD VOICE1 BRILLIANCE 6	LEAD VOICE1 BRILLIANCE 6	LEAD VOICE1 BRILLIANCE 6	LEAD VOICE1 BRILLIANCE 6	LEAD VOICE1 BRILLIANCE 6	LEAD VOICE1 BRILLIANCE 6	LEAD VOICE1 BRILLIANCE 6	LEAD VOICE1 BRILLIANCE 6	LEAD VOICE1 BRILLIANCE 6	LEAD VOICE1 BRILLIANCE 6	LEAD VOICE1 BRILLIANCE 6
D6	LEAD VOICE1 BRILLIANCE 7	LEAD VOICE1 BRILLIANCE 7	LEAD VOICE1 BRILLIANCE 7	LEAD VOICE1 BRILLIANCE 7	LEAD VOICE1 BRILLIANCE 7	LEAD VOICE1 BRILLIANCE 7	LEAD VOICE1 BRILLIANCE 7	LEAD VOICE1 BRILLIANCE 7	LEAD VOICE1 BRILLIANCE 7	LEAD VOICE1 BRILLIANCE 7	LEAD VOICE1 BRILLIANCE 7
D7	LEAD VOICE1 BRILLIANCE 8	LEAD VOICE1 BRILLIANCE 8	LEAD VOICE1 BRILLIANCE 8	LEAD VOICE1 BRILLIANCE 8	LEAD VOICE1 BRILLIANCE 8	LEAD VOICE1 BRILLIANCE 8	LEAD VOICE1 BRILLIANCE 8	LEAD VOICE1 BRILLIANCE 8	LEAD VOICE1 BRILLIANCE 8	LEAD VOICE1 BRILLIANCE 8	LEAD VOICE1 BRILLIANCE 8
D8	LEAD VOICE1 BRILLIANCE 9	LEAD VOICE1 BRILLIANCE 9	LEAD VOICE1 BRILLIANCE 9	LEAD VOICE1 BRILLIANCE 9	LEAD VOICE1 BRILLIANCE 9	LEAD VOICE1 BRILLIANCE 9	LEAD VOICE1 BRILLIANCE 9	LEAD VOICE1 BRILLIANCE 9	LEAD VOICE1 BRILLIANCE 9	LEAD VOICE1 BRILLIANCE 9	LEAD VOICE1 BRILLIANCE 9
D9	LEAD VOICE1 BRILLIANCE 10	LEAD VOICE1 BRILLIANCE 10	LEAD VOICE1 BRILLIANCE 10	LEAD VOICE1 BRILLIANCE 10	LEAD VOICE1 BRILLIANCE 10	LEAD VOICE1 BRILLIANCE 10	LEAD VOICE1 BRILLIANCE 10	LEAD VOICE1 BRILLIANCE 10	LEAD VOICE1 BRILLIANCE 10	LEAD VOICE1 BRILLIANCE 10	LEAD VOICE1 BRILLIANCE 10



1: Cathode1
2: Anode
3: Cathode2

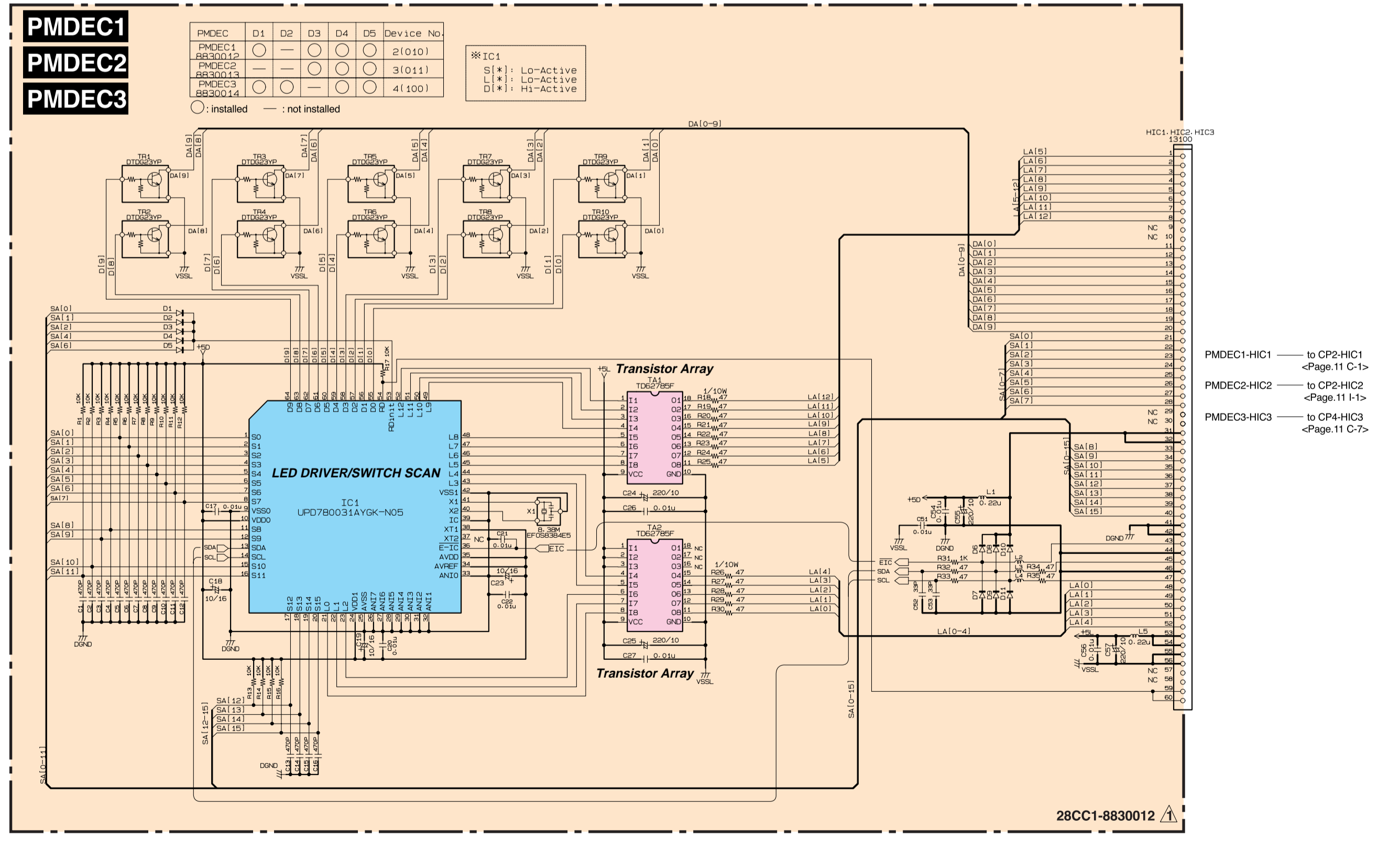
Note: See parts list for details of circuit board component parts.

■ ELS-01/ELS-01C OVERALL CIRCUIT DIAGRAM 9 / 11 (DJACK, HUB, MBL, MBR, PMDEC1, PMDEC2, PMDEC3)



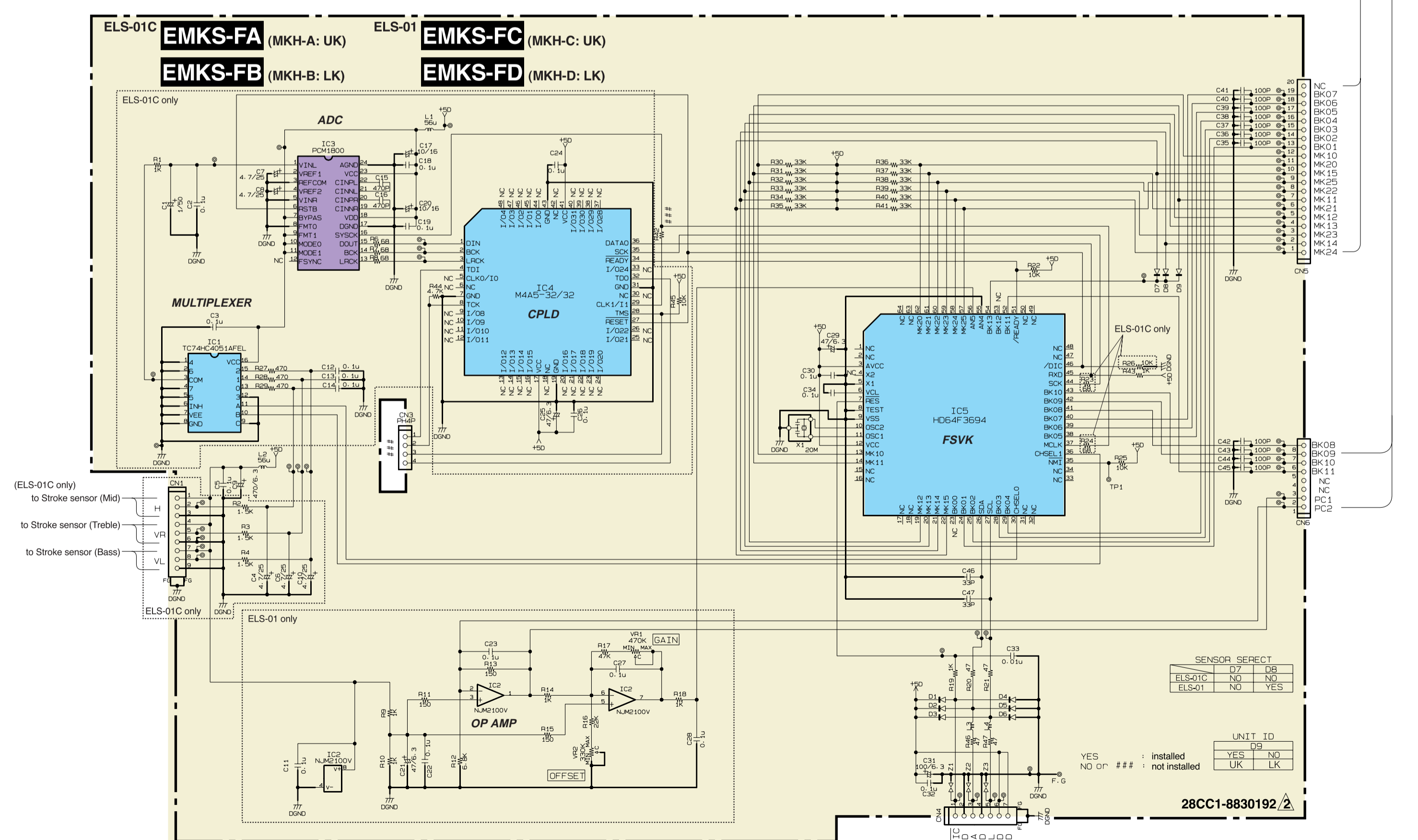
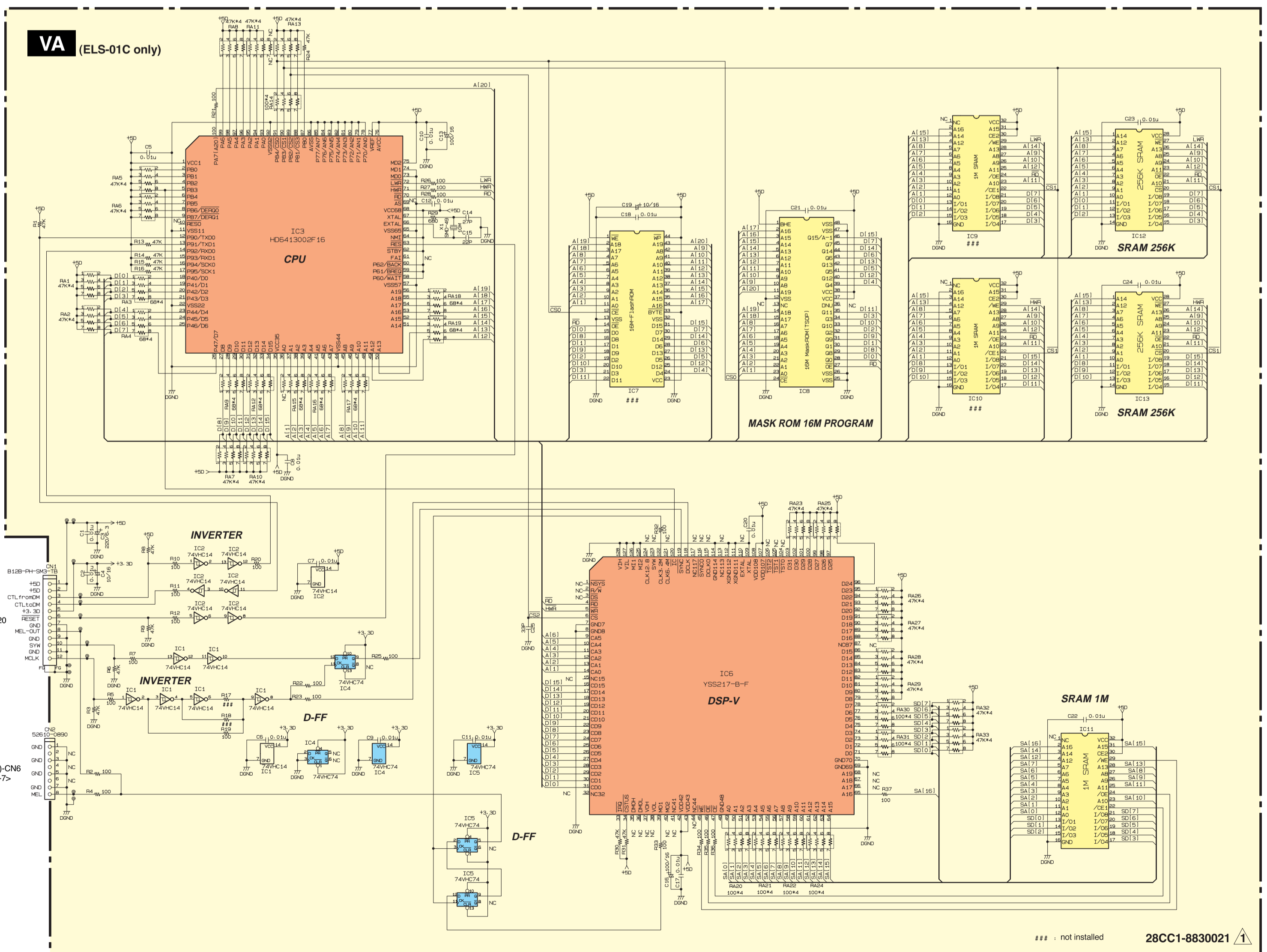
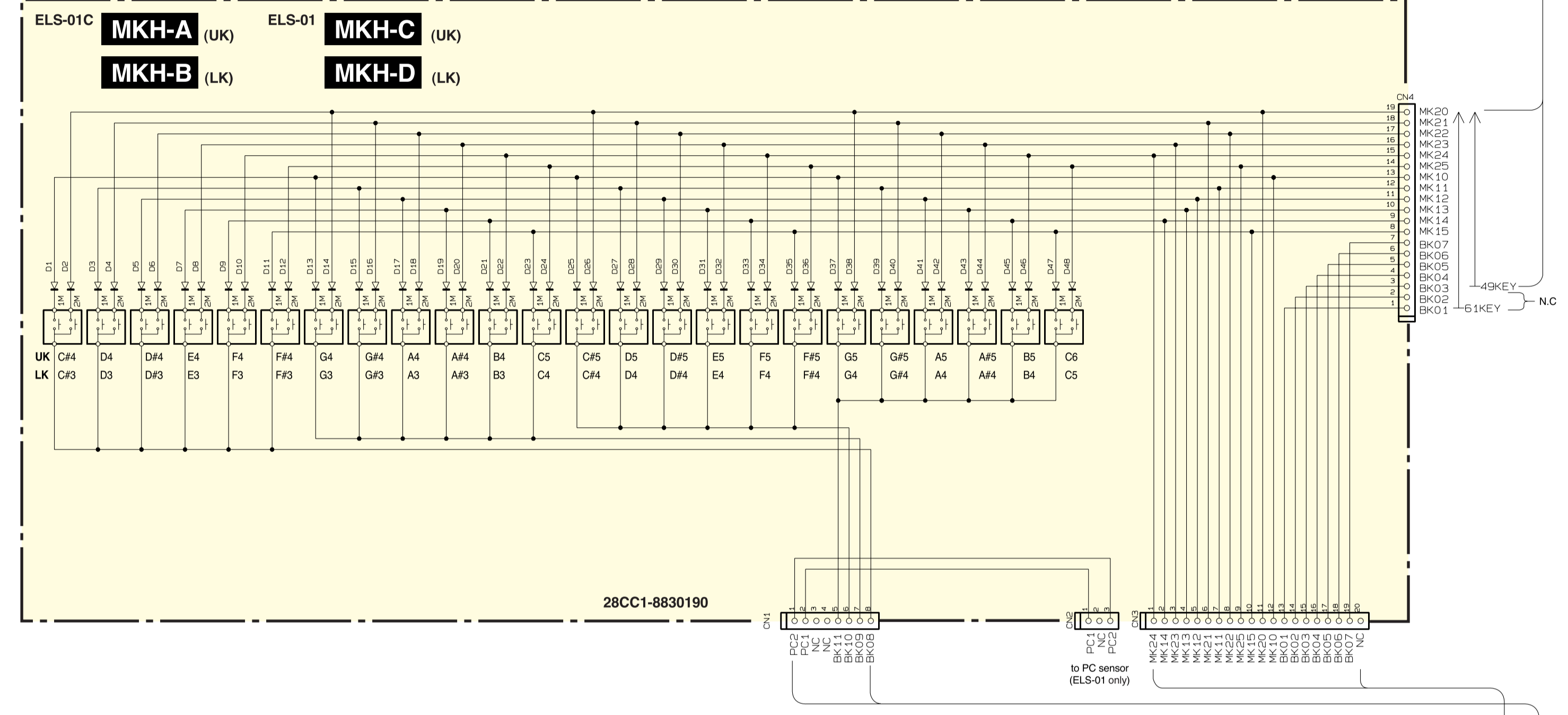
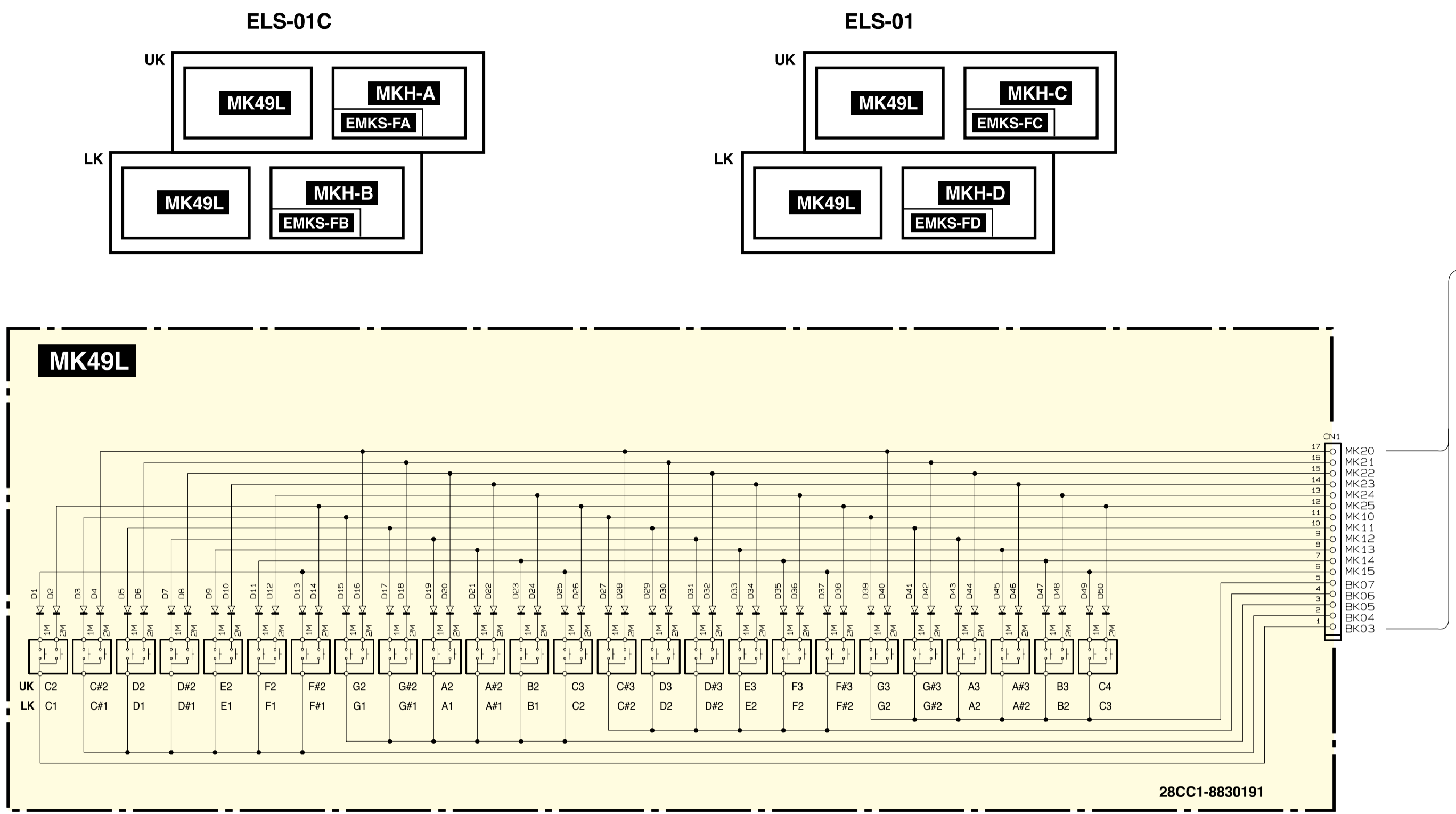
(C) : Ceramic Capacitor

Note: See parts list for details of circuit board component parts.



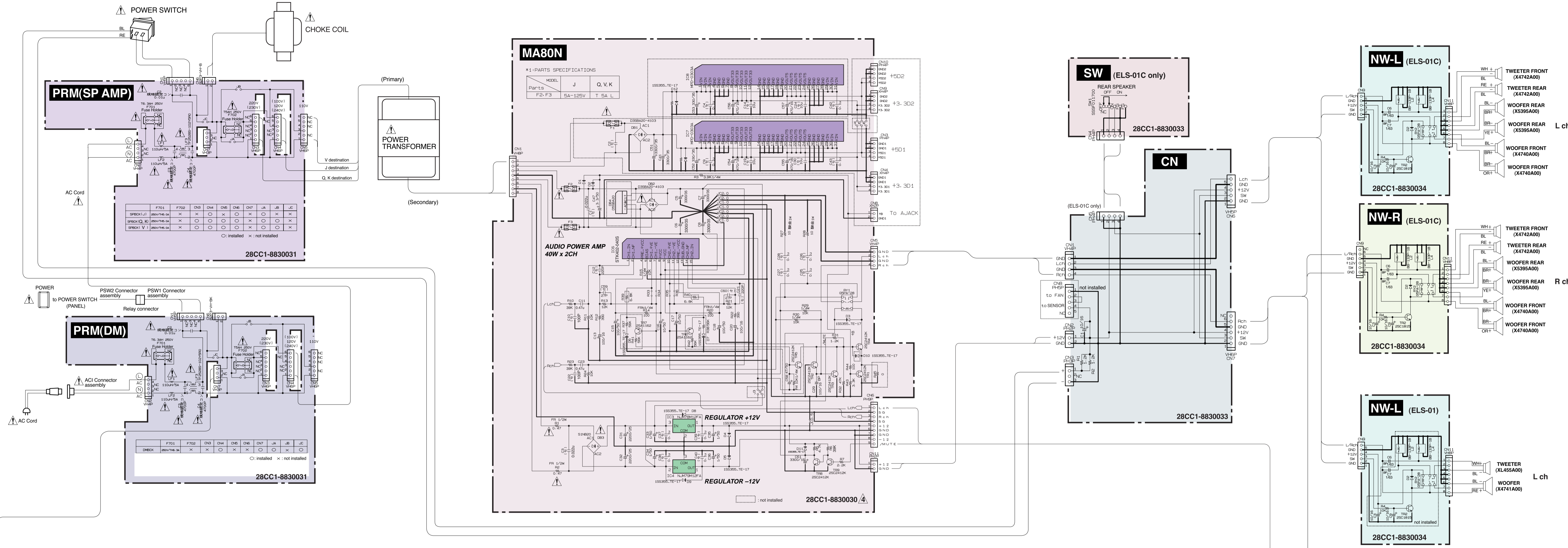
PMDEC1-HIC1 → to CP2-HIC1 <Page.11 C-1>
PMDEC2-HIC2 → to CP2-HIC2 <Page.11 I-1>
PMDEC3-HIC3 → to CP4-HIC3 <Page.11 C-7>

● CIRCUIT BOARD LAYOUT (UPPER / LOWER KEYBOARD)



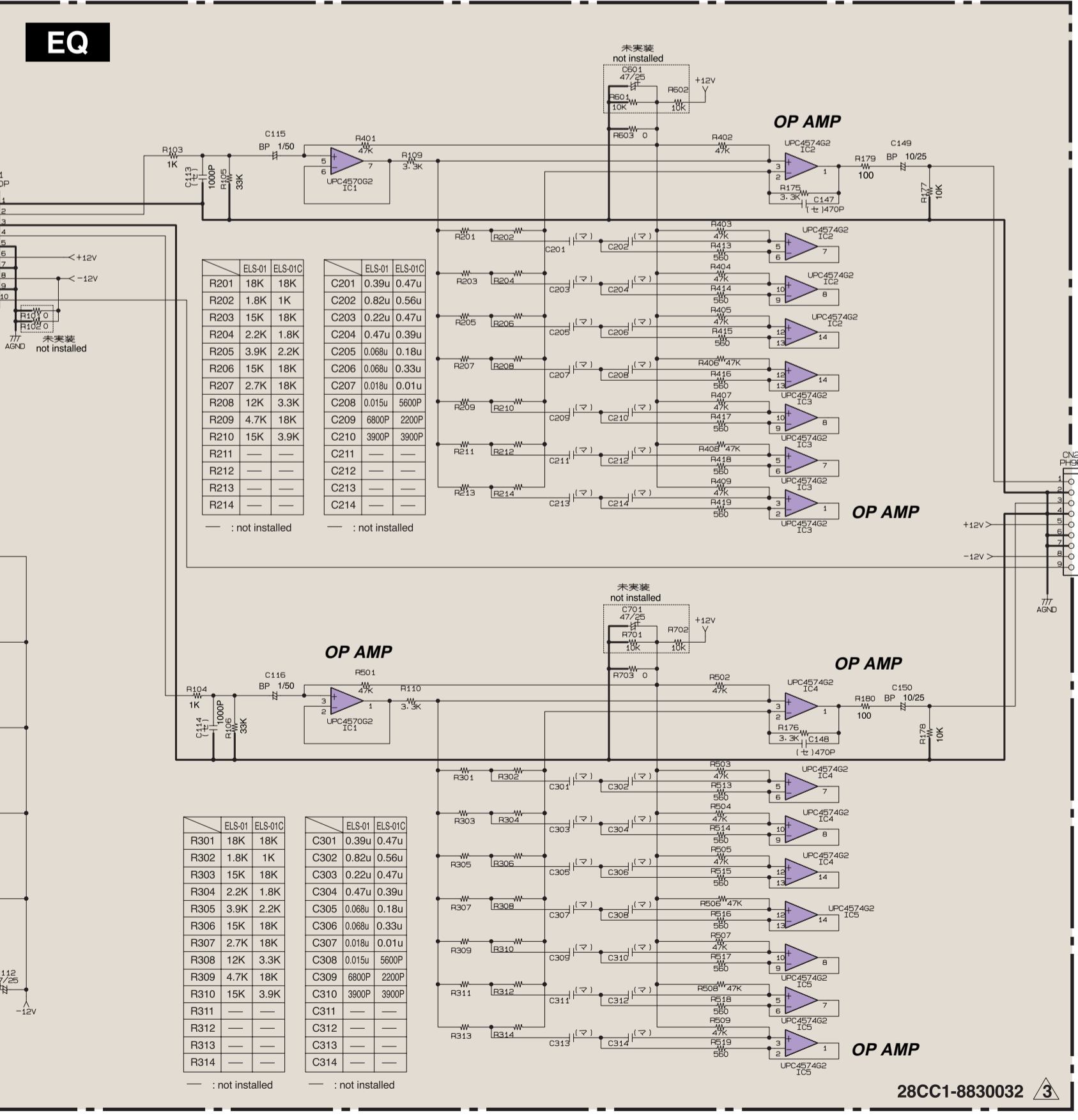
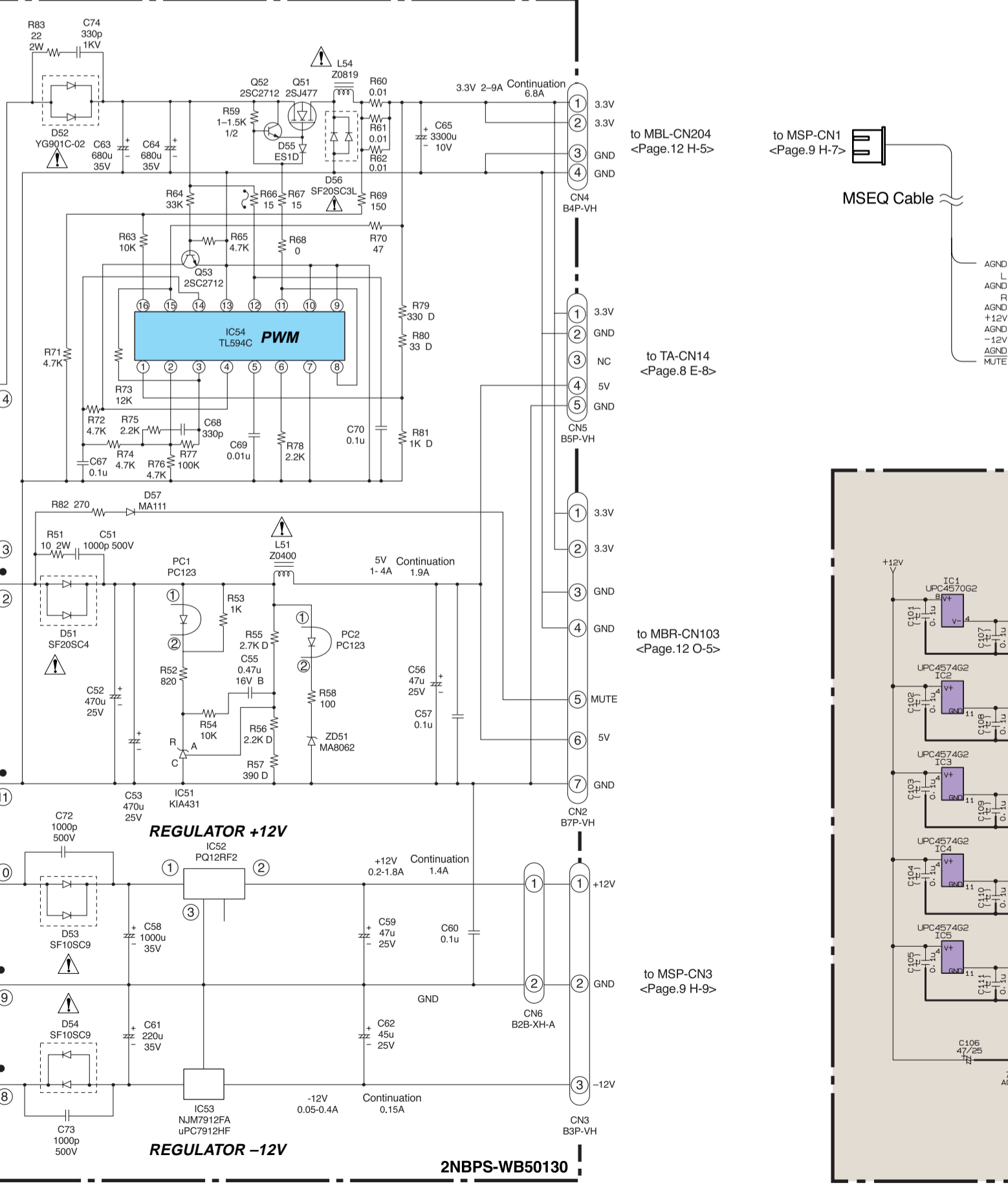
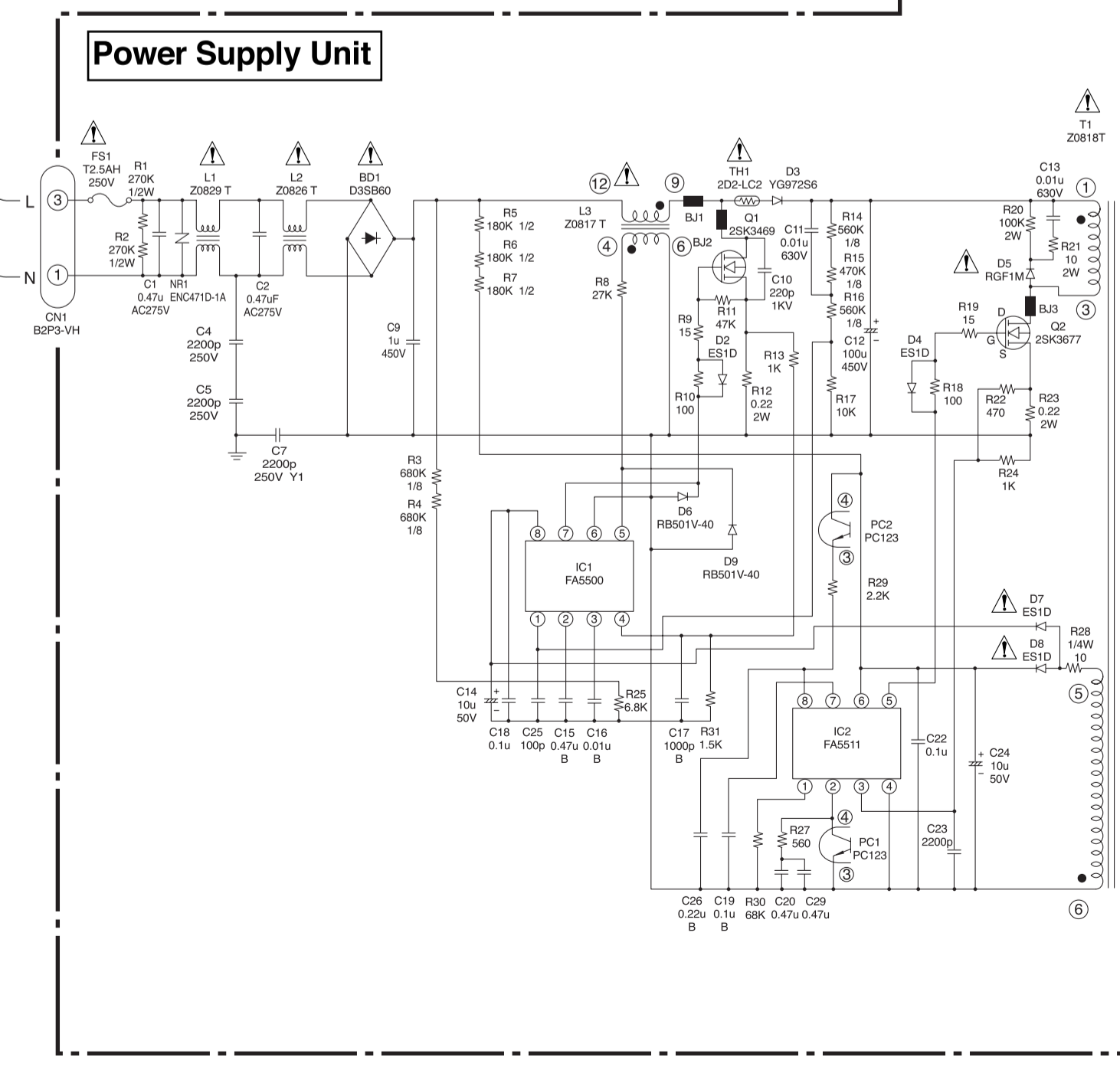
Note: See parts list for details of circuit board component parts.

■ ELS-01/ELS-01C OVERALL CIRCUIT DIAGRAM 11/11 (CN, EQ, MA80N, NW-L, NW-R, Power Supply Unit, PRM(DM), PRM(SP AMP), SW)



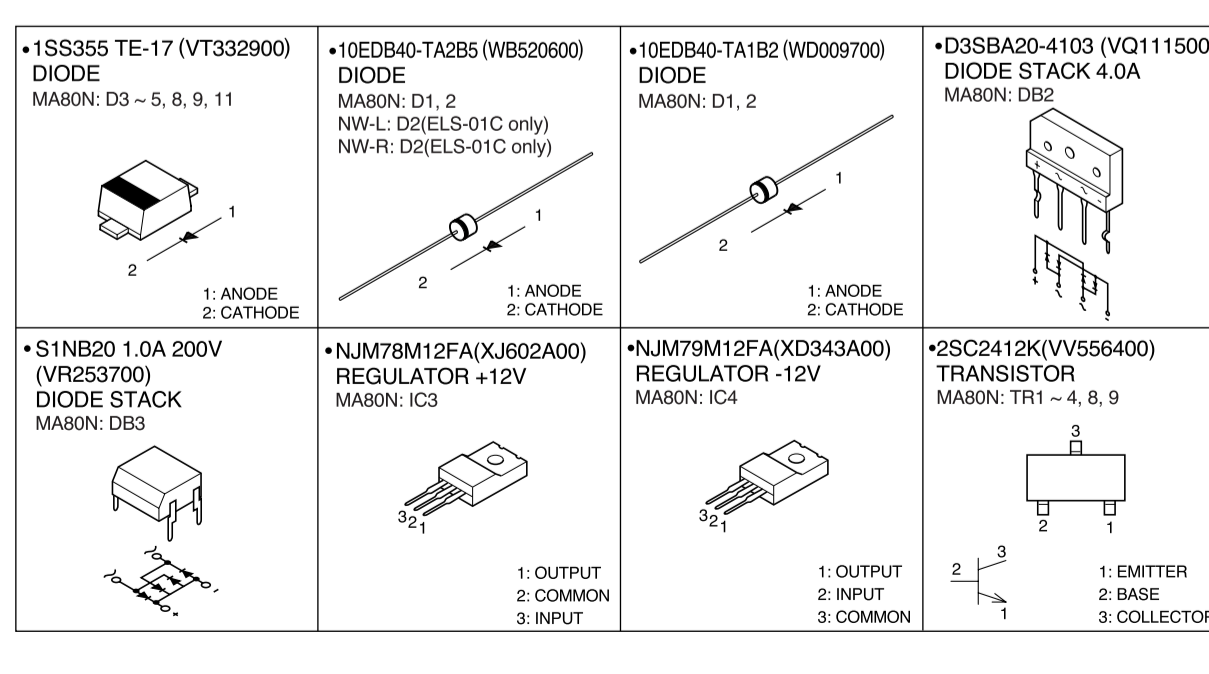
Connector table (Power Supply Unit)

Connector No.	Pin No.	Signal name	Connector No.	Pin No.	Signal name
CN2	1	+3.3V	CN4	1	+3.3V
	2	+3.3V		2	+3.3V
	3	GND		3	+3.3V
	4	GND		4	GND
	5	+3.3V		5	+3.3V
CN3	1	MUTE	CN5	1	+3.3V
	2	+5V		2	GND
	3	GND		3	NC
	4	+12V		4	+5V
	5	-12V		5	GND



■ TO SERVICE PERSONNEL
Critical Components Information
Components having special characteristics are marked with a triangle and must be replaced with parts having specifications equal to those originally installed.

(セ) : Ceramic Capacitor
(マ) : Mylar Capacitor
規程認定コン : Capacitor
(銀塗) : Metal Oxide Film Resistor
(BP) : Bipolar Electrolytic Capacitor



Note: See parts list for details of circuit board component parts.