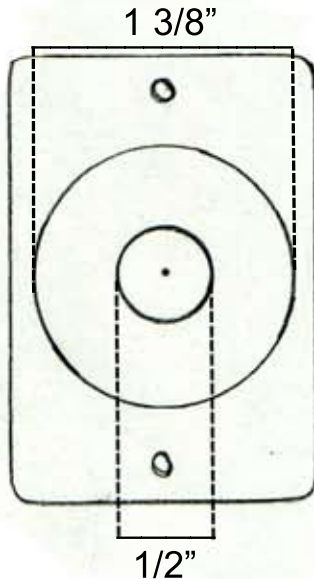


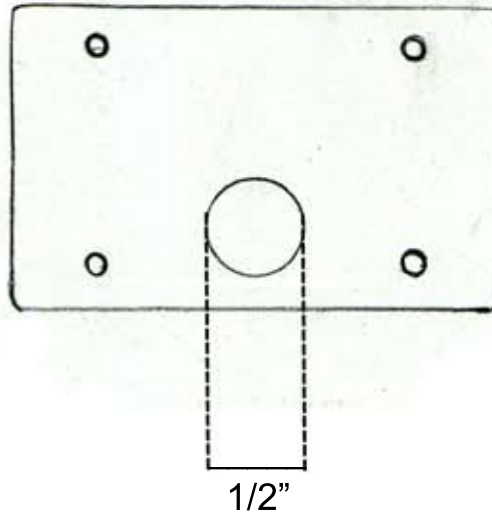
# L-100-L.E.D.-GRAVITY DRILL TEMPLATE

To allow room for the electronics use a spade bit to drill the 1 3/8" hole 1/2" deep:



## OUTSIDE OF DOOR

## INSIDE OF DOOR



For the small holes, use a #37 drill (.104" diam.)

**1. Place the inside section on the inside of the door and turn the lever until the bolt is completely extended over the door frame.**

**2. Use a pencil to mark the screw holes for the strike and the inside section.**

**3. Mark the center of the 1/2" hole with a pencil. Drill a 1/8" guide hole on that center mark through door.**

**4. Use a 1 3/8" spade bit to drill a 1/2" deep hole on the outside of the door, using the 1/8" guide hole for a center.**

**5. Use a 1/2" drill to enlarge the 1/8" guide hole to a 1/2" hole through door.**

**6. Put the wire through the door and install the outside section. Connect the wire from the inside section.**

**7. Connect the turn-bar into the slots on the inside and outside lock sections and screw the lockset onto the door.**

**8. The lock should light up in the OCCUPIED position and automatically shut off in the VACANT position thanks to gravity and some clever American engineering.**



(800) 578-1816  
sales@pridebarco.com