

Toshiba Tube Wiring & Designations

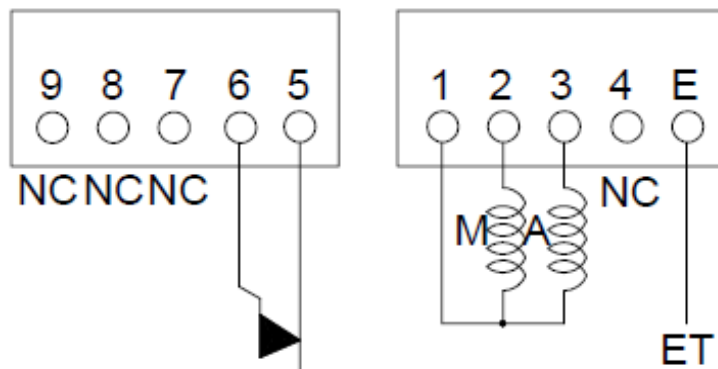
E7239 X = shoot right (90 degree horns)

E7239 FX = shoot left (90 degree horns)

E7239 GX = shoot either (180 degree horns)

Terminal Connections under the tube rotor cap

TERMINAL CONNECTIONS



TEMPERATURE RELAY
(NORMALLY CLOSED)

2-M63 5 P=1 2
φ70

C : COMMON

L : LARGE FOCUS

S : SMALL FOCUS

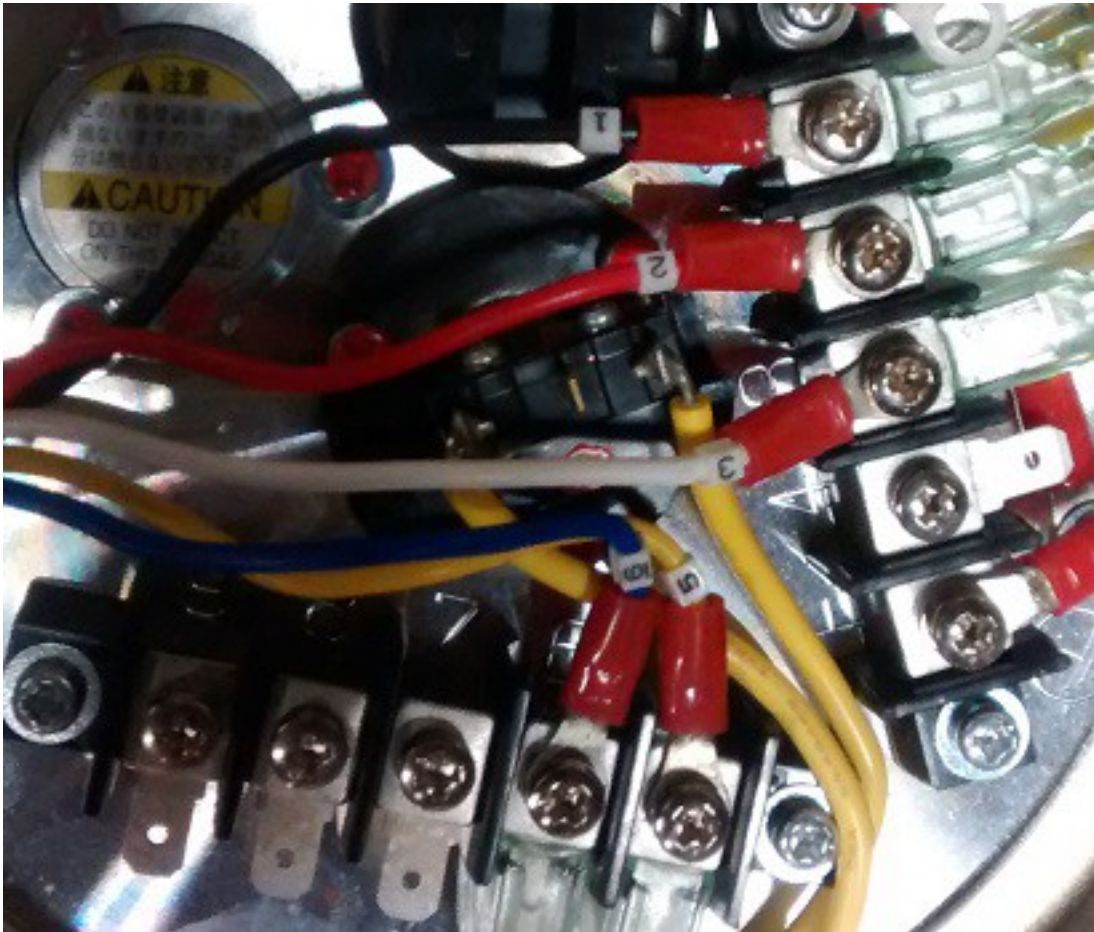
M : MAIN WINDING OF THE STATOR

A : AUX. WINDING OF THE STATOR

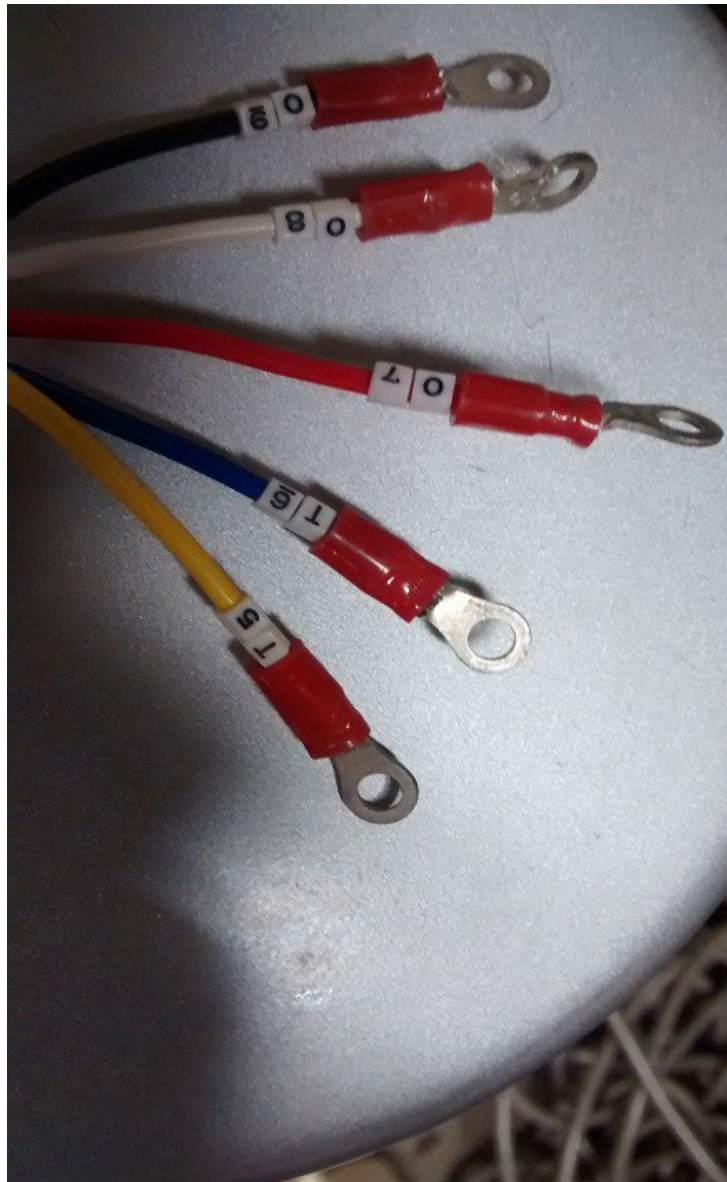
Terminal #1 Black lead Common
Terminal #2 Red lead Main winding
Terminal #3 White lead Auxiliary/Phase winding

Main (07 to 09) measures 25 to 30 Ohms.
Phase (08 to 09) measures 50 to 60 Ohms.
SUM of both (07 to 08) measures 75 to 90 Ohms.
NOTE: ALL SHOULD BE OPEN TO GROUND.

Tube end connections



Generator connection end



For shipping of X-Ray tubes, it should be anode down in the shipping carton to prevent damage to the X-Ray tube.

Galen J Hiveley
X-2 Engineering
2931 West 34th St Unit D
Davenport, Iowa 52806
563-320-3458 phone
x2engineering@msn.com Email
www.xraypartsdepot.com website