

pride barco lock co.

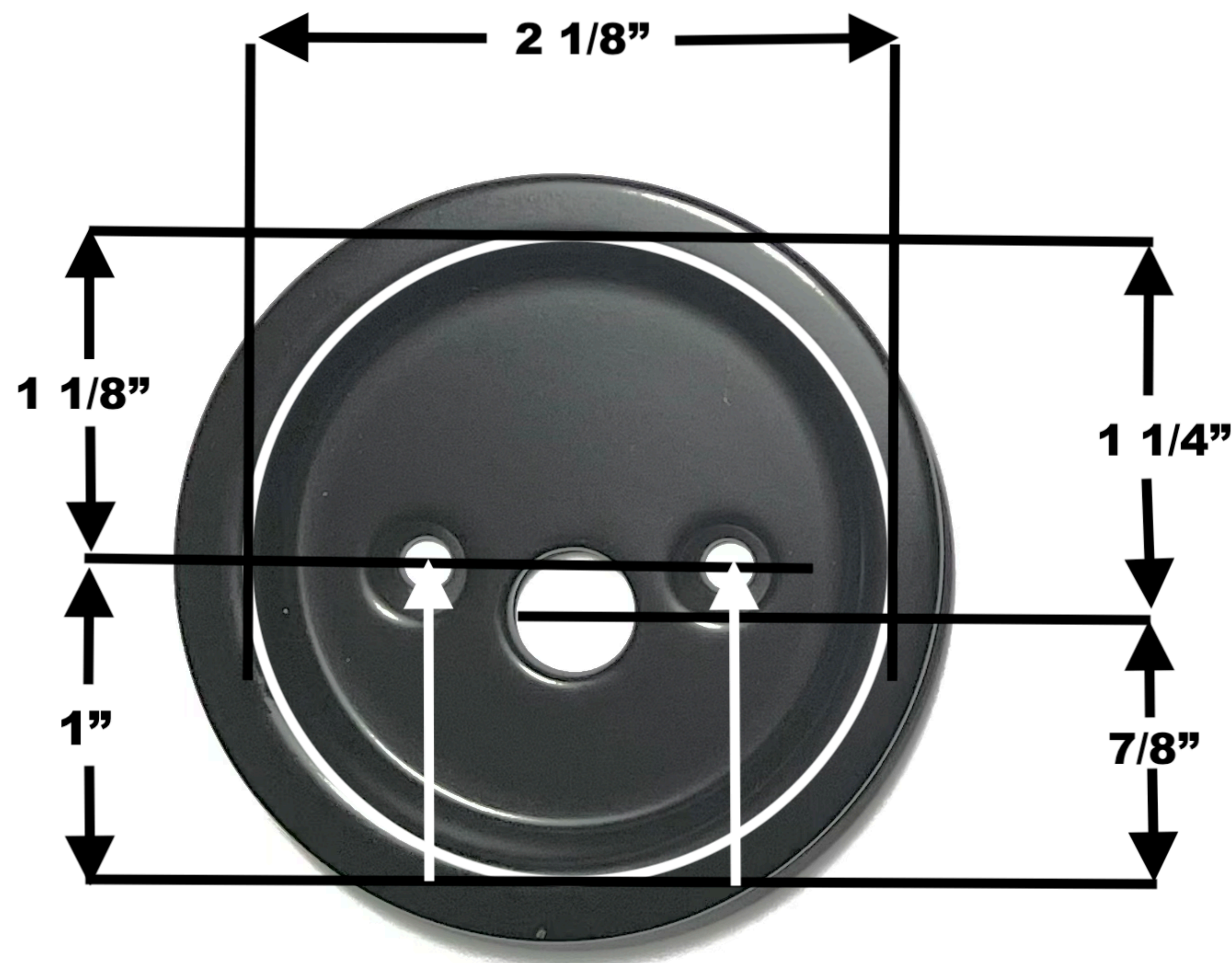
PRI-VACEE®

P-100 & P-150

FACE-PLATE DRILL TEMPLATE

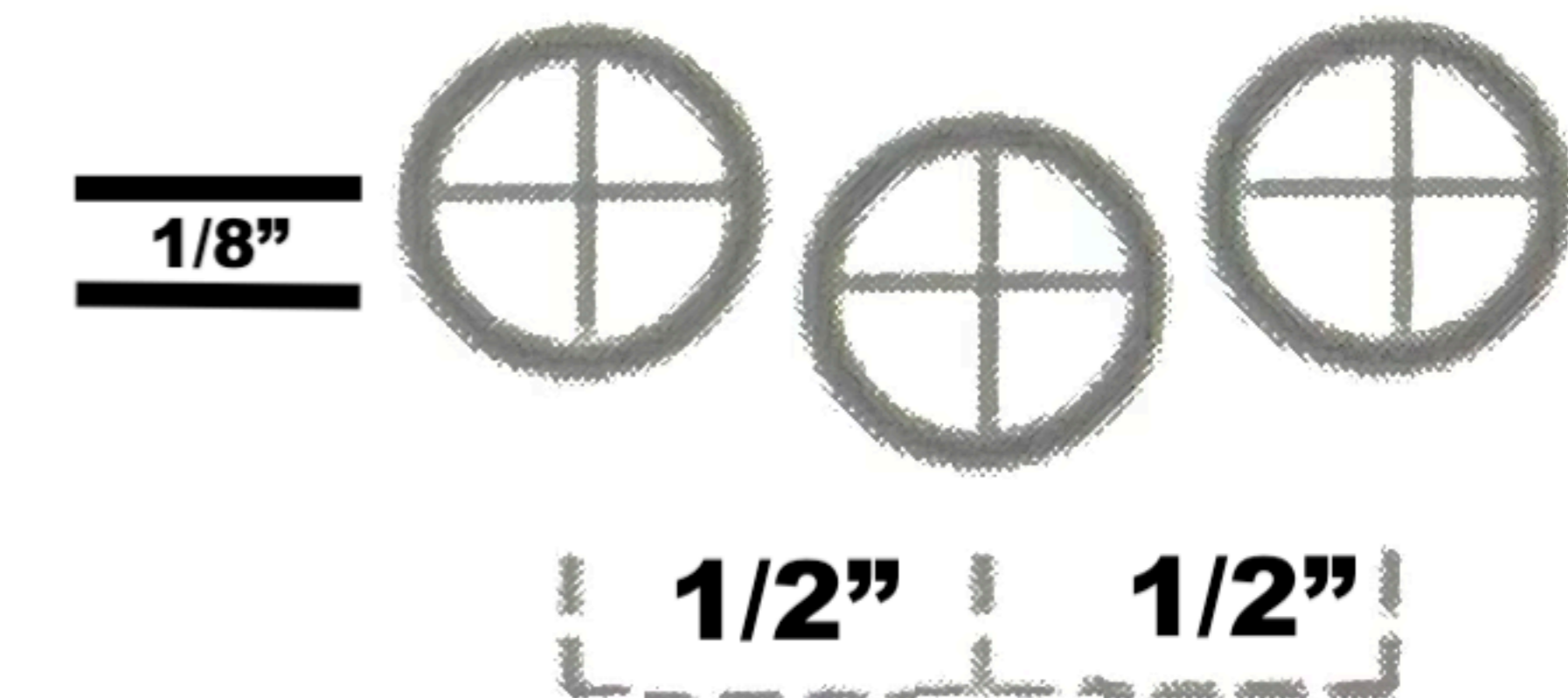
After prepping the door with the P-100 or P-150 drill template, simply drill two holes on either side of the center through-hole for the outside face-plate section.

If you wish to flush-mount the face-plate see our handy cut-out guide on the P-100 or P-150 page at pridebarco.com



OUTSIDE OF DOOR EDGE

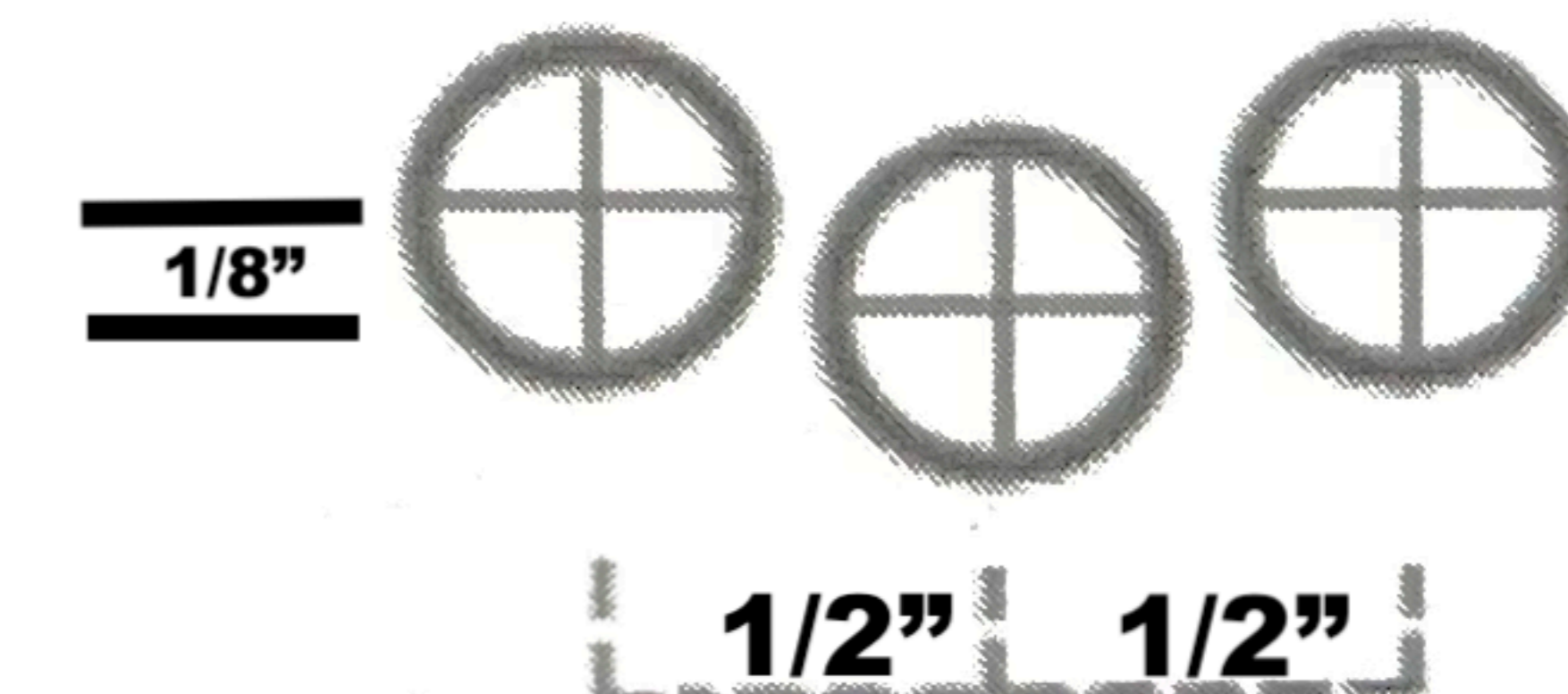
TEMPLATE FOR K-250 RIGHT & LEFT HAND
1 3/4" STD DOOR AND 2 3/4" BACKSET



#3 DRILL (3) 7/16" HOLES
#4 MORTISE LATCH PLATE

OUTSIDE OF DOOR EDGE

TEMPLATE FOR K-250 RIGHT & LEFT HAND
1 3/4" STD DOOR AND 2 3/8" BACKSET



#3 DRILL (3) 7/16" HOLES
#4 MORTISE LATCH PLATE