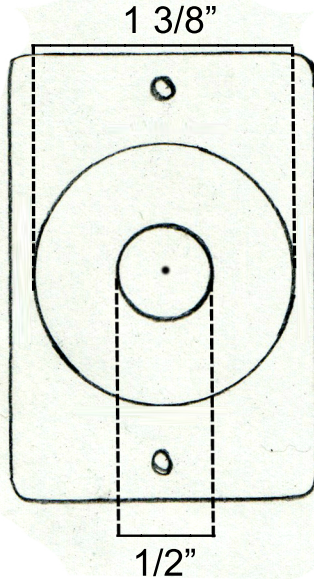


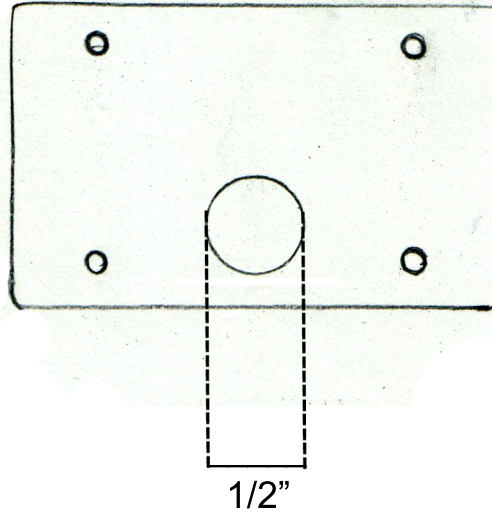
# L-100-L.E.D.-GRAVITY 2 DRILL TEMPLATE

To allow room for the electronics use a spade bit to drill the 1 3/8" hole 1/2" deep:



## OUTSIDE OF DOOR

## INSIDE OF DOOR



For the small holes, use a #37 drill (.104" diam.)

1. Place the inside section on the inside of the door and turn the lever until the bolt is completely extended over the door frame.
  2. Use a pencil to mark the screw holes for the strike and the inside section.
  3. Mark the center where you'll drill the 1/2" hole with a pencil. Drill a 1/8" guide hole on that center mark through door.
  4. Use a 1 3/8" spade bit to drill a 1/2" deep hole on the outside of the door, using the 1/8" guide hole for a center.
  5. Use a 1/2" drill to enlarge the 1/8" guide hole to a 1/2" hole through door.
  6. Holding the indicator section, put the four color wires through the 1/2" hole. Connect the Blue & Green wires to the Bathroom Beacon™ and connect the Red & Black wires to the Battery using the supplied easy-clip connectors.
- If your door isn't hollow you can run the wire through the inside lock section which has a small indent on the bottom to accommodate an exit for the 4 wires.
7. Put the turn-bar through the 1/2" hole in order to connect the indicator to the inside lock section then mount both lock sections with screws. Turn the switch to the 'On' position on the 9-Volt Battery Holder.
  8. Mount the 9-Volt Battery Holder anywhere, even inside your hollow door with the supplied double-sided adhesive squares. Mount the Bathroom Beacon™ Red L.E.D. Light anywhere you want. A standard 3/8" hole is recommended for optimum fit.
  9. The indicator lock and the Bathroom Beacon L.E.D. should light up in the OCCUPIED position and automatically shut off in the VACANT position thanks to gravity and some clever American engineering.



(800) 578-1816  
sales@pridebarco.com