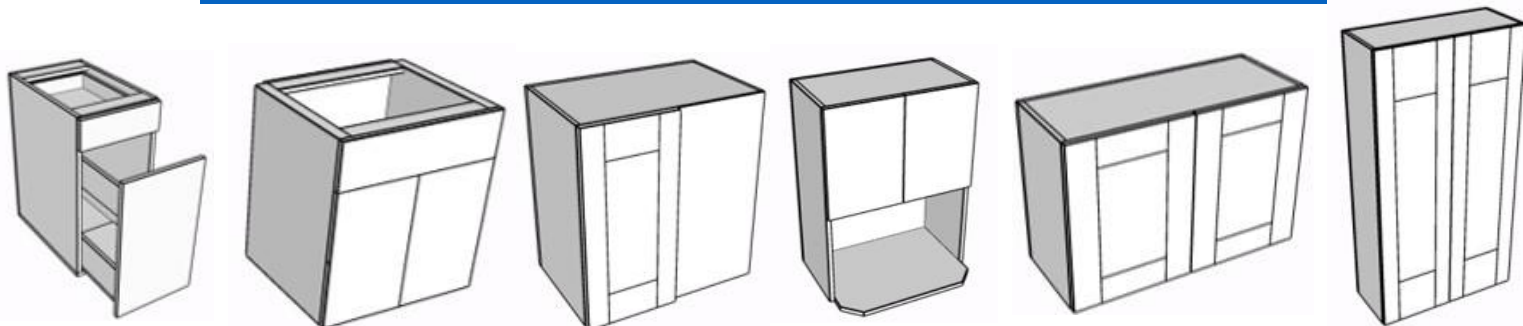


Read This! When You're Thinking of Getting Your Kitchen, Bathroom, or Laundry Cabinets Changed.

Quick Guide for Requesting a Cabinet Quote



<https://www.recodesignbuild.com/cabinets>



info@recodeco.com

604-273-2932

Reco Decoration Group Inc.
100 – 2051 Viceroy Place
Richmond, BC
V6V 1Y9



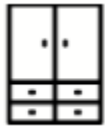
To help us give you an accurate quote for your new cabinets, please include the following details in your correspondence with us:

Preparing them will assist you

1. **Cabinet Type:** Specify the type (e.g., base cabinet, drawer base, sink base, etc.). Please visit <https://www.recodesignbuild.com/cabinets> or look below in this guide to see pictures and examples. On the website, we separate the cabinet categories into 3 sections. 1 Base, 2 Wall, 3 Units.



1 BASE Lowers Depth: 24-5/8"



2 WALL Cabinet Depth | Upper: 12-5/8"



3 Units Depth: Tall Pantry/Fridge Top: 24-5/8"

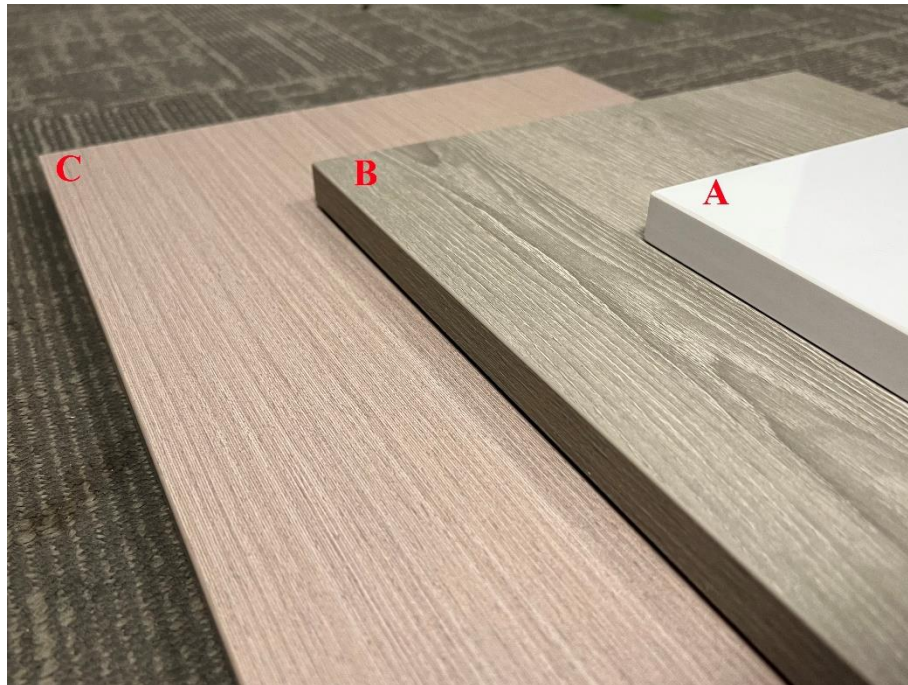
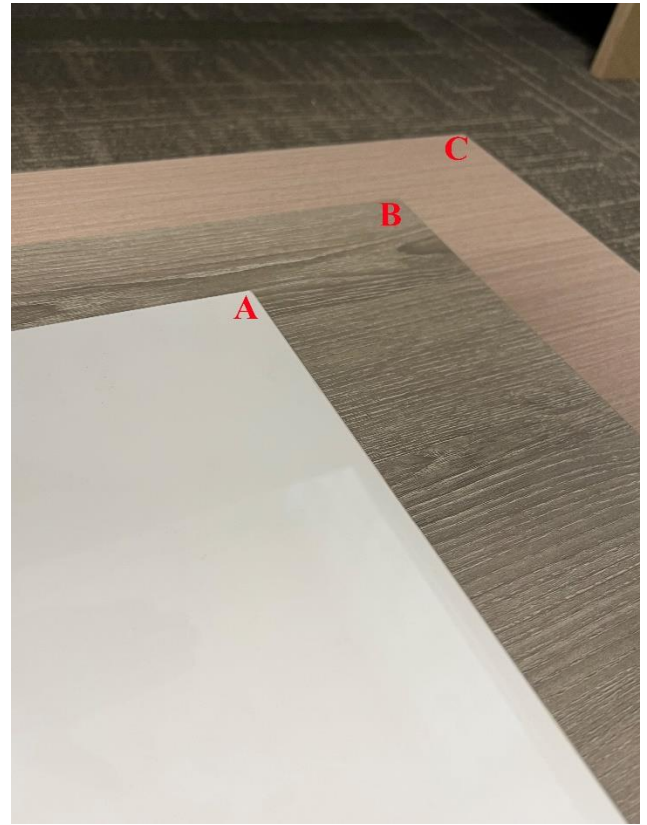
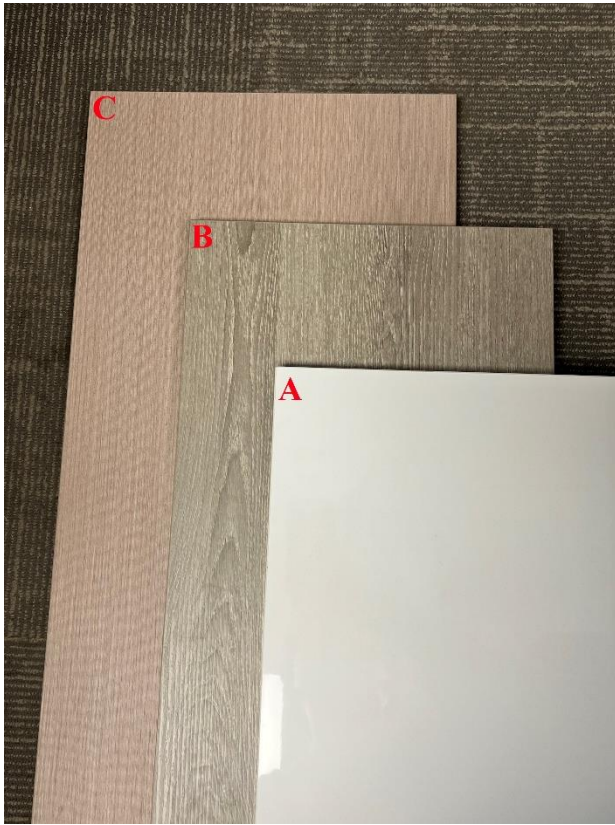
In Stock we have the 3 colours and a flat door.

2. **Dimensions:** Provide the width, height, and depth in inches or millimeters.
3. **Material Preference:** If you have a preference, such as plywood, MDF (Medium Density Fiberboard), or other.
4. **How many finish gables do you need?** The end panels on a cabinet run or a standalone cabinet that are finished to match the front face.

Finish gables are essential for aesthetic purposes, especially when the sides of the cabinets are visible, to ensure a consistent look with the rest of the cabinet finishes. This is an important consideration for kitchen, bathroom, or other cabinetry projects to ensure a polished and cohesive appearance.



5. **Special Features:** Mention any specific features like soft-close drawers, pull-out racks, etc.
6. **Finish:** Describe your preferred finish or colour scheme. In stock, we currently have the following three colours. Orders can be made for other shades.



7. **Budget Range:** Indicate your budget range to help us recommend options that fit within your financial plan.
8. **Design Style:** Share your preferred design style (e.g., modern, traditional, rustic) to tailor the look to your taste.

9. **Functionality Needs:** Describe how you plan to use the space (e.g., heavy cooking, entertaining) to suggest features that enhance functionality.
10. **Hardware Preferences:** Specify any hardware preferences, like hinge and handle types or brands.
11. **Timeline:** Provide your project timeline or desired completion date to ensure we align with your schedule.
12. **Contact Information:** Include the best way and time to contact you for further discussions or clarifications.

Feel free to attach photos or drawings of your space or inspirations to help us understand your vision better!

Reach out, we want to help you.

info@recodeco.com

604-273-2932



Consistent for over 20 years! Need to get it done on a certain timeframe, they do it.
I've known the RECO Team for over 20 years. My overall experience with them is, when they give you budget and timeline; they meet those, all the time. Robert. M

Reco listens to your needs and provides recommendations and options that fit your plans and budget. Paul. E.

I can trust and rely on them.

Regardless of the situation they work with me and get the project done. Reco will do whatever it takes to deliver on time & I appreciate that. For me what's important is that I can trust and rely on Reco. Mrs. Fiona. L.

FAQ:

General Questions

- 1. Can I choose my delivery date for cabinets?**
 - Delivery schedules may vary based on product collections and shipping carriers. Some flexibility might be possible, but geographic limitations can apply.
- 2. How long will it take to receive my cabinets after ordering?**
 - Delivery times depend on the purchased products and their destination. For specific time frames, it's advisable to consult with us on shipping terms.
- 3. Do cabinets come with installation hardware?**
 - Installation requirements can differ; thus, cabinets do not always come with hardware. Local building codes should guide the hardware selection.
- 4. Can I buy cabinets unassembled?**
 - This varies by manufacturer, with us yes. We also offer fully assembled products, while others might provide an option for unassembled (RTA) cabinets.

Ordering and Pricing

- 5. Is it possible to order cabinets over the phone?**
 - We ask that the order be completed at our warehouse in Richmond. Alternative payment methods are available, please ask your rep.
- 6. Do you offer price matching?**
 - We can price match, ask us for details.
- 7. Are special pricing options available for builders or contractors?**
 - Yes, ask us for details.

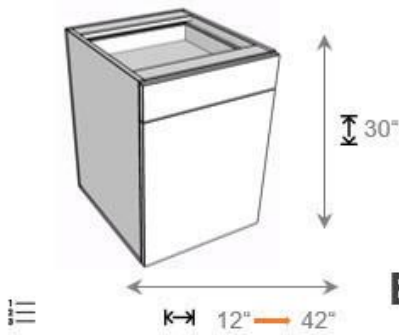
Product Specifics

- 8. Can I use these cabinets outdoors?**

- Generally, indoor cabinets are not designed for outdoor use. Using them outside can void the warranty.
9. **Do cabinet doors and drawers feature soft-close mechanisms?**
- Many cabinets come standard with soft-close drawers, enhancing functionality and durability.
10. **Are cabinets available in materials other than those listed on your site?**
- Selections might be limited to specific materials, but customer feedback and requests for different options are welcome.
11. **Can glass inserts be included with my cabinet order?**
- Directly from manufacturers, glass is typically not provided, but local glass shops can offer custom solutions.
12. **What warranty coverage do cabinets have?**
- Warranties vary, ask us for details.

Design and Customization

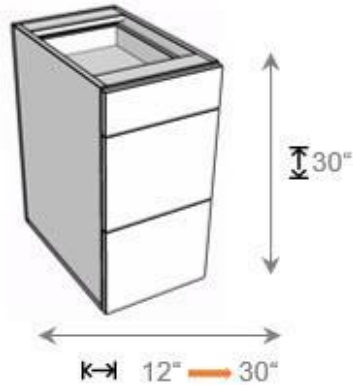
13. **What custom projects beyond kitchens can cabinetmakers work on?**
- Cabinetmakers often take on a variety of custom projects, including bathroom vanities, hidden rooms, wine cellars, home offices, and more, showcasing their versatility beyond kitchen cabinets.
14. **How are custom cabinet prices structured?**
- Pricing can be by the project or based on linear footage, with variations depending on cabinet construction, materials, and custom features.
15. **Can cabinet sizes and configurations be customized?** Yes, most cabinets come in standard sizes but can be modified in width, depth, and height to fit specific needs. Options for glass doors, toe space sizing, and decorative panels are available (Showplace Cabinetry).



Base Cabinet

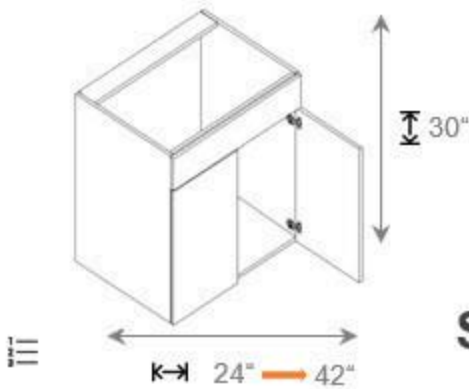
NO.B12 — B42 **\$238 - 414**

NO.B09FH — B36FH **\$168 - 362**



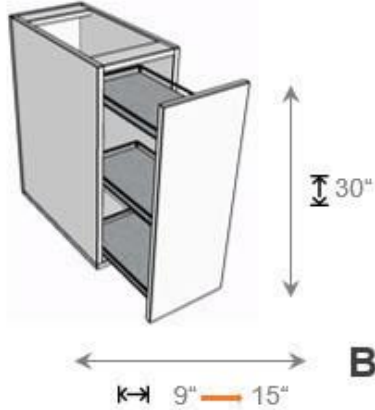
Drawer Base

NO.3DB12 — NO.3DB30 **\$320 - 444**



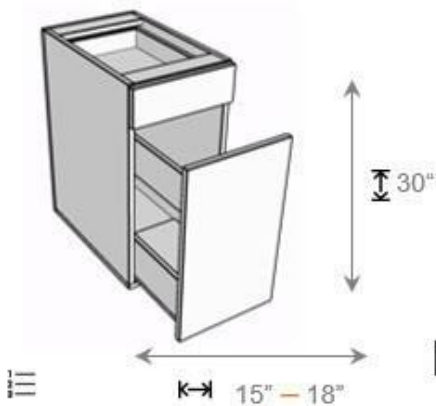
Sink Base

NO.SB24 — SB42 **\$228 - 352**



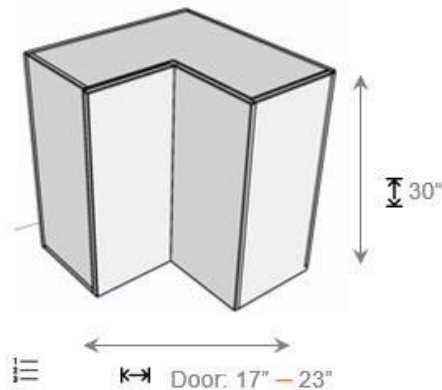
Base Spice Rack

NO.BSR09 — BSR15 **\$217 - 259**



Base Trash

NO.BTB15 — BTB18 **\$320 - 362**



Base Corner

NO.BBC36 — BBC45 **\$289 - 372**

NO.LSB33 — LSB36 **\$394 - 414**

NO.DCB36 — DCB42 **\$476 - 517**



↑ ↓ 15" - 42"

← → 9" - 36"

Wall Cabinet

\$124 - 331

NO.W0912 - W3642



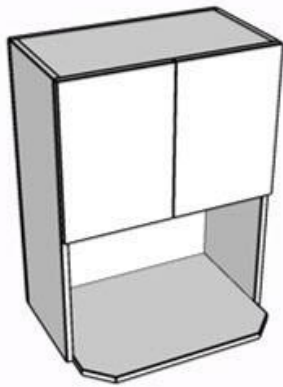
↑ ↓ 12" - 24"

← → 27" - 30"

Wall Corner

\$206 - 280

NO.WBC2730 - WBC3042



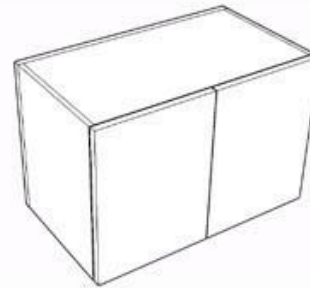
↑ ↓ 15" - 27"

← → 24" - 27"

Microwaves Cabinet

\$331 - 414

NO.MWC2430 - MWC2742



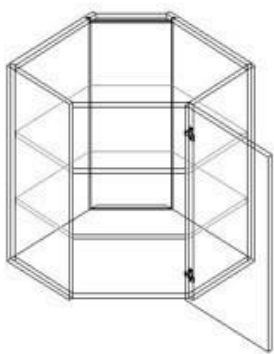
↑ ↓ 12" - 24"

← → 30" - 36"

Fridge Top Cabinet

\$197 - 341

NO.W301224 - W362424



↑ ↓ 30" - 42"

← → Door: 17"

Wall Corner

\$372 - 414

NO.WDC2430 - WDC2442



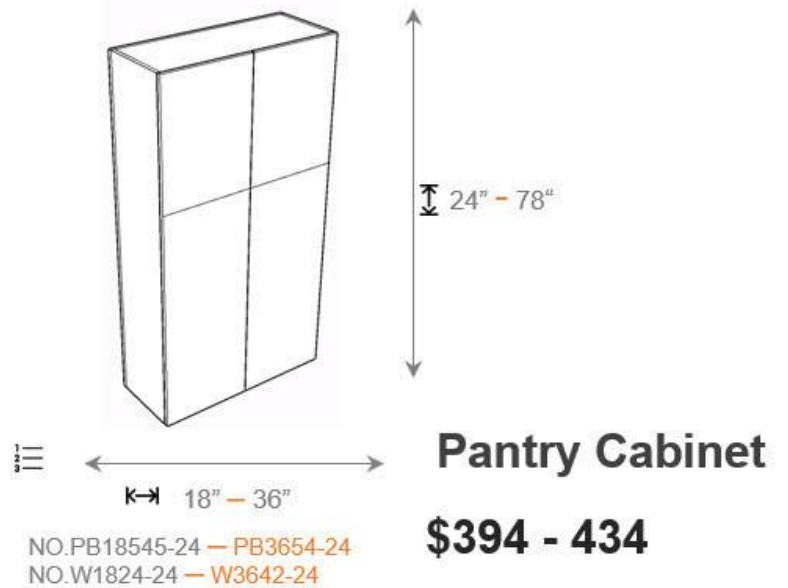
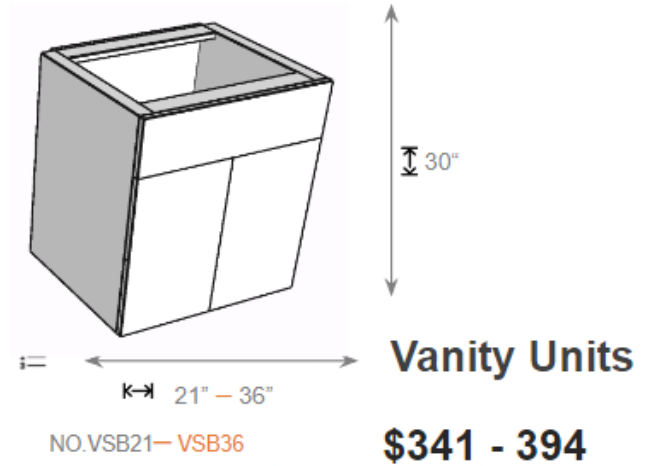
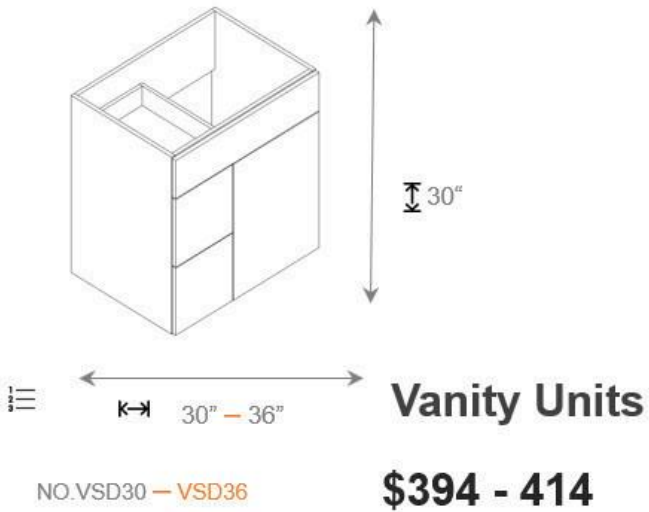
↑ ↓ 55.5"

← → 24" - 30"

Oven Cabinet

\$248 - 343

NO. WDO2455.5-24 - WDO3055.5-24



The Real Value is!

Reco is reliable. They do things on budget and most importantly within the timeframe they promise, that's the value they bring. Dan.T

NOTES

1. **Material:** The carcass is made of 18mm thickness plywood, and the interior is white melamine.
2. **Hardware:** Soft-closing hinge, drawer slides included, and adjustable leveler; Door pull is not included.
3. **Packing:** Single packing by carton, unassembled.
4. **Regular Cabinet Depth:** Regular Cabinet Depth | Upper: 12-5/8" | Lower: Tall Pantry/Fridge Top: 24-5/8" | Vanity: 21-7/8"
5. **Door:** 3/4" MDF/PBC, Flat style
6. **Payment terms:** T/T, 50% deposit to confirm the order, 50% before shipment.
7. **Payment Methods:** Accept cash, PayPal, and Bank drafts; cheques require validation before order processing.
8. **Cancellation:** Deposit may be non-refundable if the order is canceled.

What Our Clients Say



I rate my overall experience with Reco a 10/10.

Bob Dowbiggin

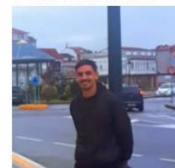


What Our Clients Say



Overall, I'm a great supporter of Reco

Paul Emanuel



Kitchen Cabinet Details

1. Materials:

A. Box

Our cabinet boxes are made by 11 layers of high-density solid wood (0.5-0.7) plywood with 120g/square meter high pressure melamine (it is the highest grade in the market, normal melamine thickness is around 80g/square M in the market).

B. The Doors

There are three types of doors.

- a. Solid wood or MDF edge with painting finishing.
- b. Particle board with 120g/square M melamine finishing.
- c. MDF board with 120g/square M melamine finishing.

2. The boxes & doors processing and combination method:

A. Box

The boxes are produced by CNC machine, pre-set all of holes & notch such as installation needed, usually the cabinets are combined with screws, because every things already pre-made, so it is easy for anyone to sample together, and the appearance of cabinets are no different from that of custom-made cabinets, after the combine together. All of edges are completed by laser welting machine with the 1-2 mm edge band, and the effect is very precise.

B. Doors

The doors are produced by CNC machine and laser welting machine with 1-2mm edge band, all holes are marked and already set.

3. The hardware:

We use the high standard hardware of our own brand , we use self-close slides for the drawers.

We have an undermount drawer slide which are gentle self closing.

Reco Products are affordable compared to alternative options; below are some more details.

Remember to book a time to visit our showroom and decide for yourself.

Durability:

Plywood is much more durable than pressboard. It can withstand higher loads and is less prone to warping or breaking.

Quality finish:

Plywood is an excellent surface for finishing. It holds paint, stains, and varnishes very well, providing a high-quality finish that looks great and lasts a long time.

Customization:

Plywood is easier to cut and shape than pressboard, which makes it ideal for custom cabinetry.

Environmental friendliness:

Plywood is made from sustainable materials, while the press board is made from wood waste and glue. By using plywood for your kitchen cabinets, you can show that you care about the environment.

Better value for money:

Plywood cabinets are a much better investment in the long run. They last longer, require less maintenance, and can increase the resale value of your home. You can use this point to show that quality kitchen cabinets built from plywood are a smart investment.

Health benefits:

Plywood is less likely to emit harmful chemicals like formaldehyde, which is often found in press boards. There are health benefits to plywood in your cabinets; it can contribute to a healthier home.

What Our Clients Say



My Overall experience with RECO is trusting & they are efficient.

The way they manage building permits for each project and the regularity process is impressive.

Robert. M

What Our Clients Say



Reco is reliable and we can trust them.

Every time I deal with Reco, I feel very comfortable and there's security there. I can rely on them & I trust them.

Mrs. Fiona.L.

What Our Clients Say



The Value RECO Adds to Projects!

Reco is reliable.

They do things on budget and most importantly within the timeframe they promise, that's the value they bring.

Dan.T

info@recodeco.com

604-273-2932

Reco Decoration Group Inc.
100 – 2051 Viceroy Place
Richmond, BC
V6V 1Y9



Come Visit Our Showroom to feel the Quality

Reco can take your idea from concept to prepare a set of drawings, with the help of professional trades related to the project, we can assist and prepare a set of construction drawings.

