



SPARES DIVISION

SPARE PARTS CATALOGUE

for

JAGUAR

3·4 AND 3·8 LITRE 'S' TYPE

Incorporating Automatic Transmission Unit and Overdrive Unit

ENGINE NUMBERS

3·4 LITRE	7B.1001 ONWARDS
3·8 LITRE	7B.50001 ONWARDS

NOTE: Suffix /7, /8 or /9 to the Engine Number denotes the Compression Ratio.

CHASSIS NUMBERS

3·4 LITRE	RIGHT-HAND DRIVE	1B.1001 ONWARDS
3·4 LITRE	LEFT-HAND DRIVE	1B.25001 ONWARDS
3·8 LITRE	RIGHT-HAND DRIVE	1B.50001 ONWARDS
3·8 LITRE	LEFT-HAND DRIVE	1B.75001 ONWARDS

NOTE: Suffix "DN" to the Chassis Number denotes that an Overdrive Unit is fitted.

Suffix "BW" to the Chassis Number denotes that an Automatic Transmission Unit is fitted.

JAGUAR CARS LIMITED, COVENTRY, ENGLAND.

Telephone:
Allesley 2121 (P.B.X)

Code : Bentley's 2nd

Telegraphic Address:
JAGUAR" COVENTRY
Telex 31622

INTERPRETATION OF CATALOGUE

Attention is drawn to the lay-out of this catalogue. It will be observed that the heading of each assembly is printed in **BOLD BLOCK LETTERS**, whilst the spares relevant to each assembly are printed in small type and inset to the right.

The fact that certain items (printed in small type) are not "inset" indicates that they do not form part of any assembly and must, therefore, be ordered as individual items.

ILLUSTRATIONS

To aid identification of spares, "exploded" illustrations are incorporated in this catalogue.

These illustrations may be used in the following manner:—

(a) If a Front Engine Mounting is required, the index shows that the details for the item are printed on page 5 and that it is illustrated on Plate 1. Turning to page 5, the necessary information for the ordering of the part is given, whilst the column headed "Plate No." indicates that reference to item number 74 on Plate 1 will give a photographic view of the component required.

(b) The details for each illustrated item are printed in the script in numerical Plate number order. An item may therefore be first identified photographically. For example, if a Shock Absorber is required for the Front Suspension, a picture of the part may be found on Plate No. 36, together with the Plate reference number. It is now an easy matter to find Plate number "36-34" in the script and the Part No. and Technical Description are at once apparent.

ORDERING

Customers are advised to make themselves familiar with the method of ordering spare parts in accordance with the explanatory notes which follow.

COLOURED PAGES

Coloured pages are used throughout this Catalogue to help users to make quick reference to the sections indicated by the applicable colour.

The following code gives the key to colours:

WHITE PAPER denotes items for **STANDARD TRANSMISSION**
PINK PAPER denotes items for **AUTOMATIC TRANSMISSION**
BLUE PAPER denotes items for **OVERDRIVE TRANSMISSION**
YELLOW PAPER denotes items for **POWER-ASSISTED STEERING**

INSTRUCTIONS FOR ORDERING SPARE PARTS

To avoid delay through inaccurate interpretation, it is of great importance that the information detailed in the following paragraphs be strictly adhered to when placing orders.

CAR TYPE

Always quote the engine and chassis numbers except when Stock Orders are placed, in which case the Year and Model must be indicated.

If Gearbox components are required it is necessary to quote on the order the **serial number** of the Gearbox, together with any **prefix or suffix letters** which may be indicated.

An order for spares in connection with an Automatic Transmission Unit must be accompanied by the **Transmission Serial Number**. If it is desired to replace the Converter Assembly, however, the order for this Component must bear the **Serial Number of the Converter** which will be found stamped on the engine side of the flywheel, adjacent to the Starter Ring Gear.

Orders for parts affecting Overdrive Unit should be clearly marked with the **Serial Numbers of the Unit** for which the parts are required.

The Serial numbers are stamped on a plate which is fitted to the Dash and also on the Units referred to above.

DETAILS OF PARTS REQUIRED

When ordering, the most complete information should be given to enable us to deal with your requirements expeditiously and to minimise delay in the despatch of the goods. Therefore we strongly recommend that the following procedure be adopted:—

- (1) Identify part with technical description in catalogue.
- (2) On order, quote (a) part number, (b) technical description.

Note: In no case should the illustration plate number be given.

- (3) If doubt exists as to the part number or technical description, a dimensioned sketch will assist in the interpretation of the order, or, alternatively, the old part should accompany the order as a pattern. When patterns are sent, it is **most important** that they be labelled, indicating the name and address of the sender, together with any reference such as order number, etc. Patterns will not be returned unless instructions to that effect accompany the order. In the absence of such instructions, patterns will be scrapped after retention for a period of ONE WEEK.
- (4) To order in "sets" is misleading. Please, therefore, **state the specific quantity required.**

SPECIAL ATTENTION

Particular attention is drawn to the fact that when such items as wings, doors, door glasses, etc., are required, care should be taken to indicate whether they are located on the left-hand or right-hand side of the car. The position is determined by the driver's own left or right hand when seated in the car.

Orders for any coloured parts such as carpets, casings, etc., should clearly state the precise colour required.

DESPATCH INSTRUCTIONS

The full address of the destination to which the goods are to be sent, together with that of the customer, should be clearly defined.

Whilst every effort will be made to observe customers' wishes as to the mode of transport, it is the normal custom to utilize the quickest possible method, whether it be post, passenger train or road transport, this being dependent upon the size and weight of the package and the destination.

PRICES

Current retail prices shown in the Jaguar Master Parts Price List are subject to alteration without notice, and are for delivery at Works. Postage, carriage and packing will be charged extra.

DAMAGE BY FIRE OR ACCIDENT

Whilst every precaution is taken, we do not accept liability for damage which may be caused by fire to any motor car or part thereof entrusted to us for any purpose whatsoever. Nor is liability accepted for accidental damage.

INDEX TO SECTIONS

DESCRIPTION OF SECTIONS	PAGE No.	PLATE No.
ACCELERATOR CONTROLS (R.H. DRIVE STANDARD OR OVERDRIVE TRANSMISSION)	44-51	9 & 10
ACCELERATOR CONTROLS (L.H. DRIVE STANDARD OR OVERDRIVE TRANSMISSION)	53-59	11 & 12
ACCELERATOR CONTROLS (R.H. DRIVE AUTOMATIC TRANSMISSION)	62-69	13 & 14
ACCELERATOR CONTROLS (L.H. DRIVE AUTOMATIC TRANSMISSION)	70-77	15 & 16
AIR CLEANER	42-43	8
AUTOMATIC TRANSMISSION CONTROL	337-345	71 & 72
AUTOMATIC TRANSMISSION UNIT	147-171	34-39
AUTOMATIC TRANSMISSION MOUNTING DETAILS	173-181	40 & 41
BODY FITTINGS (STANDARD OR OVERDRIVE TRANSMISSION)	386-447	78-84
BODY FITTINGS (AUTOMATIC TRANSMISSION)	449-452	—
BODY PANELS	374-385	77
BODY SHELL	361-365	—
BODY UNDERFRAME	366-373	76
BRAKE CONTROLS (STANDARD OR OVERDRIVE TRANSMISSION)	273-281	60
BRAKE CONTROLS (AUTOMATIC TRANSMISSION)	283-291	61
BRAKE VACUUM SERVO	261-267	57 & 58
CARBURETTORS AND PETROL FILTER	36-41	7
CLUTCH CONTROLS	86-93	20
CLUTCH UNIT (3-4 LITRE)	80-85	17 & 19
CLUTCH UNIT (3-8 LITRE)	82-85	18 & 19
COOLING SYSTEM	347-349	73
CYLINDER BLOCK (3-4 LITRE)	1-9	1
CYLINDER BLOCK (3-8 LITRE)	10-11	—
CYLINDER HEAD (3-4 LITRE)	21-29	5
CYLINDER HEAD (3-8 LITRE)	30	—
ELECTRICAL EQUIPMENT (STANDARD TRANSMISSION)	454-485	85-87
ELECTRICAL EQUIPMENT (OVERDRIVE TRANSMISSION)	487-490	—
ELECTRICAL EQUIPMENT (AUTOMATIC TRANSMISSION)	491-495	—
EXHAUST SYSTEM	350-353	74
FINAL DRIVE UNIT (3-4 LITRE STANDARD OR AUTOMATIC TRANSMISSION)	195-201	45 & 46
FINAL DRIVE UNIT (3-4 LITRE OVERDRIVE TRANSMISSION)	203-209	47 & 48
FINAL DRIVE UNIT (POWR-LOK) (3-8 LITRE STANDARD OR AUTOMATIC TRANSMISSION)	211-217	49 & 50
FINAL DRIVE UNIT (POWR-LOK) (3-8 LITRE OVERDRIVE TRANSMISSION)	219-225	51 & 52
FRONT BRAKES	249-253	55
FRONT SUSPENSION	227-239	53
FUEL SYSTEM	355-359	75
GEARBOX (STANDARD)	95-109	21-24
GEARBOX (OVERDRIVE UNIT)	112-123	25-28
HANDBRAKE CONTROL	293-295	62
HEATER AND DEMISTER INSTALLATION	497-507	88 & 89
OIL CLEANER	14-15	3
OIL PUMP	12-13	2
OPTIONAL EXTRAS	514-516	—
OVERDRIVE UNIT	125-145	29-33
POWER-ASSISTED STEERING HYDRAULICS	322-325	69
POWER-ASSISTED STEERING OIL PUMP	319-321	68
POWER-ASSISTED STEERING UNIT (SEE CHASSIS NUMBERS)	306-317	65-67
PROPELLER SHAFT (STANDARD TRANSMISSION)	184-185	42
PROPELLER SHAFT (OVERDRIVE TRANSMISSION)	188-189	43
PROPELLER SHAFT (AUTOMATIC TRANSMISSION)	192-193	44
REAR BRAKES	255-259	56
REAR SUSPENSION	240-245	54
RESERVAC TANK	269-271	59
ROAD WHEELS	246-247	—
STEERING COLUMN	327-335	70
STEERING UNIT (STANDARD)	297-299	63
STEERING UNIT (OPTIONAL)	301-303	64
TIMING GEAR	31-35	6
TOOL KIT	512-513	92
WATER PUMP	16-19	4
WINDSCREEN WASHER	508-511	90 & 91

INDEX TO PARTS

Description	Page No.	Plate No.	Description	Page No.	Plate No.
A			A—(continued)		
'A' Post Capping	402	79	Automatic Transmission Extension Valve and Fork	154	37
'A' Post Finishers	391	78	Automatic Transmission First Clutch Friction Discs	151	35
'A' Post Panel Assembly	379	77	Automatic Transmission First Clutch Piston	151	35
Accelerator Bell Crank Lever	45-75	9-16	Automatic Transmission First Clutch Plates	151	35
Accelerator Connecting Link	45-75	9-16	Automatic Transmission First Clutch Retractor Plate	151	35
Accelerator Connecting Link Pivot Pin	45-75	9-16	Automatic Transmission First Clutch Retractor Springs	151	35
Accelerator Control Rods	46-75	9-16	Automatic Transmission Forward Gear Free Wheel Unit	152	35
Accelerator Pedal	44-74	9-16	Automatic Transmission Front Planetary Carrier	151	35
Accelerator Pedal Bracket	44-74	9-16	Automatic Transmission Front Planetary Carrier Thrust Washer	151	35
Accelerator Pedal Fulcrum Pin	44-74	9-16	Automatic Transmission Front Pump ..	150	35
Accelerator Pedal Pad	44-74	9-16	Automatic Transmission Front Pump and Collector Ring	149	35
Accelerator Pedal Shaft	44-74	9-16	Automatic Transmission Front Pump 'O' Rings	149	35
Accelerator Pedal Shaft Bearing	44-74	9-16	Automatic Transmission Front Pump Seal	150	35
Accelerator Pedal Shaft Bracket	45-72	9-15	Automatic Transmission Front Pump Thrust Washer	151	35
Accelerator Pedal Shaft Bush	44-72	9-15	Automatic Transmission Front Ring Gear	151	35
Accelerator Pedal Shaft Lever	45-74	9-16	Automatic Transmission Front Ring Gear Piston Ring	151	35
Accelerator Pedal Shaft Roller	44-70	9-15	Automatic Transmission Front Sun Gear Assembly	151	35
Accelerator Pedal Stop Screw	44-70	9-15	Automatic Transmission Front Sun Gear Piston Seal	151	35
Accelerator Steady Bar	45-75	9-16	Automatic Transmission Front Sun Gear Thrust Washer	151	35
Air Cleaner Assembly	42	—	Automatic Transmission Gear Control Cable	339 & 344	71 & 72
Air Cleaner Bracket	42	8	Automatic Transmission Gear Control Cable Abutment Brackets	339 & 344	71 & 72
Air Cleaner Intake Hose	42	8	Automatic Transmission Gear Control Cable Ball Joints	339 & 344	71 & 72
Air Cleaner Paper Element	42	8	Automatic Transmission Gear Control Cable Clamp	340	71
Air Cleaner Shell Assembly	42	8	Automatic Transmission Gear Control Cable End Fitting	340	71
Air Collector	504	89	Automatic Transmission Gear Control Cable Transfer Lever	339 & 343	71 & 72
Air Director Boxes	503	89	Automatic Transmission Governor Adjusting Lever	154	37
Air Director Box Remote Controls	504	89	Automatic Transmission Governor Assembly	154-167	37 & 38
Air Intake (Carburettors)	42	8	Automatic Transmission Governor Control Detent Piston	154	37
Ammeter	461	86	Automatic Transmission Governor Drive Gear (on Mainshaft)	152	35
Ammeter Bulb	461	—	Automatic Transmission Governor Driven Gear	155	37
Anti-Drum Felt (Front Doors)	423	—	Automatic Transmission Governor Return Spring	154	37
Anti-Drum Felt (Rear Doors)	432	—	Automatic Transmission Governor Shaft	154	37
Anti-Drum Material	410	—	Automatic Transmission Indicator Lighting Resistance	492	—
Armrest (Front Doors)	431	83	Automatic Transmission Intermediate Speed Hold Bellows	156	37
Armrest (Rear Doors)	439 & 440	84	Automatic Transmission Intermediate Speed Hold Solenoid	156	37
Ash Tray (Console)	406	79	Automatic Transmission Intermediate Speed Hold Spring	156	37
Ash Tray (Rear Door Armrest)	439 & 440	84	Automatic Transmission Intermediate Speed Hold Switch	492	—
Automatic Transmission Anti-Creep Pressure Control Switch	492	—	Automatic Transmission Low Band Servo Plate	149	34
Automatic Transmission Anti-Creep Solenoid Valve	290	61	Automatic Transmission Low Band Servo Plate Gaskets	149	34
Automatic Transmission Anti-Creep Throttle Switch	175	40			
Automatic Transmission Anti-Creep Throttle Switch Bracket	175	40			
Automatic Transmission Anti-Creep Throttle Switch Lever	175	40			
Automatic Transmission Brake Bands ..	149-166	34 & 38			
Automatic Transmission Case	147 & 162	34 & 38			
Automatic Transmission Collector Ring ..	149	35			
Automatic Transmission Control Housing and Shaft Assembly	337 & 342	71 & 72			
Automatic Transmission Control Indicator Arm	338 & 342	71 & 72			
Automatic Transmission Control Indicator Arm Bracket	338 & 342	71 & 72			
Automatic Transmission Control Linkage Grommets	337-343	71 & 72			
Automatic Transmission Control Selector Lever	338 & 342	71 & 72			
Automatic Transmission Control Selector Lever Gate	337 & 342	71 & 72			
Automatic Transmission Control Operating Link	338 & 344	71 & 72			
Automatic Transmission Converter Shuttle Valves	153	36			
Automatic Transmission Converter Valve Body Assembly	153	36			
Automatic Transmission Cover Sealing ..	449	—			
Automatic Transmission Detent Cam ..	154	37			
Automatic Transmission Dipstick (on Unit)	147	34			
Automatic Transmission Dipstick (under Bonnet)	176 & 180	40 & 41			
Automatic Transmission Dipstick Tubes ..	176 & 180	40 & 41			
Automatic Transmission Extension Case Assembly	154 & 163	37 & 38			

INDEX TO PARTS

Description	Page No.	Plate No.	Description	Page No.	Plate No.
<i>A—(continued)</i>			<i>A—(continued)</i>		
Automatic Transmission Low/Forward Band Servo Cylinder	148	34	Automatic Transmission Speedometer Drive Gear Housing	155	37
Automatic Transmission Mainshaft	150–166	35 & 38	Automatic Transmission Speedometer Drive Gear Housing Gaskets	155	37
Automatic Transmission Mainshaft Bearing	152–166	35 & 38	Automatic Transmission Speedometer Driven Gear	156	37
Automatic Transmission Mainshaft Oil Transfer Tube	150 & 166	35 & 38	Automatic Transmission Thrust Washer Kit	157 & 169	—
Automatic Transmission Mainshaft Piston Ring	150	35	Automatic Transmission Toggle Arm Lever	147	34
Automatic Transmission Multi-Disc Clutch Repair Kit	157 & 169	—	Automatic Transmission Torque Converter	147	—
Automatic Transmission Manifold Plate	153	36	Automatic Transmission Torque Converter Drive Reinforcement Plate	174	40
Automatic Transmission Oil Filter	153	36	Automatic Transmission Torque Converter Driving Plate	174 & 178	40 & 41
Automatic Transmission Oil Sump	153–168	36 & 39	Automatic Transmission Torque Converter Housing	173 & 178	40 & 41
Automatic Transmission Overhaul Gaskets Set	156 & 169	—	Automatic Transmission Torque Converter Housing Covers	173 & 178	40 & 41
Automatic Transmission Overhaul Seals Kit	156 & 169	—	Automatic Transmission Torque Converter Housing Stoneguard	173 & 178	40 & 41
Automatic Transmission Parking Brake Gear (on Mainshaft)	152	35	Automatic Transmission Torque Converter Housing Support Brackets	173 & 178	40 & 41
Automatic Transmission Parking Brake Piston	155	37	Automatic Transmission Unit Rear Mounting Bracket	175 & 179	40 & 41
Automatic Transmission Parking Brake Rod	148	34	Automatic Transmission Universal Joint Flange	152	35
Automatic Transmission Parking Pawl and Toggle	155	37	Automatic Transmission Valve Block Assembly	152	—
Automatic Transmission Planetary Gear Retainer	150	35			
Automatic Transmission Pressure Test Plugs	147	34	B		
Automatic Transmission Rear Planetary Carrier	150	35	'B/C' Post Chrome Beads	422	82
Automatic Transmission Rear Planetary Carrier Piston Ring	150	35	'B/C' Post Draught Piping	428	—
Automatic Transmission Rear Pump Assembly	155 & 166	38	'B/C' Post Facias	404	79
Automatic Transmission Rear Pump Body	155	37	'B/C' Post Finishers	423	82
Automatic Transmission Rear Pump Cover	155	37	'B/C' Post Panel Assembly	379	77
Automatic Transmission Rear Pump Gaskets	155	37	'B/C' Post Spacer	379	77
Automatic Transmission Rear Pump Gears	155	37	'B/C' Post Top Capping	404	79
Automatic Transmission Rear Ring Gear	151	35	'B/C' Post Trim Panel	404	79
Automatic Transmission Rear Ring Gear 'O' Ring	151	35	Backlight Glass	413	83
Automatic Transmission Rear Ring Gear Piston Ring	151	35	Backlight Glass (Electrically Heated)	514	—
Automatic Transmission Rear Sun Gear	151	35	Backlight Glass Finishers	413	81
Automatic Transmission Rear Sun Gear Retainer	151	35	Backlight Glass Finisher Joint Piece	414	81
Automatic Transmission Rear Sun Gear Thrust Washer	151	35	Backlight Glass Seal	413	81
Automatic Transmission Relief Valve Body Assembly	153	36	Backlight Reinforcement Panels	380	77
Automatic Transmission Reverse Gear Free Wheel Unit	152	35	Backlight Trim Panel	413	81
Automatic Transmission Reverse Lever Stop Plate	155	37	Battery	477	87
Automatic Transmission Reverse Servo Cylinder	148	34	Battery Cables	478	—
Automatic Transmission Reverse Servo Plate	148	34	Battery Cover Assembly	477	87
Automatic Transmission Reverse Servo Plate Gaskets	148	34	Battery Cover Replacement Kit	477	—
Automatic Transmission Selector Control Seal	147	—	Battery Fixing Rods	478	87
Automatic Transmission Selector Control Shaft	147	34	Battery Strap	477	87
Automatic Transmission Selector Lever	147	34	Battery Tray	477	87
Automatic Transmission Servo Pistons	148	34	Battery Tray Drain Tube	477	—
Automatic Transmission Servo Piston Seals	148	34	Big End Bearings	2	1
Automatic Transmission Speedometer Drive Gear	155	37	Body Harness	479	—
			Body Panel, Lower Rear Inner	371	76
			Body Panel, Lower Rear Outer	384	77
			Body Reinforcement Panels	366–380	76 & 77
			Body Sealing Plugs	384	77
			Body Shell	361 & 362	—
			Body Side Assembly	367	—
			Body Underframe Assembly	366	—
			Bonnet Catch Base Plate	376	77
			Bonnet Catch Centring Peg	376	77
			Bonnet Catch Safety Hook	377	77
			Bonnet Catch Safety Hook Pivot Pin	377	77
			Bonnet Catch Safety Hook Spring	377	77
			Bonnet Catch Spacing Bush	376	77
			Bonnet Catch Striker Plate	376	77
			Bonnet Catch Return Spring	376	77
			Bonnet Chrome Beads	420 & 421	82
			Bonnet Assembly	375	77
			Bonnet Hinges	375	77

INDEX TO PARTS

Description	Page No.	Plate No.
B—(continued)		
Bonnet Insulating Pads	388	—
Bonnet Lock Control Wire	388	78
Bonnet Lock Reinforcement	375	77
Bonnet Rest Rubber	388	78
Bonnet Rubber Buffer	388	—
Boot Lamp	477	87
Bottom Timing Chain	32	6
Bottom Timing Chain Damper	33	6
Bottom Timing Chain Vibration Damper	33	6
Brake Fluid Container	273 & 283	60 & 61
Brake Fluid Container Clip	273 & 283	60 & 61
Brake Fluid Level/Handbrake Warning Light	86	43
Brake Fluid Level Indicator	273 & 283	60 & 61
Brake Fluid Low Pressure Hoses	273 & 283	60 & 61
Brake Fluid Low Pressure Pipes	273 & 283	60 & 61
Brake Hydraulic Hoses	273-287	60 & 61
Brake Hydraulic Pipes	273-288	60 & 61
Brake Hydraulic Pipe 3-way Adaptor	280 & 290	60 & 61
Brake Hydraulic Pipe 4-way Adaptor	278 & 289	60 & 61
Brake Master Cylinder	274 & 283	60 & 61
Brake Master Cylinder Repair Kit	274 & 285	—
Brake Pedal	276 & 286	60 & 61
Brake Pedal Fibre Washer	276 & 286	60 & 61
Brake Pedal Housing	275 & 285	60 & 61
Brake Pedal Housing Gasket	275 & 285	60 & 61
Brake Pedal Pads	276 & 286	60 & 61
Brake Pedal Return Spring	276 & 286	60 & 61
Brake Pedal Shaft	275 & 285	60 & 61
Brake Servo Air Cleaner	277 & 287	60 & 61
Brake Servo Air Cleaner Hose	277 & 287	60 & 61
Brake Servo Air Control Valve Repair Kit	266	—
Brake Servo Cowl	277	—
Brake Servo Hoses	269 & 270	59
Brake Servo Hose Banjo	269	59
Brake Servo Main Cylinder Repair Kit	266	—
Brake Servo Repair Kit	266	—
Brake Servo Reservac Check Valve	269	59
Brake Servo Reservac Hoses	269 & 270	59
Brake Servo Reservac Tank	269	59
Brake Servo Reservac Tank Stoneguard	269	59
Brake Servo Slave Cylinder Repair Kit	266	—
Brake Servo Unit	265	58
Brake Servo Vacuum Pipe	25 & 270	5 & 59
Brake Servo Vacuum Pipe Adaptor	25	5
Breather Hoses	24	5
Breather Housing	24	5
Breather Housing Gauze Filter	24	5
Breather Pipe	24	5
By-Pass Hose	16	4
C		
Cable Clips	481	—
Cable Sleeves	480	—
Cable Strapping	482	—
Camshafts	22	5
Camshaft Bearings	22	5
Camshaft Covers	23	5
Camshaft Sprockets	31	6
Cantrail Cappings	403 & 404	79
Cantrail Closing Panels	380	77
Cantrail Panels	380	77
Cantrail Trim Panel	412	81
Cantrail Trim Roll	412	81
Cap Screws	1	1
Carburettor Acceleration Jet	36	7
Carburettor Acceleration Needle	36	7
Carburettor Acceleration Solenoid	37	7
Carburettor Assembly	36	7
Carburettor Body	36	7
Carburettor Float	36	7
Carburettor Float Chamber	36	7
Carburettor Float Chamber Lid	36	7

Description	Page No.	Plate No.
C—(continued)		
Carburettor Gaskets	38	7
Carburettor Insulator	38	7
Carburettor Jet Assembly	36	7
Carburettor Jet Bearing	36	7
Carburettor Jet Housing	36	7
Carburettor Jet Needle	36	7
Carburettor Needle and Seat	36	7
Carburettor Overflow Pipes	38	7
Carburettor Slow Running Valve	37	7
Carburettor Suction Chamber	36	7
Carburettor Suction Chamber Damper	36	7
Carburettor Throttle Lever	38	7
Carpets	407 & 408	80
Carpets (Automatic Transmission)	449-451	—
Carpet Fasteners	407 & 408	80
Carpet Felts	409 & 451	—
Chain Tensioner	33	6
Chain Tensioner Filter Gauze	33	6
Chain Tensioner Repair Kit	33	—
Change Speed Lever Grommet (Gearbox Cover)	391	78
Choke Thermostat	27	5
Cigar Lighter	464	86
Clock	464	86
Clutch Flexible Hose	89	20
Clutch Fluid Container	91	20
Clutch Housing	86	20
Clutch Housing Cover Plate	86	20
Clutch Housing Oil Seal	86	20
Clutch Housing Support Brackets	86	20
Clutch Hydraulic Pipes	89 & 90	20
Clutch Master Cylinder	90	20
Clutch Master Cylinder Repair Kit	90	—
Clutch Operating Fork	87	20
Clutch Operating Fork Return Spring	88	20
Clutch Operating Rod	88	20
Clutch Operating Rod Adjuster	88	20
Clutch Pedal	92	20
Clutch Pedal Aperture Cover (Automatic Transmission)	92	—
Clutch Pedal Bush	92	—
Clutch Pedal Housing	91	20
Clutch Pedal Housing Gasket	91	20
Clutch Pedal Pads	92	20
Clutch Pedal Return Spring	92	20
Clutch Pedal Shaft	91	20
Clutch Shaft	87	20
Clutch Slave Cylinder	87	20
Clutch Slave Cylinder Repair Kit	88	—
Clutch Unit (3-4 litre)	80 & 84	17 & 19
Clutch Unit (3-8 litre)	82 & 84	18 & 19
Connecting Rods	2	1
Connecting Rod Bearings	2	1
Console Assembly	405	79
Control Box	458	85
Control Box Cover	458	85
Control Box Resistance	458	—
Crankshaft	2	1
Crankshaft Damper	2	1
Crankshaft Oil Seals	1 & 3	1
Crankshaft Pulley	2	1
Crankshaft Thrust Washers	2	1
Cubby Box	400	79
Cubby Box Lamp	401 & 472	79 & 87
Cubby Box Lamp Insulator	472	—
Cubby Box Lamp Switch	472	87
Cubby Box Lid	401	79
Cubby Box Lid Finger Pull	401	79
Cubby Box Lid Lock	401	—
Cubby Box Lid Quadrant	401	79
Cylinder Block (3-4 litre)	1	1
Cylinder Block (3-8 litre)	10	—
Cylinder Block Core Plugs	1	1
Cylinder Block Dowels	1	1
Cylinder Block Drain Tap	1	1
Cylinder Block Liner (3-4 litre)	1	—
Cylinder Block Liner (3-8 litre)	10	—

INDEX TO PARTS

Description	Page No.	Plate No.	Description	Page No.	Plate No.
C--(continued)			E--(continued)		
Cylinder Block Welch Washers	1	1	Exhaust Heat Shields	350 & 351	74
Cylinder Head (3-4 litre)	21	5	Exhaust Manifolds	24 & 25	5
Cylinder Head (3-8 litre)	30	—	Exhaust Manifold Gaskets	25	5
Cylinder Head Gasket (3-4 litre)	21	5	Exhaust Manifold Sealing Ring	350	74
Cylinder Head Gasket (3-8 litre)	30	—	Exhaust Manifold Studs	21	5
Cylinder Head Oil Pipe	24	5	Exhaust Pipe Clips	351 & 352	74
Cylinder Head Studs	1	1	Exhaust Silencers	350	74
Cylinder Head Core Plugs	21	5	Exhaust Silencer Rubber Mountings	351	74
			Exhaust Tail Pipe Assembly	351 & 352	74
			Exhaust Tail Pipe Rubber Mounting	352	74
D			F		
'D' Post Closing Panel	379	77	Facia Boards	399	79
'D' Post Panel	379	77	Facia Board Mounting Brackets	399	79
'D' Post Spacer	379	77	Facia Board Support Brackets	400	79
Dash Centre Assembly	368 & 369	76	Facia Board Tie Brackets	399 & 400	79
Dash Side Panels	379	77	Facia Reinforcement Panel	378	77
Decarbonising Gaskets (3-4 litre)	21	—	Fan	16	4
Decarbonising Gaskets (3-8 litre)	30	—	Fan Belt	16	4
Demister Elbows	502	88	Fan Belt Tensioner	34	6
Demister Hoses	502	88	Fan Cowl	347	73
Demister Nozzles	502	88	Final Drive Unit Breather	195-224	45-52
Demister Outlet Seal (Heater Case)	497	88	Final Drive Unit Companion Flange	195-224	45-52
Dipper Switch	468	87	Final Drive Unit Crown Wheel and Pinion	195-224	45-52
Direction Indicator/Headlamp Flasher Switch	468	87	Final Drive Unit Crown Wheel Lock Straps	195-224	45-52
Direction Indicator Switch Striker Plate	333	70	Final Drive Unit Differential Adjusting Shims	195-224	45-52
Distributor	456	85	Final Drive Unit Differential Assembly	196-224	45-52
Distributor Cap	456	85	Final Drive Unit Differential Bearings	195-224	45-52
Distributor Cap Brush and Spring	456	85	Final Drive Unit Differential Case	195-224	45-52
Distributor Condenser	456	85	Final Drive Unit Differential Friction Discs	223 & 224	49 & 52
Distributor Contact Set	456	85	Final Drive Unit Differential Friction Plates	223 & 224	49 & 52
Distributor Rotor	456	85	Final Drive Unit Drive Shafts	195-224	45-52
Distributor Sealing Ring	1	—	Final Drive Unit Drive Shaft Bearings	195-224	45-52
Distributor Suction Pipe	457	85	Final Drive Unit Drive Shaft Bearing Shims	195-224	45-52
Distributor Suction Pipe Elbow	457	85	Final Drive Unit Drive Shaft Flanges	196-224	45-52
Distributor Vacuum Unit	456	—	Final Drive Unit Drive Shaft Flange Oil Seal	196-224	45-52
Door Seal Retainers (on Sills)	380	77	Final Drive Unit Filler and Drain Plugs	195-224	45-52
Door Sill Panels	380	77	Final Drive Unit Gear Carrier	195-224	45-52
Door Stop Buffers	415	81	Final Drive Unit Gear Carrier Cover	195-224	45-52
Drain Tap (Cylinder Block)	1	1	Final Drive Unit Half-Shaft Bolts	196-224	45-52
Drip Moulding	380	77	Final Drive Unit Pinion Bearings	195-224	45-52
Drip Moulding Chrome Finishers	420	82	Final Drive Unit Pinion Bearing Shims	195-224	45-52
Drip Moulding Chrome Finisher Joint Piece	420	82	Final Drive Unit Pinion Mate Gears	196-224	45-52
Dynamo	454	85	Final Drive Unit Pinion Mate Gear Shaft	196-224	45-52
Dynamo Adjusting Link	33	6	Final Drive Unit Pinion Oil Seal	195-224	45-52
Dynamo Armature	454	—	Final Drive Unit Side Gears	196-224	45-52
Dynamo Bracket	4 & 11	1	Final Drive Unit Side Gear Ring	223 & 224	49 & 52
Dynamo Brushes	454	—	Flasher Lens (Rear)	469 & 470	87
Dynamo Fan	455	85	Flasher Unit	471	87
Dynamo Field Coils	454	—	Flywheel	3	1
Dynamo Pulley	455	85	Fog Lamps	474	87
			Fog Lamp Bulb	474	—
E			Fog Lamp Light Unit	474	—
Earth Cables	480	—	Fog Lamp Recess Grille	386	78
Electric Clock	464	86	Fog Lamp Sealed Beam Unit	474	87
Electric Clock Remote Control	464	86	Forward Luggage Floor	371	76
Electrical Cables	480	—	Front Brake Calipers	249	55
Electrical Harnesses	478 & 479	—	Front Brake Caliper and Piston Assembly	249	55
Electrical Harnesses (Automatic Transmission)	494	—	Front Brake Caliper Bleed Screw	249	55
Electrical Harnesses (Overdrive Transmission)	489	—	Front Brake Caliper Bridge Pipe	249	55
Engine Decarbonising Gaskets (3-4 litre)	21	—	Front Brake Caliper Shims	249	55
Engine Decarbonising Gaskets (3-8 litre)	30	—	Front Brake Cylinder Seal Kit	249	55
Engine Mounting Brackets	5 & 11	1	Front Brake Disc	250	55
Engine Overhaul Gaskets (3-4 litre)	8	—	Front Brake Friction Pad Kit	249	55
Engine Overhaul Gaskets (3-8 litre)	11	—	Front Brake Friction Pad Stop Plate	249	55
Exhaust Camshaft Flanged Plug	23	5	Front Brake Friction Pad Support	249	55
Exhaust Camshaft Oil Thrower	22	5			
Exhaust Camshaft Sealing Ring	22	5			
Exhaust Down Pipe	350	74			
Exhaust Down Pipe Sealing Ring	350	74			
Exhaust Flexible Pipe	350	74			

INDEX TO PARTS

Description	Page No.	Plate No.
F—(continued)		
Front Brake Piston and Cylinder Assembly	249	55
Front Bumper Assembly	386	—
Front Bumper Bar	386	78
Front Bumper Brackets	386	78
Front Bumper Override	386	78
Front Bumper Override Beading	386	78
Front Cross Member	367	76
Front Cross Member Brace	367	76
Front Cross Member Closing Plate	367	76
Front Cross Member Cover Plate	388	78
Front Door Capping	404	79
Front Door Casing	430	83
Front Door Check Arm	381	77
Front Door Check Arm Guide Spring	382	77
Front Door Chrome Beads	421-423	82
Front Door Dovetail Plate	424	83
Front Door Draught Piping	428	—
Front Door Facia	404	79
Front Door (Fully Trimmed)	423	—
Front Door Handle (Inside)	424	83
Front Door Handle (Outside)	422 & 424	82 & 83
Front Door Hinges	381	77
Front Door Lock	423	83
Front Door Lock Links	425	83
Front Door Lock Striker	424	83
Front Door No Draught Ventilator	429	83
Front Door Remote Control and Link Assembly	425	83
Front Door Safety Catch	425	83
Front Door Sealing Rubbers	428	83
Front Door Shell	381	77
Front Door Sill Tread Plates	392	78
Front Door Weatherstrip	404	80
Front Door Window Frames	426 & 427	83
Front Door Window Frame Felts	427	83
Front Door Window Frame Glass	427	83
Front Door Window Frame Seal	427	83
Front Door Window Regulator	426	83
Front Door Window Regulator Deflector Plate	426	83
Front Door Window Regulator Handle	426	83
Front Door Window Regulator Handle Escutcheon	426	83
Front Engine Mountings	5	1
Front Engine Mounting Brackets	5 & 11	1
Front Engine Mounting Support Brackets	6	1
Front Engine Stabilising Link	6	1
Front Engine Stabilising Link Bush	6	1
Front Engine Stabilising Link Rubber Buffers	6	1
Front Flasher Lamps	468 & 469	87
Front Flasher Lamp Bulb	468	—
Front Flasher Lamp Lens	468 & 469	87
Front Flasher Lamp Lens Gasket	468	87
Front Floor Assembly	369	76
Front Floor Cross Member	369	—
Front Hub Assembly	232	53
Front Hub Bearings	231	53
Front Hub Cap	232	53
Front Hub Studs	232	—
Front Hub Water Deflector	231	53
Front Jacking Tubes	367	76
Front Number Plate Carrier	386	78
Front Seats	394 & 395	78
Front Seat Anchor Bracket	398	78
Front Seat Pivot Plate	398	78
Front Seat Slides	397	78
Front Seat Slide Controls	395	78
Front Seat Squab Rake Controls	397	78
Front Suspension Anti-Roll Bar	236	53
Front Suspension Anti-Roll Bar Bushes	236	53
Front Suspension Anti-Roll Bar Links	236	53
Front Suspension Anti-Roll Bar Link Pads	236	53
Front Suspension Assemblies	227	53

Description	Page No.	Plate No.
F—(continued)		
Front Suspension Bump Stops	227	53
Front Suspension Camber Shims	228	53
Front Suspension Coil Spring	229	53
Front Suspension Coil Spring Seat	229	53
Front Suspension Cross Member Assembly	227	53
Front Suspension Cross Member Rubber Mountings	227	53
Front Suspension Lower Ball Pin	231	53
Front Suspension Lower Ball Pin Gaiter	231	53
Front Suspension Lower Ball Pin Socket	231	53
Front Suspension Lower Ball Pin Spigot	231	53
Front Suspension Lower Wishbones	229	53
Front Suspension Lower Wishbone Bushes	229	53
Front Suspension Lower Wishbone Fulcrum Shaft	229	53
Front Suspension Rebound Stops	228	53
Front Suspension Shock Absorbers	230	53
Front Suspension Shock Absorber Bracket	230	53
Front Suspension Shock Absorber Rubber Buffers	230	53
Front Suspension Stub Axle Carrier	231	53
Front Suspension Stub Axle Shaft	231	53
Front Suspension Stub Axle Shaft Seal	231	53
Front Suspension Upper Ball Joints	229	53
Front Suspension Upper Ball Joint Gaiter	229	—
Front Suspension Upper Wishbone Assemblies	228	53
Front Suspension Upper Wishbone Fulcrum Shafts	228	53
Front Suspension Upper Wishbone Fulcrum Shaft Bushes	228	53
Front Suspension Upper Wishbone Levers	228	53
Front Timing Cover	1	1
Front Wings	374	77
Front Wing Capping Strips	374	77
Front Wing Closing Plate	377	77
Front Wing Diaphragm Seal Assembly	375	77
Front Wing Stay Brackets	374	77
Front Wing Valances	367 & 368	76
Front Wing Valance Cover Plate	377	77
Front Wing Valance Filler Panel	367 & 368	76
Fuse Box	458	85
Fuse Box Bracket	459	85
Fuse Connector (Automatic Transmission)	492	—
Fuse Connector (Overdrive Transmission)	487	—
G		
Gearbox Breather Plug	96 & 119	21-27
Gearbox Case	95-118	21-27
Gearbox Change-Speed Forks	95-118	21-27
Gearbox Change-Speed Lever	97-119	21-27
Gearbox Change-Speed Lever Bushes	97-120	21-27
Gearbox Change-Speed Lever Grommet	391	78
Gearbox Change-Speed Lever Housing	96-120	21-27
Gearbox Change-Speed Lever Knob	97-119	21-27
Gearbox Change-Speed Selector	97-119	21-27
Gearbox Constant Pinion Bearing	95-120	21-28
Gearbox Constant Pinion Shaft	98-120	22-28
Gearbox Countershaft	98-121	22-28
Gearbox Countershaft Gear Unit	99-121	22-28
Gearbox Countershaft Thrust Washers	99-121	22-28
Gearbox Cover	391	78
Gearbox Drain Plug	95-118	21-27
Gearbox Extension	95	21
Gearbox Filler Plug	95-118	21-27
Gearbox Mainshaft	98-120	22-28
Gearbox Mainshaft Bearing	95-118	21-27
Gearbox Mainshaft Bearing Circlip	95-118	21-27

INDEX TO PARTS

Description	Page No.	Plate No.	Description	Page No.	Plate No.
G—(continued)			H—continued		
Gearbox Mainshaft Gears	98-120	22-28	Heater Control Vacuum Hoses	501 & 502	88
Gearbox Mainshaft Operating Sleeves	98-120	22-28	Heater Control Vacuum Pipes	501	88
Gearbox Remote Control	96-118	21-27	Heater Fan	498	88
Gearbox Remote Control Shaft	96-118	21-27	Heater Fan Switch	461	86
Gearbox Remote Control Shaft Seal	96-118	21-27	Heater Hoses	498-502	88
Gearbox Reverse Gear	98-121	22-28	Heater Hose Clips	498-502	88
Gearbox Reverse Slipper	98-121	22-28	Heater Motor	497	88
Gearbox Reverse Spindle	98-121	22-28	Heater Motor Grommets	498	88
Gearbox Selector Finger	97-119	21-27	Heater Motor Housing	498	88
Gearbox Selector Lever	97-119	21-27	Heater Motor Resistance	497	—
Gearbox Selector Lever Bush	97-119	21-27	Heater Motor Seal	498	88
Gearbox Selector Lever Pivot Jaw	97-119	21-27	Heater Pipes	498 & 499	88
Gearbox Striking Rods	95-118	21-27	Heater Pipe Elbows	499	88
Gearbox Synchronising Sleeves	98-120	21-28	Heater Pipe Fixings	500	88
Gearbox Top Cover	96-119	21-27	Heater Radiator	497	88
			Heater Radiator Seals	497	88
			Heater Recirculation Door Rubber Seal	392	—
			Heater Water Vacuum Valve	499	88
			High Tension Leads	27	—
			High Tension Lead Conduit	27	—
			Horns	472	87
H			Horn Contact	332	70
Handbrake Assembly	293	62	Horn Contact Holder	332	70
Handbrake Cable	293	62	Horn Contact Insulating Strip	332	70
Handbrake Cable Abutment Bracket	293	62	Horn Earth Contact	331	70
Handbrake Cable Adjusting Nut	293	62	Horn Mounting Bracket	472	87
Handbrake Cable Trunnion	293	62	Horn Relay	472	87
Handbrake Lever	293	62	Horn Ring	473	87
Handbrake Lever Shaft	293	62	Horn Ring Cover	473	87
Handbrake Lever Shaft Housing	293	62	Horn Slip Ring	332	70
Handbrake Mechanism	257 & 258	56	Horn Slip Ring Cable	332	70
Handbrake Mechanism Adjusting Nut	257	56	Horn Slip Ring Rotor	332	70
Handbrake Mechanism Pawl	257	56	Hydraulic Brake Flexible Hoses	279 & 289	60 & 61
Handbrake Mechanism Protection Covers	257	56	Hydraulic Brake Hose Brackets (Front Suspension)	233	—
			Hydraulic Brake Pipes	273-290	60 & 61
Handbrake Mechanism Repair Kit	258	—	Hydraulic Brake Pipe Clips and Grommets	279-290	60 & 61
Handbrake Mechanism Retraction Plate	258	56	Hydraulic Brake 3-way Adaptor	280 & 290	60 & 61
Handbrake Operating Levers	257	56	Hydraulic Brake 4-way Union	278 & 288	60 & 61
Handbrake Operating Lever Return Spring	257 & 294	56 & 62			
Handbrake Pad Carriers	257 & 258	56	I		
Handbrake Pad Carrier Bolt	257	56	Idler Sprocket	31	6
Handbrake Warning Light	464	86	Idler Sprocket Eccentric Shaft	31	6
Handbrake Warning Light Bracket	464	86	Ignition Barrel	460	86
Handbrake Warning Light Escutcheon	464	86	Ignition Coil	456	85
Handbrake Warning Light Switch	294 & 465	62 & 86	Ignition Coil Bracket	456	85
Handbrake Warning Light Switch Operating Bracket	294	62	Ignition Switch	460	86
Headlamp	465-467	87	Ignition Switch Adaptor Plate	460	86
Headlamp Bulb	466 & 467	—	Ignition Timing Pointer	4	1
Headlamp Dipper Switch	468	87	Inlet Camshaft Seal	23	5
Headlamp Dipper Switch Rubber Cap	468	87	Inlet Manifold (3-4 litre)	25	5
Headlamp Embellisher Rim	467	87	Inlet Manifold (3-8 litre)	30	—
Headlamp Flasher Switch	473	87	Inlet Manifold Studs	21	5
Headlamp Gasket	466	87	Inner Steering Column	328 & 329	70
Headlamp Light Unit	466 & 467	—	Inner Steering Column Thrust Bearing	330	70
Headlamp Sealed Beam Unit	465 & 466	87	Inside Handle (Front Doors)	424	83
Head Lining	411	—	Inside Handle (Rear Doors)	433	84
Heat Distributor Box (Rear Compartment)	505	89	Inside Handle Escutcheon (Front Doors)	426	83
Heater Adaptors	16 & 17	4	Inside Handle Escutcheon (Rear Doors)	435	84
Heater Air Intake Seal	497	88	Instrument Board	399	79
Heater Case	497	88	Instrument Panel Assembly	459	86
Heater Case Air Flap Seals	497	88	Insulating Felts	409 & 410	—
Heater Case Air Flap Spring	497	88	Insulators and Sleeves	482	—
Heater Case Demister Outlet Seal	497	88	Interior Lamps	412 & 413	81
Heater Case Lid	497	88	Interior Lamp Door Switches	476	87
Heater Case Seal (Dash)	497	88	Interior Lamp Switch	461	86
Heater Control Cable	500	88	Interior Trimming	411	—
Heater Control Cable Clamp	500	88	Interior Mirror	391	78
Heater Control Cable Clip	500	88	Intermediate Cross Member	370	—
Heater Control Cable End Fitting	503	89	Intermediate Sprocket	32	6
Heater Control Knobs	503	89	Intermediate Sprocket Shaft	32	6
Heater Control Lever	502	89			
Heater Control Lever Escutcheon	502	89	J		
Heater Control Lever Plate	503	89	Jack Strap	416	81
Heater Control Reservac Tank	501	88	Jaguar Mascot (Bonnet)	421	82
Heater Control Reservac Tank Check Valve	501	88			
Heater Control Vacuum Control Box	503	89			
Heater Control Vacuum Diaphragm	502	88			

INDEX TO PARTS

Description	Page No.	Plate No.
K		
Kick-Down Control Rods	63-75	13-16
Kick-Down Cross Shaft	63-75	13-16
Kick-Down Levers	63-75	13-16
L		
Licence Holder	391	78
Locking Barrel (Front Door Handles) ..	424	—
Lock Remote Control (Front Doors) ..	425	83
Lock Remote Control (Rear Doors) ...	433 & 434	84
Longitudinal Stiffener ('A' Posts)	367 & 368	76
Loudspeaker Grille	405	79
Lower Steering Column	327	70
Lower Steering Column Gaiter	327	70
Lower Steering Column Journal	327	70
Lower Steering Column Nylon Roller ..	327	70
Lower Steering Column Socket	327	70
Luggage Compartment Side Casing	416 & 417	81
M		
Main Bearings	2	1
Map Light	87	87
Map Light Switch	461	86
Micro Adjustment Plate	32	6
N		
No Draught Ventilator (Front Doors) ..	429	83
No Draught Ventilator (Rear Doors) ...	438 & 439	84
No Draught Ventilator Catch (Rear Doors)	438 & 439	84
No Draught Ventilator Catch Base (Rear Doors)	439	84
No Draught Ventilator Catch Bracket (Rear Doors)	438	84
No Draught Ventilator Hinge Plate (Rear Doors)	438	—
No Draught Ventilator Index Sleeve (Front Doors)	430	83
No Draught Ventilator Locking Handle (Front Doors)	429	83
No Draught Ventilator Sealing Rubber (Front Doors)	430	83
No Draught Ventilator Sealing Rubber (Rear Doors)	439	84
No Draught Ventilator Upper Pivot (Front Doors)	429	83
Number Plate Illumination Lamp	471	87
O		
Oil Cleaner	14	3
Oil Cleaner Element	14	3
Oil Delivery Pipe	12	2
Oil Filler Cap	24	5
Oil Gallery Plugs	1	1
Oil Pressure Gauge	462	86
Oil Pressure Gauge Element	462	86
Oil Pump	12	2
Oil Pump Cover	12	2
Oil Pump Drive Gear	12	2
Oil Suction Pipe	12	2
Oil Sump	3	1
Oil Sump Baffle	4	1
Oil Sump Dipstick	4	1
Oil Sump Drain Plug	3	1
Oil Sump Gasket	3	1
Oil Sump Hose	4	1
Oil Sump Pipe	4	1
Oil Sump Seals	3	1
Optional Extras	514-516	—
Outside Handle (Front Doors)	422-424	82 & 83

Description	Page No.	Plate No.
O—(continued)		
Outside Handle (Rear Doors)	424-433	82 & 84
Outside Handle Link (Front Doors) ...	425	83
Outside Handle Link (Rear Doors) ...	433	84
Overdrive Indicator Lighting Resistance	492	—
Overdrive Operating Switch	492	—
Overdrive Unit Accumulator Piston	126-142	29-33
Overdrive Unit Accumulator Piston Housing	126-142	29-33
Overdrive Unit Annulus Assembly	128-143	30-33
Overdrive Unit Annulus Ball Bearing ...	129-143	30-33
Overdrive Unit Brake Ring	128-143	30-33
Overdrive Unit Drain Plug	126-141	29-33
Overdrive Unit Extension	125-133	29-31
Overdrive Unit Front Casing	125-141	29-33
Overdrive Unit Magnetic Ring	126-142	29-33
Overdrive Unit Main Operating Valve ..	125-141	29-33
Overdrive Unit Oil Filter	126-142	29-33
Overdrive Unit Oil Pump Body	125-141	29-33
Overdrive Unit Oil Pump Cam	126-142	29-33
Overdrive Unit Oil Pump Plunger	125-141	29-33
Overdrive Unit Operating Piston	126-142	29-33
Overdrive Unit Planetary Carrier	128-143	30-33
Overdrive Unit Propeller Shaft Flange ..	129-144	30-33
Overdrive Unit Rear Casing	129-144	30-33
Overdrive Unit Rear Casing Oil Seal ...	129-144	30-33
Overdrive Unit Sliding Member	127	30
Overdrive Unit Sliding Member Ball Bearing	127-143	30-33
Overdrive Unit Solenoid	127-142	29-33
Overdrive Unit Solenoid Bracket	127-142	29-33
Overdrive Unit Solenoid Bracket Cover Plate	127-142	29-33
Overdrive Unit Speedometer Drive	129-144	30-33
Overdrive Unit Sun Wheel	128-143	30-33
Overdrive Unit Thrust Ring	127-143	30-33
Overdrive Unit Thrust Springs	127-143	30-33
Overdrive Unit Thrust Washers	128-143	30-33
Overdrive Unit Uni-Directional Clutch Cage	128-144	30-33
Overdrive Unit Uni-Directional Clutch Inner Member	128 & 144	30-33
Overdrive Unit Uni-Directional Clutch Rollers	128 & 144	30-33
Overdrive Unit Uni-Directional Clutch Thrust Washer	128-144	30-33
P		
Panel Light Switch	461	86
Parcel Shelf Cover Plates	370	—
Parcel Shelf Panel Assembly	370	76
Parcel Shelf Trim	414	81
Parcel Tray Assembly	393	78
Parcel Tray Crash Roll	394	78
Pedal Aperture Cover	363	—
Petrol Filler Box	372	76
Petrol Filler Cap	355	75
Petrol Filler Door	383	77
Petrol Filler Door Stop	419	—
Petrol Filter	38 & 357	7 & 75
Petrol Filter Bracket	357	75
Petrol Gauge	461	86
Petrol Pipes	356-358	75
Petrol Pipe Assembly (Carburettors) ...	38 & 358	7 & 75
Petrol Pipe Clips	357	75
Petrol Pipe Tee Piece	357	75
Petrol Pumps	356 & 457	75 & 85
Petrol Pump Clip	356	75
Petrol Pump Diaphragm Assembly	457	85
Petrol Pump Filter	457	85
Petrol Pump Rocker and Blade Assembly	457	85
Petrol Pump Rubber Mountings	356	75
Petrol Tanks	355	75
Petrol Tank Air Vent Connecting Tube ..	355	75
Petrol Tank Cradles	356	75
Petrol Tank Cradle Brackets	372	76

INDEX TO PARTS

Description	Page No.	Plate No.	Description	Page No.	Plate No.
P—(continued)			R—(continued)		
Petrol Tank Distance Pads	356	75	Radiator Grille Surround	387	78
Petrol Tank Element Unit	355 & 465	75 & 86	Radiator Hoses	347 & 348	73
Petrol Tank Element Unit Cover Plate	355	75	Radiator Overflow Pipe	348	73
Petrol Tank Element Unit Locking Ring	355 & 465	75 & 86	Radio Aperture Filler Panel	405	79
Petrol Tank Element Unit Seal	355 & 465	75 & 86	Radio Installation	515	—
Petrol Tank Filter	355	75	Radio Loudspeaker Grille	405	79
Petrol Tank Locating Pads	356	75	Radio Mounting Plate	406	79
Petrol Tank Recess Panels	372	76	Radio Panel	406	79
Picnic Tray	402	79	Rear Brake Calipers	255	56
Pistons (3-4 litre)	3	1	Rear Brake Caliper Adaptor Plate	257	56
Pistons (3-8 litre)	10	—	Rear Brake Caliper Bleed Screw	255	56
Piston Rings (3-4 litre)	3	1	Rear Brake Caliper Bridge Pipe	255	56
Piston Rings (3-8 litre)	10	—	Rear Brake Caliper and Piston Assembly	255	56
Plastic Plugs	384	77	Rear Brake Caliper Shims	256	56
Power-Assisted Steering Box	306-316	65-67	Rear Brake Cylinder Seal Kit	256	56
Power-Assisted Steering Box Adjustable Ball Race	306 & 315	65-67	Rear Brake Disc	258	56
Power-Assisted Steering Box Air Bleed Plug	306-315	65-67	Rear Brake Friction Pad Kit	255	56
Power-Assisted Steering Box Drop Arm	306-316	65-67	Rear Brake Friction Pad Stop Plate	255	56
Power-Assisted Steering Box Dust Seal	307-316	65-67	Rear Brake Friction Pad Support	255	56
Power-Assisted Steering Box End Plates	306-315	65-67	Rear Brake Piston and Cylinder Assembly	255 & 256	56
Power-Assisted Steering Box Feed Pipe	306-316	65-67	Rear Bumper Assembly	419	—
Power-Assisted Steering Box Inner Column and Nut	306-316	65-67	Rear Bumper Bar	419	81
Power-Assisted Steering Box 'O' Rings	306-316	65-67	Rear Bumper Brackets	419	81
Power-Assisted Steering Box Rocker-shaft	306-315	65-67	Rear Bumper Mounting Brackets (Underframe)	371 & 383	76 & 77
Power-Assisted Steering Box Roller Races	306-315	65-67	Rear Bumper Overriders	419	81
Power-Assisted Steering Box Seals Kit	308-316	—	Rear Bumper Override Beading	419	81
Power-Assisted Steering Box Shims	306-315	65-67	Rear Bumper Rubber Mountings	419	81
Power-Assisted Steering Box Studs	306-315	65-67	Rear Compartment Heater Controls	504 & 505	89
Power-Assisted Steering Box Top Cover	306-316	65-67	Rear Compartment Heater Hose	504 & 505	89
Power-Assisted Steering Box Top Cover Thrust Pad	311	66	Rear Cover (Cylinder Block)	1	1
Power-Assisted Steering Box Top Cover Thrust Screw	306	65	Rear Cover Oil Seal	1	1
Power-Assisted Steering Hoses	322-324	69	Rear Door Capping	405	79
Power-Assisted Steering Hose Banjo	324	69	Rear Door Casing	439	84
Power-Assisted Steering Oil Pump	319 & 320	68	Rear Door Check Arm	382	77
Power-Assisted Steering Oil Pump Coupling	454	—	Rear Door Check Arm Guide Spring	382	77
Power-Assisted Steering Oil Pump 'O' Rings	319 & 320	68	Rear Door Chrome Beads	422 & 423	82
Power-Assisted Steering Oil Pump Repair Kit	320	—	Rear Door Dovetail Plate	432	84
Power-Assisted Steering Oil Reservoir	322	69	Rear Door Draught Piping	436	—
Power-Assisted Steering Oil Reservoir Filter	322	69	Rear Door Facia	405	79
Power-Assisted Steering Oil Reservoir Mounting Plates	322	—	Rear Door (Fully Trimmed)	432	—
Power-Assisted Steering Oil Reservoir 'O' Rings	322	69	Rear Door Glass Regulator Channel	436	84
Propeller Shaft Assembly	184-192	—	Rear Door Glass Regulator Channel Seal	436	—
Propeller Shaft Flange Bolts	184-192	—	Rear Door Handle (Inside)	433	84
Propeller Shaft Flange Yokes	184-192	42-44	Rear Door Handle (Outside)	422 & 433	82 & 84
Propeller Shaft Journals	184-192	42-44	Rear Door Hinges	382	77
Propeller Shaft Sleeve Yoke	184-192	42-44	Rear Door Hinge Shims	382	77
Propeller Shaft Sleeve Yoke Gaiter	184-192	42-44	Rear Door Locks	432	84
			Rear Door Lock Links	433	84
			Rear Door Lock Striker	433	84
			Rear Door No-Draught Ventilator	438	84
			Rear Door Remote Control and Link Assembly	433 & 434	84
			Rear Door Safety Catch	434	84
			Rear Door Sealing Rubbers	436 & 437	84
			Rear Door Shell	382	77
			Rear Door Sill Rubber Seal	437	84
			Rear Door Sill Tread Plates	415	81
			Rear Door Weatherstrip	405	79
			Rear Door Window Frame	435	84
			Rear Door Window Frame Felts	436	84
			Rear Door Window Frame Glass	436	84
			Rear Door Window Frame Seal	436	84
			Rear Door Window Regulator	434	84
			Rear Door Window Regulator Handle	435	84
			Rear Door Window Regulator Handle Escutcheon	435	84
			Rear Engine Mountings	7 & 175	1 & 40
			Rear Engine Mounting Bracket (Automatic Transmission)	175	40
			Rear Engine Mounting Channel Support	7	1
			Rear Engine Mounting Channel Support Centre Bush	7	1
			Rear Engine Mounting Coil Spring	7 & 175	1 & 40
			Rear Engine Mounting Coil Spring Retainer	7 & 175	1 & 40
R					
Radiator Block	347	73			
Radiator Block Drain Tap	347	73			
Radiator Block Drain Tap Control Rod	347	73			
Radiator Block Mounting Pads	347	73			
Radiator Block Supports	367 & 368	76			
Radiator Brackets	367	—			
Radiator Filler Cap	347	73			
Radiator Grille Aperture Finisher	387	78			
Radiator Grille Assembly	386	78			
Radiator Grille Badge	387	78			
Radiator Grille Centre Vane	387	78			
Radiator Grille Closing Plate	377	77			
Radiator Grille Fixing Strip	387	78			

INDEX TO PARTS

Description	Page No.	Plate No.
<i>R—(continued)</i>		
Rear Engine Mounting Coil Spring Seat	7 & 175	1 & 40
Rear Flasher Lamp	469 & 470	87
Rear Flasher Lamp Bulb	469	—
Rear Flasher Lamp Lens	469 & 470	87
Rear Frame Brackets	371	76
Rear Hubs	241	54
Rear Hub Bearings	242	54
Rear Hub Bearing Spacers	242 & 243	54
Rear Hub Cap	242	—
Rear Hub Carrier	241	54
Rear Hub Carrier Fulcrum Shafts	241	54
Rear Hub Carrier Fulcrum Shaft Bearings	241	54
Rear Hub Carrier Fulcrum Shaft Seals	241	54
Rear Hub Carrier Grease Cap	241	54
Rear Hub Oil Seals	242 & 243	54
Rear Hub Oil Seal Seating Rings	242 & 243	54
Rear Hub Studs	241	—
Rear Hub Water Thrower	241	54
Rear Jacking Tubes	371	76
Rear Number Plate Illumination Lamp	471	87
Rear Number Plate Illumination Lamp Bulb	471	—
Rear Number Plate Panel Chrome Beading	418	81
Rear Number Plate Panel Grommet	418	81
Rear Quarter Trim Panels	414 & 415	81
Rear Seat Armrest	414	81
Rear Seat Cushion	414	81
Rear Seat Pan	370	—
Rear Seat Squab	414	81
Rear Seat Squab Support Panel	370	76
Rear Suspension Bump Stops	244	54
Rear Suspension Bump Stop Brackets	372	76
Rear Suspension Camber Shims	243	54
Rear Suspension Coil Springs	244	54
Rear Suspension Coil Spring Packing Ring	244	54
Rear Suspension Coil Spring Seats	244	54
Rear Suspension Cross Member	240	54
Rear Suspension Cross Member Bracing Plate	240	54
Rear Suspension Cross Member Rubber Mountings	240	54
Rear Suspension Shock Absorbers	244	54
Rear Suspension Shock Absorber Mounting Shaft	244	54
Rear Suspension Half-Shafts	243	54
Rear Suspension Half-Shaft Joint Covers	243	54
Rear Suspension Half-Shaft Journals	243	54
Rear Suspension Half-Shaft Yokes	243	54
Rear Suspension Inner Fulcrum Shafts	241	54
Rear Suspension Inner Fulcrum Shaft Bearings	241	54
Rear Suspension Inner Fulcrum Shaft Mountings	240	54
Rear Suspension Inner Fulcrum Shaft Sealing Rings	241	54
Rear Suspension Radius Arms	244	54
Rear Suspension Radius Arm Safety Straps	244	54
Rear Suspension Wishbones	240	54
Rear Wheel Arch	372	76
Rear Wings	283	77
Reflex Reflector	470	87
Regulator Channel (Front Doors)	427	83
Regulator Channel (Rear Doors)	436	84
Rev. Counter	464	86
Rev. Counter Generator	23	5
Rev. Counter Generator Adaptor	23	5
Rev. Counter Generator Driving Dog	23	5
Rev. Counter Generator 'O' Ring	23	5
Rev. Counter Generator Oil Seal	23	5
Reverse Lamp	471	87
Reverse Lamp Bulb	471	—
Reverse Lamp Housing	471	87

Description	Page No.	Plate No.
<i>R—(continued)</i>		
Reverse Lamp Lens	471	87
Reverse Lamp/Starter Cut-Out Switch (Automatic Transmission)	338	71
Reverse Lamp Switch (Gearbox)	96 & 103	21–28
Road Lights Switch	460	86
Road Lights Switch Escutcheon	460	86
Road Lights Switch Lever	460	86
Road Lights Switch Resistance	489 & 492	—
Road Wheels	246	—
Road Wheel Discs	247	—
Road Wheel Nave Plates	246	—
Road Wheel Rimblishers	247	—
Roof Panel	378	77
Roof Rear Trim Roll	412	81
Rubber Grommets	481	—
Rubber Plugs and Boots	481	—
S		
Screen Rail Capping	403	79
Screen Rail Capping Fixing Plates	403	79
Scuttle Chrome Beads	421	82
Scuttle Side Casing	393	78
Scuttle Ventilator Gauze	377 & 392	77 & 78
Scuttle Ventilator Lid	377	77
Scuttle Ventilator Lid Seal	392	78
Scuttle Ventilator Water Shroud	392	—
Sealing Plugs	384	77
Seat Belts	516	—
Sidelamps	468	87
Sidelamp Bezel	468	—
Sidelamp Bulb	468	—
Sidelamp Warning Light (Italy only)	465	—
Side Members	367	76
Side Member Closing Plates	367	76
Sill Intermediate Panel	370	76
Sill Panel (Inner)	369	—
Spare Wheel Clamp	416	81
Spare Wheel Clamp Tapped Boss	371	—
Spare Wheel Cover	384	77
Spare Wheel Well	371	76
Sparking Plugs	27	—
Sparking Plug Lead	27	—
Sparking Plug Lead Conduit	27	—
Sparking Plug Terminals	27	—
Speedometer	462 & 463	86
Speedometer (Automatic Transmission)	493	—
Speedometer (Overdrive Transmission)	487 & 488	—
Speedometer Driven Gear (Standard Transmission)	95	21
Speedometer Driving Gear (Standard Transmission)	98	22
Speedometer Flexible Cable	463	86
Speedometer Flexible Cable (Automatic Transmission)	493	—
Speedometer Flexible Cable (Overdrive Transmission)	488 & 489	—
Speedometer Trip Mileage Remote Control	463	86
Stabilising Link	6	1
Stabilising Link Bearing Brackets	7	1
Stabilising Link Bush	6	1
Stabilising Link Rubber Mounting	6	1
Stabilising Link Stepped Washers	6	1
Starter Motor	455	85
Starter Motor (Automatic Transmission)	491	—
Starter Motor Strap	455	85
Starter Motor Terminal Boot	455	—
Starter Solenoid	455	85
Starter Solenoid Bracket	455	85
Starter Solenoid Cover (Automatic Transmission)	491	—
Starter Solenoid Terminal Boot	455	—
Starter Switch	461	86
Starting Pipes	26	5
Steering Box	297–301	63 & 64

INDEX TO PARTS

Description	Page No.	Plate No.	Description	Page No.	Plate No.
S—(continued)			T—(continued)		
Steering Box Cover Plate	297 & 301	63 & 64	Trunk Lid Lock Mechanism Cover Plate	383	77
Steering Box End Plate	297 & 301	63 & 64	Trunk Lid Lock Release Mechanism	417	81
Steering Box End Plate Oil Seal	297 & 301	63 & 64	Trunk Lid Lock Striker	417	81
Steering Box Inner Column	297-301	63 & 64	Trunk Lid Rear Cover	417	—
Steering Box Main Nut	297-301	63 & 64	Trunk Lid Seal	418	81
Steering Box Rocker Shaft	297 & 301	63 & 64	Trunk Side Casing	417	81
Steering Column Aperture Cover Plate	363	—	Trunk Side Reinforcement Panel	372	76
Steering Column Cover Panels	393	78	Two-Pin Plug and Socket	477	87
Steering Column Lock and Ignition Switch	330 & 514	70			
Steering Column Lower Mounting Bracket	331	70	U		
Steering Column Screw Plate	330	70	Upper Steering Column	328-330	70
Steering Column Switch Covers	333 & 334	70	Upper Steering Column Bearings	328-330	70
Steering Drop Arm	297 & 301	63 & 64	Upper Steering Column Locknut	328 & 329	70
Steering Idler Assembly	237 & 238	53	Upper Steering Column Lower Mounting Bracket	331	70
Steering Tie Rods	234 & 235	53	Upper Steering Column Screw Plate	330	70
Steering Tie Rod Ball Joint Gaiters	234	—			
Steering Tie Rod Ends	234	53	V		
Steering Tie Rod Levers	233	53	Valves	21	5
Steering Tie Rod Pin and Bush	234	—	Valve Adjusting Pads	22	5
Steering Wheel	331	70	Valve Collars	22	5
Steering Wheel Shaft	329	70	Valve Cotters	22	5
Steering Wheel Split Cone	331	70	Valve Guides	21	5
Stop Light Switch	470	87	Valve Inserts	21	5
Stop/Tail/Flasher Lamps	469 & 470	87	Valve Springs	22	5
Stop/Tail Lens	469 & 470	87	Valve Tappets	22	5
Stop/Tail Lamp Bulb Holder	469	87	VoltageControl Unit (Instrument Panel)	459	86
Sun Visors	389	78			
Sun Visor Friction Pivot	389	78	W		
Switches	460 & 461	86	Water Outlet Elbow	27	5
Switch Indicator Strip	460	86	Water Outlet Pipe	26	5
Switch Indicator Strip Finisher	459	86	Water Pump	16	4
Switch Indicator Strip Light Filter	459	86	Water Pump Belt	16	4
Switch Indicator Strip Light Seal	459	86	Water Pump Impeller	16	4
			Water Pump Pulley	16	4
			Water Pump Seal	16	4
T			Water Pump Spindle	16	4
Tacking Strips	398 & 399	—	Water Temperature Gauge	462	86
Tail Panel	384	77	Water Temperature Gauge Element	462	86
Tappet Guide	21	5	Wheel Arch Trim Panels	415	81
Thermostat	26	5	Window Frame (Front Doors)	426 & 427	83
Throttle Lever (Intermediate)	40	7	Window Frame (Rear Doors)	435	84
Throttle Link (Intermediate)	40	7	Window Frame Felts (Front Doors)	427	83
Throttle Link Rod	40	7	Window Frame Felts (Rear Doors)	436	84
Throttle Link Trunion	40	7	Window Glass (Front Doors)	427	83
Throttle Return Spring	39	7	Window Glass (Rear Doors)	436	84
Throttle Return Spring Lever	37	7	Window Regulator (Front Doors)	426	83
Throttle Return Spring Anchor Bracket (Oil Cleaner)	39	7	Window Regulator (Rear Doors)	434	84
Throttle Stop Bracket	39	7	Window Regulator Handle (Front Doors)	426	83
Throttle Switch	175	40	Window Regulator Handle (Rear Doors)	435	84
Timing Chain Gear	2	1	Window Regulator Handle Escutcheon (Front Doors)	426	83
Timing Cover	1	1	Window Regulator Handle Escutcheon (Rear Doors)	435	84
Timing Gear Brackets	31	6	Window Weatherstrip	405	79
Tonneau Chrome Bead	422	82	Windscreen Cappings	403	79
Tonneau Panel	383	77	Windscreen Closing Panels	377	77
Tool Container Assembly	512	92	Windscreen Glass	390	78
Tool Fixings	416	81	Windscreen Glass Finishers	390	78
Tool Kit	512	92	Windscreen Glass Seal	390	78
Top Gear Switch (Overdrive)	113	25	Windscreen Glass Seal Insert	390	78
Top Timing Chain	32	6	Windscreen Header Panel	378	77
Top Timing Chain Dampers	32	6	Windscreen Header Trim Panel	411	81
Trunk Floor and Spare Wheel Well Assembly	371	—	Windscreen Rails	377	77
Trunk Floor Cross Member	371	76	Windscreen Washer	508 & 510	90 & 91
Trunk Floor Mat	415	81	Windscreen Washer Bracket	508 & 510	—
Trunk Floor Mat Fasteners	415	—	Windscreen Washer Cover Gasket	508 & 510	90 & 91
Trunk Floor Panels	371	76	Windscreen Washer Glass Reservoir	508 & 510	90 & 91
Trunk Lid Assembly	383	77	Windscreen Washer Jet Assembly	508 & 510	90 & 91
Trunk Lid Buffers	418	—	Windscreen Washer Motor	508 & 510	90 & 91
Trunk Lid Emblems	418 & 419	81	Windscreen Washer Moulded Cover	508 & 510	90 & 91
Trunk Lid Hinges	383	77			
Trunk Lid Hinge Attachment Bracket	384	77			
Trunk Lid Lock Assembly	417	81			
Trunk Lid Lock Control	417	81			

INDEX TO PARTS

Description	Page No.	Plate No.
<i>W—(continued)</i>		
Windscreen Washer Rubber Filler Cap ..	508 & 510	90 & 91
Windscreen Washer Switch	461	86
Windscreen Washer Tee Piece	508 & 510	90 & 91
Windscreen Washer Tube	508 & 510	90 & 91
Windscreen Wiper Arms	476	87
Windscreen Wiper Blades	476	87

Description	Page No.	Plate No.
<i>W—(continued)</i>		
Windscreen Wiper Motor	475	87
Windscreen Wiper Outer Casings	475	87
Windscreen Wiper Rack and Crosshead ..	475	—
Windscreen Wiper Switch	461	86
Windscreen Wiper Wheelboxes	475	87
Wing Mirror	514	—

3.4 LITRE CYLINDER BLOCK

Part No.	Description	Plate No.	No. per Unit	Remarks
C.22291	CYLINDER BLOCK ASSEMBLY		1	SUPERSEDED BY C.26449
C.26449	CYLINDER BLOCK ASSEMBLY	1-1	1	SUPERSEDES C.22291
C.17526	Guide Tube Assembly , for Dipstick (supplied loose with Cylinder Block)			
C.15867	Plug , sealing hole in Oil Filter flange		1	
C.317	Core Plug (Welch Washer) at right-hand side of Cylinder Block		1	
C.315	Core Plug (Welch Washer) at each side and at rear end of Cylinder Block	1-2	7	
C.5022	Plug (1" Briggs) on right-hand side of Cylinder Block, sealing aperture for heater element		1	
C.2352	Plug (½" A.N.F.) at right-hand side of Cylinder Block, sealing oil gallery apertures	1-3	5	
C.2296/3	Washer (Copper) on Plugs	1-4	5	
C.13479	Dowel (Small) between Bearing Caps and Cylinder Block		7	
C.19340	Dowel (Large) between Bearing Caps and Cylinder Block		7	
C.8614/1	Front Timing Cover	1-5	1	
C.2305	Plug (⅜" A.N.F.) in front end of oil gallery	1-6	1	
C.2157	Headed Plug (⅜" A.N.F.) in rear end of oil gallery	1-7	1	
C.2296/2	Washer (Copper) on Plug	1-8	1	
C.11530	Screwed Plug , at rear face of Cylinder Block		1	
C.11531	Washer (Copper) for Screwed Plug		1	
C.13479	Dowel , for location of Timing Cover on front of Cylinder Block	1-9	2	
C.13478	Dowel , for location of Clutch Housing on rear face of Cylinder Block		2	
C.2269	Stud (Plain) for fixing Cylinder Head to Block	1-10	13	10 Required at Engine No.7B.1890 and subs.
C.23609	Stud (Dowel) for fixing Cylinder Head and Engine Lifting Bracket to Cylinder Block	1-11	3	Fitted to Engine No. 7B.1890 and subs.
C.2270	Stud (Dowel) for fixing Cylinder Head to Block		1	Fitted from Engine No. 7B.1001 to 7B.1889
C.23610	Stud (Dowel) for fixing Cylinder Head and Engine Lifting Bracket to Cylinder Block	1-12	1	Fitted to Engine No. 7B.1890 and subs.
C.19687	Cover Assembly (complete with Asbestos Seal) on rear face of Cylinder Block	1-13	1	
C.19654	Oil Seal (Asbestos) inside Rear Cover	1-14	2	
C.2373	Ring Dowel , between Rear Cover and Cylinder Block	1-15	2	
C.19686	Cap Screw , Centre, securing Rear Cover to Cylinder Block	1-16	1	
C.19685	Cap Screw , Outer, securing Rear Cover to Cylinder Block	1-17	2	
C.2394	Ring Dowel , between Sealing Ring and Rear Cover		2	
C.2470	Cap Screw , securing Sealing Ring to Rear Cover		2	
C.5846	Union , connecting oil feed pipe to Cylinder Block	1-18	1	
C.4146	Washer (Copper) at each side of union		2	
C.2430	Sealing Ring , in Distributor aperture on Cylinder Block		1	
UFS.125/4R	Screw , Set, securing Distributor in Cylinder Block		1	
C.724	Washer , Shakeproof, on Setscrew		1	
FW.104/T	Washer , Plain, on Setscrew		1	
UFS.119/2R	Plug , in aperture for Distributor drive lubrication		1	
A.W.102/E	Washer (Copper) on Plug		1	
C.2262	Bolt , securing Bearing Caps		14	
C.28082	Washer , locking Bolts on Bearing Caps		12	
C.2461	LINER FOR CYLINDER BLOCK		6	FOR USE WHEN RECONDITIONING CYLINDER BLOCK
C.13457	FILTER GAUZE, IN CYLINDER BLOCK, BEHIND HYDRAULIC CHAIN TENSIONER	1-19	1	

3.4 LITRE CYLINDER BLOCK

Part No.	Description	Plate No.	No. per Unit	Remarks
C.31616	WATER DRAIN TAP FOR LEFT-HAND SIDE OF CYLINDER BLOCK	1--20	1	
C.2296/3	Washer (Copper) on Drain Tap	1--21	1	
C.316	Washer (Fibre) on Drain Tap	1--22	2	
C.18350/1	CRANKSHAFT	1--23	1	
C.4283	Screwed Plug, in Crankshaft Journals	1--24	6	
C.2226	Bush, in rear end of Crankshaft, for Gearbox Primary Shaft	1--25	1	
C.2316	Thrust Washer, for centre Bearing Cap (-091"/-093")	1--26	2	Oversize Thrust Washers to be used for service replacements if required
C.2316/1	Thrust Washer, for centre Bearing Cap (-095"/-097")	1--26	2	
C.30004	Main Bearing, on front, centre and rear journals of Crankshaft (standard size)	1--27	6 halves	
C.30029	Main Bearing, on intermediate journals of Crankshaft (standard size)	1--28	8 halves	
MAIN BEARINGS are obtainable in the following sizes:—				
--010" --020" --030" --040"				
When ordering, please quote Part No. and undersize required (e.g. C.30004/20 for .020" undersize).				
C.8241	CRANKSHAFT DAMPER ASSEMBLY	1--29	1	
C.2466	Cone, for centre of Hub	1--30	1	
C.2173	Distance Piece, on Crankshaft, behind Damper	1--31	1	
C.23701	Oil Thrower, behind Distance Piece	1--32	1	
C.2170	Sprocket, for Timing Chain	1--33	1	
C.2314	Gear, for Oil Pump Drive	1--34	1	
C.757	Key, locking Cone to Damper Hub and Crankshaft, and Sprocket and Gear to Crankshaft	1--35	4	
C.19517	PULLEY, ON CRANKSHAFT, FOR FAN BELT	1--36	1	
UFB.131/12V	Bolt, securing Pulley to Damper Hub	1--37	4	
C.725	Washer, Shakeproof, on Bolts	1--38	2	
C.5896	Bolt, securing Damper to Crankshaft	1--39	1	
C.2468	Washer, behind Bolt	1--40	1	
C.2467	Tab Washer, locking Bolt	1--41	1	
C.7917	CONNECTING ROD (LESS BIG END BEARINGS)	1--42	6	
C.17164	Bearing, Small End		6	Supersedes C.3944, C.2361 and L.103.5/8U
C.22236	Bolt, securing Caps to Connecting Rods		12	
C.28535	Nut, Self-Locking, on Bolts		12	
C.30003	Bearing, Big End (Standard Size)	1--43	12 halves	Supersedes C.18712, C.25400 and C.28637
BIG END BEARINGS are obtainable in the following undersizes:—				
--010" --020" --030" --040"				
When ordering, please quote Part No. and undersize required (e.g. C.30003/20 for .020" undersize)				

3.4 LITRE CYLINDER BLOCK

Part No.	Description	Plate No.	No. per Unit	Remarks
C.12114	FLYWHEEL		1	Fitted from Engine No. 7B.1001 to 7B.1049 3-4 litre 7B.50001 to 7B.50547 3-8 litre
C.14921	LIGHTENED FLYWHEEL		1	SUPPLIED TO SPECIAL ORDER ONLY FOR COMPETITION PURPOSES
C.2313	Dowel, in centre of Flywheel		2	Fitted from Engine No.
C.1782	Dowel, on outer face of Flywheel		2	7B.1001 to 7B.1049 3-4 litre
C.4855	Screw, Set, securing Flywheel to Crankshaft		10	7B.50001 to 7B.50547 3-8 litre
C.4810	Plate, locking Setscrews		1	
C.23328	FLYWHEEL	1-44	1	Fitted to Engine No. 7B.1050 and subs. 3-4 litre 7B.50548 and subs. 3-8 litre
C.23345	LIGHTENED FLYWHEEL	1-44	1	SUPPLIED TO SPECIAL ORDER ONLY FOR COMPETITION PURPOSES
C.2313	Dowel, in centre of Flywheel	1-45	2	Fitted to Engine No.
C.8631	Dowel, on outer face of Flywheel	1-46	3	7B.1050 and subs. 3-4 litre
C.4855	Screw, Set, securing Flywheel to Crankshaft	1-47	10	7B.50548 and subs. 3-8 litre
C.4810	Plate, locking Setscrew	1-48	1	
C.28993	PISTON, COMPLETE		6	7:1 COMPRESSION RATIO
C.28994	PISTON, COMPLETE	1-49	6	8:1 COMPRESSION RATIO
C.28995	PISTON, COMPLETE		6	9:1 COMPRESSION RATIO
C.21666	Pressure Ring, upper (chromium plated)	1-50	6	
C.11955	Pressure Ring, lower	1-51	6	
C.21664	Scraper Ring (Maxiflex)	1-52	6	
C.28967	Gudgeon Pin, retaining Piston on Connecting Rods	1-53	6	
C.3964	Circlip, securing Gudgeon Pins in Pistons	1-54	12	
<p>PISTONS AND RINGS are obtainable in the following oversizes:-</p> <p>+010" +020" +030"</p> <p>When ordering, please state Part No. and oversize required (e.g. C.28993/20 for +020" oversize)</p>				
C.24502	OIL SUMP	1-55	1	
C.19590	Gasket, between Oil Sump and Cylinder Block	1-56	2 halves	
C.24611/2	Seal, at front end of Oil Sump	1-57	1	
C.16315	Seal (Cork/Rubber) at rear end of Oil Sump	1-58	1	
C.23435	Drain Plug, for Oil Sump	1-59	1	
C.2296/1	Washer (Copper) on Drain Plug	1-60	1	
UFS.131/6R	Screw, Set, securing Oil Sump to Cylinder Block		23	
C.14170	Screw, Set, securing Oil Sump to Cylinder Block		1	
UFB.131/16R	Bolt, securing Oil Sump to Cylinder Block at rear		2	
C.725	Washer, Shakeproof, on Setscrews and Bolts		26	

3.4 LITRE CYLINDER BLOCK

Part No.	Description	Plate No.	No. per Unit	Remarks
C.25242	BAFFLE AND OIL STRAINER ASSEMBLY, INSIDE OIL SUMP	1-61	1	
UCS.131/5R C.725	Screw, Set, securing Baffle to Oil Sump Washer, Shakeproof, on Setscrews	1-62	4 4	
C.21622	PIPE ASSEMBLY, AT R.H. SIDE OF SUMP, FOR CONNECTION OF HOSE FROM OIL CLEANER	1-63	1	
C.19869	'O' Ring, between Pipe Flange and Sump	1-64	1	
C.16751	Stud, on Sump, for fixing Pipe	1-65	2	
UFN.131/L	Nut, securing Pipe to Sump		2	
FG.105/X	Washer, Spring, under Nuts		2	
C.19670	HOSE, FROM OIL SUMP TO OIL CLEANER	1-66	1	
C.2905/14	Clip, securing Hose	1-67	2	
C.22910/1	DIPSTICK ASSEMBLY FOR OIL SUMP	1-68	1	
C.17585	Washer (Felt) on Dipstick	1-69	1	
C.16758	IGNITION TIMING POINTER ON OIL SUMP	1-70	1	
UCS.125/4R FW.104/T C.724	Screw, Set, securing Timing Pointer to front of Oil Sump Washer, Plain, on Setscrews Washer, Shakeproof, on Setscrews		2 2 2	} Not required for cars fitted with an Oil Cooler
C.26451	Stud, securing Timing Pointer and Oil Cooler to front of Oil Sump		2	
UFN.225/L	Nut, on Studs		2	} Required for cars fitted with an Oil Cooler
C.23402	BRACKET ASSEMBLY FOR DYNAMO, LEFT-HAND FRONT ENGINE MOUNTING AND LEFT-HAND FRONT STABILISER		1	} Fitted from Chassis No. 1B.1001 to 1B.6405 1B.25001 to 1B.25821
UFB.143/6R C.727	Screw, Set, securing Bracket Assembly to Cylinder Block Washer, Shakeproof, on Setscrews		3 3	
UFS.131/8R C.8737/2	Screw, Set, securing Dynamo to Bracket Assembly Nut, Self-locking, on Setscrews		2 2	
C.23459	BRACKET ASSEMBLY FOR RIGHT-HAND FRONT ENGINE MOUNTING		1	Fitted from Chassis No. 1B.1001 to 1B.6405 1B.25001 to 1B.25821

3.4 LITRE CYLINDER BLOCK

Part No.	Description	Plate No.	No. per Unit	Remarks
C.23438	BRACKET ASSEMBLY FOR RIGHT-HAND FRONT STABILISER		1	Fitted from Chassis No. 1B.1001 to 1B.6405 1B.25001 to 1B.25821
UFS.143/6R	Screw, Set, securing Engine Mounting Bracket to Cylinder Block		2	
UFS.143/7R	Screw, Set, securing Engine Mounting Bracket and Stabiliser Bracket to Cylinder Block		1	
C.727	Washer, Shakeproof, on Setscrews		3	
UFS.137/6R	Screw, Set, securing Stabiliser Bracket to Engine Mounting Bracket		1	
UFN.137/L C.726	Nut, on Setscrew Washer, Shakeproof, under Nut		1 1	
C.21341	BRACKET ASSEMBLY FOR DYNAMO AND L.H. FRONT ENGINE MOUNTING	1-71	1	Fitted to Chassis No. 1B.6406 and subs. 1B.25822 and subs.
UFS.143/6R	Screw, Set, securing Bracket Assembly to Cylinder Block		3	
C.727	Washer, Shakeproof, on Setscrews		3	
UFS.131/8R	Screw, Set, securing Dynamo to Bracket Assembly		2	
C.8737/2	Nut, Self-locking, on Setscrews		2	
C.11481	BRACKET ASSEMBLY FOR R.H. FRONT ENGINE MOUNTING	1-72	1	Fitted to Chassis No. 1B.6406 and subs. 1B.25822 and subs.
UFS.143/6R	Screw, Set, securing Bracket Assembly to Cylinder Block		3	
C.727	Washer, Shakeproof, on Setscrews		3	
C.4794	FRONT ENGINE MOUNTING (RUBBER)	1-73	2	NOT REQUIRED FOR L.H. DRIVE CARS FITTED WITH POWER-ASSISTED STEERING (SEE NOTE REGARDING FRONT STABILISING LINKS) FOR L.H. DRIVE CARS FITTED WITH POWER-ASSISTED STEERING (SEE NOTE REGARDING FRONT STABILISING LINKS)
UFS.150/7R	Screw, Set, securing Engine to Rubber Mounting		2	
FW.108/T	Washer, Plain, on Setscrews		2	
FG.108/X	Washer, Spring, on Setscrews		2	
UFS.131/8R	Bolt, securing Rubber Mountings to Flange Support Brackets		4	
FG.105/X	Washer, Spring, on Bolts		4	
UFN.131/L	Nut, on Bolts		4	
UFS.131/9R	Screw, Set, securing Rubber Mountings to Flange Support Brackets		4	
UFN.131/L	Nut, on Setscrews		4	
FG.105/X C.11527/1	Washer, Spring, under Nuts Packing Piece, under Rubber Mountings		4 2	
C.11528	L.H. FLANGE SUPPORT BRACKET ASSEMBLY	1-74	1	
C.11529	R.H. FLANGE SUPPORT BRACKET ASSEMBLY	1-75	1	
UFS.131/6R	Screw, Set, securing Flange Support Brackets to Body		4	
UFB.131/30R	Bolt, securing Flange Support Brackets to Body		4	
UFN.131/L	Nut, on Setscrews and Bolts		8	
FG.105/X	Washer, Spring, under Nuts		8	

3.4 LITRE CYLINDER BLOCK

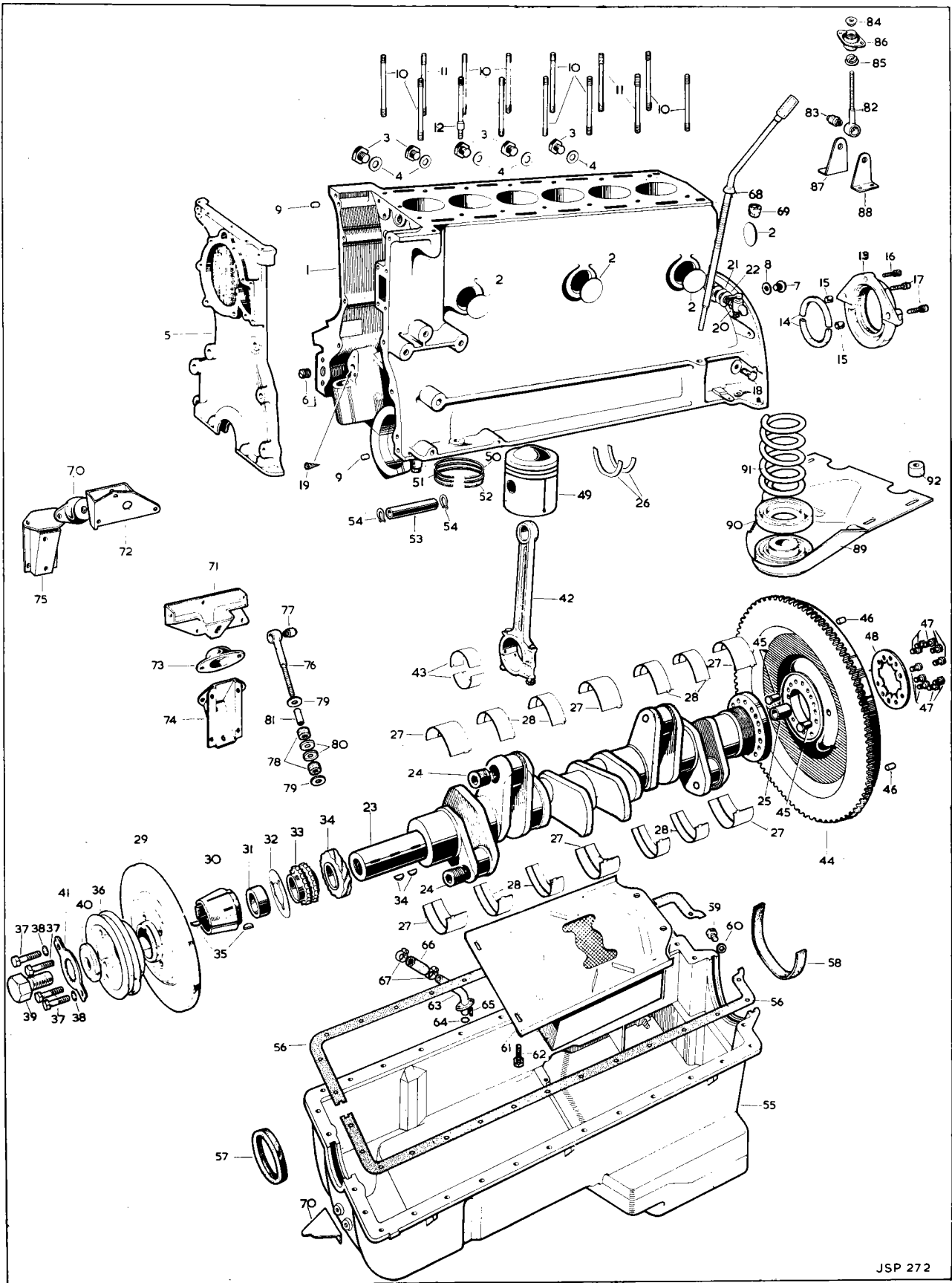
Part No.	Description	Plate No.	No. per Unit	Remarks
C.25150	STABILISING LINK AT FRONT OF CYLINDER BLOCK		2	NOT REQUIRED FOR L.H. DRIVE CARS FITTED WITH POWER-ASSISTED STEERING (SEE NOTE)
C.12890	STABILISING LINK AT FRONT OF CYLINDER BLOCK	1-76	2	FOR USE ONLY ON L.H. DRIVE CARS FITTED WITH POWER-ASSISTED STEERING (SEE NOTE)
C.10940	Bush , in Stabilising Links	1-77	2	NOT REQUIRED WHEN C.48 DYNAMO IS FITTED
UFB.143/24R	Bolt , securing Stabilising Link to Left-Hand Front Engine Mounting Bracket		1	
UFB.143/22R	Bolt , securing Stabilising Link to Right-Hand Front Stabiliser Bracket		1	2 REQUIRED WHEN C.48 DYNAMO IS FITTED
C.8667/4	Nut , Self-Locking on Bolts		2	
FW.207/T	Washer , Plain, under Nuts		2	
UFN.237/L	Locknut , for adjustment of Stabilising Links		4	
C.23559	Rubber Buffer , on Stabilising Links	1-78	4	
C.23499	Washer , Plain, on outer face of Rubber Buffers	1-79	4	
C.23500	Washer , Dished, on inner face of Rubber Buffers	1-80	4	
C.23501	Distance Tube , inside Rubber Buffers	1-81	2	
C.8737/3	Nut , Self-Locking, retaining Rubber Buffers to Stabilising Links		2	
<p>NOTE: FRONT STABILISING LINKS C.25150 AND C.12890, AND THEIR ASSOCIATED ITEMS, ARE NOT REQUIRED AT CHASSIS NOS.</p> <p>1B.6406 and subs. } 3-4 litre 1B.25822 and subs. } 1B.57094 and subs. } 3-8 litre 1B.79036 and subs. }</p>				
C.12890	STABILISING LINK AT REAR OF CYLINDER BLOCK	1-82	1	
C.10940	Bush , in Stabilising Link	1-83	1	
C.11607	Stepped Washer , on Stabilising Link, at top of Rubber Mounting	1-84	1	
C.11688	Stepped Bush , on Stabilising Link, at bottom of Rubber Mounting	1-85	1	
C.8667/3	Nut , Self-Locking, securing Stabilising Link to Rubber Mounting		1	
C.20218	RUBBER MOUNTING FOR STABILISING LINK AT TOP	1-86	1	
UFS.131/6R	Screw , Set, securing Rubber Mounting to Dash		2	
C.8667/2	Nut , Self-Locking on Setscrews		2	
C.12888	R.H. SUPPORT BRACKET, ON CLUTCH OR CONVERTER HOUSING, LOCATING STABILISING LINK		1	FOR ALL CARS FITTED WITH AUTOMATIC TRANSMISSION, ALSO REQUIRED FOR CARS FITTED WITH STANDARD OR OVERDRIVE TRANSMISSION. FROM CHASSIS NO. 1B.1002 to 1B.4481 } 3-4 litre 1B.25001 to 1B.25595 } 1B.50001 to 1B.54894 } 3-8 litre 1B.75001 to 1B.78069 }
C.12889	L.H. SUPPORT BRACKET, ON CLUTCH OR CONVERTER HOUSING, LOCATING STABILISING LINK		1	
UCS.131/6R	Screw , Set, securing Support Brackets to Housing		4	
C.725	Washer , Shakeproof, on Setscrews		4	

3.4 LITRE CYLINDER BLOCK

Part No.	Description	Plate No.	No. per Unit	Remarks
C.26143	R.H. SUPPORT BRACKET ASSEMBLY ON CLUTCH HOUSING, LOCATING STABILISING LINK	1-87	1	FOR CARS FITTED WITH STANDARD OR OVERDRIVE TRANSMISSION AT CHASSIS NO. 1B.4482 and subs. } 3-4 litre 1B.25596 and subs. } 1B.54895 and subs. } 3-8 litre 1B.78070 and subs. }
C.26144	L.H. SUPPORT BRACKET ASSEMBLY ON CLUTCH HOUSING, LOCATING STABILISING LINK	1-88	1	
UCS.131/7R C.725	Screw, Set, securing Support Brackets to Housing Washer, Shakeproof, on Setscrews		4 4	
UFB.143/14R C.8737/4	Bolt, securing Stabilising Link to Support Brackets Nut, Self-Locking, on Bolt		1 1	
C.22824	CHANNEL SUPPORT ASSEMBLY FOR REAR ENGINE MOUNTING		1	FOR CARS FITTED WITH STANDARD OR OVERDRIVE TRANSMISSION FROM CHASSIS NO. 1B.1001 to 1B.2191 } 3-4 litre 1B.25001 to 1B.25300 } 1B.50001 to 1B.52077 } 3-8 litre 1B.75001 to 1B.76309 }
C.22825	Channel Support only		1	
C.12335	Spring Seat (Rubber) cemented to inside of Channel Support		1	
C.12665	Centre Bush (Rubber)			
C.25943	BRACKET ASSEMBLY FOR REAR ENGINE MOUNTING	1-89	1	FOR CARS FITTED WITH STANDARD OR OVERDRIVE TRANSMISSION AT CHASSIS NO. 1B.2192 and subs. } 3-4 litre 1B.25301 and subs. } 1B.52078 and subs. } 3-8 litre 1B.76310 and subs. }
C.25944	Bracket only		1	
C.12335	Spring Seat (Rubber) cemented to inside of Bracket	1-90	1	
C.12665	Centre Bush (Rubber)		1	
C.12295	SPRING RETAINER ASSEMBLY FOR REAR ENGINE MOUNTING		1	
C.12298	COIL SPRING FOR REAR ENGINE MOUNTING	1-91	1	FOR CARS FITTED WITH STANDARD TRANSMISSION
C.19988	COIL SPRING FOR REAR ENGINE MOUNTING	1-91	1	FOR CARS FITTED WITH STANDARD TRANSMISSION AT CHASSIS NO. 1B.2768 and subs. } 3-4 litre 1B.25380 and subs. } 1B.52998 and subs. } 3-8 litre 1B.76908 and subs. }
C.12299	COIL SPRING FOR REAR ENGINE MOUNTING	1-91	1	FOR CARS FITTED WITH OVERDRIVE TRANSMISSION

3.4 LITRE CYLINDER BLOCK

Part No.	Description	Plate No.	No. per Unit	Remarks
C.19988	COIL SPRING FOR REAR ENGINE MOUNTING	1-91	1	FOR CARS FITTED WITH OVERDRIVE TRANSMISSION AT CHASSIS NO.
C.8919	Bolt, securing Spring Retainer to Gearbox		2	1B.2192 and subs. } 3-4 litre
FW.108/T	Washer, Plain, on Bolts		4	1B.25301 and subs. } 3-8 litre
C.8667/4	Nut, Self-Locking, on Bolts		2	1B.52078 and subs. } 3-8 litre
C.16145	Packing Block, between flange of Channel Support and underside of floor	1-92	4	
UFB.131/10R	Bolt, securing Channel Support to Body		4	
FW.105/T	Washer, Plain, under head of Bolts		4	
FG.105/X	Washer, Spring, between Plain Washer and head of Bolts		4	
C.12027	Spacer, under Packing Blocks		4	FOR CARS FITTED WITH STANDARD OR OVERDRIVE TRANSMISSION FITTED TO CHASSIS NO.
				1B.4482 and subs. } 3-4 litre
				1B.25596 and subs. } 3-8 litre
				1B.54895 and subs. } 3-8 litre
				1B.78070 and subs. }
10335	GASKETS PACKAGE FOR COMPLETE ENGINE OVERHAUL (SD. 1134)		1	



JSP 272

PLATE 1

3.8 LITRE CYLINDER BLOCK

Part No.	Description	Plate No.	No. per Unit	Remarks
C.26448	CYLINDER BLOCK ASSEMBLY		1	
C.17526	Guide Tube Assembly , for Dipstick (supplied loose with Cylinder Block)		1	
C.16862	Expansion Plug		1	
C.15867	Plug , sealing hole in Oil Filter flange		1	
C.317	Core Plug (Welch Washer) at R.H. side of Cylinder Block		1	
C.315	Core Plug (Welch Washer) at each side of Cylinder Block		6	
C.5022	Plug (1" Briggs) on R.H. side of Cylinder Block, sealing aperture for Heater Element		1	
C.2352	Plug (½" A.N.F.) at R.H. side of Cylinder Block, sealing Oil Gallery apertures		6	
C.2296/3	Washer (Copper) on Plugs		6	
C.13479	Dowel (small) between Bearing Caps and Cylinder Block		7	
C.19340	Dowel (large) between Bearing Caps and Cylinder Block		7	
C.8614/1	Front Timing Cover		1	
UFS.131/3R	Screw , Set, blanking Water Jet holes in Cylinder Block		4	
FW.105/E	Washer (Copper) on Setscrews		4	
C.13791	LINER FOR CYLINDER BORES		6	
C.23508/1	PISTON COMPLETE		6	7:1 COMPRESSION RATIO Fitted from Engine No. 7B.50001 to 7B.64837 MAY BE REPLACED BY C.26637 IN COMPLETE SETS
C.23509/1	PISTON COMPLETE		6	8:1 COMPRESSION RATIO
C.23510/1	PISTON COMPLETE		6	9:1 COMPRESSION RATIO
C.20846	Pressure Ring , Upper		6	
C.13797	Pressure Ring , Lower		6	
C.24155	Scraper Ring (Maxiflex)		6	
C.13827	Gudgeon Pin , retaining Pistons on Connecting Rods		6	
C.3964	Clip , securing Gudgeon Pins in Pistons		12	

Pistons and Rings are obtainable in the following oversizes:—

+010" +020" +030"

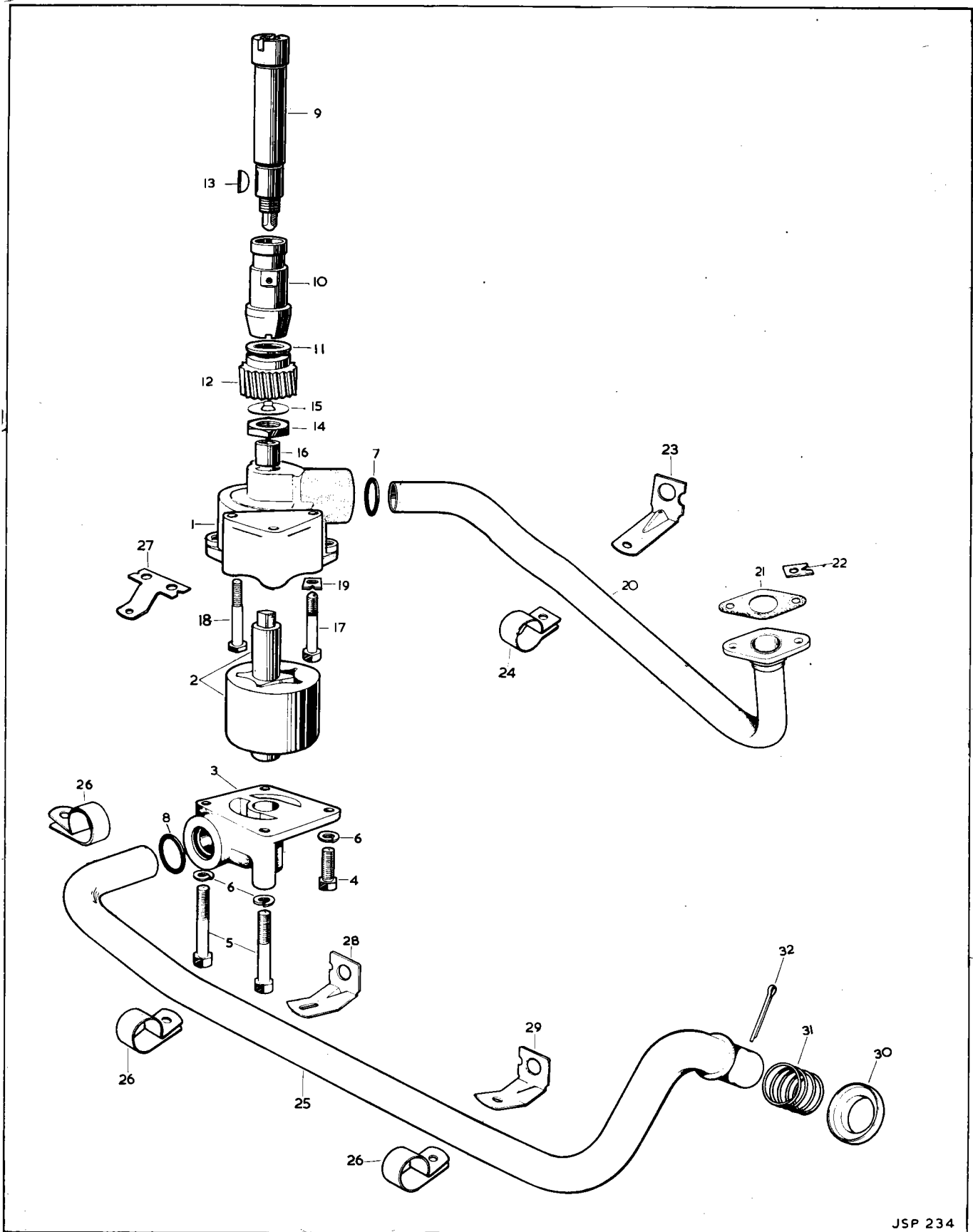
When ordering please state Part No. and oversize required (e.g. C.23508/1/20 for +020" oversize)

3.8 LITRE CYLINDER BLOCK

Part No.	Description	Plate No.	No. per Unit	Remarks
C.26637	PISTON COMPLETE		6	8:1 COMPRESSION RATIO Fitted to Engine No. 7B.64838 and subs. INTERCHANGEABLE WITH PISTON C.23508/1 ONLY, IN COMPLETE SETS
C.26641	Pressure Ring, Upper		6	
C.26642	Pressure Ring, Lower		6	
C.26643	Scraper Ring		6	
C.26629	Gudgeon Pin, retaining Pistons to Connecting Rods		6	
C.3964	Circlip, securing Gudgeon Pins in Pistons		12	
	PISTONS AND RINGS are obtainable in the following oversizes: +-010" +-020" +-030"			
	When ordering, please quote Part No. and oversize required (e.g. C.23508/1/20 for -020" oversize)			
C.23458	BRACKET ASSEMBLY FOR DYNAMO AND LEFT-HAND FRONT ENGINE MOUNTING		1	REQUIRED WHEN C.48 DYNAMO IS FITTED Fitted from Chassis No. 1B.50001 to 1B.57093 1B.75001 to 1B.79035
C.23439	BRACKET ASSEMBLY FOR LEFT-HAND FRONT STABILISER		1	
UFS.143/6R	Screw, Set, securing Engine Mounting Bracket to Cylinder Block		2	
UFS.143/7R	Screw, Set, securing Engine Mounting Bracket and Stabiliser Bracket to Cylinder Block		1	
C.727	Washer, Shakeproof, on Setscrews		3	
UFS.131/8R	Screw, securing Dynamo to Bracket Assembly		2	
C.8737/2	Nut, Self-Locking, on Setscrews		2	
UFS.137/6R	Screw, Set, securing Stabiliser Bracket to Engine Mounting Bracket		1	
UFN.137/L	Nut, on Setscrew		1	
C.726	Washer, Shakeproof, under Nut		1	
C.23402	BRACKET ASSEMBLY FOR DYNAMO, L.H. FRONT ENGINE MOUNTING AND L.H. FRONT STABILISERS		1	NOT USED WHEN C.48 DYNAMO IS FITTED Fitted from Chassis No. 1B.50001 to 1B.57093 1B.75001 to 1B.79035
UFS.143/6R	Screw, Set, securing Engine Mounting Bracket to Cylinder Block		3	
C.727	Washer, Shakeproof on Setscrews		3	
UFS.131/8R	Screw, Set, securing Dynamo to Bracket		2	
C.8737/2	Nut, Self-Locking, on Setscrews		2	
10337	GASKETS PACKAGE FOR COMPLETE ENGINE OVERHAUL (SD. 1136)		1	FOR ALL OTHER ITEMS IN CONNECTION WITH CYLINDER BLOCK, PLEASE REFER TO 3-4 LITRE CYLINDER BLOCK SECTION

OIL PUMP

Part No.	Description	Plate No.	No. per Unit	Remarks
C.21765	OIL PUMP COMPLETE (H.E. 6016)		1	
C.17656	Body only (H.E.4708)	2-1	1	SUPPLIED ONLY AS A COMPLETE ASSEMBLY
C.17664	Rotor Assembly (H.E.4723) (comprising Inner Rotor, Outer Rotor, Driving Shaft and Locking Pin)	2-2	1	
C.21759	Cover, at bottom of Pump	2-3	1	
UCS.131/8R	Screw, Set, securing Cover	2-4	2	
UCB.131/14R	Bolt, securing Cover	2-5	2	
FG.105/X	Washer, Spring, on Setscrews and Bolts	2-6	4	
C.21848	'O' Ring, in Oil Pump Cover	2-7	1	
C.8649	'O' Ring, in Oil Pump Body	2-8	1	
C.8646	Drive Shaft, between Distributor and Coupling Shaft	2-9	1	
C.8647	Bush, on Drive Shaft	2-10	1	
C.2393	Washer, on Drive Shaft (at bottom of Bush)	2-11	1	
C.2152	Helical Gear, driving Oil Pump and Distributor	2-12	1	
C.753	Key, locking Helical Gear on Drive Shaft	2-13	1	
UFN.256/L	Nut, at bottom of Drive Shaft	2-14	1	
C.2151	Special Washer, locking Nut	2-15	1	
C.8648	Shaft, Coupling, Driving Gear in Pump and Drive Shaft for Distributor	2-16	1	
C.9294	Dowel Bolt, securing Oil Pump to Bearing Cap	2-17	2	
UFB.131/18R	Bolt, securing Oil Pump to Front Bearing Cap	2-18	1	
C.7263	Tab Washer, on Bolts	2-19	3	
C.21846	OIL DELIVERY PIPE FROM PUMP TO CYLINDER BLOCK	2-20	1	
C.2220	Gasket, between flange of Delivery Pipe and Cylinder Block	2-21	1	
UFB.131/6R	Bolt, securing Delivery Pipe to Cylinder Block		2	} Fitted to Engine No. 7B.1329 and subs. 3-4 litre 7B.51026 and subs. 3-8 litre
C.7263	Tab Washer, locking Bolts	2-22	2	
C.28369	Strut, on Bearing Cap, supporting Oil Delivery Pipe	2-23	1	
C.6824	Clip, securing Delivery Pipe to Strut	2-24	1	
UFS.125/5R	Screw, Set, securing Clip to Strut		1	
C.3968/1	Nut, Self-Locking, on Setscrew		1	
FW.104/T	Washer, Plain, under Self-Locking Nut		1	
C.21762	OIL SUCTION PIPE FROM OIL SUMP TO PUMP	2-25	1	
C.21794	Clip, securing Suction Pipe to Struts	2-26	3	
C.21793	Strut, on Pump, supporting Suction Pipe	2-27	1	
C.28368	Strut, on Intermediate Bearing Cap, supporting Suction Pipe	2-28	1	
C.28367	Strut, on Rear Bearing Cap, supporting Suction Pipe	2-29	1	
UFS.125/5R	Screw, Set, securing Clips to Struts		2	
FW.104/T	Washer, Plain, on Setscrews		2	
C.3968/1	Nut, Self-Locking, on Setscrews		2	
C.21745	Plate, sealing bottom of Suction Pipe	2-30	1	
C.21744	Spring, behind Plate	2-31	1	
C.1221/4	Split Pin, retaining Plate and Spring on Suction Pipe	2-32	1	



JSP 234

OIL CLEANER

Part No.	Description	Plate No.	No. per Unit	Remarks
C.23066	OIL CLEANER COMPLETE (FA. 2122)	3-1	1	
7984	Canister Assembly (125429)	3-2	1	
6159	Spring, at bottom of Canister (160441)	3-3	1	
6160	Washer, Plain, at top of Spring (174660)	3-4	1	
6161	Washer, Felt, under Pressure Plate (141251)	3-5	1	
6886	Pressure Plate (134477)	3-6	1	
7987	Bolt, through Canister (46357)	3-7	1	
6158	Washer (Rubber) under Head of Bolt (137574)	3-8	1	
6163	Spring Clip, on Bolt (174966)	3-9	1	
11028	Element (FP.3313)	3-10	1	
9348	Anchor Insert (105360)	3-11	1	
9667	Clamping Plate, on Filter Head (134061)	3-12	1	
6883	Sealing Ring, between Filter Head and Canister (137493)	3-13	1	
10160	Filter Head (41097)	3-14	1	
9664	Balance Valve Assembly, in Filter Head (50016)	3-15	1	
9665	Seal, under Head of Valve (137664)	3-16	1	
2714	Relief Valve (118261)	3-17	1	
8105	Spring, for Relief Valve (160698)	3-18	1	
8106	Spider and Pin Assembly, under Spring (44128)	3-19	1	
9663	Adaptor, retaining Relief Valve and for connection of Hose to Oil Sump (105544)	3-20	1	
9662	Seal, under Adaptor (137665)	3-21	1	
C.20532	Gasket, between Cylinder Block and Oil Cleaner	3-22	1	
UFB.131/10R	Bolt, securing Oil Cleaner to Cylinder Block		1	
UFB.131/15R	Bolt, securing Oil Cleaner to Cylinder Block		3	
UFB.131/16R	Bolt, securing Oil Cleaner to Cylinder Block		1	
FW.105/E	Washer (Copper) on Bolts		4	
C.18065	Bracket, on Oil Cleaner Bolt, anchoring Throttle Return Spring	3-23	1	See also Accelerator Controls
C.19670	HOSE, BETWEEN OIL CLEANER AND SUMP	3-24	1	See also Cylinder Block
C.2905/2	Clip, securing Hose	3-25	2	

WATER PUMP

Part No.	Description	Plate No.	No. per Unit	Remarks
C.15694	WATER PUMP, COMPLETE		1	
C.14944	Body only	4-1	1	
C.8167	Spindle, complete with Bearing	4-2	1	
C.23128	Screw (Allen head) retaining Bearing in Pump Body	4-3	1	
UFN.225/L	Nut, locking Screw	4-4	1	
C.8256	Thrower, on long end of spindle, adjacent to Bearing	4-5	1	
C.6773	Seal, on long end of spindle, adjacent to Thrower	4-6	1	
C.22798	Impeller	4-7	1	
C.17654	Carrier, for Pulley, on short end of spindle	4-8	1	
C.2303	Gasket, between Water Pump and Cylinder Block	4-9	1	
C.799	Plug, sealing aperture in Water Pump Body for redundant Heater return		1	
C.2296/1	Copper Washer, on Plug		1	
C.20176	PULLEY FOR FAN	4-10	1	
UFS.131/7R	Screw, Set, securing Pulley and Fan to Carrier	4-11	4	
C.740	Washer, Shakeproof, on Setscrews	4-12	4	
C.12391	FAN FOR WATER PUMP	4-13	1	
C.5121	Balance Piece, for Fan	4-14	As req'd	
C.19525	BELT, DRIVING FAN	4-15	1	
C.7548	BY-PASS WATER HOSE	4-16	1	
C.2905/12	Clip, securing By-Pass Hose	4-17	2	
THE ITEMS LISTED BELOW ARE THE HEATER CONNECTIONS FROM THE WATER PUMP TO THE HEATER UNIT				
C.17421	ADAPTOR, IN WATER PUMP, FOR HEATER RETURN	4-18	1	
C.2296/1	Copper Washer, on Adaptor	4-19	1	
C.14999/2	HOSE, BETWEEN ADAPTOR ON WATER PUMP AND FRONT RETURN PIPE	4-20	1	
C.2905/14	Clip, securing Hose to Adaptor and Front Return Pipe	4-21	2	

WATER PUMP

Part No.	Description	Plate No.	No. per Unit	Remarks
C.22656	FRONT RETURN PIPE ALONG SIDE OF CYLINDER BLOCK	4-22	1	
C.22653	Hanger Bracket, fixing Heater and Servo Pipes	4-23	1	} See also Cylinder Head
C.15729	Clamp, securing Pipes to Hanger Brackets	4-24	1	
UFS.119/8R	Screw, Set, through Clamps		1	
UFN.119/L	Nut, on Setscrews		1	
C.723/A	Washer, Shakeproof, under Nuts		1	
C.22654	Clip, Short, for Heater Return Pipe	4-25	1	
UFS.119/4R	Screw, Set, securing Clip		1	
UFN.119/L	Nut, on Setscrew		1	
C.723/A	Washer, Shakeproof, under Nut		1	
C.14999/7	HOSE, BETWEEN FRONT AND REAR RETURN PIPES	4-26	1	
C.2905/2	Clip, securing Hose to Return Pipes	4-27	2	
C.22582	REAR RETURN PIPE AT REAR OF CYLINDER BLOCK	4-28	1	
C.16655	ELBOW HOSE BETWEEN REAR RETURN PIPE AND HEATER	4-29	1	
C.2905/2	Clip, securing Hose to Pipe	4-30	1	
C.2905/1	Clip, securing Hose to Heater	4-31	1	
C.17421	ADAPTOR, IN INLET MANIFOLD, FOR WATER FEED TO HEATER UNIT	4-32	1	
C.2296/1	Copper Washer, on Adaptor	4-33	1	
C.14999/1	HOSE, BETWEEN ADAPTOR AND FEED PIPE	4-34	1	
C.2905/14	Clip, securing Hose to Adaptor	4-35	2	
C.22677	FEED PIPE, ALONG SCUTTLE, TO WATER VALVE	4-36	1	
C.14999/2	HOSE, CONNECTING FEED PIPE TO WATER VALVE	4-37	1	
C.2905/2	Clip, securing Hose to Feed Pipe and Valve	4-38	2	

3.4 LITRE CYLINDER HEAD

Part No.	Description	Plate No.	No. per Unit	Remarks
C.19704	VALVE (VACUUM OPERATED) CONTROLLING WATER SUPPLY TO HEATER	4-39	1	
C.8737/2	Nut, Self-Locking, securing Water Valve to Mounting Bracket		1	
FW.105/T	Washer, Plain, under Nut		1	
C.14999/6	HOSE, CONNECTING WATER VALVE TO HEATER PIPE	4-40	1	
C.2905/2	Clip, securing Hose to Valve and Pipe	4-41	2	
C.22695	HEATER PIPE BETWEEN WATER VALVE AND HEATER	4-42	1	
C.16655	ELBOW HOSE, CONNECTING HEATER PIPE TO HEATER	4-43	1	
C.2905/2	Clip, securing Elbow to Heater Pipe	4-44	1	
C.2905/1	Clip, securing Elbow to Heater	4-45	1	

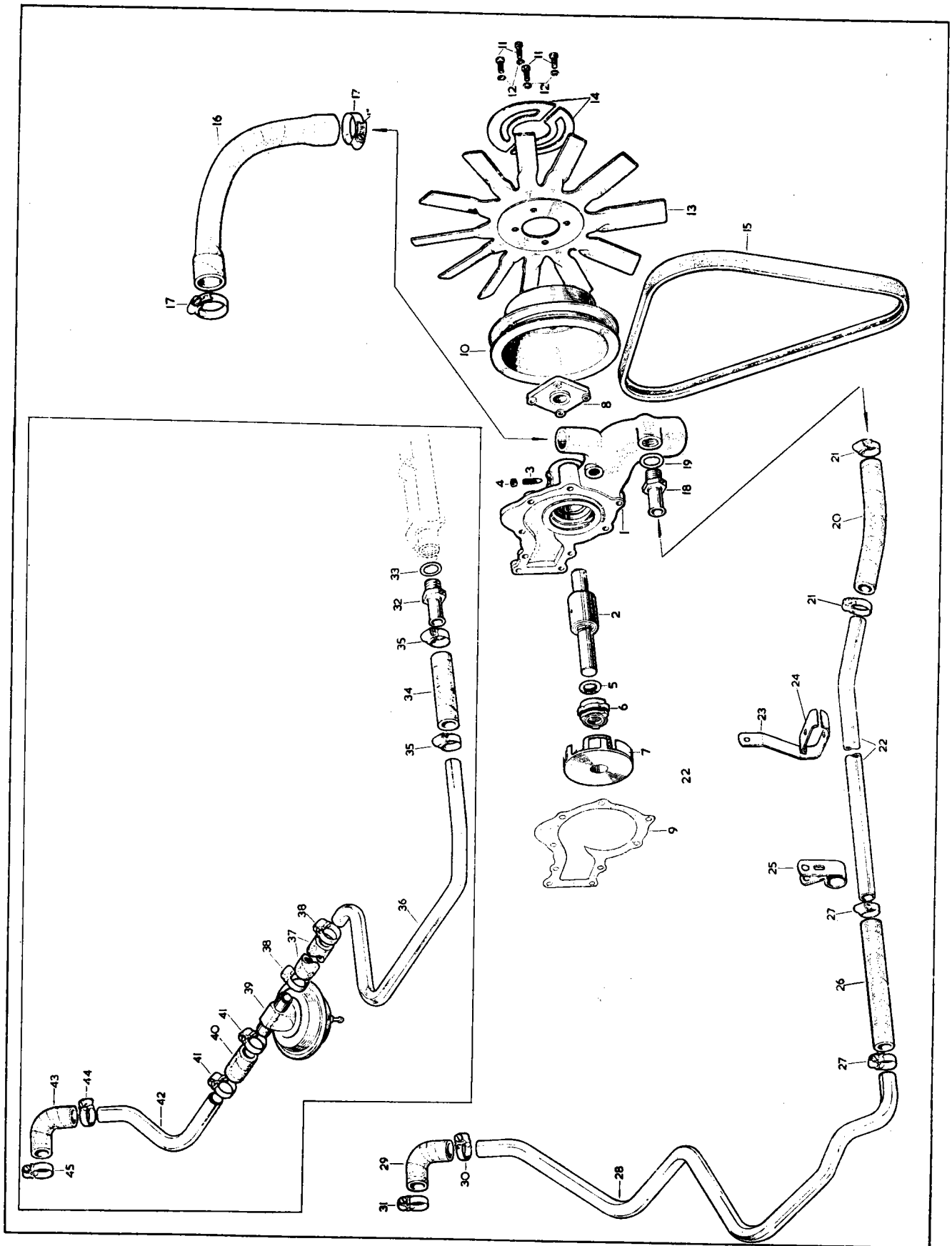


PLATE 4

3.4 LITRE CYLINDER HEAD

Part No.	Description	Plate No.	No. per Unit	Remarks
10332	CYLINDER HEAD ASSEMBLY, COMPLETE (SD. 1131) (Comprising: Cylinder Head, Valves, Valve Inserts, Guides, Springs, Tappets, Tappet Guides, Adjusting Pads, Camshafts, Camshaft Covers, Filler Cap, Rev. Counter Generator, Breather Cover, etc.)		1	
C.26201	CYLINDER HEAD ASSEMBLY	5-1	1	
C.2326	Stud, in Cylinder Head, for fixing of Camshaft Bearing Caps and Covers	5-2	16	
C.2373	Ring Dowel, on Studs	5-3	16	
FW.105/T	Washer, special, on Studs	5-4	16	
UFN.131/L	Nut, securing Bearing Caps		16	
FG.105/X	Washer, Spring, under Nuts		16	
C.2157	Core Plug (Headed) on top of Cylinder Head	5-5	3	
C.2296/2	Copper Washer, under Headed Core Plug	5-6	3	
C.26198	Guide, for Inlet Valve	5-7	6	} FIRST OVERSIZE
C.26195	Guide, for Exhaust Valve		6	
C.26198/1	Guide, for Inlet Valve		6	} SECOND OVERSIZE
C.26195/1	Guide, for Exhaust Valve		6	
C.26199	Circlip, locating Valve Guides		12	
C.12507	Insert, for Inlet Valve	5-8	6	
C.9865	Insert, for Exhaust Valve		6	
C.7262	Guide, for Tappets	5-9	12	
C.19112	Gasket, between Cylinder Head and Cylinder Block	5-10	1	
C.2189	Stud (Short) fixing Cylinder Head to Timing Cover and Cylinder Block	5-11	4	
UFN.131/L	Nut, on Studs		4	
FW.105/E	Copper Washer, under Nuts		4	
C.2325	Stud, in Cylinder Head, fixing Exhaust Manifolds	5-12	14	
C.7624	Stud, in Cylinder Head, fixing Exhaust Manifolds and Dipstick Retaining Bracket	5-13	2	
C.19706	Distance Piece, on Studs, for Dipstick Retaining Bracket	5-14	2	
UFN.131/Q	Nut (Bronze) for Exhaust Manifold Studs		16	
FG.105/X	Washer, Spring, under Nuts		16	
C.11761	Stud, in Cylinder Head, fixing Inlet Manifold	5-15	18	
UFN.131/L	Nut, on Inlet Manifold Studs		18	
FG.105/X	Washer, Spring, under Nuts		18	
C.6727/2	Stud, in front end of Cylinder Head, fixing Camshaft Covers	5-16	6	
C.6727	Stud, in front face of Cylinder Head, fixing Breather Housing	5-17	4	
C.317	Core Plug, for Exhaust face of Cylinder Head		2	
C.2328	Dome Nut, securing Cylinder Head to Cylinder Block		14	
C.23607	Engine Lifting Bracket		2	
C.10301	Washer, Special, under Dome Nuts		5	Fitted to Engine No. 7B.1890 and subs. 1, Required at Engine No. 7B.1890 and subs. 8, Required at Engine No. 7B.1890 and subs.
FW.207/T	Washer, Bevelled, under Cylinder Head Dome Nuts		7	
8000	GASKETS PACKAGE FOR DECARBONISING ENGINE (SD.1081)		1	
C.12444	INLET VALVE	5-18	6	
C.21942	EXHAUST VALVE	5-19	6	

3.4 LITRE CYLINDER HEAD

Part No.	Description	Plate No.	No. per Unit	Remarks
C.7137	VALVE SPRING, INNER	5-20	12	
C.7136	VALVE SPRING, OUTER	5-21	12	
C.2181	Seat, for Valve Springs	5-22	12	
C.2159	Collar, at top of Valve Stems	5-23	12	
C.430	Cotter, retaining Collar to Valve Stems	5-24	24	
C.7213	TAPPET	5-25	12	
	VALVE ADJUSTING PADS			
C.2243/A	Adjusting Pad (.085" thick)	5-26	12	} SELECTIVE SIZES
C.2243/B	Adjusting Pad (.086" thick)	5-26	12	
C.2243/C	Adjusting Pad (.087" thick)	5-26	12	
C.2243/D	Adjusting Pad (.088" thick)	5-26	12	
C.2243/E	Adjusting Pad (.089" thick)	5-26	12	
C.2243/F	Adjusting Pad (.090" thick)	5-26	12	
C.2243/G	Adjusting Pad (.091" thick)	5-26	12	
C.2243/H	Adjusting Pad (.092" thick)	5-26	12	
C.2243/I	Adjusting Pad (.093" thick)	5-26	12	
C.2243/J	Adjusting Pad (.094" thick)	5-26	12	
C.2243/K	Adjusting Pad (.095" thick)	5-26	12	
C.2243/L	Adjusting Pad (.096" thick)	5-26	12	
C.2243/M	Adjusting Pad (.097" thick)	5-26	12	
C.2243/N	Adjusting Pad (.098" thick)	5-26	12	
C.2243/O	Adjusting Pad (.099" thick)	5-26	12	
C.2243/P	Adjusting Pad (.100" thick)	5-26	12	
C.2243/Q	Adjusting Pad (.101" thick)	5-26	12	
C.2243/R	Adjusting Pad (.102" thick)	5-26	12	
C.2243/S	Adjusting Pad (.103" thick)	5-26	12	
C.2243/T	Adjusting Pad (.104" thick)	5-26	12	
C.2243/U	Adjusting Pad (.105" thick)	5-26	12	
C.2243/V	Adjusting Pad (.106" thick)	5-26	12	
C.2243/W	Adjusting Pad (.107" thick)	5-26	12	
C.2243/X	Adjusting Pad (.108" thick)	5-26	12	
C.2243/Y	Adjusting Pad (.109" thick)	5-26	12	
C.2243/Z	Adjusting Pad (.110" thick)	5-26	12	
C.14985	INLET CAMSHAFT	5-27	1	
C.13081	EXHAUST CAMSHAFT	5-28	1	
C.2288	Bearing, for Camshafts	5-29	16 halves	
C.2324	OIL THROWER AT REAR END OF EXHAUST CAMSHAFT	5-30	1	
UFS.137/4R	Screw, Set, securing Oil Thrower to Exhaust Camshaft	5-31	1	
FW.106/E	Copper Washer, on Setscrew	5-32	1	
C.19044	Sealing Ring, at rear end of Exhaust Camshaft, between Camshaft Cover and Cylinder Head	5-33	1	

3.4 LITRE CYLINDER HEAD

Part No.	Description	Plate No.	No. per Unit	Remarks
C.19043	FLANGED SEALING PLUG AT LEFT-HAND REAR OF CYLINDER HEAD	5-34	1	
C.19044 UCS.125/5R FW.104/E	'O' Ring, on Flanged Sealing Plug Screw, Set, securing Flanged Plug to Cylinder Head Copper Washer, on Setscrews		1 2 2	
C.14991	SEAL BETWEEN REAR BEARING CAP AND INLET CAMSHAFT COVER	5-35	1	
C.16771	ADAPTOR, AT END OF INLET CAMSHAFT, FOR ELECTRIC REV. COUNTER DRIVING DOG	5-36	1	
C.25426	DRIVING DOG, COUPLING ADAPTOR TO GENERATOR	5-37	1	
C.16773	Circlip, securing Driving Dog to Adaptor	5-38	1	
C.14996	REV. COUNTER GENERATOR ON INLET CAMSHAFT	5-39	1	See also Electrical Equipment
C.14990	'O' Ring, on Generator	5-40	1	
C.14992	Screw (Allen Head) securing Generator to Cylinder Head	5-41	3	
C.15918	Plate Washer, on Screws	5-42	1	
C.15919	Lock Washer, on Screws	5-43	3	
C.14987	COVER FOR INLET CAMSHAFT		1	Fitted from Engine No. 7B.1001 to 7B.3940 3-4 litre 7B.50001 to 7B.56328 3-8 litre
C.27497	COVER FOR INLET CAMSHAFT	5-44	1	Fitted to Engine No. 7B.3941 and subs. 3-4 litre
C.14988/1	Gasket, between Inlet Camshaft Cover and Cylinder Head	5-45	1	7B.56329 and subs. 3-8 litre
C.25469	COVER FOR EXHAUST CAMSHAFT		1	Fitted from Engine No. 7B.1001 to 7B.10549 3-4 litre 7B.50001 to 7B.65064 3-8 litre
C.27277	COVER FOR EXHAUST CAMSHAFT	5-46	1	Fitted to Engine No. 7B.10550 and subs. 3-4 litre
C.6735/1	Gasket, between Exhaust Camshaft Cover and Cylinder Head	5-47	1	7B.65065 and subs. 3-8 litre
C.2327 FW.104/E	Dome Nut, securing Camshaft Covers to Cylinder Head Copper Washer, under Dome Nuts	5-48 5-49	22 22	

3.4 LITRE CYLINDER HEAD

Part No.	Description	Plate No.	No. per Unit	Remarks
C.1022	OIL FILLER CAP ON LEFT-HAND CAMSHAFT COVER		1	Fitted from Engine No. 7B.1001 to 7B.10836 3-4 litre 7B.50001 to 7B.65121 3-8 litre
C.419	Fibre Washer, on Filler Cap		1	Fitted from Engine No. 7B.1001 to 7B.3940 3-4 litre 7B.50001 to 7B.56328 3-8 litre
C.25480	'O' Ring, on Filler Cap	5-51	1	Fitted to Engine No. 7B.3941 and subs. 3-4 litre 7B.56329 and subs. 3-8 litre
C.27278	OIL FILLER CAP ON EXHAUST CAMSHAFT COVER	5-50	1	Fitted to Engine No. 7B.10837 and subs. 3-4 litre 7B.65122 and subs. 3-8 litre
C.25480	'O' Ring, on Filler Cap	5-51	1	
C.5849	OIL PIPE FROM CYLINDER BLOCK TO REAR OF CYLINDER HEAD		1	Fitted from Engine No. 7B.1001 to 7B.5081 3-4 litre 7B.50001 to 7B.57918 3-8 litre
C.25619	OIL PIPE FROM CYLINDER BLOCK TO REAR OF CYLINDER HEAD	5-52	1	Fitted to Engine No. 7B.5082 and subs. 3-4 litre 7B.57919 and subs. 3-8 litre
C.5846	Banjo Bolt, securing Oil Pipe to Cylinder Head and Block Copper Washer, at each side of Banjo Bolts	5-53	3	
C.4146		5-54	6	
C.23874	FRONT COVER AND BREATHER HOUSING ASSEMBLY	5-55	1	
C.18604/1	Gauze Filter Assembly, behind Front Cover	5-56	1	
C.2227	Gasket, each side of Filter	5-57	2	
C.2327	Dome Nut, securing Cover to Cylinder Head	5-58	4	
FG.104/X	Washer, Spring, under Nuts		4	
C.18591	ELBOW HOSE, CONNECTING BREATHER HOUSING TO BREATHER PIPE	5-59	1	
C.15886/12	Clip, securing Elbow Hose	5-60	2	
C.18592	BREATHER PIPE BETWEEN BREATHER HOUSING AND AIR CLEANER END PLATE	5-61	1	
C.23089	ELBOW HOSE, CONNECTING BREATHER PIPE TO AIR CLEANER END PLATE	5-62	1	
C.15886/12	Clip, securing Elbow Hose	5-63	2	
C.18398	EXHAUST MANIFOLD, FRONT	5-64	1	

3.4 LITRE CYLINDER HEAD

Part No.	Description	Plate No.	No. per Unit	Remarks
C.18399	EXHAUST MANIFOLD, REAR	5-65	1	
C.2318	Gasket, between Exhaust Manifolds and Cylinder Head	5-66	2	
C.2369	Stud, in outlet flanges of Exhaust Manifolds, for attachment of Exhaust Down Pipes	5-67	8	
C.17916	Nut, securing Exhaust Down Pipes to Manifolds		8	} See also Exhaust System
FW.106/T	Washer, under Nuts		8	
C.18405/1	Sealing Ring, between outlet flanges of Manifolds and Exhaust Down Pipes	5-68	2	
C.14651/A	INLET MANIFOLD	5-69	1	
C.317	Welch Washer, at end of Inlet Manifold		1	
C.7619/1	Gasket, between Inlet Manifold and Cylinder Head	5-70	1	
C.2496	Stud, in Inlet Manifold, for attachment of Water Outlet Pipe		8	
C.6570	Stud, in Inlet Manifold, for attachment of Carburetters		8	
C.4202/2	Nut, on Studs		16	
FG.105/X	Washer, Spring, under Nuts		16	
C.17421	Adaptor, at back of Inlet Manifold, for Heater Feed	5-71	1	
C.2296/1	Copper Washer, on Adaptor	5-72	1	
C.13632	Screw, Set (Chrome) plugging redundant hole in Inlet Manifold		1	
C.13633	Copper Washer, on Setscrew		1	
C.11649	Pivot Pin, in Inlet Manifold, for Accelerator Control Connecting Link	5-73	1	
FG.105/X	Washer, Spring, on Pivot Pin	5-74	1	
C.22652	ADAPTOR, IN INLET MANIFOLD, FOR BRAKE VACUUM SERVO CONNECTION	5-75	1	
C.22651	BRAKE VACUUM SERVO PIPE ASSEMBLY	5-76	1	
C.11575	Olive, on Servo Pipe		1	
C.11576	Sleeve Nut, on Servo Pipe		1	
C.15731	Rubber Sleeve, for Servo Pipe	5-77	1	} See also Water Pump
C.22653	Hanger Bracket, fixing Servo and Heater Pipes	5-78	1	
C.15729	Clamp, securing Pipes to Hanger Brackets	5-79	1	
C.14665	BRACKET, BETWEEN CARBURETTERS, FOR MOUNTING OF ANTI-CREEP THROTTLE SWITCH	5-80	1	FITTED TO CARS WITH AUTOMATIC TRANSMISSION FROM CHASSIS NO. 1B.1001 to 1B.8444 } 3-4 litre 1B.25001 to 1B.26240 } 1B.50001 to 1B.59528 } 3-8 litre 1B.75001 to 1B.80287 }
C.12473	Stud, in Inlet Manifold, fixing Bracket	5-81	1	
UFN.131/L	Nut, securing Bracket on Stud		1	
FG.105/X	Washer, Spring, under Nut		1	

3.4 LITRE CYLINDER HEAD

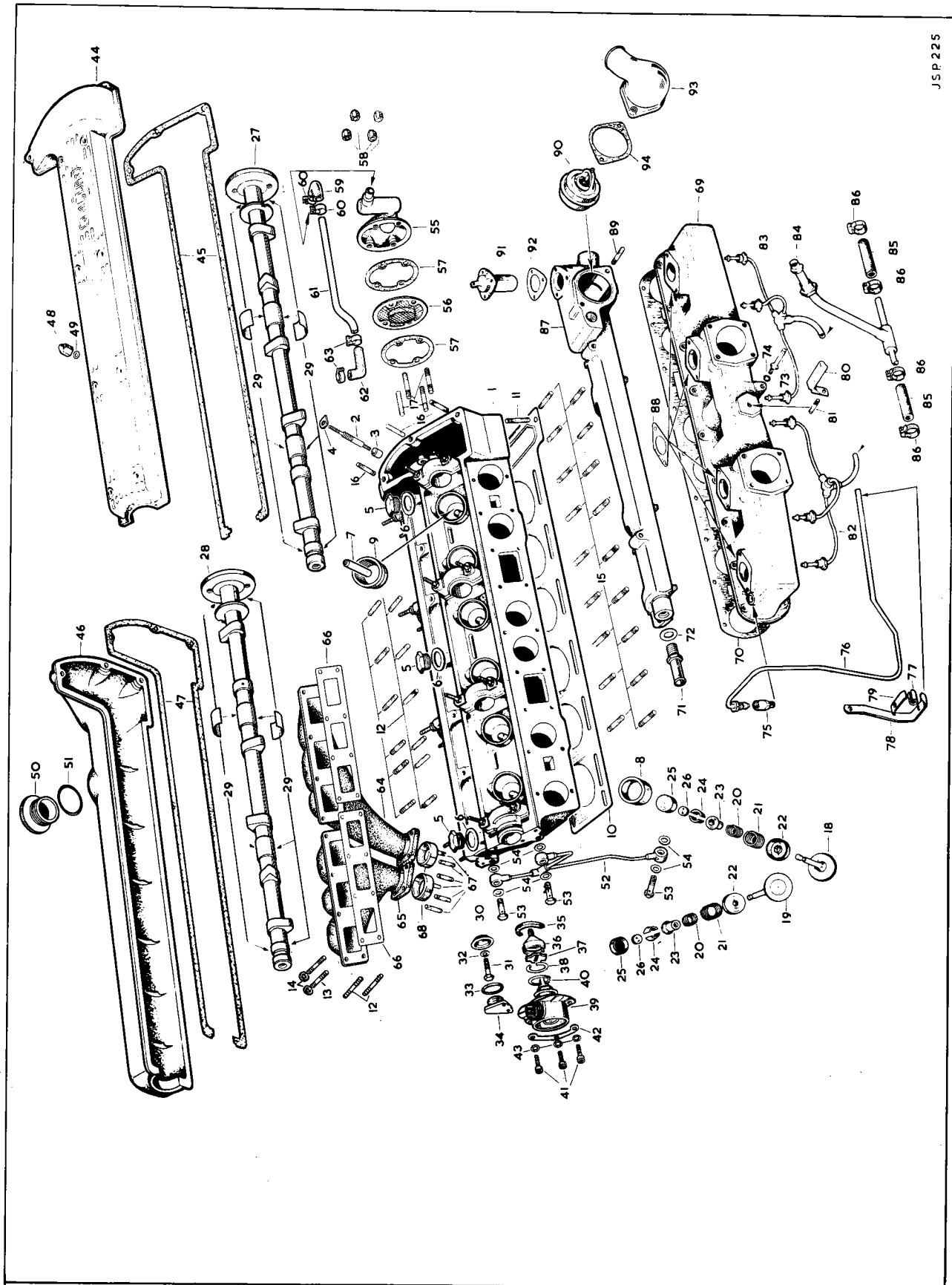
Part No.	Description	Plate No.	No. per Unit	Remarks
C.14652	L.H. MANIFOLD STARTING PIPE ASSEMBLY	5-82	1	
C.14658	Olive, on Manifold Starting Pipe		3	
C.14659	Tubing Nut, on Starting Pipe		3	
C.14653	R.H. MANIFOLD STARTING PIPE ASSEMBLY	5-83	1	
C.14658	Olive, on Manifold Starting Pipe		3	
C.14659	Tubing Nut, on Starting Pipe		3	
C.14661	STARTING PIPE ASSEMBLY FROM MANIFOLD PIPES TO CARBURETTER	5-84	1	
C.13553	Olive, on Carburetter Starting Pipe		1	
C.13554	Tubing Nut, on Carburetter Starting Pipe		1	
C.14683	NEOPRENE TUBE CONNECTING MANIFOLD AND CARBURETTER STARTING PIPES	5-85	2	
C.2905/1	Clip, securing Neoprene Tubes	5-86	4	
C.15800/2	WATER OUTLET PIPE	5-87	1	
C.12309	Gasket, between Water Outlet Pipe and Inlet Manifold	5-88	4	
C.2496	Stud, in Water Outlet Pipe, for attachment of Outlet Elbow	5-89	2	
C.27650	THERMOSTAT IN WATER OUTLET PIPE (3B.1030.74) (OPENING TEMPERATURE 71° TO 76.5° C.) (160° TO 170° F.)	5-90	1	
C.27650/1	THERMOSTAT IN WATER OUTLET PIPE (3B.1030.82) (OPENING TEMPERATURE 79° TO 84°C.) (174° TO 183° F.)	5-90	1	FOR USE ONLY IN COLD CLIMATES

3.4 LITRE CYLINDER HEAD

Part No.	Description	Plate No.	No. per Unit	Remarks
C.22516	THERMOSTAT, IN INLET MANIFOLD, OPERATING CARBURETTER AUTOMATIC CHOKE	5-91	1	
C.2475	Gasket, between Thermostat and Inlet Manifold	5-92	1	
C.7134/1	Screw, Set, securing Thermostat to Manifold		3	
C.723/A	Washer, Shakeproof, on Setscrews		3	
C.12422	WATER OUTLET ELBOW	5-93	1	
C.4985	Gasket, for Water Outlet Elbow	5-94	1	
C.4202/2	Nut, securing Water Outlet Elbow to Outlet Pipe		2	
FG.105/X	Washer, Spring, under Nuts		2	
UN.12Y	SPARKING PLUG (CHAMPION)		6	FOR 7:1, 8:1, OR 9:1 COMPRESSION RATIO ENGINES
5520/1	HIGH TENSION SPARKING PLUG LEAD (21 FEET LONG)		1	
C.27494	TERMINAL FOR SPARKING PLUG LEADS (INCORPORATING SUPPRESSOR)		6	
C.27856	INSULATION SLEEVE (RUBBER) FOR TERMINALS		6	
C.30121	FERRULE, FOR H.T. LEAD, DISTRIBUTOR TO COIL		1	} REQUIRED FOR IGNITION COILS USING PUSH-IN TYPE CONNECTORS See also Electrical Equipment
C.28854	INSULATION SLEEVE (RUBBER) FOR H.T. LEAD AT COIL		1	
C.24126	CONDUIT, ALONG CENTRE OF CYLINDER HEAD, ENCLOSING SPARKING PLUG LEADS		1	

3.4 LITRE CYLINDER HEAD

Part No.	Description	Plate No.	No. per Unit	Remarks
C.19890	CLIP, ON TIMING COVER BOLT, RETAINING SPARKING PLUG LEADS		1	
3204	Grommet, in Clip		1	
C.2155	Distance Piece, on Bolt securing Clip		1	
C.19889	SLEEVE (P.V.C.) ON SPARKING PLUG LEADS AT FRONT OF CYLINDER HEAD		1	



3.8 LITRE CYLINDER HEAD

Part No.	Description	Plate No.	No. per Unit	Remarks
10333	CYLINDER HEAD ASSEMBLY, COMPLETE (SD.1132) (Comprising: Cylinder Head, Valves, Valve Inserts, Guides, Springs, Tappets, Tappet Guides, Adjusting Pads, Camshafts, Camshaft Covers, Filler Cap, Rev. Counter Generator, Breather Cover, etc.)		1	
C.26201	CYLINDER HEAD ASSEMBLY		1	
C.2326	Stud, for fixing Camshaft Bearing Caps and Covers		16	
C.2373	Ring-Dowel, on Studs		16	
FW.105/T	Washer, Plain, on Studs		16	
UFN.131/L	Nut, securing Bearing Caps		16	
FG.105/X	Washer, Spring, under Nuts		16	
C.2157	Core Plug (Headed) at top of Cylinder Head		3	
C.2296/2	Washer (Copper) under Headed Core Plug		3	
C.26198	Guide, for Inlet Valve		6	} FIRST OVERSIZE
C.26195	Guide, for Exhaust Valve		6	
C.26198/1	Guide, for Inlet Valve		6	} SECOND OVERSIZE
C.26195/1	Guide, for Exhaust Valve		6	
C.26199	Circlip, locating Valve Guides		12	
C.12507	Insert, for Inlet Valve		6	
C.9865	Insert, for Exhaust Valve		6	
C.7262	Guide, for Tappets		12	
C.19113	Gasket, between Cylinder Head and Block		1	
8169	GASKETS PACKAGE FOR DECARBON- ISING ENGINE (SD.1088)		1	
C.14809/A	INLET MANIFOLD FOR ALL OTHER ITEMS IN CONNECTION WITH CYLINDER HEAD, PLEASE REFER TO 3-4 LITRE CYLINDER HEAD SECTION		1	

TIMING GEAR

Part No.	Description	Plate No.	No. per Unit	Remarks
C.24686	SPROCKET FOR CAMSHAFTS	6-1	2	
1003	Adjusting Plate, inside Camshaft Sprockets		2	} Fitted from Engine No. 7B.1001 to 7B.9771 3-4 litre 7B.50001 to 7B.64822 3-8 litre NOTE: PART No. 1003, C.2178 C.2194 AND C.2261 REPLACED BY COUPLING ASSEMBLY C.26688
C.2193	Circlip, retaining Adjusting Plates in Sprockets		2	
C.2178	Guide Pin, through Adjusting Plates		2	
C.2194	Star Washer, on Guide Pins, behind Adjusting Plates		2	
C.2261	Circlip, retaining Guide Pins		2	
C.2310	Screw, Set, securing Adjusting Plates and Sprockets to Camshafts		4	
C.26688	COUPLING ASSEMBLY, LOCATING SPROCKETS ON CAMSHAFTS	6-2	2	Fitted to Engine No. 7B.9772 and subs. 3-4 litre 7B.64823 and subs. 3-8 litre
C.2193	Circlip, retaining Coupling Assembly in Sprockets	6-3	2	
C.2310	Screw, Set, securing Coupling Assembly and Sprockets to Camshafts		4	
C.4128/1	FRONT MOUNTING BRACKET FOR TIMING GEAR	6-4	1	
C.4129	REAR MOUNTING BRACKET FOR TIMING GEAR	6-5	1	
C.2182	Stud, fixing front and rear Mounting Brackets		4	
UFN.125/L	Nut, securing Brackets on Studs		4	
C.724	Washer, Shakeproof, under Nuts		4	
UFB.131/18-5R	Bolt (Long) securing Mounting Bracket to Cylinder Block		4	
UFB.131/9R	Bolt (Short) securing rear Mounting Bracket and Intermediate Chain Damper to Cylinder Block		2	Fitted from Engine No. 7B.1001 to 7B.5615 3-4 litre 7B.50001 to 7B.58882 3-8 litre
C.2166	Bolt (Short) securing Rear Mounting Bracket, Intermediate Chain Damper and Chain Retainer to Cylinder Block		2	Fitted to Engine No. 7B.5616 and subs. 3-4 litre 7B.58883 and subs. 3-8 litre
C.740	Washer, Shakeproof, on Bolts		6	
C.26740	IDLER SPROCKET ASSEMBLY (21 TEETH) BETWEEN MOUNTING BRACKETS	6-6	1	
C.2319/1	Bush, for Idler Sprocket		1	
C.27189	ECCENTRIC SHAFT, THROUGH IDLER SPROCKET, FOR ADJUSTMENT OF UPPER TIMING CHAIN	6-7	1	
C.2282	Plug, in end of Eccentric Shaft	6-8	1	

TIMING GEAR

Part No.	Description	Plate No.	No. per Unit	Remarks
C.4404	ADJUSTMENT PLATE, ON FACE OF FRONT MOUNTING BRACKET, FOR MICRO ADJUSTMENT OF UPPER TIMING CHAIN	6-9	1	
C.3338/4 C.742	Nut, securing Adjustment Plate to Eccentric Shaft Washer, Shakeproof, under Nut		1 1	
C.4405	Plunger Pin , in front Mounting Bracket, holding Adjustment Plate in tension	6-10	1	
C.2297	Spring , behind Plunger Pin	6-11	1	
C.25275	INTERMEDIATE SPROCKET ASSEMBLY (20/28 TEETH) FOR UPPER AND LOWER TIMING CHAINS	6-12	1	
C.2320	Bush , for Sprocket		1	
C.2161	SHAFT, HOLDING INTERMEDIATE SPROCKET	6-13	1	
C.2335 C.16626	Circlip, retaining Shaft Shim, on Shaft, taking up End-float	6-14 6-15	1 As req'd	
C.2256	TOP TIMING CHAIN	6-16	1	
C.13617	R.H. DAMPER ASSEMBLY FOR UPPER TIMING CHAIN	6-17	1	
C.13616	L.H. DAMPER ASSEMBLY FOR UPPER TIMING CHAIN	6-18	1	
C.13660 C.25818	Distance Piece, for Upper Dampers Retainer, for Upper Timing Chain	6-19 6-20	4 1	Fitted to Engine No. 7B.5616 and subs. 3-4 litre 7B.58883 and subs. 3-8 litre
C.21815	INTERMEDIATE DAMPER ASSEMBLY FOR LOWER TIMING CHAIN	6-21	1	
UFS.131/5R C.21831	Screw, Set, securing Damper Tab Washer, on Setscrews	6-22	2 1	
C.2255	BOTTOM TIMING CHAIN	6-23	1	

TIMING GEAR

Part No.	Description	Plate No.	No. per Unit	Remarks
C.13614/1	VIBRATION DAMPER FOR LOWER TIMING CHAIN	6-24	1	
UFS.131/5R C.20397	Screw, Set, securing Damper to Cylinder Block Lockwasher, on Setscrews	6-25	2 1	
C.10332	HYDRAULIC CHAIN TENSIONER ASSEMBLY	6-26	1	
6029	Tab Washer, securing Adjuster Plug		1	
C.9766 UFB.125/11R	Shim, for adjustment of Hydraulic Tensioner Bolt, securing Hydraulic Chain Tensioner to Cylinder Block	6-27	As req'd 2	
C.10333	Tab Washer, retaining Bolts	6-28	1	
6265	REPAIR KIT FOR HYDRAULIC CHAIN TENSIONER (SD. 1042) (Comprising: Cylinder Barrel, Spring, Plug and Tab Washer)		1	
C.13457	FILTER GAUZE, IN CYLINDER BLOCK, BEHIND HYDRAULIC CHAIN TENSIONER	6-29	1	
C.8614/1	FRONT TIMING COVER	6-30	1	See also Cylinder Block
C.8615 C.24611/2	Gasket, between Timing Cover and Cylinder Block Oil Seal, between Timing Cover and Crankshaft	6-31 6-32	2 halves 1	
C.2183	Stud, in Front Timing Cover, fixing Cylinder Head		2	
C.2184	Stud, in Front Timing Cover, fixing Water Pump		3	
C.2325	Stud, in Front Timing Cover, fixing Oil Sump		4	
UFN.131/L	Nut, on Studs		9	
FG.105/X	Washer, Spring, under Nuts at Pump and Head Fixings		5	
FW.105/E	Washer, Copper, under Nuts at Sump Fixings		4	
UFB.131/9R	Bolt, securing Timing Cover to Cylinder Block		1	
UFB.131/14R	Bolt, securing Timing Cover to Cylinder Block		2	
UFB.131/22R	Bolt, securing Timing Cover to Cylinder Block		1	
UFB.131/21R	Bolt, securing Timing Cover and Water Pump to Cylinder Block		3	
UFB.131/26R	Bolt, securing Timing Cover and Water Pump to Cylinder Block		1	
UFB.131/25R	Bolt, securing Dynamo Link and Timing Cover to Cylinder Block		1	
FG.105/X	Washer, Spring, on Bolts		9	
UFB.137/11R	Bolt, securing Timing Cover to Cylinder Block		3	
FG.106/X	Washer, Spring, on Bolts		3	
C.25147	DYNAMO ADJUSTING LINK	6-33	1	} NOT REQUIRED WHEN C.48 DYNAMO IS FITTED
C.19317	Distance Piece, behind Adjusting Link	6-34	1	

TIMING GEAR

Part No.	Description	Plate No.	No. per Unit	Remarks
C.21327	DYNAMO LINK ASSEMBLY		1	REQUIRED WHEN C.48 DYNAMO IS FITTED
C.17731	Distance Piece , behind Link Assembly		1	
C.23381	BRACKET ASSEMBLY ON FRONT TIMING COVER, FOR AUTOMATIC FAN BELT TENSIONER	6-35	1	
UFB.137/13R	Bolt , securing Bracket and Front Timing Cover to Cylinder Block		1	
UFB.137/14R	Bolt , securing Bracket and Front Timing Cover to Cylinder Block		1	
FG.106/X	Washer , Spring, on Bolts		2	
C.18447	TORSION SPRING FOR AUTOMATIC ADJUSTMENT OF FAN BELT TENSION	6-36	1	
C.21330	CARRIER FOR JOCKEY PULLEY	6-37	1	
C.8737/2	Nut , Self-Locking, retaining Carrier to Bracket		1	
C.21326	Thrust Washer and Limiting Stop , under Nut		1	
C.19521	JOCKEY PULLEY ASSEMBLY APPLYING TENSION TO FAN BELT	6-38	1	
C.3968/2	Nut , Self-Locking, securing Jockey Pulley to Carrier		1	

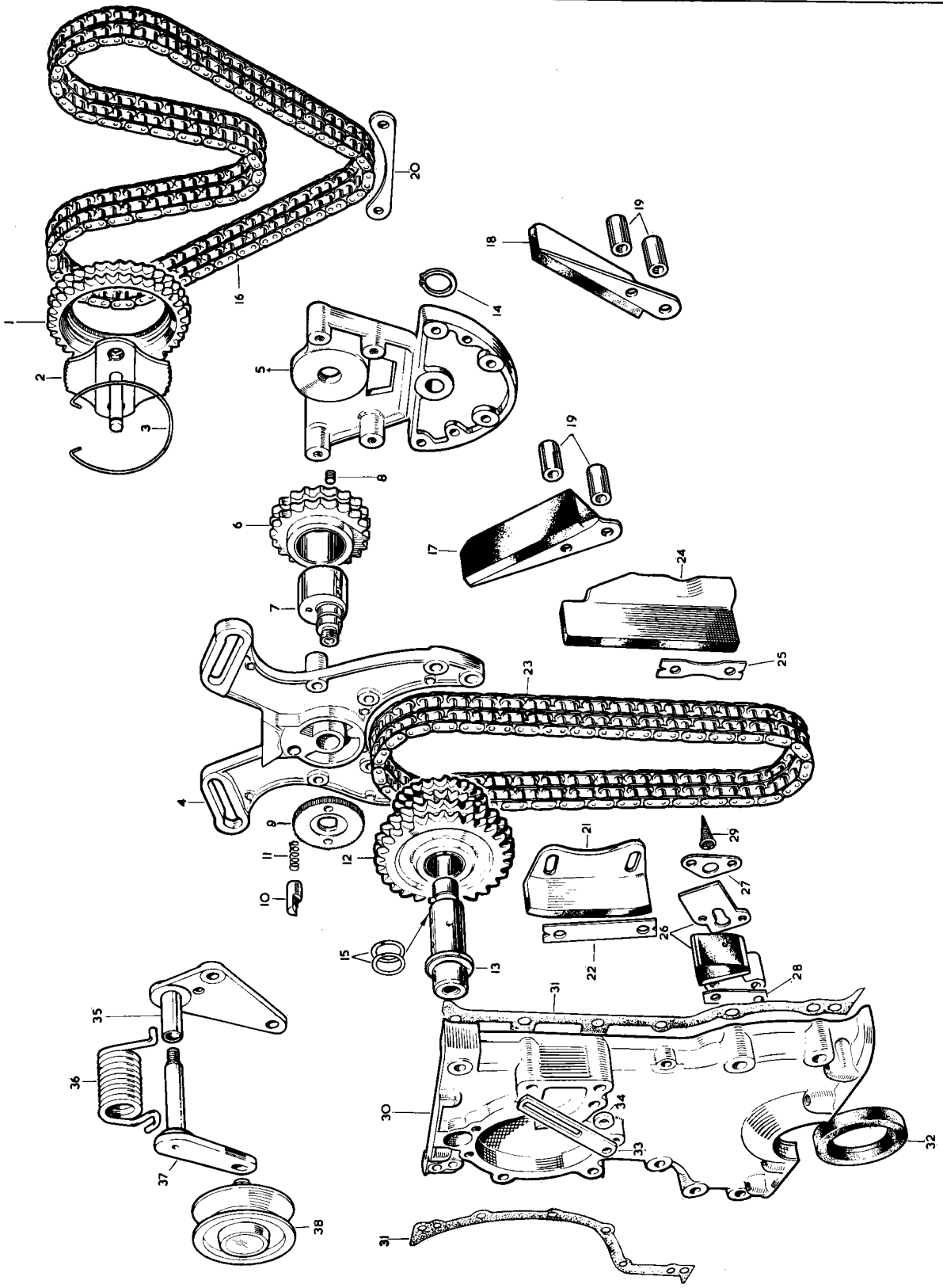


PLATE 6

CARBURETTERS AND PETROL FILTER

Part No.	Description	Plate No.	No. per Unit	Remarks
C.24627	FRONT CARBURETTER, COMPLETE (HD.6)	7-1	1	
C.16228	REAR CARBURETTER, COMPLETE (HD.6)	7-2	1	NOT REQUIRED FOR CARS FITTED WITH MODEL 35 AUTOMATIC TRANSMISSION
C.26738	REAR CARBURETTER, COMPLETE (HD.6)		1	REQUIRED FOR CARS FITTED WITH MODEL 35 AUTOMATIC TRANSMISSION
8032	Body only, for Rear Carburetter (AUC.8264)		1	
8033	Body only, for Front Carburetter (AUC.8265)	7-3	1	
7868	Adaptor, for Ignition Union on Front Carburetter (AUC.8190)	7-4	1	
7091	Gasket, under Adaptor (AUC.2014)	7-5	1	
7961	Screw, securing Adaptor to Front Carburetter Body (AUC.5156)		2	
7105	Washer, Shakeproof, on Screws (AUA.4643)		2	
11809	Suction Chamber Assembly (AUD.9182) (comprising Suction Chamber and Piston)	7-6	2	
7093	Screw, holding Jet Needle in Piston (AUC.2057)		2	
6961	Damper Assembly, in Suction Chamber (AUC.8102)	7-7	2	
7095	Washer, for Damper (AUC.4900)	7-8	2	
7094	Spring, assisting return of Piston (AUC.4387)	7-9	2	
7038	Skid Washer, under Spring, at bottom of Piston (AUC.3071)	7-10	2	
7096	Screw, securing Suction Chamber to Carburetter Body (AUC.2175)		6	
5980	Jet Needle (TL)	7-11	2	
6957	Jet Assembly (AUC.8155) (comprising Jet Unit with Diaphragm and Cup)	7-12	2	
6958	Jet Bearing (AUC.2001)	7-13	2	
6959	Nut, locking Jet (AUC.2002)	7-14	2	
6960	Spring, under Diaphragm (AUC.2006)	7-15	2	
7873	Housing Assembly, for Jet Unit (AUC.8221)	7-16	2	
6993	Float Chamber Assembly, for Rear Carburetter (AUC.2009)		1	
7114	Float Chamber Assembly, for Front Carburetter (AUC.2088)	7-17	1	
7115	Bolt, securing Float Chamber and Jet Housing to Carburetter Body (AUC.2110)		8	
7105	Washer, Shakeproof, on Bolts (AUA.4643)		8	
10025	Lid, for Float Chamber on Rear Carburetter (AUD.2283)		1	
10026	Lid, for Float Chamber on Front Carburetter (AUD.2284)	7-18	1	
1090	Float (AUC.1123)	7-19	2	
10532	Needle and Seat, ('Viton') controlling petrol flow to Float Chamber (AUD.9585)	7-20	2	
10027	Lever, operating Float Needle (AUD.2285)	7-21	2	
1153	Knurled Pin, securing Lever to Float Chamber Lid (AUC.1152)	7-22	2	
7119	Gasket, under Float Chamber Lid (AUC.1147)	7-23	2	
5832	Cap Nut, securing Lid to Float Chamber (AUC.1867)	7-24	2	
1298	Serrated Washer (Fibre) on Cap Nut, adjacent to Lid (AUC.1928)	7-25	2	
7120	Alum Washer, on Cap Nut (AUC.1557)	7-26	2	
479	Filter, in Inlet connection on Float Chamber Lid (AUC.2139)	7-27	2	
C.11488	Banjo Bolt, securing Feed Pipe to Float Chamber Lid (AUC.2698)	7-28	2	} See also Fuel System
C.11489	Washer (Fibre) on Banjo Bolt (AUC.2141)	7-29	4	
7962	Thermostat Body Assembly, on Front Carburetter (AUC.8961)	7-30	1	
7963	Acceleration Needle Assembly (AUC.8129)	7-31	1	
6956	Spring, for Acceleration Needle (AUC.1041)	7-32	1	
7121	Jet, for Acceleration Needle (AUC.4759)	7-33	1	

CARBURETTERS AND PETROL FILTER

Part No.	Description	Plate No.	No. per Unit	Remarks
CARBURETTER (HD.6) (Cont'd)				
7123	Spring Finger, holding Acceleration Needle after adjustment (AUC.3139)	7-34	1	
6955	Dust Shield, for Thermostat Body (AUC.1054)	7-35	1	
7124	Screw, securing Acceleration Needle to Thermostat Body (AUA.1453)	7-36	2	
1617	Washer, Double Coil Spring, on Screws (AUC.3003)	7-37	2	
6876	Solenoid Assembly, for Acceleration Needle (AUC. 8177)	7-38	1	FITTED TO CARBURETTER C.16227 ONLY
10536	Solenoid Assembly, for Acceleration Needle (AUD. 9490)		1	FITTED TO CARBURETTER C.24627 ONLY
7122	Spring Clip, for Solenoid Terminals (AUC.4871)	7-39	2	
7125	Bracket, fixing Thermostat Body to Front Carburetter (AUC.2085)	7-40	1	
7126	Connecting Arm, between Thermostat Body and Carburetter (AUC.2087)	7-41	1	
C.11488	Banjo Bolt, securing Connecting Arm and Bracket to Thermostat Body (AUC.2698)	7-42	1	
7129	Washer (Fibre) at each side of Bracket to Thermostat Body (AUC.4753)	7-43	2	
C.11489	Washer (Fibre) on Banjo Bolt to Thermostat Body (AUC.2141)	7-44	1	
7127	Banjo Bolt, securing Connecting Arm to Carburetter (AUC.2086)	7-45	1	
7128	Washer (Fibre) between Connecting Arm and Carburetter (AUC.2089)	7-46	1	
7120	Washer (Alum) between head of Banjo Bolt and Connecting Arm (AUC.1557)	7-47	1	
6967	Valve, for slow-running adjustment (AUC.2028)	7-48	2	
6966	Spring, for Slow-run Valve (AUC.2027)	7-49	2	
6968	Gland Washer (Neoprene) on Slow-run Valve (AUC.2029)	7-50	2	
6969	Washer (Brass) at top of Gland Washer (AUC.2030)	7-51	2	
7964	Throttle Spindle, on Front Carburetter (AUC.8422)		1	
7965	Throttle Spindle, on Rear Carburetter (AUC.8423)		1	
1730	Throttle Disc (Butterfly) (AUC.3280)		2	
7046	Screw, securing Throttle Disc to Spindle (AUC.1358)		4	
7101	Stop, for Throttle (AUC.2079)		2	
7050	Taper Pin, securing Stop to Throttle Spindle (AUC.2106)		2	
7107	CONNECTING ROD BETWEEN CARBURETTERS (AUC. 2411)	7-52	1	
4833	COUPLING BETWEEN CONNECTING ROD AND THROTTLE SPINDLES (AUC. 4334)	7-53	2	
5801	Bolt, securing Coupling (AUC.2669)		4	
673	Nut, on Bolts (AUC.2673)		4	
4612	Washer, under Nuts (AUC.4612)		4	
C.14371	LEVER, ON FRONT CARBURETTER SPINDLE, FOR THROTTLE RETURN SPRING (AUC. 8405)	7-54	1	
C.15546	LEVER, ON REAR CARBURETTER SPINDLE, OPERATING THROTTLE (AUC. 8444)	7-55	1	

CARBURETTORS AND PETROL FILTER

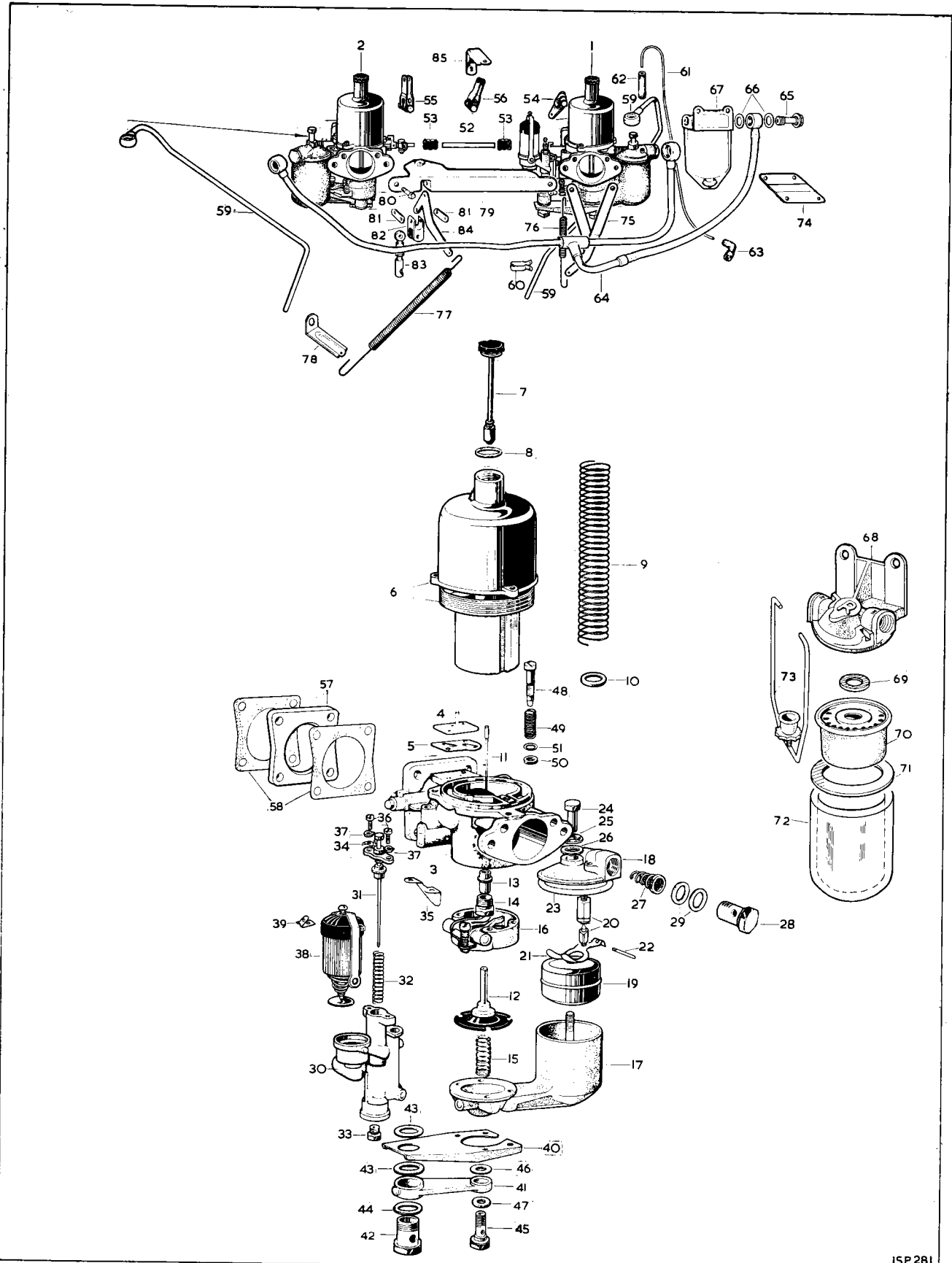
Part No.	Description	Plate No.	No. per Unit	Remarks
C.26549	LEVER ON REAR CARBURETTER SPINDLE OPERATING THROTTLE		1	REQUIRED FOR CARS FITTED WITH MODEL 35 AUTOMATIC TRANSMISSION
C.14372	LEVER, ON CARBURETTER CONNECTING ROD, OPERATING ANTI-CREEP THROTTLE SWITCH (AUC. 8215)	7-56	1	REQUIRED FOR CARS FITTED WITH MODEL 'D.G.' AUTOMATIC TRANSMISSION FROM CHASSIS NO.
5803	Bolt, through Levers (AUC.2694)		3	1B.1001 to 1B.8444 } 3-4 litre
5614	Nut, on Bolts (AUC.2156)		3	1B.25001 to 1B.26240 } 3-8 litre
7966	Washer, under Nuts (AUC.8396)		3	1B.50001 to 1B.59528 } 3-8 litre
C.7461	INSULATOR BETWEEN CARBURETTORS AND INLET MANIFOLD	7-57	2	
C.2368	Gasket, at each side of Insulators	7-58	4	
C.12280	OVERFLOW PIPE FROM FLOAT CHAMBER LID	7-59	2	
C.15992	Clip, securing Overflow Pipes	7-60	1	
C.21575	SUCTION PIPE FROM FRONT CARBURETTER TO DISTRIBUTOR VACUUM CONTROL	7-61	1	
C.14212	Neoprene Tube, connecting Suction Pipe to Adaptor on Front Carburetter	7-62	1	
C.21573	Elbow, connecting Suction Pipe to Distributor	7-63	1	
C.23485	PETROL FEED PIPE ASSEMBLY LINKING CARBURETTORS	7-64	1	See also Fuel System FOR USE WITH PETROL FILTER ASSEMBLY C.13681
C.13705	Banjo Bolt, securing Pipe to Filter	7-65	1	
C.784	Fibre Washer, on Banjo Bolt	7-66	2	
C.26586	PETROL FEED PIPE ASSEMBLY LINKING CARBURETTORS		1	FOR USE WITH PETROL FILTER ASSEMBLY C.27588
C.13681	PETROL FILTER ASSEMBLY (AC. 7950001)		1	SUPERSEDED BY C.27588
7297	Filter Casting		1	
7298	Sealing Washer, between Filter Casting and Glass Bowl		1	
7299	Filter Gauze		1	
7300	Glass Bowl		1	
7301	Retaining Strap Assembly		1	

CARBURETTORS AND PETROL FILTER

Part No.	Description	Plate No.	No. per Unit	Remarks
C.27588	PETROL FILTER ASSEMBLY (AC. 7971243)	7-67	1	} SUPERSEDES C.13681
11450	Filter Casting (7971137)	7-68	1	
11951	Sealing Washer, between Filter Casting and Element (5593321)	7-69	1	
C.28080	Filter Element (Fibre) complete with Sealing Washers (854347)	7-70	1	
11950	Sealing Washer, between Filter Casting and Glass Bowl (854361)	7-71	1	
7300	Glass Bowl (1523620)	7-72	1	
7301	Retaining Strap Assembly (5592050)	7-73	1	
C.23115	BRACKET, MOUNTING PETROL FILTER TO R.H. FRONT WING VALANCE	7-74	1	Fitted from Engine No. 7B.1001 to 7B.9686 3-4 litre 7B.50001 to 7B.64799 3-8 litre
C.26589	BRACKET, MOUNTING PETROL FILTER TO R.H. FRONT WING VALANCE		1	Fitted to Engine No. 7B.9687 and subs. 3-4 litre 7B.64800 and subs. 3-8 litre
UFS.131/6R	Screw, Set, securing Filter to Bracket and Bracket to Wing Valance		4	
UFN.131/L	Nut, on Setscrews		4	
FG.105/X	Washer, Spring, under Nuts		4	
C.15549	BRACKET ASSEMBLY, ON FRONT CARBURETTER, ANCHORING RETURN SPRING	7-75	1	} See also Accelerator Controls
C.14366	THROTTLE RETURN SPRING FROM LEVER ON FRONT CARBURETTER TO ANCHOR BRACKET	7-76	1	
C.13355	THROTTLE RETURN SPRING FROM LINKAGE TO BRACKET ON OIL CLEANER	7-77	1	
C.18065	Bracket, on Oil Cleaner, anchoring Return Spring	7-78	1	
C.15535	THROTTLE STOP BRACKET ASSEMBLY BETWEEN FRONT AND REAR CARBURETTORS	7-79	1	
C.15548	Dowel Bolt, securing Stop Bracket to Carburettors	7-80	2	
UFN.131/L	Nut, on Dowel Bolts		2	
FG.105/X	Washer, Spring, under Nuts		2	
UFS.319/7H	Screw, Set, in Stop Bracket, adjusting Throttle opening		1	
UFN.119/L	Nut, locking Setscrew after adjustment		1	

CARBURETTERS AND PETROL FILTER

Part No.	Description	Plate No.	No. per Unit	Remarks
C.15540	INTERMEDIATE THROTTLE LINK ON REAR CARBURETTER OPERATING LEVER	7-81	2	
FW.104/T	Washer, Plain, between arms of Operating Lever		1	
C.15547	Clevis Pin, securing Intermediate Throttle Link to Operating Lever		1	Fitted from Engine No. 7B.1001 to 7B.6836 3-4 litre 7B.50001 to 7B.60856 3-8 litre
L.103/6U	Split Pin, retaining Clevis Pin		1	
FW.104/T	Washer, Plain, behind Split Pin		1	Fitted to Engine No. 7B.6837 and subs. 3-4 litre 7B.60857 and subs. 3-8 litre
C.26445	Clevis Pin, securing Intermediate Throttle Link to Operating Lever		1	
BD.18193	Circlip, retaining Clevis Pin		1	
C.15541	TRUNNION ON INTERMEDIATE THROTTLE LINK	7-82	1	
C.15542	Clevis Pin, securing Trunnion to Intermediate Throttle Link		1	Fitted from Engine No. 7B.1001 to 7B.6836 3-4 litre 7B.50001 to 7B.60856 3-8 litre
L.103/6U	Split Pin, retaining Clevis Pin		1	
FW.104/T	Washer, Plain, behind Split Pin		1	Fitted to Engine No. 7B.6837 and subs. 3-4 litre 7B.60857 and subs. 3-8 litre
C.26444	Clevis Pin, securing Trunnion to Intermediate Throttle Link		1	
BD.18193	Circlip, retaining Clevis Pin		1	
C.15543	THROTTLE LINK ROD ASSEMBLY ON TRUNNION	7-83	1	
C.15542	Clevis Pin, securing Link Rod to Trunnion		1	Fitted from Engine No. 7B.1001 to 7B.6836 3-4 litre 7B.50001 to 7B.60856 3-8 litre
L.103/6U	Split Pin, retaining Clevis Pin		1	
FW.104/T	Washer, Plain, behind Split Pin		1	Fitted to Engine No. 7B.6837 and subs. 3-4 litre 7B.60857 and subs. 3-8 litre
C.26444	Clevis Pin, securing Link Rod to Trunnion		1	
BD.18193	Circlip, retaining Clevis Pin		1	
C.15538	INTERMEDIATE THROTTLE LEVER FROM THROTTLE LINK TO STOP BRACKET	7-84	1	
C.15539	Clevis Pin, securing Intermediate Throttle Lever to Stop Bracket		1	Fitted from Engine No. 7B.1001 to 7B.6836 3-4 litre 7B.50001 to 7B.60856 3-8 litre
L.103/6U	Split Pin, retaining Clevis Pin		1	
C.13361	Washer, Plain, behind Split Pin		1	Fitted to Engine No. 7B.6837 and subs. 3-4 litre 7B.60857 and subs. 3-8 litre
C.26443	Clevis Pin, securing Intermediate Throttle Lever to Stop Bracket		1	
BD.18193	Circlip, retaining Clevis Pin		1	
C.14665	BRACKET, BETWEEN CARBURETTERS, MOUNTING THROTTLE SWITCH	7-85	1	FITTED TO CARS WITH AUTOMATIC TRANSMISSION from Chassis No.
C.12473	Stud, fixing Throttle Switch Bracket to Manifold		1	
UFN.131/L	Nut, securing Bracket		1	
FG.105/X	Washer, Spring, under Nut		1	



JSP281

PAPER ELEMENT AIR CLEANER

Part No.	Description	Plate No.	No. per Unit	Remarks
C.23094	AIR CLEANER ASSEMBLY (7964873)		1	
10075	Shell Assembly, for Air Cleaner (7964880)	8-1	1	
10074	End Plate and Element Bracket Assembly (7964879)	8-2	1	
C.19530	Paper Element (A.6035)	8-3	1	
C.20711	Gasket, seating Element (7955245)	8-4	2	
10073	Plate, retaining Element (7955774)	8-5	1	
6818	Wing Nut, securing Retaining Plate (1527211)	8-6	1	
10072	Washer, under Wing Nut (1521476)	8-7	1	
C.12734	Wing Nut, securing Air Cleaner to Support Bracket	8-8	2	
FW.105/T	Washer, Plain, under Wing Nuts	8-9	2	
10075	SHELL ASSEMBLY FOR AIR CLEANER (7964880)	8-1	1	
6465	Clip, securing End Plate (7222462)		2	
C.23088	BRACKET ASSEMBLY, SUPPORTING AIR CLEANER	8-10	1	
C.19735	RUBBER SEAL, CONNECTING AIR CLEANER TO AIR INTAKE	8-11	1	
C.15554	AIR INTAKE	8-12	1	
C.15553	Gasket, between Air Intake and Carburetters	8-13	2	
C.15548	Dowel Bolt, positioning Air Intake to Carburetters	8-14	2	
C.8243	Adaptor, in Air Intake, for Drain Tubes	8-15	2	
UCS.131/8R	Screw, Set, securing Air Intake to Carburetters		2	
FG.105/X	Washer, Spring, on Setscrews		2	
C.8244	DRAIN TUBE ASSEMBLY FOR AIR INTAKE	8-16	1	
C.1040/26	Clip, securing Drain Tubes	8-17	1	
C.30074	AIR CLEANER INTAKE HOSE	8-18	1	
C.23432	Bracket, supporting Intake Hose	8-19	1	
C.23532	Clip, securing Intake Hose to Bracket		1	
UFS.125/6R	Screw, Set, securing Clip to Bracket		1	
UFN.125/L	Nut, on Setscrew		1	
FG.104/X	Washer, Spring, under Nut		1	
C.23100	RUBBER SEAL, CONNECTING INTAKE HOSE TO AIR CLEANER	8-20	1	

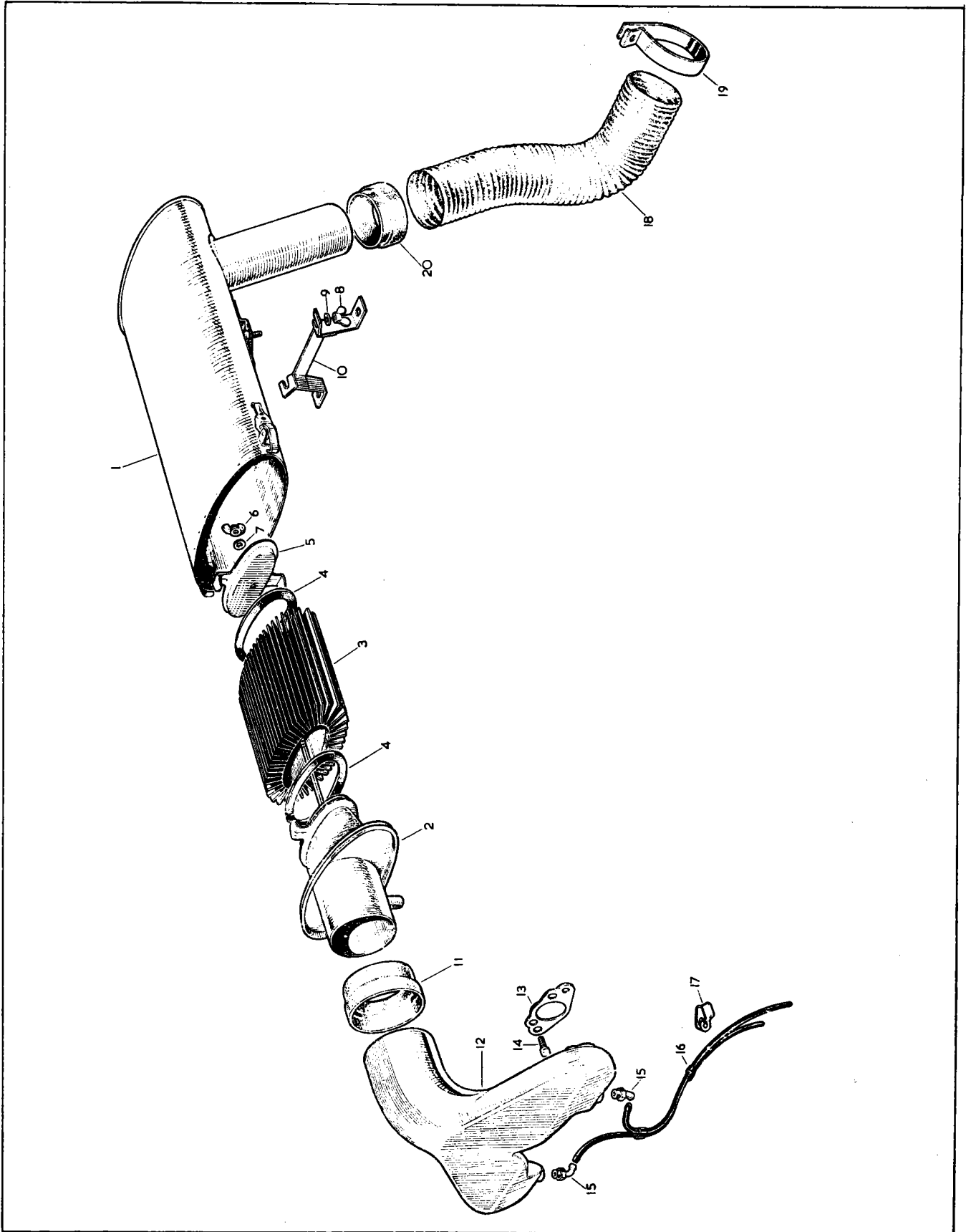


PLATE 8

STANDARD AND OVERDRIVE TRANSMISSION

ACCELERATOR CONTROLS (R.H. DRIVE CARS ONLY)

FITTED FROM CHASSIS NO. 1B.1001 TO 1B.8433, 3·4 LITRE, AND 1B.50001 TO 1B.59478, 3·8 LITRE

Part No.	Description	Plate No.	No. per Unit	Remarks
C.13622	ACCELERATOR PEDAL ASSEMBLY	9-1	1	
UFS.125/11R	Screw, Set, restricting Pedal Travel	9-2	1	
UFN.125/L	Nut, on Setscrew	9-3	1	
C.3479	Felt Washer, at each side of Pedal Boss	9-4	2	
C.23477	BRACKET ASSEMBLY, MOUNTING ACCELERATOR PEDAL TO FLOOR	9-5	1	
C.11908	Distance Piece, under Mounting Bracket	9-6	4	
BD.8291/4	Screw, Set, securing Mounting Bracket to Floor		4	
FG.104/X	Washer, Spring, on Setscrews		4	
C.6969	Fulcrum Pin, securing Accelerator Pedal to Mounting Bracket	9-7	1	
C.8737/1	Nut, on Fulcrum Pin		1	
FW.104/T	Washer, Plain, under Nut		1	
C.11671	RUBBER PAD ON ACCELERATOR PEDAL	9-8	1	
C.13532	ACCELERATOR PEDAL SHAFT ASSEMBLY	9-9	1	
C.12486	Roller, on Accelerator Pedal Shaft	9-10	1	
L.102.5/8U	Split Pin, securing Roller to Shaft	9-11	1	
C.386	Special Washer, behind Split Pin	9-12	1	
C.10940/1	RUBBER BUSH FOR ACCELERATOR PEDAL SHAFT	9-13	1	
C.11678	Bearing, inside Rubber Bush	9-14	2	
C.386	Special Washer, behind Bush	9-15	1	
L.102.5/8U	Split Pin, retaining Washer	9-16	1	
C.13316	Distance Washer, at front end of Rubber Bush	9-17	1	
C.13545	Distance Collar, behind Washer	9-18	1	
C.13537	Split Collar, at end of Pedal Shaft	9-19	1	
C.750	Key, retaining Split Collar on Pedal Shaft	9-20	1	
BD.1708/2	Washer, Double Coil Spring, behind Split Collar	9-21	1	
C.386	Special Washer, at end of Pedal Shaft	9-22	1	
L.102.5/8U	Split Pin, through Pedal Shaft	9-23	1	

STANDARD AND OVERDRIVE TRANSMISSION ACCELERATOR CONTROLS

(R.H. DRIVE CARS ONLY)

FITTED FROM CHASSIS NO. 1B.1001 TO 1B.8433, 3-4 LITRE, AND 1B.50001 TO 1B.59478, 3-8 LITRE

Part No.	Description	Plate No.	No. per Unit	Remarks
C.11672	BRACKET MOUNTING ACCELERATOR PEDAL SHAFT	9-24	1	
C.13395	Spacer , for Mounting Bracket	9-25	2	
UFS.125/9R	Screw , Set, securing Mounting Bracket to Dash		2	
FG.105/X	Washer , Spring, on Setscrews		2	
C.8016	Rubber Grommet , in Mounting Bracket	9-26	1	
C.11678	Bearing , in Rubber Grommet.	9-27	1	
C.13536	LEVER ASSEMBLY AT END OF PEDAL SHAFT	9-28	1	
UFS.131/7R	Screw , Set, clamping Lever to Split Collar on Pedal Shaft		1	
FG.105/X	Washer , Spring, on Setscrew		1	
C.15488	STEADY BAR BETWEEN PEDAL SHAFT LEVER AND CONNECTING LINK	9-29	1	
C.11651	CONNECTING LINK ASSEMBLY	9-30	1	
C.11649	Pivot Pin , in Inlet Manifold, holding Connecting Link	9-31	1	
C.725	Washer , Shakeproof, behind Pivot Pin	9-32	1	
L.102.5/8U	Split Pin , securing Connecting Link to Pivot Pin		1	
FW.105/T	Washer , Plain, behind Split Pin		1	
BD.1708/1	Washer , Double Coil Spring, behind Plain Washer		1	
C.15499	BELL CRANK LEVER ASSEMBLY	9-33	1	
UFB.125/8R	Bolt , securing Bell Crank Lever at Fulcrum		1	
C.13561	Special Washer , on Bolt		1	
C.8667/1	Nut , Self-Locking, on Bolt		1	
C.13355	THROTTLE RETURN SPRING BETWEEN CARBURETTER LINKAGE AND BRACKET ON OIL CLEANER		1	} See Also Carburetters and Petrol Filter
C.18065	Bracket , on Bolts securing Oil Cleaner, for Throttle Return Spring		1	
C.14366	THROTTLE RETURN SPRING BETWEEN CARBURETTER LINKAGE AND BRACKET ON FRONT CARBURETTER		1	
C.15549	Bracket Assembly , on Front Carburetter. for Throttle Return Spring		1	

STANDARD AND OVERDRIVE TRANSMISSION

ACCELERATOR CONTROLS (R.H. DRIVE CARS ONLY)

FITTED FROM CHASSIS NO. 1B.1001 TO 1B.8433, 3-4 LITRE, AND 1B.50001 TO 1B.59478, 3-8 LITRE

Part No.	Description	Plate No.	No. per Unit	Remarks
C.15489	CONTROL ROD ASSEMBLY, LINKING PEDAL SHAFT LEVER AND BELL-CRANK LEVER	9-34	1	
L.102.5/8U	Split Pin , securing Control Rod to Levers		2	
FW.104/T	Washer , Plain, behind Split Pins		2	
BD.1708/5	Washer , Double Coil Spring, behind Plain Washers		2	

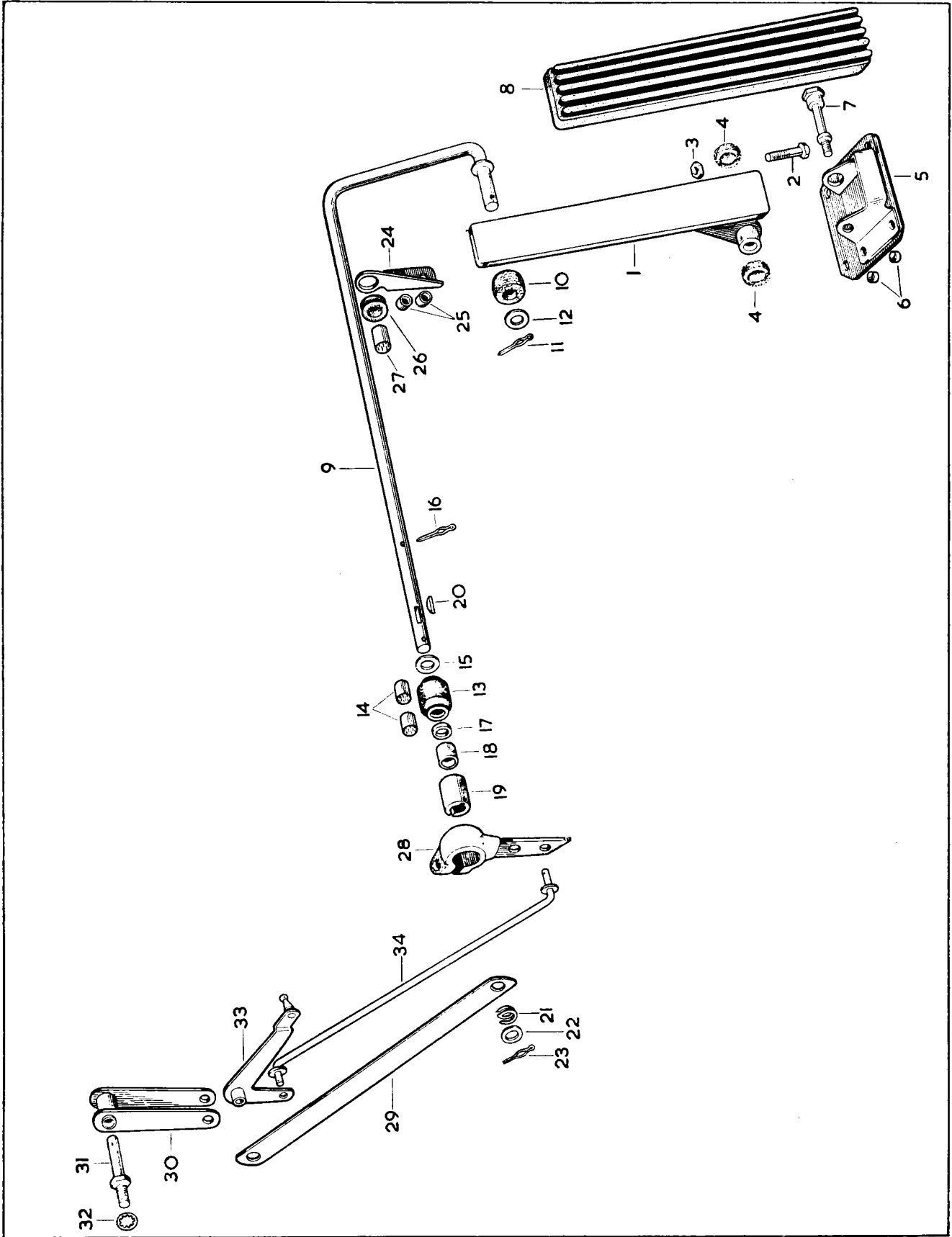


PLATE 9

STANDARD AND OVERDRIVE TRANSMISSION

ACCELERATOR CONTROLS (R.H. DRIVE CARS ONLY)

FITTED TO CHASSIS NO. 1B.8434 AND SUBS., 3-4 LITRE, AND 1B.59479 AND SUBS., 3-8 LITRE

Part No.	Description	Plate No.	No. per Unit	Remarks
C.28074	ACCELERATOR PEDAL ASSEMBLY	10-1	1	
C.28068	BRACKET, MOUNTING ACCELERATOR PEDAL TO FLOOR	10-2	1	
C.11908	Distance Piece, under Mounting Bracket	10-3	4	
BD.8291/4	Screw, Set, securing Mounting Bracket to Floor		4	
FG.104/X	Washer, Spring, on Setscrews		4	
C.27346	Fulcrum Pin, securing Accelerator Pedal to Mounting Bracket	10-4	1	
C.8737/1	Nut, Self-Locking, on Fulcrum Pin		1	
FW.104/T	Washer, Plain, under Nut		1	
C.11671	PAD (RUBBER) ON ACCELERATOR PEDAL	10-5	1	
C.28072	LINK ASSEMBLY, CONNECTING ACCELERATOR PEDAL TO ACCELERATOR PEDAL SHAFT	10-6	1	
L.103/5U	Split Pin, securing Link to Pedal and Shaft		2	
FW.104/T	Washer, Plain, behind Split Pins		2	
BD.1708/5	Washer, Double Coil Spring, behind Plain Washers		2	
C.28076	ACCELERATOR PEDAL SHAFT ASSEMBLY	10-7	1	
C.10940/1	BUSH (RUBBER) IN DASH, MOUNTING ACCELERATOR PEDAL SHAFT	10-8	1	
C.11678	Bearing, inside Bush	10-9	2	
C.386	Washer, Special, behind Bush	10-10	1	
L.102.5/8U	Split Pin, retaining Washer	10-11	1	
C.13316	Distance Washer, at front end of Bush	10-12	1	
C.13545	Distance Collar, behind Washer	10-13	1	
C.13537	Split Collar, at end of Pedal Shaft	10-14	1	
C.750	Key, retaining Split Collar on Pedal Shaft	10-15	1	
BD.1708/2	Washer, Double Coil Spring, behind Split Collar		1	
C.386	Washer, Special, at end of Pedal Shaft		1	
L.102.5/8U	Split Pin, through Pedal Shaft		1	

STANDARD AND OVERDRIVE TRANSMISSION ACCELERATOR CONTROLS (R.H. DRIVE CARS ONLY)

FITTED TO CHASSIS NO. 1B.8434 AND SUBS., 3-4 LITRE, AND 1B.59479 AND SUBS., 3-8 LITRE

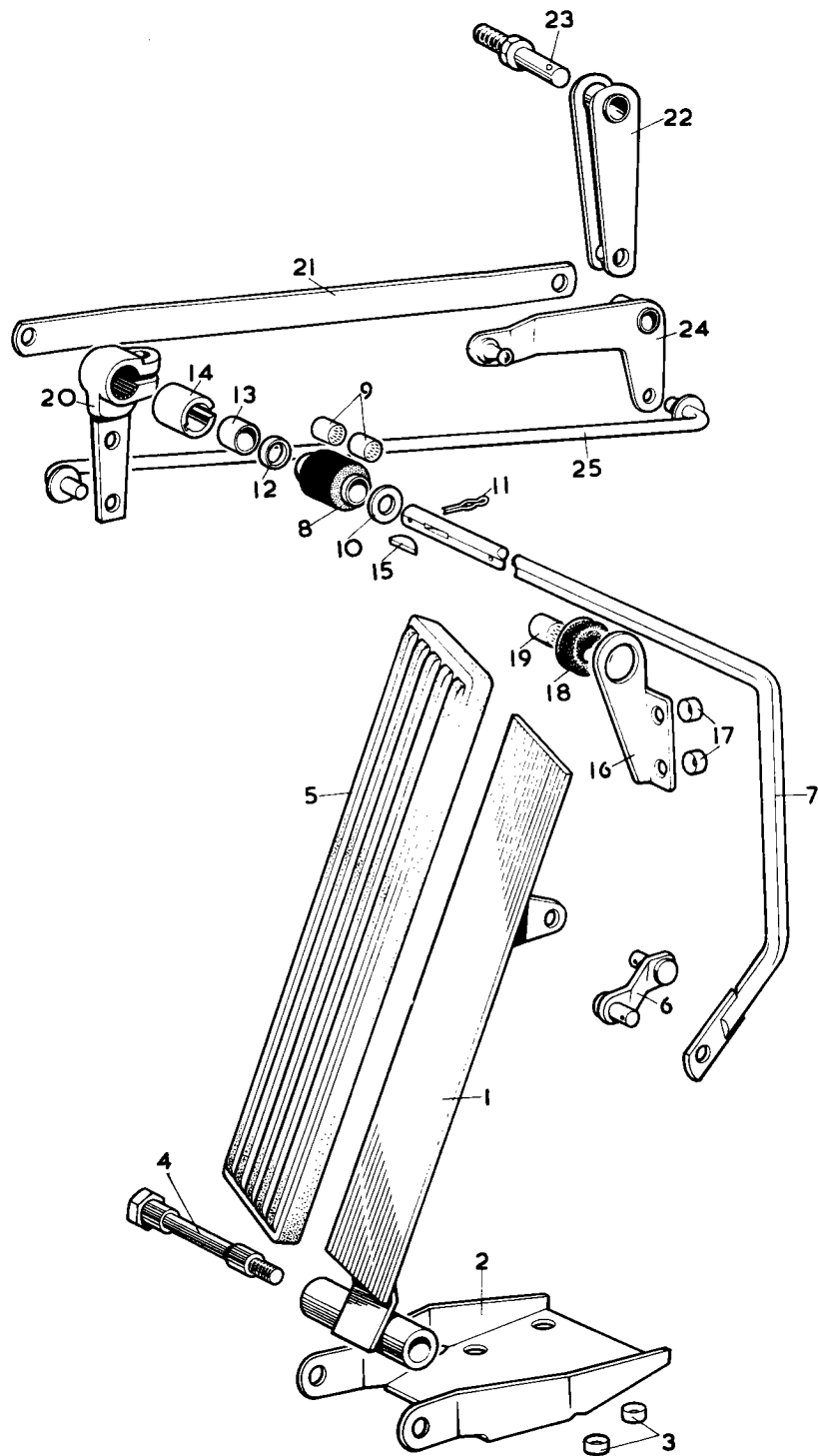
Part No.	Description	Plate No.	No. per Unit	Remarks
C.11672	BRACKET ON DASH, MOUNTING ACCELERATOR PEDAL SHAFT	10-16	1	
C.13395	Distance Piece , behind Mounting Bracket	10-17	2	
UFS.125/9R	Screw , Set, securing Mounting Brackets to Dash		2	
FG.104/X	Washer , Spring, on Setscrews		2	
C.8016	Grommet (Rubber) in Mounting Bracket	10-18	1	
C.11678	Bearing , in Grommet	10-19	1	
C.13536	LEVER, AT END OF ACCELERATOR PEDAL SHAFT	10-20	1	
UFS.131/7R	Screw , Set, clamping Lever to Split Collar on Pedal Shaft		1	
FG.105/X	Washer , Spring, on Setscrew		1	
C.26413	STEADY BAR BETWEEN ACCELERATOR PEDAL SHAFT AND CONNECTING LINK	10-21	1	
C.11651	CONNECTING LINK ASSEMBLY	10-22	1	
C.11649	Pivot Pin , in Inlet Manifold, holding Connecting Link	10-23	1	
FG.105/X	Washer , Spring, behind Pivot Pin		1	
L.102.5/8U	Split Pin , securing Connecting Link to Pivot Pin		1	
FW.105/T	Washer , Plain, behind Split Pin		1	
BD.1708/1	Washer , Double Coil Spring, behind Plain Washer		1	
C.15499	BELL CRANK LEVER ASSEMBLY	10-24	1	
UFB.125/8R	Bolt , securing Bell Crank Lever and Steady Bar in Connecting Link		1	
C.13561	Spacing Washer , between Bell Crank Lever and Steady Bar		1	
C.8667/1	Nut , Self-Locking, on Bolt		1	

STANDARD AND OVERDRIVE TRANSMISSION

ACCELERATOR CONTROLS (R.H. DRIVE CARS ONLY)

FITTED TO CHASSIS NO. 1B.8434 AND SUBS., 3-4 LITRE, AND 1B.59479 AND SUBS., 3-8 LITRE

Part No.	Description	Plate No.	No. per Unit	Remarks
C.26411	CONTROL ROD ASSEMBLY, LINKING PEDAL SHAFT LEVER AND BELL CRANK LEVER	10-25	1	
L.103/7U	Split Pin, securing Control Rod to Levers		2	
FW.104/T	Washer, Plain, behind Split Pin		2	
BD.1708/5	Washer, Double Coil Spring, behind Plain Washers		2	



JSP 237

STANDARD AND OVERDRIVE TRANSMISSION ACCELERATOR CONTROLS

(L.H. DRIVE CARS ONLY)

FITTED FROM CHASSIS NO. 1B.25001 TO 1B.26212 3-4 LITRE AND 1B.75001 TO 1B.80271 3-8 LITRE

Part No.	Description	Plate No.	No. per Unit	Remarks
C.13934	ACCELERATOR PEDAL ASSEMBLY	11-1	1	
UFS.125/11R	Screw, Set, restricting Pedal Travel	11-2	1	
UFN.125/L	Nut, on Setscrew	11-3	1	
C.3479	Felt Washer, at each side of Pedal Boss	11-4	2	
C.13387	BRACKET ASSEMBLY, MOUNTING ACCELERATOR PEDAL TO FLOOR	11-5	1	
BD.8291/2	Screw, Set, securing Mounting Bracket to Floor		4	
FG.104/X	Washer, Spring, on Setscrews		4	
C.6969	Fulcrum Pin, securing Accelerator Pedal to Mounting Bracket	11-6	1	
C.8737/1	Nut, on Fulcrum Pin		1	
FW.104/T	Washer, Plain, under Nut		1	
C.11671	RUBBER PAD ON ACCELERATOR PEDAL	11-7	1	
C.22246	ACCELERATOR PEDAL SHAFT ASSEM- BLY	11-8	1	
C.12486	Roller, on Accelerator Pedal Shaft	11-9	1	
L.102.5/8U	Split Pin, securing Roller to Shaft	11-10	1	
C.386	Special Washer, behind Split Pin	11-11	1	
BD.1814/2	Pop Rivet, securing Pedal Housing to L.H. side of Dash		3	
C.13536	THROTTLE LEVER AT R.H. SIDE OF PEDAL SHAFT	11-12	1	
UFS.131/7R	Screw, Set, securing Throttle Lever to Pedal Shaft		1	
FG.105/X	Washer, Spring, on Setscrew		1	
C.13308	SPHERICAL BEARING ASSEMBLY, FOR PEDAL SHAFT, ON R.H. SIDE OF DASH	11-13	1	
BD.1814/2	Pop Rivet, securing Spherical Bearing to R.H. side of Dash		3	
C.13316	Distance Piece, behind Bearing on Pedal Shaft, at R.H. side of Dash	11-14	1	
BD.1708/2	Washer, Double Coil Spring, behind Distance Piece	11-15	1	
FW.106/T	Washer, Plain, behind Spring Washer	11-16	1	
L.102.5/6U	Split Pin, through Pedal Shaft	11-17	1	

STANDARD AND OVERDRIVE TRANSMISSION

ACCELERATOR CONTROLS (L.H. DRIVE CARS ONLY)

FITTED FROM CHASSIS NO. 1B.25001 TO 1B.26212 3·4 LITRE AND 1B.75001 TO 1B.80271 3·8 LITRE

Part No.	Description	Plate No.	No. per Unit	Remarks
C.15493	STEADY BAR, BETWEEN CROSS SHAFT HOUSING AND CONNECTING LINK	11-18	1	
C.11651	CONNECTING LINK ASSEMBLY	11-19	1	
C.11649	Pivot Pin , in Inlet Manifold, holding Connecting Link	11-20	1	
C.725	Washer , Shakeproof, behind Pivot Pin	11-21	1	
L.102.5/8U	Split Pin , securing Connecting Link to Pivot Pin		1	
FW.105/T	Washer , Plain, behind Split Pin		1	
BD.1708/1	Washer , Double Coil Spring, behind Plain Washer		1	
C.15499	BELL CRANK LEVER ASSEMBLY	11-22	1	
UFB.125/8R	Bolt , securing Bell Crank Lever at Fulcrum		1	
C.13561	Special Washer , on Bolt		1	
C.8667/1	Nut , Self-Locking, on Bolt		1	
C.15495	CONTROL ROD ASSEMBLY, LINKING CROSS SHAFT LEVER AND BELL CRANK LEVER	11-23	1	
L.103/7U	Split Pin , securing Control Rod to Levers		2	
FW.104/T	Washer , Plain, behind Split Pins		2	
BD.1708/5	Washer , Double Coil Spring, behind Plain Washers		2	
C.14366	THROTTLE RETURN SPRING BETWEEN CARBURETTER LINKAGE AND BRACKET ON FRONT CARBURETTER		1	} See also Carburetters and Petrol Filter
C.15549	Bracket Assembly , on Front Carburetter, for Throttle Return Spring		1	
C.13355	THROTTLE RETURN SPRING BETWEEN CARBURETTER LINKAGE AND BRACKET ON OIL CLEANER		1	
C.18065	Bracket , on Bolts securing Oil Cleaner, for Throttle Return Spring		1	

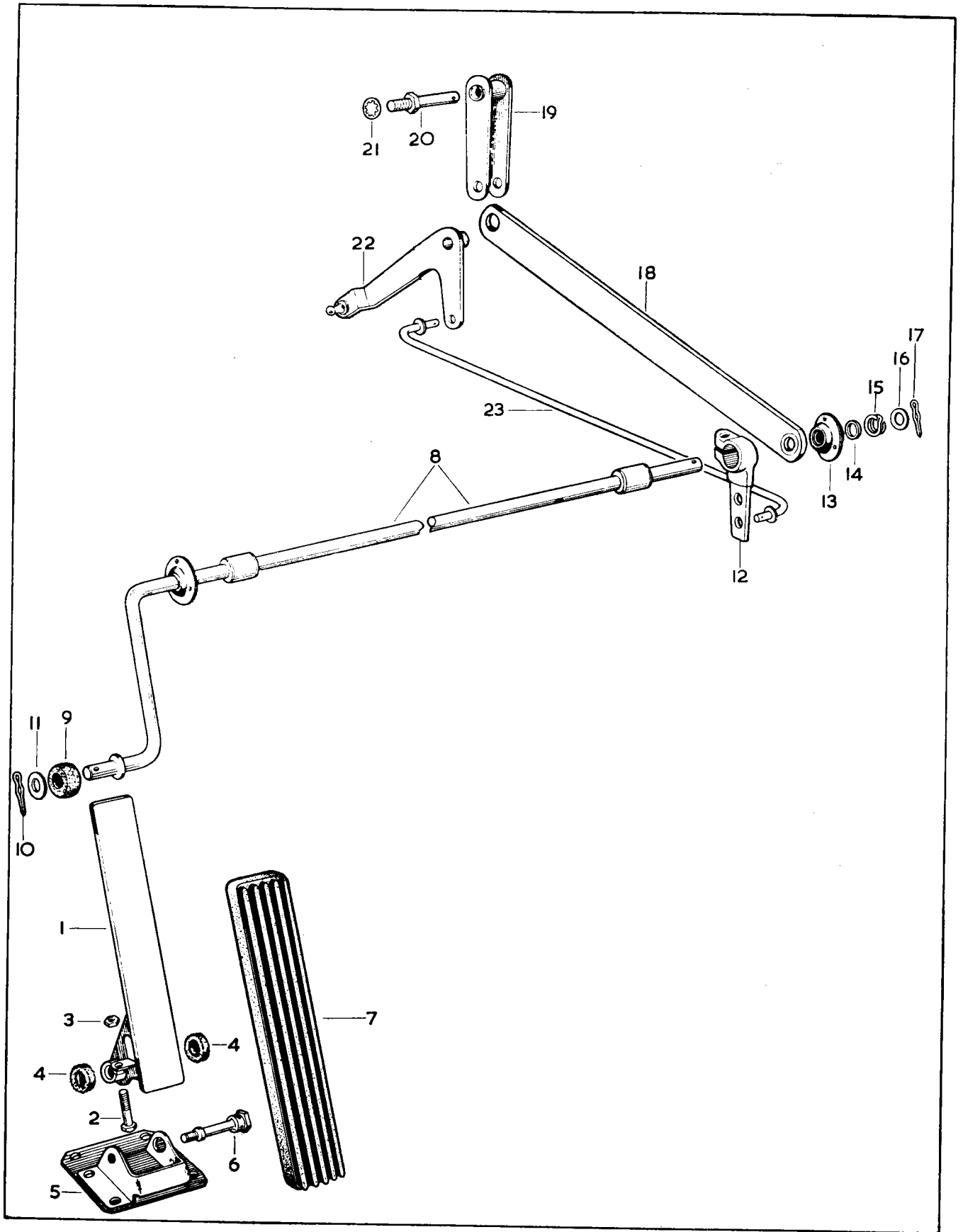


PLATE 11

STANDARD AND OVERDRIVE TRANSMISSION
ACCELERATOR CONTROLS (L.H. DRIVE CARS ONLY)
FITTED TO CHASSIS NO. 1B.26213 AND SUBS., 3-4 LITRE, AND 1B.80272 AND SUBS., 3-8 LITRE

Part No.	Description	Plate No.	No. per Unit	Remarks
C.28077	ACCELERATOR PEDAL ASSEMBLY	12-1	1	
C.28068	BRACKET, MOUNTING ACCELERATOR PEDAL TO FLOOR	12-2	1	
B.8291/2 FG.104/X	Screw , Set, securing Mounting Bracket to Floor Washer , Spring, on Setscrews		4 4	
C.27346	Fulcrum Pin , securing Accelerator Pedal to Mounting Bracket	12-3	1	
C.8737/1 FW.104/T	Nut , Self-Locking, on Fulcrum Pin Washer , Plain, under Nut		1 1	
C.11671	PAD (RUBBER) ON ACCELERATOR PEDAL	12-4	1	
C.28072	LINK ASSEMBLY, CONNECTING ACCELERATOR PEDAL TO ACCELERATOR PEDAL SHAFT	12-5	1	
L.103/5U FW.104/T BD.1708/5	Split Pin , securing Link to Pedal and Shaft Washer , Plain, behind Split Pins Washer , Double Coil Spring, behind Plain Washer		2 2 2	
C.28078	ACCELERATOR PEDAL SHAFT ASSEMBLY	12-6	1	
BD.1814/6	Pop Rivet , securing Pedal Shaft Bearing Housing to L.H. side of Dash		3	
C.13536	LEVER, AT END OF ACCELERATOR PEDAL SHAFT	12-7	1	
UFS.131/7R FG.105/X	Screw , Set, clamping Lever to Split Collar on Pedal Shaft Washer , Spring, on Setscrew		1 1	
C.13308	BEARING HOUSING ASSEMBLY ON R.H. SIDE OF DASH FOR ACCELERATOR PEDAL SHAFT	12-8	1	
BD.1814/6	Pop Rivet , securing Housing to Dash		3	
C.13316	Distance Piece , behind Bearing Housing on Pedal Shaft at R.H. side of Dash	12-9	1	
BD.1708/2 FW.106/T L.102.5/6U	Washer , Double Coil Spring, behind Distance Piece Washer , Plain, behind Spring Washer Split Pin , through Pedal Shaft		1 1 1	

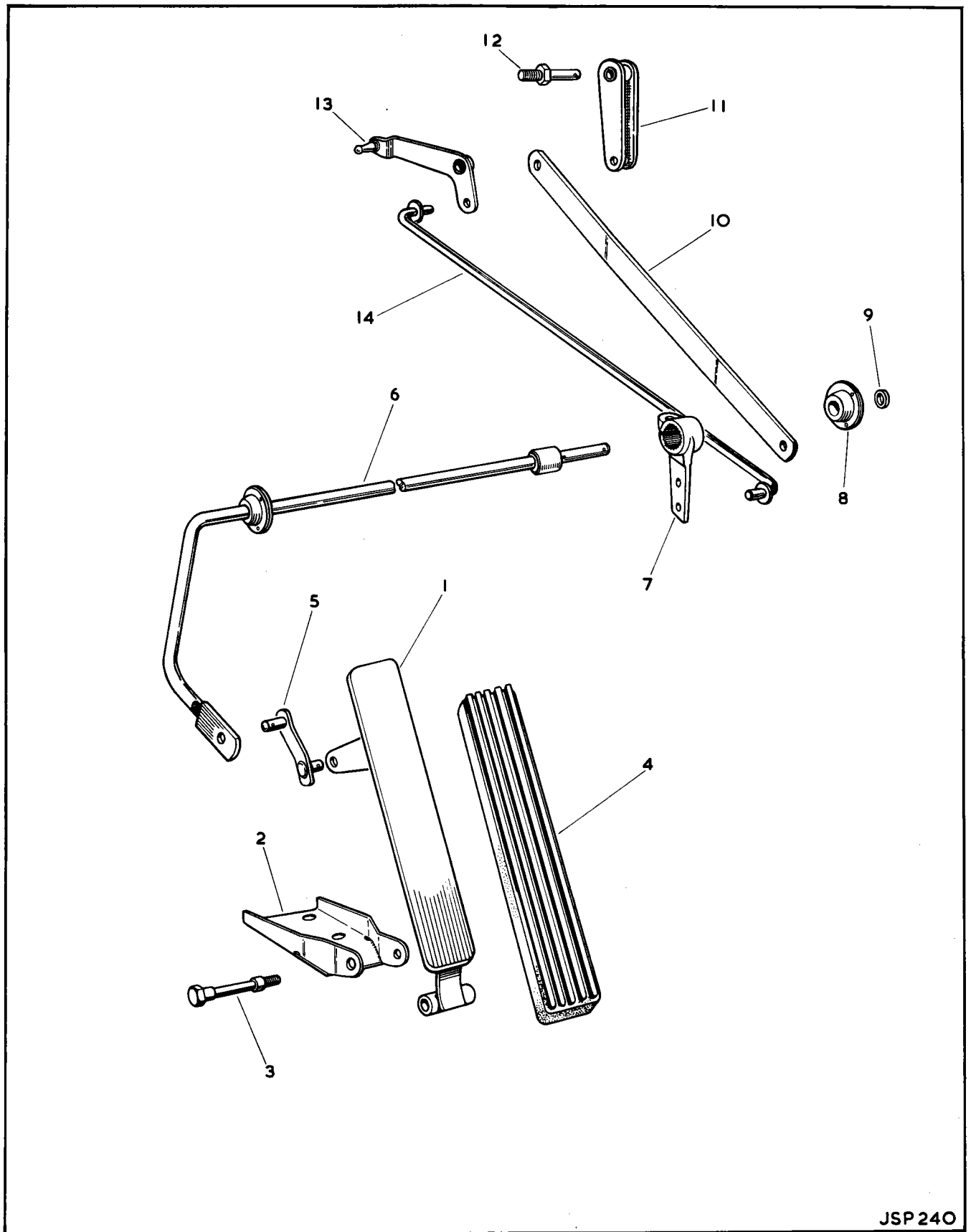
STANDARD AND OVERDRIVE TRANSMISSION

ACCELERATOR CONTROLS

(L.H. DRIVE CARS ONLY)

FITTED TO CHASSIS NO. 1B.26213 AND SUBS., 3·4 LITRE, AND 1B.80272 AND SUBS., 3·8 LITRE

Part No.	Description	Plate No.	No. per Unit	Remarks
C.27706	STEADY BAR ASSEMBLY, BETWEEN ACCELERATOR PEDAL SHAFT AND CONNECTING LINK	12-10	1	
C.11651	CONNECTING LINK ASSEMBLY	12-11	1	
C.11649	Pivot Pin , in Inlet Manifold, holding Connecting Link	12-12	1	
C.725	Washer , Shakeproof, behind Pivot Pin		1	
L.102.5/8U	Split Pin , securing Connecting Link to Pivot Pin		1	
FW.105/T	Washer , Plain, behind Split Pin		1	
BD.1708/1	Washer , Double Coil Spring, behind Plain Washer		1	
C.15499	BELL CRANK LEVER ASSEMBLY	12-13	1	
UFB.125/8R	Bolt , securing Bell Crank Lever and Steady Bar in Connecting Link		1	
C.13561	Spacing Washer , between Bell Crank Lever and Steady Bar		1	
C.8667/1	Nut , Self-Locking, on Bolt		1	
C.29153	CONTROL ROD ASSEMBLY, LINKING PEDAL SHAFT LEVER AND BELL CRANK LEVER	12-14	1	
L.103/7U	Split Pin , securing Control Rod to Levers		2	
FW.104/T	Washer , Plain, behind Split Pin		2	
BD.1708/5	Washer , Double Coil Spring, behind Plain Washers		2	



JSP240

PLATE 12

AUTOMATIC TRANSMISSION

ACCELERATOR CONTROLS (R.H. DRIVE CARS ONLY)

FITTED FROM CHASSIS NO. 1B.1001 TO 1B.8433, 3-4 LITRE, AND 1B.50001 TO 1B.59478, 3-8 LITRE

Part No.	Description	Plate No.	No. per Unit	Remarks
C.13622	ACCELERATOR PEDAL ASSEMBLY	13-1	1	
UFS.125/11R	Screw, Set, restricting Pedal Travel	13-2	1	
UFN.125/L	Nut, on Setscrew	13-3	1	
C.3479	Felt Washer, at each side of Pedal Boss	13-4	2	
C.23477	BRACKET ASSEMBLY, MOUNTING ACCELERATOR PEDAL TO FLOOR	13-5	1	
C.11908	Distance Piece, under Mounting Bracket	13-6	4	
BD.8291/4	Screw, Set, securing Mounting Bracket to Floor		4	
FG.104/X	Washer, Spring, on Setscrews		4	
C.6969	Fulcrum Pin, securing Accelerator Pedal to Mounting Bracket	13-7	1	
C.8737/1	Nut, on Fulcrum Pin		1	
FW.104/T	Washer, Plain, under Nut		1	
C.11671	RUBBER PAD ON ACCELERATOR PEDAL	13-8	1	
C.13532	PEDAL SHAFT ASSEMBLY	13-9	1	
C.12486	Roller, on Pedal Shaft	13-10	1	
L.102.5/8U	Split Pin, retaining Roller on Shaft	13-11	1	
C.386	Special Washer, behind Split Pin	13-12	1	
C.10940/1	RUBBER BUSH FOR PEDAL SHAFT	13-13	1	
C.11678	Bearing, inside Rubber Bush	13-14	2	
C.386	Special Washer, behind Bush	13-15	1	
L.102.5/8U	Split Pin, retaining Washer	13-16	1	
C.13316	Distance Washer, at front of Rubber Bush	13-17	1	
C.13545	Distance Collar, behind Washer	13-18	1	
C.13537	Split Collar, at end of Pedal Shaft	13-19	1	
C.750	Key, retaining Split Collar	13-20	1	
BD.1708/2	Washer, D.C. Spring, at end of Pedal Shaft	13-21	1	
C.386	Special Washer, behind Spring Washer	13-22	1	
L.102.5/8U	Split Pin, through end of Pedal Shaft	13-23	1	
C.11672	BRACKET FOR MOUNTING OF PEDAL SHAFT	13-24	1	
C.13395	Spacer, for Mounting Bracket	13-25	2	
UFS.125/9R	Screw, Set, securing Mounting Bracket to Dash		2	
FG.104/X	Washer, Spring, on Setscrews.		2	
C.8016	Rubber Grommet, in Mounting Bracket	13-26	1	
C.11678	Bearing, in Rubber Grommet	13-27	1	

AUTOMATIC TRANSMISSION

ACCELERATOR CONTROLS

(R.H. DRIVE CARS ONLY)

FITTED FROM CHASSIS NO. 1B.1001 TO 1B.8433, 3-4 LITRE, AND 1B.50001 TO 1B.59478, 3-8 LITRE

Part No.	Description	Plate No.	No. per Unit	Remarks
C.13536	LEVER AT END OF PEDAL SHAFT	13-28	1	
UFS.131/7R FG.105/X	Screw, Set, clamping Lever to Split Collar on Shaft Washer, Spring, on Setscrew		1 1	
C.13530	CROSS SHAFT ASSEMBLY FOR KICK-DOWN CONTROL	13-29	1	
C.13308	Spherical Bearing, for Cross Shaft	13-30	2	
BD.1814/2	Pop Rivet, securing Spherical Bearing to L.H. side of Dash		6	
C.13545	Distance Collar (Thick) for Cross Shaft Mounting	13-31	1	
C.13316	Distance Collar (Thin) for Cross Shaft Mounting	13-32	1	
BD.1708/2	Washer, Double Coil Spring, on Cross Shaft		1	
FW.106/T	Washer, Plain, under Double Coil Spring Washer		1	
L.102.5/8U	Split Pin, retaining Cross Shaft		1	
C.13536	CROSS SHAFT LEVER FOR KICK-DOWN CONTROL	13-33	1	
UFS.131/7R FG.105/X	Screw, Set, securing Lever to Cross Shaft Washer, Spring, on Bolt		1 1	
C.17687	KICK-DOWN LEVER ASSEMBLY	13-34	1	
UFS.131/7R FG.105/X	Screw, Set, securing Lever to Cross Shaft Washer, Spring, on Setscrew		1 1	
C.17689	KICK-DOWN CONTROL ROD FROM LEVER TO TRANSMISSION UNIT	13-35	1	
C.13309	Felt Washer, at each side of Kick-Down Lever and Lever on Unit		4	
AW.102/T	Washer, Plain, between Felt Washers and Split Pin		2	
L.102/4U	Split Pin, securing Kick-Down Control Rod		2	
C.13538	CONTROL ROD ASSEMBLY, LINKING CROSS SHAFT AND KICK-DOWN LEVERS	13-36	1	
L.103/7U	Split Pin, securing Control Rod to Levers		2	
FW.104/T	Washer, Plain, behind Split Pins		2	
BD.1708/5	Washer, D.C. Spring, behind Plain Washers		2	

AUTOMATIC TRANSMISSION ACCELERATOR CONTROLS

(R.H. DRIVE CARS ONLY)

FITTED FROM CHASSIS NO. 1B.1001 TO 1B.8433, 3-4 LITRE, AND 1B.50001 TO 1B.59478, 3-8 LITRE

Part No.	Description	Plate No.	No. per Unit	Remarks
C.15491	LOWER CONTROL ROD ASSEMBLY FROM CROSS SHAFT LEVER TO KICK-DOWN FORK	13-37	1	
C.13358	Fork , on Lower Control Rod	13-38	1	
C.6925	Spring , in Fork	13-39	1	
C.13361	Washer , Plain, under Spring	13-40	1	
L.103/7U	Split Pin , securing Spring and Plain Washers to Lower Control Rod	13-41	1	
J.104/12.5S	Clevis Pin , fixing Fork to Bell Crank	13-42	1	
BD.1708/4	Washer , Double Coil Spring, each side of Bell Crank	13-43	2	
FW.104/T	Washer , Plain, under Split Pin	13-44	1	
L.102/4U	Split Pin , securing Clevis Pin		1	
BD.1708/5	Washer , Double Coil Spring, at side of Lever on Accelerator Pedal Shaft		1	
FW.104/T	Washer , Plain, under Split Pin		1	
L.103/7U	Split Pin , securing Lower Control Rod to Lever on Accelerator Pedal Shaft		1	
C.15488	STEADY BAR, BETWEEN PEDAL SHAFT LEVER AND CONNECTING LINK	13-45	1	
C.11651	CONNECTING LINK ASSEMBLY	13-46	1	
C.11649	Pivot Pin , in Inlet Manifold, holding Connecting Link	13-47	1	
C.725	Washer , Shakeproof, behind Pivot Pin	13-48	1	
L.102.5/8U	Split Pin , securing Connecting Link to Pivot Pin		1	
FW.105/T	Washer , Plain, behind Split Pin		1	
BD.1708/1	Washer , Double Coil Spring, behind Plain Washer		1	
C.15499	BELL CRANK LEVER ASSEMBLY	13-49	1	
UFB.125/8R	Bolt , securing Bell Crank Lever at Fulcrum	13-50	1	
C.13561	Special Washer , on Bolt	13-51	1	
C.8667/1	Nut , Self-Locking, on Bolt	13-52	1	
C.14366	THROTTLE RETURN SPRING, BETWEEN CARBURETTER LINKAGE AND BRACKET ON FRONT CARBURETTER		1	} See also Carburetters and Petrol Filter
C.15549	Bracket Assembly , on Front Carburetter, for Throttle Return Spring		1	
C.13355	THROTTLE RETURN SPRING, BETWEEN CARBURETTER LINKAGE AND BRACKET ON OIL CLEANER		1	
C.18065	Bracket , on Bolts securing Oil Cleaner, for Throttle Return Spring		1	

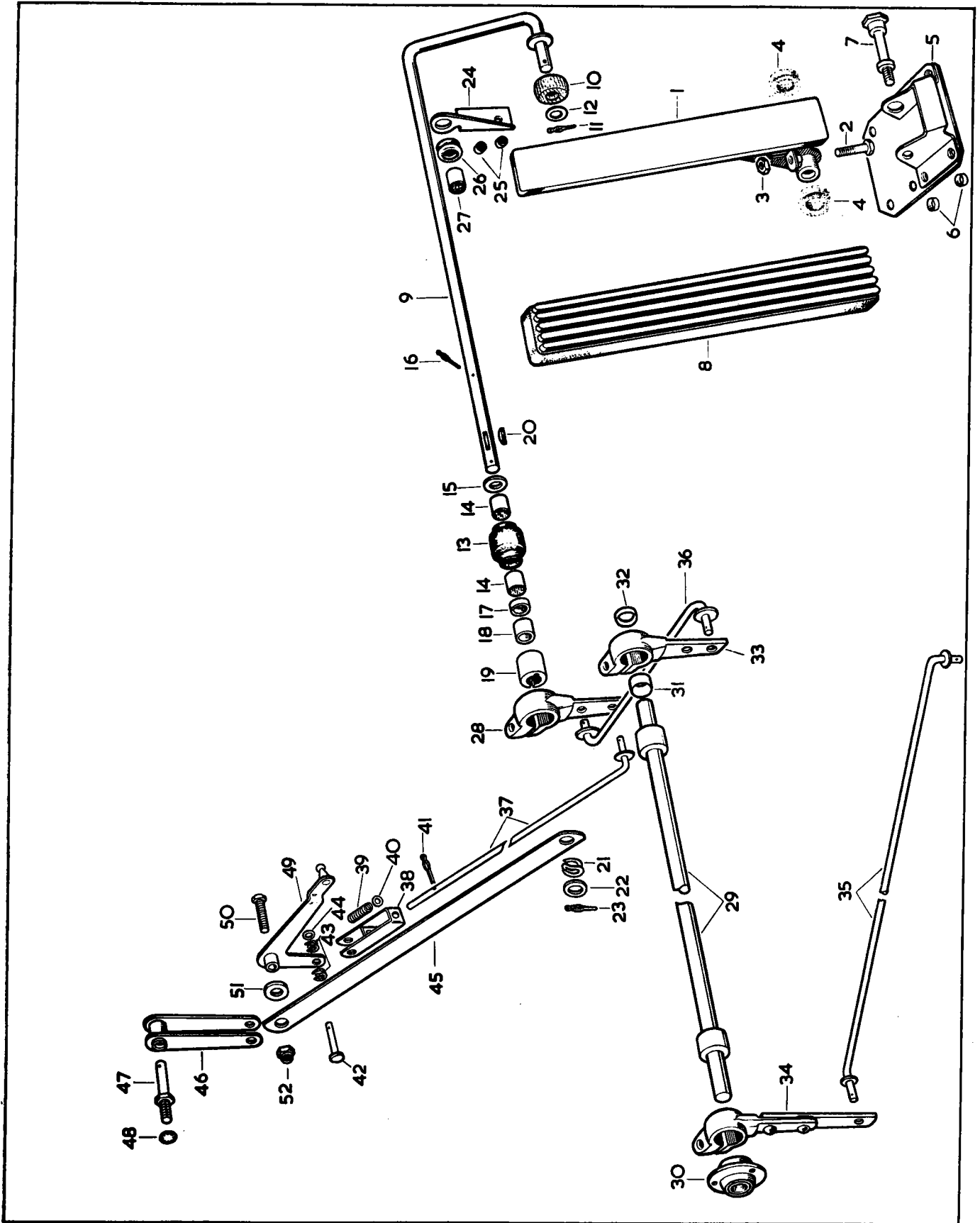


PLATE 13

AUTOMATIC TRANSMISSION
ACCELERATOR CONTROLS (R.H. DRIVE CARS ONLY)
 FITTED TO CHASSIS NO. 1B.8434 AND SUBS., 3.4 LITRE, AND 1B.59479 AND SUBS., 3.8 LITRE

Part No.	Description	Plate No.	No. per Unit	Remarks
C.28074	ACCELERATOR PEDAL ASSEMBLY	14-1	1	
C.28068	BRACKET, MOUNTING ACCELERATOR PEDAL TO FLOOR	14-2	1	
C.11908	Distance Piece, under Mounting Bracket	14-3	4	
BD.8291/4	Screw, Set, securing Mounting Bracket to Floor		4	
FG.104/X	Washer, Spring, on Setscrews		4	
C.27346	Fulcrum Pin, securing Accelerator Pedal to Mounting Bracket	14-4	1	
C.8737/1	Nut, Self-Locking, on Fulcrum Pin		1	
FW.104/T	Washer, Plain, under Nut		1	
C.11671	PAD (RUBBER) ON ACCELERATOR PEDAL	14-5	1	
C.28072	LINK ASSEMBLY, CONNECTING ACCELERATOR PEDAL TO ACCELERATOR PEDAL SHAFT	14-6	1	
L.103/5U	Split Pin, securing Link to Pedal and Shaft		2	
FW.104/T	Washer, Plain, behind Split Pins		2	
BD.1708/5	Washer, Double Coil Spring, behind Plain Washer		2	
C.28076	ACCELERATOR PEDAL SHAFT ASSEMBLY	14-7	1	
C.10940/1	BUSH (RUBBER) IN DASH, MOUNTING ACCELERATOR PEDAL SHAFT	14-8	1	
C.11678	Bearing, inside Bush	14-9	2	
C.386	Washer, Special, behind Bush	14-10	1	
L.102.5/8U	Split Pin, retaining Washer	14-11	1	
C.13316	Distance Washer, at front end of Bush	14-12	1	
C.13545	Distance Collar, behind Washer	14-13	1	
C.13537	Split Collar, at end of Pedal Shaft	14-14	1	
C.750	Key, retaining Split Collar on Pedal Shaft	14-15	1	
BD.1708/2	Washer, Double Coil Spring, behind Split Collar		1	
C.386	Washer, Special, at end of Pedal Shaft		1	
L.102.5/8U	Split Pin, through Pedal Shaft		1	

AUTOMATIC TRANSMISSION

ACCELERATOR CONTROLS (R.H. DRIVE CARS ONLY)

FITTED TO CHASSIS NO. 1B.8434 AND SUBS., 3-4 LITRE, AND 1B.59479 AND SUBS., 3-8 LITRE

Part No.	Description	Plate No.	No. per Unit	Remarks
C.11672	BRACKET, ON DASH, MOUNTING ACCELERATOR PEDAL SHAFT	14-16	1	
C.13395	Distance Piece, behind Mounting Bracket	14-17	2	
UFS.125/9R	Screw, Set, securing Mounting Bracket to Dash		2	
FG.104/X	Washer, Spring, on Setscrews		2	
C.8016	Grommet (Rubber) in Mounting Bracket	14-18	1	
C.11678	Bearing, in Grommet	14-19	1	
C.13536	LEVER, AT END OF ACCELERATOR PEDAL SHAFT	14-20	1	
UFS.131/7R	Screw, Set, clamping Lever to Split Collar on Pedal Shaft		1	
FG.105/X	Washer, Spring, on Setscrew		1	
C.26413	STEADY BAR, BETWEEN ACCELERATOR PEDAL SHAFT AND CONNECTING LINK	14-21	1	
C.11651	CONNECTING LINK ASSEMBLY	14-22	1	
C.11649	Pivot Pin, in Inlet Manifold, holding Connecting Link	14-23	1	
FG.105/X	Washer, Spring, behind Pivot Pin		1	
L.102.5/8U	Split Pin, securing Connecting Link to Pivot Pin		1	
FW.105/T	Washer, Plain, behind Split Pin		1	
BD.1708/1	Washer, Double Coil Spring, behind Plain Washer		1	
C.15499	BELL CRANK LEVER ASSEMBLY	14-24	1	
UFB.125/8R	Bolt, securing Bell Crank Lever and Steady Bar in Connecting Link		1	
C.13561	Spacing Washer, between Bell Crank Lever and Steady Bar		1	
C.8667/1	Nut, Self-Locking, on Bolt		1	
C.26411	CONTROL ROD ASSEMBLY, LINKING PEDAL SHAFT LEVER AND BELL CRANK LEVER	14-25	1	
L.103/7U	Split Pin, securing Control Rod to Levers		2	
FW.104/T	Washer, Plain, behind Split Pin		2	
BD.1708/5	Washer, Double Coil Spring, behind Plain Washer		2	

AUTOMATIC TRANSMISSION**ACCELERATOR CONTROLS** (R.H. DRIVE CARS ONLY)

FITTED TO CHASSIS NO. 1B.8434 AND SUBS., 3-4 LITRE, AND 1B.59479 AND SUBS., 3-8 LITRE

Part No.	Description	Plate No.	No. per Unit	Remarks
C.28426	KICK-DOWN SHAFT AND SUPPORT BRACKET ASSEMBLY, ON REAR CARBURETTER UPPER STUDS	14-26	1	
C.26558	CONTROL ROD, LINKING LEVER ON REAR CARBURETTER AND LEVER ON KICK-DOWN SHAFT	14-27	1	
C.13824	Clip, securing Control Rod to Levers	14-28	2	
C.26839	KICK-DOWN CABLE ASSEMBLY, FROM OPERATING LEVER TO TRANSMISSION UNIT	14-29	1	
C.15830	Washer, Special, between Cable Trunnion and Support Bracket		1	
C.8737/9	Nut, Self-Locking, securing Cable Trunnion to Support Bracket		1	
C.22128	Washer, Special, under Nut		1	
J.103/8S	Clevis Pin, securing Cable Assembly to Operating Lever	14-30	1	
C.15830	Washer, Special, on Clevis Pin	14-31	1	
L.102/4U	Split Pin, securing Clevis Pin	14-32	1	
BD.541/28	Washer, Special, behind Split Pin	14-33	1	

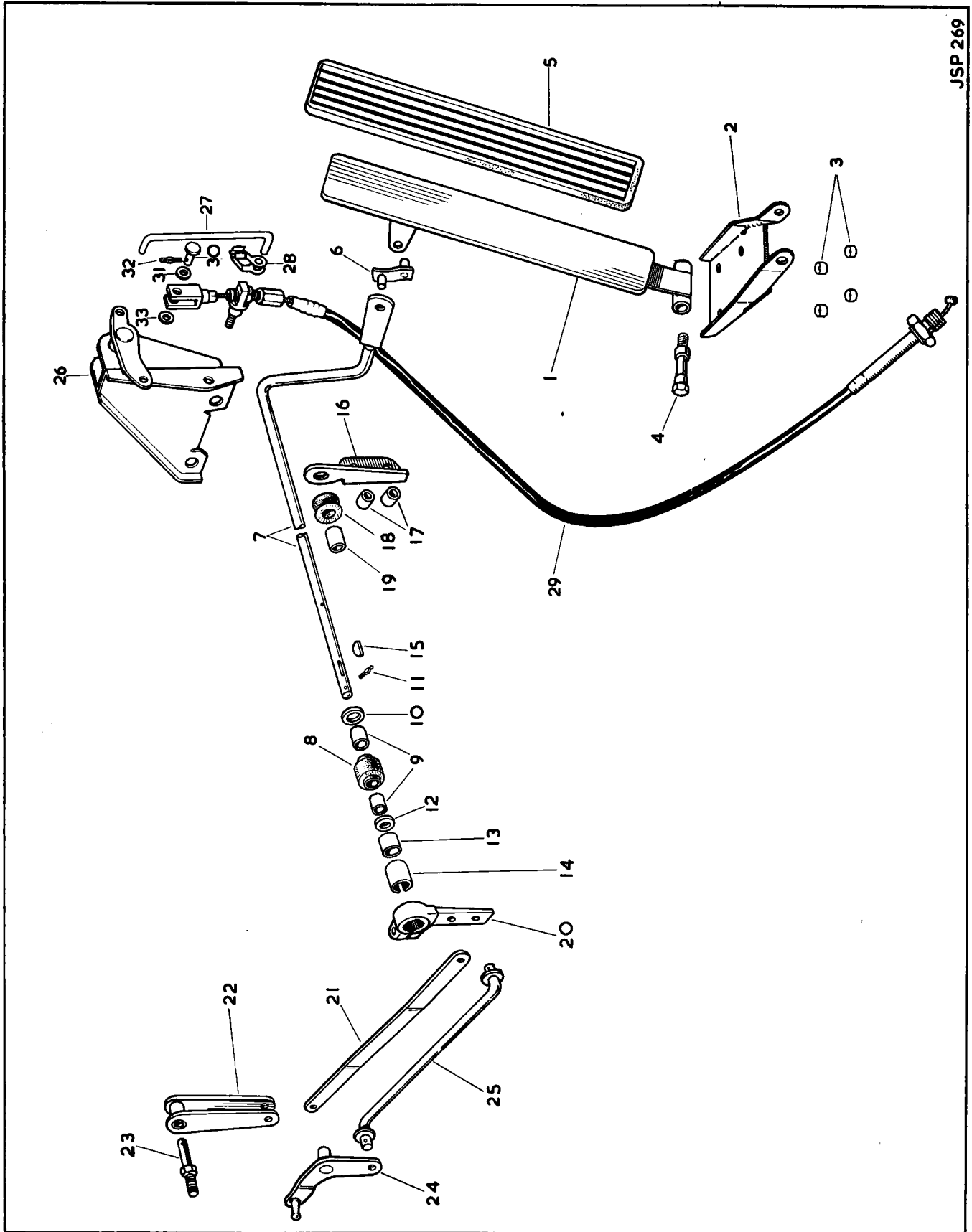


PLATE 14

AUTOMATIC TRANSMISSION

ACCELERATOR CONTROLS (L.H. DRIVE CARS ONLY)

FITTED FROM CHASSIS NO. 1B.25001 TO 1B.26212, 3-4 LITRE AND 1B.75001 TO 1B.80271, 3-8 LITRE

Part No.	Description	Plate No.	No. per Unit	Remarks
C.13934	ACCELERATOR PEDAL ASSEMBLY	15-1	1	
UFS.125/11R	Screw, Set, restricting Pedal Travel	15-2	1	
UFN.125/L	Nut, on Setscrew	15-3	1	
C.3479	Felt Washer, at each side of Pedal Boss	15-4	2	
C.13387	BRACKET ASSEMBLY, MOUNTING ACCELERATOR PEDAL TO FLOOR	15-5	1	
C.11908	Distance Piece, under Mounting Bracket	15-6	4	
BD.8291/2	Screw, Set, securing Mounting Bracket to Floor		4	
FG.104/X	Washer, Spring, on Setscrews		4	
C.6969	Fulcrum Pin, securing Accelerator Pedal to Mounting Bracket	15-7	1	
C.8737/1	Nut, on Fulcrum Pin		1	
FW.104/T	Washer, Plain, under Nut		1	
C.11671	RUBBER PAD ON ACCELERATOR PEDAL	15-8	1	
C.22246	PEDAL SHAFT ASSEMBLY	15-9	1	
C.12486	Roller, on Pedal Shaft	15-10	1	
L.102.5/8U	Split Pin, retaining Roller on Shaft	15-11	1	
C.386	Special Washer, behind Split Pin	15-12	1	
BD.1814/2	Pop Rivet, securing Spherical Bearing on Shaft to L.H. side of Dash		3	
C.13536	THROTTLE LEVER AT R.H. SIDE OF PEDAL SHAFT	15-13	1	
UFS.131/7R	Screw, Set, securing Lever to Pedal Shaft		1	
FG.105/X	Washer, Spring, on Setscrew		1	
C.13308	SPHERICAL BEARING ASSEMBLY, FOR PEDAL SHAFT, ON R.H. SIDE OF DASH	15-14	1	
BD.1814/2	Pop Rivet, securing Spherical Bearing		3	
BD.1708/2	Washer, D.C. Spring, behind Spherical Bearing	15-15	1	
C.13316	Distance Piece, behind D.C. Spring Washer	15-16	1	
L.102.5/8U	Split Pin, retaining Pedal Shaft in Spherical Bearing		1	
FW.106/T	Washer, Plain, behind Split Pin		1	

AUTOMATIC TRANSMISSION

ACCELERATOR CONTROLS (L.H. DRIVE CARS ONLY)

FITTED FROM CHASSIS NO. 1B.25001 TO 1B.26212, 3-4 LITRE AND 1B.75001 TO 1B.80271, 3-8 LITRE

Part No.	Description	Plate No.	No. per Unit	Remarks
C.13314	KICK-DOWN LEVER ASSEMBLY	15-17	1	
UFS.131/7R FG.105/X	Screw, Set , securing Lever to Pedal Shaft Washer , Spring, on Setscrew		1 1	
C.13315	KICK-DOWN CONTROL ROD	15-18	1	
C.13309	Felt Washer , at each side of Kick-Down Lever and Gear-box Lever		4	
AW.102/T L.102/4U	Washer, Plain , between Felt Washers and Split Pins Split Pin , securing Kick-Down Control Rod		2 2	
C.15493	STEADY BAR, BETWEEN CROSS SHAFT HOUSING AND CONNECTING LINK	15-19	1	
C.15497	LOWER CONTROL ROD ASSEMBLY	15-20	1	
C.13358	Fork , on Lower Control Rod	15-21	1	
C.6925	Spring , in Fork	15-22	1	
C.13361	Washer, Plain , under Spring	15-23	1	
L.102.5/8U	Split Pin , securing Spring and Plain Washer to Lower Control Rod	15-24	1	
J.104/12.5S BD.1708/4 FW.104/T L.102/4U	Clevis Pin , fixing Fork to Bell Crank Washer, Double Coil Spring , each side of Bell Crank Washer, Plain , under Split Pin Split Pin , securing Clevis Pin	15-25 15-26	1 1 1 2	
BD.1708/5	Washer, Double Coil Spring , at side of Lever on Accelerator Pedal Shaft		1	
FW.104/T L.103/7U	Washer, Plain , under Split Pin Split Pin , securing Lower Control Rod to Lever on Accelerator Pedal Shaft		1 1	
C.11651	CONNECTING LINK ASSEMBLY	15-27	1	
C.11649 C.725	Pivot Pin , in Inlet Manifold, holding Connecting Link Washer, Shakeproof , behind Pivot Pin	15-28 15-29	1 1	
L.102.5/8U FW.105/T BD.1708/1	Split Pin , securing Connecting Link to Pivot Pin Washer, Plain , behind Split Pin Washer, Double Coil Spring , behind Plain Washer		1 1 1	
C.15499	BELL CRANK LEVER ASSEMBLY	15-30	1	
UFB.125/8R C.13561 C.8667/1	Bolt , securing Bell Crank Lever to Steady Bar Special Washer , on Bolt Nut, Self-Locking , on Bolt	15-31 15-32 15-33	1 1 1	

AUTOMATIC TRANSMISSION**ACCELERATOR CONTROLS** (L.H. DRIVE CARS ONLY)

FITTED FROM CHASSIS NO. 1B.25001 TO 1B.26212, 3·4 LITRE AND 1B.75001 TO 1B.80271, 3·8 LITRE

Part No.	Description	Plate No.	No. per Unit	Remarks
C.14366	THROTTLE RETURN SPRING, BETWEEN CARBURETTER LINKAGE AND BRACKET ON FRONT CARBURETTER		1	
C.15549	Bracket Assembly, on Front Carburetter, for Throttle Return Spring		1	
C.13355	THROTTLE RETURN SPRING, BETWEEN CARBURETTER LINKAGE AND BRACKET ON OIL CLEANER		1	
C.18065	Bracket, on Bolts securing Oil Cleaner, for Throttle Return Spring		1	

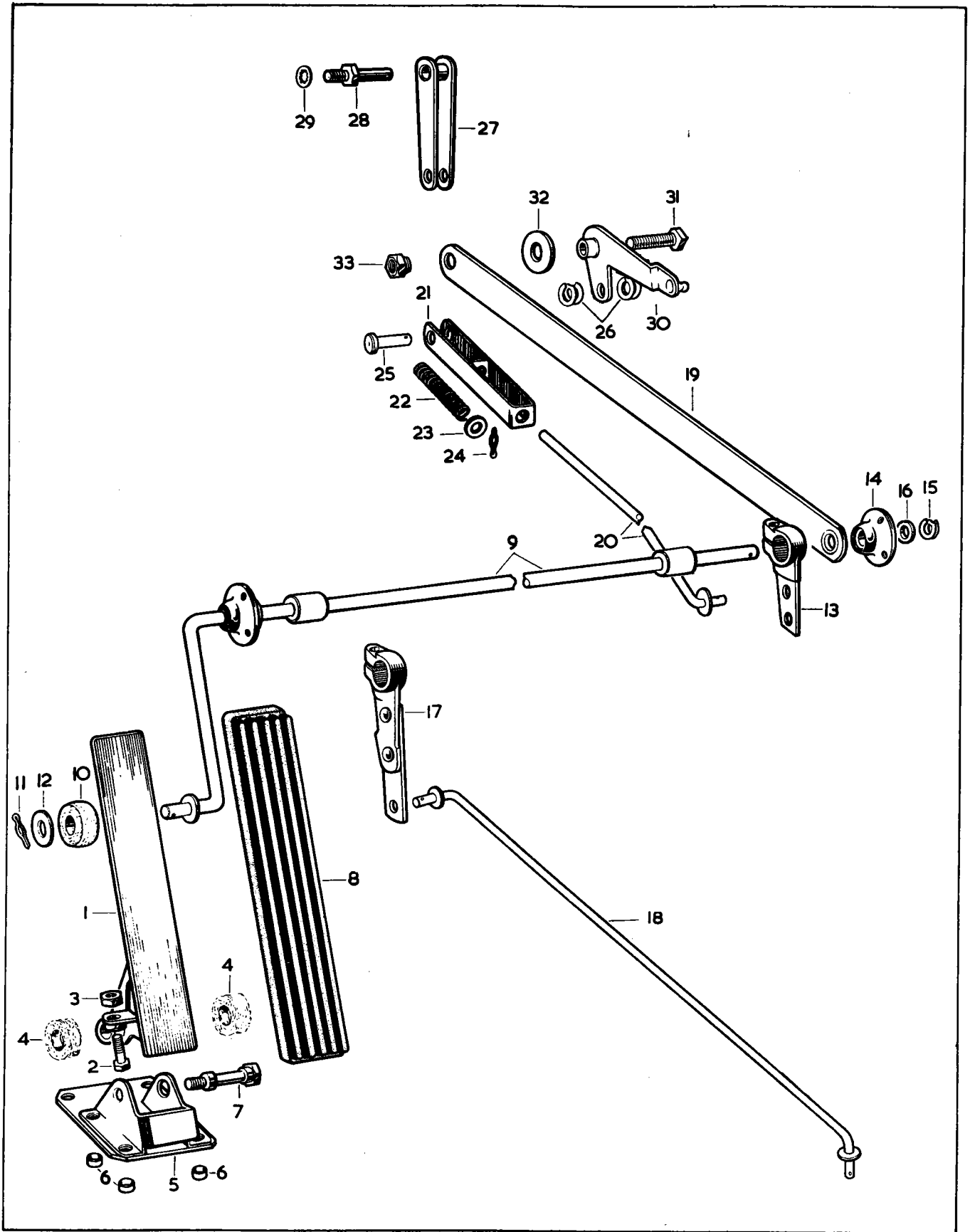


PLATE 15

AUTOMATIC TRANSMISSION

ACCELERATOR CONTROLS

(L.H. DRIVE CARS ONLY)

FITTED TO CHASSIS NO. 1B.26213 AND SUBS., 3-4 LITRE, AND 1B.80272 AND SUBS., 3-8 LITRE

Part No.	Description	Plate No.	No. per Unit	Remarks
C.28077	ACCELERATOR PEDAL ASSEMBLY	16-1	1	
C.28068	BRACKET MOUNTING ACCELERATOR PEDAL TO FLOOR	16-2	1	
B.8291/2 FG.104/X	Screw, Set, securing Mounting Bracket to Floor Washer, Spring, on Setscrews		4 4	
C.27346 C.8737/1 FW.104/T	Fulcrum Pin, securing Accelerator Pedal to Mounting Bracket Nut, Self-Locking, on Fulcrum Pin Washer, Plain, under Nut	16-3	1 1 1	
C.11671	PAD (RUBBER) ON ACCELERATOR PEDAL	16-4	1	
C.28072	LINK ASSEMBLY, CONNECTING ACCELERATOR PEDAL TO ACCELERATOR PEDAL SHAFT	16-5	1	
L.103/5U FW.104/T BD.1708/5	Split Pin, securing Link to Pedal and Shaft Washer, Plain, behind Split Pins Washer, Double Coil Spring, behind Plain Washer		2 2 2	
C.28078	ACCELERATOR PEDAL SHAFT ASSEMBLY	16-6	1	
BD.1814/6	Pop Rivet, securing Pedal Shaft Bearing Housing to L.H. side of Dash		3	
C.13536	LEVER, AT END OF ACCELERATOR PEDAL SHAFT	16-7	1	
UFS.131/7R FG.105/X	Screw, Set, clamping Lever to Split Collar on Pedal Shaft Washer, Spring, on Setscrew		1 1	
C.13308	BEARING HOUSING ASSEMBLY ON R.H. SIDE OF DASH FOR ACCELERATOR PEDAL SHAFT	16-8	1	
BD.1814/6	Pop Rivet, securing Housing to Dash		3	
C.13316	Distance Piece, behind Bearing Housing on Pedal Shaft at R.H. side of Dash		1	
BD.1708/2 FW.106/T L.102.5/8U	Washer, Double Coil Spring, behind Distance Piece Washer, Plain, behind Spring Washer Split Pin, through Pedal Shaft		1 1 1	

AUTOMATIC TRANSMISSION

ACCELERATOR CONTROLS (L.H. DRIVE CARS ONLY)

FITTED TO CHASSIS NO. 1B.26213 AND SUBS., 3·4 LITRE, AND 1B.80272 AND SUBS., 3·8 LITRE

Part No.	Description	Plate No.	No. per Unit	Remarks
C.26414	STEADY BAR ASSEMBLY, BETWEEN ACCELERATOR PEDAL SHAFT AND CONNECTING LINK	16-9	1	
C.11651	CONNECTING LINK ASSEMBLY	16-10	1	
C.11649	Pivot Pin , in Inlet Manifold, holding Connecting Link	16-11	1	
FG.105/X	Washer , Spring, behind Pivot Pin		1	
L.102.5/8U	Split Pin , securing Connecting Link to Pivot Pin		1	
FW.105/T	Washer , Plain, behind Split Pin		1	
BD.1708/1	Washer , Double Coil Spring, behind Plain Washer		1	
C.15499	BELL CRANK LEVER ASSEMBLY	16-12	1	
UFB.125/8R	Bolt , securing Bell Crank Lever and Steady Bar in Connecting Link		1	
C.13561	Spacing Washer , between Bell Crank Lever and Steady Bar		1	
C.8667/1	Nut , Self-Locking, on Bolt		1	
C.26412	CONTROL ROD ASSEMBLY, LINKING PEDAL SHAFT LEVER AND BELL CRANK LEVER	16-13	1	
L.103/7U	Split Pin , securing Control Rod to Levers		2	
FW.104/T	Washer , Plain, behind Split Pin		2	
BD.1708/5	Washer , Double Coil Spring, behind Plain Washer		2	
C.28426	KICK-DOWN SHAFT AND SUPPORT BRACKET ASSEMBLY, ON REAR CARBURETTER UPPER STUDS	16-14	1	
C.26558	CONTROL ROD, LINKING LEVER ON REAR CARBURETTER AND LEVER ON KICK-DOWN SHAFT	16-15	1	
C.13824	Clip , securing Control Rod to Levers	16-16	2	

AUTOMATIC TRANSMISSION**ACCELERATOR CONTROLS**

(L.H. DRIVE CARS ONLY)

FITTED TO CHASSIS NO. 1B.26213 AND SUBS., 3-4 LITRE, AND 1B.80272 AND SUBS., 3-8 LITRE

Part No.	Description	Plate No.	No. per Unit	Remarks
C.26839	KICK-DOWN CABLE ASSEMBLY, FROM OPERATING LEVER TO TRANSMISSION UNIT	16-17	1	
C.15830	Washer , Special, between Cable Trunnion and Support Bracket		1	
C.8737/9	Nut , Self-Locking, securing Cable Trunnion to Support Bracket		1	
C.22128	Washer , Special, under Nut		1	
J.103/8S	Clevis Pin , securing Cable Assembly to Operating Lever	16-18	1	
C.15830	Washer , Special, on Clevis Pin	16-19	1	
L.102/4U	Split Pin , securing Clevis Pin	16-20	1	
BD.541/28	Washer , Special, behind Split Pin	16-21	1	

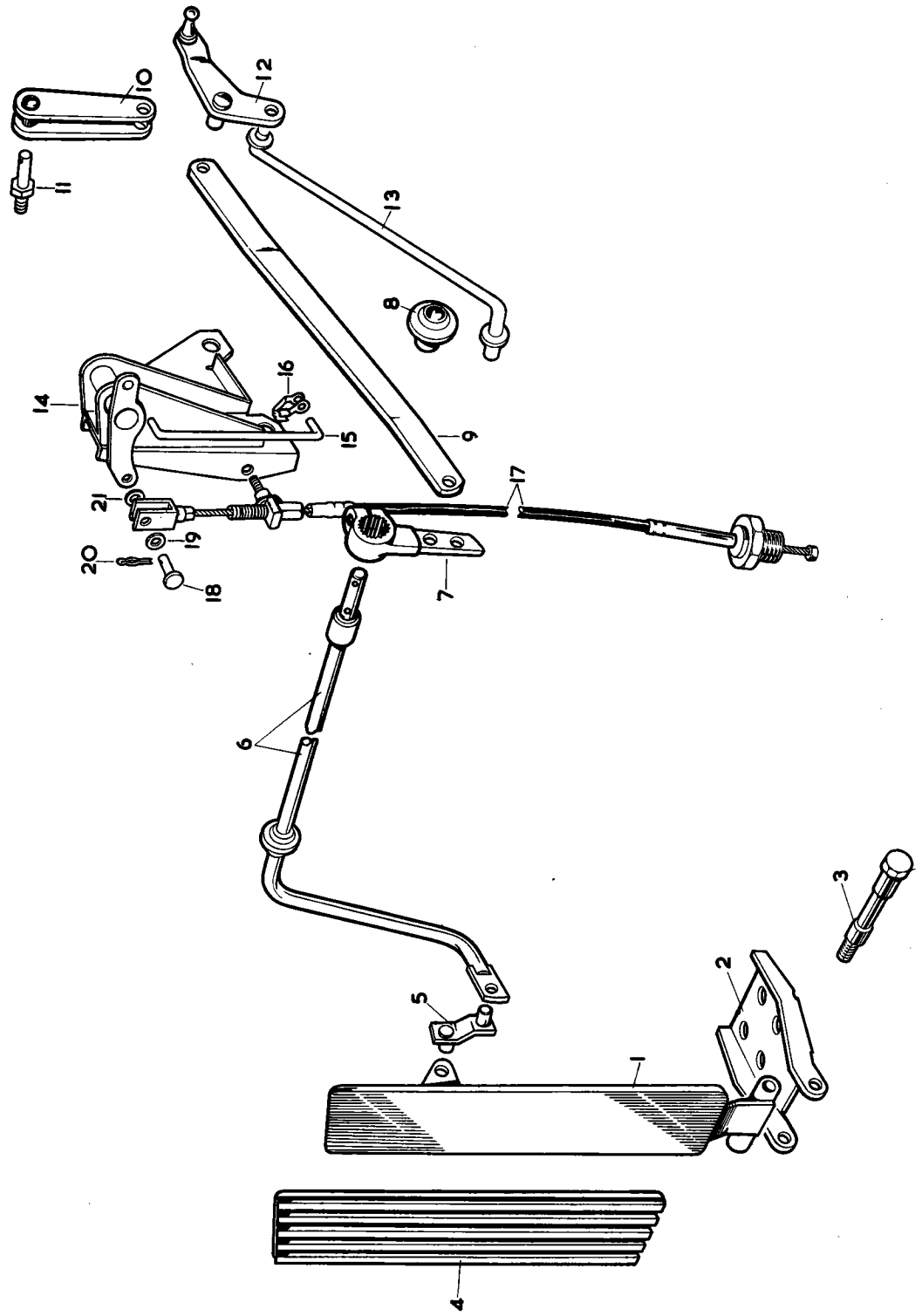


PLATE 16

FUEL SYSTEM

Part No.	Description	Plate No.	No. per Unit	Remarks
C.22470	R.H. PETROL TANK ASSEMBLY	75-1	1	
C.990/1	Petrol Filter Assembly, at bottom of Petrol Tank	75-2	1	
C.26310	Washer, on Petrol Filter	75-3	1	
C.23005/3	Sleeve, connecting Front Vent Pipe to Filler Neck		1	
C.22469	L.H. PETROL TANK ASSEMBLY	75-4	1	
C.990/1	Petrol Filter Assembly, at bottom of Petrol Tank	75-5	1	
C.26310	Washer, on Petrol Filter	75-6	1	
C.23005/3	Sleeve, connecting Front Vent Pipe to Filler Neck		1	
C.25089/1	TUBE CONNECTING FRONT AND REAR VENT PIPES	75-7	2	
C.17566	PETROL FILLER CAP		2	Fitted from Chassis No. 1B.1001 to 1B.1363 } 3-4 litre 1B.25001 to 1B.25096 } 1B.50001 to 1B.50965 } 3-8 litre 1B.75001 to 1B.75436 }
8421	Rubber Gasket, inside Filler Cap		2	
C.23601	PETROL FILLER CAP ASSEMBLY	75-8	2	Fitted to Chassis No. 1B.1364 and subs. } 3-4 litre 1B.25097 and subs. } 1B.50966 and subs. } 3-8 litre 1B.75437 and subs. }
C.23603	Sealing Ring, in Filler Cap	75-9	2	
C.23604	Spring Clip, locking Filler Cap to Petrol Filler Necks		2	
UCS.819/3H	Screw, Set, securing Spring Clips to Filler Caps		2	
AG.102/X	Washer, Spring, on Setscrews		2	
C.26211	PETROL GAUGE ELEMENT UNIT IN R.H. PETROL TANK (TBS.5114/001)	75-10	1	See also Electrical Equipment
C.21974	PETROL GAUGE ELEMENT UNIT IN L.H. PETROL TANK (TFS.9911/000)	75-11	1	
C.22054	Rubber Seal, between Element Units and Petrol Tanks (31-781-538)	75-12	2	REQUIRED FOR C.21974 ELEMENT UNIT ONLY REQUIRED FOR C.26211 ELEMENT UNIT ONLY
C.22053	Locking Ring, securing Element Units to Petrol Tanks (31-634-538-01)	75-13	2	
C.22642	Cover Plate, over Element Unit Apertures	75-14	2	
C.22640	Sealing Pad, under Cover Plate	75-15	1	
C.22641	Spacer, under Cover Plate	75-16	1	
C.26213	Sealing Pad, under Cover Plate	75-17	1	
C.26214	Spacer, under Cover Plate	75-18	1	
C.23026	Nyloc Cap Nut, securing Cover Plates	75-19	2	
BD.5453	Washer (Fibre) under Cap Nuts	75-20	2	
C.23035	Grommet, over Electrical Cables in Cover Plates	75-21	2	

FUEL SYSTEM

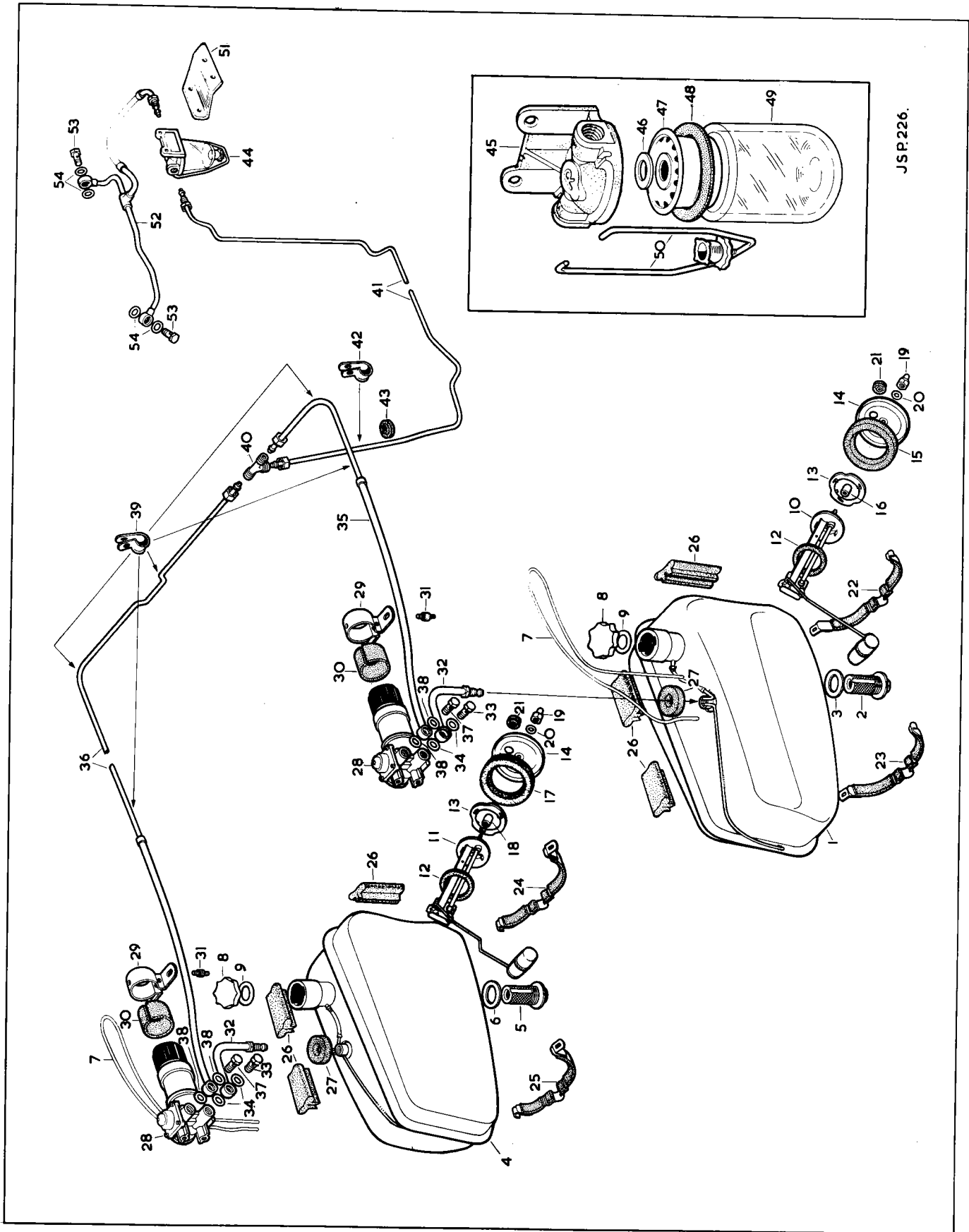
Part No.	Description	Plate No.	No. per Unit	Remarks
BD.25253	CRADLE ASSEMBLY SUPPORTING R.H. PETROL TANK AT FRONT	75-22	1	
BD.25255	CRADLE ASSEMBLY SUPPORTING R.H. PETROL TANK AT REAR	75-23	1	
BD.25254	CRADLE ASSEMBLY SUPPORTING L.H. PETROL TANK AT FRONT	75-24	1	
BD.25256	CRADLE ASSEMBLY SUPPORTING L.H. PETROL TANK AT REAR	75-25	1	
BD.9604/5 FG.106/X C.410	Screw, Set, securing Cradles to Body Washer, Spring, on Setscrews Special Washer, Plain, under Spring Washers		4 4 4	
BD.28139/1	LOCATING PAD, BETWEEN PETROL TANK AND BODY	75-26	6	
C.22615	SEALING RING, ON PETROL FEED PIPE, BETWEEN TANK AND BODY	75-27	2	
C.22458	PETROL PUMP ASSEMBLY (AUF-301)	75-28	2	
C.22547	CLIP, AROUND PETROL PUMPS	75-29	2	
C.23361	Rubber Packing, inside Clips	75-30	2	
UFB.125/11 R	Bolt, through Clips		2	
C.8667/1	Nut, Self-Locking, on Bolts		2	
C.24792	Rubber Mounting, fixing Petrol Pump Clips to Body	75-31	4	
UFN.125/L	Nut, securing Clips to Rubber Mountings		4	
FG.104/X	Washer, Spring, under Nuts		4	
FW.104/T	Washer, Plain, under Spring Washers		4	
C.22617	PETROL PIPE ASSEMBLY FROM PETROL TANKS TO PETROL PUMPS	75-32	2	
C.11488	Banjo Bolt, securing Pipes to Petrol Pump (AUC.2698)	75-33	2	
C.11489	Washer (Fibre) under Head of Banjo Bolts (AUC.2141)	75-34	4	

FUEL SYSTEM

Part No.	Description	Plate No.	No. per Unit	Remarks
C.22901	PETROL PIPE ASSEMBLY FROM R.H. PETROL PUMP TO T-PIECE	75-35	1	
C.22905	PETROL PIPE ASSEMBLY FROM L.H. PETROL PUMP TO T-PIECE	75-36	1	
C.11488	Banjo Bolt , securing Pipes to Petrol Pump (AUC.2698)	75-37	2	
C.11489	Washer , Fibre, under head of Banjo Bolts (AUC.2141)	75-38	4	
C.1040/6	Clip , securing Petrol Pipes in Boot (187004)	75-39	5	
DZZ.410/6C	Screw , Self-Tapping, securing Clips		5	
C.21868	T-PIECE CONNECTING PETROL PIPES (A.94063)	75-40	1	
C.22912	PETROL PIPE ASSEMBLY FROM T-PIECE TO PETROL FILTER	75-41	1	
C1040/6	Clip , securing Petrol Pipe (187004)	75-42	1	
DZZ.410/6C	Screw , Self-Tapping, securing Clip		1	
C.17432	Grommet , for Petrol Pipe, through Boot Floor and Rear Cross Member (863123)	75-43	2	
C.27588	PETROL FILTER ASSEMBLY (AC.7971243)	75-44	1	See also Carburetters and Petrol Filter
11450	Filter Casting (7971137)	75-45	1	
11951	Sealing Washer , between Filter Casting and Element (5593321)	75-46	1	
C.28080	Filter Element (Fibre) complete with Sealing Washers	75-47	1	
11950	Sealing Washer , between Filter Casting and Glass Bowl (854361)	75-48	1	
7300	Glass Bowl (1523620)	75-49	1	
7301	Retaining Strap Assembly (5592050)	75-50	1	
C.23115	BRACKET SUPPORTING PETROL FILTER	75-51	1	Fitted from Engine No. 7B.1001 to 7B.9686 3-4 litre 7B.50001 to 7B.64799 3-8 litre

FUEL SYSTEM

Part No.	Description	Plate No.	No. per Unit	Remarks
C.26589	BRACKET SUPPORTING PETROL FILTER		1	Fitted to Engine No. 7B.9687 and subs. 3-4 litre 7B.64800 and subs. 3-8 litre
C.131/6R	Screw, Set, securing Petrol Filter to Bracket and Bracket to Valance		4	
UFN.131/L	Nut, on Setscrews		4	
FG.105/X	Washer, Spring, on Setscrews		4	
C.23485	FEED PIPE ASSEMBLY, LINKING PETROL FILTER WITH CARBURETTERS		1	FOR USE WITH PETROL FILTER ASSEMBLY C.13681 See also Carburetters and Petrol Filter
C.26586	FEED PIPE ASSEMBLY, LINKING PETROL FILTER WITH CARBURETTERS	75-52	1	FOR USE WITH PETROL FILTER ASSEMBLY C.27588
C.11488	Banjo Bolt, securing Feed Pipe to Float Chambers (AUC.2698)	75-53	2	} FOR USE WITH PETROL FILTER ASSEMBLY C.13681 See also Carburetters and Petrol Filter
C.11489	Washer (Fibre) at each side of Banjo (AUC.2141)	75-54	4	



JSP.2226.

EXHAUST SYSTEM

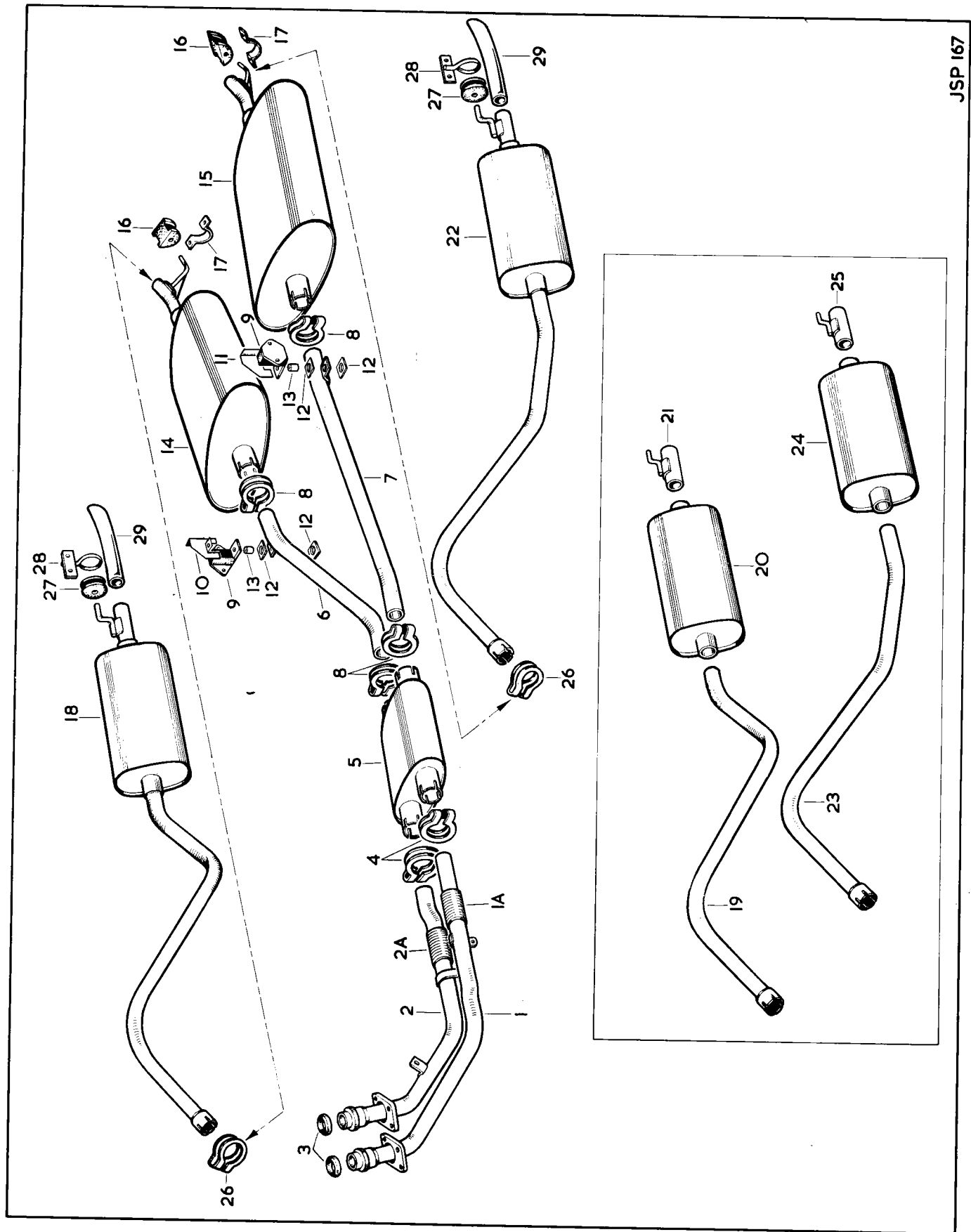
Part No.	Description	Plate No.	No. per Unit	Remarks
C.22311	FRONT DOWN PIPE ASSEMBLY FROM MANIFOLD TO SILENCER	74-1	1	
C.1759 C.18401	Flexible Pipe , on Down Pipe (12" long) Flange , on Down Pipe	74-1A	1 1	
C.22313	REAR DOWN PIPE ASSEMBLY FROM MANIFOLD TO SILENCER	74-2	1	
C.1759 C.18401	Flexible Pipe , on Down Pipe (12" long) Flange , on Down Pipe	74-2A	1 1	
C.18405/1 C.17916 FW.106/T	Sealing Ring , between Down Pipes and Exhaust Manifolds Nut , Special, securing Down Pipes to Exhaust Manifolds Washer , Plain, under Nuts	74-3	2 8 8	} See also Cylinder Head
UFN.131/L	Nut , securing Down Pipe to Clutch Housing Support Bracket		1	
C.725 FW.105/T	Washer , Shakeproof, under Nut Washer , Plain, under Shakeproof Washer		1 1	
UFS.131/6R UFN.131/L C.725 FW.105/T	Screw , Set, securing Front Down Pipe to Rear Down Pipe Nut , on Setscrew Washer , Shakeproof, under Nut Washer , Plain, under Shakeproof Washer		1 1 1 1	
C.13063	CLIP, SECURING DOWN PIPES TO FRONT SILENCER	74-4	2	
UFB.131/22R UFN.131/L FW.105/T	Bolt , through Clips Nut , on Bolts Washer , Plain, on Bolts		2 2 4	
C.22800	FRONT SILENCER ASSEMBLY	74-5	1	
C.23457	Shield , protecting Body from Exhaust Heat		1	Fitted from Chassis No. 1B.1001 to 1B.1097 } 3-4 litre 1B.25001 to 1B.25037 } 1B.50001 to 1B.50531 } 3-8 litre 1B.75001 to 1B.75135 }
C.23585	Shield , protecting Body from Exhaust Heat		1	Fitted to Chassis No. 1B.1098 and subs. } 3-4 litre 1B.25038 and subs. } 1B.50532 and subs. } 3-8 litre 1B.75136 and subs. }
UFS.125/4R C.724 DAZ.410/8C	Screw , Set, securing Heat Shield to Body Washer , Shakeproof, on Setscrews Screw , Self-Tapping, securing Heat Shield to Body		3 3 3	
C.22322	INTERMEDIATE EXHAUST PIPE ASSEMBLY R.H.	74-6	1	

EXHAUST SYSTEM

Part No.	Description	Plate No.	No. per Unit	Remarks
C.22324	INTERMEDIATE EXHAUST PIPE ASSEMBLY L.H.	74-7	1	
C.13063	CLIP, SECURING FRONT INTERMEDIATE PIPES TO FRONT AND MAIN SILENCERS	74-8	4	
UFB.131/22R	Bolt, securing Clips		4	
UFN.131/L	Nut, on Bolts		4	
FW.105/T	Washer, Plain, on Bolts		8	
1363	RUBBER MOUNTING FOR INTERMEDIATE EXHAUST PIPES	74-9	2	
UFS.131/5R	Screw, Set, securing Rubber Mountings to Body		4	
UFN.131/L	Nut, on Setscrews		4	
C.725	Washer, Shakeproof, under Nuts		4	
FW.105/T	Washer, Plain, under Shakeproof Washers		4	
UFB.131/10R	Bolt, securing Intermediate Pipes to Rubber Mountings		2	
C.19977	Heat Shield, protecting R.H. Rubber Mounting	74-10	1	
C.19978	Heat Shield, protecting L.H. Rubber Mounting	74-11	1	
BD.541/37	Washer, Special, on Bolts		2	
C.19979	Washer (Insulating) on Bolts	74-12	4	
C.19980	Distance Collar (Insulating) on Bolts	74-13	2	
C.8667/2	Nut, Self-Locking, on Bolts		2	
FW.105/T	Washer, Plain, under Nuts		2	
C.22801	MAIN SILENCER ASSEMBLY, R.H.	74-14	1	
C.22802	MAIN SILENCER ASSEMBLY, L.H.	74-15	1	
C.19632	RUBBER MOUNTING FOR MAIN SILENCERS	74-16	2	
C.19631	Bracket, retaining Rubber Mountings	74-17	2	
UFS.125/5R	Screw, Set, securing Bracket to Rear Suspension Cross Member		4	
UFN.125/L	Nut, on Setscrews		4	
C.724	Washer, Shakeproof, under Nuts		4	
C.26559	TAIL PIPE AND REAR SILENCER ASSEMBLY, R.H.	74-18	1	
C.22331	Rear Intermediate Pipe, R.H.	74-19	1	
C.22803	Rear Silencer	74-20	1	
C.24299	Tail Pipe Assembly	74-21	1	

EXHAUST SYSTEM

Part No.	Description	Plate No.	No. per Unit	Remarks
C.26560	TAIL PIPE AND REAR SILENCER ASSEMBLY, L.H.	74-22	1	
C.22332	Rear Intermediate Pipe, L.H.	74-23	1	
C.22803	Rear Silencer	74-24	1	
C.24299	Tail Pipe Assembly	74-25	1	
C.13063	CLIP, SECURING REAR SILENCER AND TAIL PIPE ASSEMBLY TO MAIN SILENCER	74-26	2	
UFB.131/22R	Bolt, securing Clips		2	
UFN.131/L	Nut, on Bolts		2	
FW.105/T	Washer, Plain, on Bolts		4	
C.22410	RUBBER MOUNTING FOR TAIL PIPES	74-27	2	
C.23262	Ring Bracket, for Rubber Mountings	74-28	2	
UFS.131/5R	Screw, Set, securing Ring Bracket to Body		4	
FG.105/X	Washer, Spring, on Setscrews		4	
C.26561	TAIL PIPE EXTENSION (CHROME PLATED)	74-29	2	
DA.406/6S	Screw, Self-Tapping (Stainless) securing Extensions to Tail Pipes		4	

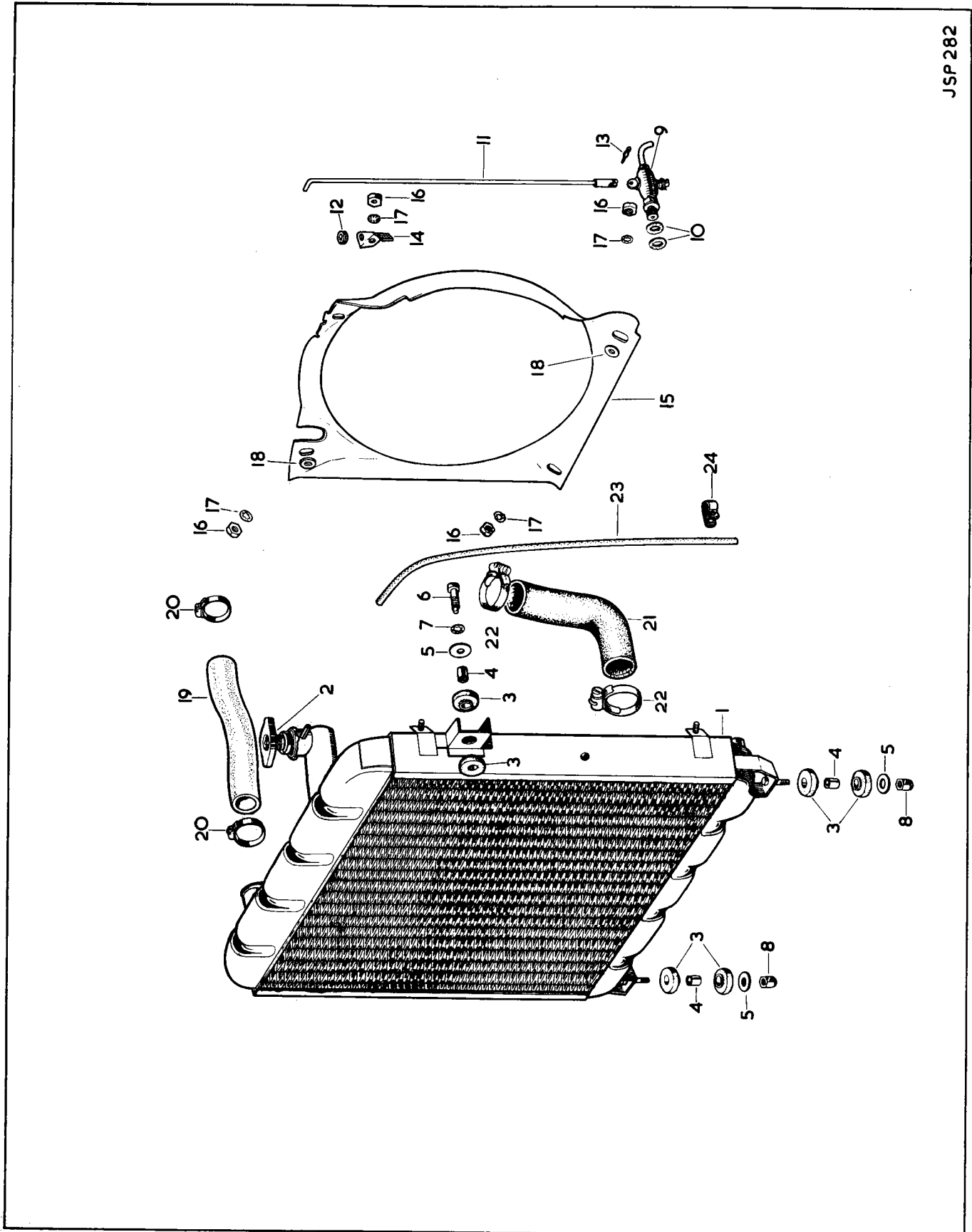


COOLING SYSTEM

Part No.	Description	Plate No.	No. per Unit	Remarks
C.27105	RADIATOR BLOCK ASSEMBLY	73-1	1	
C.25970	RADIATOR BLOCK ASSEMBLY		1	REQUIRED WHEN MODEL 35 AUTOMATIC TRANSMISSION IS FITTED
C.18460	Filler Cap (4 lbs. pressure)	73-2	1	
C.8975	Rubber Pad, for mounting of Radiator Block	73-3	8	
C.8976	Distance Tube, through Rubber Pads	73-4	4	
C.410	Washer, Special, retaining Mounting Pads	73-5	4	
C.12222	Bolt, securing Radiator at top	73-6	2	
C.726	Washer, Shakeproof, on Bolts	73-7	2	
C.410	Washer, Special, used as Packers between Radiator Block and Body		As req'd	
C.8667/3	Nut, Self-Locking, securing Radiator at bottom	73-8	2	
C.4439/1	DRAIN TAP FOR RADIATOR BLOCK	73-9	1	
C.981	Washer (Fibre) on Drain Tap	73-10	As req'd	
C.8973	CONTROL ROD ASSEMBLY, OPERATING DRAIN TAP	73-11	1	
C.1042	Grommet, on Control Rod	73-12	1	
L.103/7U	Split Pin, securing Control Rod to Drain Tap	73-13	1	
C.11776	BRACKET, ON FAN COWL, FOR DRAIN TAP CONTROL ROD	73-14	1	
C.24965	COWL, ON RADIATOR BLOCK, AROUND WATER PUMP FAN	73-15	1	
UFN.231/L	Nut, securing Cowl to Radiator Block and Control Rod Bracket to Cowl	73-16	4	
C.725	Washer, Shakeproof, under Nuts	73-17	4	
BD.541/5	Washer, Plain, behind Cowl	73-18	2	
C.27106	HOSE FROM TOP OF RADIATOR BLOCK TO MANIFOLD ON ENGINE	73-19	1	
C.2905/4	Clip, securing Top Radiator Hose	73-20	2	

COOLING SYSTEM

Part No.	Description	Plate No.	No. per Unit	Remarks
C.25971/1	HOSE FROM COOLER TO TRANSMISSION UNIT (LONG)		1	} REQUIRED WHEN MODEL 35 AUTOMATIC TRANSMISSION IS FITTED
C.25971/2	HOSE FROM COOLER TO TRANSMISSION UNIT (SHORT)		1	
C.2905/2	Clip, securing Hoses		4	
C.12630	HOSE FROM BOTTOM OF RADIATOR BLOCK TO WATER PUMP	73-21	1	
C.2905/5	Clip, securing Bottom Radiator Hose	73-22	2	
6705	RUBBER OVERFLOW PIPE FROM TOP OF RADIATOR BLOCK	73-23	1	
C.1040/2	Clip, securing Overflow Pipe at bottom of Cowl	73-24	1	



HEATER AND DEMISTER INSTALLATION

Part No.	Description	Plate No.	No. per Unit	Remarks
C.22212	HEATER CASE ASSEMBLY	88-1	1	
C.22554 BD.11712/1	Air Vanes Assembly, in Heater Case Pop Rivet, securing Air Vanes Assembly		1 6	
C.22563 DZZ.106/4C	Lid, for Heater Case Screw, Self-Tapping, securing Lid to Case	88-2	1 6	
C.15587	Spring, steadying Air Control Flaps	88-3	1	
BD.8291/2 C.724 FW.104/T	Screw, securing Heater Case to Dash Washer, Shakeproof, on Setscrews Washer, Plain, under Shakeproof Washers		5 5 5	
C.22574	SEAL (POLYURETHANE) ON UPPER FACE OF AIR CONTROL FLAP	88-4	1	
C.15743	SEAL (POLYURETHANE) ON LOWER FACE OF AIR CONTROL FLAP	88-5	1	
C.22472	WATER RADIATOR, FOR HEATER	88-6	1	
C.22575	SEAL (POLYURETHANE) AT FRONT OF WATER RADIATOR	88-7	1	
C.22576	SEAL (POLYURETHANE) AT REAR OF WATER RADIATOR	88-8	1	
C.22578	SEAL (POLYURETHANE) AROUND AIR INTAKE APERTURE	88-9	1	
BD.13603	SEAL (POLYURETHANE) FOR DEMISTER OUTLETS	88-10	1	
C.21805	SEAL (RUBBER) UNDER HEATER CASE	88-11	1	
C.22215	HEATER MOTOR ASSEMBLY (FHM.5372-B)	88-12	1	
9590	Resistance, 2 ohms (FHE.3109)		1	

HEATER AND DEMISTER INSTALLATION

Part No.	Description	Plate No.	No. per Unit	Remarks
C.22794	HOUSING ASSEMBLY, MOUNTING HEATER MOTOR	88-13	1	
C.22221	Seal (Polyurethane) between Housing Assembly and Air Intake Volute	88-14	1	
UFS.119/3R	Screw, Set, securing Housing Assembly to Air Intake Volute		4	
C.723/A	Washer, Shakeproof, on Setscrews		4	
C.22220	Seal (Polyurethane) between Motor and Housing Assembly	88-15	1	
C.14696	Grommet, for mounting Heater Motor (CH.78121)	88-16	3	
C.23376	Distance Tube, through Grommets	88-17	3	
C.22234/1	Screw (Wedglock) securing Heater Motor to Housing Assembly		3	
AW.102/T	Washer, Plain, on Screws		3	
C.23192	BRACKET, MOUNTING RESISTANCE	88-18	2	
C.23179	Distance Tube, between Brackets and Heater Case	88-19	2	
UFN.119/L	Nut, securing Brackets to Heater Case		2	
C.723/A	Washer, Shakeproof, under Nuts		2	
C.22216	FAN, FOR HEATER MOTOR	88-20	1	
C.17421	ADAPTOR, AT REAR OF WATER OUTLET PIPE, FOR HEATER FEED	88-21	1	
C.2296/1	Washer (Copper) on Adaptor	88-22	1	
C.14999	HOSE, FROM ADAPTOR TO FEED PIPE	88-23	1	
C.2905/4	Clip, securing Hose to Adaptor and Feed Pipe	88-24	2	
C.22677	FEED PIPE, FROM HOSE TO VACUUM VALVE	88-25	1	
C.14999/6	HOSE, CONNECTING FEED PIPE TO VACUUM VALVE	88-26	1	
C.2905/2	Clip, securing Hose to Feed Pipe and Vacuum Valve	88-27	2	

HEATER AND DEMISTER INSTALLATION

Part No.	Description	Plate No.	No. per Unit	Remarks
C.19704	VALVE (VACUUM OPERATED) CONTROLLING WATER SUPPLY TO HEATER	88-28	1	
C.8737/2 FW.105/T	Nut, Self-Locking, securing Valve to Bracket on Dash Washer, Plain, under Nut		1 1	
C.14999/6	HOSE, FROM VACUUM VALVE TO FEED PIPE	88-29	1	
C.2905/2	Clip, securing Hose to Vacuum Valve and Feed Pipe	88-30	2	
C.22695	FEED PIPE, FROM VACUUM VALVE TO WATER RADIATOR	88-31	1	
C.26574	ELBOW HOSE, FROM FEED PIPE TO WATER RADIATOR	88-32	1	
C.2905/2 C.2905/1	Clip, securing Elbow Hose to Feed Pipe Clip, securing Elbow Hose to Water Radiator	88-33 88-34	1 1	
C.26574	ELBOW HOSE, FROM WATER RADIATOR TO REAR RETURN PIPE	88-35	1	
C.2905/1 C.2905/2	Clip, securing Elbow Hose to Water Radiator Clip, securing Elbow Hose to Rear Return Pipe	88-36 88-37	1 1	
C.22582	REAR RETURN PIPE, FROM ELBOW HOSE TO FRONT RETURN PIPE	88-38	1	
C.14999/7	HOSE, FROM REAR RETURN PIPE TO FRONT RETURN PIPE	88-39	1	
C.2905/2	Clip, securing Hose to Return Pipes	88-40	2	
C.22656	FRONT RETURN PIPE, AT R.H. SIDE OF CYLINDER BLOCK	88-41	1	SUPERSEDED BY C.27075

HEATER AND DEMISTER INSTALLATION

Part No.	Description	Plate No.	No. per Unit	Remarks
C.27075	FRONT RETURN PIPE, AT R.H. SIDE OF CYLINDER BLOCK		1	SUPERSEDES C.22656
C.22653	BRACKET, SUPPORTING FRONT RETURN PIPE AT FRONT	88-42	1	
C.15729	Clamp, securing Front Return Pipe in Bracket	88-43	1	
UFS.119/8R	Screw, Set, securing Clamp to Bracket		1	
UFN.119/L	Nut, on Setscrew		1	
C.723/A	Washer, Shakeproof, under Nut		1	
C.22654	CLIP, SECURING FRONT RETURN PIPE AT REAR	88-44	1	
UFS.119/4R	Screw, Set, securing Clip to Pipe		1	
UFN.119/L	Nut, on Setscrews		1	
C.723/A	Washer, Shakeproof, under Nut		1	
C.14999/2	HOSE, FROM FRONT RETURN PIPE TO ADAPTOR ON WATER PUMP	88-45	1	
C.2905/2	Clip, securing Hose to Adaptor and Return Pipe	88-46	2	
C.17421	ADAPTOR, ON WATER PUMP, FOR WATER RETURN FROM HEATER	88-47	1	
C.2296/1	Washer (Copper) on Adaptor	88-48	1	
C.15714/5	OUTER CABLE, FOR HEATER CONTROLS	88-49	1	
C.15973	INNER CABLE, OPERATING HEATER CASE FLAP	88-50	1	
C.13824	Clip, securing Inner Cable to Heater Flap	88-51	1	
C.17287	CLAMP, SECURING OUTER CABLE	88-52	2	
UFS.119/4R	Screw, Set, securing Clamp		2	
C.723/A	Washer, Shakeproof, on Screws		2	

HEATER AND DEMISTER INSTALLATION

Part No.	Description	Plate No.	No. per Unit	Remarks
C.19425	RESERVAC TANK, FOR HEATER VACUUM CONTROLS	88-53	1	
C.8737/2 BD.541/5	Nut, Self-Locking, securing Reservac Tank to Underframe Washer, Plain, under Nuts		2 2	
C.27308	CHECK VALVE ASSEMBLY, ON RESERVAC TANK	88-54	1	
C.23215	VACUUM HOSE, FROM CHECK VALVE TO FRONT VACUUM PIPE	88-55	1	
C.15886/5	Clip, securing Hose to Check Valve and Pipe	88-56	2	
C.23210	FRONT VACUUM PIPE	88-57	1	
C.1040/9 DAZ.410/8C	Clip, securing Front Vacuum Pipe to Underframe Screw, Self-Tapping, securing Clips	88-58	2 2	
C.23214	HOSE, FROM FRONT VACUUM PIPE TO 'T' PIECE	88-59	1	
C.15886/5	Clip, securing Hose to Pipe and 'T' Piece	88-60	2	
C.23211	'T' PIECE, AT JUNCTION OF VACUUM HOSES	88-61	1	
C.23665/7	VACUUM HOSE, FROM CHECK VALVE TO CENTRE CONNECTION ON VACUUM CONTROL BOX	88-62	1	
BD.3210	Grommet, in Dash, for Hose	88-63	1	
C.23665/2	VACUUM HOSE, FROM L.H. CONNECTION ON CONTROL BOX TO VACUUM DIAPHRAGM ON DASH	88-64	1	
C.8016	Grommet, in Dash for Hose	88-65	1	

HEATER AND DEMISTER INSTALLATION

Part No.	Description	Plate No.	No. per Unit	Remarks
BD.25328	VACUUM DIAPHRAGM ASSEMBLY, FOR OPERATION OF SCUTTLE VENTILATOR	88-66	1	
BD.25326	Packing, between Vacuum Diaphragm and Dash	88-67	1	
C.8667/17	Nut, Self-Locking, securing Vacuum Diaphragm to Dash		2	
C.18892	Clip, securing Diaphragm Rod to Scuttle Ventilator	88-68	1	
C.23665/3	VACUUM HOSE, FROM R.H. CONNECTION ON CONTROL BOX TO VACUUM WATER VALVE	88-69	1	
C.8016	Grommet, in Dash, for Hose	88-70	1	
BD.17163	R.H. DEMISTER NOZZLE ASSEMBLY	88-71	1	
BD.17164	L.H. DEMISTER NOZZLE ASSEMBLY	88-72	1	
DA.406/8C	Screw, Self-Tapping, securing Nozzles to Dash		4	
BD.26707	HOSE, CONVEYING AIR TO R.H. DEMISTER NOZZLE	88-73	1	
BD.26449	HOSE, CONVEYING AIR TO L.H. DEMISTER NOZZLE	88-74	1	
BD.10343	RUBBER ELBOW, FOR DEMISTER HOSES	88-75	2	
C.23358	LEVER, FOR 'HOT' AND 'COLD' CONTROL, OPERATING HEATER FLAPS	89-1	1	
C.22703	Spacer, between Lever and Clamping Bracket	89-2	1	
C.22704	Distance Tube, inside Spacer	89-3	1	
C.18414/1	Washer, Wavy, between Lever and Distance Tube		1	
FW.104/T	Washer, Plain, on upper face of Lever		1	
C.22753/1	Screw, Set, securing Lever to Clamping Bracket		1	
C.15592	ESCUTCHEON, FOR HEATER CONTROLS	89-4	1	

HEATER AND DEMISTER INSTALLATION

Part No.	Description	Plate No.	No. per Unit	Remarks
C.22701	CONTROL PLATE, BEHIND ESCUTCHEON (INSCRIBED 'HOT', 'COLD')	89-5	1	
UFN.119/L C.723/A	Nut, securing Escutcheon Washer, Shakeproof, under Nuts		2 2	
BD.25857	KNOB, ON CONTROL LEVER	89-6	1	
UCS.311/2H	Screw, Set, securing Knob to Lever		1	
C.17324	END FITTING, SECURING INNER CABLE TO LEVER	89-7	1	
C.17874	Screw, securing Inner Cable in Fitting and Fitting to Lever	89-8	1	
C.22960	VACUUM CONTROL BOX ASSEMBLY, FOR HEATER OPERATION	89-9	1	
BD.25644	Friction Bush, securing Escutcheon around Vacuum Control Box	89-10	2	
DAZ.406/6C	Screw, Self-Tapping, fixing Vacuum Control Box to Panel		2	
BD.25365	ESCUTCHEON, AROUND VACUUM CONTROL BOX (INSCRIBED 'AIR', 'HEAT', 'OFF')	89-11	1	
BD.25366	BACKING PLATE, BEHIND ESCUTCHEON	89-12	1	
BD.21864	KNOB, FOR VACUUM CONTROL BOX	89-13	3	
BD.21901	Clip, securing Knobs	89-14	3	
BD.25733	R.H. AIR DIRECTOR BOX, COMPLETE	89-15	1	
BD.25734	L.H. AIR DIRECTOR BOX, COMPLETE	89-16	1	
DAZ.408/8C	Screw, Self-Tapping, securing Air Director Boxes to Dash		8	

HEATER AND DEMISTER INSTALLATION

Part No.	Description	Plate No.	No. per Unit	Remarks
BD.26574	REMOTE CONTROL ASSEMBLY, OPERATING VANES IN AIR DIRECTOR BOXES	89-17	2	
BD.26615 UCS.413/2H	Adaptor, at inner end of Remote Control Cables Screw, Set, securing Adaptor to Inner Cables	89-18	2 4	
BD.26571	BRACKET, FIXING OUTER CABLE OF REMOTE CONTROL	89-19	2	
BD.25724	COLLECTOR, AT REAR OF DASH, CONVEYING AIR TO REAR COMPARTMENT	89-20	1	
DAZ.410/10C	Screw, Self-Tapping, securing Collector to Dash		1	
BD.26057	HOSE, FROM COLLECTOR TO BUTTERFLY CONTROL ASSEMBLY	89-21	1	
BD.25818	BUTTERFLY CONTROL ASSEMBLY, ON CONSOLE	89-22	1	
BD.1328/1	Bifurcated Rivet, securing Butterfly Control Assembly to Console		4	
BD.25970	LEVER ASSEMBLY, CONTROLLING AIR SUPPLY TO REAR COMPARTMENT	89-23	1	
BD.25840	ESCUTCHEON, FOR LEVER, INSCRIBED 'ON', 'OFF', 'REAR VENT'	89-24	1	
UCN.111/L	Nut, securing Escutcheon to Console		4	
C.720	Washer, Shakeproof, under Nuts		4	
AW.104/T	Washer, Plain, under Shakeproof Washers		4	
BD.25857	KNOB, ON CONTROL LEVER	89-25	1	
UCS.311/2H	Screw, Set, securing Knob to Lever		1	

HEATER AND DEMISTER INSTALLATION

Part No.	Description	Plate No.	No. per Unit	Remarks
BD.26258/1	FRONT CONTROL ROD, FROM LEVER TO ADJUSTMENT SLIDE	89-26	1	
BD.24836	ADJUSTMENT SLIDE	89-27	1	
BD.26258/2	REAR CONTROL ROD, FROM ADJUSTMENT SLIDE TO BUTTERFLY CONTROL ASSEMBLY	89-28	1	
UCS.113/2R	Screw, Set, securing Control Rods to Adjustment Slide		2	SUPERSEDED BY BD.21801 SUPERSEDES C.18892
C.18892	Clip, securing Control Rods at ends	89-29	2	
BD.21801	Retaining Washer, securing Control Rods at ends		2	
BD.26058	HOSE, FROM BUTTERFLY CONTROL ASSEMBLY TO AIR DISTRIBUTOR BOX	89-30	1	
BD.25981	AIR DISTRIBUTOR BOX ASSEMBLY, FOR REAR COMPARTMENT HEATING	89-31	1	
BD.14399/1	Screw, Set, securing Air Distributor Box to Console		2	
UFN.119/L	Nut, on Setscrews		2	
C.723/A	Washer, Shakeproof, under Nuts		2	
BD.8536/7	Nut, securing Air Distributor Box to Propeller Shaft Tunnel		2	
DJZ.410/6C	Screw, Self-Tapping, securing Air Distributor Box to Propeller Shaft Tunnel		2	

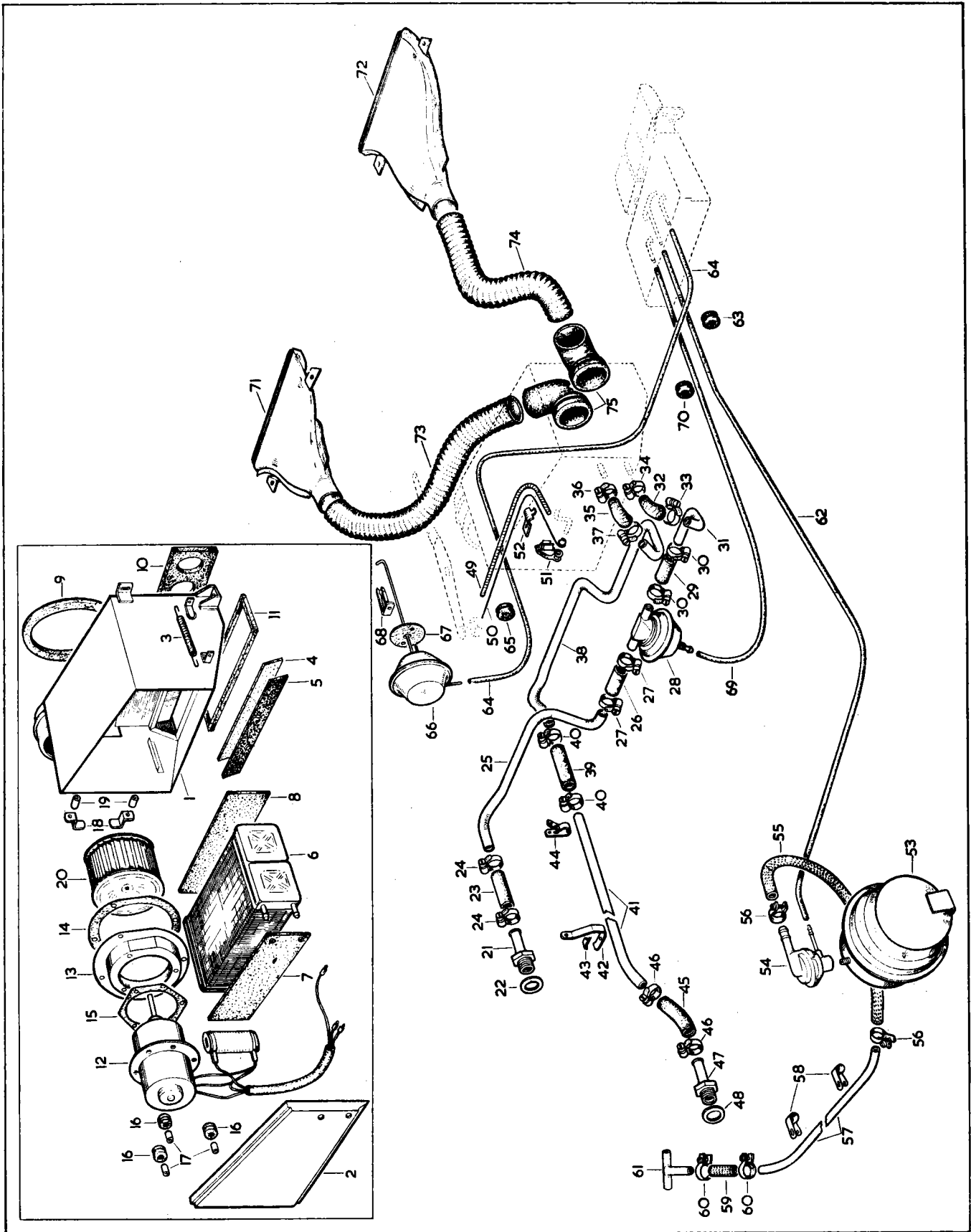
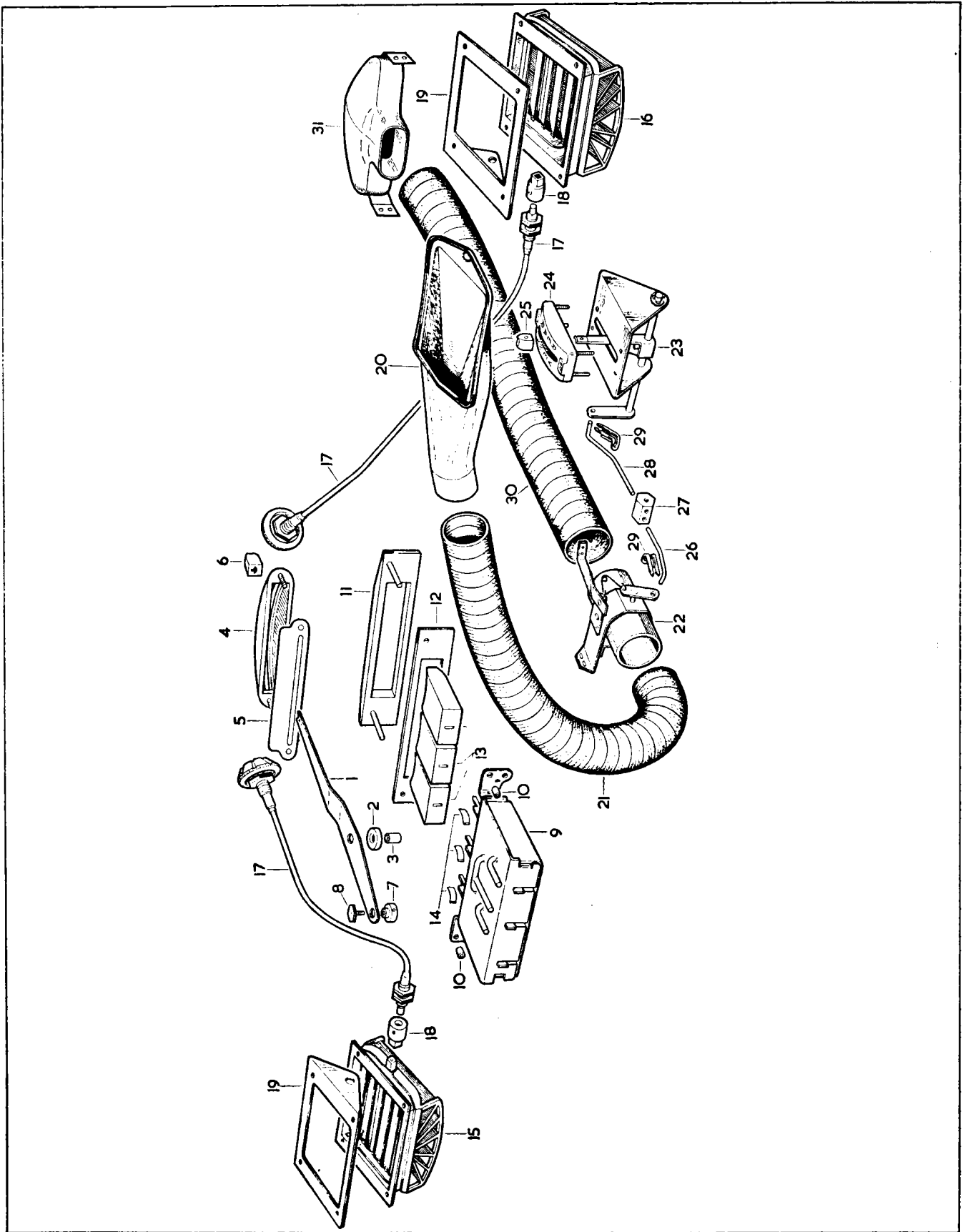


PLATE 88



3.4 LITRE

CLUTCH UNIT

FITTED FROM ENGINE NO. 7B.1001 TO 7B.6571

Part No.	Description	Plate No.	No. per Unit	Remarks
C.15819	CLUTCH UNIT, COMPLETE (BB.10/153A) (COMPRISING COVER ASSEMBLY AND DRIVEN PLATE ASSEMBLY)	17-1	1	
C.15820	CLUTCH COVER ASSEMBLY (BB.45696/101)		1	
2546	Cover only (45616)	17-2	1	
2544	Thrust Spring (Yellow and Light Green) (44780)	17-3	12	
8097	Pressure Plate (50401)	17-4	1	
6839	Release Lever (48992)	17-5	3	
2472	Plate, Release Lever (40968)	17-6	1	
2395	Retainer, Release Lever (40015)	17-7	3	
2527	Strut, Release Lever (42606)	17-8	3	
2588	Eyebolt, Release Lever (48243)	17-9	3	
2523	Pin, through Eyebolt (42604)	17-10	3	
5086	Nut, on Eyebolt (48132)	17-11	3	
2545	Anti-Rattle Spring (45577)	17-12	3	
6840	RELEASE BEARING ASSEMBLY (BB.48444)		1	
2590	Release Bearing and Cup Assembly (BB.48443)	17-13	1	
4163	Retainer, securing Cup to Clutch Operating Fork (BB.41628)	17-14	2	
8401	DRIVEN PLATE ASSEMBLY (BB.47627/125)		1	
2561	Facings Package, consisting of Clutch Linings and Rivets (BB.46663)		1	FOR RENEWAL OF DRIVEN PLATE LININGS
C.1782	Dowel, for location of Clutch Unit to Flywheel		2	
UFS.137/6.5R	Screw, Set, securing Clutch Unit to Flywheel	17-15	6	
FG.106/X	Washer, Spring, on Setscrews	17-16	6	

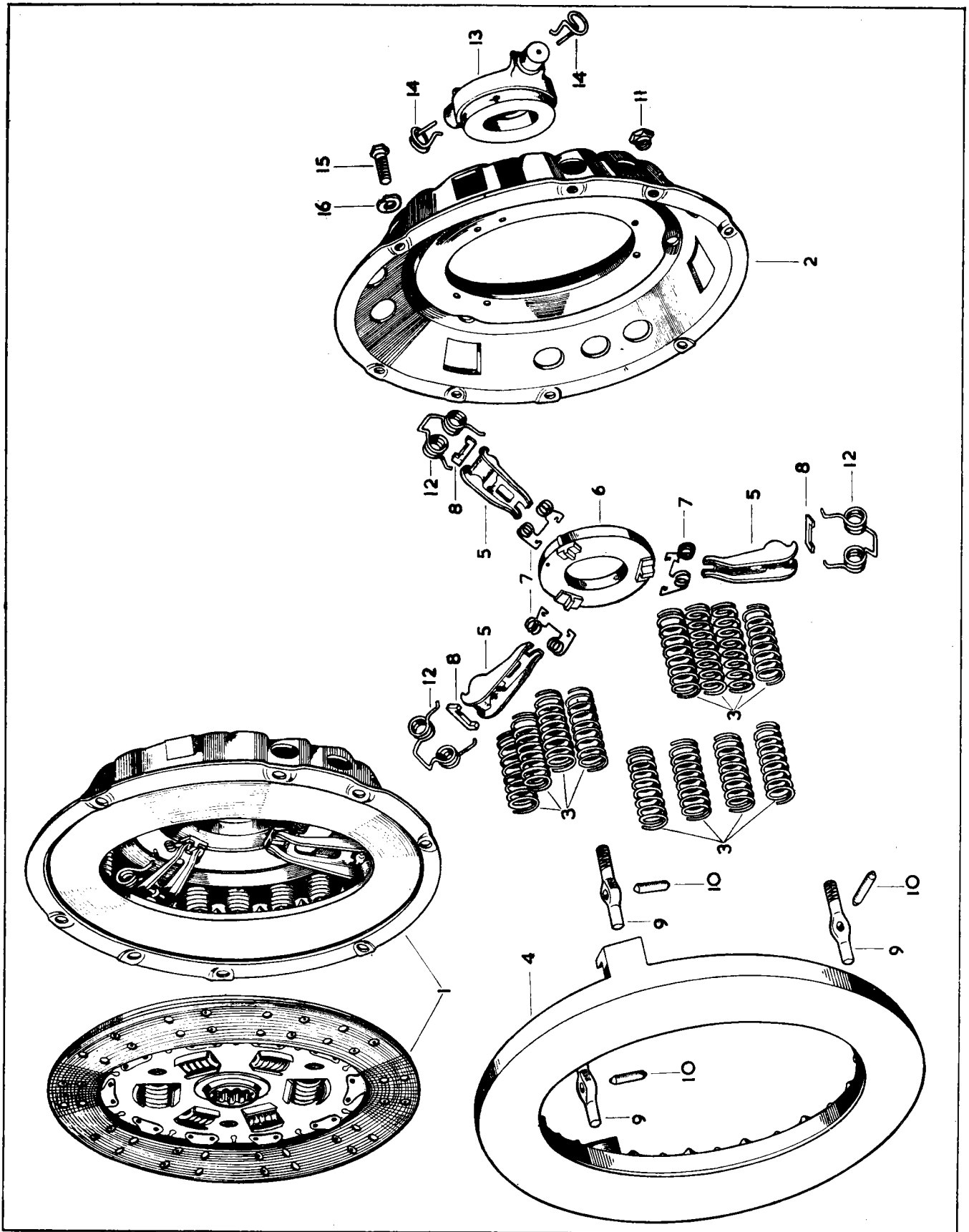


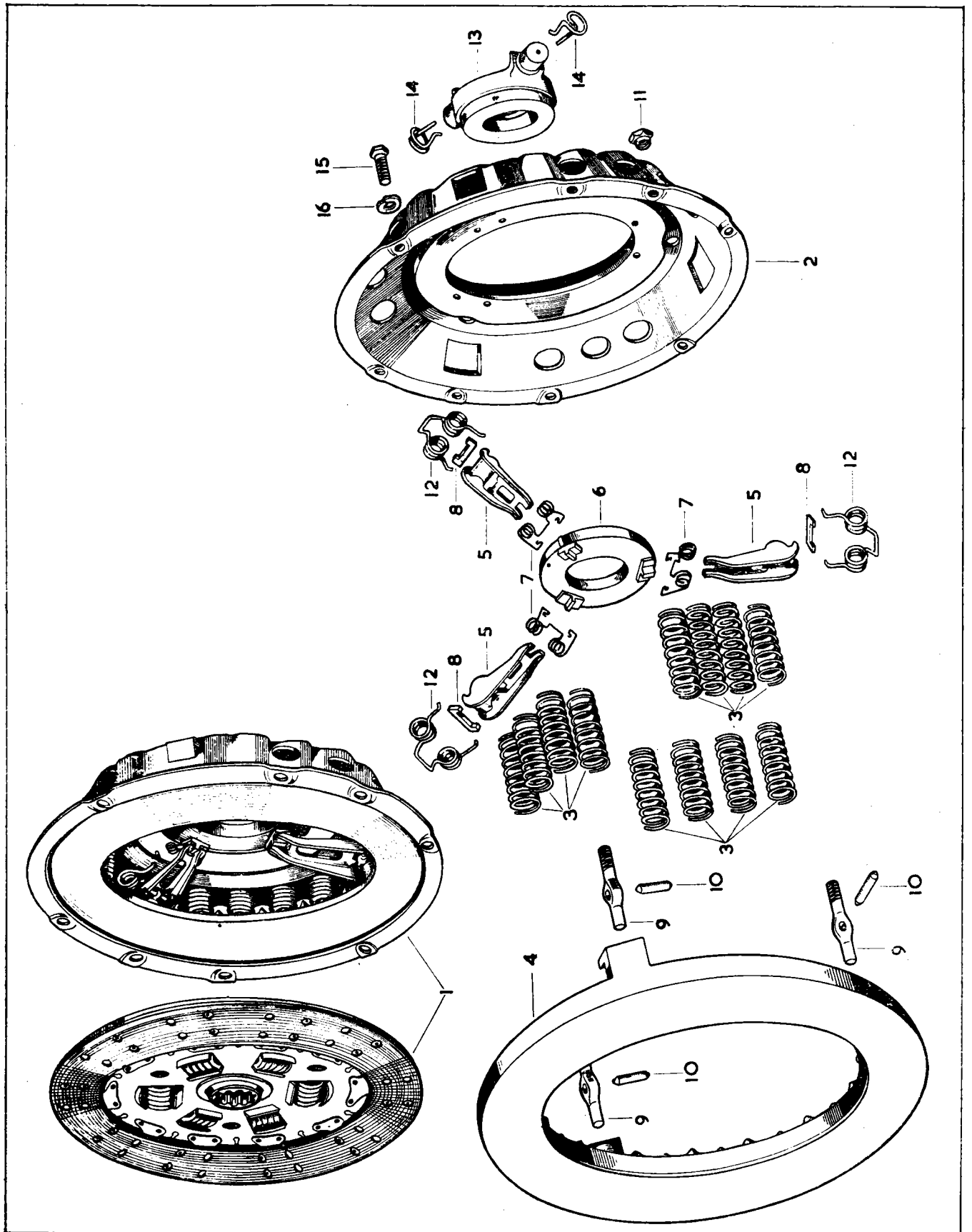
PLATE 17

3.8 LITRE

CLUTCH UNIT

FITTED FROM ENGINE NO. 7B.50001 TO 7B.60390

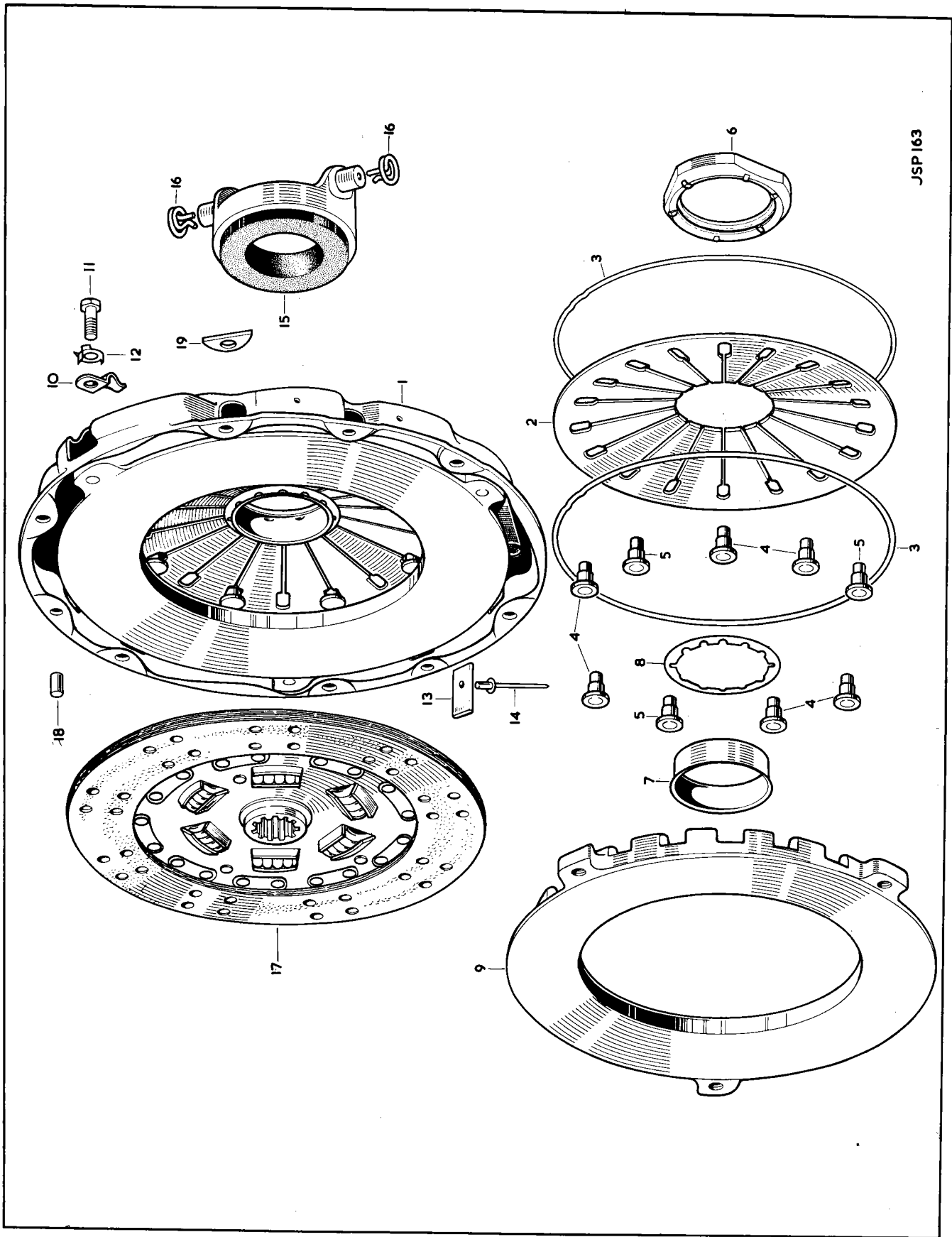
Part No.	Description	Plate No.	No. per Unit	Remarks
C.15821	CLUTCH UNIT, COMPLETE (BB.10/152/A) (COMPRISING COVER ASSEMBLY AND DRIVEN PLATE ASSEMBLY)	18-1	1	
C.15822	CLUTCH COVER ASSEMBLY (BB.45696/100)		1	
2546	Cover only (45616)	18-2	1	
4325	Thrust Spring (Black) (44633)	18-3	12	
8097	Pressure Plate (50401)	18-4	1	
6839	Release Lever (48992)	18-5	3	
2472	Plate, Release Lever (40968)	18-6	1	
2395	Retainer, Release Lever (40015)	18-7	3	
2527	Strut, Release Lever (42606)	18-8	3	
2588	Eyebolt, Release Lever (48243)	18-9	3	
2523	Pin, through Eyebolt (42604)	18-10	3	
5086	Nut, on Eyebolt (48132)	18-11	3	
2545	Anti-Rattle Spring (45577)	18-12	3	
6840	RELEASE BEARING ASSEMBLY (BB.48444)		1	
2590	Release Bearing and Cup Assembly (48443)	18-13	1	
4163	Retainer, securing Cup to Clutch Operating Fork (41628)	18-14	2	
7643	DRIVEN PLATE ASSEMBLY (BB.47627/124)		1	FOR RENEWAL OF DRIVEN PLATE LININGS
2561	Facings Package (consisting of Clutch Linings and Rivets) (46663)		1	
C.1782	Dowel, for location of Clutch Unit to Flywheel		2	
UFS.137/6.5R	Screw, Set, securing Clutch Unit to Flywheel	18-15	6	
FG.106/X	Washer, Spring, on Setscrews	18-16	6	



CLUTCH UNIT

FITTED TO ENGINE NO. 7B.6572 AND SUBS., 3-4 LITRE, 7B.60391 AND SUBS., 3-8 LITRE

Part No.	Description	Plate No.	No. per Unit	Remarks
C.27019	CLUTCH COVER ASSEMBLY (BB.75620/20)	19-1	1	
11253	Diaphragm Spring (75026/10)	19-2	1	
11254	Fulcrum Ring, at each side of Diaphragm Spring (75027)	19-3	2	
11255	Rivet (Shouldered) locating Diaphragm Spring (75690/12)	19-4	6	
11259	Rivet (Shouldered) locating Diaphragm Spring (75328)	19-5	3	
11297	Release Plate (75578)	19-6	1	
11299	Sleeve, retaining Release Plate to Diaphragm Spring (75621)	19-7	1	
11298	Belleville Washer, on Sleeve (75581)	19-8	1	
11260	Pressure Plate (75312)	19-9	1	
11261	Clip, retaining Pressure Plate to Diaphragm Spring (75309)	19-10	3	
11262	Bolt, securing Clips and Drive Straps to Pressure Plate (75387)	19-11	3	
11263	Tab Washer, locking Bolts (75104)	19-12	3	
11264	Balance Weight (.85 grammes) for Clutch Cover Assembly (75062)	19-13	As req'd	} SELECTIVE WEIGHTS
11265	Balance Weight (2.13 grammes) for Clutch Cover Assembly (75063)	19-13	As req'd	
11266	Balance Weight (4.26 grammes) for Clutch Cover Assembly (75064)	19-13	As req'd	
11267	Balance Weight (5.38 grammes) for Clutch Cover Assembly (75065)	19-13	As req'd	
11268	Balance Weight (6.51 grammes) for Clutch Cover Assembly (75066)	19-13	As req'd	
11269	Balance Weight (7.56 grammes) for Clutch Cover Assembly (75067)	19-13	As req'd	
11270	Balance Weight (9.57 grammes) for Clutch Cover Assembly (75068)	19-13	As req'd	
11271	Balance Weight (11.57 grammes) for Clutch Cover Assembly (75069)	19-13	As req'd	
11272	Pop Rivet, securing Balance Weights to Clutch Cover (75061)	19-14	As req'd	
C.23575/1	RELEASE BEARING AND CUP ASSEMBLY (76453)	19-15	1	
4163	Retainer, holding Cup to Operating Fork (41628)	19-16	2	
C.25875	DRIVEN PLATE ASSEMBLY (53009/12)	19-17	1	FOR 3-4 LITRE ONLY
C.25874	DRIVEN PLATE ASSEMBLY (53009/11)	19-17	1	FOR 3-8 LITRE ONLY
11273	Facings Package (comprising Clutch Linings and Rivets) (SSC.75925)		1	FOR RENEWAL OF DRIVEN PLATE LININGS
C.8631	Dowel, locating Clutch Cover to Flywheel	19-18	3	
UFS.131/6.5R	Screw, Set, securing Clutch Unit to Flywheel		6	
FG.105/X	Washer, Spring, on Setscrew		6	
C.23965/1	Balance Weight (.036" thick) for Clutch	19-19	As req'd	} SELECTIVE WEIGHTS
C.23965/2	Balance Weight (.064" thick) for Clutch	19-19	As req'd	
C.23965/3	Balance Weight (.104" thick) for Clutch	19-19	As req'd	
C.23965/4	Balance Weight (.128" thick) for Clutch	19-19	As req'd	



JSP163

CLUTCH CONTROLS

Part No.	Description	Plate No.	No. per Unit	Remarks
C.14994	CLUTCH HOUSING (COMPLETE WITH BUSHES)		1	Fitted from Chassis No. 1B.1001 to 1B.2191 } 3-4 litre 1B.25001 to 1B.25300 } 1B.50001 to 1B.52077 } 3-8 litre 1B.75001 to 1B.76309 }
C.10025	Bush, for Throw-out Shaft		2	
FB.107/13R	Bolt, securing Clutch Housing to Gearbox		6	
C.9859	Bolt, securing Clutch Housing to Gearbox		1	
C.9860	Bolt, securing Clutch Housing to Gearbox		1	
C.20336	CLUTCH HOUSING (COMPLETE WITH BUSHES)	20-1	1	Fitted to Chassis No. 1B.2192 and subs. } 3-4 litre 1B.25301 and subs. } 1B.52078 and subs. } 3-8 litre 1B.76310 and subs. } 8 required at Engine No. 7B.9675 and subs. 3-4 litre 7B.64681 and subs. 3-8 litre
C.10025	Bush, for Throw-out Shaft		2	
UFB.143/13R	Bolt, securing Clutch Housing to Gearbox	20-2	6	
C.20334	Bolt, securing Clutch Housing to Gearbox	20-3	1	
C.20335	Bolt, securing Clutch Housing to Gearbox	20-4	1	
FW.107/T	Washer, Plain, on Bolts		2	
C.587	Plate, locking Bolts	20-5	2	
C.5073	Plate, locking Bolts	20-6	1	
UFB.137/23R	Bolt, securing Clutch Housing to Cylinder Block		9	
C.726	Washer, Shakeproof, on Bolts		9	
C.11910	Cover, over Timing aperture at bottom of Clutch Housing	20-7	1	
BD.524/2	Rivet, securing Cover to Clutch Housing		1	
C.18739	OIL SEAL, AT REAR OF CLUTCH HOUSING, FOR GEARBOX PRIMARY SHAFT	20-8	1	
C.5072	COVER PLATE, AT FRONT OF CLUTCH HOUSING	20-9	1	
UCS.125/4R	Screw, Set, securing Cover Plate		4	
C.724	Washer, Shakeproof, on Setscrews		4	
C.4795	SUPPORT BRACKET AT RIGHT-HAND SIDE OF CLUTCH HOUSING	20-10	1	
C.11942	SUPPORT BRACKET ASSEMBLY AT LEFT-HAND SIDE OF CLUTCH HOUSING	20-11	1	
UFB.131/10R	Bolt, securing Support Brackets to Cylinder Block		4	
UFN.131/L	Nut, on Bolts		4	
FG.105/X	Washer, Spring, under Nuts		4	
UFB.137/11R	Bolt, securing Support Brackets to Clutch Housing		4	
UFB.137/23R	Bolt, securing Support Brackets to Clutch Housing		2	
UFN.137/L	Nut, on Bolts		6	
C.726	Washer, Shakeproof, under Nuts		6	

CLUTCH CONTROLS

Part No.	Description	Plate No.	No. per Unit	Remarks
C.9857	SHAFT, HOLDING OPERATING FORK TO CLUTCH HOUSING	20-12	1	
C.9797	FORK, ON SHAFT, OPERATING RELEASE BEARING	20-13	1	
C.8011	Screw (Allen Head) securing Clutch Operating Fork to Shaft	20-14	1	
UFN.125/L	Nut , locking Allen Head Screw	20-15	1	
C.5120	RETURN SPRING FOR CLUTCH OPERATING FORK	20-16	1	NOT REQUIRED WITH SLAVE CYLINDER C.24145
C.5178	Plate , anchoring Return Spring	20-17	1	
C.21470	SLAVE CYLINDER FOR CLUTCH OPERATION (4252/364)		1	Fitted from Engine No. 7B.1001 to 7B.5212 3-4 litre 7B.50001 to 7B.58366 3-8 litre
C.21479	Body only (3232/6392)		1	
8336	Spring (89500)	20-20	1	
6139	Cup Filler , at top of Spring (87575)	20-21	1	
8591	Seal , behind Piston (27526)	20-22	1	
8592	Piston (103439)	20-23	1	
8337	Circlip , retaining Piston in Slave Cylinder Body (K.19714)		1	
6142	Rubber Boot , over end of Slave Cylinder (33427)	20-25	1	
6096	Bleeder Screw , in Slave Cylinder (28696)	20-26	1	
C.24145	SLAVE CYLINDER FOR CLUTCH OPERATION (4252/374)		1	Fitted to Engine No. 7B.5213 to 7B.10993 7B.58367 and subs.
C.24157	Body only (3232/648)		1	
10441	Spring (100479)		1	
10943	Rubber Boot , over end of Slave Cylinder (24978)		1	
All other items are as for Slave Cylinder C.21470				
C.29801	SLAVE CYLINDER, FOR CLUTCH OPERATION (4252/387)	20-18	1	Fitted to Engine No. 7B.10994 and subs. 3-4 litre
C.24157	Body only (3232/648)	20-19	1	
12287	Circlip , retaining Piston in Slave Cylinder Body (K.19714)	20-24	1	
All other items are as for Slave Cylinder C.21470				
C.9858	Stud , mounting Slave Cylinder to Clutch Housing	20-27	2	
UFN.137/L	Nut , on Studs		2	
FG.106/X	Washer , Spring, under Nut		1	
C.726	Washer , Shakeproof, under Nut		1	

CLUTCH CONTROLS

Part No.	Description	Plate No.	No. per Unit	Remarks
8593	REPAIR KIT FOR SERVICING CLUTCH SLAVE CYLINDER (SSB.601)		1	FOR SLAVE CYLINDER C.21470 ONLY
10944	REPAIR KIT FOR SERVICING CLUTCH SLAVE CYLINDER (SSB.608)		1	FOR SLAVE CYLINDER C.24145 ONLY
C.9798	OPERATING ROD BETWEEN SLAVE CYLINDER AND CLUTCH FORK		1	Fitted from Engine No. 7B.1001 to 7B.5212 3-4 litre 7B.50001 to 7B.58366 3-8 litre
C.24148	OPERATING ROD BETWEEN SLAVE CYLINDER AND CLUTCH FORK		1	Fitted from Engine No. 7B.5213 to 7B.6571 3-4 litre 7B.58367 to 7B.60390 3-8 litre
C.25881	OPERATING ROD BETWEEN SLAVE CYLINDER AND CLUTCH FORK		1	Fitted to Engine No. 7B.6572 to 7B.10993 3-4 litre 7B.60391 and subs. 3-8 litre
C.29802	OPERATING ROD BETWEEN SLAVE CYLINDER AND CLUTCH FORK	20-28	1	Fitted to Engine No. 7B.10994 and subs. 3-4 litre
C.10360	ADJUSTER ASSEMBLY FOR OPERATING ROD		1	Fitted from Engine No. 7B.1001 to 7B.5212 3-4 litre 7B.50001 to 7B.58366 3-8 litre
C.9800	Bush, for Adjuster		1	
C.24147	ADJUSTER ASSEMBLY FOR OPERATING ROD		1	Fitted from Engine No. 7B.5213 to 7B.9682 3-4 litre 7B.58367 to 7B.64772 3-8 litre
C.9800	Bush, for Adjuster		1	
C.27325	ADJUSTER ASSEMBLY FOR OPERATING ROD	20-29	1	Fitted to Engine No. 7B.9683 and subs. 3-4 litre 7B.64773 and subs. 3-8 litre
C.20954/4	Bush, for Adjuster		1	
UFN.131/L	Nut, locking Adjuster in Operating Rod		1	
C.27327	Pivot Pin, securing Adjuster to Operating Fork	20-30	1	
C.27328/5	Safety Clip, retaining Pivot Pin	20-31	1	

CLUTCH CONTROLS

Part No.	Description	Plate No.	No. per Unit	Remarks
ADJUSTER ASSEMBLY FOR OPERATING ROD (Cont'd)				
UFN.231/L	Nut, locking Adjuster to Operating Rod		1	
C.9801	Pivot Pin, securing Adjuster to Clutch Operating Fork		1	
L.103/7U	Split Pin, securing Pivot Pin		1	
FW.105/T	Washer, Plain, behind Split Pin		1	
BD.1708/1	Washer, Spring, behind Plain Washer		1	
C.12737	PIPE ASSEMBLY BETWEEN SLAVE CYLINDER AND FLEXIBLE HOSE (T.52/25B)		1	FOR R.H. DRIVE AND L.H. DRIVE CARS Fitted from Engine No. 7B.1001 to 7B.5212 3-4 litre 7B.50001 to 7B.58366 3-8 litre
C.25718	PIPE ASSEMBLY BETWEEN SLAVE CYLINDER AND FLEXIBLE HOSE	20-32	1	FOR R.H. DRIVE CARS ONLY Fitted to Engine No. 7B.5213 and subs. 3-4 litre 7B.58367 and subs. 3-8 litre
C.25625	PIPE ASSEMBLY BETWEEN SLAVE CYLINDER AND FLEXIBLE HOSE		1	FOR L.H. DRIVE CARS ONLY Fitted to Engine No. 7B.5213 and subs. 3-4 litre 7B.58367 and subs. 3-8 litre
C.11674	Clip, securing Pipe	20-33	1	
C.11603	FLEXIBLE HOSE BETWEEN HYDRAULIC PIPES (KL.93475)	20-34	1	
UFN.237/L	Nut, securing Flexible Hoses	20-35	2	
C.741	Washer, Shakeproof, under Nuts	20-36	2	
C.12731	Bracket, on rear Cylinder Head Studs, supporting Flexible Hose	20-37	1	
C.17454	Tab Washer, retaining Hose to Bracket		1	
C.23108	PIPE ASSEMBLY BETWEEN FLEXIBLE HOSE AND CLUTCH MASTER CYLINDER (VBO.6076/25½")	20-38	1	R.H. DRIVE CARS ONLY
C.23630	PIPE ASSEMBLY BETWEEN FLEXIBLE HOSE AND CLUTCH MASTER CYLINDER (VBO.6076/22¾)		1	L.H. DRIVE CARS ONLY
C.22688	CLUTCH MASTER CYLINDER ASSEMBLY (VBM.4734)		1	FITTED TO R.H. DRIVE CARS from Chassis No. 1B.1001 to 1B.8385 3-4 litre 1B.50001 to 1B.59333 3-8 litre AND TO ALL L.H. DRIVE CARS
10128	Body (VBM.5380)		1	
8296	Recuperation Seal, on Valve (VBO.4842)		1	
8545	Valve (VBO.7465)		1	
6943	Spring, on Valve (VBO.1410)		1	
8547	Support, for Valve Spring (VBM.4451)		1	
8548	Main Spring (VBO.7551)		1	
9314	Support, for Main Spring (VBO.8885)		1	
8549	Cup Seal, on Piston (VBO.8206)		1	
8544	Piston (VBO.7550)		1	
8550	Static Seal, on Piston (VBO.7554)		1	
10129	Push Rod Assembly (VBO.9794)		1	
9660	Circlip, retaining Push Rod (VBO.7931)		1	
6945	Dust Excluder, at end of Cylinder Body (VBO.1869)		1	

CLUTCH CONTROLS

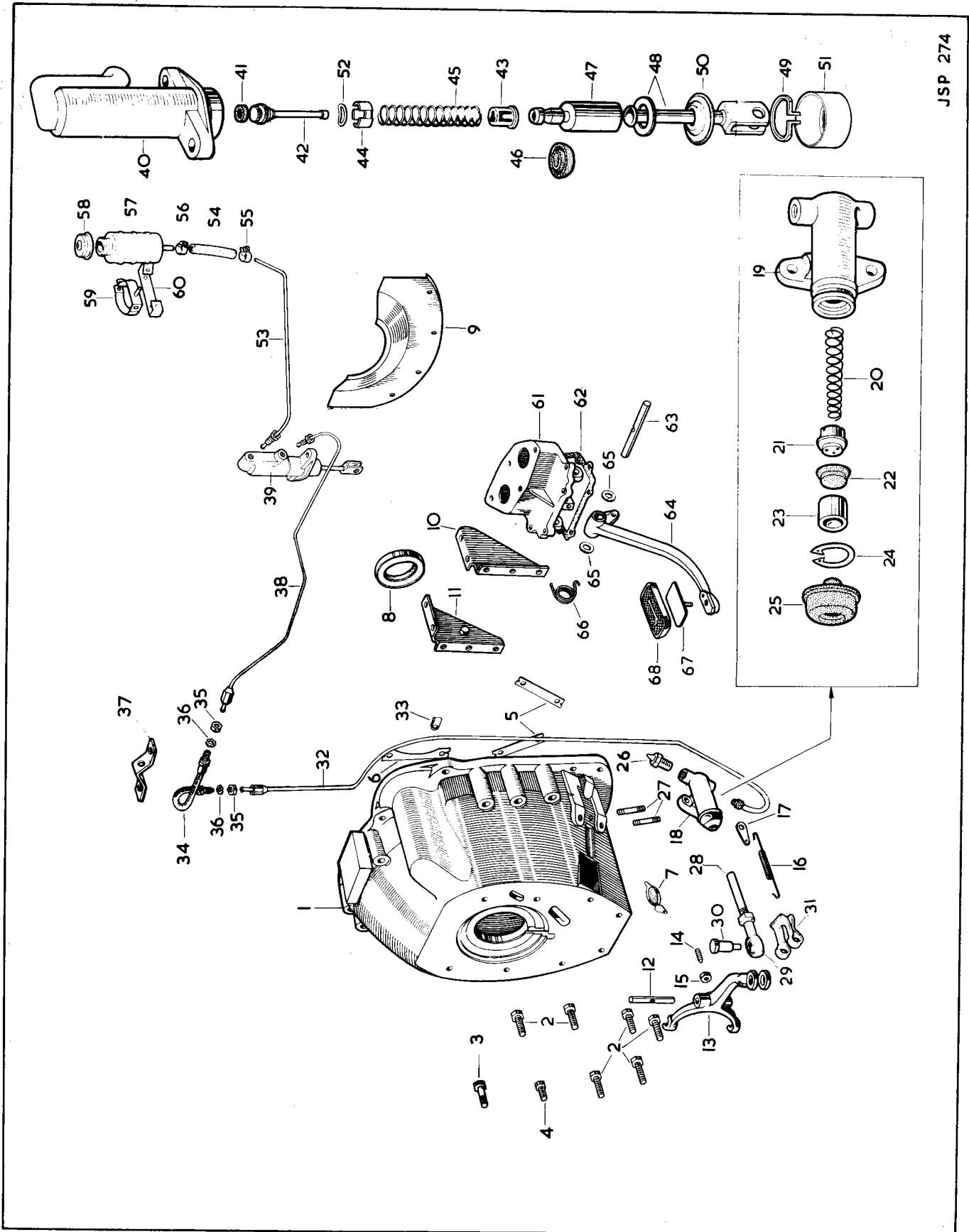
Part No.	Description	Plate No.	No. per Unit	Remarks
C.27159	CLUTCH MASTER CYLINDER ASSEMBLY (64068722)	20-39	1	R.H. DRIVE CARS ONLY Fitted to Chassis No. 1B.8386 and subs. 3-4 litre 1B.59334 and subs. 3-8 litre
N.S.S.	Body (64674910)	20-40	1	
N.S.S.	Seal, on Valve (362802)	20-41	1	
7350	Valve (378641)	20-42	1	
11600	Spring Retainer (64673391)	20-43	1	
7349	Spacer (318001)	20-44	1	
N.S.S.	Spring (64673425)	20-45	1	
N.S.S.	Seal, for Plunger (64673407)	20-46	1	
11601	Plunger (64673424)	20-47	1	
11602	Push Rod Assembly (391011)	20-48	1	
N.S.S.	Circlip (378920)	20-49	1	
N.S.S.	Dust Cover (64673975)	20-50	1	
11603	Retainer, for Dust Cover (378071)	20-51	1	
N.S.S.	Spring Washer (378960)	20-52	1	
C.8956	Stud, mounting Clutch Master Cylinder to Housing		2	FOR USE WITH MASTER CYLINDER C.22688
C.18232	Stud, mounting Clutch Master Cylinder to Housing		2	FOR USE WITH MASTER CYLINDER C.27159
C.27162	Spacer, between Master Cylinder and Housing (64676096)		1	
UFN.131/L	Nut, on Studs, securing Clutch Master Cylinder		2	
C.725	Washer, Shakeproof, under Nuts		2	
J.105/9.5S	Clevis Pin, securing Clutch Master Cylinder Jaw to Clutch Pedal		1	
L.103/7U	Split Pin, retaining Clevis Pin		1	
FW.105/T	Washer, Plain, behind Split Pin		1	
8552	REPAIR KIT FOR SERVICING CLUTCH MASTER CYLINDER (VBO.8063) (COMPRISING: RECUPERATING SEAL, CUP SEAL, STATIC SEAL, DUST EXCLUDER, AND TUBE OF RUBBER GREASE)		1	FOR MASTER CYLINDER C.22688 ONLY
11604	REPAIR KIT FOR SERVICING CLUTCH MASTER CYLINDER (SP.2206) (COMPRISING: PLUNGER SEAL, VALVE SEAL, SPRING WASHER, CIRCLIP, AND DUST COVER)		1	FOR MASTER CYLINDER C.27159 ONLY
C.23704	PIPE ASSEMBLY BETWEEN CLUTCH MASTER CYLINDER AND LOW PRESSURE HOSE	20-53	1	R.H. DRIVE CARS ONLY
C.22760	PIPE ASSEMBLY BETWEEN CLUTCH MASTER CYLINDER AND LOW PRESSURE HOSE		1	L.H. DRIVE CARS ONLY

CLUTCH CONTROLS

Part No.	Description	Plate No.	No. per Unit	Remarks
C.6854	LOW PRESSURE HOSE BETWEEN PIPE AND CLUTCH FLUID CONTAINER	20-54	1	
C.15886/5	Clip, securing Hose to Pipe	20-55	1	
C.15886/3	Clip, securing Hose to Container	20-56	1	
C.22759	CLUTCH FLUID CONTAINER	20-57	1	
1578	Cap, on Container	20-58	1	
C.19336	Clip, around Fluid Container	20-59	1	
UFS.319/8H	Screw, Set, securing Clip to Container		1	
UFN.119/L	Nut, on Setscrew		1	
C.723/A	Washer, Shakeproof, under Nut		1	
UFN.125/L	Nut, securing Clip to Mounting Bracket		1	
C.724	Washer, Shakeproof, under Nut		1	
FW.104/T	Washer, Plain, under Shakeproof Washer		1	
C.23116	BRACKET MOUNTING CLUTCH AND BRAKE FLUID CONTAINERS	20-60	1	} R.H. DRIVE CARS ONLY
UFS.125/8R	Screw, Set, securing Bracket to Valance		2	
UFN.125/L	Nut, on Setscrews		2	
C.724	Washer, Shakeproof, under Nuts		2	
FW.104/T	Washer, Plain, under Shakeproof Washers		2	
C.22754	BRACKET MOUNTING CLUTCH AND BRAKE FLUID CONTAINERS		1	} L.H. DRIVE CARS ONLY
UFS.125/4R	Screw, Set, securing Bracket to Valance		1	
C.724	Washer, Shakeproof, under Nut		1	
C.22858	HOUSING FOR CLUTCH PEDAL	20-61	1	
C.8954	Stud, mounting Housing to Scuttle		7	
UFN.131/L	Nut, on Studs		7	
C.725	Washer, Shakeproof, under Nuts		7	
C.8957	Gasket, between Housing and Scuttle	20-62		1 REQUIRED FOR R.H. DRIVE CARS
		See remarks		2 REQUIRED FOR L.H. DRIVE CARS
C.8958	SHAFT, SUPPORTING CLUTCH PEDAL IN HOUSING	20-63	1	
C.8967	Bolt, securing Shaft in Housing		1	
C.8737/1	Nut, on Bolt		1	
FW.104/T	Washer, Plain, under Nut		1	

CLUTCH CONTROLS

Part No.	Description	Plate No.	No. per Unit	Remarks
C.13246	CLUTCH PEDAL (COMPLETE WITH BUSHES)	20-64	1	R.H. DRIVE CARS ONLY
C.20955/4	Bush, in Clutch Pedal Boss		2	
C.13248	CLUTCH PEDAL (COMPLETE WITH BUSHES)		1	L.H. DRIVE CARS ONLY
C.20955/4	Bush, in Clutch Pedal Boss		2	
C.8962	Washer (Fibre) at each side of Pedal Boss	20-65	2	
C.8966	RETURN SPRING FOR CLUTCH PEDAL	20-66	1	
C.14852	STEEL PAD FOR CLUTCH PEDAL	20-67	1	
C.8667/2	Nut, securing Steel Pad to Clutch Pedal		1	
C.8969	RUBBER PAD FOR CLUTCH PEDAL	20-68	1	
C.8971	COVER PLATE FOR REDUNDANT PEDAL MOUNTING CUT-OUT (171/265)		1	
C.8957	Gasket, under Cover Plate		1	
UFS.125/5R	Screw, Set, securing Cover Plate		4	
UFN.125/L	Nut, on Setscrews		4	
C.724	Washer, Shakeproof, under Nuts		4	
FW.104/T	Washer, Plain, under Shakeproof Washers		4	
C.25337	COVER PLATE BLANKING REDUNDANT HOLE FOR CLUTCH MASTER CYLINDER		1	} FOR USE ONLY WHEN AUTOMATIC TRANSMISSION IS FITTED
UCS.131/4R	Screw, Set, securing Cover Plate to Scuttle		2	
C.725	Washer, Shakeproof, on Setscrews		2	



STANDARD TRANSMISSION GEARBOX

FITTED FROM CHASSIS NO. 1B.1001 TO 1B.2767 } 3-4 LITRE 1B.50001 TO 1B.52997 }
 1B.25001 TO 1B.25379 } 1B.75001 TO 1B.76907 } 3-8 LITRE

Part No.	Description	Plate No.	No. per Unit	Remarks
C.24215	GEARBOX ASSEMBLY ("G.B." SERIES)		1	SHAVED GEARS, IDENTIFIED BY PREFIX "GB" AND SUFFIX "JS" TO THE SERIAL NUMBER
C.19208	GEARBOX CASE	21-1	1	
C.799	Drain Plug, at bottom of Casing	21-2	1	
C.785	Washer (Fibre) on Drain Plug	21-3	1	
C.799	Oil Filler Plug, at left hand side of Case	21-4	1	
C.785	Washer (Fibre) on Oil Filler Plug	21-5	1	
C.857	Plate, locking Counter and Reverse Shafts	21-6	1	
FS.205/7D	Screw, Set, securing Locking Plate	21-7	1	
FG.105/X	Washer, Spring, on Setscrew	21-8	1	
C.1845	Ball Bearing, for Mainshaft (MS.12½K)	21-9	1	
C.1855	Circlip, securing Mainshaft Bearing	21-10	1	
C.1838	Ball Bearing, for Constant Pinion Shaft (Hoff.340.K)	21-11	1	
C.12195	Collar, between Casing and Circlip	21-12	1	
C.1840	Circlip, on Bearing, behind Collar	21-13	1	
C.920	Blanking Disc (Fibre) in Casing, at Front end of Counter Shaft	21-14	1	
C.1834	Gasket, between Gearbox Case and Clutch Housing	21-15	1	
C.12560	GEARBOX EXTENSION ASSEMBLY	21-16	1	
C.19209	Gasket, between Gearbox Extension and Case	21-17	1	
FS.105/9R	Screw, Set, securing Extension to Gearbox Case		7	
FG.105/X	Washer, Spring, on Setscrews		7	
C.9836	OIL SEAL AT END OF GEARBOX EXTENSION	21-18	1	
C.12378	SPEEDOMETER DRIVEN GEAR ASSEMBLY	21-19	1	
C.9177	'O' Ring, around Driven Gear Bearing	21-20	1	
C.846	Dowel Screw, securing Speedometer Driven Gear in Gearbox Extension	21-21	1	
FW.105/E	Washer (Copper) on Dowel Screw		1	
STRIKING GEAR				
C.9841	Striking Rod Assembly, 1st/2nd Gears (complete with Interlock Rollers)	21-22	1	
C.9846	Striking Rod, 3rd/Top Gears	21-23	1	
C.9845	Striking Rod, Reverse Gear	21-24	1	
C.9854	Stop, for 1st/2nd Speed Striking Rod	21-25	1	
C.9851	Change-Speed Fork, 1st/2nd Gears	21-26	1	
C.9852	Change-Speed Fork, 3rd/Top Gears	21-27	1	
C.9847	Change-Speed Fork, Reverse Gear	21-28	1	
C.9853	Selector, 3rd/Top Gears	21-29	1	
C.9848	Plunger, in Change-Speed Fork, for Reverse Selection	21-30	1	
C.9849	Spring, tensioning Reverse Plunger	21-31	1	
C.1319	Ball, locking Reverse Plunger	21-32	1	
C.14704	Spring, loading Locking Ball	21-33	1	
C.19772	Dowel Screw, locating Change-Speed Forks, Selector and 2nd Speed Stop, on Striking Rods	21-34	5	
C.837	Wire, locking Dowel Screws		As req'd	
C.922	Ball, between Striking Rods, for Interlock	21-35	2	

STANDARD TRANSMISSION GEARBOX

FITTED FROM CHASSIS NO. 1B.1001 TO 1B.2767 } 3.4 LITRE
 1B.25001 TO 1B.25379 }
 1B.50001 TO 1B.52997 } 3.8 LITRE
 1B.75001 TO 1B.76907 }

Part No.	Description	Plate No.	No. per Unit	Remarks
10462	REMOTE CONTROL, COMPLETE (SD.1137) (COMPRISING: TOP COVER, STRIKING RODS, FORKS, SELECTORS, CHANGE-SPEED LEVER, ETC.)	21-36	1	
C.13332	TOP COVER	21-37	1	
C.1083	Switch, for Top Cover, operating Reversing Light	21-38	1	
C.4531	Gasket, for Switch	21-39	1	
C.860	Gasket, between Top Cover and Gearbox Case	21-40	1	
FS.105/7D	Bolt, securing Top Cover to Gearbox Case	21-41	6	
FB.105/11D	Bolt, securing Top Cover to Gearbox Case	21-42	2	
FB.105/15D	Bolt, securing Top Cover to Gearbox Case	21-43	2	
FG.105/X	Washer, Spring, on Bolts	21-44	10	
OD.105/6H	Dowel, positioning Top Cover to Casing	21-45	2	
C.1319	Ball, engaging Striking Rods	21-46	3	
C.13334	Plunger, holding Balls in position	21-47	3	
C.845	Spring, at top of Plunger	21-48	3	
C.13333	Shim, for Spring Tension		As req'd	
C.841	Breather, at top of Cover or at R.H. side of Change-Speed Lever Housing	21-49	1	
C.930	Washer (Fibre) for Breather	21-50	1	} Required only when Breather is fitted to Change-Speed Lever Housing
C.18442	Plug, sealing redundant Breather Aperture in Top Cover	21-51	1	
C.930	Washer (Fibre) on Plug	21-52	1	
C.7426	Stud, in Top Cover, for fixing of Change-Speed Lever Housing	21-53	4	
NN.131/L	Nut, on Studs		4	
FG.105/X	Washer, Spring, under Nuts		4	
C.9840	Welch Washer, 7/16" diameter, at L.H. side of Top Cover	21-54	2	
787	Welch Washer, 5/8" diameter, at front and rear of Top Cover (ends of Striking Rods)	21-55	6	
C.799	Plug, in Dipstick Aperture	21-56	1	
C.785	Washer (Fibre) on Plug	21-57	1	
C.7379	Plug, sealing redundant hole for Overdrive Switch in Top Cover	21-58	1	
C.2296/1	Washer (Copper) on Plug	21-59	1	
C.14468	HOUSING, ON TOP COVER, FOR CHANGE-SPEED LEVER	21-60	1	
C.1907	Bush, inside Housing, for Pivot Jaw	21-61	1	
C.13338	Gasket, under Housing	21-62	1	
C.12454	'O' RING, IN HOUSING, FOR REMOTE CONTROL SHAFT	21-63	1	
C.13335	Retaining Cup, for 'O' Ring	21-64	1	
C.14305	REMOTE CONTROL SHAFT	21-65	1	

STANDARD TRANSMISSION GEARBOX

FITTED FROM CHASSIS NO. 1B.1001 TO 1B.2767 } 3-4 LITRE
 1B.25001 TO 1B.25379 }
 1B.50001 TO 1B.52997 } 3-8 LITRE
 1B.75001 TO 1B.76907 }

Part No.	Description	Plate No.	No. per Unit	Remarks
C.13341	SELECTOR FINGER, ON REMOTE CONTROL SHAFT	21-66	1	
C.19772	Dowel Screw , securing Selector Finger to Remote Control Shaft	21-67	1	
C.837	Wire , locking Dowel Screw		As req'd	
787	Welch Washer , 5/8" diameter, at rear of Housing	21-68	1	
C.21104	PIVOT JAW, HOUSING SELECTOR LEVER	21-69	1	
C.1894	Washer (Fibre) at each side of Housing Turret	21-70	2	
C.1905	Washer , Double Coil Spring, between 'D' Washer and Fibre Washer	21-71	1	
C.1914	'D' Washer , on Pivot Jaw, adjacent to Nut	21-72	1	
FN.407/L	Nut , slotted, securing Pivot Jaw to Housing	21-73	1	} FN.407/L AND L.103/8U SUPERSEDED BY C.8734
L.103/8U	Split Pin , securing Nut	21-74	1	
C.8734	Nut , (Nyloc) securing Pivot Jaw to Housing		1	
C.21926	SELECTOR LEVER ON END OF CHANGE-SPEED LEVER	21-75	1	
C.1906	Bush , inside Selector Lever	21-76	1	
C.1908	Washer , (Fibre) at each side of Selector Lever	21-77	2	
C.1929	Washer , Double Coil Spring, between Fibre Washer and Selector Lever	21-78	1	
C.1912	Pivot Pin , mounting Selector Lever in Pivot Jaw	21-79	1	
FN.407/L	Nut , Slotted, securing Pivot Pin		1	
L.103/8U	Split Pin , retaining Nut		1	
C.23633	CHANGE-SPEED LEVER	21-80	1	
C.21923/1	Knob , for Change-Speed Lever	21-81	1	
C.21924	Cone , locking Knob to Change-Speed Lever	21-82	1	
C.1915	UPPER BUSH, HOUSING CHANGE-SPEED LEVER IN SELECTOR LEVER	21-83	1	
C.1919	Washer , at top of Upper Bush	21-84	1	
C.21921	LOWER BUSH, HOUSING CHANGE-SPEED LEVER IN SELECTOR LEVER	21-85	1	
C.1904	Washer , at bottom of Lower Bush	21-86	1	
C.8150/33	Nut , Self-Locking, securing Change-Speed Lever to Selector Lever		1	

STANDARD TRANSMISSION GEARBOX

FITTED FROM CHASSIS NO. 1B.1001 TO 1B.2767 } 3-4 LITRE 1B.50001 TO 1B.52997 } 3-8 LITRE
1B.25001 TO 1B.25379 } 1B.75001 TO 1B.76907 }

Part No.	Description	Plate No.	No. per Unit	Remarks
C.9829	MAINSHAFT	22-1	1	
C.9830	Speedometer Driving Gear	22-2	1	
C.754	Key , positioning Speedometer Driving Gear on Mainshaft	22-3	1	
C.9831	Nut , securing Speedometer Driving Gear on Mainshaft	22-4	1	
C.9832	Tab Washer , securing Nut	22-5	1	
C.10209	Synchronising Sleeve , 2nd Speed	22-6	1	
C.900	Spring , in 2nd and 3rd/Top Synchro Sleeves	22-7	12	
C.922	Ball , at top of Springs and Plunger in 2nd and 3rd/Top Synchro Sleeves	22-8	13	
C.901	Plunger , in 2nd Speed Synchro Sleeve (-.490" long)	22-9	1	} SELECTIVE SIZES
C.901/1	Plunger , in 2nd Speed Synchro Sleeve (-.495" long)	22-9	1	
C.901/2	Plunger , in 2nd Speed Synchro Sleeve (-.500" long)	22-9	1	
C.10201	Gear , 1st Speed Mainshaft	22-10	1	
C.10202	Gear , 2nd Speed Mainshaft	22-11	1	
C.10203	Gear , 3rd Speed Mainshaft	22-12	1	
C.1850/1	Needle Roller , in 2nd and 3rd Speed Gears (3.5 mm.+ .0001"-.0000")	22-13	82	} USE ROLLERS OF ONE GRADE IN INDIVIDUAL GEAR ASSEMBLIES
C.1850/2	Needle Roller , in 2nd and 3rd Speed Gears (3.5 mm.+ .0000"-.0001")	22-13	82	
C.1850/3	Needle Roller , in 2nd and 3rd Speed Gears (3.5 mm.-.0001"-.0002")	22-13	82	
C.1849	Plunger , in Mainshaft, locking 2nd and 3rd Speed Gears	22-14	2	
C.1324	Spring , under Plungers	22-15	2	
C.10206/1	Thrust Washer , front and rear of 2nd and 3rd Speed Gears (-.471"/-.472" thick)	22-16	2	} SELECTIVE SIZES
C.10206/2	Thrust Washer , front and rear of 2nd and 3rd Speed Gears (-.473"/-.474" thick)	22-16	2	
C.10206/3	Thrust Washer , front and rear of 2nd and 3rd Speed Gears (-.475"/-.476" thick)	22-16	2	
C.10208	Synchronising Sleeve , 3rd/Top Speeds	22-17	1	
C.901	Plunger , in 3rd/Top Synchro Sleeve (-.490" long)	22-18	2	} SELECTIVE SIZES
C.901/1	Plunger , in 3rd/Top Synchro Sleeve (-.495" long)	22-18	2	
C.901/2	Plunger , in 3rd/Top Synchro Sleeve (-.500" long)	22-18	2	
C.922	Ball , at top of Plunger, in 3rd/Top Synchro Sleeve	22-19	2	
C.4049/1	Operating Sleeve , 3rd/Top Speeds	22-20	1	
C.903	Shim , under Springs in Synchro Sleeves (-.006" thick)	22-21	As req'd	} SELECTIVE SIZES
C.914	Shim , under Springs in Synchro Sleeves (-.028" thick)	22-21	As req'd	
C.10200	CONSTANT PINION SHAFT ASSEMBLY	22-22	1	
C.1843	Roller Bearing , inside Constant Pinion Shaft	22-23	1	
C.2121	Oil Thrower , on Constant Pinion Shaft	22-24	1	
C.11932	Locknut , on Constant Pinion Shaft, securing Front Bearing	22-25	1	
C.11933	Tab Washer , retaining Locknut	22-26	1	
C.2070	REVERSE SPINDLE	22-27	1	
C.10205/1	Reverse Gear (complete with Bush)	22-28	1	
C.1893	Lever , operating Reverse Gear	22-29	1	
C.1899	Fulcrum Pin , for Operating Lever	22-30	1	
C.777	Nut , slotted, securing Fulcrum Pin	22-31	1	
FW.106/T	Washer , Plain, under Slotted Nut	22-32	1	
L.103/8U	Split Pin , retaining Slotted Nut and Reverse Slipper	22-33	2	
C.866	Reverse Slipper	22-34	1	
C.4284	Sealing Ring , on Reverse Spindle	22-35	1	
C.1856	COUNTERSHAFT	22-36	1	

STANDARD TRANSMISSION GEARBOX

FITTED FROM CHASSIS NO. 1B.1001 TO 1B.2767 } 3.4 LITRE 1B.50001 TO 1B.52997 }
 1B.25001 TO 1B.25379 } 1B.75001 TO 1B.76907 } 3.8 LITRE

Part No.	Description	Plate No.	No. per Unit	Remarks
C.10204	GEAR UNIT (CLUSTER) ON COUNTERSHAFT	22-37	1	
C.1864	Retaining Ring, at rear of Needle Rollers	22-38	2	} USE ROLLERS OF ONE GRADE IN INDIVIDUAL GEAR ASSEMBLIES
C.918/1	Needle Roller (3 mm.+0001"—0000")	22-39	58	
C.918/2	Needle Roller (3 mm.+0000"—0001")	22-39	58	
C.918/3	Needle Roller (3 mm.—0001"—0002")	22-39	58	
C.1861	Thrust Washer, inner, at rear of Gear Unit, adjacent to Needle Rollers	22-40	1	
C.1862	Thrust Washer, outer, at rear of Gear Unit (.156" thick)	22-41	1	} SELECTIVE SIZES. USE AS NECESSARY TO OBTAIN .002"/.004" END FLOAT
C.1862/1	Thrust Washer, outer, at rear of Gear Unit (.159" thick)	22-41	1	
C.1862/2	Thrust Washer, outer, at rear of Gear Unit (.162" thick)	22-41	1	
C.1862/3	Thrust Washer, outer, at rear of Gear Unit (.152" thick)	22-41	1	
C.1862/4	Thrust Washer, outer, at rear of Gear Unit (.164" thick)	22-41	1	
C.10210	Retaining Ring, on outer end of front Needle Rollers	22-42	1	
C.8835	Thrust Washer, inner, at end of Gear Unit	22-43	1	
C.1859	Thrust Washer, outer, at front end of Gear Unit	22-44	1	
C.4285	Sealing Ring, on Countershaft	22-45	1	

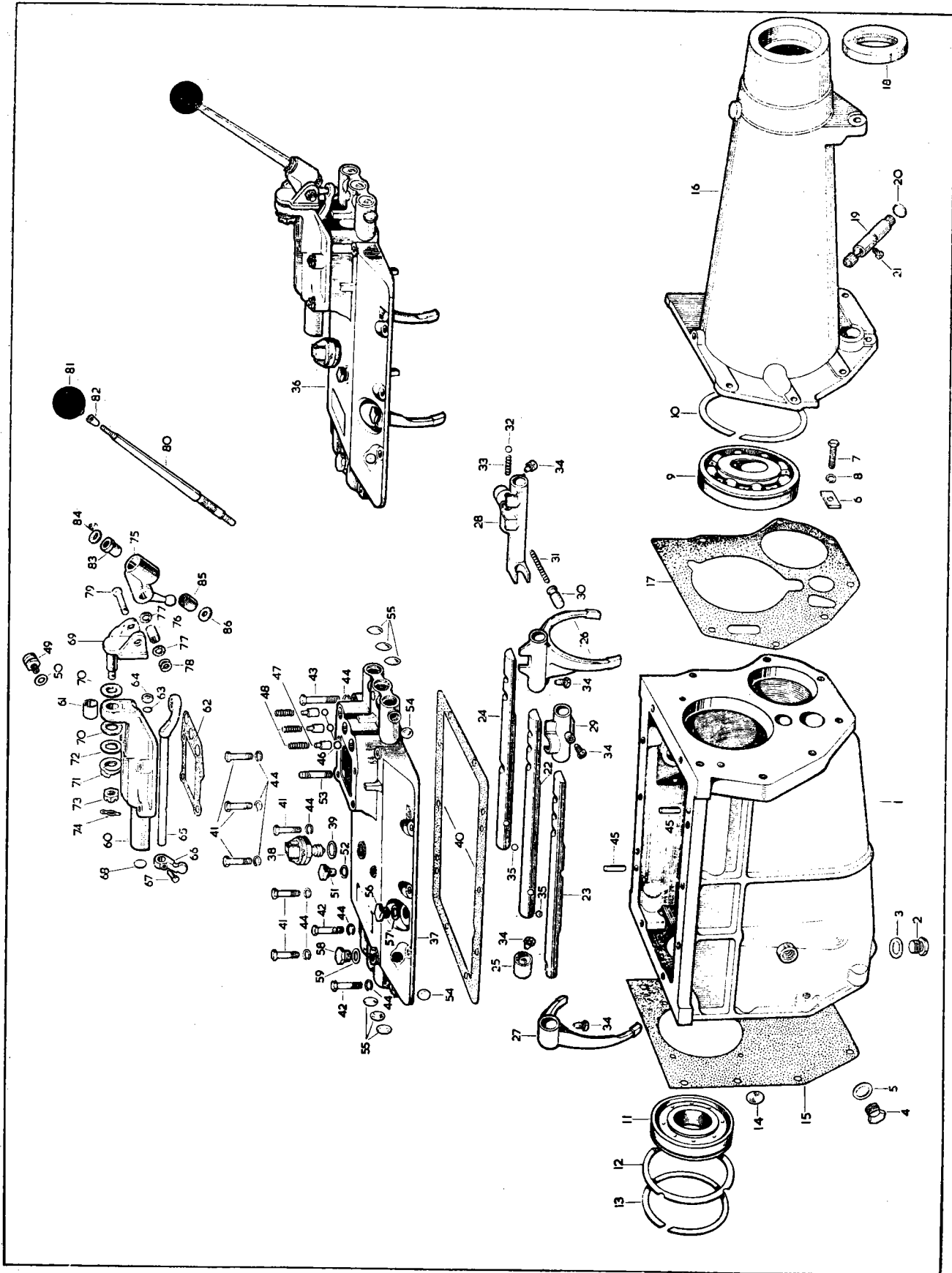


PLATE 21

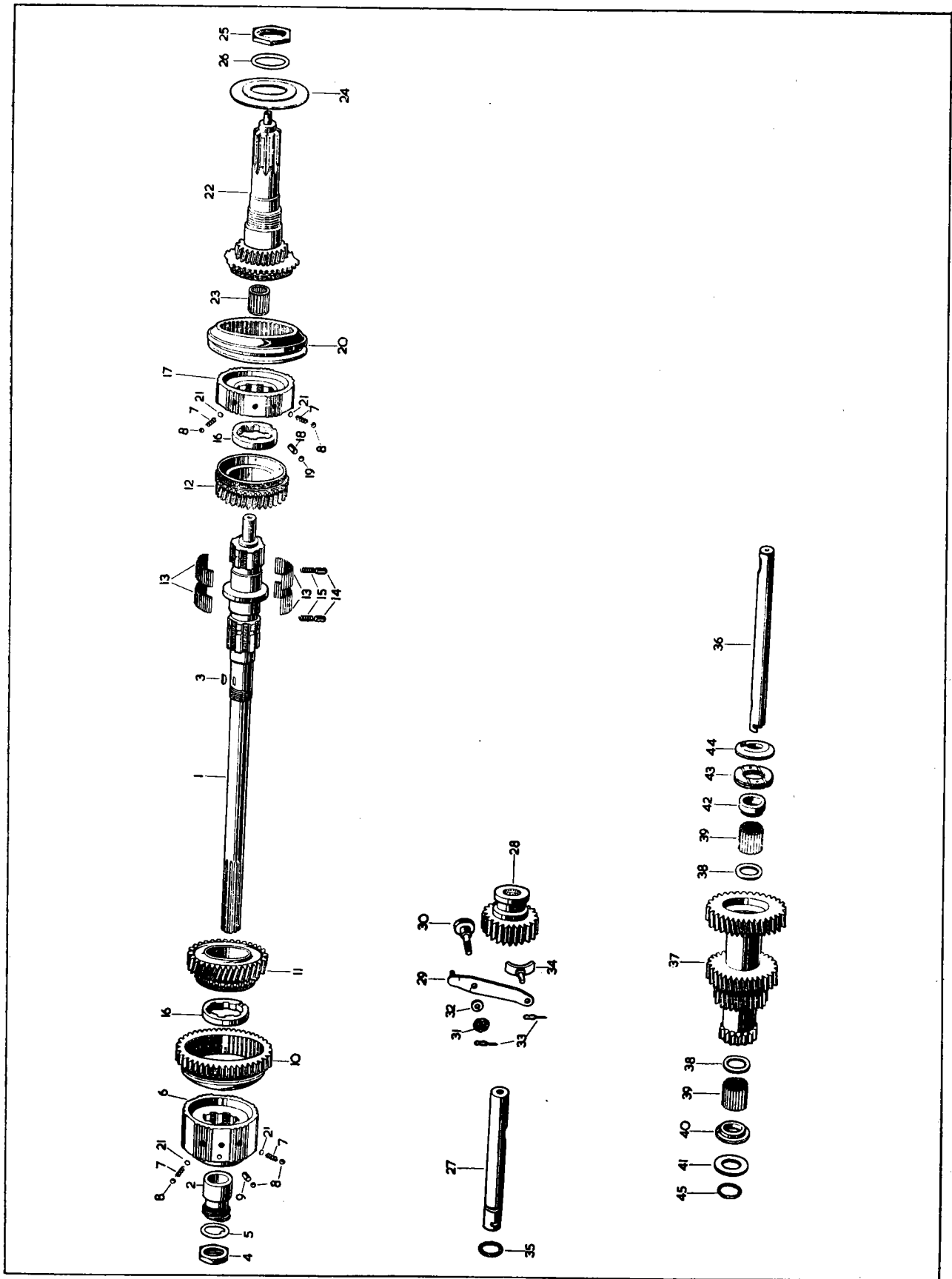


PLATE 22

STANDARD TRANSMISSION GEARBOX

FITTED TO CHASSIS NO. 1B.2768 AND SUBS. }
1B.25380 AND SUBS. } 3.4 LITRE

1B.52998 AND SUBS. }
1B.76908 AND SUBS. } 3.8 LITRE

Part No.	Description	Plate No.	No. per Unit	Remarks
C.20018	GEARBOX ASSEMBLY ('J.B.' SERIES)		1	STANDARD RATIO GEARS
C.26305	GEARBOX ASSEMBLY ('J.B.' SERIES)		1	CLOSE RATIO GEARS SUPPLIED TO SPECIAL ORDERS ONLY
C.20019	GEARBOX CASE	23-1	1	
C.19543	Oil Drain Plug (Magnetic) at bottom of Case	23-2	1	
C.799	Oil Filter Plug , at L.H. side of Case	23-3	1	
C.785	Washer (Fibre) on Plugs	23-4	2	
C.1845/1	Ball Bearing , for Mainshaft (MS. 12½K)	23-5	1	
C.1855	Circlip , around Ball Bearing	23-6	1	
C.20491	Ball Bearing , for Constant Pinion Shaft (MS. 13½K) (complete with Circlip, C.20492)	23-7	1	
C.20492	Circlip , around Ball Bearing	23-8	1	
C.20494	Collar , between Circlip and Gearbox Case	23-9	1	
C.920	Blanking Disc (Fibre) in Case, at front of Countershaft	23-10	1	
C.22837	Filter Gauze , in rear of Gearbox Case	23-11	1	
C.20658	Gasket , between Gearbox and Clutch Housing	23-12	1	
C.21306	OIL PUMP BODY AT REAR OF GEARBOX CASE	23-13	1	
C.21308	Inner Gear , for Oil Pump	23-14	1	
C.21307	Outer Gear , for Oil Pump	23-15	1	
C.21309	Pin , on Mainshaft, driving Oil Pump	23-16	1	
UCS,519/5H	Screw , Set, securing Oil Pump Body to Rear End Cover		3	
C.22950	REAR END COVER	23-17	1	
C.20020	Gasket , between Rear End Cover and Gearbox Case	23-18	1	
UFS.131/9R	Screw , Set, securing Rear End Cover to Gearbox Case		7	
FG.105/X	Washer , Spring, on Setscrews		7	
UCS.131/3R	Plug , at top of Rear End Cover	23-19	1	
FW.105/E	Washer (Copper) on Plug	23-20	1	
C.18719	Ball Bearing , in Rear End Cover, supporting Mainshaft	23-21	1	
C.23392	SPEEDOMETER DRIVEN GEAR	23-22	1	
C.21312	BEARING ASSEMBLY FOR SPEEDOMETER DRIVEN GEAR	23-23	1	
C.12377/1	Oil Seal , in Bearing, for Speedometer Driven Gear	23-24	1	
C.9177	'O' Ring , around Bearing	23-25	1	
C.22999	Screw , locking Bearing in Rear End Cover	23-26	1	
FG.105/X	Washer , Spring, on Locking Screw	23-27	1	

STANDARD TRANSMISSION GEARBOX

FITTED TO CHASSIS NO. 1B.2768 AND SUBS.
1B.25380 AND SUBS. } 3.4 LITRE 1B.52998 AND SUBS.
1B.76908 AND SUBS. } 3.8 LITRE

Part No.	Description	Plate No.	No. per Unit	Remarks
C.23394	OIL SEAL AT END OF REAR COVER	23-28	1	
11122	REMOTE CONTROL, COMPLETE (SD.1148) (COMPRISING: TOP COVER, STRIKING RODS, CHANGE-SPEED LEVER, FORKS, SELECTOR LEVER, ETC.)	23-29	1	
STRIKING GEAR				
C.24915	Striking Rod , 1st/2nd Gears	23-30	1	
C.24914	Striking Rod , 3rd/4th Gears	23-31	1	
C.21478	Striking Rod , Reverse Gear	23-32	1	
C.20060	'O' Ring , on Striking Rods	23-33	3	
C.20315	Stop , for 1st/2nd Striking Rod	23-34	1	
C.20316	Stop , for 3rd/4th Striking Rod	23-35	1	
C.21572	Change-Speed Fork , for 1st/2nd and 3rd/4th Gears	23-36	2	
C.21616	Change-Speed Fork , for Reverse Gear	23-37	1	
C.22925	Locating Arm , on Reverse Striking Rod	23-38	1	
C.25468	Plunger , in Reverse Striking Rod	23-39	1	
C.9849	Spring , behind Plunger	23-40	1	
C.1319	Ball , locking Reverse Plunger	23-41	1	
C.20065	Spring , loading Locking Ball	23-42	1	
UFS.131/5R	Screw , Set, adjusting Spring Tension	23-43	1	
UFN.231/L	Nut , locking Setscrew	23-44	1	
C.20314	Dowel Screw , securing Change-Speed Forks and Locating Arm on Striking Rods	23-45	4	
C.837	Wire , locking Dowel Screws		As req'd	
C.20066	Roller , in 1st/2nd Striking Rod, for interlock	23-46	1	
C.922	Ball , between Striking Rods, for interlock	23-47	2	
TOP COVER				
C.20056		23-48	1	
C.1083	Switch in Top Cover, operating Reversing Lamp 31542-SS.10/1)	23-49	1	} See also Electrical Equipment
C.4531	Gasket , for Switch (16382)	23-50	1	
C.7379	Plug in Top Cover, sealing redundant hole for Top Gear Switch	23-51	1	
C.2296/1	Washer (Copper) on Plug	23-52	1	
C.20057	Gasket , between Top Cover and Gearbox Case	23-53	1	
UFS.131/8R	Screw , Set, securing Top Cover to Gearbox Case		6	
UFB.131/13R	Bolt , securing Top Cover to Gearbox Case		4	
C.16816	Washer , Spring, on Setscrews and Bolts		10	
OD.105/6H	Dowel , locating Top Cover on Gearbox Case	23-54	2	
C.1319	Ball , engaging Reverse Striking Rod	23-55	1	
C.13334	Plunger , holding Ball	23-56	1	
C.845	Spring , at top of Ball	23-57	1	
C.9840	Welch Washer , 1/16" diameter at L.H. side of Top Cover	23-58	1	
C.26113	Welch Washer , 3/8" diameter at front of Top Cover (end of Striking Rods)	23-59	3	
C.841	Breather , in Top Cover	23-60	1	
C.930	Washer (Fibre) on Breather	23-61	1	

STANDARD TRANSMISSION GEARBOX

FITTED TO CHASSIS NO. 1B.2768 AND SUBS. }
1B.25380 AND SUBS. } 3-4 LITRE

1B.52998 AND SUBS. }
1B.76908 AND SUBS. } 3-8 LITRE

Part No.	Description	Plate No.	No. per Unit	Remarks
C.21104	PIVOT JAW, HOUSING SELECTOR LEVER	23-62	1	
C.1907	Bush , in Top Cover for Pivot Jaw	23-63	1	
C.1894	Washer (Tufnol) at front and rear of Bush	23-64	2	
C.8737/4	Nut , Self-Locking, retaining Pivot Jaw to Top Cover	23-65	1	
C.1905	Washer , Spring (Double Coil) under Nut	23-66	1	
C.1914	'D' Washer , between Spring Washer and Fibre Washer	23-67	1	
C.20067	SELECTOR LEVER ON END OF CHANGE-SPEED LEVER	23-68	1	
C.1906	Bush , in Selector Lever	23-69	1	
C.1908	Washer (Tufnol) at each side of Selector Lever	23-70	2	
C.1929	Washer , Spring, (Double Coil) between Pivot Jaw and Tufnol Washer	23-71	1	
C.21110	Pivot Pin , mounting Selector Lever in Pivot Jaw	23-72	1	
C.8737/4	Nut , Self-Locking, securing Pivot Pin	23-73	1	
C.23169	CHANGE-SPEED LEVER	23-74	1	
C.23007	Knob , on Change-Speed Lever	23-75	1	
C.23006	Cone , locking Knob to lever	23-76	1	
C.22394	UPPER BUSH, HOUSING CHANGE-SPEED LEVER IN SELECTOR LEVER	23-77	1	
C.22395	Washer , Special, at top of Upper Bush	23-78	1	
C.21921	LOWER BUSH, HOUSING CHANGE-SPEED LEVER IN SELECTOR LEVER	23-79	1	
C.8737/2	Nut , Self-Locking, securing Change-Speed Lever	23-80	1	
C.26595	Washer , Special, under Nut	23-81	1	
C.885	FLANGE, ON MAINSHAFT, FOR UNIVERSAL JOINT	24-1	1	
C.840	Nut , Slotted, securing Flange to Mainshaft	24-2	1	
C.23168	Washer , Special, under Slotted Nut	24-3	1	
L.104/12U	Split Pin , securing Slotted Nut	24-4	1	
C.19827	Bolt , connecting Flange to Propeller Shaft	24-5	4	See also Propeller Shaft

STANDARD TRANSMISSION GEARBOX

FITTED TO CHASSIS NO. 1B.2768 AND SUBS. } 3-4 LITRE
1B.25380 AND SUBS. }

1B.52998 AND SUBS. } 3-8 LITRE
1B.76908 AND SUBS. }

Part No.	Description	Plate No.	No. per Unit	Remarks
C.22879	MAINSHAFT	24-6	1	
C.23337	Speedometer Driving Gear	24-7	1	
C.23336	Distance Tube , between Speedometer Driving Gear and Distance Piece	24-8	1	
C.21301	Distance Piece , between Distance Tube and Mainshaft Bearing (in Case)	24-9	1	
C.21098	Reverse Gear , on Mainshaft	24-10	1	
C.21096	1st Speed Gear , on Mainshaft	24-11	1	
C.21095	Bearing Sleeve , for 1st Gear	24-12	1	
C.23109/1	Needle Roller , in 1st Speed Gear (3 mm+0001"-0000")	24-13	120	} USE ROLLERS OF ONE GRADE IN INDIVIDUAL GEAR ASSEMBLIES
C.23109/2	Needle Roller , in 1st Speed Gear (3 mm+0000"-0001")	24-13	120	
C.23109/3	Needle Roller , in 1st Speed Gear (3 mm-0001"-0002")	24-13	120	
C.23097	Spacer , for Needle Rollers in 1st Speed Gear	24-14	1	
C.24638	Synchro Hub , for 1st/2nd Speeds	24-15	1	
C.24640	Operating Sleeve , for 1st/2nd Speeds	24-16	1	
C.24641	Thrust Member , between Sleeve and Synchro Hub	24-17	3	
C.21088	Plunger , under Thrust Members	24-18	3	
C.27491	Spring , under Plunger	24-19	3	
C.1319	Detent Ball between Sleeve and Synchro Hub	24-20	3	
C.24181	Spring , under Balls	24-21	3	
C.22391	Synchro Ring , for 1st and 2nd Speeds	24-22	2	
C.21092	2nd Speed Gear , on Mainshaft	24-23	1	
C.21082	3rd Speed Gear , on Mainshaft	24-24	1	} STANDARD RATIO GEARS CLOSE RATIO GEARS SUPPLIED TO SPECIAL ORDER ONLY
C.20498	3rd Speed Gear , on Mainshaft			
C.23109/1	Needle Roller , in 2nd and 3rd Speed Gears (3mm+0001"-0000")	24-25	212	
C.23109/2	Needle Roller , in 2nd and 3rd Speed Gears (3mm+0000"-0001")	24-25	212	
C.23109/3	Needle Roller , in 2nd and 3rd Speed Gears (3mm-0001"-0002")	24-25	212	
C.23098	Spacer , for Needle Rollers in 2nd Speed Gear	24-26	1	
C.23099	Spacer , for Needle Roller in 3rd Speed Gear	24-27	1	
C.24639	Synchro Hub , for 3rd/4th Speeds	24-28	1	
C.24640	Operating Sleeve , for 3rd/4th Speeds	24-29	1	
C.24641	Thrust Member , between Sleeve and Synchro Hub	24-30	3	
C.21088	Plunger , under Thrust Members	24-31	3	
C.27491	Spring , under Plungers	24-32	3	
C.1319	Detent Ball , between Sleeve and Synchro Hub	24-33	3	
C.24181	Spring , under Balls	24-34	3	
C.22391	Synchro Ring , for 3rd and 4th Speeds	24-35	2	
C.21617	Nut , retaining 3rd Gear and 3rd/4th Synchro Hub on Mainshaft	24-36	1	
C.21618	Tab Washer , locking Nut	24-37	1	
C.20027	Plug , in end of Mainshaft	24-38	1	
C.25436	CONSTANT PINION SHAFT	24-39	1	STANDARD RATIO GEARS
C.25435	CONSTANT PINION SHAFT		1	CLOSE RATIO GEARS SUPPLIED TO SPECIAL ORDER ONLY
C.25424	Roller Bearing , inside Constant Pinion Shaft	24-40	1	
C.20493	Oil Thrower , on Constant Pinion Shaft	24-41	1	
C.21617	Nut , securing Constant Pinion Shaft in Bearing	24-42	1	
C.21618	Tab Washer , Locking Nut	24-43	1	

STANDARD TRANSMISSION GEARBOX

FITTED TO CHASSIS NO. 1B.2768 AND SUBS. } 3.4 LITRE
1B.25380 AND SUBS. }

1B.52998 AND SUBS. } 3.8 LITRE
1B.76908 AND SUBS. }

Part No.	Description	Plate No.	No. per Unit	Remarks
C.20052	REVERSE SPINDLE	24-44	1	
C.753	Key, locking Spindle in Gearbox Case	24-45	1	
C.20313	Reverse Idler Gear, complete with Bushes	24-46	1	
C.21198	Lever Assembly, operating Reverse Idler Gear	24-47	1	
UFS.137/8R	Screw, Set, pivoting Lever	24-48	1	
C.930	Washer (Fibre) on Setscrew	24-49	1	
C.21200	Tab Washer, locking Setscrew	24-50	1	
C.866	Reverse Slipper	24-51	1	
L.103/8U	Split Pin, retaining Reverse Slipper to Operating Lever	24-52	1	
C.25437	COUNTERSHAFT	24-53	1	
C.753	Key, locking Countershaft in Gearbox Case	24-54	1	
C.20712	GEAR UNIT (CLUSTER) ON COUNTERSHAFT	24-55	1	STANDARD RATIO GEARS
C.20500	GEAR UNIT (CLUSTER) ON COUNTERSHAFT		1	CLOSE RATIO GEARS SUPPLIED TO SPECIAL ORDER ONLY
C.918/1	Needle Roller, in Gear Unit (3 mm+0001"—0000")	24-56	58	} USE ROLLERS OF ONE GRADE IN INDIVIDUAL GEAR UNIT ASSEMBLIES
C.918/2	Needle Roller, in Gear Unit (3 mm+0000"—0001")	24-56	58	
C.918/3	Needle Roller, in Gear Unit (3 mm+0001"—0002")	24-56	58	
C.21099	Retaining Ring, at rear of Front Needle Rollers and at each end of Rear Needle Rollers	24-57	3	
C.21100	Thrust Washer Assembly, at rear of Gear Unit	24-58	1	} SELECTIVE SIZES USE AS NECESSARY TO OBTAIN .004"/.006" END FLOAT
C.1861	Thrust Washer Assembly, Inner, at front of Gear Unit	24-59	1	
C.1862	Thrust Washer, Outer, at front of Gear Unit (.156" thick)	24-60	1	
C.1862/1	Thrust Washer, Outer, at front of Gear Unit (.159" thick)	24-60	1	
C.1862/2	Thrust Washer, Outer, at front of Gear Unit (.162" thick)	24-60	1	
C.1862/3	Thrust Washer, Outer, at front of Gear Unit (.152" thick)	24-60	1	
C.1862/4	Thrust Washer, Outer, at front of Gear Unit (.164" thick)	24-60	1	

STANDARD TRANSMISSION GEARBOX

COMMENCING GEARBOX NO. KBN101

Part No.	Description	Plate No.	No. per Unit	Remarks
C.28640	GEARBOX ASSEMBLY ('KB' SERIES)		1	
C.22950	REAR END COVER	23-17	1	
C.23392	SPEEDOMETER DRIVEN GEAR	23-22	1	
C.22879	MAIN SHAFT	24-6	1	
C.23336	Distance Tube , between Bearing and Speedometer Driving Gear	24-8	1	
C.23337	Speedometer Driving Gear	24-7	1	
C.28429	1st Speed Gear , on Mainshafts	24-11	1	
C.28432	Synchro Hub , for 1st/2nd Speeds	24-15	1	
C.28436	Operating Sleeve , for 1st/2nd Speeds	24-16	1	
C.28430	2nd Speed Gear , on Mainshaft	24-23	1	
C.28417	3rd Speed Gear , on Mainshaft	24-24	1	
C.28432	Synchro Hub , for 3rd/Top Speeds	24-28	1	
C.28436	Operating Sleeve , for 3rd/Top Speeds	24-29	1	
C.28415	CONSTANT PINION SHAFT	24-39	1	
C.28416	GEAR UNIT (CLUSTER) ON COUNTERSHAFT	24-55	1	
	All other items are as for C.20018 Gearbox Assembly ('JB' Series)			

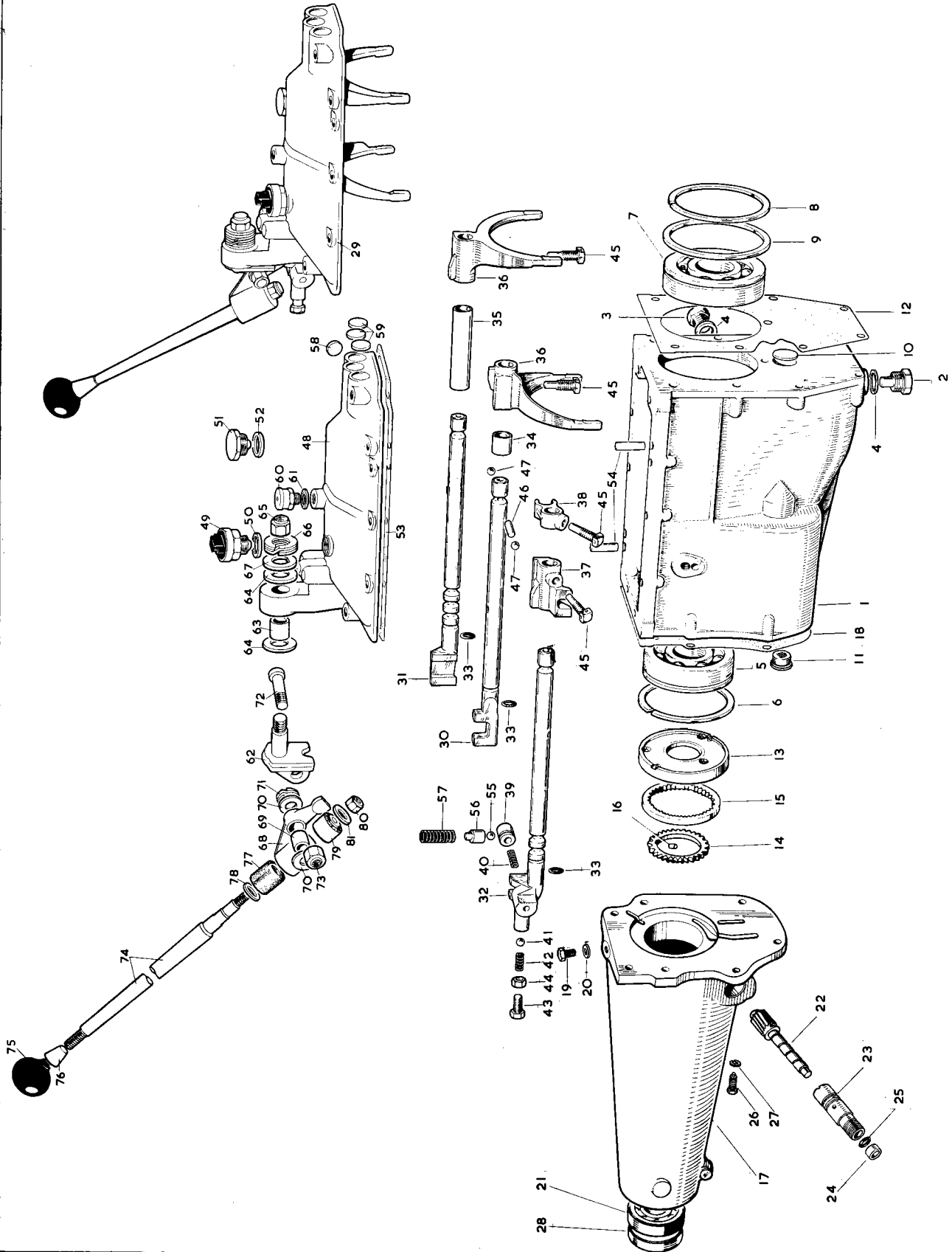
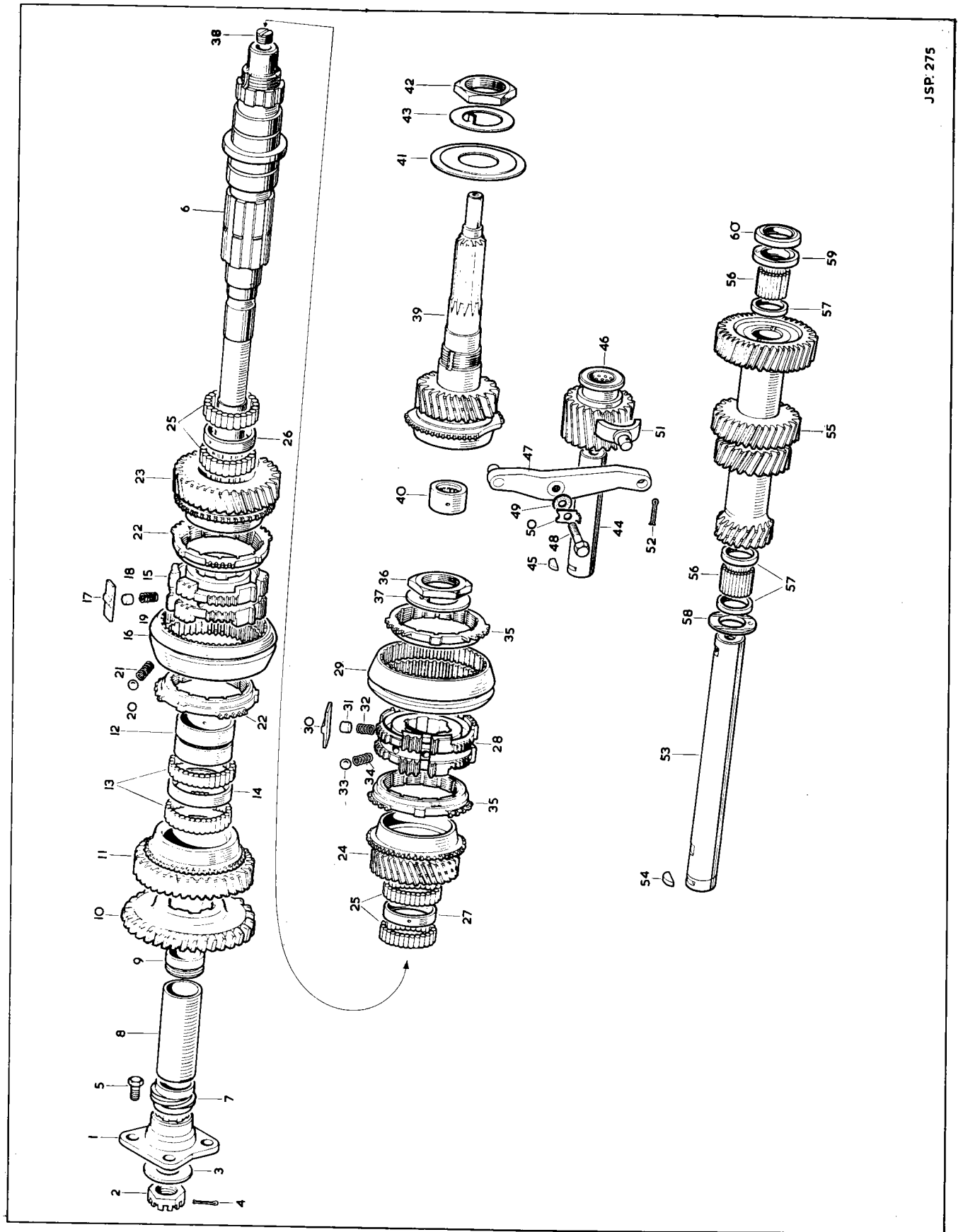


PLATE 23



OVERDRIVE UNIT GEARBOX

FITTED FROM CHASSIS NO. 1B.1001 TO 1B.2191 } 3-4 LITRE 1B.5001 TO 1B.52077 } 3-8 LITRE
1B.25001 TO 1B.25300 } 1B.75001 TO 1B.76309 }

Part No.	Description	Plate No.	No. per Unit	Remarks
C.24295	GEARBOX ASSEMBLY ("GBN" SERIES)		1	SHAVED GEARS. IDENTIFIED BY PREFIX "GBN" AND SUFFIX "J.S." TO THE SERIAL NUMBER
C.19208	GEARBOX CASE	25-1	1	
C.799	Drain Plug, at bottom of Casing	25-2	1	
C.785	Washer (Fibre) on Drain Plug	25-3	1	
C.799	Oil Filler Plug, at left-hand side of Case	25-4	1	
C.785	Washer (Fibre) on Oil Filler Plug	25-5	1	
C.857	Plate, locking Counter and Reverse Shafts	25-6	1	
FS.205/7D	Screw, Set, securing Locking Plate	25-7	1	
FG.105/X	Washer, Spring, on Setscrews	25-8	1	
C.1845	Ball Bearing, for Mainshaft (MS.12½K)	25-9	1	
C.1855	Circlip, securing Mainshaft Bearing	25-10	1	
C.8458/1	Shim (.002" thick) for adjustment of Mainshaft Bearing		As req'd	
C.8458/2	Shim (.003" thick) for adjustment of Mainshaft Bearing		As req'd	
C.8458/3	Shim (.004" thick) for adjustment of Mainshaft Bearing		As req'd	
C.1838	Ball Bearing, for Constant Pinion Shaft (Hoff.340K)	25-11	1	
C.12195	Collar, between Casing and Circlip	25-12	1	
C.1840	Circlip, on Bearing, behind Collar	25-13	1	
C.920	Blanking Disc (Fibre) in Casing, at front end of Counter Shaft	25-14	1	
C.1834	Gasket, between Gearbox Case and Clutch Housing	25-15	1	
C.19209	Gasket, between Gearbox Case and Overdrive Extension	25-16	1	
FS.105/8R	Screw, Set, securing Overdrive Unit to Gearbox	25-17	7	
FG.105/X	Washer, Spring, on Setscrews	25-18	7	
STRIKING GEAR				
C.9841	Striking Rod Assembly, 1st/2nd Gears (complete with Interlock Roller)	25-19	1	
C.9846	Striking Rod, 3rd/Top Gears	25-20	1	
C.9845	Striking Rod, Reverse Gear	25-21	1	
C.9854	Stop, for 1st/2nd Speed Striking Rod	25-22	1	
C.9851	Change-Speed Fork, 1st/2nd Gears	25-23	1	
C.9852	Change-Speed Fork, 3rd/Top Gears	25-24	1	
C.9847	Change-Speed Fork, Reverse Gear	25-25	1	
C.9853	Selector, 3rd/Top Gears	25-26	1	
C.9848	Plunger, in Change-Speed Fork, for Reverse Selection	25-27	1	
C.9849	Spring, tensioning Reverse Plunger	25-28	1	
C.1319	Ball, locking Reverse Plunger	25-29	1	
C.14704	Spring, loading Locking Ball	25-30	1	
C.19772	Dowel Screw, locating Change-Speed Forks, Selector and 2nd Speed Stop, on Striking Rods	25-31	5	
C.837	Wire, locking Dowel Screws		As req'd	
C.922	Ball, between Striking Rods, for Interlock	25-32	2	
10463	REMOTE CONTROL, COMPLETE (SD.1138)	25-33	1	
(COMPRISING: TOP COVER, STRIKING RODS, FORKS, SELECTORS, CHANGE-SPEED LEVER, ETC.)				

OVERDRIVE UNIT GEARBOX

FITTED FROM CHASSIS NO. 1B.1001 TO 1B.2191 } 3.4 LITRE
1B.5001 TO 1B.52077 } 3.8 LITRE
1B.25001 TO 1B.25300 } 3.4 LITRE
1B.75001 TO 1B.76309 } 3.8 LITRE

Part No.	Description	Plate No.	No. per Unit	Remarks
C.13332	TOP COVER	25-34	1	
C.1083	Switch, in Top Cover, operating Reversing Lamp and Top Gear for Overdrive Unit	25-35	2	See also Electrical Equipment
C.4531	Gasket, for Switches	25-36	2	
C.26377	Washer (Fibre) for adjustment of Top Gear Switch		As req'd	
C.860	Gasket, between Top Cover and Gearbox Case	25-37	1	
FB.105/7D	Bolt, securing Top Cover to Gearbox Case	25-38	6	
FB.105/11D	Bolt, securing Top Cover to Gearbox Case	25-39	2	
FB.105/15D	Bolt, securing Top Cover to Gearbox Case	25-40	2	
FG.105/X	Washer, Spring, on Bolts	25-41	10	
OD.105/6H	Dowel, positioning Top Cover to Casing	25-42	2	
C.1319	Ball, engaging Striking Rods	25-43	3	
C.13334	Plunger, holding Balls in position	25-44	3	
C.845	Spring, at top of Plunger	25-45	3	
C.13333	Shim, for Spring tension		As req'd	
C.841	Breather, at top of Cover or at R.H. side of Change-Speed Lever Housing	25-46	1	
C.930	Washer (Fibre) for Breather	25-47	1	Required only when Breather is fitted to Change-Speed Lever Housing
C.18442	Plug, sealing redundant Breather Aperture in Top Cover	25-48	1	
C.930	Washer (Fibre) on Plug	25-49	1	
C.7426	Stud, in Top Cover, for fixing of Change-Speed Lever Housing	25-50	4	
NN.131/L	Nut, on Studs		4	
FG.105/X	Washer, Spring, under Nuts		4	
C.9840	Welch Washer, 7/16" diameter, at L.H. side of Top Cover	25-51	2	
787	Welch Washer, 7/8" diameter, at front and rear of Top Cover (ends of Striking Rods)	25-52	6	
C.799	Plug, in Dipstick Aperture	25-53	1	
C.785	Washer (Copper) on Plug	25-54	1	
C.14468	HOUSING, ON TOP COVER, FOR CHANGE-SPEED LEVER	25-55	1	
C.1907	Bush, inside Housing, for Pivot Jaw	25-56	1	
C.13338	Gasket, under Housing	25-57	1	
C.12454	'O' RING, IN HOUSING, FOR REMOTE CONTROL SHAFT	25-58	1	
C.13335	Retaining Cup, for 'O' Ring	25-59	1	
C.14305	REMOTE CONTROL SHAFT	25-60	1	
C.13341	SELECTOR FINGER, ON REMOTE CONTROL SHAFT	25-61	1	
C.19772	Dowel Screw, securing Selector Finger to Remote Control Shaft	25-62	1	
C.837	Wire, locking Dowel Screw		As req'd	
787	Welch Washer, 7/8" diameter, at rear of Housing	25-63	1	

OVERDRIVE UNIT GEARBOX

FITTED FROM CHASSIS NO. 1B.1001 TO 1B.2191 } 3.4 LITRE 1B.50001 TO 1B.52077 } 3.8 LITRE
1B.25001 TO 1B.26300 } 1B.75001 TO 1B.76309 }

Part No.	Description	Plate No.	No. per Unit	Remarks
C.21104	PIVOT JAW, HOUSING SELECTOR LEVER	25-64	1	
C.1894	Washer (Fibre) at each side of Housing Turret	25-65	2	
C.1905	Washer, Double Coil Spring, between 'D' Washer and Fibre Washer	25-66	1	
C.1914	'D' Washer, on Pivot Jaw, adjacent to Nut	25-67	1	} FN.407/L AND L.103/8U SUPERSEDED BY C.8734
FN.407/L	Nut, slotted, securing Pivot Jaw to Housing	25-68	1	
L.103/8U	Split Pin, securing Nut	25-69	1	
C.8734	Nut (Nyloc) securing Pivot Jaw to Housing		1	
C.21926	SELECTOR LEVER, ON END OF CHANGE-SPEED LEVER	25-70	1	
C.1906	Bush, inside Selector Lever	25-71	1	
C.1908	Washer (Fibre) at each side of Selector Lever	25-72	2	
C.1929	Washer, Double Coil Spring, between Fibre Washer and Selector Lever	25-73	1	
C.1912	Pivot Pin, mounting Selector Lever in Pivot Jaw	25-74	1	
FN.407/L	Nut, slotted, securing Pivot Pin		1	
L.103/8U	Split Pin, retaining Nut		1	
C.23633	CHANGE-SPEED LEVER	25-75	1	
C.21923/1	Knob, for Change-Speed Lever	25-76	1	
C.21924	Cone, locking Knob to Change-Speed Lever	25-77	1	
C.1915	UPPER BUSH, HOUSING CHANGE-SPEED LEVER IN SELECTOR LEVER	25-78	1	
C.1919	Washer, at top of Upper Bush	25-79	1	
C.21921	LOWER BUSH, HOUSING CHANGE-SPEED LEVER IN SELECTOR LEVER	25-80	1	
C.1904	Washer, at bottom of Lower Bush	25-81	1	
C.8150/33	Nut, Self-Locking, securing Change-Speed Lever to Selector Lever		1	
C.6830	MAINSHAFT	26-1	1	
C.10209	Synchronising Sleeve, 2nd Speed	26-2	1	
C.900	Spring, in 2nd and 3rd/Top Synchro Sleeves	26-3	12	
C.922	Ball, at top of Springs and Plunger in 2nd and 3rd/Top Synchro Sleeves	26-4	1	
C.901	Plunger, in 2nd Speed Synchro Sleeve (-490" long)	26-5	1	} SELECTIVE SIZES
C.901/1	Plunger, in 2nd Speed Synchro Sleeve (-495" long)	26-5	1	
C.901/2	Plunger, in 2nd Speed Synchro Sleeve (-500" long)	26-5	1	
C.10201	Gear, 1st Speed Mainshaft	26-6	1	
C.10202	Gear, 2nd Speed Mainshaft	26-7	1	
C.10203	Gear, 3rd Speed Mainshaft	26-8	1	

OVERDRIVE UNIT GEARBOX

FITTED FROM CHASSIS NO. 1B.1001 TO 1B.2191 } 3-4 LITRE
1B.50001 TO 1B.52077 } 3-8 LITRE
1B.25001 TO 1B.25300 } 3-4 LITRE
1B.75001 TO 1B.76309 } 3-8 LITRE

Part No.	Description	Plate No.	No. per Unit	Remarks
MAINSHAFT (Cont'd)				
C.1850/1	Needle Roller, in 2nd and 3rd Speed Gears (3.5 mm.+0001"—0000")	26-9	82	} USE ROLLERS OF ONE GRADE IN INDIVIDUAL GEAR ASSEMBLIES
C.1850/2	Needle Roller, in 2nd and 3rd Speed Gears (3.5 mm.+0000"—0001")	26-9	82	
C.1850/3	Needle Roller, in 2nd and 3rd Speed Gears (3.5 mm.—0001"—0002")	26-9	82	
C.1849	Plunger, in Mainshaft, locking 2nd and 3rd Speed Gears	26-10	2	} SELECTIVE SIZES
C.1324	Spring, under Plungers	26-11	2	
C.10206/1	Thrust Washer, front and rear of 2nd and 3rd Speed Gears (-.471"/-.472" thick)	26-12	2	
C.10206/2	Thrust Washer, front and rear of 2nd and 3rd Speed Gears (-.473"/-.474" thick)	26-12	2	
C.10206/3	Thrust Washer, front and rear of 2nd and 3rd Speed Gears (-.475"/-.476" thick)	26-12	2	
C.10208	Synchronising Sleeve, 3rd/Top Speeds	26-13	1	
C.901	Plunger, in 3rd/Top Synchro Sleeve (-.490" long)	26-14	2	} SELECTIVE SIZES
C.901/1	Plunger, in 3rd/Top Synchro Sleeve (-.495" long)	26-14	2	
C.901/2	Plunger, in 3rd/Top Synchro Sleeve (-.500" long)	26-14	2	
C.922	Ball, at top of Plunger, in 3rd/Top Synchro Sleeve	26-15	2	} SELECTIVE SIZES
C.4049/1	Operating Sleeve, 3rd/Top Speeds	26-16	1	
C.903	Shim, under Springs in Synchro Sleeves (-.006" thick)	26-17	As req'd	
C.914	Shim, under Springs in Synchro Sleeves (-.028" thick)	26-17	As req'd	
CONSTANT PINION SHAFT ASSEMBLY				
C.10200		26-18	1	
C.1843	Roller Bearing, inside Constant Pinion Shaft	26-19	1	
C.2121	Oil Thrower, on Constant Pinion Shaft	26-20	1	
C.11932	Locknut, on Constant Pinion Shaft, securing Front Bearing	26-21	1	
C.11933	Tab Washer, retaining Locknut	26-22	1	
REVERSE SPINDLE				
C.2070		26-23	1	
C.10205/1	Reverse Gear (complete with Bush)	26-24	1	
C.1893	Lever, operating Reverse Gear	26-25	1	
C.1899	Fulcrum Pin, for Operating Lever	26-26	1	
C.777	Nut, Slotted, securing Fulcrum Pin	26-27	1	
FW.106/T	Washer, Plain, under Slotted Nut	26-28	1	
L.103/8U	Split Pin, retaining Slotted Nut and Reverse Slipper	26-29	2	
C.866	Reverse Slipper	26-30	1	
C.4284	Sealing Ring, on Reverse Spindle	26-31	1	
COUNTERSHAFT				
C.1856		26-32	1	
GEAR UNIT (CLUSTER) ON COUNTER-SHAFT				
C.10204		26-33	1	
C.1864	Retaining Ring, at rear of Needle Rollers	26-34	2	} USE ROLLERS OF ONE GRADE IN INDIVIDUAL GEAR ASSEMBLIES
C.918/1	Needle Roller (3 mm.+0001"—0000")	26-35	58	
C.918/2	Needle Roller (3 mm.+0000"—0001")	26-35	58	
C.918/3	Needle Roller (3 mm.—0001"—0002")	26-35	58	
C.1861	Thrust Washer, inner, at rear of Gear Unit adjacent to Needle Rollers	26-36	1	
C.1862	Thrust Washer, outer, at rear of Gear Unit (-.156" thick)	26-37	1	} SELECTIVE SIZES. USE AS NECESSARY TO OBTAIN .002"/.004" END FLOAT
C.1862/1	Thrust Washer, outer, at rear of Gear Unit (-.159" thick)	26-37	1	
C.1862/2	Thrust Washer, outer, at rear of Gear Unit (-.162" thick)	26-37	1	
C.1862/3	Thrust Washer, outer, at rear of Gear Unit (-.152" thick)	26-37	1	
C.1862/4	Thrust Washer, outer, at rear of Gear Unit (-.164" thick)	26-37	1	
C.10210	Retaining Ring, on outer end of front Needle Rollers	26-38	1	
C.8835	Thrust Washer, inner, at front end of Gear Unit	26-39	1	
C.1859	Thrust Washer, outer, at front end of Gear Unit	26-40	1	
C.4285	Sealing Ring, on Countershaft	26-41	1	

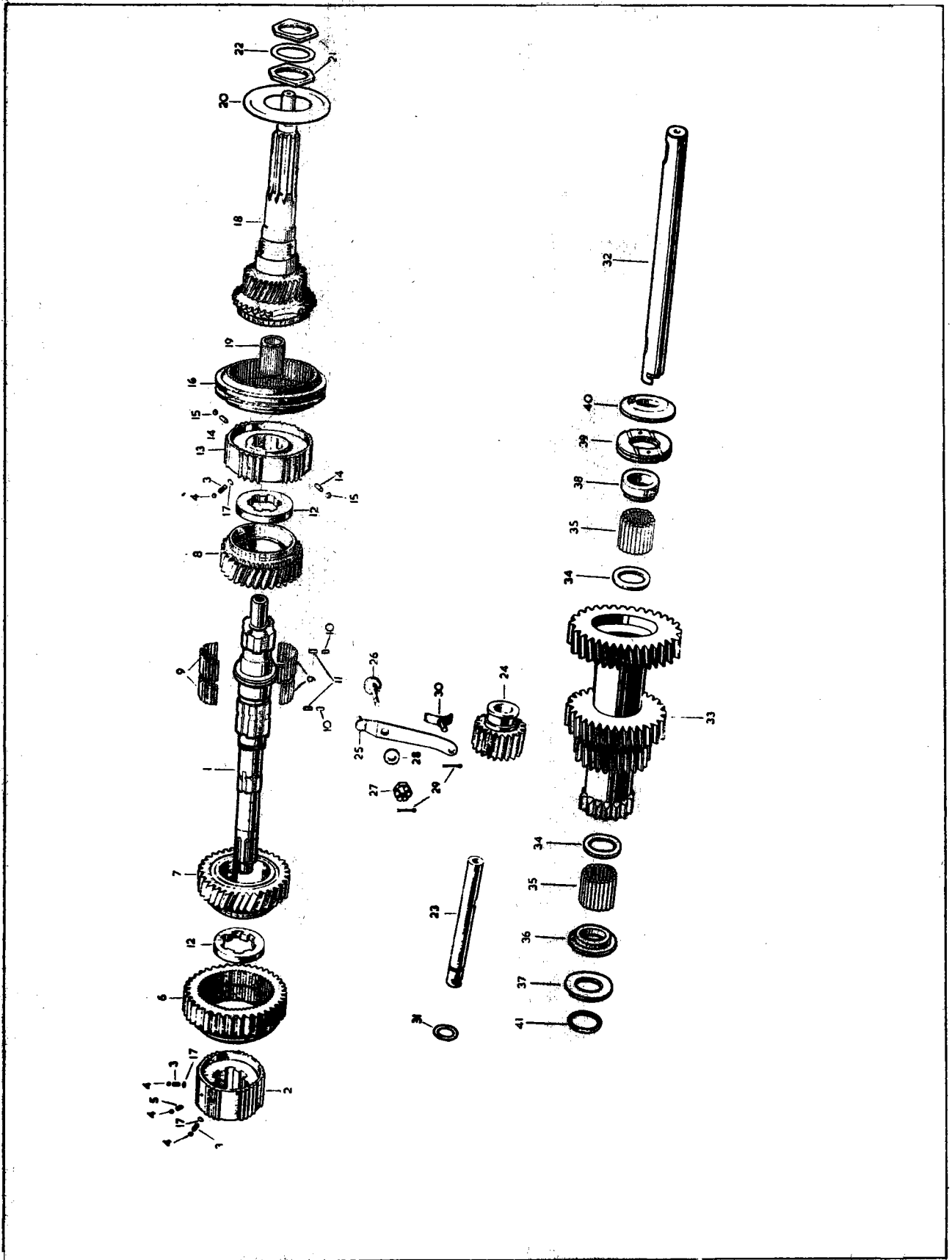


PLATE 26

OVERDRIVE TRANSMISSION GEARBOX

FITTED TO CHASSIS NO. 1B.2192 AND SUBS. } 3.4 LITRE
1B.25301 AND SUBS. }
1B.52078 AND SUBS. } 3.8 LITRE
1B.76310 AND SUBS. }

Part No.	Description	Plate No.	No. per Unit	Remarks
C.24883	GEARBOX ASSEMBLY ('JBN' SERIES)		1	STANDARD RATIO GEARS
C.26308	GEARBOX ASSEMBLY ('JBN' SERIES)		1	CLOSE RATIO GEARS, SUPPLIED TO SPECIAL ORDER ONLY
C.20019	GEARBOX CASE	27-1	1	
C.19543	Oil Drain Plug (Magnetic) at bottom of Case	27-2	1	
C.799	Oil Filler Plug, at L.H. side of Case	27-3	1	
C.785	Washer (Fibre) on Plugs	27-4	2	
C.1845/1	Ball Bearing, for Mainshaft (MS.12½K)	27-5	1	
C.1855	Circlip, around Ball Bearing	27-6	1	
C.20491	Ball Bearing, for Constant Pinion Shaft (MS.13½K) (Complete with Circlip C.20492)	27-7	1	
C.20492	Circlip, around Ball Bearing	27-8	1	
C.20494	Collar, between Circlip and Gearbox Case	27-9	1	
C.920	Blanking Disc (Fibre) in Gearbox Case, at front of Countershaft	27-10	1	
C.20658	Gasket, between Gearbox Case and Clutch Housing	27-11	1	
C.22605	Gasket, between Gearbox Case and Overdrive Unit	27-12	1	
UFS.131/7R FG.105/X	Screw, Set, securing Overdrive Unit to Gearbox Washer, Spring, on Setscrews		7 7	
10755	REMOTE CONTROL COMPLETE (S.D.1146) (COMPRISING: TOP COVER, STRIKING RODS, CHANGE-SPEED LEVER, FORKS, SELECTOR LEVER, ETC.)	27-13	1	
	STRIKING GEAR			
C.24915	Striking Rod, 1st/2nd Gears	27-14	1	
C.24914	Striking Rod, 3rd/Top Gears	27-15	1	
C.21478	Striking Rod, Reverse Gear	27-16	1	
C.20060	'O' Ring, on Striking Rods	27-17	3	
C.20315	Stop, for 1st/2nd Striking Rod	27-18	1	
C.20316	Stop, for 3rd/Top Striking Rod	27-19	1	
C.21572	Change-Speed Fork, for 1st/2nd and 3rd/Top Gears	27-20	2	
C.21616	Change-Speed Fork, for Reverse Gear	27-21	1	
C.22925	Locating Arm, on Reverse Striking Rod	27-22	1	
C.25468	Plunger, in Reverse Striking Rod	27-23	1	
C.9849	Spring, behind Plunger	27-24	1	
C.1319	Ball, locking Reverse Plunger	27-25	1	
C.20065	Spring, loading Locking Ball	27-26	1	
UFS.131/5R	Screw, Set, adjusting Spring Tension	27-27	1	
UFN.231/L	Nut, locking Setscrew	27-28	1	
C.20314	Dowel Screw, securing Change-Speed Forks and Locating Arm on Striking Rods	27-29	4	
C.837	Wire, locking Dowel Screws		As req'd	
C.20066	Roller, in 1st/2nd Striking Rod, for Interlock	27-30	1	
C.922	Ball, between Striking Rods, for Interlock	27-31	2	

OVERDRIVE TRANSMISSION GEARBOX

FITTED TO CHASSIS NO. 1B.2192 AND SUBS. } 3.4 LITRE
 1B.25301 AND SUBS. }
 1B.52078 AND SUBS. } 3.8 LITRE
 1B.76310 AND SUBS. }

Part No.	Description	Plate No.	No. per Unit	Remarks
C.20056	TOP COVER	27-32	1	
C.1083	Switch, in Top Cover, operating Reversing Lamp and Top Gear Circuit (31542-SS.10/1)	27-33	2	} See also Electrical Equipment
C.4531	Gasket, for Reversing Lamp Switch (163682)	27-34	1	
C.4531	Gasket, for adjustment of Top Gear Switch (163682)		As req'd	
C.26377	Gasket, for adjustment of Top Gear Switch (.020" thick)		As req'd	
C.20057	Gasket, between Top Cover and Gearbox Case	27-35	1	
UFS.131/8R	Screw, Set, securing Top Cover to Gearbox Case		6	
UFB.131/13R	Bolt, securing Top Cover to Gearbox Case		4	
C.16816	Washer, Spring, on Setscrews and Bolts		10	
OD.105/6H	Dowel, locating Top Cover on Gearbox Case	27-36	2	
C.1319	Ball, engaging Reverse Striking Rod	27-37	1	
C.13334	Plunger, holding Ball	27-38	1	
C.845	Spring, at top of Plunger	27-39	1	
C.9840	Welch Washer, 3/16" diameter, at L.H. side of Top Cover	27-40	1	
C.26113	Welch Washer, 3/8" diameter, at front of Top Cover (end of Striking Rods)	27-41	3	
C.841	Breather, in Top Cover	27-42	1	
C.930	Washer (Fibre) on Breather	27-43	1	
C.21104	PIVOT JAW, HOUSING SELECTOR LEVER	27-44	1	
C.1907	Bush (Tufnol) in Top Cover, for Pivot Jaw	27-45	1	
C.1894	Washer (Tufnol) at front and rear of Bush	27-46	2	
C.8737/4	Nut, Self-Locking, retaining Pivot Jaw to Top Cover	27-47	1	
C.1905	Washer, Double Coil Spring, under Nut	27-48	1	
C.1914	"D" Washer, between Spring Washer and Tufnol Washer	27-49	1	
C.20067	SELECTOR LEVER, ON END OF CHANGE-SPEED LEVER	27-50	1	
C.1906	Bush (Tufnol) in Selector Lever	27-51	1	
C.1908	Washer (Tufnol) at each side of Selector Lever	27-52	2	
C.1929	Washer, Double Coil Spring, between Pivot Jaw and Tufnol Washer	27-53	1	
C.21110	Pivot Pin, mounting Selector Lever in Pivot Jaw	27-54	1	
C.8737/4	Nut, Self-Locking, securing Pivot Pin	27-55	1	
C.23169	CHANGE-SPEED LEVER	27-56	1	
C.23007	Knob, on Change-Speed Lever	27-57	1	
C.23006	Cone, locking Knob to Lever	27-58	1	
C.22394	UPPER BUSH, HOUSING CHANGE-SPEED LEVER IN SELECTOR LEVER	27-59	1	
C.22395	Washer, at top of Upper Bush	27-60	1	

OVERDRIVE TRANSMISSION GEARBOX

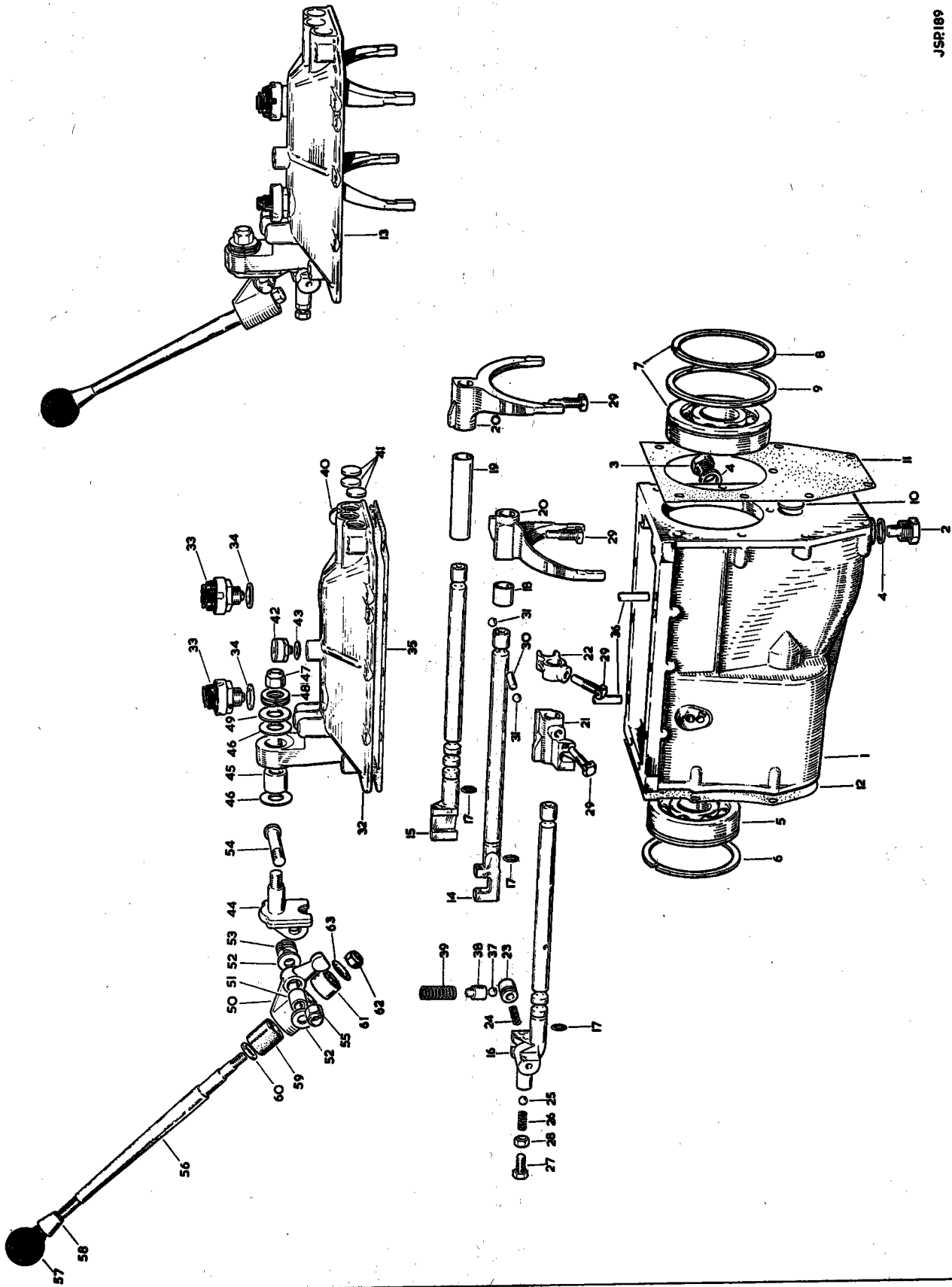
FITTED TO CHASSIS NO. 1B.2192 AND SUBS. } 3-4 LITRE 1B.52078 AND SUBS. } 3-8 LITRE
1B.25301 AND SUBS. } 1B.76310 AND SUBS. }

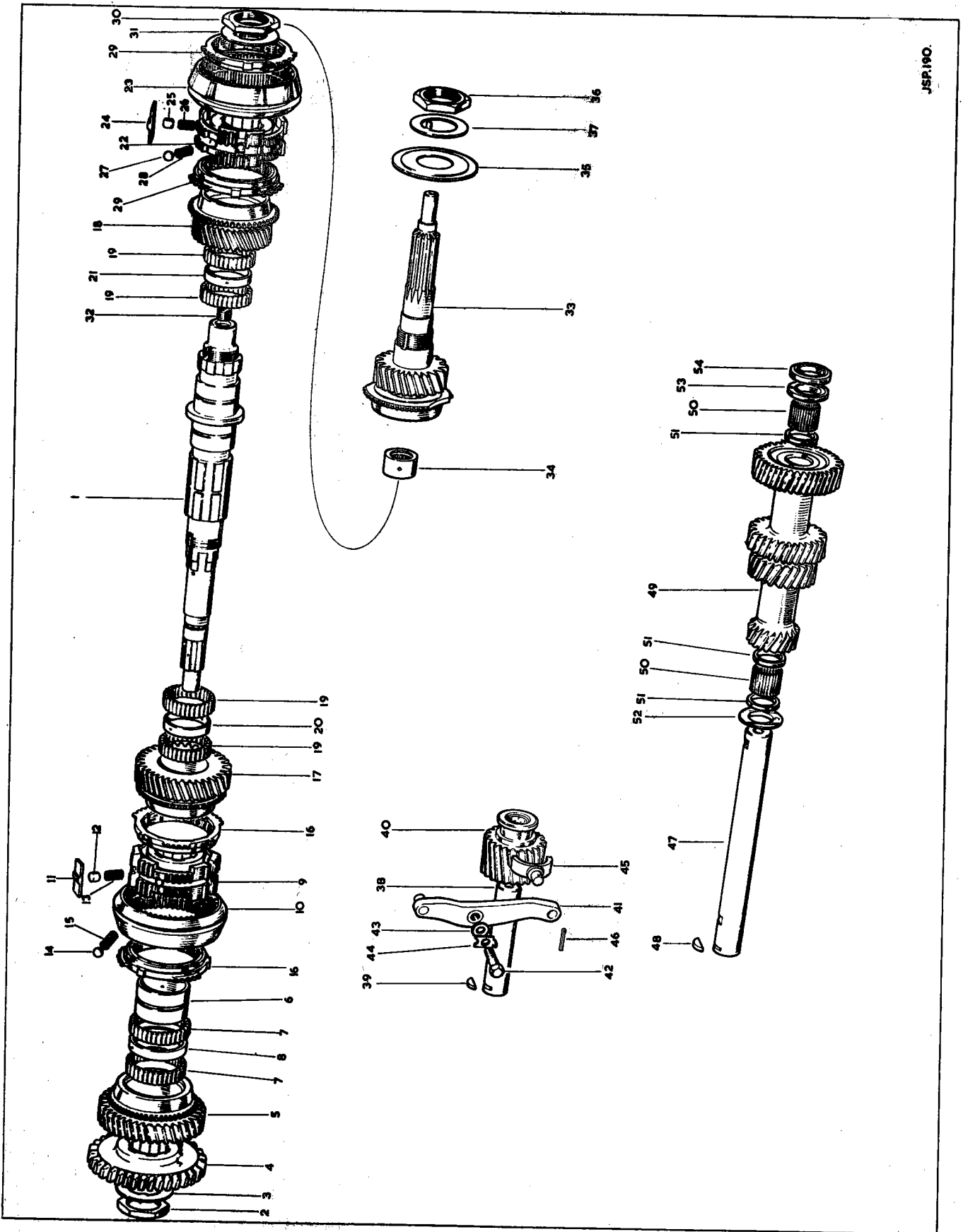
Part No.	Description	Plate No.	No. per Unit	Remarks
C.21921	LOWER BUSH, HOUSING CHANGE-SPEED LEVER IN SELECTOR LEVER	27-61	1	
C 8737/2	Nut, Self-Locking, securing Change-Speed Lever in Selector Lever	27-62	1	
C.26595	Washer, Special, under Nut	27-63	1	
C.21939	MAINSHAFT	28-1	1	
C.20036	Nut, securing Mainshaft in Bearing	28-2	1	
C.20037	Tab Washer, locking Nut	28-3	1	
C.21098	Reverse Gear, on Mainshaft	28-4	1	
C.21096	1st Speed Gear, on Mainshaft	28-5	1	
C.21095	Bearing Sleeve, for 1st Speed Gear	28-6	1	
C.23109/1	Needle Roller, in 1st Speed Gear (3 mm.+0001"---0000")	28-7	120	} USE ROLLERS OF ONE GRADE IN INDIVIDUAL GEAR ASSEMBLIES
C.23109/2	Needle Roller, in 1st Speed Gear (3 mm.+0000"---0001")	28-7	120	
C.23109/3	Needle Roller, in 1st Speed Gear (3 mm.--0001"---0002")	28-7	120	
C.23097	Spacer, for Needle Rollers in 1st Speed Gear	28-8	1	
C.24638	Synchro Hub, for 1st/2nd Speeds	28-9	1	
C.24640	Operating Sleeve, for 1st/2nd Speeds	28-10	1	
C.24641	Thrust Member, between Sleeve and Synchro Hub	28-11	3	
C.21088	Plunger, under Thrust Members	28-12	3	
C.27491	Spring, under Plungers	28-13	3	
C.1319	Detent Ball, between Sleeve and Synchro Hub	28-14	3	
C.24181	Spring, under Detent Balls	28-15	3	
C.22391	Synchro Ring, for 1st and 2nd Speeds	28-16	2	
C.21092	2nd Speed Gear, on Mainshaft	28-17	1	
C.21082	3rd Speed Gear, on Mainshaft	28-18	1	} STANDARD RATIO GEARS CLOSE RATIO GEARS. SUPPLIED TO SPECIAL ORDERS ONLY
C.20498	3rd Speed Gear, on Mainshaft	28-18	1	
C.23109/1	Needle Roller, in 2nd and 3rd Speed Gears (3 mm.+0001"---0000")	28-19	212	} USE ROLLERS OF ONE GRADE IN INDIVIDUAL GEAR ASSEMBLIES
C.23109/2	Needle Roller, in 2nd and 3rd Speed Gears (3 mm.+0000"---0001")	28-19	212	
C.23109/3	Needle Roller, in 2nd and 3rd Speed Gears (3 mm.--0001"---0002")	28-19	212	
C.23098	Spacer, for Needle Rollers in 2nd Speed Gear	28-20	1	
C.23099	Spacer, for Needle Rollers in 3rd Speed Gear	28-21	1	
C.24639	Synchro Hub, for 3rd/Top Speeds	28-22	1	
C.24640	Operating Sleeve, for 3rd/Top Speeds	28-23	1	
C.24641	Thrust Member, between Sleeve and Synchro Hub	28-24	3	
C.21088	Plunger, under Thrust Members	28-25	3	
C.27491	Spring, under Plungers	28-26	3	
C.1319	Detent Ball, between Sleeve and Synchro Hub	28-27	3	
C.24181	Spring, under Detent Balls	28-28	3	
C.22391	Synchro Ring, for 3rd and Top Speeds	28-29	2	
C.21617	Nut, retaining 3rd Gear and 3rd/Top Synchro Hub on Mainshaft	28-30	1	
C.21618	Tab Washer, locking Nut	28-31	1	
C.20027	Plug, in end of Mainshaft	28-32	1	
C.25436	CONSTANT PINION SHAFT	28-33	1	STANDARD RATIO GEARS
C.25435	CONSTANT PINION SHAFT		1	CLOSE RATIO GEARS SUPPLIED TO SPECIAL ORDER ONLY
C.25424	Roller Bearing, inside Constant Pinion Shaft	28-34	1	
C.20493	Oil Thrower, on Constant Pinion Shaft	28-35	1	
C.21617	Nut, securing Constant Pinion Shaft in Bearing	28-36	1	
C.21618	Tab Washer, locking Nut	28-37	1	

OVERDRIVE TRANSMISSION GEARBOX

FITTED TO CHASSIS NO. 1B.2192 AND SUBS. } 3.4 LITRE 1B.52078 AND SUBS. } 3.8 LITRE
 1B.25301 AND SUBS. }

Part No.	Description	Plate No.	No. per Unit	Remarks
C.20052	REVERSE SPINDLE	28-38	1	
C.753	Key, locking Spindle in Gearbox Case	28-39	1	
C.20313	Reverse Idler Gear, complete with Bushes	28-40	1	
C.21198	Lever Assembly, operating Reverse Gear	28-41	1	
UFS.137/8R	Screw, Set, pivoting Lever	28-42	1	
C.930	Washer (Fibre) on Setscrew	28-43	1	
C.21200	Tab Washer, locking Setscrew	28-44	1	
C.866	Reverse Slipper	28-45	1	
L.103/8U	Split Pin, retaining Reverse Slipper to Operating Lever	28-46	1	
C.25437	COUNTERSHAFT	28-47	1	
C.753	Key, locking Countershaft in Gearbox Case	28-48	1	
C.20712	GEAR UNIT (CLUSTER) ON COUNTERSHAFT	28-49	1	STANDARD RATIO GEARS
C.20500	GEAR UNIT (CLUSTER) ON COUNTERSHAFT		1	CLOSE RATIO GEARS. SUPPLIED TO SPECIAL ORDER ONLY
C.918/1	Needle Roller, in Gear Unit (3 mm.+0001"—0000")	28-50	58	USE ROLLERS OF ONE GRADE IN INDIVIDUAL GEAR UNIT ASSEMBLIES
C.918/2	Needle Roller, in Gear Unit (3 mm.+0000"—0001")	28-50	58	
C.918/3	Needle Roller, in Gear Unit (3 mm.—0001"—0002")	28-50	58	
C.21099	Retaining Ring, at rear of Front Needle Rollers and at each end of Rear Needle Rollers	28-51	3	
C.21100	Thrust Washer Assembly, at rear of Gear Unit	28-52	1	SELECTIVE SIZES. USE AS NECESSARY TO OBTAIN .004"/.006" END FLOAT
C.1861	Thrust Washer Assembly, Inner, at front of Gear Unit	28-53	1	
C.1862	Thrust Washer, Outer, at front of Gear Unit (.156" thick)	28-54	1	
C.1862/1	Thrust Washer, Outer, at front of Gear Unit (.159" thick)	28-54	1	
C.1862/2	Thrust Washer, Outer, at front of Gear Unit (.162" thick)	28-54	1	
C.1862/3	Thrust Washer, Outer, at front of Gear Unit (.162" thick)	28-54	1	
C.1862/4	Thrust Washer, Outer, at front of Gear Unit (.164" thick)	28-54	1	
C.28644	GEARBOX ASSEMBLY ('K.B.N.' SERIES)		1	
C.21939	MAINSHAFT	28-1	1	
C.28429	1st Speed Gear, on Mainshaft	28-5	1	
C.28432	Synchro Hub, for 1st/2nd Speeds	28-9	1	
C.28436	Operating Sleeve, for 1st/2nd Speeds	28-10	1	
C.28430	2nd Speed Gear, on Mainshaft	28-17	1	
C.28417	3rd Speed Gear, on Mainshaft	28-18	1	
C.28432	Synchro Hub, for 3rd/4th Speeds	28-22	1	
C.28436	Operating Sleeve, for 3rd/4th Speeds	28-23	1	
C.28415	CONSTANT PINION SHAFT	28-33	1	
C.28416	GEAR UNIT (CLUSTER) ON COUNTERSHAFT	28-49	1	
All other items are as for C.24883 Gearbox Assembly ('J.B.N.' Series)				





OVERDRIVE UNIT

FITTED FROM CHASSIS NO. 1B.1001 TO 1B.2191 AND 1B.25001 TO 1B.25300

Part No.	Description	Plate No.	No. per Unit	Remarks
C.12477	OVERDRIVE UNIT, COMPLETE (28/61474)		1	
C.5979	EXTENSION FOR ATTACHMENT OF OVERDRIVE UNIT TO GEARBOX (60140/A)	29-1	1	
C.5935	Gasket, between Extension and Front Casing (62161)	29-2	1	
C.5983	Washer, Spacing (Steel) behind Gearbox Rear Bearing (60778)	29-3	1	
C.5685	Circlip, 1 1/4" External, behind Spacing Washer on Gearbox Mainshaft (9015)	29-4	1	
C.12242	FRONT CASING ASSEMBLY (65619)	29-5	1	
C.5904	Welch Washer, sealing Bleed Holes (60479)	29-6	1	
C.12340	Shaft, for Main Operating Valve (64562)	29-7	1	
7982	Cam Lever, for Operating Shaft (60785)	29-8	1	
C.5921	Taper Pin, securing Cam Lever (6127)	29-9	1	
C.10378	O' Ring, at each end of Shaft (64486)	29-10	2	
C.5915	Main Operating Valve (60649)	29-11	1	
C.5922	Ball 3/4" dia., at top of Valve (9809)	29-12	1	
C.5919	Plunger, for Ball (60036)	29-13	1	
7972	Spring, for Plunger (60440)	29-14	1	
C.5906	Plug, retaining Valve Parts (65709)	29-15	1	
C.5903	Washer (Copper) under Valve Plug (60024)	29-16	1	
C.5917	Guide Peg, positioning Oil Pump Plunger in Front Casing (60723)	29-17	1	
C.5908	Lever, on Shaft outside Front Casing, for setting of Main Operating Valve (60813)	29-18	1	
C.5921	Taper Pin, securing Valve Setting Lever to Operating Shaft (6127)	29-19	1	
C.5909	Stud, in front and side faces of Casing (60677)	29-20	6	
C.5910	Stud, in front face of Casing (60678)	29-21	1	
C.5913	Stud, in front face of Casing (61091)	29-22	2	
C.5912	Stud, in rear face of Casing (60664)	29-23	2	
C.8767	Collar, on Valve Operating Shaft, behind Solenoid Operating Lever (64373)	29-24	1	
C.5671	Breather, at top of Front Casing (64370)	29-25	1	
UFN.131/L	Nut, on Studs in Front Casing (65361)		11	
FG.105/X	Washer, Spring, under Nuts (65462)		11	
C.5928	OIL PUMP PLUNGER ASSEMBLY IN FRONT CASING (65522)	29-26	1	
C.5955	Body, for Oil Pump (60845)	29-27	1	
C.5938	Spring, tensioning Oil Pump Plunger (60536)	29-28	1	
C.5939	Plug, securing Oil Pump Plunger in Body (60620)	29-29	1	
C.5960	Screw, Set, securing Oil Pump Body to Front Casing (65290)	29-30	2	
FG.103/X	Washer, Spring on Setscrews (1431)	29-31	2	
C.5966	Ball, 3/4" dia., for non-return valve to Oil Pump (9802)	29-32	1	
C.5919	Plunger, behind Ball (60036)	29-33	1	
7972	Spring, for Plunger (60440)	29-34	1	
C.5906	Plug, retaining non-return Valve (65709)	29-35	1	
C.5903	Washer (Copper) under Plug (60024)	29-36	1	

3.4 LITRE

OVERDRIVE UNIT

FITTED FROM CHASSIS NO. 1B.1001 TO 1B.2191 AND 1B.25001 TO 1B.25300

Part No.	Description	Plate No.	No. per Unit	Remarks
8357	FILTER AT BOTTOM OF OIL PUMP (60152)	29-37	1	
8355	DRAIN PLUG AT BOTTOM OF OIL FILTER (60253)	29-38	1	
C.5936	Washer (Fibre) on Drain Plug (60406)	29-39	1	
8356	MAGNETIC RING IN OIL FILTER (60151)	29-40	1	
C.5982	CAM, OPERATING OIL PUMP (60663)	29-41	1	
7947	OPERATING PISTON ASSEMBLY IN FRONT CASING (65586)	29-42	2	
7949	'O' Ring, on Operating Pistons (61647)		2	
C.5952	Bridge Piece, retaining Operating Pistons (60704)	29-43	2	
UFN.125/L	Nut, securing Bridge Pieces (65360)	29-44	4	
C.5965	Tab Washer, locking Nuts (65300)	29-45	4	
8030	ACCUMULATOR PISTON ASSEMBLY, COMPLETE WITH RINGS (65664)	29-46	1	
C.5677	Ring, for Piston (comprising two wide and four narrow Rings per Piston) (60814)	29-47	1 set	SUPPLIED ONLY IN SETS
8056	HOUSING ASSEMBLY FOR ACCUMULATOR PISTON (65665)	29-48	1	
C.5924	'O' Ring, on Housing (131/5)		1	
C.5678	SPACING TUBE AND WASHER ASSEMBLY, HOUSING ACCUMULATOR SPRING (65531)	29-49	1	
C.11837	SPRING, INSIDE SPACING TUBE, FOR ACCUMULATOR PISTON (64972)	29-50	1	

3.4 LITRE OVERDRIVE UNIT

FITTED FROM CHASSIS NO. 1B.1001 TO 1B.2191 AND 1B.25001 TO 1B.25300

Part No.	Description	Plate No.	No. per Unit	Remarks
C.19835	BRACKET ASSEMBLY, MOUNTING SOLENOID	29-51	1	
10481	Allen Screw, adjusting travel on Solenoid Plunger (121/34)	29-52	1	
UFN.225/L	Nut, locking, Allen Screw	29-53	1	
C.5954	Gasket, between Bracket and Front Casing (60823)	29-54	1	
UFN.131/L	Nut, securing Bracket to Studs at side of Front Casing (65361)	29-55	2	
FG.105/X	Washer, Spring, under Nuts (65462)	29-56	2	
C.5961	Screw, Set (Head painted Red) securing Solenoid Mounting Bracket and holding Accumulator Spring in tension (65291)	29-57	2	
FW.105/T	Washer, Plain, on Setscrews (65312)		2	
C.11208	Lever, on Operating Shaft for Solenoid (64573)	29-58	1	
UFB.125/6R	Bolt, clamping Lever to Shaft	29-59	1	
UFN.125/L	Nut, on Bolt	29-60	1	
FG.104/X	Washer, Spring, under Nut	29-61	1	
C.19836	COVER PLATE FOR SOLENOID MOUNTING BRACKET	29-62	1	
C.11205	Gasket, between Cover Plate and Mounting Bracket (64812)	29-63	1	
UFS.119/12R	Screw, Set, securing Cover Plate		3	
C.7471	SOLENOID (76505/B - TGS. 1)	29-64	1	See also Electrical Equipment
9240	Gasket, between Solenoid and Mounting Bracket		1	
UFS.319/4H	Screw, Set, securing Solenoid to Mounting Bracket		2	
AG.102/X	Washer, Spring, on Setscrews		2	
C.11697	THRUST RING ASSEMBLY, FOR CLUTCH (65523)	30-1	1	
C.11699	SPRINGS ON PINS OF THRUST RING (65533) (SUPPLIED ONLY IN SETS OF FOUR SHORT AND FOUR LONG SPRINGS)	30-2	1 set	
C.5930	SLIDING MEMBER ASSEMBLY, FOR CLUTCH (65524)	30-3	1	
C.5968	Ball Bearing, for Sliding Member (50 x 90 x 11 mm.) (65024)	30-4	1	
C.5669	Circlip (90 mm. internal) securing Ball Bearing from back (9108)	30-5	1	
C.5977	Circlip (1 7/8" external) securing Ball Bearing from front (9003)	30-6	1	

3.4 LITRE

OVERDRIVE UNIT

FITTED FROM CHASSIS NO. 1B.1001 TO 1B.2191 AND 1B.25001 TO 1B.25300

Part No.	Description	Plate No.	No. per Unit	Remarks
C.11433	BRAKE RING (62128)	30-7	1	
C.11431	SUN WHEEL, PLANETARY CARRIER AND ANNULUS ASSEMBLY (65605)		1	
C.5931	Sun Wheel Assembly (65526)	30-8	1	
C.5932	Planetary Carrier Assembly (65562)	30-9	1	
C.11432	Annulus Assembly (65600)	30-10	1	
C.5932	PLANETARY CARRIER ASSEMBLY (65562)	30-9	1	
7976	Shaft, for Planetary Bearings (64399)		3	
C.11839	Bearing (Torrington) inside Planetary Wheels (65027)		6	
C.5674	Thrust Washer, behind Planetary Gears (65336)		3	
C.5975	Thrust Washer (Phosphor Bronze) adjacent to Planetary Carrier (60631)	30-11	1	
C.5941	Thrust Washer (Phosphor Bronze) adjacent to front face of Sunwheel (60629)	30-12	1	
C.5943	Thrust Washer (Steel) at front of Phosphor Bronze Washer (60667/A) (.113"/.114" thick)	30-13	1	} SELECTIVE SIZES
C.5944	Thrust Washer (Steel) at front of Phosphor Bronze Washer (60667/B) (.107"/.108" thick)	30-13	1	
C.5945	Thrust Washer (Steel) at front of Phosphor Bronze Washer (60667/C) (.101"/.102" thick)	30-13	1	
C.5946	Thrust Washer (Steel) at front of Phosphor Bronze Washer (60667/D) (.095"/.096" thick)	30-13	1	
C.5947	Thrust Washer (Steel) at front of Phosphor Bronze Washer (60667/E) (.089"/.090" thick)	30-13	1	
C.5948	Thrust Washer (Steel) at front of Phosphor Bronze Washer (60667/F) (.083"/.084" thick)	30-13	1	
C.5949	Thrust Washer (Steel) at front of Phosphor Bronze Washer (60667/G) (.077"/.078" thick)	30-13	1	
C.5956	CAGE FOR UNI-DIRECTIONAL CLUTCH (64011)	30-14	1	
C.5967	Roller, for Cage (12 rollers per set) (65534)	30-15	1 set	SUPPLIED ONLY IN SETS
C.5950	Spring, for Cage (64059 or 60676)	30-16	1	
C.5957	INNER MEMBER FOR UNI-DIRECTIONAL CLUTCH (FREE-WHEEL) (64010)	30-17	1	
C.5942	Thrust Washer, behind Uni-Directional Clutch Inner Member (60634)	30-18	1	
C.5969	BALL BEARING, ON SHAFT, ADJACENT TO ANNULUS (1 1/4" x 2 3/4" x 1 1/16") (65025)	30-19	1	

3.4 LITRE OVERDRIVE UNIT

FITTED FROM CHASSIS NO. 1B.1001 TO 1B.2191 AND 1B.25001 TO 1B.25300

Part No.	Description	Plate No.	No. per Unit	Remarks
C.5687	BALL BEARING AT REAR END OF ANNULUS SHAFT (30 x 62 x 16 mm.) (65026)	30-20	1	
C.5981	Spacing Washer, behind Bearing (.146" thick) (60657/E)	30-21	1	} SELECTIVE SIZES
C.5694	Spacing Washer, behind Bearing (.151" thick) (60657/F)	30-21	1	
C.5695	Spacing Washer, behind Bearing (.156" thick) (60657/G)	30-21	1	
C.5696	Spacing Washer, behind Bearing (.161" thick) (60657/H)	30-21	1	
C.5697	Spacing Washer, behind Bearing (.166" thick) (60657/J)	30-21	1	
C.11429	REAR CASING ASSEMBLY (65602)	30-22	1	
C.5927	Stud, in Rear Casing (60819)	30-23	4	
C.11210	Pilot Bush, in Rear Casing, for Speedometer Driven Gear (64514)	30-24	1	
C.8919	Bolt, securing Overdrive Unit to Spring Retainer		2	
FW.108/T	Washer, Plain, under head of Bolts		2	
C.8667/4	Nut, Self-Locking, on Bolts		2	
C.11929	SPEEDOMETER DRIVE ASSEMBLY	30-25	1	
C.11211	'O' Ring, around Speedometer Drive (64564)		1	
C.5680	Screw, locking Speedometer Drive in Casing (61082)	30-26	1	
FG.105/X	Washer, Spring, on Locking Screw	30-27	1	
C.5686	OIL SEAL AT END OF REAR CASING (65357)	30-28	1	
9023	FLANGE, CONNECTING OVERDRIVE UNIT TO PROPELLER SHAFT	30-29	1	
C.5681	Nut, securing Flange to Annulus Shaft (61085)	30-30	1	
C.8772	Washer, Plain, under Nut (AT.20306)	30-31	1	
L.104/12U	Split Pin, locking Nut to Shaft	30-32	1	

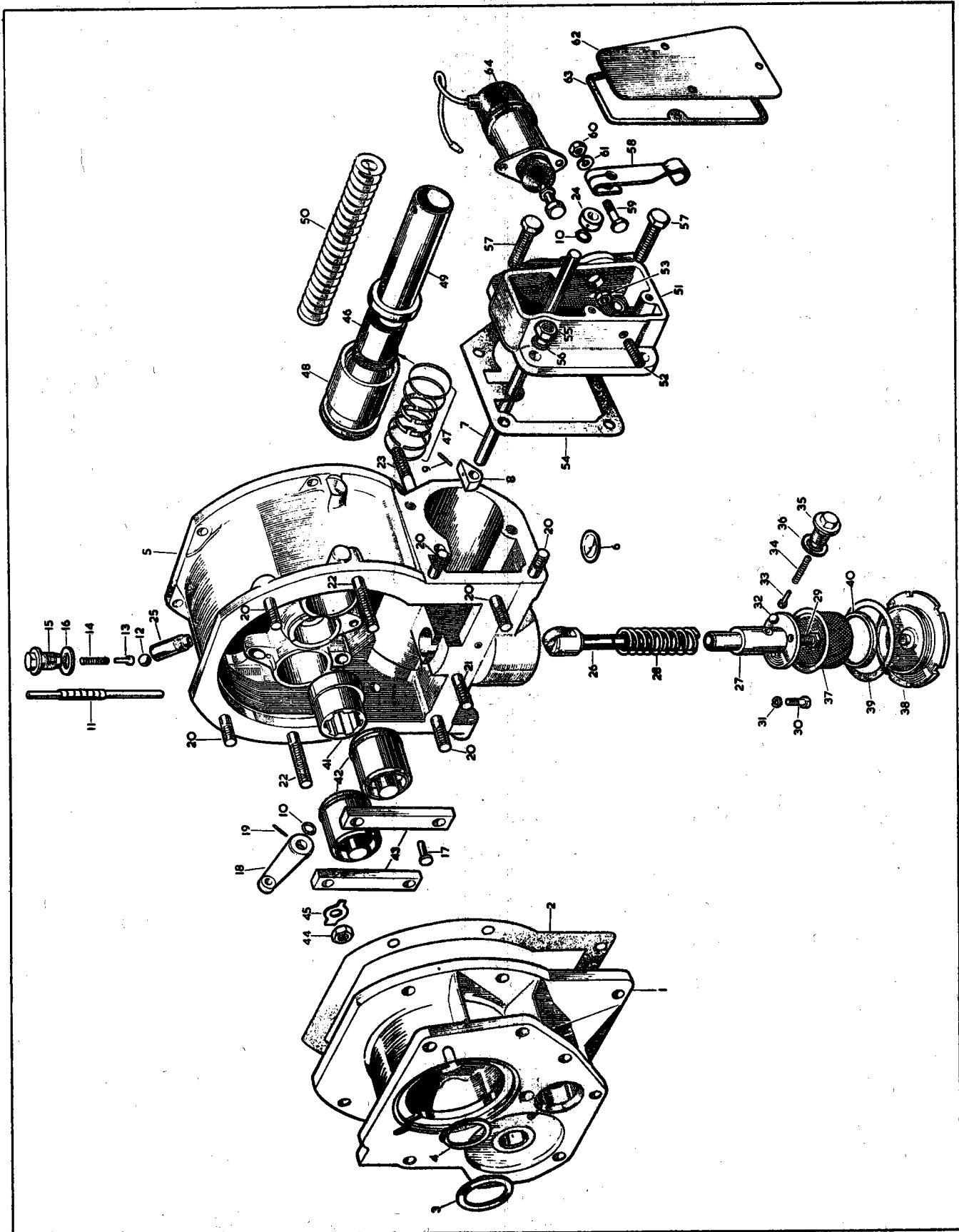
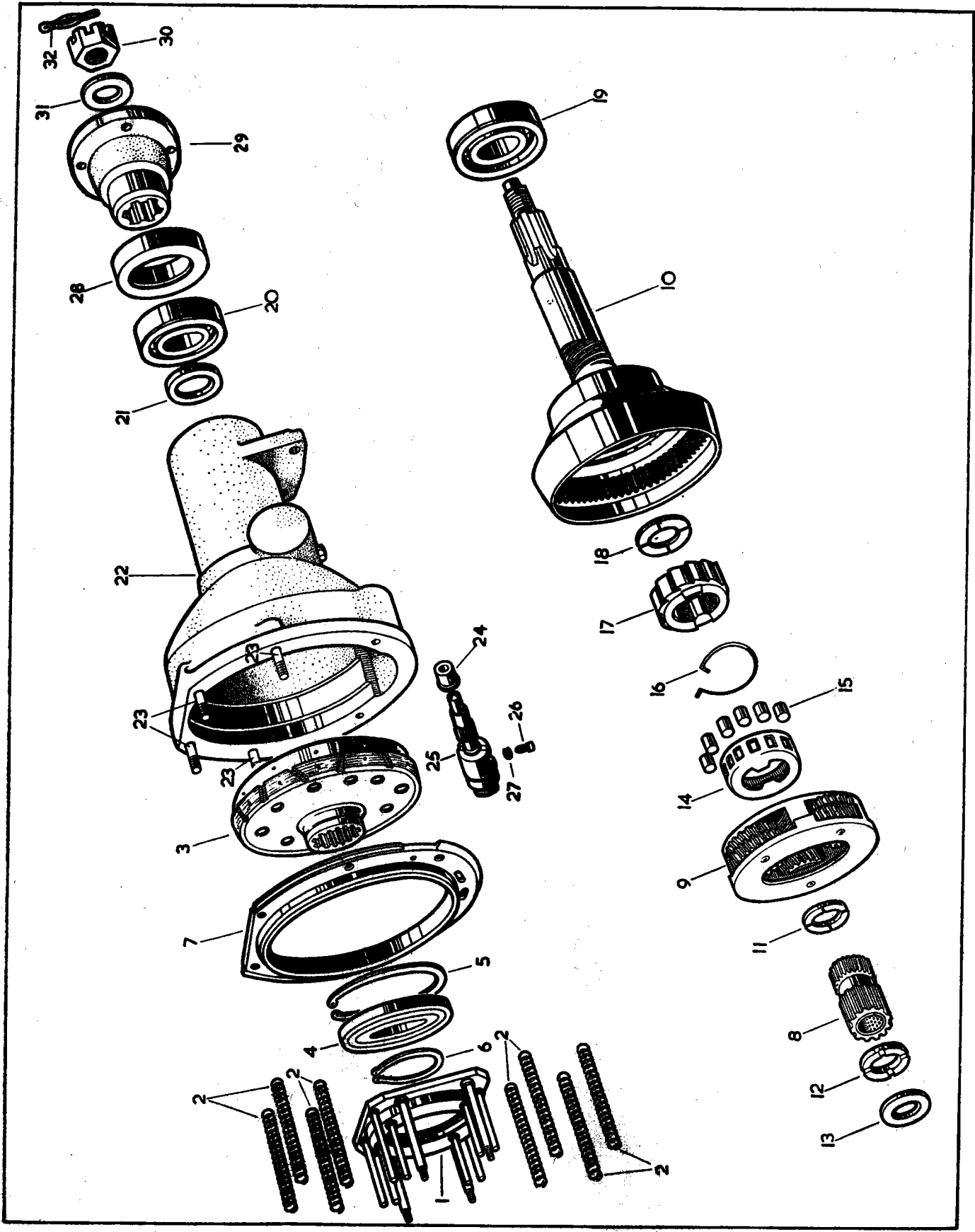


PLATE 29



3.8 LITRE OVERDRIVE UNIT

FITTED FROM CHASSIS NO. 1B.50001 TO 1B.52077 AND 1B.75001 TO 1B.76309

Part No.	Description	Plate No.	No. per Unit	Remarks
C.16040	OVERDRIVE UNIT, COMPLETE (28/63028)		1	
C.5979	EXTENSION FOR ATTACHMENT OF OVERDRIVE UNIT TO GEARBOX (60140/A)	31-1	1	
C.5935	Gasket, between Extension and Front Casing (62161)	31-2	1	
C.5983	Washer, Spacing (Steel) behind Gearbox Rear Bearing (60778)	31-3	1	
C.5685	Circlip, 1 3/8" External, behind Spacing Washer on Gearbox Mainshaft (9015)	31-4	1	
C.5900	FRONT CASING ASSEMBLY (65599)	31-5	1	
C.5904	Welch Washer, sealing Bleed Holes (60479)	31-6	1	
C.5907	Shaft, for Main Operating Valve (60712)	31-7	1	
7982	Cam Lever, for Operating Shaft (60785)	31-8	1	
C.5921	Taper Pin, securing Cam Lever (6127)	31-9	1	
C.10378	'O' Ring, at each end of Shaft (64486)	31-10	2	
C.5915	Main Operating Valve (60649)	31-11	1	
C.5922	Ball, 1/16" dia. at top of Valve (9809)	31-12	1	
C.5919	Plunger, for Ball (60036)	31-13	1	
7972	Spring, for Plunger (60440)	31-14	1	
C.5906	Plug, retaining Valve Parts (65709)	31-15	1	
C.5903	Washer (Copper) under Valve Plug (60024)	31-16	1	
C.5917	Guide Peg, positioning Oil Pump Plunger in Front Casing (60723)	31-17	1	
C.5908	Lever, on Shaft outside Front Casing, for setting of Main Operating Valve (60813)	31-18	1	
C.5921	Taper Pin, securing Valve Setting Lever to Operating Shaft (6127)	31-19	1	
C.5909	Stud, in front and side faces of Casing (60677)	31-20	6	
C.5910	Stud, in front face of Casing (60678)	31-21	1	
C.5913	Stud, in front face of Casing (61091)	31-22	2	
C.5912	Stud, in rear face of Casing (60664)	31-23	2	
C.8767	Collar, on Valve Operating Shaft, behind Solenoid Operating Lever (64373)	31-24	1	
C.5671	Breather, at top of Front Casing (64370)	31-25	1	
UFN.131/L	Nut, on Studs in Front Casing (65361)		11	
FG.105/X	Washer, Spring, under Nuts (65462)		11	
C.5928	OIL PUMP PLUNGER ASSEMBLY IN FRONT CASING (65522)	31-26	1	
C.5955	Body, for Oil Pump (60845)	31-27	1	
C.5938	Spring, tensioning Oil Pump Plunger (60536)	31-28	1	
C.5939	Plug, securing Oil Pump Plunger in Body (60620)	31-29	1	
C.5960	Screw, Set, securing Oil Pump Body to Front Casing (65290)	31-30	2	
FG.103/X	Washer, Spring, on Setscrews (1431)	31-31	2	
C.5966	Ball, 1/4" dia., for non-return Valve to Oil Pump (9802)	31-32	1	
C.5919	Plunger, behind Ball (60036)	31-33	1	
7972	Spring, for Plunger (60440)	31-34	1	
C.5906	Plug, retaining non-return Valve (65709)	31-35	1	
C.5903	Washer (Copper) under Plug (60024)	31-36	1	

3.8 LITRE**OVERDRIVE UNIT****FITTED FROM CHASSIS NO. 1B.50001 TO 1B.52077 AND 1B.75001 TO 1B.76309**

Part No.	Description	Plate No.	No. per Unit	Remarks
8357	FILTER AT BOTTOM OF OIL PUMP (60152)	31-37	1	
8355	DRAIN PLUG AT BOTTOM OF OIL FILTER (60253)	31-38	1	
C.5936	Washer (Fibre) on Drain Plug (60406)	31-39	1	
8356	MAGNETIC RING IN OIL FILTER (60151)	31-40	1	
C.5982	CAM, OPERATING OIL PUMP (60663)	31-41	1	
7947	OPERATING PISTON ASSEMBLY IN FRONT CASING (65586)	31-42	2	
7949	'O' Ring, on Operating Pistons (61647)		2	
C.5952	Bridge Piece, retaining Operating Pistons (60704)	31-43	2	
UFN.125/L	Nut, securing Bridge Piece (65360)	31-44	4	
C.5965	Tab Washer, locking Nuts (65300)	31-45	4	
7969	ACCUMULATOR PISTON ASSEMBLY, COMPLETE WITH RINGS (65520)	31-46	1	
7981	Ring, for Piston (comprising two wide and four narrow Rings per Piston) (65369)	31-47	1 set	SUPPLIED ONLY IN SETS
7970	HOUSING ASSEMBLY FOR ACCUMULATOR PISTON (65535)	31-48	1	
C.5924	'O' Ring, on Housing (131/5)		1	
7975	SPACING TUBE, HOUSING ACCUMULATOR SPRING (61641)	31-49	1	
7973	SPRING (LARGE) INSIDE SPACING TUBE, FOR ACCUMULATOR PISTON (61638)	31-50	1	

3.8 LITRE OVERDRIVE UNIT

FITTED FROM CHASSIS NO. 1B.50001 TO 1B.52077 AND 1B.75001 TO 1B.76309

Part No.	Description	Plate No.	No. per Unit	Remarks
7974	SPRING (SMALL) INSIDE SPACING TUBE, FOR ACCUMULATOR PISTON (61651)	31-50A	1	
C.19835	BRACKET ASSEMBLY, MOUNTING SOLENOID	31-51	1	
10481	Allen Screw, adjusting travel on Solenoid Plunger (121/34)	31-52	1	
UFN.225/L	Nut, locking, Allen Screw	31-53	1	
C.5954	Gasket, between Bracket and Front Casing (60823)	31-54	1	
UFN.131/L	Nut, securing Bracket to Studs at side of Front Casing (65361)	31-55	2	
FG.105/X	Washer, Spring, under Nuts (65462)	31-56	2	
C.5961	Screw, Set (Head painted red) securing Solenoid Mounting Bracket and holding Accumulator Spring in tension (65291)	31-57	2	
FW.105/T	Washer, Plain, on Setscrews (65312)		2	
C.11208	Lever, on Operating Shaft for Solenoid (64573)	31-58	1	
UFB.125/6R	Bolt, clamping Lever to Shaft	31-59	1	
UFN.125/L	Nut, on Bolt	31-60	1	
FG.104/X	Washer, Spring, under Nut (X.1002)	31-61	1	
C.19836	COVER PLATE FOR SOLENOID MOUNTING BRACKET	31-62	1	
C.11205	Gasket, between Cover Plate and Mounting Bracket (64812)	31-63	1	
UFS.119/12R	Screw, Set, securing Cover Plate		3	
C.7471	SOLENOID (76505/B--TGS. 1)	31-64	1	
9240	Gasket, between Solenoid and Mounting Bracket		1	
UFS.319/4H	Screw, Set, securing Solenoid to Mounting Bracket		2	
AG.102/X	Washer, Spring, on Setscrews		2	
C.5929	THRUST RING ASSEMBLY, FOR CLUTCH (65537)	32-1	1	
C.5655	SPRINGS ON PINS OF THRUST RING (65538)	32-2	1 set	
	(SUPPLIED ONLY IN SETS OF FOUR SHORT AND EIGHT LONG SPRINGS)			

3.8 LITRE

OVERDRIVE UNIT

FITTED FROM CHASSIS NO. 1B.50001 TO 1B.52077 AND 1B.75001 TO 1B.76309

Part No.	Description	Plate No.	No. per Unit	Remarks
C.5930	SLIDING MEMBER ASSEMBLY, FOR CLUTCH (65524)	32-3	1	
C.5968	Ball Bearing, for Sliding Member (50 x 90 x 11 mm.) (65024)	32-4	1	
C.5689	Circlip (90 mm. Internal) securing Ball Bearing from back (9108)	32-5	1	
C.5977	Circlip (1 7/8" External) securing Ball Bearing from front (9003)	32-6	1	
C.11433	BRAKE RING (62128)	32-7	1	
C.11431	SUN WHEEL, PLANETARY CARRIER AND ANNULUS ASSEMBLY (65605)		1	
C.5931	Sun Wheel Assembly (65526)	32-8	1	
C.5932	Planetary Carrier Assembly (65562)	32-9	1	
C.11432	Annulus Assembly (65600)	32-10	1	
C.5932	PLANETARY CARRIER ASSEMBLY (65562)	32-9	1	
7976	Shaft, for Planetary Bearings (64399)		3	
C.11839	Bearing (Torrington) inside Planetary Wheels (65027)		6	
C.5674	Thrust Washer, behind Planetary Gears (65338)		3	
C.5975	Thrust Washer (Phosphor Bronze) adjacent to Planetary Carrier (60631)	32-11	1	
C.5941	Thrust Washer (Phosphor Bronze) adjacent to front face of Sunwheel (60629)	32-12	1	
C.5943	Thrust Washer (Steel) at front of Phosphor Bronze Washer (60667/A) (-113"/-114" thick)	32-13	1	} SELECTIVE SIZES
C.5944	Thrust Washer (Steel) at front of Phosphor Bronze Washer (60667/B) (-107"/-108" thick)	32-13	1	
C.5945	Thrust Washer (Steel) at front of Phosphor Bronze Washer (60667/C) (-101"/-102" thick)	32-13	1	
C.5946	Thrust Washer (Steel) at front of Phosphor Bronze Washer (60667/D) (-095"/-096" thick)	32-13	1	
C.5947	Thrust Washer (Steel) at front of Phosphor Bronze Washer (60667/E) (-089"/-090" thick)	32-13	1	
C.5948	Thrust Washer (Steel) at front of Phosphor Bronze Washer (60667/F) (-083"/-084" thick)	32-13	1	
C.5949	Thrust Washer (Steel) at front of Phosphor Bronze Washer (60667/G) (-077"/-078" thick)	32-13	1	
C.5956	CAGE FOR UNI-DIRECTIONAL CLUTCH (64011)	32-14	1	
C.5967	Roller, for Cage (12 rollers per set) (65534)	32-15	1 set	SUPPLIED ONLY IN SETS
C.5960	Spring, for Cage (64059 or 60676)	32-16	1	

3.8 LITRE OVERDRIVE UNIT

FITTED FROM CHASSIS NO. 1B.50001 TO 1B.52077 AND 1B.75001 TO 1B.76309

Part No.	Description	Plate No.	No. per Unit	Remarks
C.5957	INNER MEMBER FOR UNI-DIRECTIONAL CLUTCH (FREE-WHEEL) (64010)	32-17	1	
C.5942	Thrust Washer, behind Uni-Directional Clutch Inner Member (60634)	32-18	1	
C.5969	BALL BEARING, ON SHAFT, ADJACENT TO ANNULUS (1 1/4" x 2 3/4" x 1 1/16") (65025)	32-19	1	
C.5687	BALL BEARING AT REAR END OF ANNULUS SHAFT (30 x 62 x 16 mm.) (65026)	32-20	1	
C.5981	Spacing Washer, behind Bearing (.146" thick) (60657/E)	32-21	1	} SELECTIVE SIZES
C.5694	Spacing Washer, behind Bearing (.151" thick) (60657/F)	32-21	1	
C.5695	Spacing Washer, behind Bearing (.156" thick) (60657/G)	32-21	1	
C.5696	Spacing Washer, behind Bearing (.161" thick) (60657/H)	32-21	1	
C.5697	Spacing Washer, behind Bearing (.166" thick) (60657/J)	32-21	1	
C.11429	REAR CASING ASSEMBLY (65602)	32-22	1	
C.5927	Stud, in Rear Casing (60819)	32-23	4	
C.11210	Pilot Bush, in Rear Casing, for Speedometer Driven Gear (64514)	32-24	1	
C.8919	Bolt, securing Overdrive Unit to Spring Retainer		2	
FW.108/T	Washer, Plain, under head of Bolts		2	
C.8667/4	Nut, Self-Locking, on Bolts		2	
C.11929	SPEEDOMETER DRIVE ASSEMBLY	32-25	1	
C.11211	'O' Ring, around Speedometer Drive (64564)			
C.5680	Screw, locking Speedometer Drive in Casing (61082)	32-26	1	
FG.105/X	Washer, Spring, on Locking Screw	32-27	1	
7980	OIL SEAL AT END OF REAR CASING (65357)	32-28	1	
9023	FLANGE CONNECTING OVERDRIVE UNIT TO PROPELLER SHAFT	32-29	1	
C.5681	Nut, securing Flange to Annulus Shaft (61085)	32-30	1	
C.8722	Washer, Plain, under Nut (AT.20306)	32-31	1	
L.104/12U	Split Pin, locking Nut to Shaft	32-32	1	

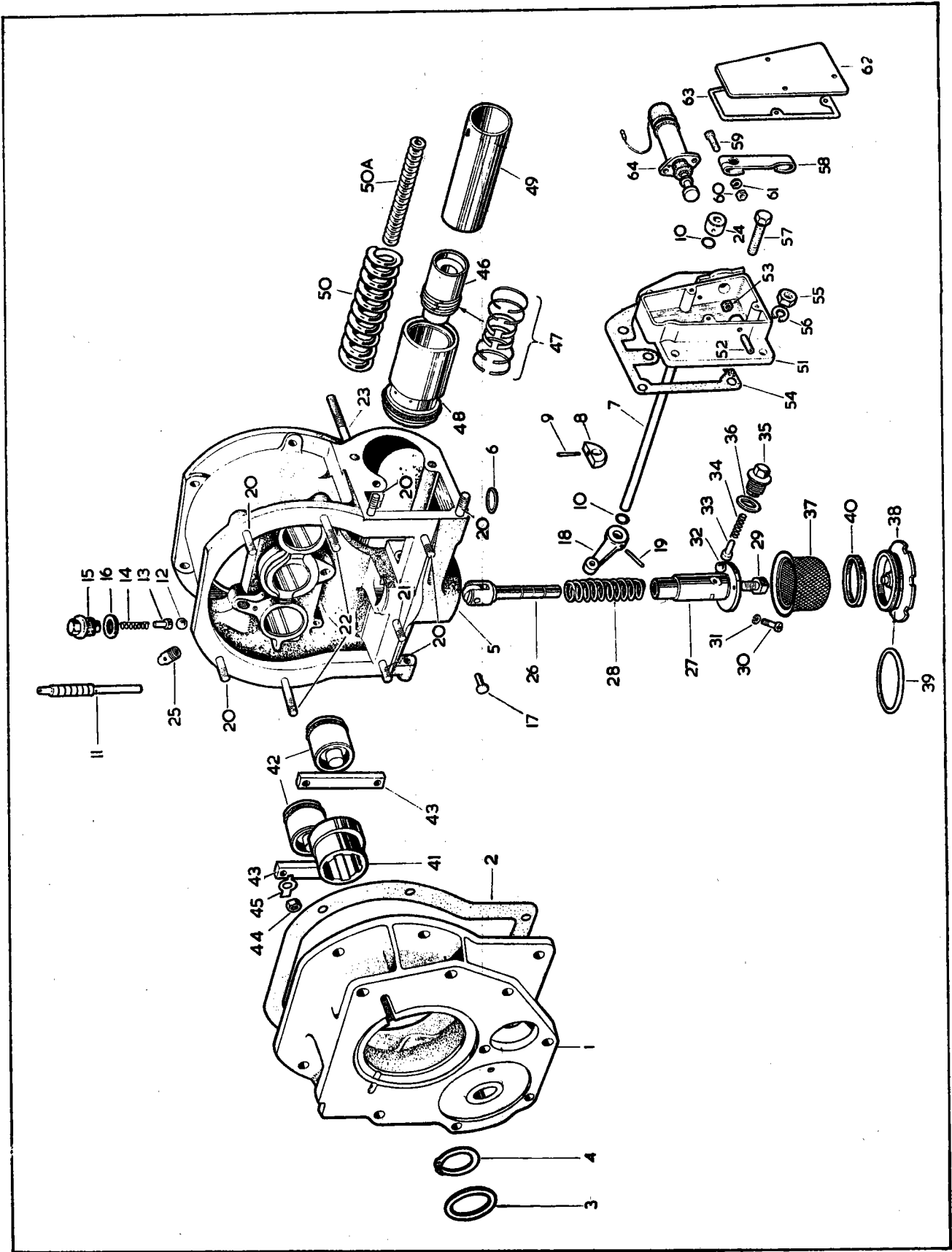
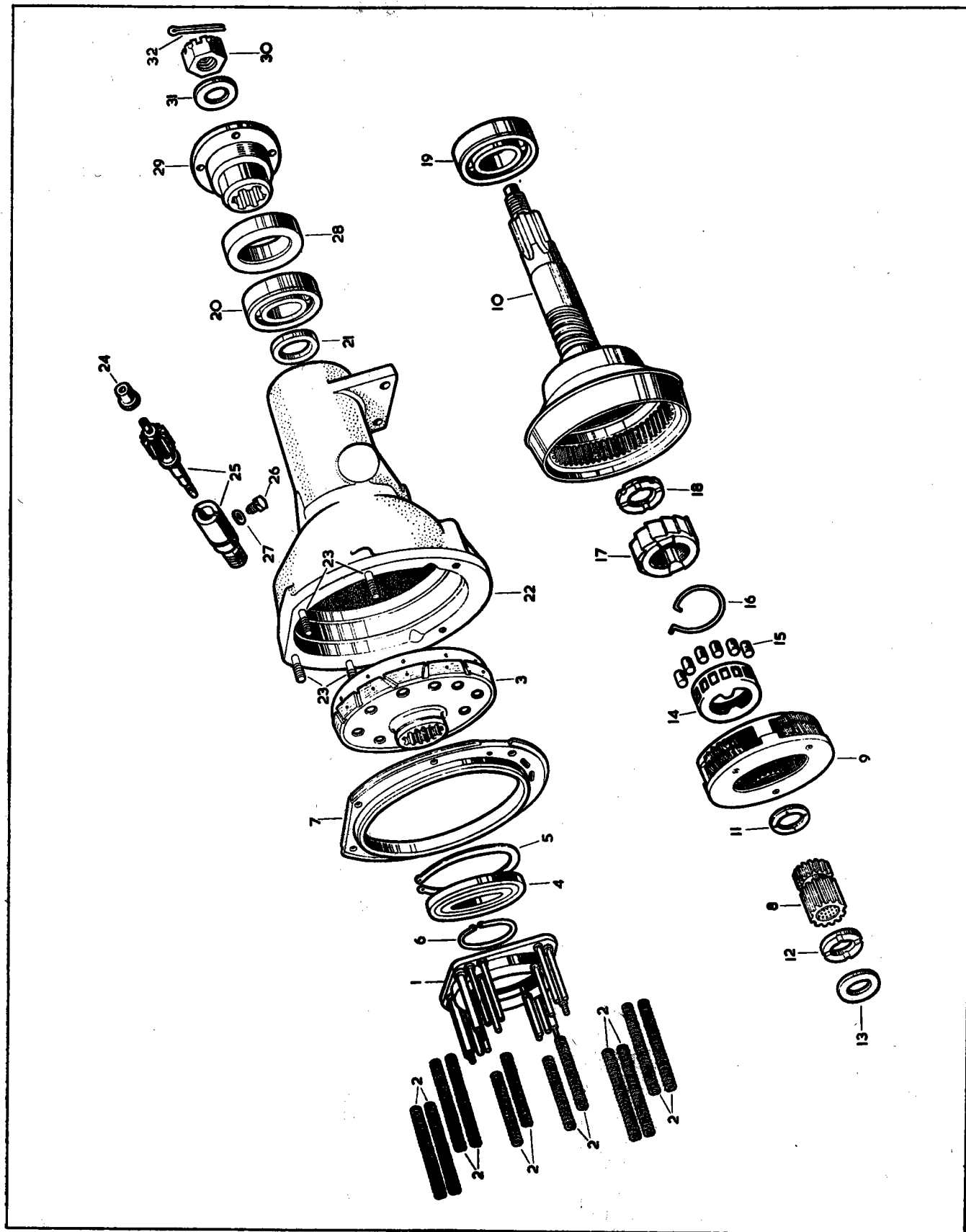


PLATE 31



OVERDRIVE UNIT

FITTED TO CHASSIS NO. 1B.2192 AND SUBS.
1B.25301 AND SUBS.

3-4 LITRE

1B.52078 AND SUBS.
1B.76310 AND SUBS.

3-8 LITRE

Part No.	Description	Plate No.	No. per Unit	Remarks
C.22620	OVERDRIVE UNIT, COMPLETE (28/60572)		1	
10811	ADAPTOR PLATE FOR ATTACHMENT OF OVERDRIVE UNIT TO GEARBOX (60439)	33-1	1	
10812	Gasket, between Adaptor Plate and Front Casing (60456)	33-2	1	
10813	Stud, fixing Adaptor Plate to Front Casing (63603/2)	33-3	4	
10814	Stud, fixing Adaptor Plate to Rear Casing (60395)	33-4	2	
UFN.131/L	Nut, on Studs (127/2/A)		6	
FG.105/X	Washer, Spring, under Nuts (1402)		6	
10815	FRONT CASING ASSEMBLY (65904)	33-5	1	
10816	Shaft, for Main Operating Valve (60388)	33-6	1	
10817	Cam, on Shaft (60595)	33-7	1	
10818	Lever, on Shaft (60387)	33-8	1	
10819	Roll Pin, securing Cam and Lever to Shaft (138/39)	33-9	2	
C.10378	'O' Ring, on Shaft, between Lever and Casing (64486)	33-10	1	
10820	Welch Washer, sealing aperture in front face of Casing (144/9)	33-11	1	
C.5675	Stop (rubber) for Solenoid (64283)	33-12	1	
C.5671	Breather, at top of Casing (64370)	33-13	1	
10822	Stud, fixing Front Casing to Rear Casing (60393)	33-14	2	
UFN.131/L	Nut, on Studs of Front Casing (127/2/A)		2	
FG.105/X	Washer, Spring, under Nuts (1402)		2	
10823	MAIN OPERATING VALVE (61033)	33-15	1	
C.5922	Ball, 1/4" diameter, at bottom of Valve (9809)	33-16	1	
C.5919	Plunger, below Ball (60036)	33-17	1	
7972	Spring, under Plunger (60440)	33-18	1	
10824	Plug, retaining Valve Parts (60385)	33-19	1	
C.5903	Washer (Copper) on Plug (60024)	33-20	1	
10825	OIL PUMP PLUNGER ASSEMBLY IN FRONT CASING (65906)	33-21	1	
10826	Body, for Oil Pump (60450)	33-22	1	
C.5938	Spring, tensioning Oil Pump Plunger (60536)	33-23	1	
10827	Screw, retaining Oil Pump Body in Front Casing (60399)	33-24	1	
10828	Washer (Fibre) on Screw (1678)	33-25	1	
10829	'O' Ring, around Oil Pump Body (131/3)	33-26	1	
10830	NON-RETURN VALVE KIT (65851)		1	
	Comprising:--			
11090	Body, for Non-Return Valve (64548)	33-27	1	
C.9818	Ball, 1/2" diameter, for Non-Return Valve (9811)	33-28	1	
10831	Spring, for Non-Return Valve (60334)	33-29	1	
11089	Support Rod, for Spring (6662)	33-30	1	
10832	Plug, retaining Valve Parts (60452)	33-31	1	
10833	Washer (Copper) on Plug (60453)	33-32	1	

OVERDRIVE UNIT

FITTED TO CHASSIS NO. 1B.2192 AND SUBS. } 3-4 LITRE 1B.52078 AND SUBS. } 3-8 LITRE
 1B.25301 AND SUBS. } 1B.76310 AND SUBS. }

Part No.	Description	Plate No.	No. per Unit	Remarks
10834	OIL FILTER, IN FRONT CASING (60525)	33-33	1	
10835	MAGNETIC RING, AT EACH END OF FILTER (65902) (SET OF FOUR RINGS)	33-34	1 set	
10836	PLUG, RETAINING FILTER (60524)	33-35	1	
10837	Washer, on Plug (60531)	33-36	1	
C.23406	CAM, OPERATING OIL PUMP (60447)	33-37	1	
10838	OPERATING PISTON ASSEMBLY, IN FRONT CASING (65905)	33-38	2	
7949	'O' Ring, on Operating Pistons (61647)	33-39	2	
10839	Bridge Piece, retaining Operating Pistons (60357)	33-40	2	
UFN.125/L	Nut, securing Bridge Pieces (65285)	33-41	4	
C.5965	Tab Washer, locking Nuts (65300)	33-42	4	
10840	ACCUMULATOR PISTON ASSEMBLY, COMPLETE WITH RINGS (65896)	33-43	1	
C.5677	Ring, on Piston (60814) (Comprising one wide and two narrow Rings per set).	33-44	2 sets	SUPPLIED ONLY IN SETS
10969	SPRING, FOR ACCUMULATOR PISTON (60792)	33-45	1	
10841	Support Rod, inside Accumulator Spring (60582)	33-46	1	} SELECTIVE SIZES
11334	Packing Washer (.128" thick) at bottom of Accumulator Spring (64648/1)	33-47	As req'd	
11335	Packing Washer (.056" thick) at bottom of Accumulator Spring (64648/2)	33-47	As req'd	
11336	Packing Washer (.020" thick) at bottom of Accumulator Spring (64648/3)	33-47	As req'd	
11337	Packing Washer (.104" thick) at bottom of Accumulator Spring (64648/4)	33-47	As req'd	
11338	Packing Washer (.160" thick) at bottom of Accumulator Spring (64648/5)	33-47	As req'd	
11339	Packing Washer (.048" thick) at bottom of Accumulator Spring (64648/6)	33-47	As req'd	
10842	Plug, retaining Accumulator Spring (61345)	33-48	1	
11128	Washer, on Plug (61347)	33-49		
10002	SOLENOID (76522/F-11S) (65210)	33-50	1	See also Electrical Equipment (Overdrive Transmission)
9240	Gasket between Solenoid and Front Casing (60121)	33-51	1	
UFS.119/4R	Screw, Set, securing Solenoid to Front Casing		2	
AG.102/X	Washer, Spring, on Setscrews		2	
C.8737/1	Nut, for Solenoid Plunger Adjustment (5721)	33-52	1	
10844	Gasket, under Solenoid Inspection Cover (Name Plate) (60397)	33-53	1	
UFS.119/4R	Screw, Set, securing Inspection Cover to Front Casing		4	
C.723/A	Washer, Shakeproof, on Setscrews		4	

OVERDRIVE UNIT

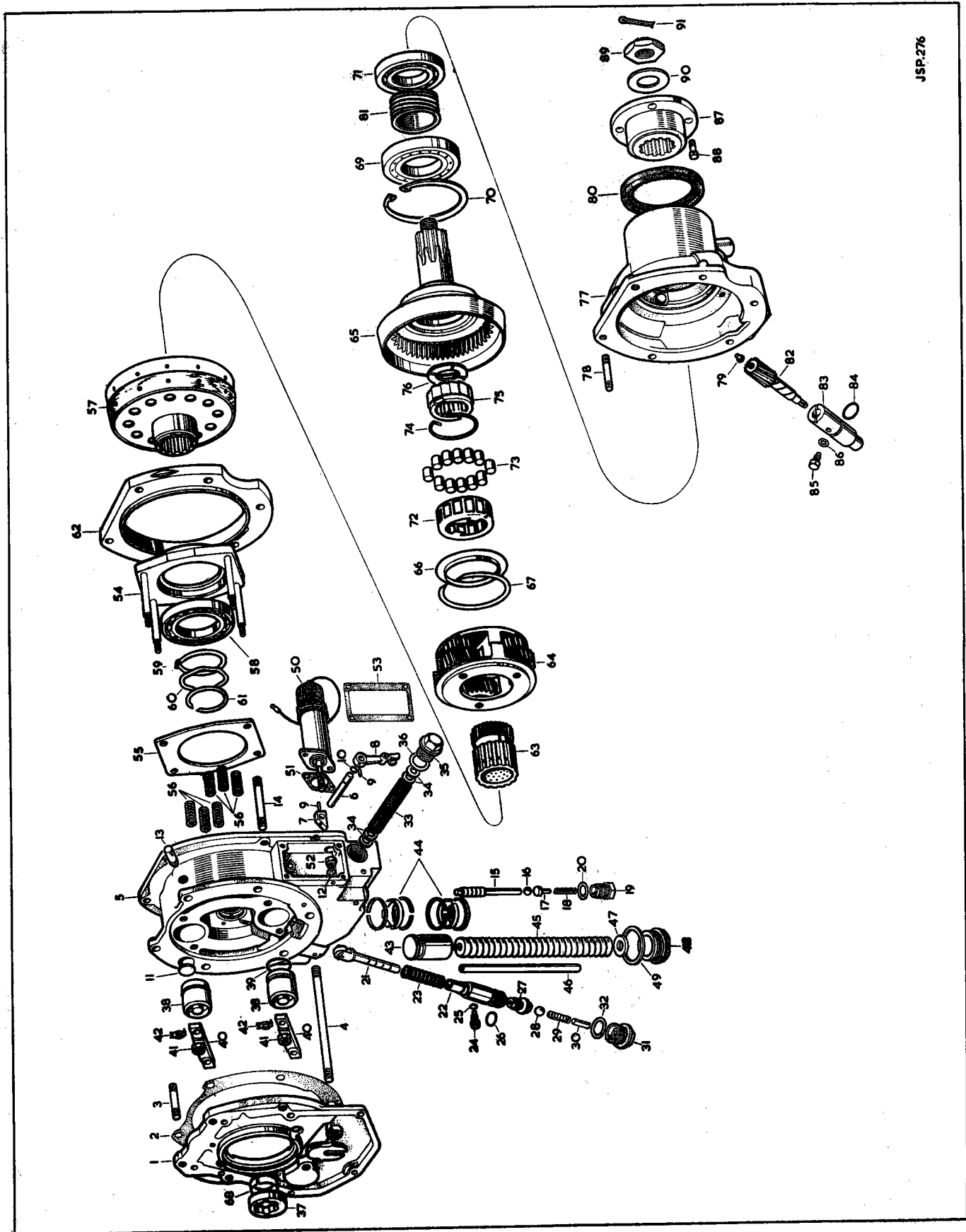
FITTED TO CHASSIS NO. 1B.2192 AND SUBS. } 3-4 LITRE 1B.52078 AND SUBS. } 3-8 LITRE
 1B.25301 AND SUBS. }

Part No.	Description	Plate No.	No. per Unit	Remarks
10845	THRUST RING ASSEMBLY FOR CLUTCH (65899)	33-54	1	
10846	Plate, retaining Thrust Ring to Bearing on Sliding Member (60372)	33-55	1	
11303	SPRING, ON PINS OF THRUST RING (65966) (SUPPLIED ONLY IN SETS OF SIX SPRINGS)	33-56	1 set	
10848	SLIDING MEMBER ASSEMBLY, FOR CLUTCH (65920)	33-57	1	
C.5968	Ball Bearing, on Sliding Member (65024)	33-58	1	
C.5977	Circlip (1 1/8" External) securing Ball Bearing (9003)	33-59	1	
9152	Corrugated Washer, on Sun Wheel, forward of Sliding Member (63616)	33-60	1	
10849	Snap Ring, retaining Sliding Member to Sun Wheel (60375)	33-61	1	
10850	BRAKE RING (60438)	33-62	1	
10851	SUN WHEEL ASSEMBLY (65900)	33-63	1	
10852	PLANETARY CARRIER ASSEMBLY (65901)	33-64	3	
10853	Shaft, for Planetary Bearings (60380)		3	
10854	Mills Pin, securing Shafts (6380)		3	
10855	Bearing (Torrington) inside Planetary Gears (62555)		6	
11125	Spacing Collar, between Bearings (63743)		3	
7979	Thrust Washer, behind Planetary Gears (65336)		3	
10856	ANNULUS ASSEMBLY (65897)	33-65	1	
10857	Oil Thrower, in Annulus (63714)	33-66	1	
9117	Spring Ring, securing Oil Thrower (61619)	33-67	1	
C.18957	Spring Clip, preventing forward movement of Annulus and Planetary Carrier	33-68	1	
10858	BALL BEARING, ON SHAFT, ADJACENT TO ANNULUS (45 x 85 x 11 mm.) (186/53)	33-69	1	
10859	Circlip, retaining Ball Bearing in Rear Casing (9142)	33-70	1	
9178	BALL BEARING, AT REAR END OF ANNULUS SHAFT (40 x 80 x 17 mm.) (186/60)	33-71	1	

OVERDRIVE UNIT

FITTED TO CHASSIS NO. 1B.2192 AND SUBS. } 3-4 LITRE 1B.52078 AND SUBS. } 3-8 LITRE
 1B.25301 AND SUBS. }

Part No.	Description	Plate No.	No. per Unit	Remarks
C.5956	CAGE FOR UNI-DIRECTIONAL CLUTCH (64011)	33-72	1	
C.5967 9116	Roller , for Cage (12 rollers per set) (65534) Spring , for Cage (60676)	33-73 33-74	1 set 1	
C.5957	INNER MEMBER FOR UNI-DIRECTIONAL CLUTCH (FREE WHEEL) (64010)	33-75	1	
C.5942	Thrust Washer , behind Inner Member (60634)	33-76	1	
10860	REAR CASING ASSEMBLY (65907)	33-77	1	
10861 10862	Stud , fixing Rear Casing to Front Casing (60489) Thrust Button , for Speedometer Driven Gear (64698)	33-78 33-79	2 1	
UFN.131/L FG.105/X	Nut , on Studs of Rear Casing (127/2/A) Washer , Spring, under Nuts (1402)		2 2	
10863	OIL SEAL AT END OF REAR CASING (9231)	33-80	1	
10864	SPEEDOMETER DRIVING GEAR (60491)	33-81	1	
10865	SPEEDOMETER DRIVEN GEAR (60490)	33-82	1	
10866	BEARING ASSEMBLY FOR SPEEDOMETER DRIVEN GEAR (65606)	33-83	1	
C.11211	'O' Ring , around Bearing (64564)	33-84	1	
C.5680 7978	Screw , retaining Bearing in Rear Casing (61082) Washer (Copper) on Screw (64941)	33-85 33-86	1 1	
10867	FLANGE, CONNECTING OVERDRIVE UNIT TO PROPELLER SHAFT (60376)	33-87	1	
C.19827	Bolt , in Flange, for connection of Propeller Shaft	33-88	4	
9121 9122 L.104/12U	Nut , Slotted, securing Flange to Annulus Shaft (63575) Washer , under Slotted Nut (63576) Split Pin , locking Slotted Nut (6022)	33-89 33-90 33-91	1 1 1	



AUTOMATIC TRANSMISSION UNIT

FITTED FROM CHASSIS NO. 1B.1001 TO 1B.8444
 1B.25001 TO 1B.26240 } 3-4 LITRE

 1B.50001 TO 1B.59528 } 3-8 LITRE
 1B.75001 TO 1B.80287

Part No.	Description	Plate No.	No. per Unit	Remarks
C.17705	AUTOMATIC TRANSMISSION ASSEMBLY (MODEL DG) (J.20-0047) LESS CONVERTER		1	Fitted from Chassis No. 1B.1001 to 1B.3029 } 3-4 litre 1B.25001 to 1B.25434 } 1B.50001 to 1B.53219 } 3-8 litre 1B.75001 to 1B.77227 } C.25615 AND C.23447 MAY BE USED TOGETHER AS REPLACEMENTS
C.17085	CONVERTER ASSEMBLY (FC.15180)		1	
8333	Drain Plug, for Converter (T.90012)		1	
8334	Sealing Washer, on Plug (T.90014)		1	
C.25615	AUTOMATIC TRANSMISSION ASSEMBLY (MODEL DG) (20-00411) LESS CONVERTER		1	
C.23447	CONVERTER ASSEMBLY (TC.90062)		1	Fitted from Chassis No. 1B.3030 to 1B.8444 } 3-4 litre 1B.25435 to 1B.26240 } 1B.53220 to 1B.59528 } 3-8 litre 1B.77228 to 1B.80287 } MAY BE USED TOGETHER AS REPLACEMENTS FOR C.17705 AND C.17085
8333	Drain Plug, for Converter (T.90012)		1	
8334	Sealing Washer, on Plug (T.90014)		1	
3701	TRANSMISSION CASE ASSEMBLY (J.20-504/A)	34-1	1	
3702	Stud, for Transmission Case (J.20-506)		2	
7361	Oil Seal, for Selector Control Shaft (J.20-536/A)		1	
6762	Plug (Allen Head) under Transmission Case, for Pressure take-off (JGM.444688)		2	
3740	DIPSTICK ASSEMBLY (J.20-591)	34-2	1	DETAILS OF THE DIPSTICK USED FOR ROUTINE OIL LEVEL CHECKING APPEAR ON PAGE 176
6677	SELECTOR CONTROL SHAFT ASSEMBLY (J.20-532/A)	34-3	1	
6679	Selector Lever, inside Transmission Case (J.20-537/A)	34-4	1	
5455	Washer, 1/2" Special, on Selector Shaft (J.20-538/B)	34-5	1	
6755	Washer, 5/16" Plain, on Selector Shaft (JGM.103340)		1	
5908	Washer, 5/16" Lock, on Selector Shaft (JGM.103320)		1	
7002	Nut, 5/16", securing Selector Lever to Control Shaft (JGM.103025)		1	
3750	TOGGLE ARM LEVER ASSEMBLY (J.20-630)	34-6	1	
3751	Ring, retaining Toggle Arm Lever in Transmission Case (J.20-633)	34-7	1	

AUTOMATIC TRANSMISSION UNIT

FITTED FROM CHASSIS NO. 1B.1001 TO 1B.8444 } 3-4 LITRE 1B.50001 TO 1B.59528 } 3-8 LITRE
 1B.25001 TO 1B.26240 } 1B.75001 TO 1B.80287 }

Part No.	Description	Plate No.	No. per Unit	Remarks
7336	ROD ASSEMBLY, ACTUATING PARKING BRAKE, FROM SELECTOR CONTROL SHAFT TO TOGGLE ARM LEVER (J.20-6443)	34-8	1	
6772	Swivel, at bottom of Rod (J.20-645)	34-9	1	
6753	Nut, securing Swivel to Rod (JGM.219701)	34-10	1	
3749	INNER SERVO PISTON ASSEMBLY (J.20-622)	34-11	3	
5463	OUTER SERVO PISTON ASSEMBLY (J.20-605/A)	34-12	2	
3703	Seal, for Inner and Outer Servo Pistons (J.20-512)	34-13	5	
5449	PLATE ASSEMBLY FOR REVERSE SERVO CYLINDER (J.20-519/B)	34-14	1	
3625	'O' Ring, ½" x 1 1/16" x 3/32", on Reverse Cylinder Plate (J.20-120)	34-15	1	
5450	Gasket, at front of Plate (J.20-523/A)	34-16	1	
5447	Gasket, at rear of Plate (J.20-518/A)	34-17	1	
6828	REVERSE SERVO CYLINDER (J.20-517/D)	34-18	1	
8434	Bolt, 5/16" x 2 3/4", securing Servo Cylinder to Case (JGM.179829)		3	
8433	Bolt, 5/16" x 2", securing Servo Cylinder to Case (JGM.179826)		2	
8317	Bolt, 5/16" x 1", securing Servo Cylinder to Case (JGM.179818)		1	
5908	Lockwasher, on Bolts (JGM.103320)		6	
9204	Sealing Ring, on Bolts		6	SUPPLIED IN PACK CONTAINING THREE SEALING RINGS
5702	Plug, for testing pressure on Reverse Band (J.20-1103)	34-19	1	
3742	Washer (Copper) on Plug (J.20-594)	34-20	1	
6761	Plug, for testing pressure in Converter (JGM.444571)	34-21	1	
5451	SERVO CYLINDER FOR LOW AND FORWARD LOCK-UP BANDS (J.20-525/D)	34-22	1	
8317	Bolt, 5/16" x 1", securing Servo Cylinder to Transmission Case (JGM.179818)		4	
8433	Bolt, 5/16" x 2", securing Servo Cylinder to Transmission Case (JGM.179826)		5	
5908	Lockwasher, on Bolts (JGM.103320)		9	
9204	Sealing Ring, on Bolts		9	SUPPLIED IN PACK CONTAINING THREE SEALING RINGS
5702	Plug, in Servo Cylinder, for testing pressures on Low and Forward Bands (J.20-1103)	34-23	2	
3742	Washer (Copper) on Plugs (J.20-594)	34-24	2	

AUTOMATIC TRANSMISSION UNIT

FITTED FROM CHASSIS NO. 1B.1001 TO 1B.8444 } 3-4 LITRE 1B.50001 TO 1B.59528 } 3-8 LITRE
 1B.25001 TO 1B.26240 } 1B.75001 TO 1B.80287 }

Part No.	Description	Plate No.	No. per Unit	Remarks
3627	ASSEMBLY OF FRONT PUMP BODY, COMPLETE WITH GEARS (J.20-149)	35-6	1	
3623	Oil Seal, at front end of Pump (J.20-116)		1	
3810	Bolt, ¼" x 1¾", securing Front Pump to Collector Ring (J.20-1102)		1	
8426	Lockwasher, on Bolt (JGM.103319)		1	
8430	Bolt, ⅝" x ⅞", securing Front Pump to Collector Ring (JGM.179817)		2	
8432	Bolt, ⅝" x 1½", securing Front Pump to Collector Ring (JGM.179822)		2	
5908	Lockwasher, on Bolts (JGM.103320)		4	
3677	Thrust Washer, controlling End Float on Front Pump and Mainshaft (-052"/-054" thick) (J.20-388)	35-7	1	} CHOOSE THRUST WASHER OF DESIRED THICKNESS TO MAINTAIN CORRECT END FLOAT
3678	Thrust Washer, controlling End Float on Front Pump and Mainshaft (-061"/-063" thick) (J.20-388/A)	35-7	1	
3679	Thrust Washer, controlling End Float on Front Pump and Mainshaft (-072"/-074" thick) (J.20-388/B)	35-7	1	
3680	Thrust Washer, controlling End Float on Front Pump and Mainshaft (-082"/-084" thick) (J.20-388/C)	35-7	1	
8429	Bolt, ⅝" x ¾", securing Collector Ring to Transmission Case (JGM.179816)		4	
8431	Bolt, ⅝" x 1¼", securing Collector Ring to Transmission Case (JGM.179820)		3	
5908	Lockwasher, on Bolts (JGM.103320)		7	
9370	MAINSHAFT ASSEMBLY, COMPLETE WITH GEAR TRAIN (J.20-30117)		1	Fitted from Chassis No. 1B.1001 to 1B.3029 } 3-4 litre 1B.25001 to 1B.25434 } 1B.50001 to 1B.53219 } 3-8 litre 1B.75001 to 1B.77227 }
C.6919	Tube, in end of Mainshaft, for Oil Transfer (J.20-392)	35-8	1	
10268	MAINSHAFT ASSEMBLY, COMPLETE WITH GEAR TRAIN (J.20-30120)		1	Fitted from Chassis No. 1B.3030 to 1B.8444 } 3-4 litre 1B.25435 to 1B.26240 } 1B.53220 to 1B.59528 } 3-8 litre 1B.77228 to 1B.80287 }
3631	MAINSHAFT ASSEMBLY, LESS GEAR TRAIN (J.20-305)	35-9	1	
3695	Piston Ring, 1" x 7/64", on Mainshaft for Front Planetary Carrier (J.20-413)	35-10	3	
5705	REAR PLANETARY CARRIER ASSEMBLY (J.20-3152)	35-11	1	
3699	Washer, for Rear Planetary Carrier (J.20-423)	35-12	1	
3637	Thrust Washer, for Sun Gear (J.20-321)	35-13	1	
3640	Thrust Washer, between Ring Gear and Planetary Carrier (J.20-325)	35-14	1	
3638	Retainer, securing Planetary Gears to Mainshaft (J.20-322)	35-15	1	
3691	Piston Ring, 1⅝" x 7/64", in Groove on Retainer (J.20-406)	35-16	1	
3639	Snap Ring, securing Retainer (J.20-323)	35-17	1	

AUTOMATIC TRANSMISSION UNIT

FITTED FROM CHASSIS NO. 1B.1001 TO 1B.8444 } 3-4 LITRE 1B.50001 TO 1B.59528 } 3-8 LITRE
 1B.25001 TO 1B.26240 }

Part No.	Description	Plate No.	No. per Unit	Remarks
5706	REAR RING GEAR ASSEMBLY (J.20-3262)	35-18	1	
3689	'O' Ring, 1 1/8" x 1 3/8" x 1/8", inside Ring Gear (J.20-401)	35-19	1	
3642	Piston Ring, 2 3/8" x 7/64", at rear of Ring Gear (J.20-329/A)	35-20	1	
3690	'O' Ring, 1 1/8" x 1 3/4" x 1/16", at rear of Ring Gear (J.20-402)	35-21	1	
3656	Snap Ring, on Splines of Rear Ring Gear (J.30-352)	35-22	1	
5710	REAR SUN GEAR ASSEMBLY (J.20-3693)	35-23	1	
3670	Retainer, for Rear Sun Gear (J.20-381)	35-24	1	
3669	Thrust Washer, for Rear Sun Gear (J.20-380)	35-25	1	
5707	FRONT SUN GEAR AND LOCK-UP DRUM ASSEMBLY (J.20-3302)	35-26	1	
3648	Piston Seal, 3" diameter (J.20-342)	35-27	1	
3696	Ring, for first Clutch Piston (J.20-414)	35-28	1	
3700	Piston, complete with Ring, for first Clutch Piston (J.20-424)	35-29	1	
3685	Plate Assembly, for first Clutch Retractor (J.20-396)	35-30	1	
6683	Plate, between Friction Discs (J.20-3461)	35-31	4	
9371	Friction Disc, for first Clutch (J.20-3473)	35-32	3	
3653	Retractor Spring, operating Friction Discs (J.20-348)	35-33	12	
7364	Retainer Assembly, for first Clutch Plate (J.20-349/B)	35-34	1	
6764	Snap Ring, securing Clutch Plates in Lock-up Drum (J.20-3501)	35-35	1	
5415	Thrust Washer, for Front Sun Gear (J.20-351/A)	35-36	1	
5708	FRONT PLANETARY CARRIER ASSEMBLY (J.20-3532)		1	
6853	Planetary Carrier only (less Brake Drum) (J.20-3561)	35-37	1	
6619	Reverse Brake Drum (J.20-360/A)	35-38	1	
3692	Snap Ring, retaining Reverse Brake Drum (J.20-409)	35-39	1	
3660	Thrust Washer, for Front Planetary Carrier (J.20-362)	35-40	1	
5709	FRONT RING GEAR ASSEMBLY (J.20-3632)	35-41	1	
3691	Piston Ring, 1 1/8" x 7/64", for Front Ring Gear (J.20-406)	35-42	3	

15 required from Chassis No.
 1B.3030 to 1B.8444 } 3-4 litre
 1B.25435 to 1B.26240 }
 1B.53220 to 1B.59528 } 3-8 litre
 1B.77228 to 1B.80287 }

AUTOMATIC TRANSMISSION UNIT

FITTED FROM CHASSIS NO. 1B.1001 TO 1B.8444 } 3-4 LITRE 1B.50001 TO 1B.59528 } 3-8 LITRE
 1B.25001 TO 1B.26240 } 1B.75001 TO 1B.80287 }

Part No.	Description	Plate No.	No. per Unit	Remarks
9372	FREE WHEEL UNIT AND LOCK-UP BRAKE DRUM PLATE ASSEMBLY FOR REVERSE GEAR (J.20-3952)		1	
5438	Free Wheel Unit, Short (J.20-398/D)	35-43	1	
9373	Lock-Up Plate Assembly (J.20-3671)	35-44	1	
3665	Roller, positioning Brake Drum Plate in Centre Lock-up Drum (J.20-373)	35-45	2	
3654	Snap Ring, securing Brake Drum Plate in Centre Lock-up Drum (J.20-350)	35-46	1	
5436	FREE WHEEL UNIT AND FORWARD BRAKE DRUM ASSEMBLY FOR FORWARD GEARS (J.20-3942)		1	
7530	Free Wheel Unit, Medium (J.20-3891)	35-47	1	
5433	Forward Brake Drum (J.20-378/B)	35-48	1	
3667	Snap Ring, internal, securing Free Wheel Unit (J.20-376)	35-49	1	
5711	Spacer, behind Medium Free Wheel Unit (J.20-3751)	35-50	1	
3694	Drive Pin, securing Spacer (J.20-411)	35-51	1	
3667	Snap Ring, securing Spacer (J.20-376)	35-52	1	
3672	Bearing, on Mainshaft, behind Free Wheel Unit (J.20-383)	35-53	1	
3673	Snap Ring, on Mainshaft Bearing (J.20-384)	35-54	1	
3671	Spacer, behind Mainshaft Bearing (J.20-382)	35-55	1	
3693	Gear, on Mainshaft, for Parking Brake (J.20-410)	35-56	1	
3674	Spacer, between Parking Gear and Bearing (J.20-385)	35-57	1	
3675	Gear, on Mainshaft, for Governor Drive (J.20-386)	35-58	1	
3676	Spacer, behind Governor Drive Gear (J.20-387)	35-59	1	
C.6867	UNIVERSAL JOINT COMPANION FLANGE (J.20-093/A)	35-60	1	
5439	Washer, for Flange (J.20-399/A)	35-61	1	
5926	Nut, Self-Locking, securing Companion Flange (JGM.272672)	35-62	1	
7366	VALVE BLOCK ASSEMBLY, COMPLETE (J.20-54057)		1	Fitted from Chassis No. 1B.1001 to 1B.3029 } 3-4 litre 1B.25001 to 1B.25434 } 1B.50001 to 1B.53219 } 3-8 litre 1B.75001 to 1B.77227 }
6686	Manifold Plate Assembly (J.20-5412)		1	
6687	Base Plate Assembly (J.20-5461)	36-1	1	
6565	Gasket, between Base Plate and Manifold Plate (J.20-548/A)	36-2	1	
6870	Relief Valve Body Assembly (J.20-612/A)		1	
6564	Gasket, under Relief Valve Body (J.20-551/A)	36-3	1	
5915	Ball, 3/8" diameter, for Relief Valve (JGM.147500)	36-4	2	
7368	Body Assembly, for Converter Valve (J.20-5602)		1	
7373	Gasket, for Converter Valve Body (J.20-5732)	36-5	1	
6851	Bolt, 1/4" x 2 3/8", for assembly of Valve Block (J.20-1104)		8	
8424	Lockwasher, on Bolts (J.20-5942)		8	
10269	VALVE BLOCK ASSEMBLY, COMPLETE (J.20-54023)		1	Fitted from Chassis No. 1B.3030 to 1B.8444 } 3-4 litre 1B.25435 to 1B.26240 } 1B.53220 to 1B.59528 } 3-8 litre 1B.77228 to 1B.80287 }
10270	Body Assembly, for Converter Valve (J.20-56013) All other items are as for Valve Block Assembly 7366		1	

AUTOMATIC TRANSMISSION UNIT

FITTED FROM CHASSIS NO. 1B.1001 TO 1B.8444 } 3-4 LITRE
 1B.25001 TO 1B.26240 }
 1B.50001 TO 1B.59528 } 3-8 LITRE
 1B.75001 TO 1B.80287 }

Part No.	Description	Plate No.	No. per Unit	Remarks
VALVE BLOCK ASSEMBLY (Cont'd)				
6757	Bolt, $\frac{5}{16}$ " x $1\frac{1}{8}$ ", securing Valve Block to Transmission Case (JGM.106326)		7	
8423	Lockwasher, $\frac{5}{16}$ " external, on Bolts (J.20-5941)		7	
MANIFOLD PLATE ASSEMBLY (J.20-5412)				
6686		36-6	1	
3721	Spring, Selector Valve Detent (J.20-544)	36-7	1	
5914	Ball, $\frac{1}{4}$ " diameter, for Selector Valve (JGM.147485)	36-8	1	
RELIEF VALVE BODY ASSEMBLY (J.20-612/A)				
6870		36-9	1	
6680	Retainer, for Anti-Bump Valve Plug (J.20-570/A)	36-10	1	
6868	Stop, for Main Relief Valve (J.20-567/A)	36-11	1	
6771	Spring, for Main Relief Valve (J.20-566/A)		1	
9376	Spring, for Accumulator Piston (J.20-666)		1	
6682	Retainer, for Accumulator Spring (J.20-667)	36-12	1	
6997	Spring, for Reverse Interlock Valve (J.20-619)		1	
3732	Retainer, for Reverse Interlock Spring (J.20-570)	36-13	1	
CONVERTER VALVE BODY ASSEMBLY (J.20-5602)				
7368		36-14	1	Fitted from Chassis No. 1B.1001 to 1B.3029 } 3-4 litre 1B.25001 to 1B.25434 } 1B.50001 to 1B.53219 } 3-8 litre 1B.75001 to 1B.77227 }
7369	Body only, for Converter Valve (J.20-5612)		1	
6754	Converter Shuttle Valve, Direct (J.20-6381)	36-15	1	
6779	Converter Shuttle Valve, Reverse (J.20-6414)	36-16	1	
6999	Sleeve, for Converter Shuttle Valve (J.20-6431)	36-17	1	
6681	Retainer, for Shuttle Valve Sleeve (J.20-617/A)	36-18	1	
CONVERTER VALVE BODY ASSEMBLY (J.20-56013)				
10270			1	Fitted from Chassis No. 1B.3030 to 1B.8444 } 3-4 litre 1B.25435 to 1B.26240 } 1B.53220 to 1B.59528 } 3-8 litre 1B.77228 to 1B.80287 }
10271	Converter Shuttle Valve, Reverse (J.20-6413)		1	
All other items as for Converter Valve Body Assembly 7368				
OIL FILTER ASSEMBLY (J.20-5571)				
6688		36-19	1	
6873	Retainer, for Oil Filter (J.20-558/B)	36-20	1	
6759	Screw, securing Retainer (JGM.113954)		1	
9400	Lockwasher, on Screw (JGM.114604)		1	
OIL SUMP (J.20-5781)				
8378		36-21	1	
3737	Plug, in Oil Sump Drain Hole (J.20-580)	36-22	1	
3741	Washer, on Plug (J.20-592)	36-23	1	
3736	Gasket, between Oil Sump and Transmission Case (J.20-579)	36-24	1	
8973	Bolt, $\frac{3}{16}$ " x $\frac{3}{8}$ ", securing Oil Sump to Transmission Case (JGM.106324)		14	
5908	Lockwasher, on Bolts (JGM.103320)		14	

AUTOMATIC TRANSMISSION UNIT

FITTED FROM CHASSIS NO. 1B.1001 TO 1B.8444 } 3-4 LITRE 1B.50001 TO 1B.59528 } 3-8 LITRE
 1B.25001 TO 1B.26240 } 1B.75001 TO 1B.80287 }

Part No.	Description	Plate No.	No. per Unit	Remarks
9377	EXTENSION CASE ASSEMBLY, COMPLETE (J.20-70112)		1	
7371	Extension Case Assembly (J.20-7049)	37-1	1	
3625	'O' Ring, on Bush for Governor Adjusting Shaft (J.20-120)	37-2	1	
5469	Pawl, Second Speed Drive (J.20-719/A)	37-3	1	
3764	Washer, for Control Link and Pawl (J.20-720)	37-4	2	
3765	Rocker Arm, for Governor Control (J.20-721)	37-5	1	
3767	Washer, behind Rocker Arm (J.20-723)		1	
5688	Stop, for Governor (J.20-722/A)	37-6	1	
3768	Distance Piece, behind Stop Plate (J.20-724)		1	
3769	Spring, operating Governor Control Rocker Arm (J.20-725)	37-7	1	
3808	Shaft and Lever Assembly, for Governor Adjustment (J.20-836)	37-8	1	
3770	Lever, Governor Adjusting (J.20-728)	37-9	1	
3772	Finger, for Governor Adjusting Lever (J.20-7361)	37-10	2	
3771	Return Spring, for Governor Adjusting Lever (J.20-735)	37-11	1	
7339	Valve and Fork Assembly, for Governor Control (J.20-7902)	37-12	1	
3774	Detent Piston, for Governor Control Valve (J.20-744)	37-13	1	
8428	Screw, 1/4" x 3/8", securing Retaining Plate for Governor Fork (JGM.114354)		1	
8426	Lockwasher, on Screw (JGM.103319)		1	
3796	Plunger, in Extension, operating Accelerator Detent (J.20-791)	37-14	1	
3797	Spring, tensioning Plunger (J.20-792)	37-15	1	
3798	Gasket, between Extension and Transmission Case (J.20-793)	37-16	1	
3762	Oil Seal, at end of Extension Case (J.20-716)	37-17	1	
5701	Bolt, 3/8" x 3", securing Extension Case (J.20-1101)		1	
5700	Bolt, 3/8" x 2 1/4", securing Extension Case (J.20-1100)		1	
8435	Bolt, 3/8" x 1", securing Extension Case (JGM.179839)		4	
8427	Lockwasher, on Bolts (JGM.103321)		6	
6761	Plug, in rear of Extension Case for Pressure Test on Multiple Disc Clutch (JGM.444571)		1	
5715	DETENT CAM, CONTROL LINK AND PLUNGER ASSEMBLY, OPERATING KICK-DOWN CONTROL (J.20-8301)	37-18	1	
6758	Key, "Woodruff", 1/2" diameter x 1/8", positioning Control Shaft to Detent Cam (JGM.106958)	37-19	1	
6889	Screw, Set (Allen Head) No. 10 x 3/8", preventing withdrawal of Shaft from Cam (JGM.140879)	37-20	1	
3771	Return Spring, for Detent Cam (J.20-735)	37-11	1	
3793	Screw, Set, 1/4" x 1 1/2", for Kick-Down Adjustment (J.20-787)	37-21	1	
6752	Washer (Copper) on Setscrew (JGM.446195)	37-22	1	
3794	Nut, Stop, for Setscrew (J.20-788)	37-23	1	
5954	Nut, Dome, for Setscrew (JGM.441263)	37-24	1	
3787	GOVERNOR ASSEMBLY (J.20-775)	37-25	1	
3788	Bearing, on Governor Shaft (J.20-778)		1	
3782	Washer (Fibre) on Governor Shaft (J.20-767)		1	
3789	Snap Ring, retaining Bearing and Washer on Shaft (J.20-779)		2	
3785	Shaft, carrying Governor Assembly (J.20-773/A)	37-26	1	
5714	Return Spring, on Governor Shaft (J.20-7843)	37-27	1	

AUTOMATIC TRANSMISSION UNIT

FITTED FROM CHASSIS NO. 1B.1001 TO 1B.8444 } 3-4 LITRE 1B.50001 TO 1B.59528 } 3-8 LITRE
 1B.25001 TO 1B.26240 }

Part No.	Description	Plate No.	No. per Unit	Remarks
3799	PAWL AND TOGGLE ASSEMBLY OPERATING PARKING DEVICE (J.20-800)	37-28	1	
7536	Pivot Pin, for Pawl (J.20-8081)	37-29	1	
7536	Shaft, supporting Parking Brake (J.20-8051)	37-30	1	
3802	Ring, retaining Shaft in Extension (J.20-807)	37-31	1	
3805	INTERLOCK PISTON ASSEMBLY FOR PARKING BRAKE (J.20-810)	37-32	1	
3806	Spring, for Parking Brake Interlock Piston (J.20-813)	37-33	1	
3783	HOUSING FOR SPEEDMETER DRIVE GEAR (J.20-770)	37-34	1	
3786	Gasket, between Housing and Extension (J.20-774)	37-35	1	
3792	Cover, for Housing (J.20-786)	37-36	1	
3791	Gasket, between Housing and Cover (J.20-785)	37-37	1	
C.11915	Stop Plate, restricting Reverse Gear Operating Lever	37-38	1	
8433	Bolt, 5/16" x 2", securing Housing and Stop Plate (JGM.179826)		2	
5908	Lockwasher, on Bolts (JGM.103320)		2	
3784	SPEEDOMETER DRIVE GEAR (J.20-772/A)	37-39	1	
8852	REAR PUMP ASSEMBLY (J.20-7508)		1	
8382	Body only, for Rear Pump (J.20-7514)	37-40	1	
5690	Driving Gear and Shaft Assembly (J.20-755)	37-41	1	
5691	Idler Gear Assembly (J.20-758)	37-42	1	
8383	Cover, for Rear Pump (J.20-7624)	37-43	1	
8854	Gasket (.002" thick) under Cover (Red or Clear) (J.20-7611)	37-44	1	
8855	Gasket (.003" thick) under Cover (Clear) (J.20-7611/A)	37-44	1	} SELECTIVE RANGE FOR CLEARANCE BETWEEN COVER AND GEARS
8856	Gasket (.005" thick) under Cover (Blue or Black) (J.20-7611/B)	37-44	1	
8857	Gasket (.006" thick) under Cover (Manilla) (J.20-7611/C)	37-44	1	
8858	Gasket (.008" thick) under Cover (Manilla) (J.20-7611/D)	37-44	1	
8422	Bolt, 1/4" x 7/8", securing Cover to Pump Body (J.20-1108)		2	
8426	Lockwasher, on Bolts (JGM.103319)		2	
5693	Governor Driven Gear (J.20-765)	37-45	1	
6756	Pin, securing Governor Driven Gear (JGM.103723)	37-46	1	
8853	Gasket, between Rear Pump and Extension (J.20-7664)	37-47	1	
8318	Bolt, 5/16" x 2 1/4", securing Rear Pump to Extension (JGM.179827)		2	
8425	Bolt, 5/16" x 2 1/8", securing Rear Pump to Extension (J.20-93722)		1	
5908	Lockwasher, on Bolts (JGM.103320)		3	
7341	Plug, in Rear Pump Cover (JGM.444732)		1	
UFB.125/8R	Bolt, securing Cover to Rear Pump		2	

AUTOMATIC TRANSMISSION UNIT

FITTED FROM CHASSIS NO. 1B.1001 TO 1B.8444 } 3-4 LITRE 1B.50001 TO 1B.59528 } 3-8 LITRE
 1B.25001 TO 1B.26240 } 1B.75001 TO 1B.80287 }

Part No.	Description	Plate No.	No. per Unit	Remarks
C.6942/1	SPEEDOMETER DRIVEN GEAR (J.20-901)	37-48	1	
C.17678	GUIDE TUBE AND BELLOWS ASSEMBLY FOR INTERMEDIATE SPEED HOLD	37-49	1	
C.12635	Connecting Pin, for Guide Tube	37-50	1	
AG.102/X	Washer, Spring, behind Connecting Pin	37-51	1	
C.17681	PLUNGER ROD FOR SOLENOID	37-52	1	
C.12634	Copper Washer, between Plunger Rod and Guide Tube	37-53	1	
C.12638	SPRING ON PLUNGER ROD	37-54	1	
C.17680	Seating Washer, for Spring (J.20-93725)	37-55	1	
C.12642	BRACKET MOUNTING SOLENOID FOR INTERMEDIATE SPEED HOLD	37-56	1	
C.17710	'O' Ring, in Solenoid Mounting Bracket	37-57	1	
C.17673	SOLENOID FOR INTERMEDIATE SPEED HOLD (76533/A)	37-58	1	
UFS.319/3H	Screw, Set, securing Solenoid		2	
C.12649	Washer, Spring, on Setscrews		2	
UFN.225/L	Locknut, for adjustment of Solenoid Plunger	37-59	1	
UCB.131/20R	Bolt, fixing Solenoid Mounting Bracket and Rear Pump Cover		1	
6767	COMPLETE KIT OF SEALS FOR USE WHEN OVERHAULING TRANSMISSION UNIT		1	
7476	GASKET SET FOR USE WHEN OVERHAULING TRANSMISSION UNIT		1	

AUTOMATIC TRANSMISSION UNIT

FITTED FROM CHASSIS NO. 1B.1001 TO 1B.8444

1B.25001 TO 1B.26240

} 3-4 LITRE

1B.50001 TO 1B.59528

1B.75001 TO 1B.80287

} 3-8 LITRE

Part No.	Description	Plate No.	No. per Unit	Remarks
9363	REPAIR KIT FOR MULTI-DISC CLUTCH (J.20-0985)		1	
	Consisting of:-			
6683	Clutch Plate (J.20-3461)		4	
9371	Friction Disc (J.20-3473)		3	
3653	Retractor Spring (J.20-348)		12	
6764	Snap Ring (J.20-3501)		1	
3648	Piston Seal (J.20-342)		1	
8783	THRUST WASHER KIT (J.20-099)		1	
	Consisting of:-			
3637	Thrust Washer		1	
3677	Thrust Washer		1	
3678	Thrust Washer		1	
3679	Thrust Washer		1	
3680	Thrust Washer		1	
3640	Thrust Washer		1	
3669	Thrust Washer		1	
5415	Thrust Washer		1	
3660	Thrust Washer		1	

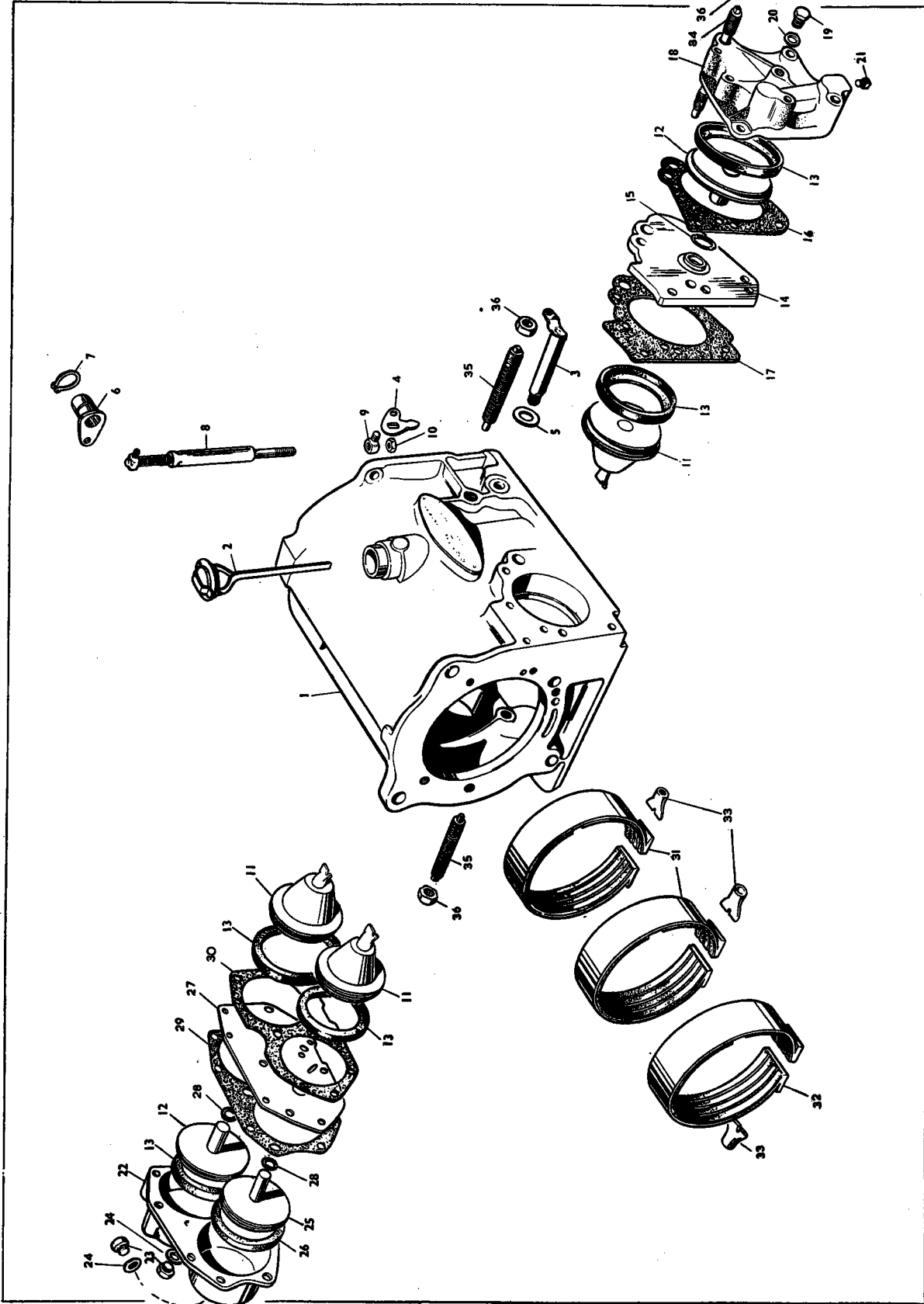


PLATE 34

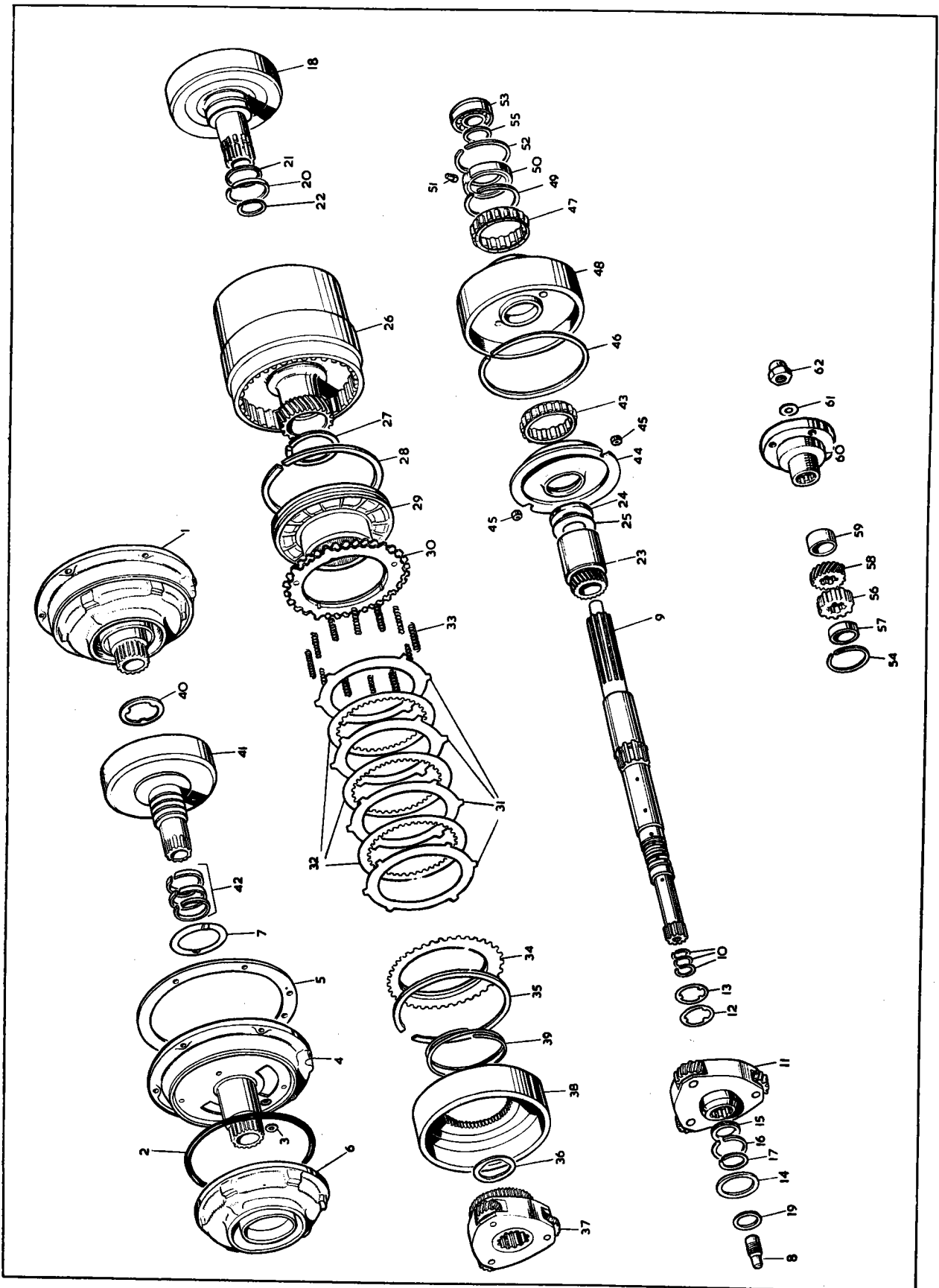


PLATE 35

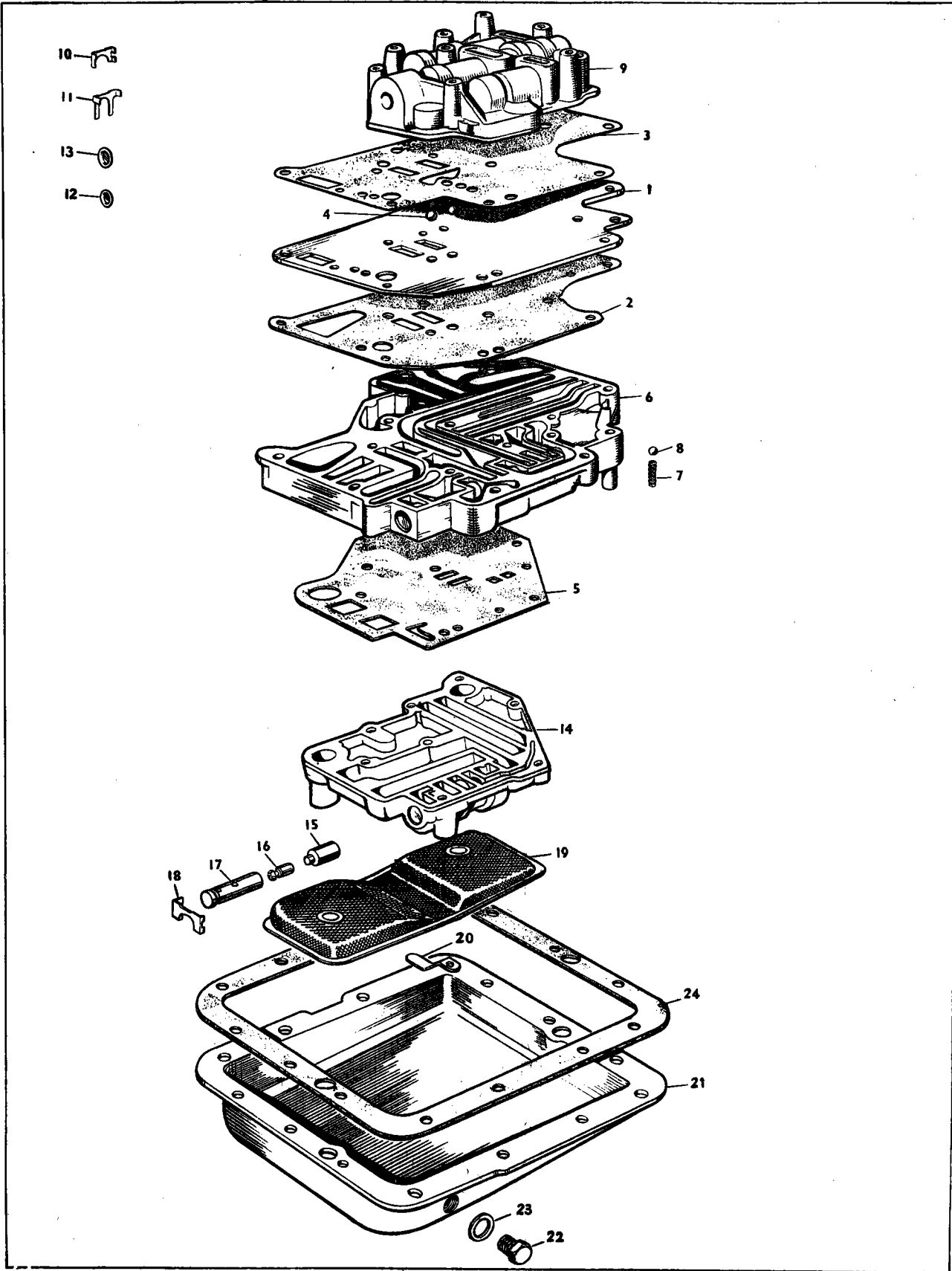


PLATE 36

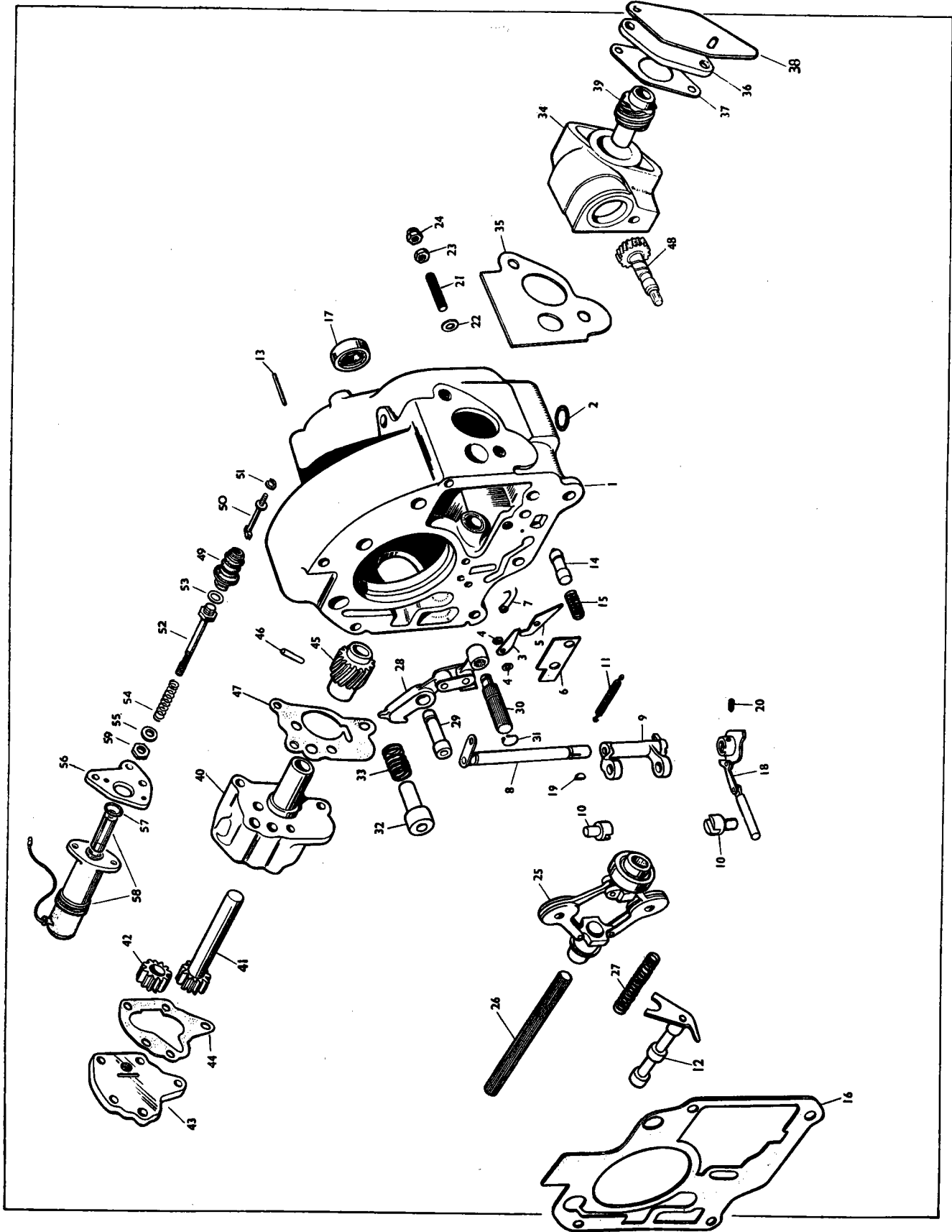


PLATE 37

AUTOMATIC TRANSMISSION UNIT

FITTED TO CHASSIS NO. 1B.8445 AND SUBS. } 3.4 LITRE 1B.59529 AND SUBS. } 3.8 LITRE
 1B.26241 AND SUBS. }

Part No.	Description	Plate No.	No. per Unit	Remarks
C.26840	TRANSMISSION UNIT ASSEMBLY, COMPLETE WITH CONVERTER (AS1-35FG) (35FG-509)		1	
C.26841	Converter Assembly only (35FG-1A368A)	38-1	1	
C.26838	Converter Housing (35FG-1½)		1	
C.26382	Stoneguard, over apertures in Converter Housing (35EA-393A)		2	
C.26383	Screw, Self-Tapping, securing Stoneguards (EA.4626M)		4	
C.21055	Screw and Lockwasher, securing Converter Housing to Transmission Case (443609)		6	
11476	TRANSMISSION CASE ASSEMBLY (35FC-513)	38-2	1	
9769	Oil Seal, for Manual Control Shaft (35EA-108)	38-3	1	
9869	Plug, for Pressure Take-off Point (444688)	38-4	1	
C.21010	Union, for Oil Outlet and Return Pipes (35EA-293)	38-5	2	
C.26839	Kick-Down Cable Assembly (35FG-A284)	38-6	1	
11477	Washer (Copper) at fixing of Outer Cable to Transmission Case (EA5022A)		1	
11399	Screw, for Rear Servo Adjustment (4626Z)	38-7	1	
11400	Nut, locking Adjusting Screw (4775R)	38-8	1	
C.21007	Adaptor, for Dipstick Tube (35EA-385A)	38-9	1	
C.21008	Switch, for Starter Cut-Out and Reverse Lamp (35EA-A286C)	38-10	1	
11478	Manual Control Shaft, carrying Detent Lever (35FC-81A)	38-11	1	
11479	Pin, retaining Manual Control Shaft in Case (FG.5071)	38-12	1	
11480	Plug, sealing Retaining Pin Aperture (EA.5041)	38-13	1	
11431	Lever, on Shaft, for Manual Valve Detent (35EA-A78D)	38-14	1	Fitted from Transmission Serial No. FG.1001 to FG.2318
11786	Lever, on Shaft, for Manual Valve Detent (35EA-A78F)		1	Fitted to Transmission Serial No. FG.2319 and subs.
11481	Pin, retaining Lever on Shaft (EA.5071)	38-15	1	
11482	Circlip, retaining Lever on Shaft (FC.5037)	38-16	1	
9874	Ball, positioning Detent Lever (453593)	38-17	1	
11483	Spring, behind Ball (35EA-83A)	38-18	1	
9775	Link, connecting Detent Lever to Torsion Lever (35EA-266A)	38-19	1	
9875	Clip, retaining Link (4857A)		2	Fitted from Transmission Serial No. FG.1001 to FG.2318
9876	Torsion Lever, for Parking Brake Linkage (3-261)	38-20	1	
11787	Link, connecting Detent Lever to Torsion Lever (35EA-266C)		1	Fitted to Transmission Serial No. FG.2319 and subs.
11788	Torsion Lever, for Parking Brake Linkage (35EA-261)		1	
9877	Spring, providing tension between Torsion Lever and Forked Lever (3-264A)	38-21	1	
9878	Forked Lever, engaging Ball Pin in Toggle Lever (3-A262)	38-22	1	
9879	Clip, retaining Torsion Lever, Forked Lever, and Spring (4743A)	38-23	1	
9890	Washer, Plain, under Clip (3-321)	38-24	1	
9880	Toggle Lever, for Parking Brake Pawl (3-272)	38-25	1	
9881	Toggle Pin (Shouldered) securing Toggle Lever (35-276)	38-26	1	
9882	'O' Ring, sealing Toggle Pin (4804P)	38-27	1	
9883	Roll Pin, retaining Toggle Pin in Case (EA.5004A)	38-28	1	
10577	Ball Pin, securing Link to Toggle Lever (35EA-274)	38-29	1	
10578	Spring, on Ball Pin, tensioning Parking Brake Pawl (8-271)	38-30	1	
9888	Link, connecting Toggle to Parking Brake Pawl (3-273)	38-31	1	
9776	Pawl, for Parking Brake (35-268)	38-32	1	
9777	Pivot Pin, for Parking Brake Pawl (35-269)	38-33	1	
9889	Pin, securing Pawl to Link (3-275)	38-34	1	

AUTOMATIC TRANSMISSION UNIT

FITTED TO CHASSIS NO. 1B.8445 AND SUBS. } 3.4 LITRE 1B.59529 AND SUBS. }
 1B.26241 AND SUBS. } 1B.80288 AND SUBS. } 3.8 LITRE

Part No.	Description	Plate No.	No. per Unit	Remarks
C.23188	SELECTOR LEVER ASSEMBLY ON TRANSMISSION UNIT		1	
C.8737/2	Nut, Self-Locking, securing Selector Lever to Manual Control Shaft		1	
FW.105/T	Washer, Plain, under Nut		1	
11495	FRONT SERVO ASSEMBLY (35-1A120A)		1	
11496	Body, for Front Servo (35-120A)	38-35	1	
11497	Lever, operating Front Servo Strut (35-127A)	38-36	1	
11498	Pivot Pin, for Operating Lever (35-118B)	38-37	1	
9903	Screw, adjusting Front Servo (4626W)	38-38	1	
9904	Nut, locking Adjusting Screw (114503)	38-39	1	
11499	Return Spring, for Front Servo Piston (35EA-125A)	38-40	1	
11500	Piston Assembly, for Front Servo (35FG-515)	38-41	1	
11501	'O' Ring (Small) on Piston (4804V)	38-42	1	
11502	'O' Ring (Large) on Piston (4804T)	38-43	1	
N.S.S.	Piston Sleeve, for Front Servo	38-44	1	} NOT SUPPLIED SEPARATELY. USE SERVICE KIT 12054
N.S.S.	Sealing Ring, for Piston Sleeve	38-44	1	
10644	Snap Ring, retaining Piston and Sleeve in Body (4749)	38-45	1	
9825	Bolt (1 3/8") and Spring Lockwasher, securing Servo to Transmission Case (EA.4626F)		1	
9892	Bolt (1") and Spring Lockwasher, securing Servo to Transmission Case (431922)		1	
11510	REAR SERVO ASSEMBLY (35EA-1A130A)		1	
11511	Body, for Rear Servo (35EA-130A)	38-46	1	
9832	Lever, operating Rear Servo Strut (35EA-137B)	38-47	1	
11512	Pivot Pin, for Operating Lever (35-118A)	38-48	1	
11513	Piston, for Rear Servo (35-131A)	38-49	1	
9911	'O' Ring, on Piston (4804U)	38-50	1	
11514	Return Spring, for Rear Servo Piston (35-135A)	38-51	1	
9913	Screw, securing Rear Servo to Transmission Case (4626V)		1	
9914	Lockwasher, on Screw (103321)		1	
11515	Bolt and Spring Lockwasher, securing Rear Servo to Transmission Case (EA-5023B)		1	
10439	Magnet, on Rear Servo Fixing Bolt (8-199)		1	
11484	EXTENSION CASE ASSEMBLY (35FG-1A7)	38-52	1	
9891	Oil Seal, at rear end of Extension Case (R39-110)	38-53	1	
11485	Gasket, between Extension Case and Transmission Case (35EB-146)	38-54	1	
11486	Screw (Socket Head) securing Extension Case to Transmission Case (4911E)		4	
11487	Lockwasher, on Screws (4801C)		4	

AUTOMATIC TRANSMISSION UNIT

FITTED TO CHASSIS NO. 1B.8445 AND SUBS. } 3.4 LITRE 1B.59529 AND SUBS. } 3.8 LITRE
 1B.26241 AND SUBS. }

Part No.	Description	Plate No.	No. per Unit	Remarks
C.21296	SPEEDOMETER DRIVEN GEAR	38-55	1	
C.21297	Bearing, for Speedometer Driven Gear		1	
C.12377/1	Oil Seal, at bottom of Bearing		1	
C.21058	'O' Ring, around Speedometer Driven Gear Bearing	38-56	1	
C.21073	Plate, retaining Driven Gear in Extension Case	38-57	1	
UCS.125/4R	Screw, Set, securing Plate		2	
FG.104/X	Washer, Spring, on Setscrews		2	
9783	FRONT PUMP ASSEMBLY (35EA-1A60B)	38-58	1	
10427	Oil Seal, for Front Pump (35EA-62A)		1	
9785	'O' Ring, for Front Pump (EA.4804D)		1	
9893	Screw and Lockwasher, for Assembly of Front Pump (443609)		5	
9894	Screw and Lockwasher, for Assembly of Front Pump (190601)		1	
9787	Gasket, between Front Pump and Transmission Case (35-61)	38-59	1	
9893	Screw and Lockwasher, securing Front Pump Assembly to Transmission Case (443609)		6	
9788	Thrust Washer, between Front Pump and Input Shaft (35-15B)	38-60	1	} SELECTIVE SIZES
9789	Thrust Washer, between Front Pump and Input Shaft (35-15C)		1	
9855	OIL TUBE FROM FRONT PUMP TO OUTLET CONNECTION ON TRANSMISSION CASE (35EA-297)	38-61	1	
11491	FRONT CLUTCH ASSEMBLY (35FC-1A70)		1	
9791	Piston Assembly, for Front Clutch (35EA-A35)	38-62	1	
9792	Cylinder, for Front Clutch (35FC-70)	38-63	1	
9793	'O' Ring, Inner, for Piston (EA.4804E)	38-64	1	
9896	Sealing Ring, Outer, for Piston (4805C)	38-65	1	
9794	Split Ring, seating Front Clutch Spring (35-33)	38-66	1	
9795	Spring, for Front Clutch (35-37)	38-67	1	
9897	Snap Ring, retaining Front Clutch Spring (4763D)	38-68	1	
N.S.S.	Pressure Plate, for Front Clutch (35EP-175)	38-69	1	} NOT SUPPLIED SEPARATELY. USE SERVICE KIT 11543 SEE PAGE 169
N.S.S.	Clutch Plate (Drive) for Front Clutch (35-65)	38-70	4	
N.S.S.	Clutch Plate (Friction) for Front Clutch (35-A166)	38-71	5	
9799	Hub, carrying Front Clutch Plates (35-40)	38-72	1	
9800	Thrust Washer, between Hub and Input Shaft (35-17)	38-73	1	
11492	Input Shaft (40-A16)	38-74	1	
9897	Snap Ring, retaining Input Shaft in Front Clutch Cylinder (4763D)	38-75	1	

AUTOMATIC TRANSMISSION UNIT

FITTED TO CHASSIS NO. 1B.8445 AND SUBS. } 3-4 LITRE 1B.59529 AND SUBS. } 3-8 LITRE
 1B.26241 AND SUBS. } 1B.80288 AND SUBS. }

Part No.	Description	Plate No.	No. per Unit	Remarks
11506	PLANETARY GEARS AND REAR DRUM ASSEMBLY (35A-5A150)	38-100	1	
9827	Outer Race Assembly, for One-Way Clutch (35-A148)	38-101	1	
9897	Snap Ring, retaining Outer Race (4763D)	38-102	1	
11507	Thrust Bearing (Needle) between Sun Gear and Planet Gear Cover (4830H)	38-103	1	
11508	Plate, for Thrust Bearing (35-20B)	38-104	1	
9829	ONE-WAY CLUTCH ASSEMBLY IN REAR DRUM (35-A275)	38-105	1	
11509	BRAKE BAND ASSEMBLY FOR REAR DRUM (35-6A155)	38-106	1	
9813	Strut (Servo) operating Brake Band (35-156C)	38-107	1	
11516	RING GEAR, DRIVING MAINSHAFT (40-6)	38-108	1	
11517	MAINSHAFT ASSEMBLY (35FG-1A2)	38-109	1	
9916	Snap Ring, retaining Mainshaft in Ring Gear (4763A)	38-110	1	
11518	Thrust Bearing (Needle) between Planet Gear Cover and Mainshaft (4830F)	38-111	1	
9838	Plate, for Thrust Bearing (35-20A)	38-112	1	
9839	Thrust Washer, between Mainshaft and Transmission Case (35EA-159A)	38-113	1	
9920	Sealing Ring, on Mainshaft, for Rear Pump Assembly (4806N)	38-114	3	
9840	REAR PUMP ASSEMBLY (35EA-507)	38-115	1	
9921	Key, on Mainshaft, driving Rear Pump (4897)	38-116	1	
9841	Retaining Plate, for Rear Pump Gears (35EA-162)	38-117	1	
9842	Bolt and Lockwasher, securing Rear Pump Assembly to Transmission Case (EA.4626K)		5	

AUTOMATIC TRANSMISSION UNIT

FITTED TO CHASSIS NO. **1B.8445 AND SUBS.** } 3.4 LITRE **1B.59529 AND SUBS.** }
 1B.26241 AND SUBS. } **1B.80288 AND SUBS.** } 3.8 LITRE

Part No.	Description	Plate No.	No. per Unit	Remarks
11519	GOVERNOR ASSEMBLY, COMPLETE (35EA-A95)		1	
11520	Governor Assembly only (35EA-510)	38-118	1	
9922	Ball, locating Governor Assembly on Mainshaft (147485)	38-119	1	
9901	Snap Ring, retaining Governor Assembly on Mainshaft (4653E)	38-120	1	
11520	GOVERNOR ASSEMBLY ONLY (35EA-510)		1	
11521	Governor Spring (35EA-99A)		1	
11206	Retainer, for Governor Spring (35EA-98)		1	
10704	Screw, securing Governor Cover Plate (X2380BL)		2	
11522	Screw and Lockwasher, securing Governor Assembly to Sleeve (EA.4626A)		2	
C.21294	DRIVE GEAR FOR SPEEDOMETER (35EG-169)	38-121	1	
9780	FLANGE COUPLING TRANSMISSION UNIT TO PROPELLER SHAFT (35EG-298)	38-122	1	
11488	Screw, securing Flange to Mainshaft (EU.5047)	38-123	1	
11489	Washer, on Screw (EU.5003)	38-124	1	
11523	VALVE BODIES ASSEMBLY (35FG-1A200)	39-1	1	
11524	Spring, for Primary Regulator Valve (35EA-247)	39-2	1	
11525	Spring, for Secondary Regulator Valve (35-246)	39-3	1	
11526	Spring, for Throttle Valve (35-208)	39-4	1	
11527	Return Spring, for Throttle Valve (35-238)	39-5	1	
11778	Stop Plate, for Throttle Valve (35EA-309)	39-6	1	
11779	Stop, for Throttle Valve (35EA-249)	39-7	1	
10949	Spring, for Servo Orifice Control Valve (5-113)	39-8	1	
11528	Spring, for Modulator Valve (35-212A)	39-9	1	
11324	Check Valve, for Front Pump (35EA-129A)	39-10	1	
11529	Check Valve, for Rear Pump (35-229)	39-11	1	
11530	Spring, for Rear Pump Check Valve (3-252)	39-12	1	
9922	Ball, Converter Check Valve (147485)	39-13	1	
10949	Spring, for Converter Check Valve (5-113)	39-14	1	
11531	Spring, for 1-2 Shift Valve (35EA-256A)	39-15	1	
11532	Spring, for 2-3 Shift Valve (35EA-223)	39-16	1	
11149	Cam Assembly, operating Downshift Valve (35EB-A283)	39-17	1	
11785	Screw, securing Cam Assembly to Valve Body (EA.5088E)	39-18	2	
9844	Oil Filter, on Valve Body, for Front Pump (35EA-A190)	39-19	1	

AUTOMATIC TRANSMISSION UNIT

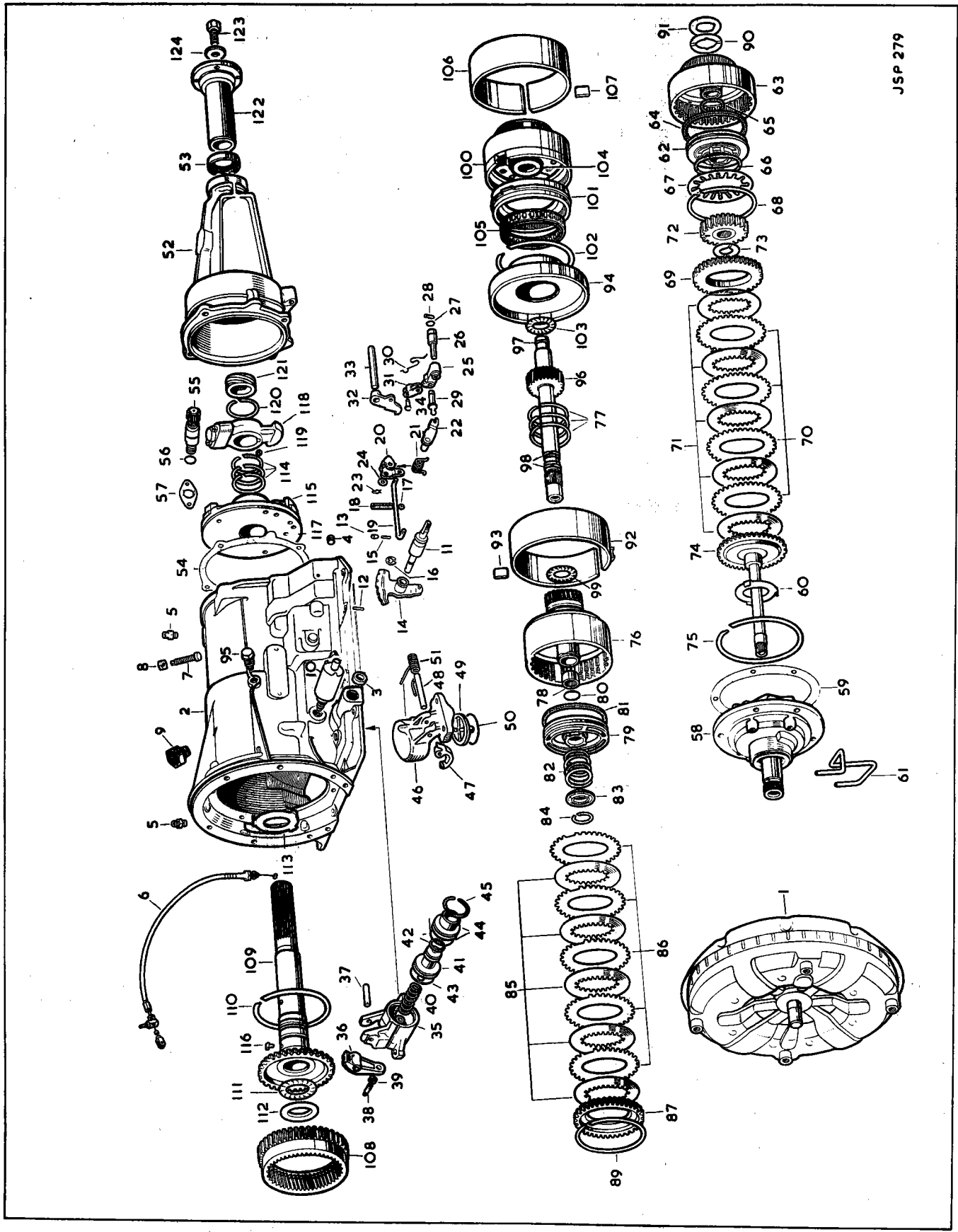
FITTED TO CHASSIS NO. 1B.8445 AND SUBS. } 3-4 LITRE 1B.59529 AND SUBS. } 3-8 LITRE
 1B.26241 AND SUBS. } 1B.80288 AND SUBS. }

Part No.	Description	Plate No.	No. per Unit	Remarks
11780	Screw, securing Oil Filter (EA.5088)		4	
9845	Oil Filter, on Valve Body, for Rear Pump (35--A98)	39-20	1	
11784	Screw, securing Oil Filter (EA.5088D)		2	
12044	Separating Plate (35EC-204)		1	
11780	Screw (3/8" long) for Assembly of Valve Bodies (EA.5088)		6	
11781	Screw (5/8" long) for Assembly of Valve Bodies (EA.5088A)		11	
11782	Screw (1 1/16" long) for Assembly of Valve Bodies (EA.5088B)		9	
11783	Screw (1 3/8" long) for Assembly of Valve Bodies (EA.5088C)		1	
9846	Bolt and Spring Lockwasher, securing Valve Bodies Assembly to Transmission Case (EA.4626C)		1	
9847	Bolt and Spring Lockwasher, securing Valve Bodies Assembly to Transmission Case (EA.4626D)		2	
11539	SPRING KIT FOR SERVICING VALVE BODIES (35FG-512)		1	
OIL TUBES				
9849	Oil Tube, connecting Valve Body to Front Servo (Apply) (35EA-185)	39-21	1	
9850	Oil Tube, connecting Valve Body to Front Servo (Release) (35EG-186)	39-22	1	
9851	Oil Tube, connecting Valve Body to Rear Clutch (35EA-86)	39-23	1	
9852	Oil Tube, connecting Valve Body to Rear Servo (35EA-91)	39-24	1	
11490	Oil Tube, connecting Valve Body to Front Pump (Inlet) (35-87A)	39-25	1	
9786	'O' Ring, for Front Pump Inlet Tube (4804Q)	39-26	1	
9853	Oil Tube, connecting Valve Body to Front Pump (Outlet) (35-89)	39-27	1	
9854	Oil Tube, on Valve Body, supplying Converter (35-88)	39-28	1	
9858	OIL PAN ASSEMBLY (35EA-508)	39-29	1	
10345	Drain Plug, in Oil Pan (EA-5033A)	39-30	1	
9859	Gasket, between Oil Pan and Transmission Case (35EA-181)	39-31	1	
9895	Bolt Assembly, securing Oil Pan to Transmission Case (EA-5062)	39-32	15	
11540	OIL SEAL AND 'O' RING SERVICE KIT (35FG-500-1)		1	
	(Comprising all Oil Seals and 'O' Rings)			

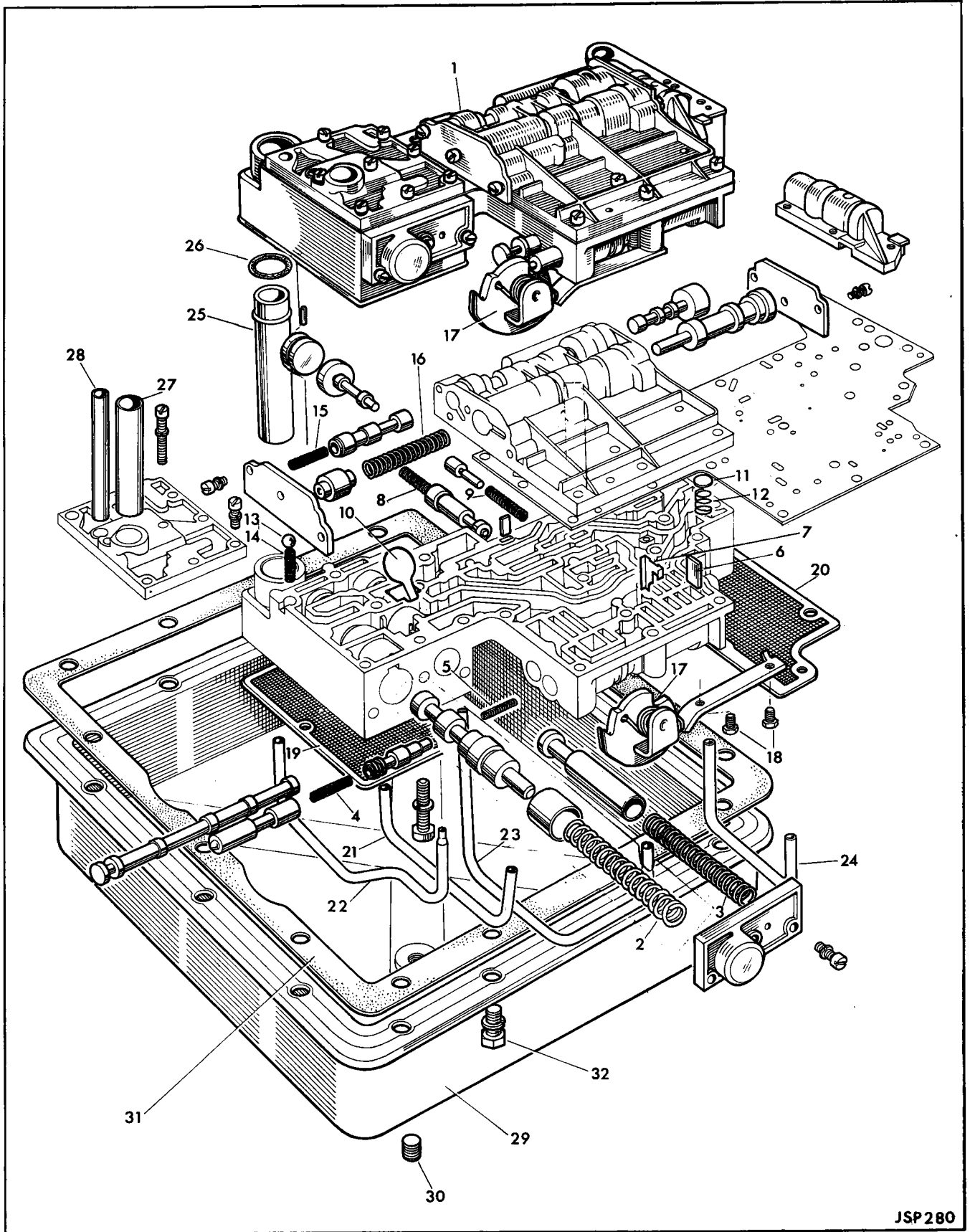
AUTOMATIC TRANSMISSION UNIT

FITTED TO CHASSIS NO. 1B.8445 AND SUBS. } 3-4 LITRE 1B.59529 AND SUBS. } 3-8 LITRE
1B.26241 AND SUBS. } 1B.80288 AND SUBS. }

Part No.	Description	Plate No.	No. per Unit	Remarks
11541	GASKET SERVICE KIT (35ES-501) (Comprising all Gaskets)		1	
9862	SEALING RING AND PISTON RING SERVICE KIT (35EA-503-1) (Comprising all Sealing Rings and Piston Rings)		1	
11542	THRUST WASHER SERVICE KIT (35FC-504-1) (Comprising all Thrust Washers)		1	
11543	FRONT CLUTCH PLATE SERVICE KIT (35EP-505) (Comprising all Clutch Plates, 'O' Rings, and Sealing Rings, for Front Clutch)		1	
11544	REAR CLUTCH PLATE SERVICE KIT (35EA-506-1) (Comprising all Clutch Plates, 'O' Rings, and Sealing Rings, for Rear Clutch)		1	
10810	PLUG FOR PRESSURE TAKE-OFF POINT (COMPLETE WITH 'O' RING) (35EA-518)		1	FOR USE WHEN PRESSURE TAKE-OFF BOSS IS DAMAGED
12054	FRONT SERVO PISTON SLEEVE AND SEALING RING KIT (35FG-524)		1	



JSP 279



JSP280

AUTOMATIC TRANSMISSION (MODEL DG) MOUNTING DETAILS

Part No.	Description	Plate No.	No. per Unit	Remarks
C.12553/1	CONVERTER HOUSING	40-1	1	
C.6866	Stud , fixing Housing to Transmission Assembly at Top		2	
NN.543/L	Nut , securing Converter Housing to Transmission Assembly		4	
C.727	Washer , Shakeproof, under Nuts		4	
UFB.137/32R	Bolt , securing Converter Housing to Cylinder Block		9	} EIGHT ONLY Fitted to Engine No. 7B.9675 and subs. 3-4 litre 7B.64681 and subs. 3-8 litre
C.726	Washer , Shakeproof, on Bolts		9	
C.7339	Stoneguard , over apertures in sides of Converter Housing	40-2	2	
C.7714	Clip , securing Stoneguards	40-3	4	
UCS.119/4R	Screw , Set, fixing Stoneguards to Converter Housing		4	
AW.102/T	Washer , Plain, on Setscrews		4	
C.723/A	Washer , Shakeproof, on Setscrews		4	
C.4795	SUPPORT BRACKET, R.H.	40-4	1	
C.4796	SUPPORT BRACKET, L.H.	40-5	1	
UFB.131/10R	Bolt , securing Support Brackets to Cylinder Block		4	
UFN.131/L	Nut , on Bolts		4	
FG.105/X	Washer , Spring, under Nuts		4	
UFB.137/32R	Bolt , securing Support Brackets to Converter Housing		6	
UFN.137/L	Nut , on Bolts		6	
C.726	Washer , Shakeproof, under Nuts		6	
C.23313	MID ENGINE MOUNTING, ON SCUTTLE (13/1161)	40-6	1	
UFS.131/6R	Screw , Set, securing Mid Engine Mounting to Scuttle		2	
C.8667/2	Nut , Self-Locking, on Setscrews		2	
C.11688	Bush , Stepped, on Mid Engine Mounting Link	40-7	1	
C.11607	Washer , Stepped, on Mid Engine Mounting Link	40-8	1	
C.8667/3	Nut , Self-Locking, securing Mid Engine Mounting Link to Mid Engine Mounting		1	
C.12890	MID ENGINE MOUNTING LINK, SUPPORTING CONVERTER HOUSING	40-9	1	
C.10940	Bush (Rubber/Steel) in Mounting Link	40-10	1	
UFB.143/14R	Bolt , securing Mounting Link to Support Bracket		1	
C.8737/4	Nut , Self-Locking, on Bolt		1	
C.6863	COVER AT BOTTOM OF CONVERTER HOUSING	40-11	1	
UCS.125/4R	Screw , Set, securing Cover		6	
C.724	Washer , Shakeproof, on Setscrews		6	

AUTOMATIC TRANSMISSION (MODEL DG)

MOUNTING DETAILS

Part No.	Description	Plate No.	No. per Unit	Remarks
C.6874	COVER AT FRONT OF CONVERTER HOUSING	40-12	1	
UCS.125/4R C.724	Screw, Set, securing Cover Washer, Shakeproof, on Setscrews		4 4	
C.10987	DRIVING PLATE, ON CRANKSHAFT, FOR ATTACHMENT OF TORQUE CONVERTER	40-13	1	
C.16682 C.13383	Screw, Set, securing Torque Converter to Driving Plate Tab Washer, securing Setscrews		6 6	
C.6861	REINFORCEMENT PLATE ADJACENT TO DRIVING PLATE	40-14	1	
C.6862	Dowel, positioning Driving and Reinforcement Plates to Crankshaft		2	
C.6839	Screw, Set, securing Driving and Reinforcement Plates to Crankshaft		10	
C.4810	Plate, locking Setscrews		1	
C.11528	FRONT ENGINE SUPPORT BRACKET, L.H.		1	
C.11529	FRONT ENGINE SUPPORT BRACKET, R.H.	40-15	1	
UFS.131/6R UFB.131/30R FG.105/X UFN.131/L	Screw, Set, securing Brackets to Body Underframe Bolt, securing Brackets to Body Underframe Washer, Spring, on Setscrews and Bolts Nut, on Setscrews and Bolts		4 4 8 8	
C.4794	FRONT ENGINE MOUNTING	40-16	2	
UFS.150/7R	Screw, Set, securing Front Engine Mountings to Engine Brackets		2	
FW.108/T	Washer, Plain, on Setscrews		2	
FG.108/X	Washer, Shakeproof, on Setscrews		2	
UFB.131/8R	Bolt, securing Front Engine Mountings to Engine Support Brackets		4	
FG.105/X UFN.131/L	Washer, Spring, on Bolts Nut, on Bolts		4 4	

AUTOMATIC TRANSMISSION (MODEL DG) MOUNTING DETAILS

Part No.	Description	Plate No.	No. per Unit	Remarks
C.22869	BRACKET ASSEMBLY FOR REAR ENGINE MOUNTING (REAR OF TRANSMISSION UNIT)	40-17	1	
UCS.137/6R C.726	Screw, Set, securing Bracket to Transmission Unit Washer, Shakeproof, on Setscrews		3 3	
C.21932	RETAINER, FOR REAR ENGINE MOUNTING COIL SPRING	40-18	1	
C.19276	Pin Assembly, securing Retainer to Bracket	40-19	1	
C.25943	REAR ENGINE MOUNTING BRACKET ASSEMBLY	40-20	1	
C.25944	Mounting Bracket only		1	
C.12335	Spring Seat (Rubber) cemented to inside of Mounting Bracket		1	
C.12265	Centre Bush (Rubber)		1	
UFB.131/10R	Bolt, securing Mounting Bracket to Body		4	
C.12027	Spacer, on Bolts, between Mounting Bracket and Body		4	
FG.105/X	Washer, Spring, on Bolts		4	
FW.105/T	Washer, Plain, under Spring Washers		4	
C.19190	COIL SPRING, FOR REAR ENGINE MOUNTING	40-21	1	
C.12335	Spring Seat (Rubber) between Spring and Retainer	40-22	1	
C.14665	BRACKET, ON INLET MANIFOLD STUD, MOUNTING THROTTLE SWITCH	40-23	1	
C.12473	Stud, in Inlet Manifold, for fixing of Bracket		1	
UFN.131/L	Nut, securing Bracket to Stud		1	
FG.105/X	Washer, Spring, under Nut		1	
C.14372	LEVER, ON CARBURETTER CONNECTING ROD, OPERATING THROTTLE SWITCH	40-24	1	
C.15270	THROTTLE SWITCH, OPERATING ANTI-CREEP DEVICE (31931/A)	40-25	1	

AUTOMATIC TRANSMISSION (MODEL DG)

MOUNTING DETAILS

Part No.	Description	Plate No.	No. per Unit	Remarks
C.22309	DIPSTICK ASSEMBLY	40-26	1	
C.17610	UPPER TUBE ASSEMBLY, HOUSING DIPSTICK	40-27	1	
C.17619	Clip, securing Upper Tube Pipe	40-28	1	
UFS.131/4R	Screw, Set, securing Clip to Barrel Nut		1	
FG.105/X	Washer, Spring, on Setscrew		1	
C.17343	Barrel Nut, receiving Setscrew and securing Water Outlet Elbow		1	
C.17613	LOWER TUBE ASSEMBLY, HOUSING DIPSTICK	40-29	1	
C.17615	Bracket Assembly, on Converter Housing, for fixing Lower Tube	40-30	1	
C.17617	Clip, securing Lower Tube to Bracket	40-31	1	
UFN.131/L	Nut, securing Clip		1	
FG.105/X	Washer, Spring, under Nut		1	
C.17618	HOSE, CONNECTING UPPER AND LOWER TUBES	40-32	1	
C.2905/2	Clip, securing Hose	40-33	2	

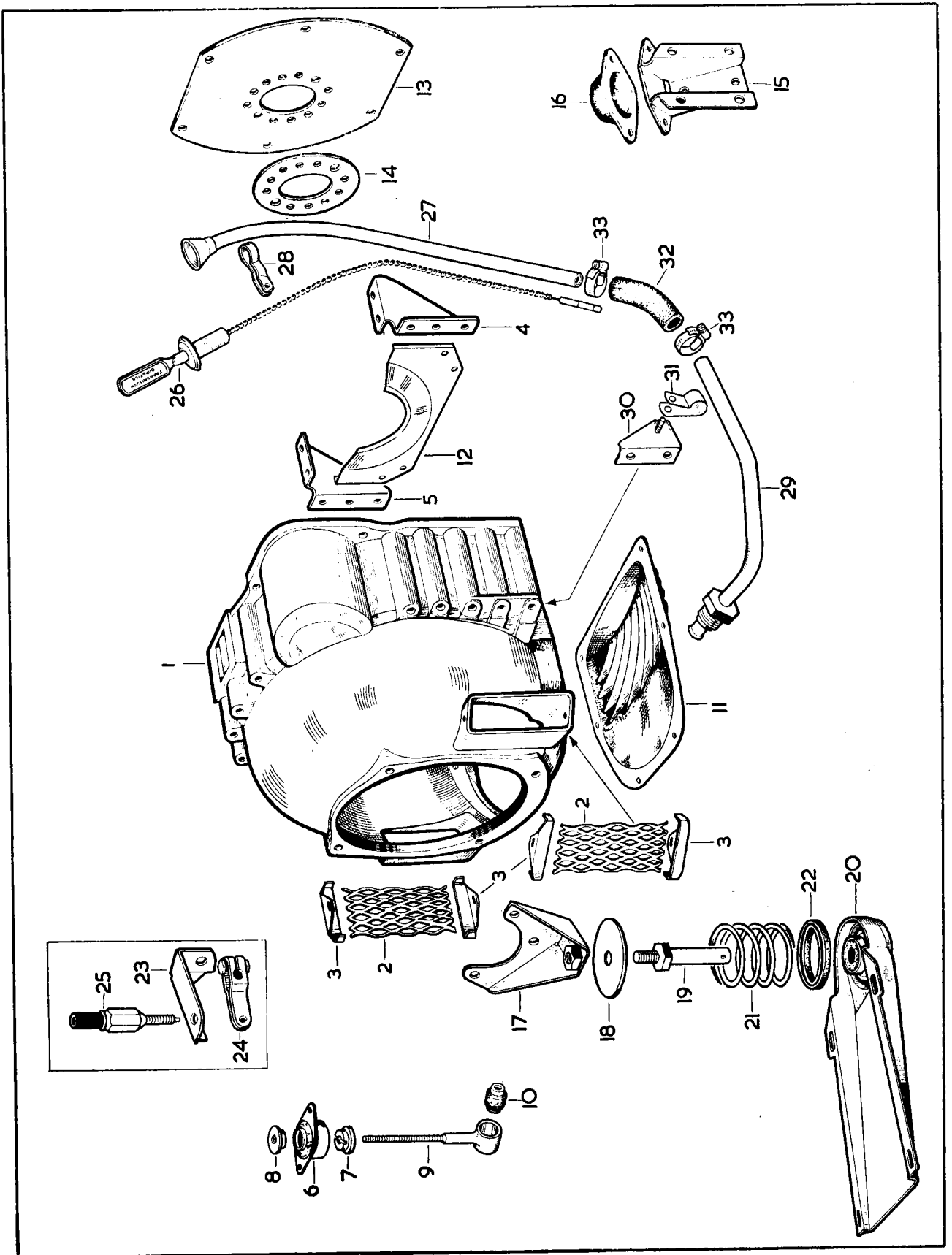


PLATE 40

AUTOMATIC TRANSMISSION (MODEL 35)

MOUNTING DETAILS

Part No.	Description	Plate No.	No. per Unit	Remarks
C.26838	CONVERTER HOUSING	41-1	1	
C.21055	Screw and Washer Assembly , securing Converter Housing to Transmission Unit		6	
UFB.137/29R FG.105/X	Bolt , securing Converter Housing to Cylinder Block Washer , Spring, on Bolts		8 8	
C.26382 C.26383	Stoneguard , over apertures in sides of Converter Housing Screw , securing Stoneguards to Converter Housing	41-2	2 4	
C.4795	SUPPORT BRACKET, R.H., BETWEEN TORQUE CONVERTER AND CYLINDER BLOCK	41-3	1	
C.4796	SUPPORT BRACKET, L.H., BETWEEN TORQUE CONVERTER AND CYLINDER BLOCK	41-4	1	
UFB.131/10R UFN.131/L FG.105/X	Bolt , securing Support Brackets to Cylinder Block Nut , on Bolts Washer , Spring, under Nuts		4 4 4	
UFB.137/29R UFB.137/10R UFN.137/L FG.106/X	Bolt , securing Support Brackets to Converter Housing Bolt , securing Support Brackets to Converter Housing Nut , on Bolts Washer , Spring, under Nuts		2 4 6 6	
C.5072	COVER AT FRONT OF CONVERTER HOUSING	41-5	1	
UCS.125/4R C.724	Screw , Set, securing Cover Washer , Shakeproof, on Setscrew		4 4	
C.26565	DRIVE PLATE ASSEMBLY, ON CRANKSHAFT FOR ATTACHMENT OF TORQUE CONVERTER	41-6	1	
C.6861 C.6862	Reinforced Plate , adjacent to Drive Plate Dowel , locating Drive and Reinforcement Plates to Crankshaft	41-7	1 2	
C.6839	Screw , Set, securing Drive and Reinforcement Plate to Crankshaft		10	
C.4810	Plate , locking Setscrews		1	
C.16682 C.22788	Screw , Set, securing Torque Converter to Drive Plate Tab Washer , locking Setscrews		4 2	

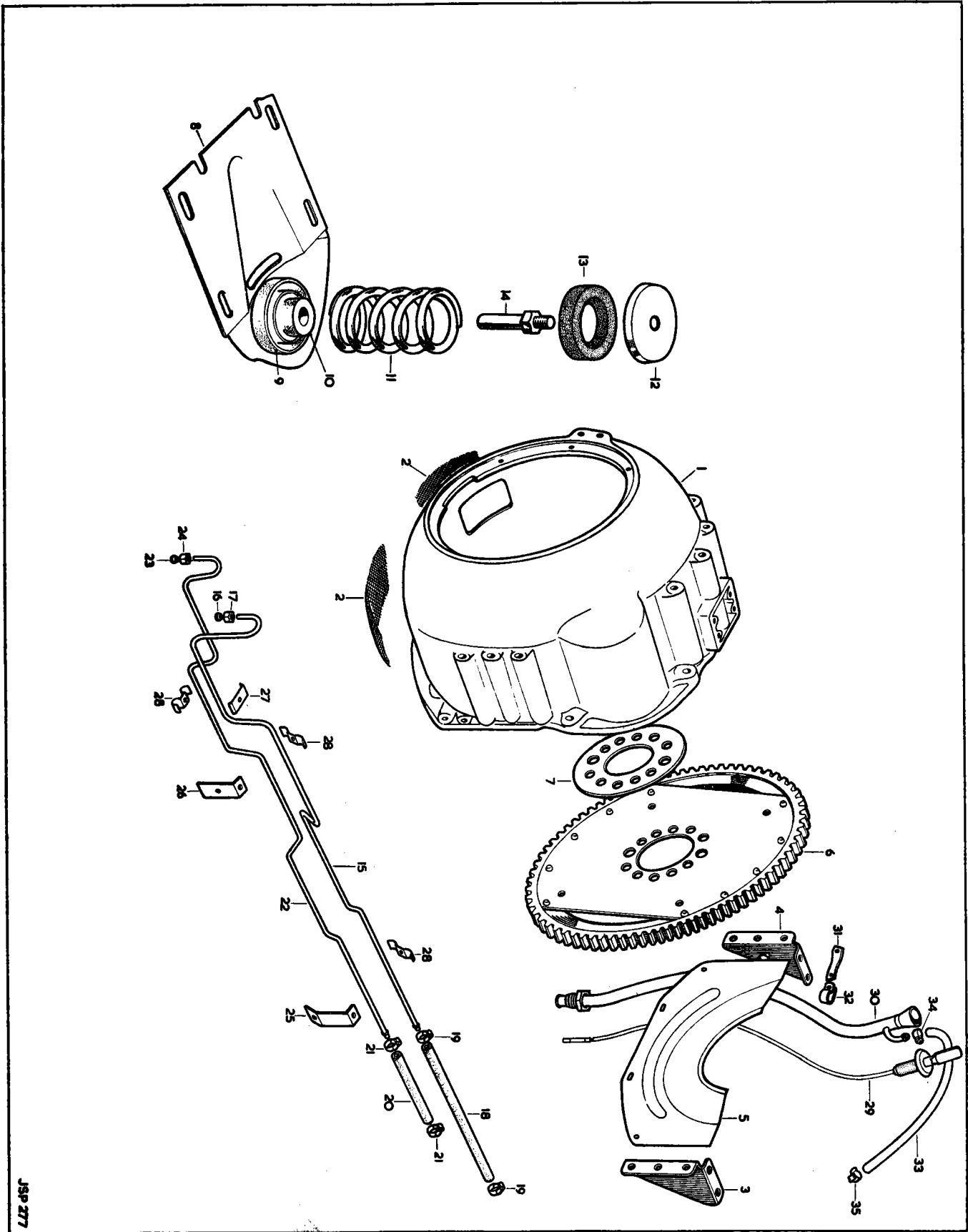
AUTOMATIC TRANSMISSION (MODEL 35) MOUNTING DETAILS

Part No.	Description	Plate No.	No. per Unit	Remarks
C.25943	BRACKET ASSEMBLY FOR REAR ENGINE MOUNTING	41-8	1	
C.12335	Spring Seat (Rubber) inside Bracket	41-9	1	
C.12265	Centre Bush (Rubber)	41-10	1	
UFB.131/10R	Bolt , securing Mounting Bracket to Body		4	
FG.105/X	Washer , Spring, on Bolts		4	
FW.105/T	Washer , Plain, under Spring Washers		4	
C.19988	COIL SPRING, FOR REAR ENGINE MOUNTING	41-11	1	
C.25946	Retainer , at top of Coil Spring	41-12	1	
C.12335	Spring Seat (Rubber) inside Retainer	41-13	1	
C.25947	Pin Assembly , securing Retainer to Transmission Unit and locating Support Bracket	41-14	1	
C.26547	OIL OUTLET PIPE FROM FRONT CONNECTION ON TRANSMISSION UNIT TO FLEXIBLE HOSE	41-15	1	
C.21406	Olive , for Oil Outlet Pipe	41-16	1	
C.21407	Nut , securing Oil Outlet Pipe to Transmission Unit	41-17	1	
C.25971/1	FLEXIBLE HOSE FROM OIL OUTLET PIPE TO RADIATOR (19¼" LONG)	41-18	1	
C.2905/2	Clip , securing Flexible Hose	41-19	2	
C.1040/16	Clip , retaining Flexible Hose to Front Cross Member		1	
DAZ.108/8C	Screw , Self-Tapping, securing Clip		1	
C.25971/2	FLEXIBLE HOSE FROM RADIATOR TO OIL RETURN PIPE (10½" LONG)	41-20	1	
C.2905/2	Clip , securing Flexible Hose	41-21	2	
C.26548	OIL RETURN PIPE FROM FLEXIBLE HOSE TO REAR CONNECTION ON TRANSMISSION UNIT	41-22	1	
C.21406	Olive , for Oil Return Pipe	41-23	1	
C.21407	Nut , securing Oil Return Pipe to Transmission Unit	41-24	1	

AUTOMATIC TRANSMISSION (MODEL 35)

MOUNTING DETAILS

Part No.	Description	Plate No.	No. per Unit	Remarks
C.27087	BRACKET, ON OIL SUMP BOLT, SUPPORTING OIL PIPES AND HOSES AT FRONT	41-25	1	
C.24549	BRACKET, ON OIL SUMP BOLT, SUPPORTING OIL PIPES AT REAR	41-26	1	
C.21390	CLAMP, SUPPORTING OIL PIPES	41-27	1	
C.24599	Clip, holding Oil Pipes to Brackets and Clamp	41-28	3	
UFS.119/4R	Screw, Set, securing Clips		3	
UFN.119/L	Nut, on Setscrews		3	
AG.102/X	Washer, Spring, under Nuts		3	
C.26546	TRANSMISSION DIPSTICK ASSEMBLY	41-29	1	
C.26542	TUBE ASSEMBLY, FOR TRANSMISSION DIPSTICK	41-30	1	
C.26545	Strut, on Inlet Manifold Stud, supporting Tube	41-31	1	
C.17617	Clip, retaining Dipstick Tube to Strut	41-32	1	
UFS.131/5R	Screw, Set, securing Clip to Strut		1	
UFN.131/L	Nut, on Setscrew		1	
FG.105/X	Washer, Spring, under Nut		1	
C.23285	BREATHER HOSE FOR TRANSMISSION UNIT	41-33	1	
C.2905/1	Clip, securing Breather Hose to Dipstick Tube	41-34	1	
BD.26562	Clip, retaining Breather Hose to Body	41-35	1	



JSP 277

PLATE 41

AUTOMATIC TRANSMISSION CONTROL

FITTED FROM CHASSIS NO. 1J.1001 TO 1J.8444 } 3-4 LITRE 1J.50001 TO 1J.59528 } 3-8 LITRE
 1J.25001 TO 1J.26241 } 1J.75001 TO 1J.80287 }

Part No.	Description	Plate No.	No. per Unit	Remarks
C.23388	LEVER ASSEMBLY OPERATING SELECTOR (COMPLETE WITH KNOB)	71-10	1	
C.26745	Pivot Pin, for Selector Lever	71-11	1	
L.102/4U	Split Pin, securing Pivot Pin		1	
FW.104/T	Washer, Plain, under Split Pin		1	
C.900	Spring, in Selector Housing, tensioning Lever	71-12	1	
C.903	Shim, under Spring	71-13	1	
C.16578	BRACKET (NYLON) FOR INDICATOR ARM	71-14	1	
UFS.119/4R	Screw, Set, securing Bracket		1	
UFN.119/L	Nut, on Setscrew		1	
AW.102/T	Washer, Plain, under Nut		1	
C.20734	LINK, CONNECTING INDICATOR ARM AND SELECTOR LEVER	71-15	1	Fitted from Chassis No. 1B.1001 to 1B.8444 } 3-4 litre 1B.25001 to 1B.26223 } 1B.50001 to 1B.59492 } 3-8 litre 1B.75001 to 1B.80281 }
C.15637	ARM ASSEMBLY FOR GEAR INDICATOR	71-16	1	
C.27834	LINK, CONNECTING INDICATOR ARM AND SELECTOR LEVER		1	Fitted to Chassis No. 1B.8445 and subs. } 3-4 litre 1B.26224 and subs. } 1B.59493 and subs. } 3-8 litre 1B.80282 and subs. }
C.27836	ARM ASSEMBLY FOR GEAR INDICATOR		1	
C.15639	Grommet, in Indicator Arm, for Connecting Link	71-17	1	
C.22717	LINK, CONNECTING OPERATING SHAFT TO SWITCH FOR REVERSE LAMP AND STARTER CUT-OUT	71-18	1	
C.15639	Grommet, for Connecting Link	71-19	2	
C.22948	SWITCH FOR REVERSE LAMP AND STARTER CUT-OUT	71-20	1	
C.18763	Clip, securing Switch to Steering Column	71-21	1	
UFS.119/7R	Screw, Set, clamping Switch in Clip		1	
C.723A	Washer, Shakeproof, on Setscrew		1	
C.20337	Stiffening Plate, on Setscrew	71-22	2	

AUTOMATIC TRANSMISSION CONTROL

FITTED FROM CHASSIS NO. 1J.1001 TO 1J.8444 } 3.4 LITRE 1J.50001 TO 1J.59528 } 3.8 LITRE
 1J.25001 TO 1J.26241 }

Part No.	Description	Plate No.	No. per Unit	Remarks
C.22712	TRANSFER LEVER ASSEMBLY FOR OPERATION OF GEAR CONTROL CABLE	71-23	1	
C.22715	Bracket , mounting Transfer Lever to Dash	71-24	1	} R.H. DRIVE CARS ONLY
C.22716	Nut Plate Assembly , fixing Bracket		1	
UFS.131/6R	Screw, Set , securing Bracket to Dash		2	
FG.105/X	Washer, Spring , on Setscrews		2	
FW.105/T	Washer, Plain , under Spring Washer		2	
UFB.131/11R	Bolt , through Bracket, pivoting Transfer Lever		1	
C.15814	Distance Tube , on Bolt		1	
UFN.131/L	Nut , on Bolt		1	
FG.105/X	Washer, Spring , under Nut		1	
C.15829	Washer, Plain , under Spring Washer		1	
C.16810	LINK, FROM OPERATING SHAFT TO TRANSFER LEVER	71-25	1	} R.H. DRIVE CARS ONLY
C.16809	Ball Joint (Amal) connecting Link to Operating Shaft and Transfer Lever	71-26	2	
UFN.125/L	Nut , locking Ball Joints to Link		2	
C.16956	GEAR CONTROL CABLE FROM TRANSFER LEVER TO TRANSMISSION UNIT	71-27	1	} R.H. DRIVE CARS ONLY
C.16809	Ball Joint (Amal) fixing Cable to Transfer Lever	71-28	1	
UFN.125/L	Nut , locking Ball Joint to Cable		1	
C.5574	Grommet , in Dash, for Control Cable (740811)		1	
C.22711	ABUTMENT BRACKET, ON DASH, FOR GEAR CONTROL CABLE	71-29	1	} R.H. DRIVE CARS ONLY
UFS.131/6R	Screw, Set , securing Abutment Bracket		2	
FG.105/X	Washer, Spring , on Setscrews		2	
UFN.131/L	Nut , on Setscrews		2	
C.12690	Nut , securing Cable to Abutment Bracket		2	
C.16641	GEAR CONTROL CABLE FROM OPERATING SHAFT TO TRANSMISSION UNIT		1	} L.H. DRIVE CARS ONLY
C.15684	Ball Joint (Amal) connecting Cable to Operating Shaft		1	
UFN.125/L	Nut , locking Ball Joint to Cable		1	
UFN.125/L	Nut , securing Ball Joint to Operating Shaft		1	
C.724	Washer, Shakeproof , under Nut		1	

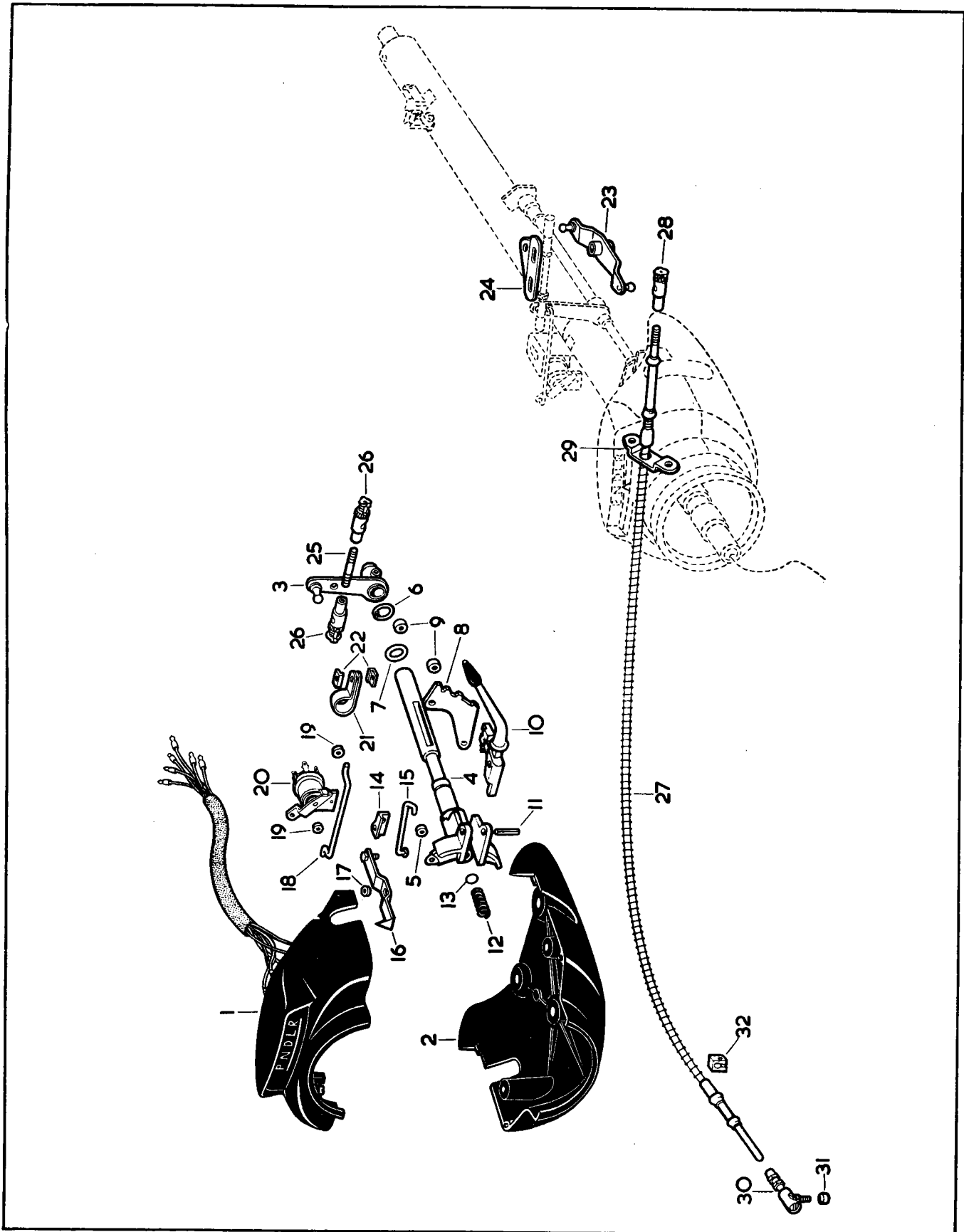


PLATE 71

MODEL '35' AUTOMATIC TRANSMISSION HAND CONTROL

FITTED TO CHASSIS NO. 1B.8445 AND SUBS., 1B.26241 AND SUBS. 3-4 LITRE
1B.59529 AND SUBS., 1B.80288 AND SUBS. 3-8 LITRE

Part No.	Description	Plate No.	No. per Unit	Remarks
C.22538	UPPER SWITCH COVER ASSEMBLY AT CENTRE OF STEERING WHEEL (WITH INDICATOR PLATE INSCRIBED 'P.R.N.D2.D1.L.')	72-1	1	
C.20792	LOWER SWITCH COVER ASSEMBLY AT CENTRE OF STEERING WHEEL	72-2	1	
C.16460	Screw, Set, clamping Upper and Lower Covers together		2	
C.15830	Washer, Plain, on Setscrews		2	
BD.13713/2	Screw, Set, securing Lower Cover to Upper Steering Column		3	
C.15830	Washer, Plain, on Setscrews		3	
C.26242	HOUSING AND SHAFT ASSEMBLY FOR SELECTOR LEVER	72-3	1	
C.15639	Grommet, in Selector Housing, for Indicator Arm Connecting Link	72-4	1	
C.15862	Circlip, securing Selector Housing and Shaft to Bracket on Steering Column	72-5	1	
C.15896	Washer, Special, behind Circlip	72-6	1	
C.20957/6	Bearing, for Selector Shaft, upper		1	
C.20955/4	Bearing, for Selector Shaft, lower		1	
C.26180	GATE, POSITIONING SELECTOR LEVER	72-7	1	
UF6.119/7R	Screw, Set, securing Gate to Bracket on Steering Column Tube		2	
C.16541	Distance Piece, between Gate and Bracket	72-8	2	
C.8667/17	Nut, Self-Locking, on Setscrews		2	
C.27523	LEVER ASSEMBLY OPERATING SELECTOR (COMPLETE WITH KNOB)	72-9	1	
C.26745	Pivot Pin, securing Lever to Selector Housing	72-10	1	
C.13361	Washer, Special, on Pivot Pin		1	
L.102/4U	Split Pin, retaining Pivot Pin		1	
C.900	Spring, in Selector Housing, tensioning Lever	72-11	1	
C.903	Shim, under Spring	72-12	As req'd	
C.16578	BRACKET FOR INDICATOR ARM	72-13	1	
UFS.119/4R	Screw, Set, securing Bracket		1	
UFN.119/L	Nut, on Setscrew		1	
AW.102/T	Washer, Plain, under Nut		1	

MODEL '35' AUTOMATIC TRANSMISSION

HAND CONTROL

FITTED TO CHASSIS NO. 1B.8445 AND SUBS., 1B.26241 AND SUBS. 3-4 LITRE
1B.59529 AND SUBS., 1B.80288 AND SUBS. 3-8 LITRE

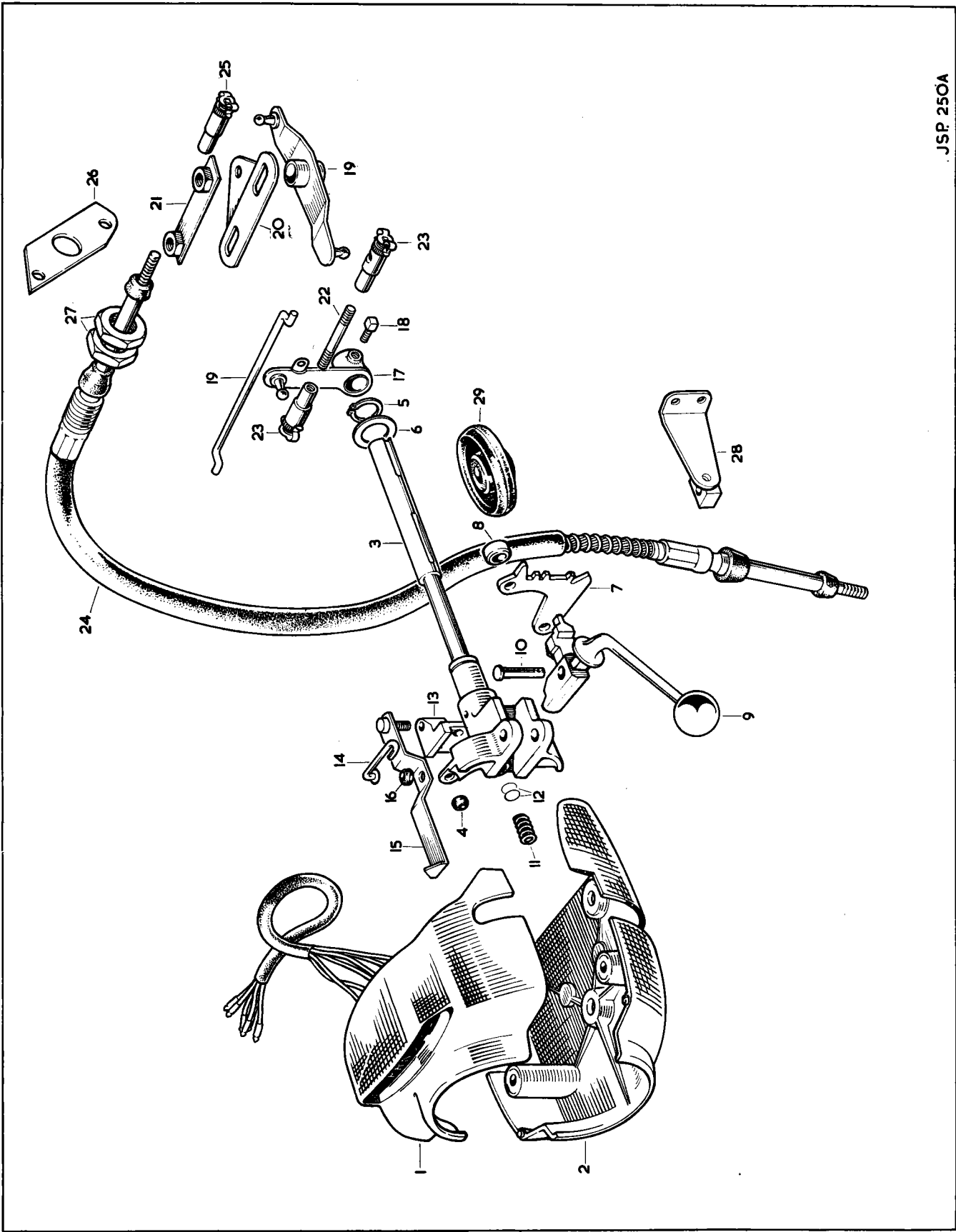
Part No.	Description	Plate No.	No. per Unit	Remarks
C.27834	LINK CONNECTING INDICATOR ARM AND SELECTOR LEVER	72-14	1	
C.27836	ARM ASSEMBLY FOR GEAR INDICATOR	72-15	1	
C.15639	Grommet, in Indicator Arm, for Connecting Link	72-16	1	
C.26229	OPERATING LEVER ASSEMBLY FOR AUTOMATIC TRANSMISSION CONTROL	72-17	1	R.H. DRIVE CARS ONLY
C.26230	OPERATING LEVER ASSEMBLY FOR AUTOMATIC TRANSMISSION CONTROL		1	L.H. DRIVE CARS ONLY
C.16637	Locking Screw (Square Head) securing Operating Lever to Selector Housing Shaft	72-18	1	
C.22712	TRANSFER LEVER ASSEMBLY FOR OPERATION OF GEAR CONTROL CABLE	72-19	1	R.H. DRIVE CARS ONLY
C.22715	Bracket, mounting Transfer Lever to Dash	72-20	1	
C.22716	Nut Plate Assembly, fixing Bracket	72-21	1	
UFS.131/6R	Screw, Set, securing Bracket to Dash		2	
FG.105/X	Washer, Spring, on Setscrews		2	
FW.105/T	Washer, Plain, under Spring Washers		2	
C.26239	TRANSFER LEVER ASSEMBLY FOR OPERATION OF GEAR CONTROL CABLE		1	L.H. DRIVE CARS ONLY
C.26243	Bracket, mounting Transfer Lever to Dash		1	
C.22716	Nut Plate Assembly, fixing Bracket		1	
UFS.131/6R	Screw, Set, securing Bracket to Dash		1	
FG.105/X	Washer, Spring, on Setscrews		1	
UFB.131/11R	Bolt, through Bracket, pivoting Transfer Lever		1	
C.15814	Distance Tube, on Bolt		1	
UFN.131/L	Nut, on Bolt		1	
FG.105/X	Washer, Spring, on Bolt		1	
C.15829	Washer, Special, under Spring Washer		1	

MODEL '35' AUTOMATIC TRANSMISSION

HAND CONTROL

FITTED TO CHASSIS NO. 1B.8445 AND SUBS., 1B.26241 AND SUBS. 3.4 LITRE
 1B.59529 AND SUBS., 1B.80288 AND SUBS. 3.8 LITRE

Part No.	Description	Plate No.	No. per Unit	Remarks
C.16810	LINK, CONNECTING LEVER ON SELECTOR SHAFT TO TRANSFER LEVER	72-22	1	} R.H. DRIVE CARS ONLY
C.16809	Ball Joint (Amal) connecting Link to Operating Lever and Transfer Lever	72-23	2	
UFN.125/L	Nut, locking Ball Joint to Link		2	
C.27584	LINK, CONNECTING LEVER ON SELECTOR SHAFT TO TRANSFER LEVER		1	} L.H. DRIVE CARS ONLY
C.16809	Ball Joint (Amal) connecting Link to Operating Lever		1	
C.25152	End Fitting, securing Link to Transfer Lever		1	
UFN.125/L	Nut, locking Ball Joint and End Fitting to Link		2	
C.26262	GEAR CONTROL CABLE FROM TRANSFER LEVER TO TRANSMISSION UNIT	72-24	1	R.H. DRIVE CARS ONLY
C.26263	GEAR CONTROL CABLE FROM TRANSFER LEVER TO TRANSMISSION UNIT		1	L.H. DRIVE CARS ONLY
C.16809	Ball Joint (Amal) connecting Cable to Transfer Lever, and Lever on Transmission Unit	72-25	2	
UFN.125/L	Nut, locking Ball Joints to Cable		2	
C.26238	ABUTMENT BRACKET ON DASH, LOCATING GEAR CONTROL CABLE	72-26	1	
UFS.125/6	Screw, Set, securing Abutment Bracket to Dash		1	
C.724	Washer, Shakeproof, on Setscrew		1	
FW.104/T	Washer, Plain, under Shakeproof Washer		1	
C.12690	Nut, locking Cable to Abutment Bracket	72-27	2	
C.26264	ABUTMENT BRACKET ASSEMBLY ON CONVERTER HOUSING	72-28	1	
UCS.131/6R	Screw, Set, securing Abutment Bracket to Converter Housing		2	
C.725	Washer, Shakeproof, on Setscrews		2	
UFS.131/7R	Screw, Set, securing Cable to Abutment Bracket		1	
C.725	Washer, Shakeproof, on Setscrew		1	
C.12425	Grommet, in Transmission Tunnel for Gear Control Cable (745475)	72-29	1	



STANDARD TRANSMISSION PROPELLER SHAFT

Part No.	Description	Plate No.	No. per Unit	Remarks
C.21935	PROPELLER SHAFT ASSEMBLY (63/0023)		1	Fitted from Chassis No. 1B.1001 to 1B.6296
				1B.25001 to 1B.25810 } 3-4 litre
8404	Flange Yoke (K.2/2/329.C)		1	1B.50001 to 1B.56981 } 3-8 litre
9409	Journal Assembly, connecting Yokes to Propeller Shaft (K.5/GB.117)		2	1B.75001 to 1B.78975 }
8403	Sleeve Yoke Assembly (K.2/3/GB.3198)		1	
C.26578	PROPELLER SHAFT, COMPLETE		1	Fitted to Chassis No. 1B.6297 and subs. } 3-4 litre
8404	Flange Yoke (K.2/2/329.C)	42-1	2	1B.25811 and subs. } 3-8 litre
9409	Journal Assembly, connecting Flange Yokes to Propeller Shaft (K.5/GB.162)	42-2	2	1B.56982 and subs. }
9410	Sleeve Yoke Assembly (K.2/3/GB.3758)	42-3	1	1B.78976 and subs. }
9411	Gaiter, for Sliding Joint (94/GB.4007)	42-4	1	
9412	Ring (Rubber) retaining Gaiter to Shaft (K.3/86/GB.139)	42-5	2	
9413	Ring (Steel) retaining Gaiter to Sleeve Yoke (94/GB.3951)	42-6	1	
9409	JOURNAL ASSEMBLY, CONNECTING YOKES TO PROPELLER SHAFT (K.5/GB.117)	42-2	2	
19	Circlip, retaining Journal Bearings (K.2/7/GB.19)		8	
C.19827	Bolt, securing Propeller Shaft Assembly Flanges		8	
C.8737/3	Nut, Self-Locking, on Bolts		8	

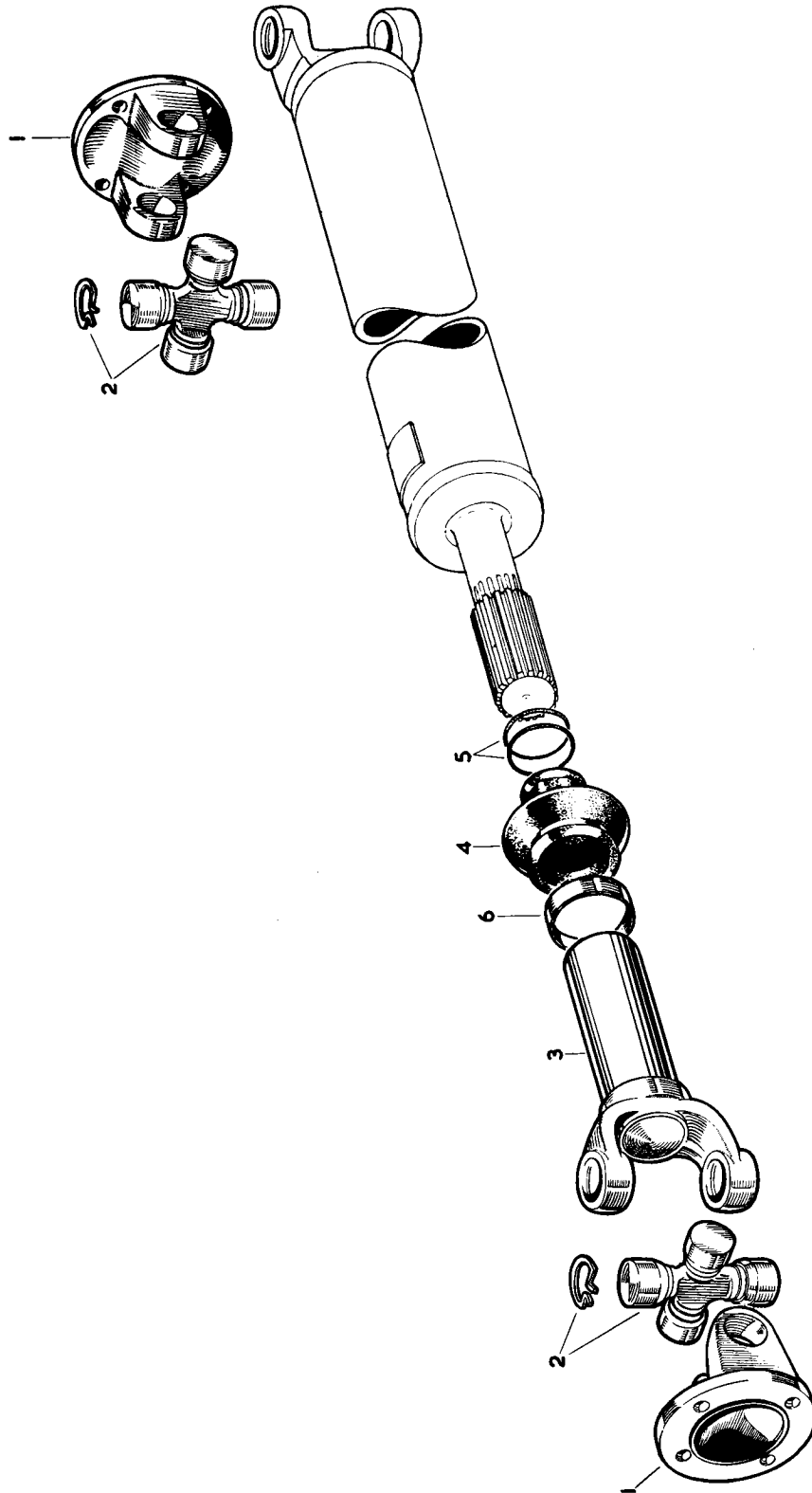
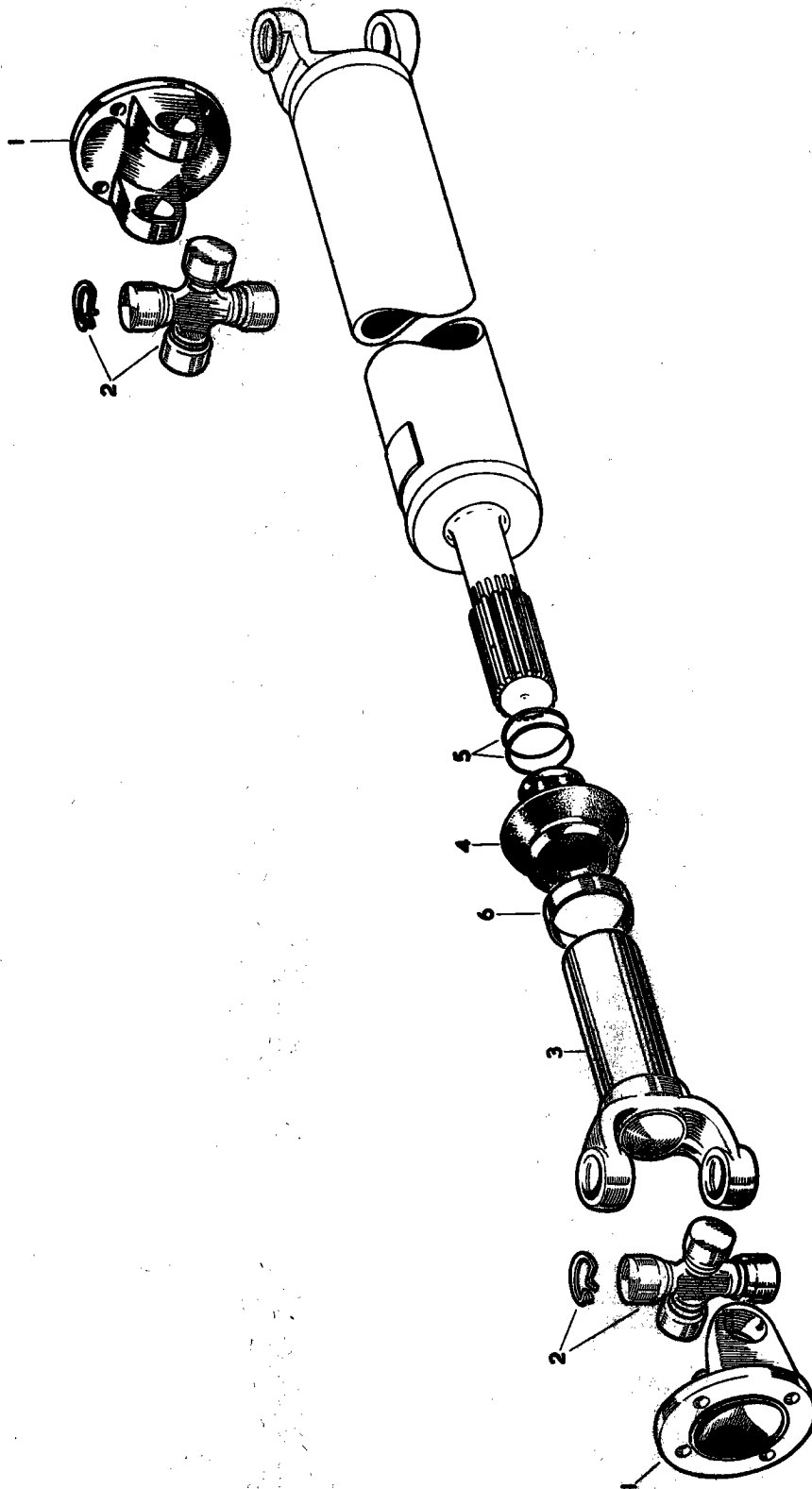


PLATE 42

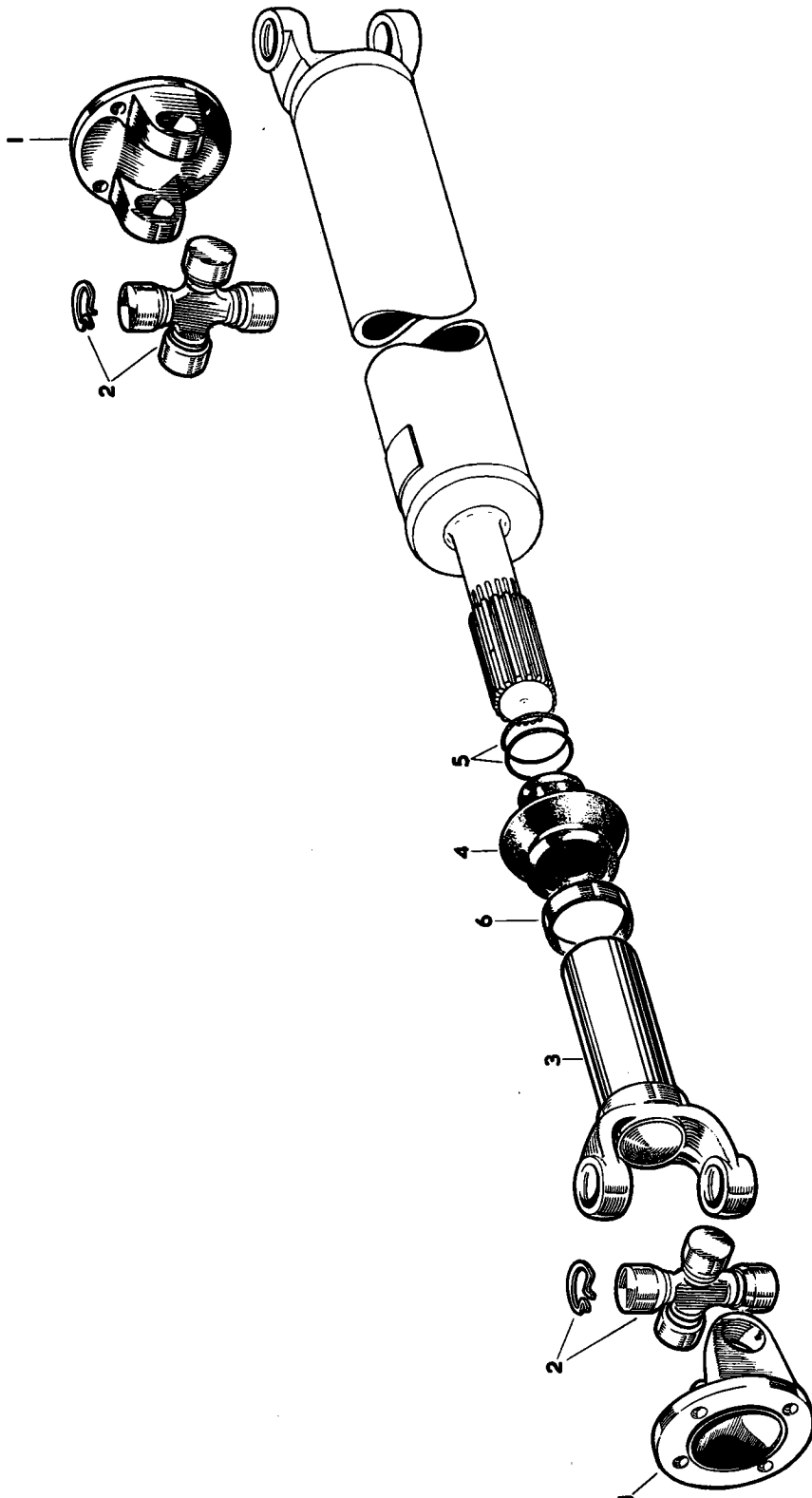
OVERDRIVE TRANSMISSION PROPELLER SHAFT

Part No.	Description	Plate No.	No. per Unit	Remarks
C.26658	PROPELLER SHAFT ASSEMBLY		1	Fitted from Chassis No.
8404	Flange Yoke (K.2/2/329/C)	43-1	2	1B.1001 to 1B.6296
9409	Journal Assembly, connecting Flange Yokes to Propeller Shaft (K.5/GB.117)	43-2	2	1B.25001 to 1B.25810
9410	Sleeve Yoke Assembly (K.2/3/GB.3758)	43-3	1	1B.50001 to 1B.56981
9411	Gaiter, for Sliding Joint (94/GB.4007)	43-4	1	1B.75001 to 1B.78975
9412	Ring (Rubber) retaining Gaiter to Shaft (K.3/86/GB.139)	43-5	2	
9413	Ring (Steel) retaining Gaiter to Sleeve Yoke (94/GB.3951)	43-6	1	
C.26578	PROPELLER SHAFT, COMPLETE		1	Fitted to Chassis No.
	Individual items are as for Propeller Shaft C.26658			1B.6297 and subs.
				1B.25811 and subs.
				1B.56982 and subs.
				1B.78976 and subs.
9409	JOURNAL ASSEMBLY, CONNECTING FLANGE YOKES TO PROPELLER SHAFT (K.5/GB.162)	43-2	2	
19	Circlip, retaining Journal Bearings (K.2/7/GB.19)		8	
C.19827	Bolt, securing Propeller Shaft Assembly to Flanges on Overdrive Unit and Final Drive Unit		8	
C.8737/3	Nut, Self-Locking, on Bolts		8	



AUTOMATIC TRANSMISSION PROPELLER SHAFT

Part No.	Description	Plate No.	No. per Unit	Remarks
C.26577	PROPELLER SHAFT ASSEMBLY		1	
8404	Flange Yoke (K.2/2/329.C)	44-1	2	
9409	Journal Assembly, connecting Flange Yokes to Propeller Shaft (K.5/GB.117)	44-2	2	
9410	Sleeve Yoke Assembly (K.2/3/GB.3758)	44-3	1	
9411	Gaiter, for Sliding Joint (94/GB.4007)	44-4	1	
9412	Ring (Rubber) retaining Gaiter to Shaft (K.3/86/GB.139)	44-5	2	
9413	Ring (Steel) retaining Gaiter to Sleeve Yoke (94/GB.3951)	44-6	1	
9409	JOURNAL ASSEMBLY, CONNECTING FLANGE YOKES TO PROPELLER SHAFT (K.5/GB.162)	44-2	2	
19	Circlip, retaining Journal Bearings (K.2/7/GB.19)		8	
C.19827	Bolt, securing Propeller Shaft Assembly to Flanges on Transmission Unit and Final Drive Unit		8	
C.8737/3	Nut, Self-Locking, on Bolts		8	



3.8 LITRE STANDARD OR AUTOMATIC TRANSMISSION FINAL DRIVE UNIT

FITTED FROM CHASSIS NO. 1B.1001 TO 1B.3575
1B.25001 TO 1B.25510

Part No.	Description	Plate No.	No. per Unit	Remarks
C.23513	FINAL DRIVE UNIT ASSEMBLY (4HU-001/45A) (RATIO 3-54:1)		1	NOT REQUIRED FOR CARS EXPORTED TO U.S.A. OR CANADA
9752	Gear Carrier Sub-Assembly (4HU-061/12)	45-1	1	
6114	Screw, Set, securing Differential Bearing Caps (8B-NC.36)	45-2	4	
8489	Lockwasher, on Setscrews (8LW-115)	45-3	4	
8507	Cover, for Carrier (4HA-010/9)	45-4	1	
3823	Plug, for Filler and Drain Apertures (HA-059)	45-5	2	
3931	Gasket, under Cover (4HA-026)	45-6	1	
8509	Elbow, in Cover (4HA-098/1)	45-7	1	
C.23611/2	Extension, for Elbow (4HU-098/2)	45-7A	1	} SUPERSEDED BY C.25716
C.23611/1	Breather, at top of Extension (3HA-098/3)	45-8	1	
CS.131/5D	Screw, Set, securing Cover to Carrier (5B-NC.10)	45-9	10	
47	Lockwasher, on Setscrews (5LW-95)	45-10	10	
11096	Differential Case Assembly (4HA-082/6)		1	
3845	Roller Bearing, on Differential Case (Timken 25577-25523) (2HA-024)	45-11	2	
6305	Crown Wheel and Pinion (Ratio 3-54:1) (4HA-105/9A)	45-12	1	
6301	Screw, Set, securing Crown Wheel to Differential Case (3HA-075/6)	45-13	10	
6316	Lock Strap, securing Crown Wheel Setscrews (4HA-074/2)	45-14	5	
3844	Roller Bearing, at inner end of Pinion (Timken 31593-31520) (2HA-023)	45-15	1	
3860	Shim, inner, adjusting Pinion (.003" thick) (2HA-043)	45-16	As req'd	} USE SHIMS OF DESIRED THICKNESS
3861	Shim, inner, adjusting Pinion (.005" thick) (2HA-044)	45-16	As req'd	
3862	Shim, inner, adjusting Pinion (.010" thick) (2HA-045)	45-16	As req'd	
8029	Distance Washer, behind outer Pinion Shims (4HA-115)	45-17	1	
3856	Shim, outer, adjusting Pinion (.003" thick) (2HA-039)	45-18	As req'd	} USE SHIMS OF DESIRED THICKNESS
3857	Shim, outer, adjusting Pinion (.005" thick) (2HA-040)	45-18	As req'd	
3858	Shim, outer, adjusting Pinion (.010" thick) (2HA-041)	45-18	As req'd	
3859	Shim, outer, adjusting Pinion (.030" thick) (2HA-042)	45-18	As req'd	
3843	Roller Bearing, at outer end of Pinion (Timken 02872-02820) (2HA-022)	45-19	1	
3934	Oil Slinger, on Pinion (4HA-036)	45-20	1	
3840	Oil Seal, on Pinion (2HA-019)	45-21	1	
3841	Gasket, for Pinion Oil Seal (2HA-020)	45-22	1	
3879	Companion Flange Assembly (2HA-083)	45-23	1	
6126	Nut, securing Companion Flange to Pinion (12LN-NF.9)	45-24	1	
6128	Washer, under Nut (12W-24)	45-25	1	
8494	Drive Shaft (4HU-005/4)	45-26	2	
8495	Roller Bearing, on Drive Shafts (4HU-025)	45-27	4	
8493	Spacing Collar, between Roller Bearings (4HU-018)	45-28	2	
8490	Shim, adjusting Bearings (.003" thick) (4HU-116)	45-29	As req'd	} USE SHIMS OF DESIRED THICKNESS
8491	Shim, adjusting Bearings (.005" thick) (4HU-116/1)	45-29	As req'd	
8492	Shim, adjusting Bearings (.010" thick) (4HU-116/2)	45-29	As req'd	
8499	Housing, for Drive Shaft Bearings (4HU-014/1)	45-30	2	
8950	'O' Ring, on Housings (4HA-079/2)	45-30A	2	
9754	Shim, under Bearing Housings, for adjustment of Differential (.003" thick) (4HU-050/7)	45-31	As req'd	} USE SHIMS OF DESIRED THICKNESS
9755	Shim, under Bearing Housings, for adjustment of Differential (.005" thick) (4HU-051/7)	45-32	As req'd	
9756	Shim, under Bearing Housings, for adjustment of Differential (.010" thick) (4HU-052/7)	45-31	As req'd	
9757	Shim, under Bearing Housings, for adjustment of Differential (.030" thick) (4HU-053/7)	45-31	As req'd	
8505	Bolt, securing Bearing Housings to Gear Carrier (7B-NC.24)	45-32	4	
9758	Bolt, securing Bearing Housings to Gear Carrier (7B-NC.28)	45-32A	6	

FINAL DRIVE UNIT

FITTED FROM CHASSIS NO. 1B.1001 TO 1B.3575
1B.25001 TO 1B.25510

Part No.	Description	Plate No.	No. per Unit	Remarks
FINAL DRIVE UNIT ASSEMBLY (4HU-001/45A) (RATIO 3.54:1) (Cont'd)				
8506	Lockwasher, on Bolts (7LW-13)	45-33	10	
8436	Oil Seal, in Bearing Housings, for Driving Flange (4HA-079/3)	45-34	2	
8500	Flange, on Drive Shafts (4HU-077)	45-35	2	
8496	Nut, securing Flanges to Drive Shafts (4HU-089/1)	45-36	2	
8498	Tab Washer, locking Nuts (4HU-091/1)	45-37	2	
8497	Special Washer, under Tab Washer (16W-28)	45-38	2	
8510	Bolt, in Flanges, for attachment of Brake Discs and Half Shafts (4HU-055/4)	45-39	8	
C.15349	Nut, Self-Locking, on Bolts (7LN-NF.75)	45-40	8	
C.17024	Bolt, securing Final Drive Unit to Rear Suspension Cross Member		4	
C.837	Wire, locking Bolts		As req'd	
C.25716	Breather for Final Drive Unit		1	SUPERSEDES C.23611/1 AND C.23611/2
6311	DIFFERENTIAL CASE ASSEMBLY (4HA-082/6)		1	FOR USE WITH 3.54:1 CROWN WHEEL AND PINION
6313	Case only, for Differential (4HA-006/4)	45-41	1	
3929	Gear, Side, for Differential (4HA-007)	45-42	2	
3855	Thrust Washer, for Side Gears (2HA-038)	45-43	2	
3835	Gear, Differential Pinion Mate (2HA-008/1)	45-44	2	
3854	Thrust Washer, for Pinion Mate Gears (2HA-037)	45-45	2	
3837	Shaft, for Pinion Mate Gears (2HA-012)	45-46	1	
3932	Spacer, on Shaft (4HA-033)	45-47	1	
3838	Pin, locking Pinion Mate Gear Shaft in Differential Case (2HA-013)	45-48	1	
C.23514	FINAL DRIVE UNIT ASSEMBLY (4HU-001/45B) (RATIO 3.77:1)		1	REQUIRED FOR CARS EXPORTED TO U.S.A. OR CANADA
6312	Differential Case Assembly (4HA-082/7)		1	
6306	Crown Wheel and Pinion (Ratio 3.77:1) (4HA-105/7A)		1	
	All other items are as for Final Drive Unit Assembly C.23513			
11097	DIFFERENTIAL CASE ASSEMBLY (4HU-082/3)		1	FOR USE WITH 3.77:1 CROWN WHEEL AND PINION
6314	Case only, for Differential (4HA-006/5)		1	
	All other items are as for Differential Case Assembly 6311			

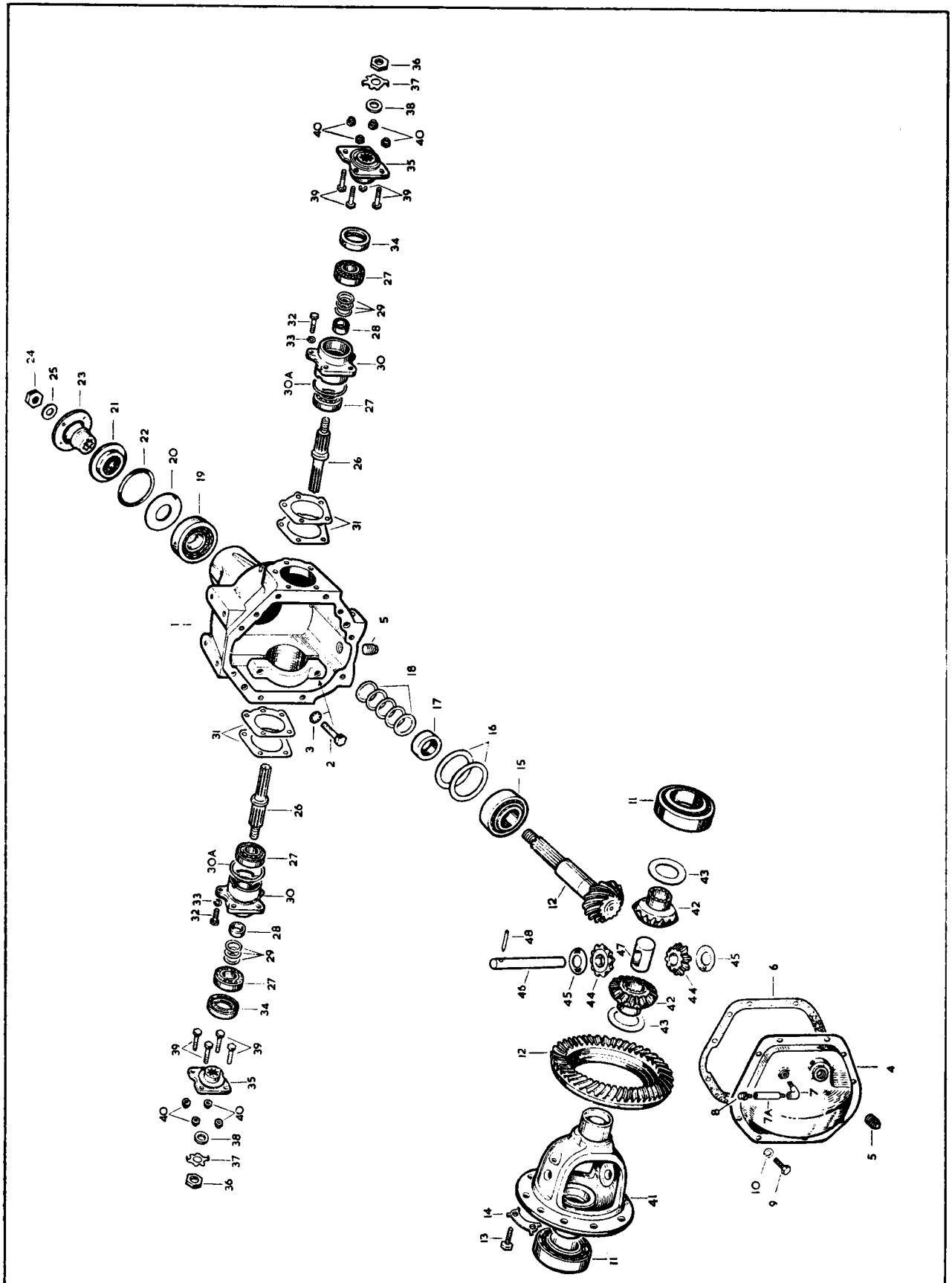


PLATE 45

3.8 LITRE STANDARD OR AUTOMATIC TRANSMISSION FINAL DRIVE UNIT

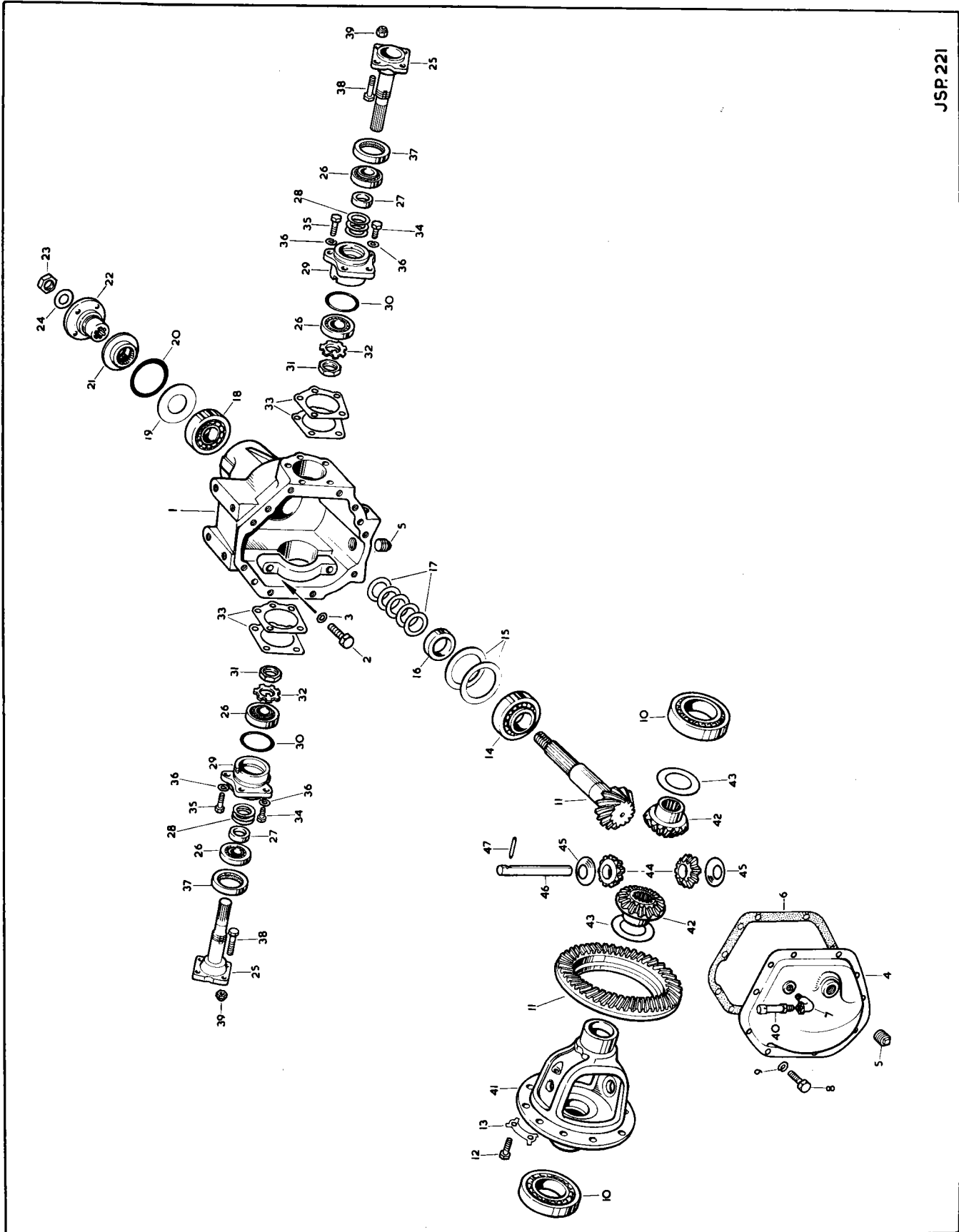
FITTED TO CHASSIS NO. 1B.3576 AND SUBS.
1B.25511 AND SUBS.

Part No.	Description	Plate No.	No. per Unit	Remarks
C.25848	FINAL DRIVE UNIT ASSEMBLY (4HU-001/50A) (RATIO 3.54:1)		1	NOT REQUIRED FOR CARS EXPORTED TO CANADA OR U.S.A.
9752	Gear Carrier Sub-Assembly (4HU-061/12)	46-1	1	
6114	Screw, Set, securing Differential Bearing Caps (8B-NC.36)	46-2	4	
8489	Lockwasher, on Setscrews (8LW-115)	46-3	4	
8507	Cover, for Carrier (4HA-010/9)	46-4	1	
3823	Plug, for Filler and Drain Apertures (HA-059)	46-5	2	
3931	Gasket, under Cover (4HA-026)	46-6	1	
8509	Elbow, in Cover (4HA-098/1)	46-7	1	
CS.131/5D	Screw, Set, securing Cover to Carrier (5B.NC.10)	46-8	10	
47	Lockwasher, on Setscrews (5LW-95)	46-9	10	
11096	Differential Case Assembly (4HU-082/2)		1	
3845	Roller Bearing, on Differential Case (Timken 25577-25523) (2HA-024)	46-10	2	
6305	Crown Wheel and Pinion (Ratio 3.54:1) (4HA-105/9A)	46-11	1	
6301	Screw, Set, securing Crown Wheel to Differential Case (3HA-075/6)	46-12	10	
6316	Lock Strap, securing Crown Wheel Setscrews (4HA-074/2)	46-13	5	
3844	Roller Bearing, at inner end of Pinion (Timken 31593-31520) (2HA-023)	46-14	1	
3860	Shim, inner, adjusting Pinion (.003" thick) (2HA-043)	46-15	As req'd	} SELECTIVE SIZES
3861	Shim, inner, adjusting Pinion (.005" thick) (2HA-044)	46-15	As req'd	
3862	Shim, inner, adjusting Pinion (.010" thick) (2HA-045)	46-15	As req'd	
8029	Distance Washer, behind outer Pinion Shims (4HA-115)	46-16	1	
3856	Shim, outer, adjusting Pinion (.003" thick) (2HA-039)	46-17	As req'd	} SELECTIVE SIZES
3857	Shim, outer, adjusting Pinion (.005" thick) (2HA-040)	46-17	As req'd	
3858	Shim, outer, adjusting Pinion (.010" thick) (2HA-041)	46-17	As req'd	
3859	Shim, outer, adjusting Pinion (.030" thick) (2HA-042)	46-17	As req'd	
3843	Roller Bearing, at outer end of Pinion (Timken 02872-02820) (2HA-022)	46-18	1	
3934	Oil Slinger, on Pinion (4HA-036)	46-19	1	
3840	Oil Seal, on Pinion (2HA-019)	46-20	1	
3841	Gasket, for Pinion Oil Seal (2HA-020)	46-21	1	
11098	Companion Flange (4HA-102/12)	46-22	1	
11099	Nut, securing Companion Flange to Pinion (12LN-NF.9B)	46-23	1	
6128	Washer, under Nut (12W-24)	46-24	1	
11100	Drive Shaft and Flange (4HU-005/8)	46-25	2	
11101	Roller Bearing, on Drive Shafts (Timken LM.48548- LM.48510) (4HU-025/1)	46-26	4	
11102	Spacing Collar, between Roller Bearings (4HU-018/2)	46-27	2	
11103	Shim, adjusting Bearings (.003" thick) (4HU-116/3)	46-28	As req'd	} SELECTIVE SIZES
11104	Shim, adjusting Bearings (.005" thick) (4HU-116/4)	46-28	As req'd	
11105	Shim, adjusting Bearings (.010" thick) (4HU-116/5)	46-28	As req'd	
11106	Housing, for Drive Shaft Bearings (4HU-014/5)	46-29	2	
8950	'O' Ring, on Housings (4HA-079/2)	46-30	2	
11107	Nut, securing Drive Shafts in Bearings (4HU-089/2)	46-31	2	
11108	Tab Washer, locking Nuts (4HU-091/2)	46-32	2	
9754	Shim, under Bearing Housings, for adjustment of Differential (.003" thick) (4HU-050/7)	46-33	As req'd	} SELECTIVE SIZES
9755	Shim, under Bearing Housings, for adjustment of Differential (.005" thick) (4HU-051/7)	46-33	As req'd	
9756	Shim, under Bearing Housings, for adjustment of Differential (.010" thick) (4HU-052/7)	46-33	As req'd	
9757	Shim, under Bearing Housings, for adjustment of Differential (.030" thick) (4HU-053/7)	46-33	As req'd	
8505	Bolt, securing Bearing Housings to Gear Carrier (7B-NC.24)	46-34	4	
9758	Bolt, securing Bearing Housings and Adaptor Plates to Gear Carrier (7B-NC.28)	46-35	6	
8506	Lockwasher, on Bolts (7LW-13)	46-36	10	
8436/A	Oil Seal, in Bearing Housings, for Driving Flange (4HA-079/4)	46-37	2	
8510	Bolt, in Flanges, for attachment of Brake Discs and Half Shafts (4HU-055/4)	46-38	8	
C.15349	Nut, Self-Locking, on Bolts (7LN-NF.75)	46-39	8	
C.17024	Bolt, securing Final Drive Unit to Rear Suspension Cross Member		4	
C.837	Wire, locking Bolts		As req'd	
C.25716	Breather, for Final Drive Unit	46-40	1	

3.4 LITRE STANDARD OR AUTOMATIC TRANSMISSION FINAL DRIVE UNIT

FITTED TO CHASSIS NO. 1B.3576 AND SUBS.
1B.25511 AND SUBS.

Part No.	Description	Plate No.	No. per Unit	Remarks
11096	DIFFERENTIAL CASE ASSEMBLY (4HU-082/2)		1	FOR USE WITH 3-54:1 CROWN WHEEL AND PINION
6313	Case only, for Differential (4HA-006/4)	46-41	1	
3929	Gear, Side, for Differential (4HA-007)	46-42	2	
3855	Thrust Washer, for Side Gears (2HA-038)	46-43	2	
3835	Gear, Differential Pinion Mate (2HA-008/1)	46-44	2	
3854	Thrust Washer, for Pinion Mate Gears (2HA-037)	46-45	2	
3837	Shaft, for Pinion Mate Gears (2HA-012)	46-46	1	
3838	Pin, locking Pinion Mate Gear Shaft in Differential Case (2HA-013)	46-47	1	



3.4 LITRE OVERDRIVE TRANSMISSION FINAL DRIVE UNIT

FITTED FROM CHASSIS NO. 1B.1001 TO 1B.3575
1B.25001 TO 1B.25510

Part No.	Description	Plate No.	No. per Unit	Remarks
C.23514	FINAL DRIVE UNIT ASSEMBLY (4HU-001/45B) (RATIO 3-77:1)		1	
9752	Gear Carrier Sub-Assembly (4HU-061/12)	47-1	1	
6114	Screw, Set, securing Differential Bearing Caps (8B-NC.36)	47-2	4	
8489	Lockwasher, on Setscrews (8LW-115)	47-3	4	
8507	Cover, for Carrier (4HA-010/9)	47-4	1	
3823	Plug, for Filler and Drain Apertures (HA-050)	47-5	2	
3931	Gasket, under Cover (4HA-026)	47-6	1	
8509	Elbow, in Cover (4HA-098/1)	47-7	1	} SUPERSEDED BY C.25716
C.23611/2	Extension, for Elbow (4HU-098/2)	47-7A	1	
C.23611/1	Breather, at top of Extension (3HA-098/3)	47-8	1	
CS.131/5D	Screw, Set, securing Cover to Carrier (5B-NC.10)	47-9	10	
47	Lockwasher, on Setscrews (5LW-95)	47-10	10	
11097	Differential Case Assembly (4HA-082/7)		1	
3845	Roller Bearing, on Differential Case (Timken 25577-25523) (2HA-024)	47-11	2	
6306	Crown Wheel and Pinion (Ratio 3-77:1) (4HA-105/7A)	47-12	1	
6301	Screw, Set, securing Crown Wheel to Differential Case (3HA-075/6)	47-13	10	
6316	Lockstrap, securing Crown Wheel Setscrews (4HA-074/2)	47-14	5	
3844	Roller Bearing, at inner end of Pinion (Timken 31593-31520) (2HA-023)	47-15	1	
3860	Shim, inner, adjusting Pinion (.003" thick) (2HA-043)	47-16	As req'd	} USE SHIMS OF DESIRED THICKNESS
3861	Shim, inner, adjusting Pinion (.005" thick) (2HA-044)	47-16	As req'd	
3862	Shim, inner, adjusting Pinion (.010" thick) (2HA-045)	47-16	As req'd	
8029	Distance Washer, behind outer Pinion Shims (4HA-115)	47-17	1	
3856	Shim, outer, adjusting Pinion (.003" thick) (2HA-039)	47-18	As req'd	} USE SHIMS OF DESIRED THICKNESS
3857	Shim, outer, adjusting Pinion (.005" thick) (2HA-040)	47-18	As req'd	
3858	Shim, outer, adjusting Pinion (.010" thick) (2HA-041)	47-18	As req'd	
3859	Shim, outer, adjusting Pinion (.030" thick) (2HA-042)	47-18	As req'd	
3843	Roller Bearing, at outer end of Pinion (Timken 02872-02820) (2HA-022)	47-19	1	
3924	Oil Slinger, on Pinion (4HA-036)	47-20	1	
3840	Oil Seal, on Pinion (2HA-019)	47-21	1	
3841	Gasket, for Pinion Oil Seal (2HA-020)	47-22	1	
3879	Companion Flange Assembly (2HA-083)	47-23	1	
6126	Nut, securing Companion Flange to Pinion (12LN- NF.9)	47-24	1	
6128	Washer, under Nut (12W-24)	47-25	1	
8494	Drive Shaft (4HU-005/4)	47-26	2	
8495	Roller Bearing, on Drive Shafts (4HU-025)	47-27	4	
8493	Spacing Collar, between Roller Bearings (4HU-018)	47-28	2	
8490	Shim, adjusting Bearings (.003" thick) (4HU-116)	47-29	As req'd	} USE SHIMS OF DESIRED THICKNESS
8491	Shim, adjusting Bearings (.005" thick) (4HU-116/1)	47-29	As req'd	
8492	Shim, adjusting Bearings (.010" thick) (4HU-116/2)	47-29	As req'd	
8499	Housing, for Drive Shaft Bearings (4HU-014/1)	47-30	2	
8950	'O' Ring, on Housings (4HA-079/2)	47-30A	2	
9754	Shim, under Bearing Housings, for adjustment of Differential (.003" thick) (4HU-050/7)	47-31	As req'd	} USE SHIMS OF DESIRED THICKNESS
9755	Shim, under Bearing Housings, for adjustment of Differential (.005" thick) (4HU-051/7)	47-31	As req'd	
9756	Shim, under Bearing Housings, for adjustment of Differential (.010" thick) (4HU-052/7)	47-31	As req'd	
9757	Shim, under Bearing Housings, for adjustment of Differential (.030" thick) (4HU-053/7)	47-31	As req'd	
8505	Bolt, securing Bearing Housings to Gear Carrier (7B-NC.24)	47-32	4	
9758	Bolt, securing Bearing Housings to Gear Carrier (7B-NC.28)	47-32A	6	
8506	Lockwasher, on Bolts (7LW-13)	47-33	10	
8436	Oil Seal, in Bearing Housings, for Driving Flange (4HA-079/3)	47-34	2	
8500	Flange, on Drive Shafts (4HU-077)	47-35	2	
8496	Nut, securing Flanges to Drive Shafts (4HU-089/1)	47-36	2	
8498	Tab Washer, locking Nuts (4HU-091/1)	47-37	2	
8497	Special Washer, under Tab Washers (16W-28)	47-38	2	
8510	Bolt, in Flanges, for attachment of Brake Discs and Half Shafts (4HU-055/4)	47-39	8	
C.15349	Nut, Self-Locking, on Bolts (7LN-NF.75)	47-40	8	

3.4 LITRE OVERDRIVE TRANSMISSION FINAL DRIVE UNIT

FITTED FROM CHASSIS NO. 1B.1001 TO 1B.3575
1B.25001 TO 1B.25510

Part No.	Description	Plate No.	No. per Unit	Remarks
FINAL DRIVE UNIT ASSEMBLY (4HU-001/45B) (RATIO 3-77:1) (Cont'd)				
C.17024	Bolt, securing Final Drive Unit to Rear Suspension Cross Member		4	
C.837	Wire, locking Bolts		As req'd	
C.25716	Breather, for Final Drive Unit		1	SUPERSEDES C.23611/1 AND C.23611/2
DIFFERENTIAL CASE ASSEMBLY (4HA-082/7)				
6312			1	
6314	Case only, for Differential (4HA-006/5)	47-41	1	
3929	Gear, Side, for Differential (4HA-007)	47-42	2	
3855	Thrust Washer, for Side Gears (2HA-038)	47-43	2	
3835	Gear, Differential Pinion Mate (2HA-008/1)	47-44	2	
3854	Thrust Washer, for Pinion Mate Gears (2HA-037)	47-45	2	
3837	Shaft, for Pinion Mate Gears (2HA-012)	47-46	1	
3932	Spacer, on Shaft (4HA-033)	47-47	1	
3838	Pin, locking Pinion Mate Gear Shaft in Differential Case (2HA-013)	47-48	1	

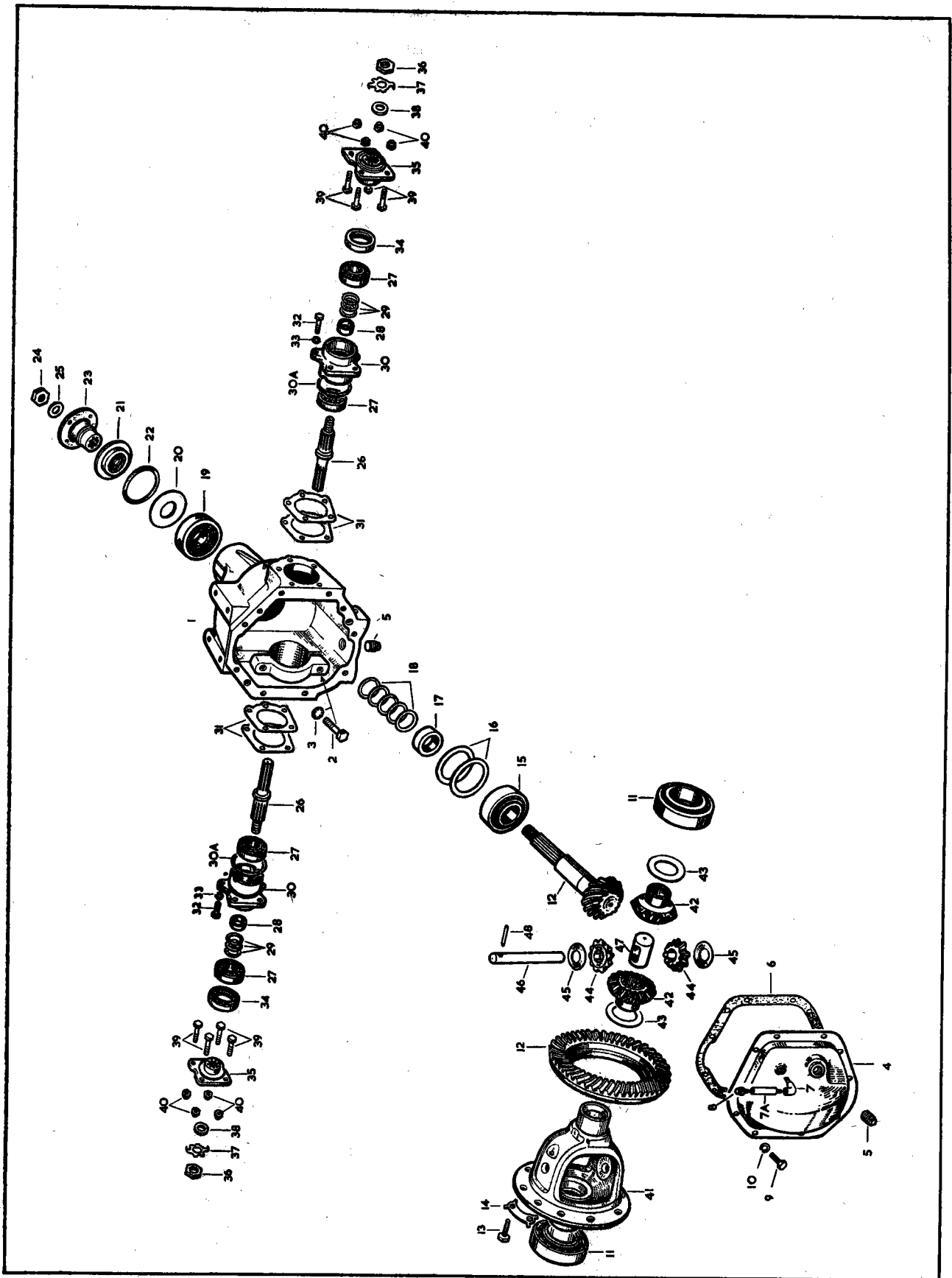


PLATE 47

3.4 LITRE OVERDRIVE TRANSMISSION FINAL DRIVE UNIT

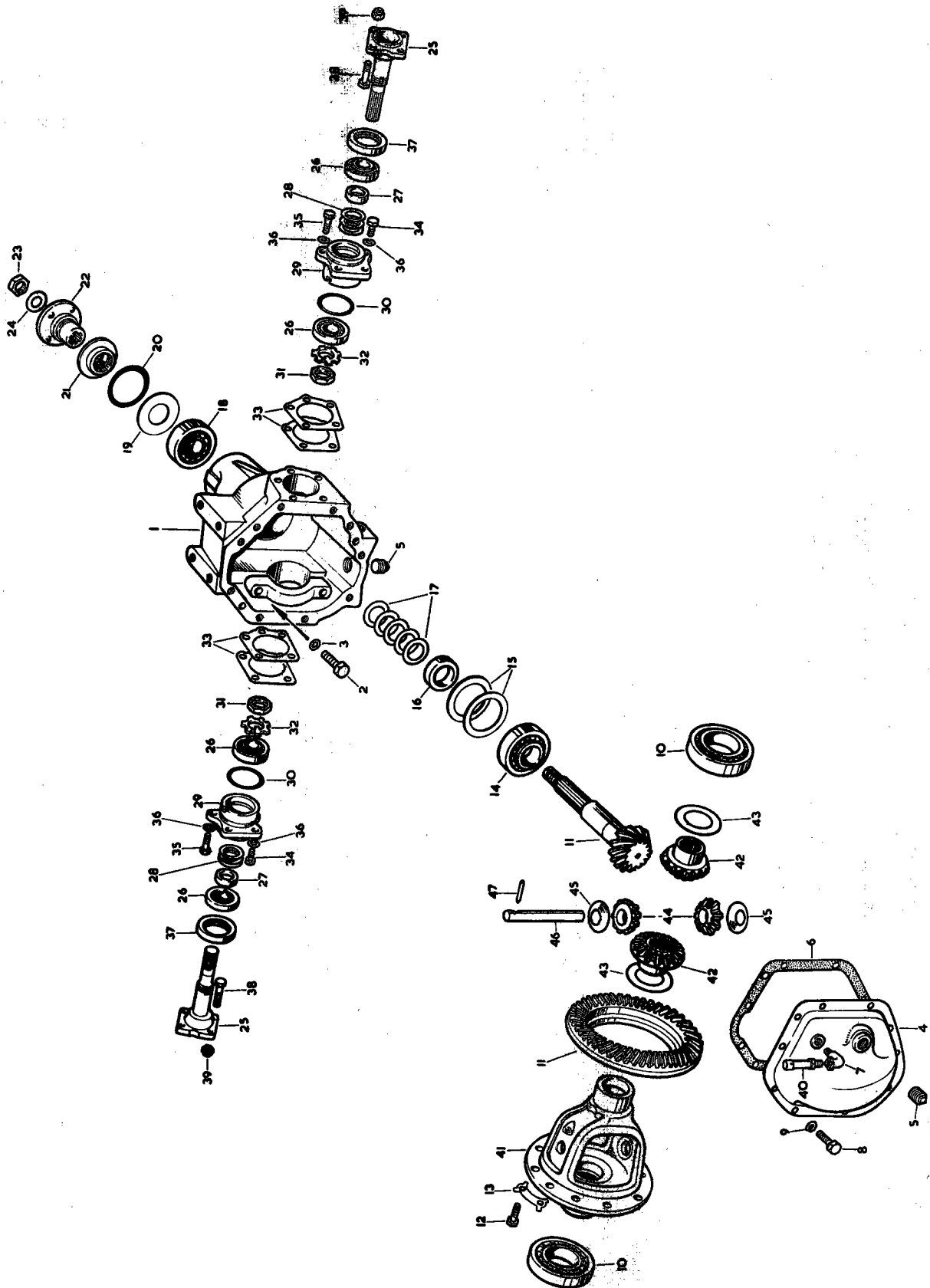
FITTED TO CHASSIS NO. 1B.3576 AND SUBS.
1B.25511 AND SUBS

Part No	Description	Plate No	No. per Unit	Remarks
C.25849	FINAL DRIVE UNIT ASSEMBLY (4HU-001/50B) (RATIO 3.77:1)		1	
9752	Gear Carrier Sub-Assembly (4HU-061/12)	48-1	1	
6114	Screw, Set, securing Differential Bearing Caps (8B-NC.36)	48-2	4	
8489	Lockwasher, on Setscrews (8LW-115)	48-3	4	
8507	Cover, for Carrier (4HA-010/9)	48-4	1	
3823	Plug, for Filler and Drain Apertures (HA-059)	48-5	2	
3931	Gasket, under Cover (4HA-026)	48-6	1	
8508	Elbow, in Cover (4HA-098/1)	48-7	1	
CS.131/5D	Screw, Set, securing Cover to Carrier (5B-NC.10)	48-8	10	
47	Lockwasher, on Setscrews (5LW-95)	48-9	10	
11097	Differential Case Assembly (4HU-082/3)		1	
3845	Roller Bearing, on Differential Case (Timken 25577-25523) (2HA-024)	48-10	2	
6306	Crown Wheel and Pinion (Ratio 3.77:1) (4HA-105/7A)	48-11	1	
6301	Screw, Set, securing Crown Wheel to Differential Case (3HA-075/6)	48-12	10	
6316	Lock Strap, securing Crown Wheel Setscrews (4HA-074/2)	48-13	5	
3844	Roller Bearing, at inner end of Pinion (Timken 31593-31520) (2HA-023)	48-14	1	
3860	Shim, inner, adjusting Pinion (-003" thick) (2HA-043)	48-15	As req'd	} SELECTIVE SIZES
3861	Shim, inner, adjusting Pinion (-005" thick) (2HA-044)	48-15	As req'd	
3862	Shim, inner, adjusting Pinion (-010" thick) (2HA-045)	48-15	As req'd	
8029	Distance Washer, behind outer Pinion Shims (4HA-115)	48-16	1	
3856	Shim, outer, adjusting Pinion (-003" thick) (2HA-039)	48-17	As req'd	} SELECTIVE SIZES
3857	Shim, outer, adjusting Pinion (-005" thick) (2HA-040)	48-17	As req'd	
3858	Shim, outer, adjusting Pinion (-010" thick) (2HA-041)	48-17	As req'd	
3859	Shim, outer, adjusting Pinion (-030" thick) (2HA-042)	48-17	As req'd	
3843	Roller Bearing, at outer end of Pinion (Timken 02872-02820) (2HA-022)	48-18	1	
3934	Oil Slinger, on Pinion (4HA-036)	48-19	1	
3840	Oil Seal, on Pinion (2HA-019)	48-20	1	
3841	Gasket, for Pinion Oil Seal (2HA-020)	48-21	1	
11098	Companion Flange (4HA-102/12)	48-22	1	
11099	Nut, securing Companion Flange to Pinion (12LN-NF.9B)	48-23	1	
6128	Washer, under Nut (12W-24)	48-24	1	
11100	Drive Shaft and Flange (4HU-005/8)	48-25	2	
11101	Roller Bearing, on Drive Shafts (Timken LM.48548-LM.48510) (4HU-025/1)	48-26	4	
11102	Spacing Collar, between Roller Bearings (4HU-018/2)	48-27	2	
11103	Shim, adjusting Bearings (-003" thick) (4HU-116/3)	48-28	As req'd	} SELECTIVE SIZES
11104	Shim, adjusting Bearings (-005" thick) (4HU-116/4)	48-28	As req'd	
11105	Shim, adjusting Bearings (-010" thick) (4HU-116/5)	48-28	As req'd	
11106	Housing, for Drive Shaft Bearings (4HU-014/5)	48-29	2	
8950	'O' Ring, on Housings (4HA-079/2)	48-30	2	
11107	Nut, securing Drive Shafts in Bearings (4HU-069/2)	48-31	2	
11108	Tab Washer, locking Nuts (4HU-091/2)	48-32	2	
9754	Shim, under Bearing Housings, for adjustment of Differential (-003" thick) (4HU-050/7)	48-33	As req'd	} SELECTIVE SIZES
9755	Shim, under Bearing Housings, for adjustment of Differential (-005" thick) (4HU-051/7)	48-33	As req'd	
9756	Shim, under Bearing Housings, for adjustment of Differential (-010" thick) (4HU-052/7)	48-33	As req'd	
9757	Shim, under Bearing Housings, for adjustment of Differential (-030" thick) (4HU-053/7)	48-33	As req'd	
8505	Bolt, securing Bearing Housings to Gear Carrier (7B-NC.24)	48-34	4	
9758	Bolt, securing Bearing Housings and Adaptor Plates to Gear Carrier (7B-NC.28)	48-35	6	
8506	Lockwasher, on Bolts (7LW-13)	48-36	10	
8436/A	Oil Seal, in Bearing Housings, for Driving Flange (4HA-079/4)	48-37	2	
8510	Bolt, in Flanges, for attachment of Brake Discs and Half Shafts (4HU-055/4)	48-38	8	
C.15349	Nut, Self Locking, on Bolts (7LN-NF.75)	48-39	8	
C.17024	Bolt, securing Final Drive Unit to Rear Suspension Cross Member		4	
C.837	Wire, locking Bolts		As req'd	
C.25716	Breather, for Final Drive Unit	48-40	1	

3.4 LITRE OVERDRIVE TRANSMISSION FINAL DRIVE UNIT

FITTED TO CHASSIS NO. 1B.3576 AND SUBS.
1B.25511 AND SUBS.

Part No.	Description	Plate No.	No. per Unit	Remarks
11097	DIFFERENTIAL CASE ASSEMBLY (4HU-082/3)		1	FOR USE WITH 3-77:1 CROWN WHEEL AND PINION
6314	Case only, for Differential (4HA-006/5)	48-41	1	
3929	Gear, Side, for Differential (4HA-007)	48-42	2	
3855	Thrust Washer, for Side Gears (2HA-038)	48-43	2	
3835	Gear, Differential Pinion Mate (2HA-008/1)	48-44	2	
3854	Thrust Washer, for Pinion Mate Gears (2HA-037)	48-45	2	
3837	Shaft, for Pinion Mate Gears (2HA-012)	48-46	1	
3838	Pin, locking Pinion Mate Gear Shaft in Differential Case (2HA-013)	48-47	1	



3.8 LITRE STANDARD OR AUTOMATIC TRANSMISSION

FINAL DRIVE UNIT

WITH THORNTON 'POWR-LOK' DIFFERENTIAL

FITTED FROM CHASSIS NO. 1B.50001 TO 1B.53891

1B.75001 TO 1B.77576

Part No.	Description	Plate No.	No. per Unit	Remarks
C.20432	FINAL DRIVE UNIT ASSEMBLY (14HU-001/27A) (RATIO 3-54:1)		1	NOT REQUIRED FOR CARS EXPORTED TO U.S.A. OR CANADA ALSO SUPPLIED TO SPECIAL ORDER ONLY, FOR 3-4 LITRE CARS
9752	Gear Carrier Sub-Assembly (4HU-061/12)	49-1	1	
6114	Screw, Set, securing Differential Bearing Caps (8B-NC.36)	49-2	4	
8489	Lockwasher, on Setscrews (8LW-115)	49-3	4	
8507	Cover, for Carrier (4HA-010/9)	49-4	1	
3823	Plug, for Filler and Drain Apertures (HA-059)	49-5	2	
3931	Gasket, under Cover (4HA-026)	49-6	1	
8509	Elbow, in Cover (4HA-098/1)	49-7	1	
C.23611/2	Extension, for Elbow (4HU-098/2)	49-7A	1	} SUPERSEDED BY C.25716
C.23611/1	Breather, at top of Extension (3HA-098/3)	49-8	1	
CS.131/5D	Screw, Set, securing Cover to Carrier (5B-NC.10)	49-9	10	
47	Lockwasher, on Setscrews (5LW-95)	49-10	10	
8488	Differential Case Assembly (4HU-082/8)		1	
3845	Roller Bearing, on Differential Case (Timken 25577-25523) (2HA-024)	49-11	2	
6305	Crown Wheel and Pinion (Ratio 3-54:1) (4HA-105/9A)	49-12	1	
6301	Screw, Set, securing Crown Wheel to Differential Case (3HA-075/6)	49-13	10	
7384	Lock Strap, securing Crown Wheel Setscrews (4HA-074/4)	49-14	5	
3844	Roller Bearing, at inner end of Pinion (Timken 31593-31520) (2HA-023)	49-15	1	
3860	Shim, inner, adjusting Pinion (.003" thick) (2HA-043)	49-16	As req'd	} USE SHIMS OF DESIRED THICKNESS
3861	Shim, inner, adjusting Pinion (.005" thick) (2HA-044)	49-16	As req'd	
3862	Shim, inner, adjusting Pinion (.010" thick) (2HA-045)	49-16	As req'd	
8029	Distance Washer, behind Outer Pinion Shims (4HA-115)	49-17	1	
3856	Shim, outer, adjusting Pinion (.003" thick) (2HA-039)	49-18	As req'd	} USE SHIMS OF DESIRED THICKNESS
3857	Shim, outer, adjusting Pinion (.005" thick) (2HA-040)	49-18	As req'd	
3858	Shim, outer, adjusting Pinion (.010" thick) (2HA-041)	49-18	As req'd	
3859	Shim, outer, adjusting Pinion (.030" thick) (2HA-042)	49-18	As req'd	
3843	Roller Bearing, at outer end of Pinion (Timken 02872-02820) (2HA-022)	49-19	1	
3934	Oil Slinger, on Pinion (4HA-036)	49-20	1	
3840	Oil Seal, on Pinion (2HA-019)	49-21	1	
3841	Gasket, for Pinion Oil Seal (2HA-020)	49-22	1	
3879	Companion Flange Assembly (2HA-083)	49-23	1	
6126	Nut, securing Companion Flange to Pinion (12LN-NF.9)	49-24	1	
6128	Washer, under Nuts (12W-24)	49-25	1	
8494	Drive Shaft (4HU-005/4)	49-26	2	
8495	Roller Bearing, on Drive Shafts (4HU-025)	49-27	4	
8493	Spacing Collar, between Roller Bearings (4HU-018)	49-28	2	
8490	Shim, adjusting Bearings (.003" thick) (4HU-116)	49-29	As req'd	} USE SHIMS OF DESIRED THICKNESS
8491	Shim, adjusting Bearings (.005" thick) (4HU-116/1)	49-29	As req'd	
8492	Shim, adjusting Bearings (.010" thick) (4HU-116/2)	49-29	As req'd	
8499	Housing, for Drive Shaft Bearings (4HU-014/1)	49-30	2	
8950	'O' Ring, on Housings (4HA-079/2)	49-30A	2	
9754	Shim, under Bearing Housings, for adjustment of Differential (.003" thick) (4HU-050/7)	49-31	As req'd	} USE SHIMS OF DESIRED THICKNESS
9755	Shim, under Bearing Housings, for adjustment of Differential (.005" thick) (4HU-051/7)	49-31	As req'd	
9756	Shim, under Bearing Housings, for adjustment of Differential (.010" thick) (4HU-052/7)	49-31	As req'd	
9757	Shim, under Bearing Housings, for adjustment of Differential (.030" thick) (4HU-053/7)	49-31	As req'd	
8505	Bolt, securing Bearing Housings to Gear Carrier (7B-NC.24)	49-32	4	
9758	Bolt, securing Bearing Housings to Gear Carrier (7B-NC.28)	49-32A	6	
8506	Lockwasher, on Bolts (7LW-13)	49-33	10	
8436	Oil Seal, in Bearing Housings, for Driving Flange (4HA-079/3)	49-34	2	
8500	Flange, on Drive Shafts (4HU-077)	49-35	2	
8496	Nut, securing Flanges to Drive Shafts (4HU-089/1)	49-36	2	
8498	Tab Washer, locking Nuts (4HU-091)	49-37	2	
8497	Special Washer, under Tab Washers (16W-28)	49-38	2	
8510	Bolt, in Flanges, for attachment of Brake Discs and Half Shafts (4HU-055/4)	49-39	8	
C.15349	Nut, Self-Locking, on Bolts (7LN-NF.75)	49-40	8	

3.8 LITRE STANDARD OR AUTOMATIC TRANSMISSION

FINAL DRIVE UNIT

WITH THORNTON 'POWR-LOK' DIFFERENTIAL

FITTED FROM CHASSIS NO. 1B.50001 TO 1B.53891

1B.75001 TO 1B.77576

Part No.	Description	Plate No.	No. per Unit	Remarks
FINAL DRIVE UNIT ASSEMBLY (Cont'd)				
C.17024	Bolt, securing Final Drive Unit to Rear Suspension Cross Member		4	
C.837	Wire, locking Bolts		As req'd	
C.27516	Breather, for Final Drive Unit		1	SUPERSEDES C.23611/1 AND C.23611/2
DIFFERENTIAL CASE ASSEMBLY (4HU-082/8)				
8488			1	FOR USE WITH 3-54:1 CROWN WHEEL AND PINION
7887	Case only, for Differential (4HA-006/9)	49-41	2 halves	
7683	Friction Plate (flat) (4HA-111/3)	49-42	4	
8397	Friction Plate (dished) (4HA-111/4)	49-43	2	
7684	Friction Disc (4HA-112)	49-44	4	
7682	Ring, for Side Gears (4HA-109/1)	49-45	2	
7681	Side Gear (4HA-007/1)	49-46	2	
7685	Pinion Mate Gears (4HA-008)	49-47	4	
7686	Shaft, for Pinion Mate Gears (4HA-012/1)	49-48	2 halves	
7680	Bolt, securing Differential Casing (6B-NC.44)	49-49	8	
FINAL DRIVE UNIT ASSEMBLY (4HU-001/27) (RATIO 3-77:1)				
C.20431			1	REQUIRED FOR CARS EXPORTED TO U.S.A. OR CANADA, ALSO SUPPLIED TO SPECIAL ORDER ONLY, FOR 3-4 LITRE CARS
9208	Differential Case Assembly (4HU-082/9)		1	
6306	Crown Wheel and Pinion (Ratio 3-77:1) (4HA-105/7A)		1	
All other items are as for Final Drive Unit Assembly C.20432				
DIFFERENTIAL CASE ASSEMBLY (4HU-082/9)				
9208			1	FOR USE WITH 3-77:1 CROWN WHEEL AND PINION
7888	Case only, for Differential (4HA-006/10)		2 halves	
All other items are as for Differential Case Assembly 8488				

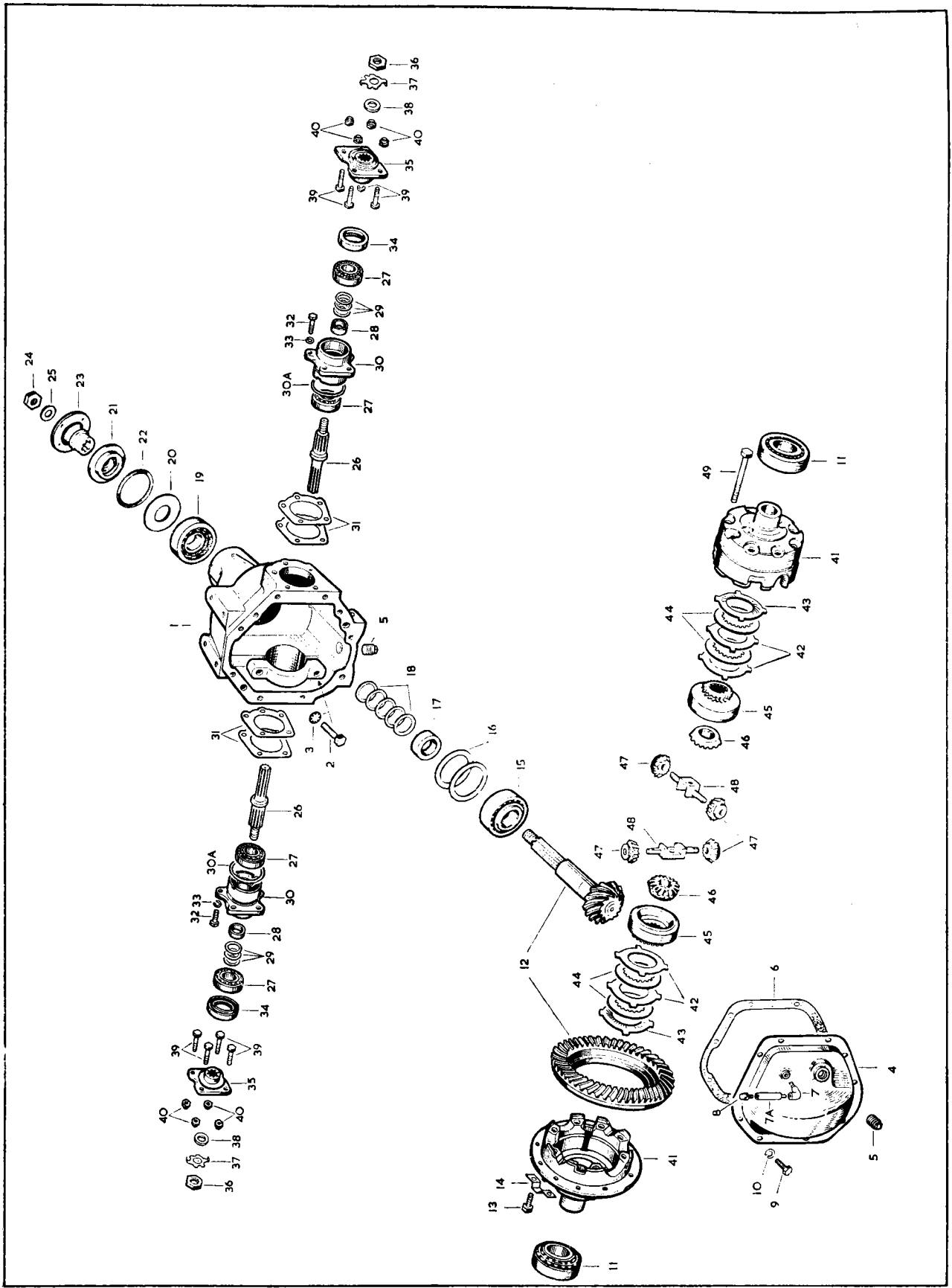


PLATE 49

3.8 LITRE STANDARD OR AUTOMATIC TRANSMISSION FINAL DRIVE UNIT WITH THORNTON 'POWR-LOK' DIFFERENTIAL

FITTED TO CHASSIS NO. 1B.53892 AND SUBS.
1B.77577 AND SUBS.

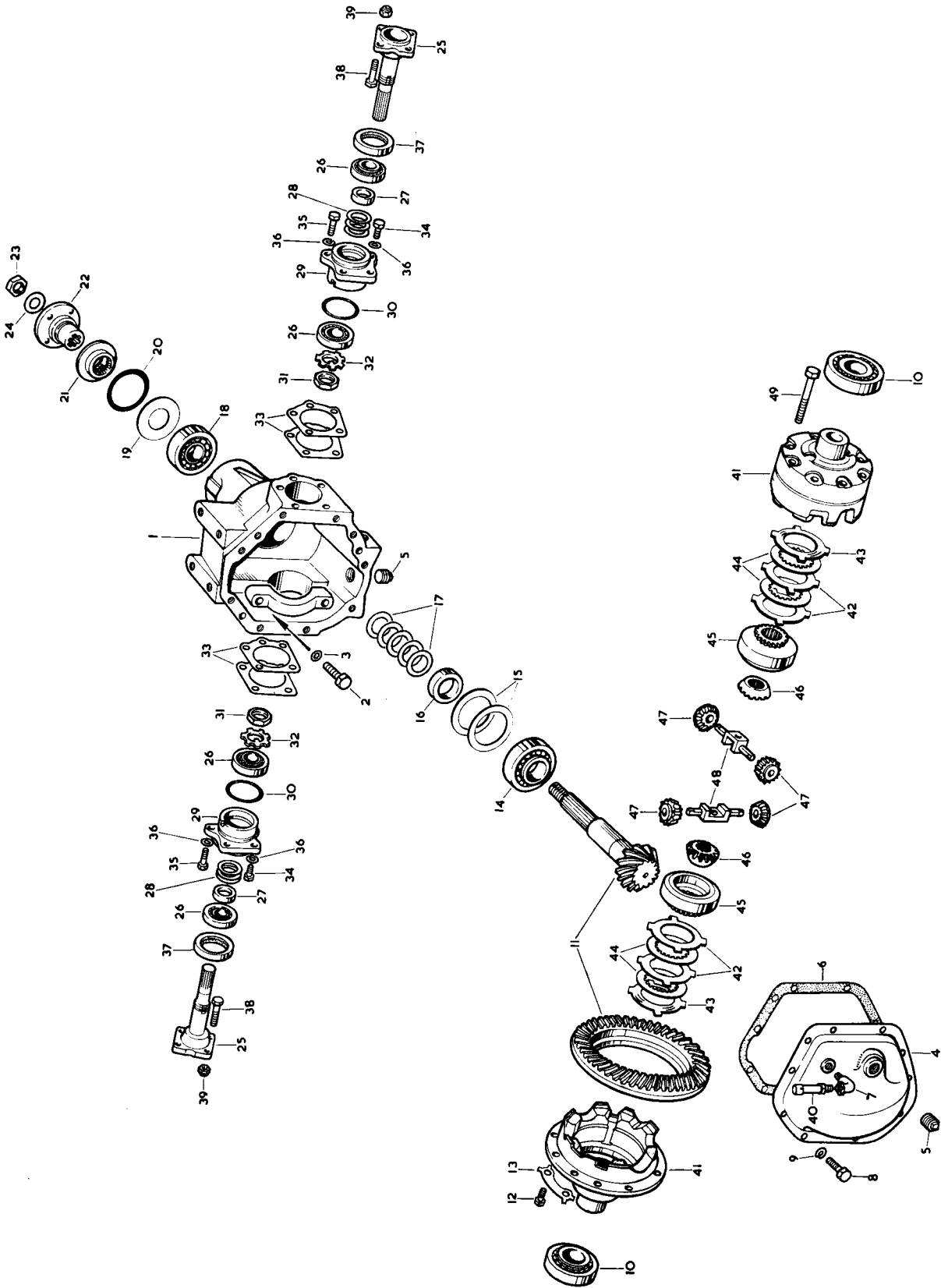
Part No.	Description	Plate No.	No. per Unit	Remarks
C.25841	FINAL DRIVE UNIT ASSEMBLY (4HU-001/35A) (RATIO 3.54:1)		1	NOT REQUIRED FOR CARS EXPORTED TO CANADA OR U.S.A.
9752	Gear Carrier Sub-Assembly (4HU-061/12)	50-1	1	
6114	Screw, Set, securing Differential Bearing Caps (8B-NC.36)	50-2	4	
8489	Lockwasher, on Setscrews (8LW-115)	50-3	4	
8507	Cover, for Carrier (4HA-010/9)	50-4	1	
3823	Plug, for Filler and Drain Apertures (HA-059)	50-5	2	
3931	Gasket, under Cover (4HA-026)	50-6	1	
8509	Elbow, in Cover (4HA-098/1)	50-7	1	
CS.131/5D	Screw, Set, securing Cover to Carrier (5B-NC.10)	50-8	10	
47	Lockwasher, on Setscrews (5LW-95)	50-9	10	
8488	Differential Case Assembly (4HU-082/8)		1	
3845	Roller Bearing, on Differential Case (Timken 25577-25523) (2HA-024)	50-10	2	
6305	Crown Wheel and Pinion (Ratio 3.54:1) (4HA- 105/9A)	50-11	1	
6301	Screw, Set, securing Crown Wheel to Differential Case (3HA-075/6)	50-12	10	
6316	Lock Strap, securing Crown Wheel Setscrews (4HA- 074/2)	50-13	5	
3844	Roller Bearing, at inner end of Pinion (Timken 31593-31520) (2HA-023)	50-14	1	
3860	Shim, inner, adjusting Pinion (.003" thick) (2HA-043)	50-15	As req'd	} SELECTIVE SIZES
3861	Shim, inner, adjusting Pinion (.005" thick) (2HA-044)	50-15	As req'd	
3862	Shim, inner, adjusting Pinion (.010" thick) (2HA-045)	50-15	As req'd	
8029	Distance Washer, behind outer Pinion Shims (4HA-115)	50-16	1	
3856	Shim, outer, adjusting Pinion (.003" thick) (2HA-039)	50-17	As req'd	} SELECTIVE SIZES
3857	Shim, outer, adjusting Pinion (.005" thick) (2HA-040)	50-17	As req'd	
3858	Shim, outer, adjusting Pinion (.010" thick) (2HA-041)	50-17	As req'd	
3859	Shim, outer, adjusting Pinion (.030" thick) (2HA-042)	50-17	As req'd	
3843	Roller Bearing, at outer end of Pinion (Timken 02872-02820) (2HA-022)	50-18	1	
3934	Oil Slinger, on Pinion (4HA-036)	50-19	1	
3840	Oil Seal, on Pinion (2HA-019)	50-20	1	
3841	Gasket, for Pinion Oil Seal (2HA-020)	50-21	1	
11098	Companion Flange (4HA-102/12)	50-22	1	
11099	Nut, securing Companion Flange to Pinion (12LN-NF.9B)	50-23	1	
6128	Washer, under Nut (12W-24)	50-24	1	
11100	Drive Shaft and Flange (4HU-005/8)	50-25	2	
11101	Roller Bearing, on Drive Shaft (Timken LM.48548- LM.48510) (4HU-025/1)	50-26	4	
11102	Spacing Collar, between Roller Bearings (4HU-018/2)	50-27	2	
11103	Shim, adjusting Bearings (.003" thick) (4HU-116/3)	50-28	As req'd	} SELECTIVE SIZES
11104	Shim, adjusting Bearings (.005" thick) (4HU-116/4)	50-28	As req'd	
11105	Shim, adjusting Bearings (.010" thick) (4HU-116/5)	50-28	As req'd	
11106	Housing, for Drive Shaft Bearings (4HU-014/5)	50-29	2	
8950	'O' Ring, on Housings (4HA-079/2)	50-30	2	
11107	Nut, securing Drive Shafts in Bearings (4HU-089/2)	50-31	2	
11108	Tab Washer, locking Nuts (4HU-091/2)	50-32	2	
9754	Shim, under Bearing Housings, for adjustment of Differential (.003" thick) (4HU-050/7)	50-33	As req'd	} SELECTIVE SIZES
9755	Shim, under Bearing Housings, for adjustment of Differential (.005" thick) (4HU-051/7)	50-33	As req'd	
9756	Shim, under Bearing Housings, for adjustment of Differential (.010" thick) (4HU-052/7)	50-33	As req'd	
9757	Shim, under Bearing Housings, for adjustment of Differential (.030" thick) (4HU-053/7)	50-33	As req'd	
8505	Bolt, securing Bearing Housings to Gear Carrier (7B-NC.24)	50-34	4	
9758	Bolt, securing Bearing Housings and Adaptor Plates to Gear Carrier (7B-NC.28)	50-35	6	
8506	Lockwasher, on Bolts (7LW-13)	50-36	10	
8436/A	Oil Seal, in Bearing Housings, for Driving Flange (4HA-079/4)	50-37	2	
8510	Bolt, in Flanges, for attachment of Brake Discs and and Half Shafts (4HU-055/4)	50-38	8	
C.15349	Nut, Self-Locking, on Bolts (7LN-NF.75)	50-39	8	
C.17024	Bolt, securing Final Drive Unit to Rear Suspension Cross Member		4	
C.837	Wire, locking Bolts		As req'd	
C.25716	Breather, for Final Drive Unit	50-40	1	

3.8 LITRE STANDARD OR AUTOMATIC TRANSMISSION FINAL DRIVE UNIT

WITH THORNTON 'POWR-LOK' DIFFERENTIAL

FITTED TO CHASSIS NO. 1B.53892 AND SUBS.
1B.77577 AND SUBS.

Part No.	Description	Plate No.	No. per Unit	Remarks
8488	DIFFERENTIAL CASE ASSEMBLY (4HU-082/8)		1	FOR USE WITH 3-54:1 CROWN WHEEL AND PINION
7887	Case only, for Differential (4HA-006/9)	50-41	2 halves	
7683	Friction Plate (flat) (4HA-111/3)	50-42	4	
8397	Friction Plate (dished) (4HA-111/4)	50-43	2	
7684	Friction Disc (4HA-112)	50-44	4	
7682	Ring, for Side Gears (4HA-109/1)	50-45	2	
7681	Side Gear (4HA-007/1)	50-46	2	
7685	Pinion Mate Gears (4HA-008)	50-47	4	
7686	Shaft, for Pinion Mate Gears (4HA-012/1)	50-48	2 halves	
7680	Bolt, securing Differential Casing (6B-NC.44)	50-49	8	



3.8 LITRE OVERDRIVE TRANSMISSION FINAL DRIVE UNIT WITH THORNTON 'POWR-LOK' DIFFERENTIAL

FITTED FROM CHASSIS NO. 1B.50001 TO 1B.53891
1B.75001 TO 1B.77576

Part No.	Description	Plate No.	No. per Unit	Remarks
C.20431	FINAL DRIVE UNIT ASSEMBLY (4HU-001/27) (RATIO 3-77:1)		1	ALSO SUPPLIED TO SPECIAL ORDER ONLY, FOR 3-4 LITRE CARS
9752	Gear Carrier Assembly (4HU-061/12)	51-1	1	
6114	Screw, Set, securing Differential Bearing Caps (8B-NC.36)	51-2	4	
8489	Lockwasher, on Setscrews (8LW-115)	51-3	4	
8507	Cover, for Carrier (4HA-010/9)	51-4	1	
3823	Plug, for Filler and Drain Apertures (HA-059)	51-5	2	
3931	Gasket, under Cover (4HA-026)	51-6	1	
8509	Elbow, in Cover (4HA-098/1)	51-7	1	} SUPERSEDED BY C.25716
C.23611/2	Extension, for Elbow (4HU-098/2)	51-7A	1	
C.23611/1	Breather, at top of Extension (3HA-098/3)	51-8	1	
CS.131/5D	Screw, Set, securing Cover to Carrier (5B-NC.10)	51-9	10	
47	Lockwasher, on Setscrews (5LW-95)	51-10	10	
9208	Differential Case Assembly (4HU-082/9)		1	
3845	Roller Bearing, on Differential Case (Timken 25577-25523) (2HA-024)	51-11	2	
6306	Crown Wheel and Pinion (Ratio 3-77:1) (4HA-105/7A)	51-12	1	
6301	Screw, Set, securing Crown Wheel to Differential Case (3HA-075/6)	51-13	10	
7384	Lock Strap, securing Crown Wheel Setscrews (4HA-074/4)	51-14	5	
3844	Roller Bearing, at inner end of Pinion (Timken 31593-31520) (2HA-023)	51-15	1	
3860	Shim, inner, adjusting Pinion (.003" thick) (2HA-043)	51-16	As req'd	} USE SHIMS OF DESIRED THICKNESS
3861	Shim, inner, adjusting Pinion (.005" thick) (2HA-044)	51-16	As req'd	
3862	Shim, inner, adjusting Pinion (.010" thick) (2HA-045)	51-16	As req'd	
8029	Distance Washer, behind outer Pinion Shims (4HA-115)	51-17	1	
3856	Shim, outer, adjusting Pinion (.003" thick) (2HA-039)	51-18	As req'd	} USE SHIMS OF DESIRED THICKNESS
3857	Shim, outer, adjusting Pinion (.005" thick) (2HA-040)	51-18	As req'd	
3858	Shim, outer, adjusting Pinion (.010" thick) (2HA-041)	51-18	As req'd	
3859	Shim, outer, adjusting Pinion (.030" thick) (2HA-042)	51-18	As req'd	
3843	Roller Bearing, at outer end of Pinion (Timken 02872-02820) (2HA-022)	51-19	1	
3934	Oil Slinger, on Pinion (4HA-036)	51-20	1	
3840	Oil Seal, on Pinion (2HA-019)	51-21	1	
3841	Gasket, for Pinion Oil Seal (2HA-020)	51-22	1	
3879	Companion Flange Assembly (2HA-083)	51-23	1	
6126	Nut, securing Companion Flange to Pinion (12LN-NF.9)	51-24	1	
6128	Washer, under Nut (12W-24)	51-25	1	
8494	Drive Shaft (4HU-005/4)	51-26	2	
8495	Roller Bearing, on Drive Shafts (4HU-025)	51-27	4	
8493	Spacing Collar, between Roller Bearings (4HU-018)	51-28	2	
8490	Shim, adjusting Bearings (.003" thick) (4HU-116)	51-29	As req'd	} USE SHIMS OF DESIRED THICKNESS
8491	Shim, adjusting Bearings (.005" thick) (4HU-116/1)	51-29	As req'd	
8492	Shim, adjusting Bearings (.010" thick) (4HU-116/2)	51-29	As req'd	
8499	Housing, for Drive Shaft Bearings (4HU-014/1)	51-30	2	
8950	'O' Ring, on Housings (4HA-079/2)	51-30A	2	
9754	Shim, under Bearing Housings, for adjustment of Differential (.003" thick) (4HU-050/7)	51-31	As req'd	} USE SHIMS OF DESIRED THICKNESS
9755	Shim, under Bearing Housings, for adjustment of Differential (.005" thick) (4HU-051/7)	51-31	As req'd	
9756	Shim, under Bearing Housings, for adjustment of Differential (.010" thick) (4HU-052/7)	51-31	As req'd	
9757	Shim, under Bearing Housings, for adjustment of Differential (.030" thick) (4HU-053/7)	51-31	As req'd	
8506	Bolt, securing Bearing Housings to Gear Carrier (7B-NC.24)	51-32	4	
9758	Bolt, securing Bearing Housings to Gear Carrier (7B-NC.28)	51-32A	6	
8506	Lockwasher, on Bolts (7LW-13)	51-33	10	
8436	Oil Seal, in Bearing Housings, for Driving Flange (4HA-079/3)	51-34	2	
8500	Flange, on Drive Shafts (4HU-077)	51-35	2	
8496	Nut, securing Flanges to Drive Shafts (4HU-089/1)	51-36	2	
8498	Tab Washer, locking Nuts (4HU-091/1)	51-37	2	
8497	Special Washer, under Tab Washers (16W-28)	51-38	2	
8510	Bolt, in Flanges, for attachment of Brake Discs and Half Shafts (4HU-085/4)	51-39	8	
C.15349	Nut, Self-Locking, on Bolts (7LN-NF.75)	51-40	8	

**3.8 LITRE OVERDRIVE TRANSMISSION
FINAL DRIVE UNIT
WITH THORNTON 'POWR-LOK' DIFFERENTIAL
FITTED FROM CHASSIS NO. 1B.50001 TO 1B.53891
1B.75001 TO 1B.77576**

Part No.	Description	Plate No.	No. per Unit	Remarks
FINAL DRIVE UNIT ASSEMBLY (4HU-001/27) (RATIO 3.77:1) (Cont'd)				
C.17024	Bolt, securing Final Drive Unit to Rear Suspension Cross Member		4	
C.837	Wire, locking Bolts		As req'd	
C.25716	Breather, for Final Drive Unit		1	SUPERSEDES C.23611/1 AND C.23611/2
DIFFERENTIAL CASE ASSEMBLY (4HU-082/9)				
9208			1	
7888	Case only, for Differential (4HA-006/10)	51-41	2 halves	
7683	Friction Plate (flat) (4HA-111/3)	51-42	4	
8397	Friction Plate (dished) (4HA-111/4)	51-43	2	
7684	Friction Disc (4HA-112)	51-44	4	
7682	Ring, for Side Gears (4HA-109/1)	51-45	2	
7681	Side Gear (4HA-007/1)	51-46	2	
7685	Pinion Mate Gear (4HA-008)	51-47	4	
7686	Shaft, for Pinion Mate Gears (4HA-012/1)	51-48	2 halves	
7680	Bolt, securing Differential Casing (6B-NC.44)	51-49	8	

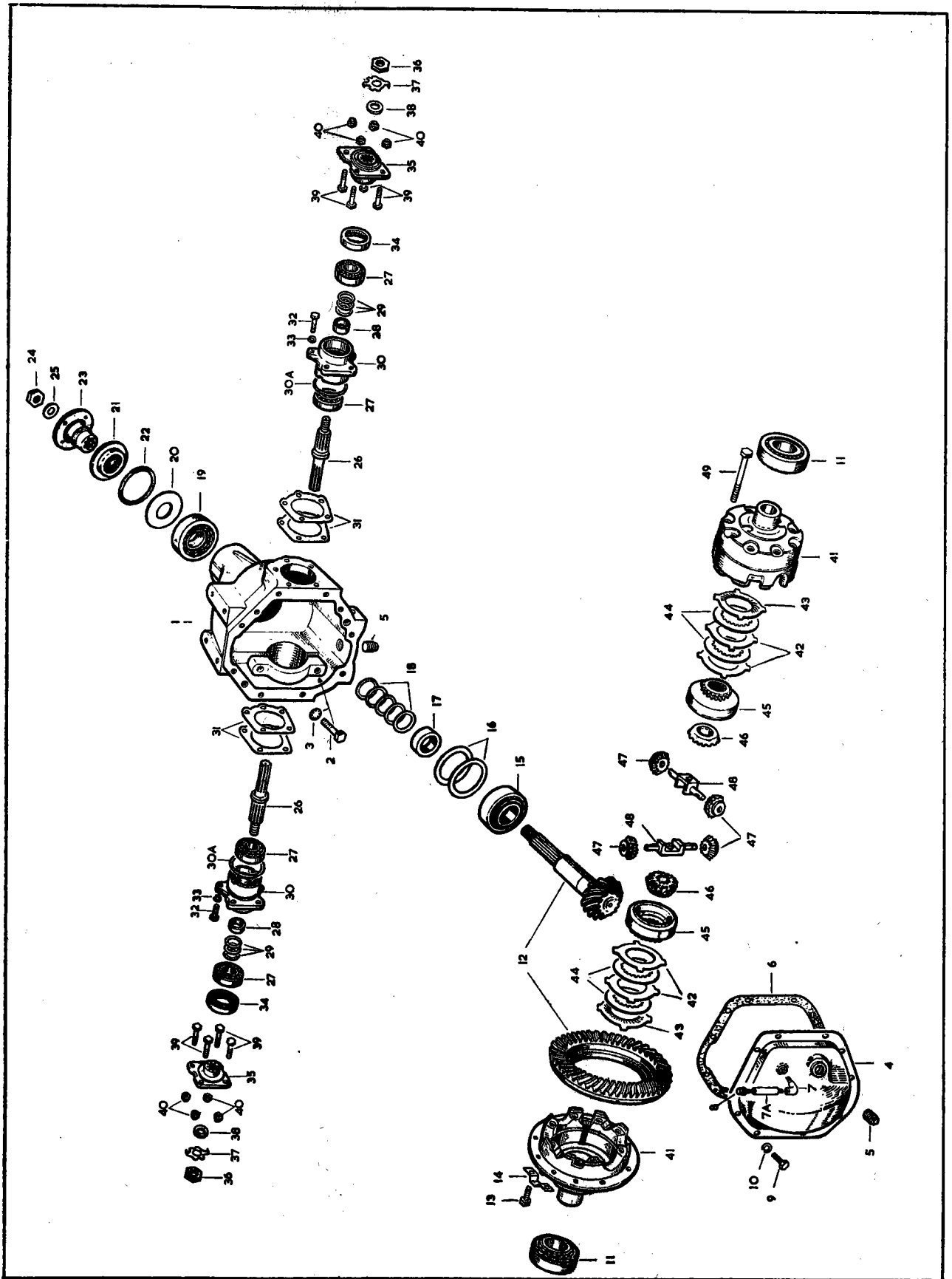


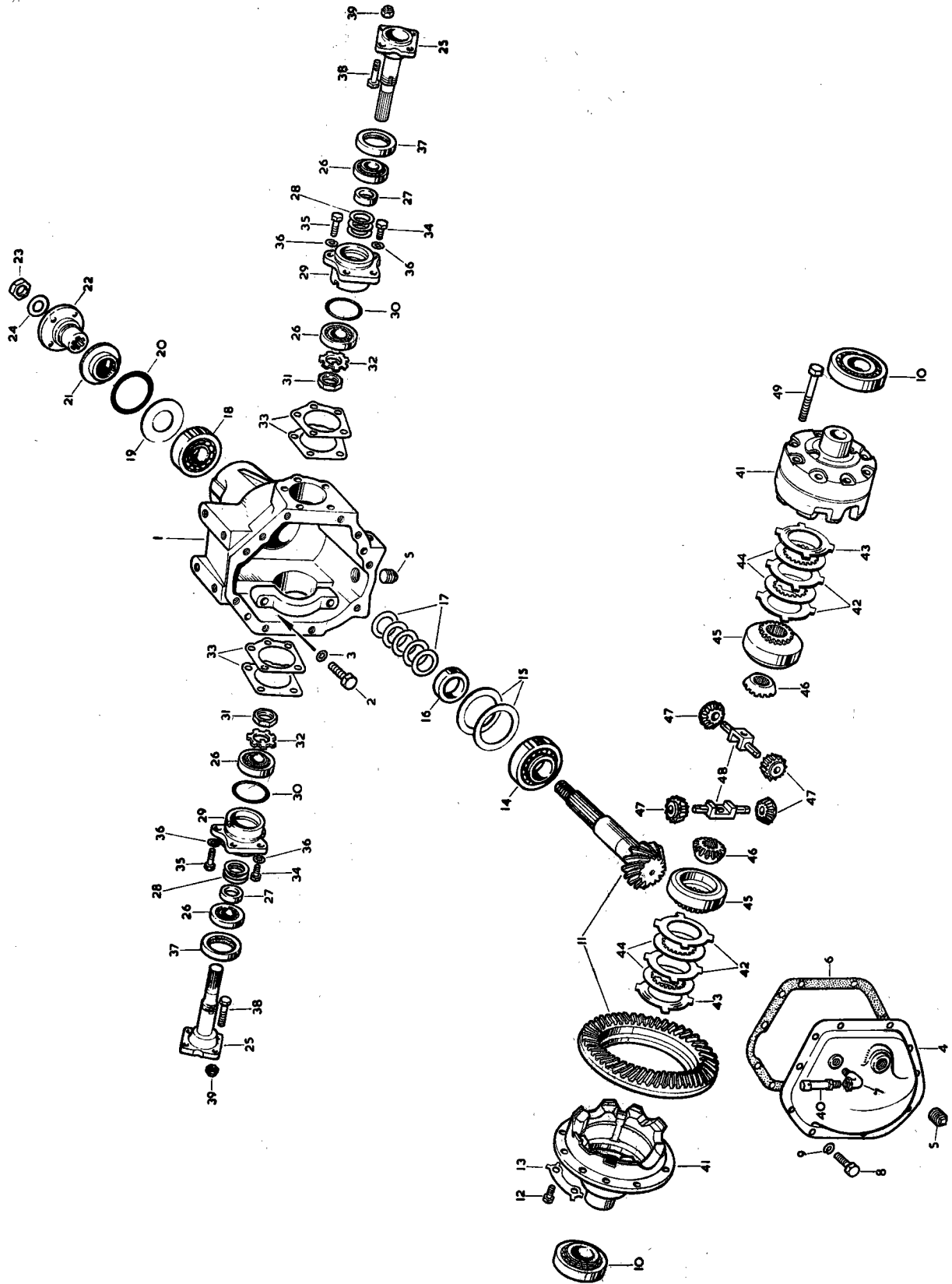
PLATE 51

**3.8 LITRE OVERDRIVE TRANSMISSION
FINAL DRIVE UNIT
WITH THORNTON 'POWR-LOK' DIFFERENTIAL
FITTED TO CHASSIS NO. 1B.53892 AND SUBS.
1B.77577 AND SUBS.**

Part No.	Description	Plate No.	No. per Unit	Remarks
C.26842	FINAL DRIVE UNIT ASSEMBLY (4HU-001/35B) (RATIO 3.77:1)		1	
9752	Gear Carrier Sub-Assembly (4HU-061/12)	52-1	1	
6114	Screw, Set, securing Differential Bearing Caps (8B-NC.36)	52-2	4	
8489	Lockwasher, on Setscrews (8LW-115)	52-3	4	
8507	Cover, for Carrier (4HA-010/9)	52-4	1	
3823	Plug, for Filler and Drain Apertures (HA-059)	52-5	2	
3931	Gasket, under Cover (4HA-026)	52-6	1	
8509	Elbow, in Cover (4HA-098/1)	52-7	1	
CS.131/5D	Screw, Set, securing Cover to Carrier (5B-NC.10)	52-8	10	
47	Lockwasher, on Setscrews (5LW-95)	52-9	10	
9208	Differential Case Assembly (4HU-082/9)		1	
3845	Roller Bearing, on Differential Case (Timken 25577-25523) (2HA-024)	52-10	2	
6306	Crown Wheel and Pinion (Ratio 3.77:1) (4HA-105/7A)	52-11	1	
6301	Screw, Set, securing Crown Wheel to Differential Case (3HA-075/6)	52-12	10	
6316	Lock Strap, securing Crown Wheel Setscrews (4HA-074/2)	52-13	5	
3844	Roller Bearing, at inner end of Pinion (Timken 31593-31520) (2HA-023)	52-14	1	
3860	Shim, inner, adjusting Pinion (-003" thick) (2HA-043)	52-15	As req'd	} SELECTIVE SIZES
3861	Shim, inner, adjusting Pinion (-005" thick) (2HA-044)	52-15	As req'd	
3862	Shim, inner, adjusting Pinion (-010" thick) (2HA-045)	52-15	As req'd	
8029	Distance Washer, behind outer Pinion Shims (4HA-115)	52-16	1	
3856	Shim, outer, adjusting Pinion (-003" thick) (2HA-039)	52-17	As req'd	} SELECTIVE SIZES
3857	Shim, outer, adjusting Pinion (-005" thick) (2HA-040)	52-17	As req'd	
3858	Shim, outer, adjusting Pinion (-010" thick) (2HA-041)	52-17	As req'd	
3859	Shim, outer, adjusting Pinion (-030" thick) (2HA-042)	52-17	As req'd	
3843	Roller Bearing, at outer end of Pinion (Timken 02872-02820) (2HA-022)	52-18	1	
3934	Oil Slinger, on Pinion (4HA-036)	52-19	1	
3840	Oil Seal, on Pinion (2HA-019)	52-20	1	
3841	Gasket, for Pinion Oil Seal (2HA-020)	52-21	1	
11098	Companion Flange (4HA-102/12)	52-22	1	
11099	Nut, securing Companion Flange to Pinion (12LN-NF.98)	52-23	1	
6128	Washer, under Nut (12W-24)	52-24	1	
11100	Drive Shaft and Flange (4HU-006/8)	52-25	2	
11101	Roller Bearing, on Drive Shaft (Timken LM.48548-LM.48510) (4HU-025/1)	52-26	4	
11102	Spacing Collar, between Roller Bearings (4HU-018/2)	52-27	2	
11103	Shim, adjusting Bearings (-003" thick) (4HU-116/3)	52-28	As req'd	} SELECTIVE SIZES
11104	Shim, adjusting Bearings (-005" thick) (4HU-116/4)	52-28	As req'd	
11105	Shim, adjusting Bearings (-010" thick) (4HU-116/5)	52-28	As req'd	
11106	Housing, for Drive Shaft Bearings (4HU-014/5)	52-29	2	
8950	'O' Ring, on Housings (4HA-079/2)	52-30	2	
11107	Nut, securing Drive Shafts in Bearings (4HU-089/2)	52-31	2	
11108	Tab Washer, locking Nuts (4HU-091/2)	52-32	2	
9754	Shim, under Bearing Housings, for adjustment of Differential (-003" thick) (4HU-050/7)	52-33	As req'd	} SELECTIVE SIZES
9755	Shim, under Bearing Housings, for adjustment of Differential (-005" thick) (4HU-051/7)	52-33	As req'd	
9756	Shim, under Bearing Housings, for adjustment of Differential (-010" thick) (4HU-052/7)	52-33	As req'd	
9757	Shim, under Bearing Housings, for adjustment of Differential (-030" thick) (4HU-053/7)	52-33	As req'd	
8506	Bolt, securing Bearing Housings to Gear Carrier (7B-NC.24)	52-34	4	
9758	Bolt, securing Bearing Housings and Adaptor Plates to Gear Carrier (7B-NC.28)	52-35	6	
8506	Lockwasher, on Bolts (7LN-13)	52-36	10	
8436/A	Oil Seal, in Bearing Housings, for Driving Flange (4HA-079/4)	52-37	2	
8510	Bolt, in Flanges, for attachment of Brake Discs and Half Shafts (4HU-055/4)	52-38	8	
C.15349	Nut, Self-Locking, on Bolts (7LN-NF.75)	52-39	8	
C.17024	Bolt, securing Final Drive Unit to Rear Suspension Cross Member		4	
C.837	Wire, locking Bolts		As req'd	
C.25716	Breather, for Final Drive Unit	52-40	1	

**3.8 LITRE OVERDRIVE TRANSMISSION
FINAL DRIVE UNIT
WITH THORNTON 'POWR-LOK' DIFFERENTIAL
FITTED TO CHASSIS NO. 1B.53892 AND SUBS.
1B.77577 AND SUBS.**

Part No.	Description	Plate No.	No. per Unit	Remarks
9208	DIFFERENTIAL CASE ASSEMBLY . (4HU-082/9)		1	FOR USE WITH 3-77:1 CROWN WHEEL AND PINION
7888	Case only, for Differential (4HA-006/9)	52-41	2 halves	
7683	Friction Plate (flat) (4HA-111/3)	52-42	4	
8397	Friction Plate (dished) (4HA-111/4)	52-43	2	
7684	Friction Disc (4HA-112)	52-44	4	
7682	Ring, for Side Gears (4HA-109/1)	52-45	2	
7681	Side Gear (4HA-007/1)	52-46	2	
7685	Pinion Mate Gears (4HA-008)	52-47	4	
7686	Shaft, for Pinion Mate Gears (4HA-012/1)	52-48	2 halves	
7680	Bolt, securing Differential Casing (6B-NC.44)	52-49	8	



FRONT SUSPENSION

Part No.	Description	Plate No.	No. per Unit	Remarks
C.25705	R.H. FRONT SUSPENSION ASSEMBLY		1	} FOR USE WITH DISC TYPE ROAD WHEELS
C.25706	L.H. FRONT SUSPENSION ASSEMBLY		1	
C.25707	R.H. FRONT SUSPENSION ASSEMBLY		1	} FOR USE WITH WIRE SPOKE ROAD WHEELS
C.25708	L.H. FRONT SUSPENSION ASSEMBLY	53-1	1	
C.23502	FRONT SUSPENSION CROSS MEMBER ASSEMBLY	53-2	1	Fitted from Chassis No. 1B.1001 to 1B.6405
BD.10341	Rubber Plug, sealing Tooling Holes in top of Front Suspension Cross Member	53-3	2	1B.25001 to 1B.25821 } 3-4 litre 1B.50001 to 1B.57093 } 3-8 litre 1B.75001 to 1B.79035 }
C.15353	FRONT SUSPENSION CROSS MEMBER ASSEMBLY		1	Fitted to Chassis No. 1B.6406 and subs. } 3-4 litre 1B.25822 and subs. } 1B.57094 and subs. } 3-8 litre 1B.79036 and subs. }
C.26433	FRONT SUSPENSION CROSS MEMBER ASSEMBLY		1	FOR R.H. DRIVE CARS EQUIPPED WITH POWER ASSISTED STEERING UNIT C.26018 Fitted to Chassis No. 1B.8682 and subs. 3-4 litre 1B.59539 and subs. 3-8 litre
C.26434	FRONT SUSPENSION CROSS MEMBER ASSEMBLY		1	FOR L.H. DRIVE CARS EQUIPPED WITH POWER ASSISTED STEERING UNIT C.26019 Fitted to Chassis No. 1B.26241 and subs. 3-4 litre 1B.80293 and subs. 3-8 litre
C.23549	RUBBER MOUNTING AT FRONT OF SUSPENSION CROSS MEMBER	53-4	2	
C.8737/4	Nut, Self-Locking, securing Front Mountings to Cross Member		2	
C.3337	Special Washer, under Nuts		2	
UFS.137/7R	Screw, Set, securing Front Mountings to Body		4	
C.8737/3	Nut, Self-Locking, on Setscrews		4	
FW.106/T	Washer, Plain, under Nuts		4	
C.23421	BUMP STOP (RUBBER) ON TURRET OF FRONT SUSPENSION CROSS MEMBER	53-5	2	
UFS.131/6R	Screw, Set, securing Bump Stops		4	
C.8667/2	Nut, Self-Locking, on Setscrews		4	

FRONT SUSPENSION

Part No.	Description	Plate No.	No. per Unit	Remarks
C.9004	RUBBER MOUNTING AT REAR OF FRONT SUSPENSION CROSS MEMBER	53-6	2	
C.8737/3	Nut, Self-Locking, securing Rear Mountings to Cross Member		4	
FW.106/T	Washer, Plain, under Nuts		4	
UFB.137/26R	Bolt, securing Rear Mountings to Body		2	
C.8737/3	Nut, Self-Locking, on Bolts		2	
C.24567	UPPER WISHBONE ASSEMBLY, R.H.		1	
C.24568	UPPER WISHBONE ASSEMBLY, L.H.	53-7	1	
C.17177	Upper Wishbone Lever, R.H. Rear and L.H. Front	53-8	2	
C.17176	Upper Wishbone Lever, L.H. Rear and R.H. Front	53-9	2	
C.15319	Fulcrum Shaft, for Mounting of Upper Wishbone Levers	53-10	2	
C.8675	Distance Washer, on Fulcrum Shaft	53-11	4	
C.8672	Bush (Rubber) on Fulcrum Shaft	53-12	4	
NN.750/L	Slotted Nut, securing Upper Wishbone Levers to Fulcrum Shafts	53-13	4	
C.8676	Special Washer, under Nuts	53-14	4	
L.104/10U	Split Pin, retaining Slotted Nuts	53-15	4	
C.23024	Ball Joint Assembly, for Upper Wishbone Levers	53-16	2	
C.4740	Distance Piece, between Ball Joint and Inner Face of Upper Wishbone Lever	53-17	2	
C.15308	Shim, for adjustment of Castor Angle (.064" thick)	53-18	10	
C.15903	Bolt (Short) securing Ball Joints to Upper Wishbone Levers		2	
C.17171	Bolt (Long) securing Ball Joints to Upper Wishbone Levers		2	
C.8667/3	Nut, Self-Locking, on Bolts		4	
FW.106/T	Washer, Plain, under Nuts		4	
C.17172	Rebound Stop (Rubber) on Upper Wishbone Levers	53-19	2	
C.17170	Bolt, securing Rebound Stops		4	
FG.106/X	Washer, Spring, on Bolts		4	
C.8918/1	SHIM FOR ADJUSTMENT OF CAMBER ANGLE (.064" THICK)	53-20	As req'd	} CHOOSE SHIMS OF DESIRED THICKNESS
C.8918/2	SHIM FOR ADJUSTMENT OF CAMBER ANGLE (.048" THICK)	53-20	As req'd	
C.8918/3	SHIM FOR ADJUSTMENT OF CAMBER ANGLE (.036" THICK)	53-20	As req'd	
C.17078	Bolt (Short) securing Upper Fulcrum Shaft to Front Suspension Cross Member at top	53-21	4	
C.17079	Bolt (Long) securing Upper Fulcrum Shaft to Front Suspension Cross Member at bottom	53-22	4	
FG.106/X	Washer, Spring, on Bolts		8	

FRONT SUSPENSION

Part No.	Description	Plate No.	No. per Unit	Remarks																																
C.23024	BALL JOINT ASSEMBLY FOR UPPER WISHBONE LEVERS	53-16	2																																	
C.22967	Rubber Gaiter, at bottom of Ball Joints		2																																	
C.22970	Plastic Insert, between Ball Joint Assembly and Gaiter		2																																	
C.22969	Ring, securing Gaiter to Ball Joints		2																																	
C.8737/5	Nut, Self-Locking, securing Ball Joints to Stub Axle Carriers		2																																	
FW.108/T	Washer, Plain, under Nuts		2																																	
C.9048	Grease Nipple, at top of Ball Joints (Tecalemit N.A. 6626)		2																																	
C.22971	Washer (Nylon) under Grease Nipple		2																																	
C.15328	LOWER WISHBONE LEVER	53-23	2																																	
C.10778	FULCRUM SHAFT FOR MOUNTING OF LOWER WISHBONE LEVERS TO FRONT SUSPENSION CROSS MEMBER	53-24	2																																	
C.8673	Bush (Rubber) on Fulcrum Shaft	53-25	4																																	
C.8693	Special Washer, on Fulcrum Shaft	53-26	4																																	
NN.756/L	Slotted Nut, securing Lower Wishbone Levers to Fulcrum Shaft		4																																	
L.104/10U	Split Pin, retaining Slotted Nuts		4																																	
C.15700	LEFT-HAND SEAT ASSEMBLY FOR FRONT SUSPENSION COIL SPRING	53-27	1																																	
C.15699	RIGHT-HAND SEAT ASSEMBLY FOR FRONT SUSPENSION COIL SPRING		1																																	
BD.9604/5	Screw, Set, securing Coil Spring Seats to Lower Wishbone Levers	10	<table style="border: none;"> <tr> <td rowspan="4" style="font-size: 3em; vertical-align: middle;">}</td> <td>Fitted from Chassis No.</td> <td rowspan="4" style="font-size: 3em; vertical-align: middle;">}</td> <td rowspan="4" style="vertical-align: middle;">3-4 litre</td> </tr> <tr> <td>1B.1001 to 1B.1440</td> </tr> <tr> <td>1B.25001 to 1B.25129</td> </tr> <tr> <td>1B.50001 to 1B.51097</td> </tr> <tr> <td>1B.75001 to 1B.75584</td> <td>3-8 litre</td> </tr> </table>	}	Fitted from Chassis No.	}	3-4 litre	1B.1001 to 1B.1440	1B.25001 to 1B.25129	1B.50001 to 1B.51097	1B.75001 to 1B.75584	3-8 litre																								
}	Fitted from Chassis No.	}			3-4 litre																															
	1B.1001 to 1B.1440																																			
	1B.25001 to 1B.25129																																			
	1B.50001 to 1B.51097																																			
1B.75001 to 1B.75584	3-8 litre																																			
BD.9604/6	Screw, Set, securing Coil Spring Seats to Lower Wishbone Levers	2																																		
FG.106/X	Washer, Spring, on Setscrews	12																																		
C.18731/1	Distance Washer, between Spring Seats and Wishbones	12																																		
C.11917	Screw, Set, securing Coil Spring Seats to Lower Wishbone Levers	10	<table style="border: none;"> <tr> <td rowspan="3" style="font-size: 3em; vertical-align: middle;">}</td> <td>Fitted to Chassis No.</td> <td rowspan="3" style="font-size: 3em; vertical-align: middle;">}</td> <td rowspan="3" style="vertical-align: middle;">3-4 litre</td> </tr> <tr> <td>1B.1441 and subs.</td> </tr> <tr> <td>1B.25130 and subs.</td> </tr> <tr> <td>C.11923</td> <td>Screw, Set, securing Coil Spring Seats to Lower Wishbone Levers</td> <td>2</td> <td rowspan="2" style="vertical-align: middle;"> <table style="border: none;"> <tr> <td rowspan="2" style="font-size: 3em; vertical-align: middle;">}</td> <td>1B.51098 and subs.</td> <td rowspan="2" style="font-size: 3em; vertical-align: middle;">}</td> <td rowspan="2" style="vertical-align: middle;">3-8 litre</td> </tr> <tr> <td>1B.75585 and subs.</td> </tr> </table> </td> </tr> <tr> <td>FG.106/X</td> <td>Washer, Spring, on Setscrews</td> <td>12</td> </tr> <tr> <td>C.21958</td> <td>FRONT SUSPENSION COIL SPRING</td> <td>53-28</td> <td>2</td> <td></td> </tr> <tr> <td>C.11874</td> <td>Packing Ring (¼" thick) at top of Spring</td> <td>53-29</td> <td>As req'd</td> <td></td> </tr> <tr> <td>C.11874/1</td> <td>Packing Ring (⅜" thick) at top of Spring</td> <td>53-29</td> <td>As req'd</td> <td></td> </tr> </table>	}	Fitted to Chassis No.	}	3-4 litre	1B.1441 and subs.	1B.25130 and subs.	C.11923	Screw, Set, securing Coil Spring Seats to Lower Wishbone Levers	2	<table style="border: none;"> <tr> <td rowspan="2" style="font-size: 3em; vertical-align: middle;">}</td> <td>1B.51098 and subs.</td> <td rowspan="2" style="font-size: 3em; vertical-align: middle;">}</td> <td rowspan="2" style="vertical-align: middle;">3-8 litre</td> </tr> <tr> <td>1B.75585 and subs.</td> </tr> </table>	}	1B.51098 and subs.	}	3-8 litre	1B.75585 and subs.	FG.106/X	Washer, Spring, on Setscrews	12	C.21958	FRONT SUSPENSION COIL SPRING	53-28	2		C.11874	Packing Ring (¼" thick) at top of Spring	53-29	As req'd		C.11874/1	Packing Ring (⅜" thick) at top of Spring	53-29	As req'd	
}	Fitted to Chassis No.	}			3-4 litre																															
	1B.1441 and subs.																																			
	1B.25130 and subs.																																			
C.11923	Screw, Set, securing Coil Spring Seats to Lower Wishbone Levers	2	<table style="border: none;"> <tr> <td rowspan="2" style="font-size: 3em; vertical-align: middle;">}</td> <td>1B.51098 and subs.</td> <td rowspan="2" style="font-size: 3em; vertical-align: middle;">}</td> <td rowspan="2" style="vertical-align: middle;">3-8 litre</td> </tr> <tr> <td>1B.75585 and subs.</td> </tr> </table>	}	1B.51098 and subs.	}	3-8 litre	1B.75585 and subs.																												
}	1B.51098 and subs.	}			3-8 litre																															
	1B.75585 and subs.																																			
FG.106/X	Washer, Spring, on Setscrews	12																																		
C.21958	FRONT SUSPENSION COIL SPRING	53-28	2																																	
C.11874	Packing Ring (¼" thick) at top of Spring	53-29	As req'd																																	
C.11874/1	Packing Ring (⅜" thick) at top of Spring	53-29	As req'd																																	

NOTE:—Packing Rings are used in accordance with the free length of Springs. This is indicated by coloured paint on the Spring coils. A table showing the co-relation of colour code to Packing Rings is given on page 230.

FRONT SUSPENSION

Part No.	Description	Plate No.	No. per Unit	Remarks
FRONT SUSPENSION COIL SPRING (Cont'd)				
	COLOUR CODE OF SPRING	PACKING REQUIRED		
		R.H. SPRING	L.H. SPRING	
	RED	¼"	¼"	} Fitted to all L.H. Drive Cars Fitted to R.H. Drive Cars from Chassis No. 1B.1001 to 1B.3999 3-4 litre 1B.50001 to 1B.54357 3-8 litre
	YELLOW	⅜"	⅜"	
	PURPLE	None	None	
	RED	⅜"	¼"	
	YELLOW	¼"	⅜"	} Fitted to R.H. Drive Cars from Chassis No. 1B.4000 and subs. 3-4 litre 1B.54358 and subs. 3-8 litre
	PURPLE	⅜"	None	
C.8689	BRACKET, UNDER SPRING SEAT, FOR MOUNTING OF FRONT SHOCK ABSORBERS	53-30	2	
C.11916	Screw, Set, securing Shock Absorber Brackets to Spring Seats	53-31	8	
C.8690	Tab Washer (Long) retaining Setscrews	53-32	2	
C.8677	Tab Washer (Short) retaining Setscrews	53-33	2	
C.24953	FRONT SHOCK ABSORBER (NFP 64054607B)	53-34	2	} Fitted from Chassis No. 1B.1001 to 1B.8861 } United Kingdom 1B.50001 to 1B.59557 } only 1B.25001 and subs. } U.S.A., Hawaii, Canada 1B.75001 and subs. } and Newfoundland 1B.1001 to 1B.8168 } 1B.25001 to 1B.26226 } Other Export 1B.50001 to 1B.59527 } Territories 1B.75001 to 1B.80282 }
8299	Rubber Buffer, at top of Shock Absorbers (64539036)	53-35	4	
6744	Inner Washer, between Rubber Buffers (9046/934)	53-36	4	
8298	Outer Washer, at top and bottom of Rubber Buffers (64539035)	53-37	4	
7695	Spacing Collar, at top of Shock Absorbers (9046/1170)	53-38	2	
UFN.137/L	Nut, for Shock Absorbers	53-39	2	
UFN.237/L	Locknut, for Shock Absorbers	53-40	2	
C.8925	Bolt, securing Front Shock Absorbers through bottom eye		2	
C.8737/4	Nut, Self-Locking, on Bolts		2	
FW.107/T	Washer, Plain, under Nuts		2	
C.386	Plain Washer, between Outer Washers and securing Nuts at Upper fixing		2	
C.20989	FRONT SHOCK ABSORBER (64054137E)		2	} Fitted to Chassis No. 1B.8862 and subs. } United Kingdom 1B.59558 and subs. } only 1B.8619 and subs. } Export Territories 1B.26227 and subs. } except U.S.A., 1B.59528 and subs. } Hawaii, Canada 1B.80283 and subs. } and Newfoundland
	Individual items are as for Front Shock Absorbers C.24953			

FRONT SUSPENSION

Part No.	Description	Plate No.	No. per Unit	Remarks
C.15337	BALL PIN, IN STUB AXLE CARRIER, FOR ATTACHMENT OF LOWER WISHBONE LEVERS	53-41	2	
C.22974	Spigot, over Ball Pins	53-42	2	
C.23018	Railko Socket, supporting Lower Ball Pin	53-43	2	
C.15341	Shim (.002" thick) between Stub Axle Carrier and Cap	53-44	As req'd	} CHOOSE SHIMS OF DESIRED THICKNESS
C.15342	Shim (.004" thick) between Stub Axle Carrier and Cap	53-44	As req'd	
C.17175	Shim (.010" thick) between Stub Axle Carrier and Cap	53-44	As req'd	
C.24222	Cap, under Lower Ball Pins	53-45	2	
C.15344	Bolt, securing Caps to Stub Axle Carriers	53-46	8	
C.15343	Tab Washer, securing Bolts	53-47	4	
C.3044/1	Grease Nipple, in Cap, for lubrication of Lower Ball Pins	53-48	2	
C.22971	Washer (Nylon) under Grease Nipple	53-49	2	
C.22967	RUBBER GAITER FOR LOWER BALL PINS	53-50	2	
C.22970	Plastic Insert, between Stub Axle Carrier and Gaiter	53-51	2	
C.22969	Ring, securing Gaiters to Stub Axle Carriers	53-52	2	
C.8737/6	Nut, Self-Locking, securing Lower Ball Pins to Lower Wishbone Levers		2	
C.794	Special Washer, behind Slotted Nuts		2	
C.19224	STUB AXLE CARRIER	53-53	2	
C.18843	Water Deflector, for protection of Front Hub Oil Seal	53-54	2	
C.19423	STUB AXLE SHAFT	53-55	2	
C.8667/7	Nut, Self-Locking, securing Stub Axle Shafts and Tie Rod Levers to Carriers		2	
C.15350	OIL SEAL FOR STUB AXLE SHAFTS	53-56	2	
C.18842	Water Deflector, on Hub, for protection of Front Hub Oil Seal	53-57	2	
C.15351	INNER BEARING, ON STUB AXLE SHAFT, FOR HUBS (TIMKEN LM.67048—LM.67010)	53-58	2	
C.15352	OUTER BEARING, ON STUB AXLE SHAFT, FOR HUBS (TIMKEN LM.11949—LM.11910)	53-59	2	

FRONT SUSPENSION

Part No.	Description	Plate No.	No. per Unit	Remarks
C.23436	FRONT HUB ASSEMBLY (OL.12922)		2	
C.13365	Stud, in Hubs, for fixing of Road Wheels		10	FOR USE WHEN DISC ROAD WHEELS ARE FITTED
C.3044/1	Grease Nipple, in Hubs		2	
C.19225	R.H. FRONT HUB (OLO.3240)		1	FOR USE WHEN WIRE SPOKE ROAD WHEELS ARE FITTED
C.19226	L.H. FRONT HUB (OLO.3440)	53-60	1	
C.3076/1	Grease Nipple, in Hubs	53-61	2	
NN.756/L C.3400 L.104/10U	Slotted Nut, securing Front Hubs to Stub Axle Shafts 'D' Washer, under Nuts Split Pin, securing Nuts		2 2 2	
C.3039	CAP IN END OF FRONT HUBS		2	FOR USE ONLY WHEN DISC ROAD WHEELS ARE FITTED
C.1102	R.H. HUB CAP		1	FOR USE ONLY WHEN WIRE SPOKE ROAD WHEELS ARE FITTED NOT REQUIRED FOR CARS EXPORTED TO GERMANY, JAPAN OR SWITZERLAND
C.1103	L.H. HUB CAP	53-62	1	
C.14891	R.H. HUB CAP		1	Fitted from Chassis No. 1B.1001 to 1B.8821 } 3-4 litre 1B.25001 to 1B.26244 } 1B.50001 to 1B.59550 } 3-8 litre 1B.75001 to 1B.80301 } FOR USE ONLY WHEN WIRE SPOKE ROAD WHEELS ARE FITTED ON CARS EXPORTED TO GERMANY, JAPAN OR SWITZERLAND
C.14892	L.H. HUB CAP	53-63	1	
C.14927	TOOL FOR REMOVING AND FITTING HUB CAPS	53-64	1	
C.28684	R.H. HUB CAP		1	
C.28685	L.H. HUB CAP		1	FOR USE ONLY WHEN WIRE SPOKE ROAD WHEELS ARE FITTED ON CARS EXPORTED TO GERMANY, JAPAN OR SWITZERLAND Fitted to Chassis No. 1B.8822 and subs. } 3-4 litre 1B.26245 and subs. } 1B.59551 and subs. } 3-8 litre 1B.80302 and subs. }
C.28687	TOOL FOR REMOVING AND FITTING HUB CAPS		1	
C.25709	R.H. FRONT BRAKE CALIPER ASSEMBLY		1	

FRONT SUSPENSION

Part No.	Description	Plate No.	No. per Unit	Remarks
C.25710	L.H. FRONT BRAKE CALIPER ASSEMBLY		1	FOR REFERENCE ONLY. SEE FRONT BRAKES
C.7569	Shim (.004" thick) between Brake Calipers and Stub Axle Carriers (8LO.2405)		As req'd	
C.11723	Shim (.010" thick) between Brake Calipers and Stub Axle Carriers (8LO.2411)		As req'd	
C.11723/1	Shim (.030" thick) between Brake Calipers and Stub Axle Carriers (8LO.2462)		As req'd	
C.23484	DISC FOR FRONT BRAKE CALIPERS		2	
C.13546	Bolt , securing Discs to Hubs		10	
C.24119/2	Nut , Self-Locking, on Bolts		10	
C.22769	L.H. TIE ROD LEVER	53-65	1	
C.15336	L.H. Front Hose Bracket		1	
C.22768	R.H. TIE ROD LEVER		1	
C.15335	R.H. Front Hose Bracket		1	
C.22767	Screw , Set, securing Tie Rod Levers, Caliper Assemblies and Front Hose Brackets to Stub Axle Carriers		2	
C.22770	Screw , Set, securing Front Caliper Assemblies to Stub Axle Carriers		2	Fitted from Chassis No. 1B.1001 to 1B.1837 } 3-4 litre 1B.25001 to 1B.25229 } 1B.50001 to 1B.51606 } 3-8 litre 1B.75001 to 1B.75988 }
C.23728	Bolt , securing Caliper Assemblies, Front Brake Hose Brackets and Upper Disc Shields to Stub Axle Carriers		2	Fitted to Chassis No. 1B.1838 and subs. } 3-4 litre 1B.25230 and subs. } 1B.51607 and subs. } 3-8 litre 1B.75989 and subs. }
FG.108/X	Washer , Spring, on Setscrews		4	
FW.108/T	Washer , Plain, under Spring Washer		2	
C.15897	Shim (.004" thick) between Tie Rod Levers and Stub Axle Carriers		As req'd	
C.15898	Shim (.010" thick) between Tie Rod Levers and Stub Axle Carriers		As req'd	
C.22679	L.H. OUTER TIE ROD ASSEMBLY	53-66	1	
C.22678	R.H. OUTER TIE ROD ASSEMBLY		1	
C.9048	Grease Nipple , for lubrication of Ball Joints in Outer Tie Rods		4	
C.22976	Washer , Plain, under Grease Nipple		4	
C.22975	Washer (Rubber) under Plain Washer		4	
C.22683	Rubber Gaiter , on Ball Joints		4	
C.22685	Ring , securing Gaiters		4	
C.8737/5	Nut , Self-Locking, securing Outer Tie Rods		4	
C.791	Special Washer , under Nuts		4	

FRONT SUSPENSION

Part No.	Description	Plate No.	No. per Unit	Remarks
C.26098	OUTER TIE ROD ASSEMBLY, FOR ADJUSTMENT OF STEERING TRACK		2	REQUIRED FOR CARS EQUIPPED WITH C.26018 AND C.26019 POWER-ASSISTED STEERING UNITS ONLY AT CHASSIS NO. 1B.8682 and subs. } 3-4 litre 1B.26241 and subs. } 1B.59539 and subs. } 3-8 litre 1B.80293 and subs. }
C.26101	Tie Rod Tube		2	
C.3165	Clamp, securing Tube to Tie Rod Ends		4	
UFB.131/11R	Bolt, through Clamps		4	
UFN.131/L	Nut, on Bolts		4	
FG.105/X	Washer, Spring, under Nuts		4	
FW.105/T	Washer, Plain, under Spring Washers		4	
C.26099	End Assembly (R.H. Thread) for Outer Tie Rods		2	
C.26100	End Assembly (L.H. Thread) for Outer Tie Rods		2	
C.26099	END ASSEMBLY (R.H. THREAD) FOR OUTER TIE RODS		2	
C.9048	Grease Nipple, for Lubrication of Ball Joint in Tie Rod End		2	
C.22976	Washer, Plain, under Grease Nipple		2	
C.22975	Washer (Rubber) under Plain Washer		2	
C.22683	Gaiter, over Ball Joints		2	
C.22685	Ring, securing Gaiters		2	
C.8737/5	Nut, Self-Locking, securing Outer Tie Rod to Tie Rod Lever and to Centre Tie Rod End		2	
C.791	Washer, Special, under Self-Locking Nuts		2	
C.29088	CENTRE TIE ROD ASSEMBLY, FOR ADJUSTMENT OF STEERING TRACK		1	REQUIRED ONLY FOR CARS NOT EQUIPPED WITH POWER-ASSISTED STEERING
C.8720	Tie Rod Tube	53-67	1	
C.3165	Clamp, securing Tube to Tie Rod Ends	53-68	2	
UFB.131/11R	Bolt, securing Clamps		2	
UFN.131/L	Nut, on Bolts		2	
FG.105/X	Washer, Spring, under Nuts		2	
FW.105/T	Washer, Plain, under Spring Washers		2	
C.29089	End Assembly, at R.H. side of Centre Tie Rod		1	
C.29090	End Assembly, at L.H. side of Centre Tie Rod	53-69	1	
C.8737/5	Nut, Self-Locking, securing Tie Rod Ends to Drop Arm and Idler Lever	53-70	2	
C.791	Special Washer, under Self-Locking Nuts	53-71	2	
C.29089	END ASSEMBLY AT R.H. SIDE OF CENTRE TIE ROD		1	REQUIRED ONLY FOR CARS NOT EQUIPPED WITH POWER-ASSISTED STEERING
C.17099	Pin and Bush Assembly		1	
C.29090	END ASSEMBLY AT L.H. SIDE OF CENTRE TIE ROD	53-69	1	
C.17099	Pin and Bush Assembly		1	

FRONT SUSPENSION

Part No.	Description	Plate No.	No. per Unit	Remarks								
C.29093	CENTRE TIE ROD ASSEMBLY, FOR ADJUSTMENT OF STEERING TRACK		1	REQUIRED ONLY FOR CARS EQUIPPED WITH POWER-ASSISTED STEERING								
C.23329	Tie Rod Tube		1									
C.3165	Clamp, securing Tube to Tie Rod Ends		2									
UFB.131/11R	Bolt, securing Clamps		2									
UFN.131/L	Nut, on Bolts		2									
FG.105/X	Washer, Spring, under Nuts		2									
FW.105/T	Washer, Plain, under Spring Washers		2									
C.29094	End Assembly, at R.H. side of Centre Tie Rod		1									
C.29095	End Assembly, at L.H. side of Centre Tie Rod		1									
C.8737/5	Nut, Self-Locking, securing Tie Rod Ends to Drop Arm and Idler Lever		2									
C.791	Special Washer, under Self-Locking Nuts		2									
C.29094	END ASSEMBLY AT R.H. SIDE OF CENTRE TIE ROD		1	REQUIRED ONLY FOR CARS EQUIPPED WITH POWER-ASSISTED STEERING								
C.17099	Pin and Bush Assembly		1									
C.29095	END ASSEMBLY AT L.H. SIDE OF CENTRE TIE ROD		1									
C.17099	Pin and Bush Assembly		1									
C.26393	CENTRE TIE ROD ASSEMBLY		1									
C.23329	Tie Rod Tube		1									
C.3165	Clamp, securing Tube to Tie Rod Ends		2									
UFB.131/11R	Bolt, securing Clamps		2									
UFN.131/L	Nut, on Bolts		2									
FG.105/X	Washer, Spring, under Nuts		2									
FW.105/T	Washer, Plain, under Spring Washers		2									
C.19057	End Assembly, at R.H. side of Centre Tie Rod		1	REQUIRED ONLY FOR CARS EQUIPPED WITH C.26018 AND C.26019 POWER-ASSISTED STEERING UNITS								
C.19059	End Assembly, at L.H. side of Centre Tie Rod		1									
C.8738/5	Nut, Self-Locking, securing Tie Rod Ends to Drop Arm and Idler Lever		2									
C.791	Washer, Special, under Self-Locking Nuts		2									
C.19057	END ASSEMBLY AT R.H. SIDE OF CENTRE TIE ROD		1	NOTE: C.26393 is assembled with identical parts as for C.23382 used on other models. C.26393 is, however, built to a critical dimension and it is ESSENTIAL THAT ONLY THIS CONDITION SHOULD BE USED FOR REPLACEMENTS. Fitted to Chassis No. <table style="margin-left: 20px; border: none;"> <tr> <td>1B.8682 and subs.</td> <td rowspan="2" style="font-size: 2em; vertical-align: middle;">}</td> <td rowspan="2" style="vertical-align: middle;">3.4 litre</td> </tr> <tr> <td>1B.26241 and subs.</td> </tr> <tr> <td>1B.59539 and subs.</td> <td rowspan="2" style="font-size: 2em; vertical-align: middle;">}</td> <td rowspan="2" style="vertical-align: middle;">3.8 litre</td> </tr> <tr> <td>1B.80293 and subs.</td> </tr> </table>	1B.8682 and subs.	}	3.4 litre	1B.26241 and subs.	1B.59539 and subs.	}	3.8 litre	1B.80293 and subs.
1B.8682 and subs.	}	3.4 litre										
1B.26241 and subs.												
1B.59539 and subs.	}	3.8 litre										
1B.80293 and subs.												
C.17099	Pin and Bush Assembly		1									
C.19059	END ASSEMBLY AT L.H. SIDE OF CENTRE TIE ROD		1									
C.17099	Pin and Bush Assembly		1									

FRONT SUSPENSION

Part No.	Description	Plate No.	No. per Unit	Remarks
C.14035	ANTI-ROLL BAR (HEAVY DUTY)	53-72	1	
C.3054	Bracket, supporting Anti-roll Bar	53-73	2	
C.14983	Rubber Bush, inside Support Brackets	53-74	2	
C.18303	Keeper Plate, for Rubber Bush	53-75	2	
C.20898	Packing Block, between Keeper Plate and Underframe	53-76	2	
UFS.137/13R	Screw, Set, securing Support Brackets		4	
FG.106/X	Washer, Spring, on Setscrews		4	
C.20764	LINK, BETWEEN ANTI-ROLL BAR AND COIL SPRING SEATS	53-77	2	
C.10940	Rubber Bush, in Eye of Links	53-78	2	
UFB.143/14R	Bolt, securing Links through Eye ends		2	
C.8737/4	Nut, Self-Locking, on Bolts		2	
C.10996	RUBBER PAD AT UPPER END OF ANTI-ROLL BAR LINKS	53-79	4	
C.11047	Distance Tube, through Rubber Pads	53-80	2	
C.11045	Retaining Washer, for Rubber Pads	53-81	4	
C.8737/3	Nut, Self-Locking, securing Links to Anti-Roll Bar		2	
C.14845	STEERING BOX ASSEMBLY	53-82	1	STANDARD FITMENT ON R.H. DRIVE CARS
C.14847	Drop Arm, on Steering Box		1	
C.14846	STEERING BOX ASSEMBLY		1	STANDARD FITMENT ON L.H. DRIVE CARS
C.14847	Drop Arm, on Steering Box		1	
C.8927	HIGH RATIO STEERING BOX ASSEMBLY	53-82	1	SUPPLIED TO SPECIAL ORDER ON R.H. DRIVE CARS ONLY
6429	Drop Arm, on Steering Box		1	
C.8928	HIGH RATIO STEERING BOX ASSEMBLY		1	SUPPLIED TO SPECIAL ORDER ON L.H. DRIVE CARS ONLY
6429	Drop Arm, on Steering Box		1	
C.11919	Bolt (Long) securing Steering Box to Front Suspension Cross Member		2	} NOT REQUIRED WHEN POWER-ASSISTED STEERING IS FITTED
C.11920	Bolt (Short) securing Steering Box to Front Suspension Cross Member		2	
C.11953	Tab Washer, locking Bolts		2	

FRONT SUSPENSION

Part No.	Description	Plate No.	No. per Unit	Remarks
C.22921	POWER ASSISTED STEERING BOX ASSEMBLY		1	R.H. DRIVE CARS ONLY
C.22923	Drop Arm, on Steering Box		1	
C.22922	POWER ASSISTED STEERING BOX ASSEMBLY		1	L.H. DRIVE CARS ONLY
C.22924	Drop Arm, on Steering Box		1	
C.17079	Bolt, securing Power Assisted Steering Box to Front Suspension Cross Member		1	
FG.106/X	Washer, Spring, on Bolt		1	
C.25884	Bolt, securing Power Assisted Steering Box to Cross Member and controlling Steering Lock		1	
UFN.137/L	Nut, on Bolt		1	
FG.106/X	Washer, Spring, under Nut		1	
C.16037	Bolt, securing Power Assisted Steering Box to Front Suspension Cross Member		1	
C.8737/3	Nut, Self-Locking, on Bolt		1	
FW.106/T	Washer, Plain, under Nut		1	
C.22440	STEERING IDLER ASSEMBLY (OAO.1930)	53-83	1	NOT REQUIRED WHEN POWER ASSISTED STEERING IS FITTED FOR USE ONLY WITH STEERING BOX C.14845 OR C.14846
C.22441	Bracket, for mounting Idler	53-84	1	
C.19665	Idler Spindle	53-85	1	
UFN.150/L	Nut, at top of Spindle	53-86	1	
C.4490	Tab Washer, locking Nut	53-87	1	
C.16032	'D' Washer, under Tab Washer	53-88	1	
C.4219	End Cap	53-89	1	
C.16030	Bearing, at top of Idler Spindle (Timken 00050/00152X)	53-90	1	
C.16029	Bearing, at bottom of Idler Spindle (Timken 03062/03162)	53-91	1	
C.16035	Felt Seal, on Spindle	53-92	1	
C.16034	Retainer, for Felt Seal	53-93	1	
C.16033	Abutment Washer	53-94	1	
C.16116	Abutment Ring	53-95	1	
C.22442	Idler Lever	53-96	1	
C.8737/4	Nut, Self-Locking, securing Idler Lever to Spindle	53-97	1	
C.789	Washer, Plain, under Self-Locking Nut	53-98	1	
UFS.137/9R	Screw, Set, controlling Steering Lock	53-99	2	
UFN.237/L	Nut, locking Setscrews	53-100	2	
C.22445	STEERING IDLER ASSEMBLY (OAO.1931)		1	} NOT REQUIRED WHEN POWER-ASSISTED STEERING IS FITTED. FOR USE ONLY WITH HIGH RATIO STEERING BOX C.8927 OR C.8928; C.12212 OR C.12213
C.22444	Idler Spindle		1	
All other items are as for Steering Idler Assembly C.22440				
C.11919	Bolt (Long) securing Steering Idler to Front Suspension Cross Member		2	} NOT REQUIRED WHEN POWER-ASSISTED STEERING IS FITTED
C.11920	Bolt (Short) securing Steering Idler to Front Suspension Cross Member		2	
FG.106/X	Washer, Spring, on Bolts		4	
FW.106/T	Washer, Plain, on Bolts for Shimming Idler Bracket		As req'd	
C.24781	Washer, Plain, on Bolts for Shimming Idler Bracket		As req'd	

FRONT SUSPENSION

Part No.	Description	Plate No.	No. per Unit	Remarks
C.16022	STEERING IDLER ASSEMBLY (OAO.1814)		1	FOR R.H. DRIVE CARS EQUIPPED WITH POWER-ASSISTED STEERING
C.16024	Bracket, for mounting Idler		1	
C.16028	Idler Spindle		1	
UFN.150/L	Nut, at top of Spindle		1	
C.4490	Tab Washer, locking Nut		1	
C.16032	'D' Washer, under Tab Washer		1	
C.4219	End Cap		1	
C.16030	Bearing, at top of Idler Spindle (Timken 00050/00152X)		1	
C.16029	Bearing, at bottom of Idler Spindle (Timken 03062/03162)		1	
C.16035	Felt Seal, on Spindle		1	
C.16034	Retainer, for Felt Seal		1	
C.16033	Abutment Washer		1	
C.16116	Abutment Ring		1	
C.16026	Idler Lever		1	
C.8737/4	Nut, Self-Locking, securing Idler Lever to Spindle		1	
C.789	Washer, under Self-Locking Nut		1	
C.16023	STEERING IDLER ASSEMBLY (OAO.1815)		1	FOR L.H. DRIVE CARS EQUIPPED WITH POWER-ASSISTED STEERING
C.16025	Bracket, for mounting Idler		1	
C.16027	Idler Lever		1	
	All other items are as for Steering Idler Assembly C.16022			
C.11920	Bolt, securing Steering Idler to Front Suspension Cross Member		1	FOR USE ONLY WHEN POWER-ASSISTED STEERING IS FITTED
FG.106/X	Washer, Spring, on Bolt		1	
C.16036	Bolt, securing Steering Idler to Front Suspension Cross Member and controlling Steering Lock		1	
UFN.137/L	Nut, on Bolt		1	
FG.106/X	Washer, Spring, on Bolt		1	
C.16038	Bolt, securing Steering Idler to Front Suspension Cross Member		1	
C.8737/3	Nut, Self-Locking, on Bolt		1	
FW.106/T	Washer, Plain, under Nut		1	
FW.106/T	Washer, Plain, for Shimming Idler Bracket		As req'd	
C.24781	Washer, Plain, for Shimming Idler Bracket		As req'd	

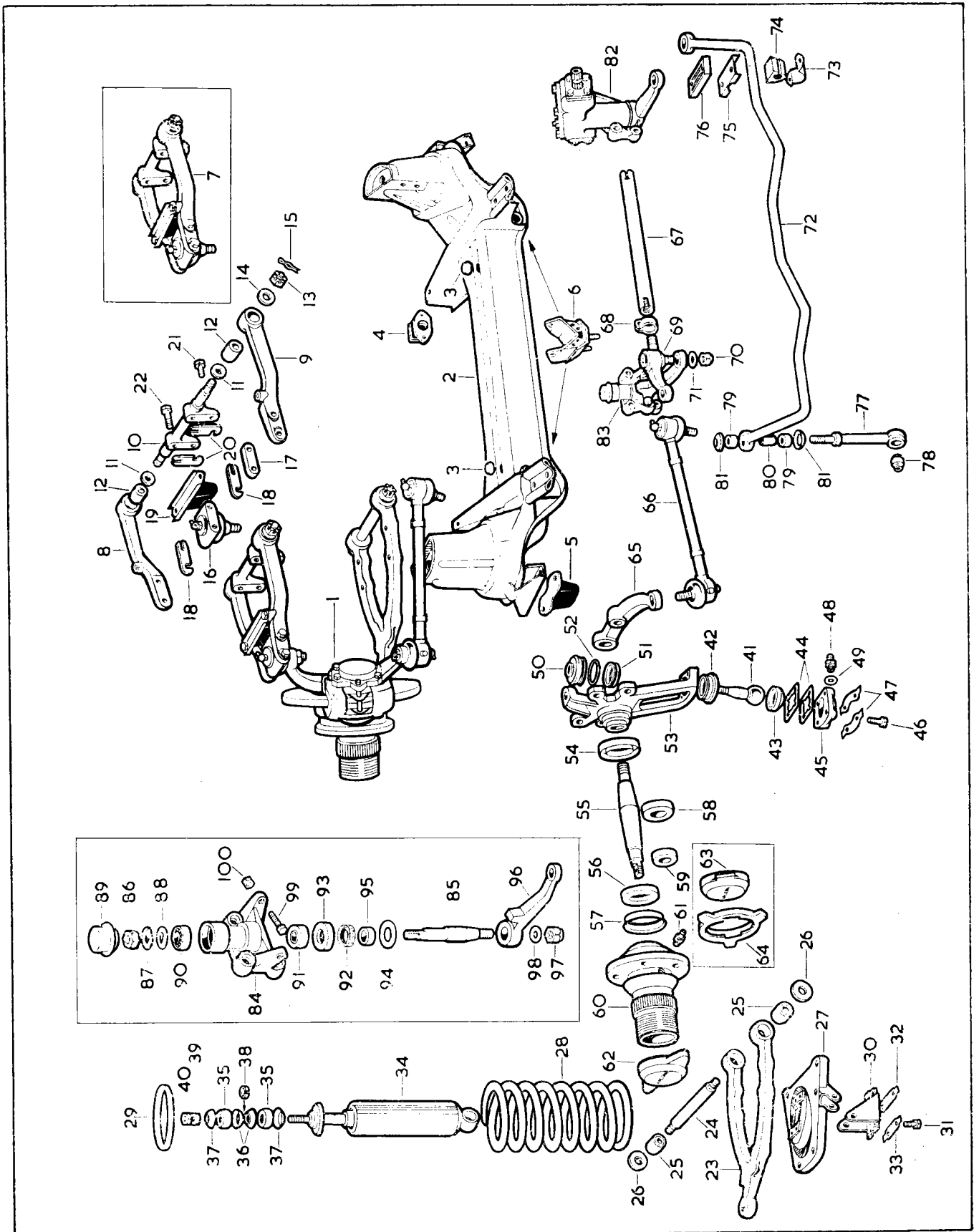


PLATE 53

REAR SUSPENSION

Part No.	Description	Plate No.	No. per Unit	Remarks
C.21393	REAR SUSPENSION CROSS MEMBER ASSEMBLY	54-1	1	
C.17198	RUBBER MOUNTING, FOR ATTACHMENT OF CROSS MEMBER TO BODY	54-2	4	
UFS.131/7R	Screw , Set, securing Rubber Mounting to Body		8	
C.8667/2	Nut , Self-Locking, on Screws, and on Studs of Rubber Mounting		10	
C.8737/2	Nut , Self-Locking, on Studs of Rubber Mounting		2	
FW.105/T	Washer , Plain, on Studs of Rubber Mounting		2	
UFB.131/25R	Bolt , securing Rubber Mounting to Body		8	
C.8737/2	Nut , Self-Locking, on Bolts		8	
C.21977	MOUNTING, FOR INNER FULCRUM SHAFT	54-3	2	
C.17009	Screw , Set, (Long) securing Fulcrum Mountings to Final Drive Unit at rear		2	
C.17010	Screw , Set, (Short) securing Fulcrum Mountings to Final Drive Unit at front		2	
C.28427	Shim (.005" thick) under Fulcrum Mountings, for Fulcrum Shaft alignment	54-4	As req'd	
C.28428	Shim (.007" thick) under Fulcrum Mountings, for Fulcrum Shaft alignment	54-4	As req'd	
C.837	Wire , locking Setscrews		As req'd	
C.20651	PLATE, BRACING LOWER FACE OF CROSS MEMBER AT CENTRE	54-5	1	
UFS.131/5R	Screw , securing Plate to Mounting for Inner Fulcrum Shafts and Plate to Cross Member		14	
FG.105/X	Washer , Spring, on Setscrews, securing Mounting to Plate		8	
C.8737/2	Nut , Self-Locking, on Setscrews, securing Plate to Cross Member		6	
C.20297	R.H. WISHBONE ASSEMBLY	54-6	1	
C.20298	L.H. WISHBONE ASSEMBLY		1	

REAR SUSPENSION

Part No.	Description	Plate No.	No. per Unit	Remarks
C.17008	FULCRUM SHAFT, FOR INNER MOUNTING OF WISHBONES	54-7	2	
C.17663/1	Distance Tube , on Fulcrum Shafts	54-8	2	
C.17168/1	Bearing Tube , on Fulcrum Shafts	54-9	4	
C.17167	Needle Bearing , on Tubes, for Wishbones	54-10	8	
C.17166	Thrust Washer , Inner, at each end of Bearing Tubes	54-11	8	
C.17213	Sealing Ring , on Inner Thrust Washers	54-12	8	
C.17936	Retainer , for Sealing Rings	54-13	8	
C.17165	Thrust Washer , Outer, on Fulcrum Shafts	54-14	8	
C.8667/5	Nut , Self-Locking, on Fulcrum Shafts		4	
C.3044/1	Grease Nipple , for lubrication of Inner Fulcrum Shaft Bearings	54-15	4	
C.16624	FULCRUM SHAFT, MOUNTING WISHBONES TO HUB CARRIER	54-16	2	
C.16623	Sleeve , on Fulcrum Shaft	54-17	4	
C.16626	Shim , between Sleeves, adjusting Bearing End Float (-004" thick)	54-18	As req'd	
C.16626/3	Shim , between Sleeves, adjusting Bearing End Float (-007" thick)	54-18	As req'd	
C.16029	Bearing (Taper Roller) on Fulcrum Shafts (Timken 03162/03062)	54-19	4	
C.16628	Seating Ring , on Fulcrum Shafts, for Oil Seal	54-20	4	
C.20178	Oil Seal (Felt) on Fulcrum Shafts	54-21	4	
C.20179	Container , for Oil Seal	54-22	4	
C.20180	Spacer , between Bearing and Oil Seal Container	54-23	4	
C.20182	Retaining Washer , on Seating Ring, for Oil Seal	54-24	4	
C.16626/1	Shim , on Fulcrum Shafts, for centralisation of Hub Carrier in Wishbone Fork (-003" thick)	54-25	As req'd	
C.16626/2	Shim , on Fulcrum Shafts, for centralisation of Hub Carrier in Wishbone Fork (-007" thick)	54-25	As req'd	
C.8667/7	Nut , Self-Locking, on Fulcrum Shafts		4	
C.26700	HUB CARRIER	54-26	2	
C.9048	Grease Nipple , in Carriers, for lubrication of Fulcrum Shaft Bearings		2	FOR USE WHEN DISC TYPE ROAD WHEELS ARE FITTED
C.3044/1	Grease Nipple , in Carriers, for lubrication of Fulcrum Shaft Bearings	54-27	2	FOR USE WHEN WIRE SPOKE ROAD WHEELS ARE FITTED
C.18124	Grease Retaining Cap , at top of Hub Carriers	54-28	2	
C.20835	REAR HUB ASSEMBLY	54-29	2	FOR USE WITH DISC TYPE ROAD WHEELS
C.13365	Stud , in Hubs, fixing Road Wheels		10	
C.20813	Water Thrower , on Rear Hubs	54-30	2	
C.20889	R.H. REAR HUB ASSEMBLY		1	} FOR USE WITH WIRE SPOKE ROAD WHEELS
C.20813	Water Thrower , on Rear Hub		1	
C.20890	L.H. REAR HUB ASSEMBLY		1	
C.20813	Water Thrower , on Rear Hub		1	

REAR SUSPENSION

Part No.	Description	Plate No.	No. per Unit	Remarks
C.1102	R.H. HUB CAP		1	FOR USE WHEN WIRE SPOKE ROAD WHEELS ARE FITTED. NOT REQUIRED FOR CARS EXPORTED TO GERMANY, JAPAN OR SWITZERLAND
C.1103	L.H. HUB CAP		1	
C.14891	R.H. HUB CAP		1	FOR USE WHEN WIRE SPOKE ROAD WHEELS ARE FITTED TO CARS EXPORTED TO GERMANY, JAPAN OR SWITZERLAND
C.14892	L.H. HUB CAP		1	
C.14927	TOOL FOR REMOVING AND FITTING HUB CAPS		1	Fitted from Chassis No. 1B.1001 to 1B.8821 } 3-4 litre 1B.25001 to 1B.26244 } 1B.50001 to 1B.59550 } 3-8 litre 1B.75001 to 1B.80301 }
C.28684	R.H. HUB CAP		1	FOR USE WHEN WIRE SPOKE ROAD WHEELS ARE FITTED TO CARS EXPORTED TO GERMANY, JAPAN OR SWITZERLAND
C.28685	L.H. HUB CAP		1	
C.28687	TOOL FOR REMOVING AND FITTING HUB CAPS		1	Fitted to Chassis No. 1B.8822 and subs. } 3-4 litre 1B.26245 and subs. } 1B.59551 and subs. } 3-8 litre 1B.80302 and subs. }
C.19068	OIL SEAL (OUTER) FOR HUBS	54-31	2	Fitted to Chassis No. 1B.1001 to 1B.5166 } 3-4 litre 1B.25001 to 1B.25707 } 1B.50001 to 1B.55701 } 3-8 litre 1B.75001 to 1B.78500 }
C.19067	Seating Ring, on Hubs, for Outer Oil Seal	54-32	2	
C.24789	OIL SEAL (OUTER) FOR HUBS (900462/A/1021/057)		2	Fitted to Chassis No. 1B.5167 and subs. } 3-4 litre 1B.25708 and subs. } 1B.55702 and subs. } 3-8 litre 1B.78501 and subs. }
C.24791	Seating Ring, on Hubs, for Outer Oil Seal		2	
C.19066	OUTER BEARING (TAPER ROLLER) FOR HUBS (TIMKEN 18690-18620)	54-33	2	
C.15230	INNER BEARING (TAPER ROLLER) FOR HUBS (TIMKEN 18590-18520)	54-34	2	
C.19110/A	Spacer, on Half-Shaft Splined Yoke, for Hub Bearing adjustment (.109" thick)	54-35	2	SELECTIVE SIZES. CHOOSE SPACER OF DESIRED THICKNESS
C.19110/B	Spacer, on Half-Shaft Splined Yoke, for Hub Bearing adjustment (.112" thick)	54-35	2	
C.19110/C	Spacer, on Half-Shaft Splined Yoke, for Hub Bearing adjustment (.115" thick)	54-35	2	
C.19110/D	Spacer, on Half-Shaft Splined Yoke, for Hub Bearing adjustment (.118" thick)	54-35	2	
C.19110/E	Spacer, on Half-Shaft Splined Yoke, for Hub Bearing adjustment (.121" thick)	54-35	2	
C.19110/F	Spacer, on Half-Shaft Splined Yoke, for Hub Bearing adjustment (.124" thick)	54-35	2	
C.19110/G	Spacer, on Half-Shaft Splined Yoke, for Hub Bearing adjustment (.127" thick)	54-35	2	
C.19110/H	Spacer, on Half-Shaft Splined Yoke, for Hub Bearing adjustment (.130" thick)	54-35	2	
C.19110/J	Spacer, on Half-Shaft Splined Yoke, for Hub Bearing adjustment (.133" thick)	54-35	2	

REAR SUSPENSION

Part No.	Description	Plate No.	No. per Unit	Remarks
INNER BEARING (TAPER ROLLER) FOR HUBS (TIMKEN 18590-18520) (Cont'd)				
C.19110/K	Spacer, on Half-Shaft Splined Yoke, for Hub Bearing adjustment (.136" thick)	54-35	2	} SELECTIVE SIZES. CHOOSE SPACER OF DESIRED THICKNESS
C.19110/L	Spacer, on Half-Shaft Splined Yoke, for Hub Bearing adjustment (.139" thick)	54-35	2	
C.19110/M	Spacer, on Half-Shaft Splined Yoke, for Hub Bearing adjustment (.142" thick)	54-35	2	
C.19110/P	Spacer, on Half-Shaft Splined Yoke, for Hub Bearing adjustment (.145" thick)	54-35	2	
C.19110/Q	Spacer, on Half-Shaft Splined Yoke, for Hub Bearing adjustment (.148" thick)	54-35	2	
C.19110/R	Spacer, on Half-Shaft Splined Yoke, for Hub Bearing adjustment (.151" thick)	54-35	2	
C.15231	OIL SEAL (INNER) FOR HUBS	54-36	2	
C.15232	Seating Ring, for Inner Oil Seal, on Yoke, behind Adjustment Spacer	54-37	2	
C.23655/3	HALF-SHAFT ASSEMBLY (05/501506)	54-38	2	
9406	Flange Yoke (05/202034)	54-39	2	
9407	Splined Yoke (05/221027)	54-40	2	
10420	Journal Assembly, connecting Yokes to Half-Shafts (05/501471)	54-41	4	
11948	JOURNAL ASSEMBLY, CONNECTING YOKES TO HALF-SHAFTS (05/502955)	54-41	4	
C.3363/1	Grease Nipple, for Universal Joints		4	
10421	Circlip, retaining Needle Bearings (05/245032)		16	
C.23615	JOINT COVER, PROTECTING INNER JOURNAL ASSEMBLIES		2	
C.28843	JOINT COVER (PIERCED), PROTECTING INNER JOURNAL ASSEMBLIES		2	
C.23616	JOINT COVER, PROTECTING OUTER JOURNAL ASSEMBLIES		2	
C.28844	JOINT COVER (PIERCED), PROTECTING OUTER JOURNAL ASSEMBLIES		2	
BD.1814/4	Pop Rivet, securing Joint Covers together		16	
C.2905/12	Clip, securing Joint Covers to Half-Shafts		4	
C.16621	Shim, behind Flange Yokes, for adjustment of Rear Wheel Camber Angle	54-42	As req'd	
C.15349	Nut, Self-Locking, securing Flange Yokes and Brake Discs to Final Drive Unit Flanges		8	
UFN.375/L	Slotted Nut, securing Splined Yokes in Hubs		2	
C.24923	Washer, Plain, under Slotted Nut		2	
L.105/13U	Split Pin, retaining Slotted Nut		2	
BD.15588/6	Plug, sealing access hole in Joint Covers		4	

REAR SUSPENSION

Part No.	Description	Plate No.	No. per Unit	Remarks
C.23167	REAR SUSPENSION COIL SPRING	54-43	4	
C.23413	Packing Ring , between bottom of Spring and Seat on Damper	54-44	4	
C.22847	REAR SUSPENSION DAMPER (NAP 64054579C)	54-45	4	REQUIRED FOR U.S.A., HAWAII, CANADA AND NEWFOUNDLAND
C.20096 9415	Dust Shield Assembly (64541894) Rubber Bush , in eyes of Dampers (64541886)		4 8	
C.19821 8687	Seat , for Rear Suspension Coil Springs (64541895) Retainer , for Rear Suspension Coil Springs (64540894)	54-46 54-47	4 8	
UFB.143/16R	Bolt , securing Dampers, at top, to Rear Suspension Cross Member		4	
C.17012	Sleeve , on Bolts		4	
C.8737/4	Nut , Self-Locking, on Bolts		4	
FW.107/T	Washer , Plain, under Nuts		4	
C.17013	Mounting Shaft , for lower fixing of Dampers	54-48	2	
C.8737/4	Nut , Self-Locking, securing Dampers to Wishbones		2	
C.3052	Washer , Plain, under Nuts		4	
C.20606	REAR SUSPENSION DAMPER (64054466) Individual items as for Rear Suspension Damper C.22847		4	NOT REQUIRED FOR U.S.A., HAWAII, CANADA AND NEWFOUNDLAND
C.17202	BUMP STOP, ON BODY UNDERFRAME	54-49	2	
C.8667/2	Nut , Self-Locking, securing Bump Stops		4	
C.23824	RADIUS ARM ASSEMBLY	54-50	2	
C.23782	Rubber Bush , for front end of Radius Arm		2	
C.17146	Rubber Bush , for rear end of Radius Arm		2	
C.17149/1	Bolt , Special, securing Radius Arms to Wishbones		2	
C.8737/5	Nut , Self-Locking, on Bolts		2	
C.23492	SAFETY STRAP ASSEMBLY AT MOUNTING OF RADIUS ARMS TO BODY	54-51	2	Fitted from Chassis No. 1B.1001 to 1B.1019 } 3-4 litre 1B.25001 to 1B.25009 } 1B.50001 to 1B.50364 } 3-8 litre 1B.75001 to 1B.75065 }
C.19045	Bolt , securing Radius Arms to Body		2	
C.837	Wire , locking Bolts		As req'd	
UFS.131/6R	Screw , Set, securing Safety Straps to Body		4	
C.725	Washer , Shakeproof, on Setscrews		4	
C.23496	SAFETY STRAP ASSEMBLY AT MOUNTING OF RADIUS ARMS TO BODY		2	Fitted to Chassis No. 1B.1020 and subs. } 3-4 litre 1B.25010 and subs. } 1B.50365 and subs. } 3-8 litre 1B.75066 and subs. }

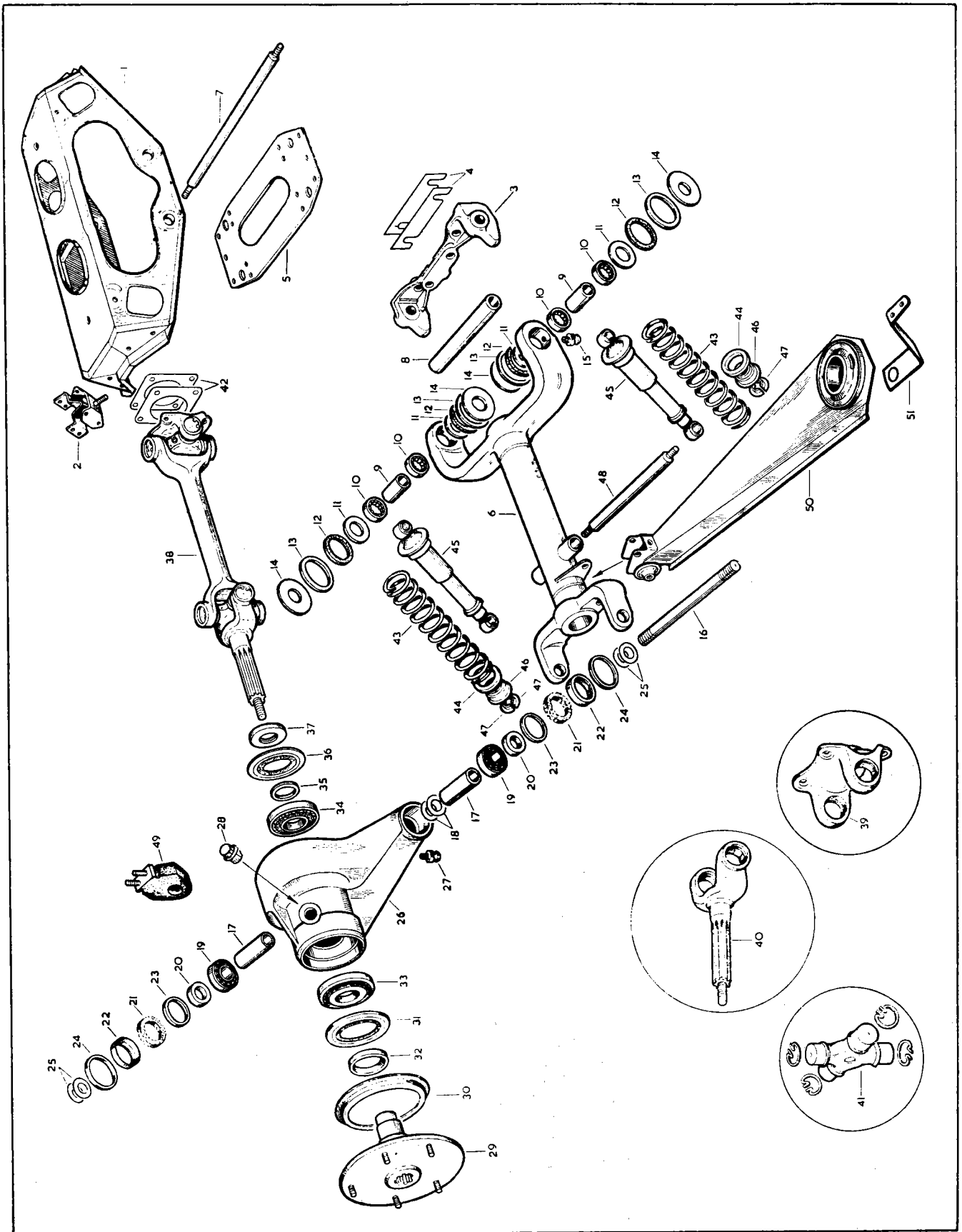


PLATE 54

ROAD WHEELS

Part No.	Description	Plate No.	No. per Unit	Remarks
C.27022	DISC TYPE ROAD WHEEL (5J. RIM x 15" DIAMETER)		5	
C.3041	Nut, securing Disc type Road Wheels to Hubs		20	
C.14766	WIRE SPOKE ROAD WHEEL (5K. RIM x 15" DIAMETER) (PAINTED STOVED ALUMINIUM)		5	Fitted from Chassis No. 1B.1001 to 1B.8444 } 3-4 litre 1B.25001 to 1B.26223 } 1B.50001 to 1B.59493 } 3-8 litre 1B.75001 to 1B.80281 } SUPPLIED TO SPECIAL ORDER ONLY
7784	Long Spoke		120	
7790	Short Spoke		240	
C.5604	Nipple, for Spokes		360	
C14802	WIRE SPOKE ROAD WHEEL (5K. RIM x 15" DIAMETER) (CHROMIUM)		5	SUPPLIED TO SPECIAL ORDER ONLY
7796	Long Spoke (Chromium Plated)		120	
7801	Short Spoke (Chromium Plated)		240	
C.9144	Nipple, for Spokes		360	
C.28043	WIRE SPOKE ROAD WHEEL (5K. RIM x 15" DIAMETER) (PAINTED STOVED ALUMINIUM)		5	Fitted to Chassis No. 1B.8445 and subs. } 3-4 litre 1B.26224 and subs. } 1B.59494 and subs. } 3-8 litre 1B.80282 and subs. } SUPPLIED TO SPECIAL ORDER ONLY
C 28044	WIRE SPOKE ROAD WHEEL (5K. RIM x 15" DIAMETER) (CHROMIUM PLATED)		5	
Individual items are as C.14766 and C.14802				
C.17422	TYRE FOR ROAD WHEELS (6-40 x 15 RS.5)		5	
C.24198	TYRE FOR ROAD WHEELS (185 x 15 SP.41)		5	
C.22229	TYRE FOR ROAD WHEELS ("WHITE WALL" 6-40 x 15 RS.5)		5	SUPPLIED TO SPECIAL ORDER ONLY

ROAD WHEELS

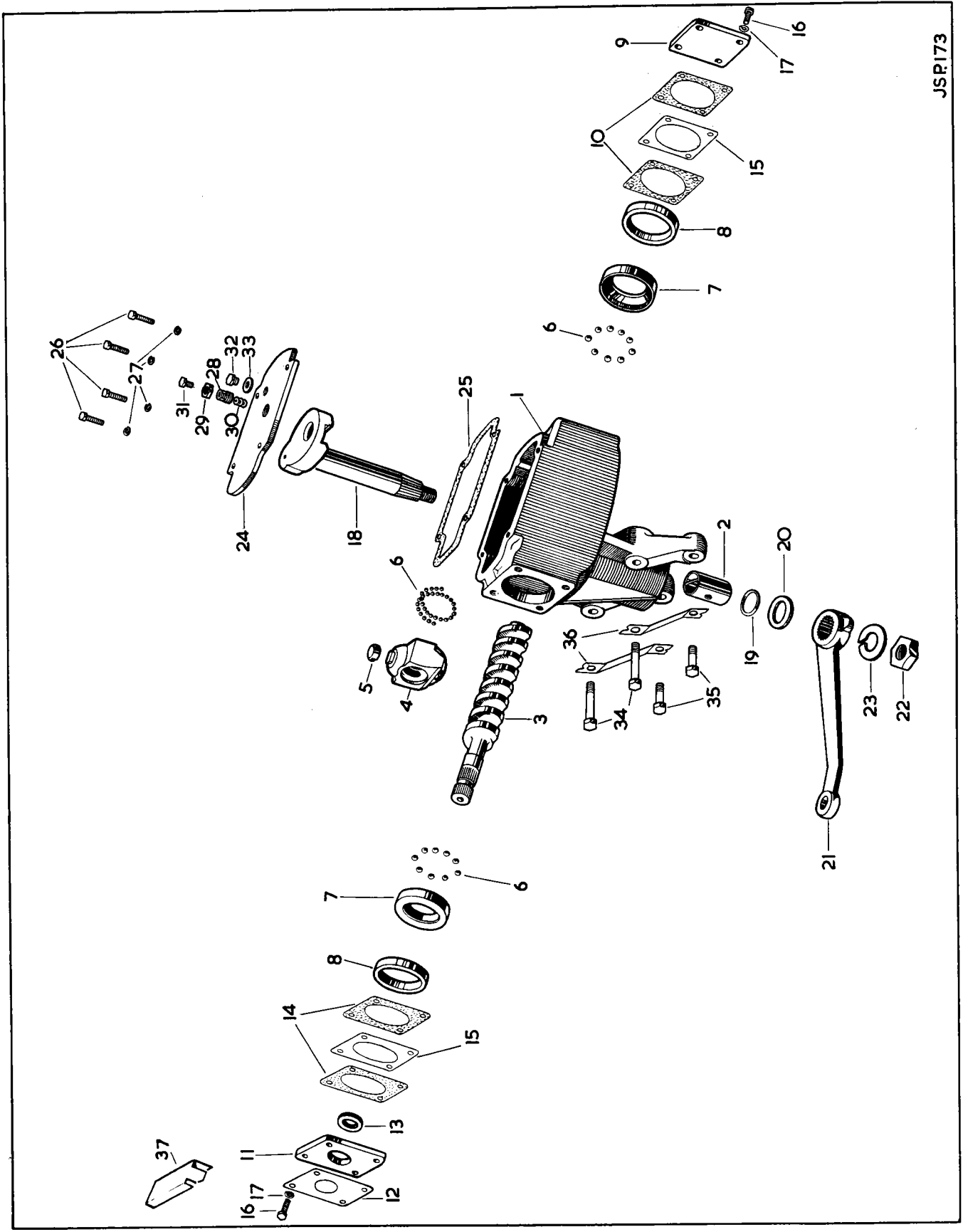
Part No.	Description	Plate No.	No. per Unit	Remarks
C.24197	TYRE FOR ROAD WHEELS ("WHITE WALL" 185 x 15 SP.41)		5	SUPPLIED TO SPECIAL ORDER ONLY
C.12567	TUBE FOR TYRES (6-40 x 15)		5	SUPPLIED TO SPECIAL ORDER ONLY
C.24199	TUBE FOR TYRES (185 x 15)		5	
C.3243	NAVE PLATE FOR ROAD WHEELS		4	FOR USE ONLY WITH DISC TYPE ROAD WHEELS
C.3367	BADGE ("JAGUAR") FOR NAVE PLATE		4	} FOR USE ONLY WITH DISC TYPE ROAD WHEELS SUPERSEDED BY C.23963
AN.104/K	Nut (Brass) securing Badge to Nave Plates		8	
C.736	Washer, Shakeproof, under Nuts		8	
C.23963	BADGE ("JAGUAR") FOR NAVE PLATE		4	} SUPERSEDES C.3367 FOR DISC TYPE ROAD WHEELS
C.22583	Spire Nut, securing Badge to Nave Plates		8	
BALANCE WEIGHTS FOR ROAD WHEELS				
C.3985	Balance Weight (½ oz.)			As req'd
C.3986	Balance Weight (1 oz.)			As req'd
C.3987	Balance Weight (1½ oz.)			As req'd
C.3988	Balance Weight (2 oz.)			As req'd
C.3989	Balance Weight (2½ oz.)			As req'd
C.3990	Balance Weight (3 oz.)			As req'd
C.21983	RIMBELLISHER (FOR USE WITH 5J ROAD WHEELS)		5	
C.17940	L.H. WHEEL DISC (FOR USE WITH 5J ROAD WHEELS)		2	SUPPLIED TO SPECIAL ORDER ONLY
C.17940/1	R.H. WHEEL DISC (FOR USE WITH 5J ROAD WHEELS)		2	SUPPLIED TO SPECIAL ORDER ONLY

STEERING UNIT

Part No.	Description	Plate No.	No. per Unit	Remarks
C.14845	STEERING BOX ASSEMBLY, COMPLETE (SF.414) (RATIO 20:3:1)		1	STANDARD FITMENT TO R.H. DRIVE CARS ONLY
C.14846	STEERING BOX ASSEMBLY, COMPLETE (SF.415) (RATIO 20:3:1)		1	STANDARD FITMENT TO L.H. DRIVE CARS ONLY
7919	Steering Box only (S.1-135)	63-1	1	R.H. DRIVE CARS ONLY
7920	Steering Box only (S.1-134)		1	L.H. DRIVE CARS ONLY
6409	Trunnion Bush, at bottom of Steering Box (19-9-5)	63-2	1	
7921	Inner Column Worm (S.3-290)	63-3	1	} R.H. DRIVE CARS ONLY
7922	Main Nut (complete with Transfer Tube but less Steel Balls) (S.2-52)	63-4	1	
7923	Inner Column Worm (S.3-292)		1	} L.H. DRIVE CARS ONLY
7924	Main Nut (complete with Transfer Tube but less Steel Balls) (S.2-53)		1	
146	Roller, on Spigot of Main Nut for Rockershaft traverse (24-5-4)	63-5	1	
136	Steel Ball, around Main Nut and Inner Column Worm (17-3-1)	63-6	51	
7925	Ball Race (Adjustable) at each end of Inner Column Worm (S.23-15)	63-7	2	
7926	Distance Piece, between Adjustable Ball Race and End Plates (12-9-32)	63-8	2	
6419	End Plate, at bottom of Steering Box (S.11-38)	63-9	1	
6414	Gasket, between Lower End Plate and Steering Box (S.10-15)	63-10	As req'd	
6416	End Plate, at upper end of Steering Box (adjacent to splined end of Inner Column Worm) (S.11-43)	63-11	1	
7696	Plate, retaining Oil Seal in End Plate (S.10-99)	63-12	1	
6415	Oil Seal, in Upper End Plate, for Inner Column Worm (27-8-20)	63-13	1	
6417	Gasket, between Upper End Plate and Steering Box (S.10-42)	63-14	As req'd	
6418	Shim, under End Plates, for adjustment of End Float on Inner Column Worm (S.10-14)	63-15	As req'd	
UCS.131/7R	Screw, Set, securing End Plates to Steering Box	63-16	8	
FG.105/X	Washer, Spring, on Setscrews	63-17	8	
7927	Rockershaft (S.7-73)	63-18	1	
6427	'O' Ring, at bottom of Steering Box, for Rockershaft (27-9-5)	63-19	1	
6428	Washer, retaining 'O' Ring in Steering Box (12-9-2)	63-20	1	
C.14847	Drop Arm, on Rockershaft (S.9-149)	63-21	1	
UFN.275/L	Nut, securing Drop Arm to Rockershaft	63-22	1	
6430	Spring Washer, under Nut (12-8-22)	63-23	1	
7929	Cover Plate, at top of Steering Box (S.12-67)	63-24	1	R.H. DRIVE CARS ONLY
7930	Cover Plate, at top of Steering Box (S.12-68)		1	L.H. DRIVE CARS ONLY
6423	Gasket, under Cover Plate (S.10-16)	63-25	1	
UCS.131/8R	Screw, Set, securing Cover Plate to Steering Box	63-26	4	
FG.105/X	Washer, Spring, on Setscrews	63-27	4	
7931	Screw, in Cover Plate, for adjustment of Rockershaft (25-8-7)	63-28	4	
7932	Nut, locking Adjusting Screw (11-8-10)	63-29	1	
7597	Spring, inside Adjusting Screw (36-7-2)	63-30	1	
7933	Bolt, applying tension to Spring (10-7-3)	63-31	1	
144	Oil Filler Plug, in Cover Plate (21-7-2)	63-32	1	
C.2296/5	Washer, under Filler Plug	63-33	1	
C.11919	Bolt (Long) securing Steering Box to Front Suspension Cross Member	63-34	2	
UFB.137/14R	Bolt (Short) securing Steering Box to Front Suspension Cross Member	63-35	2	
C.11958	Tab Washer, retaining Bolts	63-36	2	

STEERING UNIT

Part No.	Description	Plate No.	No. per Unit	Remarks
C.13740	STONEGUARD AT TOP OF STEERING BOX	63-37	1	R.H. DRIVE CARS ONLY
C.13739	STONEGUARD AT TOP OF STEERING BOX		1	L.H. DRIVE CARS ONLY
FW.105/T	Washer, Plain, at fixings of Stoneguard		1	



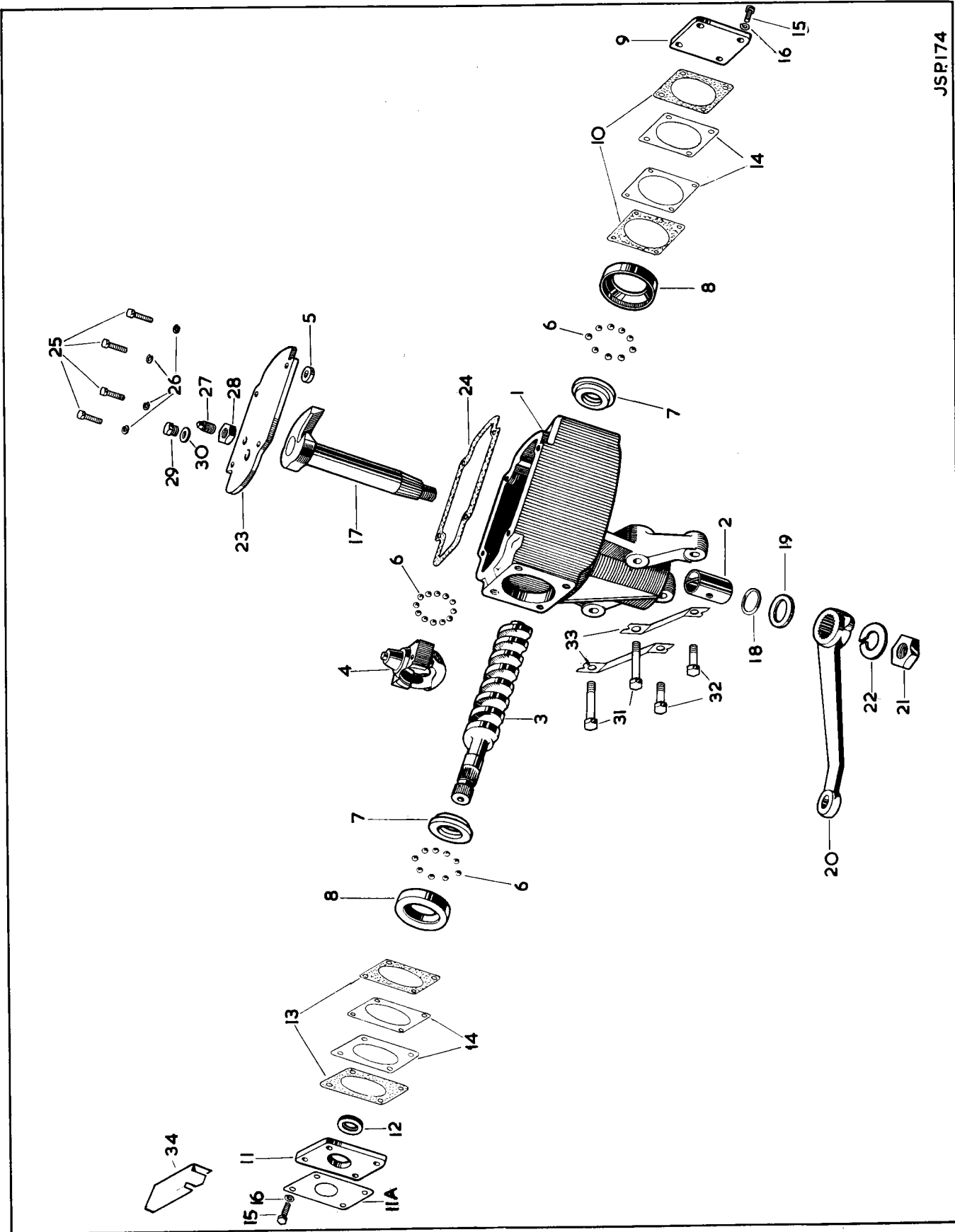
STEERING UNIT (HIGH RATIO)

Part No.	Description	Plate No.	No. per Unit	Remarks
C.8927	STEERING BOX ASSEMBLY, COMPLETE (SF.211) (RATIO 17-6:1)		1	SUPPLIED TO SPECIAL ORDER FOR R.H. DRIVE CARS ONLY
C.8928	STEERING BOX ASSEMBLY, COMPLETE (SF.212) (RATIO 17-6:1)		1	SUPPLIED TO SPECIAL ORDER FOR L.H. DRIVE CARS ONLY
6407	Steering Box only (S.1-80)	64-1	1	R.H. DRIVE CARS ONLY
6408	Steering Box only (S.1-79)		1	L.H. DRIVE CARS ONLY
6409	Trunion Bush, at bottom of Steering Box (19-9-5)	64-2	1	
6412	Inner Column Worm (S.3-167)	64-3	1	R.H. DRIVE CARS ONLY
6420	Main Nut (complete with Transfer Tube but less Steel Balls)	64-4	1	
6413	Inner Column Worm (S.3-168)		1	L.H. DRIVE CARS ONLY
6421	Main Nut (complete with Transfer Tube but less Steel Balls)		1	
146	Roller, on Spigot of Main Nut, for Guide Slot in Cover Plate (24-5-1)	64-5	1	
137	Steel Ball, around Main Nut and Inner Column Worm (17-4-1)	64-6	30	
6411	Washer, for seating Steel Balls, at each end of Inner Column Worm (12-8-32)	64-7	2	
6410	Ball Race (Adjustable) at each end of Inner Column Worm (5-23-10)	64-8	2	
6419	End Plate, at bottom of Steering Box (S.11-38)	64-9	1	
6414	Gasket, between Lower End Plate and Steering Box (S.10-15)	64-10	As req'd	
6416	End Plate, at upper end of Steering Box (adjacent to splined end of Inner Column Worm) (S.11-43)	64-11	1	
7696	Plate, retaining Oil Seal in End Plate (S.10-99)	64-11A	1	
6415	Oil Seal, in Upper End Plate, for Inner Column Worm (27-8-20)	64-12	1	
6417	Gasket, between Upper End Plate and Steering Box (S.10-42)	64-13	As req'd	
6418	Shim, under End Plates, for adjustment of End Float on Inner Column Worm (S.10-14)	64-14	As req'd	
UCS.131/7R	Screw, Set, securing End Plates to Steering Box	64-15	8	
FG.105/X	Washer, Spring, on Setscrews	64-16	8	
6422	Rockershaft (S.7-44)	64-17	1	
6427	'O' Ring, at bottom of Steering Box, for Rockershaft (27-9-5)	64-18	1	
6428	Washer, retaining 'O' Ring in Steering Box (12-9-2)	64-19	1	
6429	Drop Arm, on Rockershaft (S.9-96)	64-20	1	
UFN.275/L	Nut, securing Drop Arm to Rockershaft	64-21	1	
6430	Spring Washer, under Nut (12-8-22)	64-22	1	
6424	Cover Plate, at top of Steering Box (S.12-12)	64-23	1	R.H. DRIVE CARS ONLY
6425	Cover Plate, at top of Steering Box (S.12-13)		1	L.H. DRIVE CARS ONLY
6423	Gasket, under Cover Plate (S.10-16)	64-24	1	
UCS.131/8R	Screw, Set, securing Cover Plate to Steering Box	64-25	4	
FG.105/X	Washer, Spring, on Setscrews	64-26	4	
6426	Screw, in Cover Plate, for adjustment of Rockershaft (25-7-2)	64-27	4	
UFN.262/L	Nut, locking Adjusting Screw	64-28	1	
144	Oil Filler Plug, in Cover Plate (21-7-2)	64-29	1	
C.2296/5	Washer, under Filler Plug	64-30	1	
C.11919	Bolt (Long) securing Steering Box to Front Suspension Cross Member	64-31	2	
UFB.137/14R	Bolt (Short) securing Steering Box to Front Suspension Cross Member	64-32	2	
C.11958	Tab Washer, retaining Bolts	64-33	2	

STEERING UNIT

(HIGH RATIO)

Part No.	Description	Plate No.	No. per Unit	Remarks
C.12212	STEERING BOX ASSEMBLY, COMPLETE (RATIO 15.7:1)		1	} SUPPLIED TO SPECIAL ORDER FOR R.H. DRIVE CARS ONLY
7505	Inner Column Worm (S.3-231)		1	
7778	Main Nut (S.2-13)		1	
	All other items as for C.8927			
C.12213	STEERING BOX ASSEMBLY, COMPLETE (RATIO 15.7:1)		1	} SUPPLIED TO SPECIAL ORDER FOR L.H. DRIVE CARS ONLY
7761	Inner Column Worm (S.3-274)		1	
7809	Main Nut (S.2-12)		1	
	All other items as for C.8928			
C.13740	STONEGUARD, AT TOP OF STEERING BOX	64-34	1	R.H. DRIVE CARS ONLY
C.13739	STONEGUARD, AT TOP OF STEERING BOX		1	L.H. DRIVE CARS ONLY
FW.105/T	Washer, Plain, at fixings of Stoneguard		1	



JSP174

POWER-ASSISTED STEERING UNIT

Part No.	Description	Plate No.	No. per Unit	Remarks
C.23597	STEERING BOX ASSEMBLY (SP.1-753) (RATIO 16:7:1)		1	FOR R.H. DRIVE CARS ONLY Fitted from Chassis No. 1B.1609 to 1B.5301 3-4 litre 1B.51300 to 1B.55835 3-8 litre
10494	Steering Box, complete with Top Cover, Trunnion Bush, Sleeve, and Oil Seal Housing (4-2379)	65-1	1	
10162	Bolt, fixing Top End Plate (10-2-6)	65-2	2	
10163	Bolt, fixing Top End Plate (10-2-9)	65-3	6	
8218	Washer, Spring, on Bolts (12-2-6)	65-4	8	
10164	Stud, fixing Bottom End Plate (13-3-24)	65-5	4	
7570	'O' Ring, on Studs (27-3-1)	65-6	4	
8215	Nut, securing Bottom End Plate (11-3-8)	65-7	4	
102	Washer, Spring, under Nuts (12-3-1)	65-8	4	
8197	Dowel, 1/4", positioning Top Cover on Steering Box (35-2-14)	65-9	1	
10508	Dowel, 5/16", positioning Top Cover on Steering Box (35-3-11)	65-10	2	
7570	'O' Ring, on Dowels (27-3-1)	65-11	2	
10180	Stud, fixing Top Cover (13-3-27)	65-12	6	
7570	'O' Ring, on Studs (27-3-1)	65-13	6	
8215	Nut, securing Top Cover (11-3-8)	65-14	6	
102	Washer, Spring, under Nuts (12-3-1)	65-15	6	
9081	Race, for Rollers at bottom of Inner Column (38-10-5)	65-16	1	
8227	Rollers, at bottom of Inner Column (18-1-3)	65-17	21	
8223	Adjustable Ball Race, below Inner Column Rollers (S.23-26)	65-18	2	
136	Ball, between Adjustable Races (17-3-1)	65-19	11	
9078	Bottom End Plate (S.11-78)	65-20	1	
9077	Sealing Sleeve, in Bottom End Plate (27-7-12)	65-21	1	
7609	Shim, for Bottom End Plate (.0025" thick) (S.10-101)	65-22	As req'd	} SELECTIVE SIZES
8213	Shim, for Bottom End Plate (.004" thick) (S.10-110)	65-22	As req'd	
7610	Shim, for Bottom End Plate (.005" thick) (S.10-102)	65-22	As req'd	
7611	Shim, for Bottom End Plate (.010" thick) (S.10-103)	65-22	As req'd	
10166	Inner Column and Main Nut Assembly (complete with Torsion Bar) (3.3601)	65-23	1	
10167	Piston Ring, for Main Nut (27-12-22)	65-24	2	
9080	Balls (Black Finish) in Main Nut (17-3-3)	65-25	18	
136	Balls (Bright Finish) in Main Nut (17-3-1)	65-26	19	
8200	Packing Piece, behind Roller Race at top of Inner Column (12-10-28)	65-27	1	
7572	'O' Ring, on Packing Piece (27-12-13)	65-28	1	
8228	Race, for Rollers at top of Inner Column (38-12-6)	65-29	1	
8227	Rollers, at top of Inner Column (18-1-3)	65-30	24	
8226	Washer, retaining Rollers in Race (12-11-19)	65-31	1	
8229	Circlip, retaining Race in Top End Plate (31-12-8)	65-32	1	
10168	Top End Plate (S.11-82)	65-33	1	
8216	Seal, for Inner Column, in Top End Plate (27-8-34)	65-34	1	
7582	'O' Ring, on Top End Plate (27-12-11)	65-35	1	
10495	Rockershaft (S.7-110)	65-36	1	
10170	'O' Ring, inside Trunnion of Steering Box (27-10-2)	65-37	2	
C.22923	Drop Arm (S.9-226)	65-38	1	
10171	Nut, securing Drop Arm to Rockershaft (11-8-14)	65-39	1	
10172	Washer, under Nut (12-8-36)	65-40	1	
8220	'O' Ring, between Steering Box and Top Cover (27-12-14)	65-41	1	
9085	'O' Ring, at top of Rockershaft (27-8-37)	65-42	1	
10496	Top Cover (S.12-134)	65-43	1	NOT SUPPLIED SEPARATELY. USE STEERING BOX NO. 10494
10497	Adjusting Screw, in Top Cover, for Rockershaft (25-8-9)	65-44	1	
10498	Spring, for Adjusting Screw (36-7-9)	65-45	1	
10499	Shim (Copper) on Adjusting Screw (12-8-79)	65-46	2	
10502	Shim (Steel) on Adjusting Screw (.005" thick) (12-8-80)	65-47	As req'd	} SELECTIVE SIZES
10503	Shim (Steel) on Adjusting Screw (.010" thick) (12-8-81)	65-47	As req'd	
10504	Shim (Steel) on Adjusting Screw (.015" thick) (12-8-82)	65-47	As req'd	
9680	Air Bleed Plug, in Top Cover (21-5-6)	65-48	1	
9681	Washer, on Plug (12-4-17)	65-49	1	
C.23372	Feed Pipe Assembly	65-50	1	
C.16102	Connector, securing Feed Pipe to Bottom End Plate and for attachment of Hose from Pump	65-51	1	

POWER-ASSISTED STEERING UNIT

Part No.	Description	Plate No.	No. per Unit	Remarks
STEERING BOX ASSEMBLY (SP.1-753) (RATIO 16-7:1) (Cont'd)				
C.2296/1	Copper Washer, on Connector	65-52	2	
C.13984	Banjo Bolt, securing Feed Pipe to Top Cover	65-53	1	
C.2296/4	Copper Washer, on Banjo Bolt	65-54	2	
STEERING BOX ASSEMBLY (SP.1-903)				
C.25376			1	FOR R.H. DRIVE CARS ONLY Fitted from Chassis No. 1B.5302 to 1B.8681 1B.55836 to 1B.59538
11238	Inner Column and Main Nut (complete with Torsion Bar) (3.4167)		1	
All other items are as for C.23597				
STEERING BOX ASSEMBLY (SP.1-754) (RATIO 16-7:1)				
C.23598			1	FOR L.H. DRIVE CARS ONLY Fitted from Chassis No. 1B.25116 to 1B.25776 3-4 litre 1B.75495 to 1B.78834 3-8 litre
10500	Steering Box, complete with Top Cover, Trunnion Bush, Sleeve, and Oil Seal Housing (4-2380)		1	
10175	Inner Column and Main Nut Assembly (complete with Torsion Bar) (3-3602)		1	
C.22924	Drop Arm (S.9-227)		1	
C.23373	Feed Pipe Assembly		1	
All other items as Steering Box C.23597				
STEERING BOX ASSEMBLY (SP.1-904)				
C.25377			1	FOR L.H. DRIVE CARS ONLY Fitted to Chassis No. 1B.25777 to 1B.26240 3-4 litre 1B.78835 to 1B.80292 3-8 litre
10500	Steering Box, complete with Top Cover, Trunnion Bush, Sleeve and Oil Seal Housing (4-2380)		1	
11239	Inner Column and Main Nut Assembly (complete with Torsion Bar) (3-4168)		1	
C.23373	Feed Pipe Assembly		1	
C.22924	Drop Arm (S.9-227)		1	
All other items are as for C.23597				
C.17079	Bolt, securing Steering Box to Front Suspension Cross Member		1	
FG.106/X	Washer, Spring, on Bolt		1	
C.25884	Bolt, securing Steering Box to Front Suspension Cross Member and controlling Steering Lock		1	
UFN.137/L	Nut, on Bolt		1	
FG.106/X	Washer, Spring, under Nut		1	
C.16037	Bolt, securing Steering Box to Front Suspension Cross Member		1	
C.8737/3	Nut, Self-Locking, on Bolt		1	
FW.106/T	Washer, Plain, under Nut		1	
C.19125	DUST SEAL AT TOP OF STEERING BOX	65-55	1	

POWER-ASSISTED STEERING UNIT

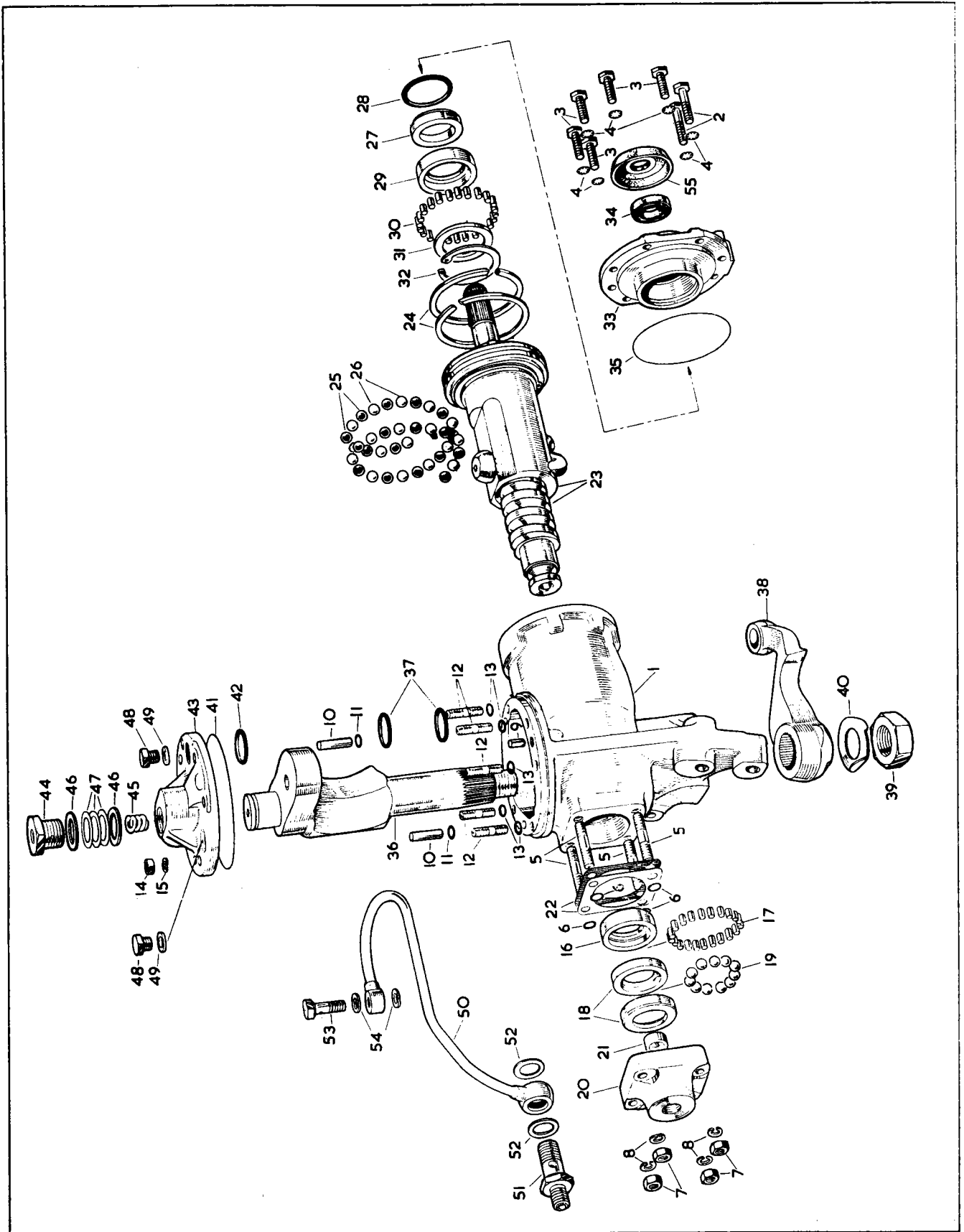
Part No.	Description	Plate No.	No. per Unit	Remarks
10178	SEALS KIT FOR POWER-ASSISTED STEERING BOX (SD.1130)		1	For use on Chassis No. 1B.1609 and subs. } 3-4 litre 1B.25116 and subs. } 1B.51300 and subs. } 3-8 litre 1B.75495 and subs. } 1B.50134 and 1B.50138 } 3-8 litre

IMPORTANT NOTE

If a major overhaul is required which involves the STEERING BOX OR THE ROCKERSHAFT OR TOP COVER on cars up to and including the undermentioned Chassis numbers, a complete replacement Steering Unit (Part No. C.23597 R.H. Drive or C.23598 L.H. Drive) MUST be fitted.

CHASSIS NUMBERS

3-4 litre		3-8 litre	
R.H. Drive	L.H. Drive	R.H. Drive	L.H. Drive
—	1B.25001 to 1B.25002	1B.50001 to 1B.50144	1B.75001 to 1B.75032
1B.1482 to 1B.1608	1B.25107 to 1B.25115	1B.51129 to 1B.51299	1B.75445 to 1B.75494
		Except Chassis number	1B.50134 and 1B.50138



POWER-ASSISTED STEERING UNIT

Part No.	Description	Plate No.	No. per Unit	Remarks
C.24210	STEERING BOX ASSEMBLY		1	FOR R.H. DRIVE CARS ONLY
9095	Steering Box, complete with Trunnion Bush, Sleeve, and Oil Seal Housing (S.1-152)	66-1	1	Fitted from Chassis No. 1B.1001 to 1B.1481 3-4 litre 1B.50145 to 1B.51128 3-8 litre also to Chassis No. 1B.50134 and 1B.50138 3-8 litre
8195	Stud, fixing Top End Plate (13-2-23)	66-2	6	
8214	Nut, on Studs (11-2-6)		6	
101	Washer, under Nuts (12-2-1)		6	
7608	Stud, fixing Bottom End Plate (13-3-15)	66-3	4	
7570	'O' Ring, on Studs (27-3-1)	66-4	4	
8215	Nut, securing Bottom End Plate (11-3-8)		4	
102	Washer, under Nuts (12-3-1)		4	
8197	Dowel, positioning Top Cover on Steering Box (35-2-14)	66-5	1	
8196	Stud, fixing Top Cover (13-2-22)	66-6	6	
7594	'O' Ring, on Studs for Top Cover (27-2-1)	66-7	6	
8222	Adjustable Ball Race (Inner) (S.23-25)	66-8	1	
8223	Adjustable Ball Race (Outer) (S.23-26)	66-9	1	
136	Ball, between Inner and Outer Adjustable Races (17-3-1)	66-10	11	
8212	Bottom End Plate (S.11-67)	66-11	1	
7609	Shim, for Bottom End Plate (.0025" thick) (S.10-101)	66-12	As req'd	} SELECTIVE SIZES
8213	Shim, for Bottom End Plate (.004" thick) (S.10-110)	66-12	As req'd	
7610	Shim, for Bottom End Plate (.005" thick) (S.10-102)	66-12	As req'd	
7611	Shim, for Bottom End Plate (.010" thick) (S.10-103)	66-12	As req'd	
8986	Inner Column and Main Nut Assembly (3-2960)	66-13	1	
8221	Piston Ring, for Main Nut (27-12-15)	66-14	2	
8205	Balls (Black Finish) in Main Nut (17-1-6)	66-15	22	
142	Balls (Bright Finish) in Main Nut (17-1-1)	66-16	22	
8202	Sleeve, inside Main Nut (12-12-19)	66-17	1	
8203	Washer, retaining Sleeve (12-12-18)	66-18	1	
8204	Circlip, behind Sleeve (31-12-9)	66-19	1	
8224	Sleeve, at end of Inner Column, for Adjustable Ball Race (28-9-26)	66-20	1	
8225	Circlip, retaining Sleeve (31-8-10)	66-21	1	
8200	Packing Piece, behind Roller Race (12-10-28)	66-22	1	
7572	'O' Ring, on Packing Piece (27-12-13)	66-23	1	
8228	Race, for Rollers, on Inner Column (38-12-6)	66-24	1	
8227	Rollers, for Inner Column (18-1-3)	66-25	24	
8226	Washer, enclosing Rollers, inside Race (12-11-19)	66-26	1	
8229	Circlip, retaining Roller Race in Top End Plate (31-12-8)	66-27	1	
8211	Top End Plate (S.11-66)	66-28	1	
8216	Seal, for Top End Plate (27-8-34)	66-29	1	
7582	'O' Ring, for Top End Plate (27-12-11)	66-30	1	
8206	Rockershaft (S.7-74)	66-31	1	
7607	'O' Ring, inside Trunnion of Steering Box, and at top of Rockershaft (27-9-6)	66-32	3	
C.17626	Drop Arm (S.9-171)	66-33	1	
8209	Nut, securing Drop Arm to Rockershaft (11-8-13)	66-34	1	
8210	Washer, under Nut (12-8-56)	66-35	1	
8220	'O' Ring, in groove at top of Steering Box, sealing Cover Plate (27-12-14)	66-36	1	
9966	Cover Plate, at top of Steering Box (S.12-113)	66-37	1	
9680	Air Bleed Plug, in Cover Plate (21-5-6)	66-38	1	
9681	Washer, on Plug (12-4-17)	66-39	1	
7600	Thrust Pad, in Cover Plate (.155" thick) (12-11-12)	66-40	1	} SELECTIVE SIZES
7661	Thrust Pad, in Cover Plate (.160" thick) (12-11-16)	66-40	1	
7601	Thrust Pad, in Cover Plate (.165" thick) (12-11-13)	66-40	1	
7662	Thrust Pad, in Cover Plate (.170" thick) (12-11-17)	66-40	1	
7602	Thrust Pad, in Cover Plate (.175" thick) (12-11-14)	66-40	1	
7663	Thrust Pad, in Cover Plate (.180" thick) (12-11-18)	66-40	1	
7603	Thrust Pad, in Cover Plate (.185" thick) (12-11-15)	66-40	1	
8207	Plunger, in recess at top of Rockershaft (S.24-15)	66-41	1	
8453	Spring, under Rockershaft Plunger (36-7-7)	66-42	1	
8219	Special Bolt, securing Cover Plate to Steering Box (10-2-16)	66-43	1	
8218	Washer, under head of Special Bolt (12-2-6)	66-44	1	
7594	'O' Ring, for Special Bolt, between Cover Plate and Steering Box (27-2-1)	66-45	1	
C.24201	Feed Pipe	66-46	1	
C.16102	Connector, securing Feed Pipe to Bottom End Plate, and for attachment of Hose from Pump	66-47	1	
C.2296/1	Copper Washer, for Connector	66-48	2	
C.13984	Banjo Bolt, securing Feed Pipe to Top Cover	66-49	1	
C.2296/4	Copper Washer, on Banjo Bolt	66-50	2	

POWER-ASSISTED STEERING UNIT

Part No.	Description	Plate No.	No. per Unit	Remarks
C.24211	STEERING BOX ASSEMBLY		1	FOR L.H. DRIVE CARS ONLY
8231	Steering Box, complete with Trunnion Bush, Sleeve and Oil Seal Housing (S.1-139)		1	Fitted from Chassis No. 1B.25003 to 1B.25106 3-4 litre 1B.75033 to 1B.75444 3-8 litre
8987	Inner Column and Main Nut Assembly (3-2961)		1	
C.16045	Drop Arm (S.9-154)		1	
9965	Cover Plate (S.12-111)		1	
C.24202	Feed Pipe		1	
	All other items are as Steering Box C.24210			
C.17079	Bolt, securing Steering Box to Front Suspension Cross Member		1	
FG.106/X	Washer, Spring, on Bolt		1	
C.25884	Bolt, securing Steering Box to Front Suspension Cross Member and controlling Steering Lock		1	
UFN.137/L	Nut, on Bolt		1	
FG.106/X	Washer, Spring, under Nut		1	
C.16037	Bolt, securing Steering Box to Front Suspension Cross Member		1	
C.8737/3	Nut, Self-Locking, on Bolt		1	
FW.106/T	Washer, Plain, under Nut		1	
C.19125	DUST SEAL AT TOP OF STEERING BOX	66-51	1	
8316	SEALS KIT FOR POWER-ASSISTED STEERING BOX		1	For use on Chassis No. 1B.1001 to 1B.1481 } 3-4 litre 1B.25003 to 1B.25106 } 1B.50145 to 1B.51128 } 3-8 litre 1B.75033 to 1B.75444 } also on Chassis No. 1B.50134 and 1B.50138 3-8 litre

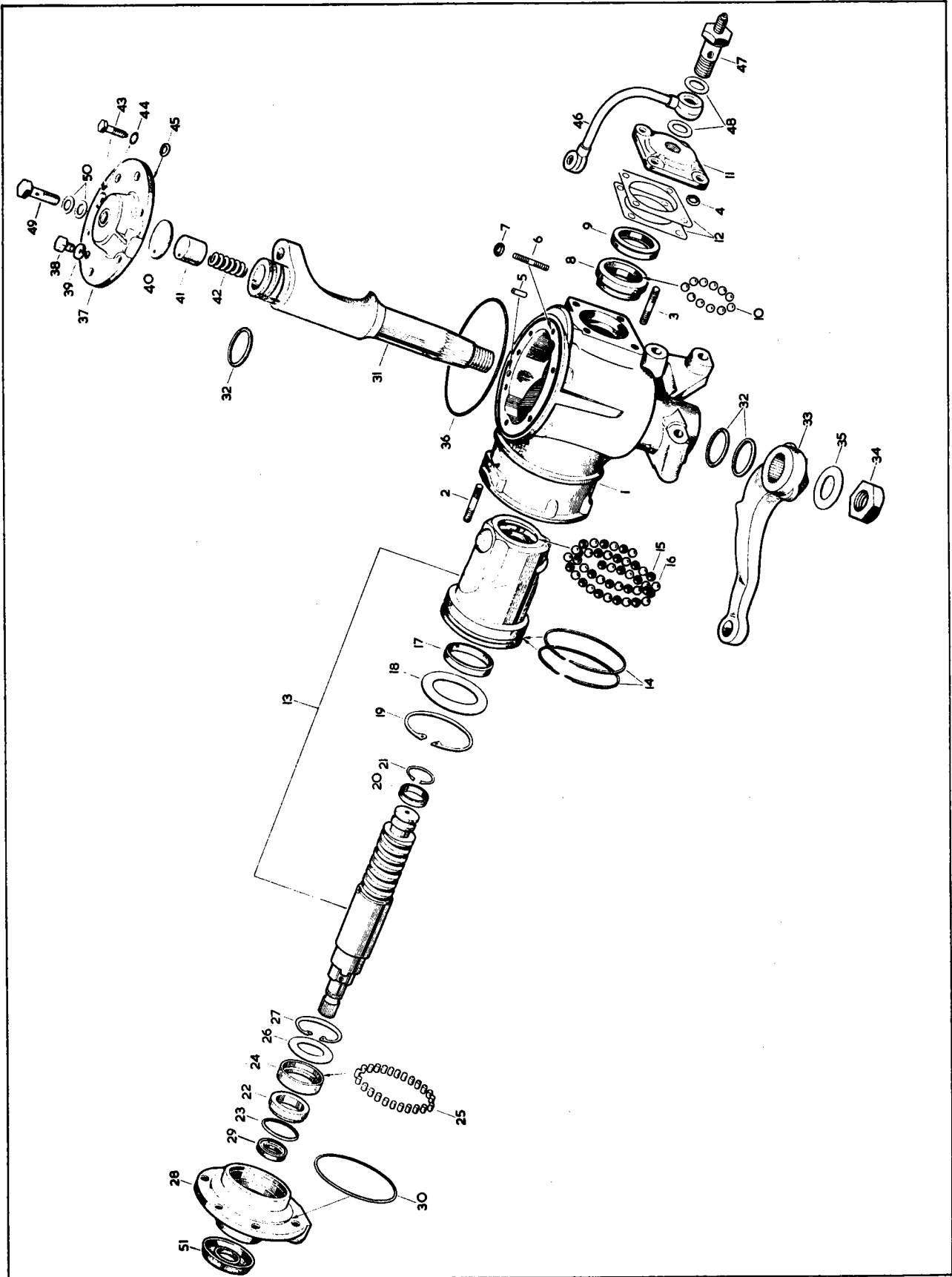


PLATE 66

POWER-ASSISTED STEERING UNIT ('VARAMATIC')

Part No.	Description	Plate No.	No. per Unit	Remarks
C.26018	STEERING BOX ASSEMBLY (HBE.1500)		1	FOR R.H. DRIVE CARS ONLY
11277	Steering Box, complete with Sector Shaft, Bush and Feed Pipe Seat (HBD.1510)	67-1	1	
10996	Screw, sealing Valve Adjustment Aperture at top of Steering Box (HBA.1028)	67-2	1	
11278	Valve and Worm Assembly (HBB.1530)	67-3	1	
10998	Ball Bearing Assembly, supporting Worm at top (HBA.1165)	67-4	1	
10999	Ball Bearing Assembly, supporting Worm at bottom (HBA.1155)	67-5	1	
11000/1	Shim (.002" thick) between Bottom Bearing and Steering Box (HBB.1038)	67-6	As req'd	} SELECTIVE SIZES
11000/2	Shim (.003" thick) between Bottom Bearing and Steering Box (HBB.1038)	67-6	As req'd	
11000/3	Shim (.010" thick) between Bottom Bearing and Steering Box (HBB.1038)	67-6	As req'd	
11279	Valve Housing Assembly (HBC.1520)	67-7	1	
11003	Bolt (Short) securing Valve Housing to Steering Box (HB.1032)	67-8	3	
11004	Bolt (Long) securing Valve Housing to Steering Box (HB.1033)	67-9	1	
FG.107/X	Washer, Spring, on Bolts (S.9030)	67-10	4	
11280	Alignment Washer, on Worm Shaft, above Valve Housing (HBB.1508)	67-11	1	
11005/1	Shim (.001" thick) between Valve Housing and Top Bearing (HBA.1018)	67-12	As req'd	} SELECTIVE SIZES
11005/2	Shim (.002" thick) between Valve Housing and Top Bearing (HBA.1018)	67-12	As req'd	
11005/3	Shim (.010" thick) between Valve Housing and Top Bearing (HBA.1018)	67-12	As req'd	
11281	Feed Pipe Assembly (HBC.1509)	67-13	1	
11007	Piston and Rack (HBC.1002)	67-14	1	
N.S.S.	Sealing Ring ('Teflon') on Piston (HBB.1012)	67-15	1	} NOT SUPPLIED SEPARATELY. USE SEALS KIT 11027
N.S.S.	'O' Ring, inside Sealing Ring (HBB.1014)	67-16	1	
11008	End Plate, for Cylinder (HBB.1004)	67-17	1	
N.S.S.	Seal, around End Plate (HB.1013)	67-18	1	NOT SUPPLIED SEPARATELY. USE SEALS KIT 11026
11009	Clip, securing End Plate (HBB.1011)	67-19	1	
11010	Plug, adjusting Rack (HBB.1007)	67-20	1	
N.S.S.	Seal, on Adjusting Plug (HB.1016)	67-21	1	NOT SUPPLIED SEPARATELY. USE SEALS KIT 11026
11011	Screw, locking Adjusting Plug (HBA.1022)	67-22	1	
11012	Thrust Pad, between Plug and Rack (HBA.1006)	67-23	1	
11013	Sector Shaft and Worm Follower Assembly (HBA.1195)	67-24	1	
11014	Top Cover Assembly (HBA.1175)	67-25	1	
11015	Bleed Screw, in Top Cover (HBB.1074)	67-26	1	
N.S.S.	Washer, on Bleed Screw (S.9742)	67-27	1	NOT SUPPLIED SEPARATELY. USE SEALS KIT 11026
11016	Screw and Lockwasher Assembly, securing Top Cover to Steering Box (HBB.1023)	67-28	4	
N.S.S.	Seal, Inner, at bottom of Sector Shaft (HBB.1021)	67-29	1	} NOT SUPPLIED SEPARATELY. USE SEALS KIT 11026
N.S.S.	Washer, between Inner and Outer Seals (HBB.1039)	67-30	1	
N.S.S.	Seal, Outer, at bottom of Sector Shaft (HBB.1019)	67-31	1	
11017	Circlip, retaining Sector Shaft Seals (HB.1027)	67-32	1	
C.25973	Drop Arm, on Sector Shaft (HBC.1504)	67-33	1	
11018	Nut, securing Drop Arm (S.9309)	67-34	1	
11019	Tab Washer, locking Nut (P.4101)	67-35	1	

POWER-ASSISTED STEERING UNIT ('VARAMATIC')

FITTED TO CHASSIS NO. 1B.26241 AND SUBS., 1B.80293 AND SUBS.

Part No.	Description	Plate No.	No. per Unit	Remarks
C.26019	STEERING BOX ASSEMBLY (HBE.1600)		1	FOR L.H. DRIVE CARS ONLY
11282	Steering Box, complete with Sector Shaft, Bush and Feed Pipe Seat (HBD.1610)		1	
11283	Valve and Worm Assembly (HBB.1630)		1	
11284	Valve Housing Assembly (HBB.1620)		1	
11285	Feed Pipe Assembly (HBC.1609)		1	
11024	Sector Shaft and Worm Follower Assembly (HBA.1205)		1	
11025	Top Cover Assembly (HBA.1215)		1	
C.25974	Drop Arm, on Sector Shaft (HBC.1604)		1	
	All other items are as for Steering Box C.26018			
C.26107	Bolt, securing Steering Box to Front Suspension Cross Member		1	REQUIRED FOR USE WITH FRONT SUSPENSION CROSS MEMBERS C.26433 AND C.26434
C.16037	Bolt, securing Steering Box to Front Suspension Cross Member		2	
C.26392	Bolt, securing Steering Box to Front Suspension Cross Member		1	
FG.106/X	Washer, Spring, on Bolts		1	
C.8737/3	Nut, on Bolts		2	REQUIRED FOR USE WITH FRONT SUSPENSION CROSS MEMBERS C.26599 AND C.26600
C.26604	Bolt, securing Steering Box to Front Suspension Cross Member		1	
C.26605	Bolt, securing Steering Box to Front Suspension Cross Member		2	
FG.106/X	Washer, Spring, on Bolts		3	
11026	SEALS KIT (EXTERNAL SEALS), FOR STEERING BOX (HBA.1185)		1	
	Comprising:—			
	Seat, for Feed Pipe (HBB.1129)		2	
	Seat, for High Pressure Pipe (HBC.1132)		1	
	Seat, for Low Pressure Pipe (HBB.1124)		1	
	Rotor Seal, Inner (HBA.1126)		1	
	Rotor Seal, Outer (HBA.1127)		1	
	Seal, under Top Cover (HBA.1031)		1	
	Nut, Self-Locking, for Sector Shaft Adjustment (HBB.1029)		1	
	Washer, on Bleed Screw (S.9742)		1	
	Seal, on Rack Adjusting Plug (HB.1016)		1	
	Seal, around Cylinder End Plate (HB.1013)		1	
	Sector Shaft Seal, Inner (HBB.1021)		1	
	Sector Shaft Seal, Outer (HBB.1019)		1	
	Washer, between Sector Shaft Seals (HBB.1039)		1	
11027	SEALS KIT (INTERNAL SEALS), FOR STEERING BOX (HBA.190)		1	
	Comprising:—			
	'O' Ring, on Valve Housing (HB.1131)		1	
	Sealing Ring ('Teflon') on Valve Sleeve (HBA.1107)		3 plus 1 spare	
	Sealing Ring ('Teflon') on Piston (HBB.1012)		1	
	'O' Ring, inside 'Teflon' Ring (HBB.1014)		1	

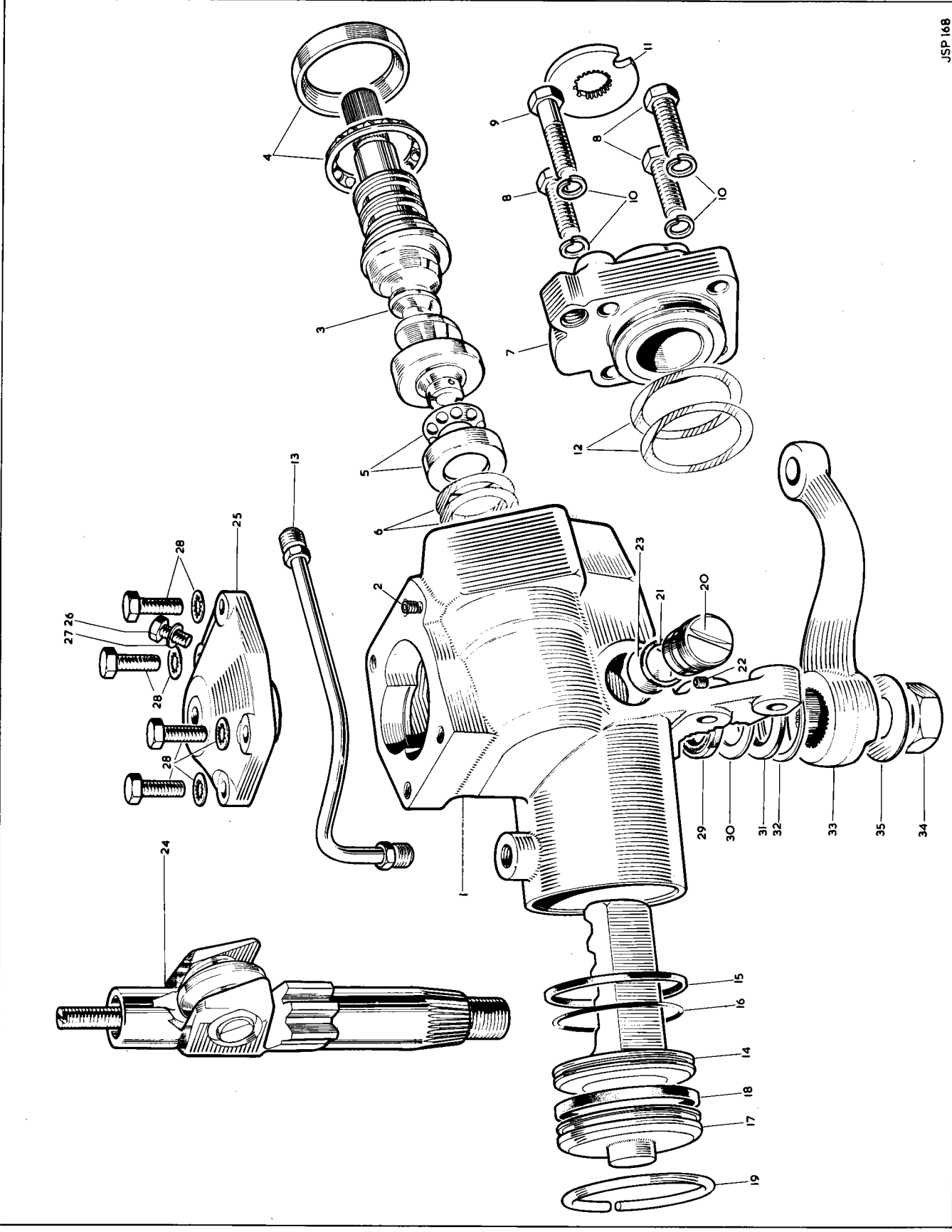


PLATE 67

OIL PUMP FOR POWER-ASSISTED STEERING UNIT

Part No.	Description	Plate No.	No. per Unit	Remarks
C.23751	OIL PUMP ASSEMBLY (HE.3709/10015F/23)		1	NOT REQUIRED ON L.H. DRIVE CARS FITTED WITH C.42 DYNAMO Fitted to Chassis No.
10234	Body Assembly (HE.6883/18)	68-1	1	1B.1482 and subs. 3-4 litre
8789	Plate, at rear of Body (HE.2853)	68-2	1	1B.50001 to 1B.50144 } 3-8 litre
8790	Screw and Lockwasher, securing End Plate to Body (HE.3544/1 ¹ / ₁₆)	68-3	4	1B.51129 and subs. } except Chassis No.
9976	Flow Control Valve Assembly (HE.5892/100)	68-4	1	1B.50134 and 1B.50138 3-8 litre
8791	Return Spring, for Flow Control Valve (HE.2836)	68-5	1	
9729	Cap, securing Flow Control Valve in Body (HE.5732)	68-6	1	
9730	'O' Ring, for Cap (HE.5734)	68-7	1	
10235	'O' Ring (Small) for By-Pass aperture (HE.6252)	68-8	1	
8795	Cam Set, (HE.5322/37) (comprising Cam Insert, Carrier and Rollers)	68-9	1	
8796	Peg, locking Cam Insert in Body (HE.2845)	68-10	1	
8797	'O' Ring (Large) between Body and Cover (HE.3631)	68-11	1	
8800	Shaft, operating Pump (HE.3824)	68-12	1	
8801	Drive Pin, between Shaft and Roller Carrier (HE.3730)	68-13	1	
7552	Circlip, on Shaft (HE.1181)	68-14	1	
7553	Thrust Button, in Cover, at bottom of Shaft (HE.1194)	68-15	1	
9393	Cover Assembly (HE.3527/A)	68-16	1	
8788	Dowel, in Cover (HE.3538)	68-17	2	
8803	Screw (Socket Head) securing Cover to Body (HE.3544/1)	68-18	6	
FC.104/X	Washer, Spring, on Screws (4975)		6	
7545	Gasket, for Venturi Tube (HE.1322)	68-19	1	
9737	Banjo, on Cover (HE.4889)	68-20	1	
9738	Banjo Bolt, securing Banjo to Cover (HE.4888)	68-21	1	
8806	Fibre Washer, under head of Banjo Bolt (HE.3213)	68-22	1	
10234	BODY ASSEMBLY (HE.6883/18)	68-1	1	
7560	Oil Seal, for Drive Shaft (HE.3545)	68-23	1	
C.23385	OIL PUMP ASSEMBLY (HE.3709/10015F/23)		1	L.H. DRIVE CARS ONLY Fitted to Chassis No.
	All individual items as C.23751			1B.25001 to 1B.25002 } 3-4 litre
				1B.25107 and subs. } 1B.75001 to 1B.75032 } 3-8 litre
				1B.75445 and subs. }
C.24214	OIL PUMP ASSEMBLY (HE.3709/8515F/23)		1	NOT REQUIRED ON L.H. DRIVE CARS FITTED WITH C.42 DYNAMO Fitted from Chassis No.
10041	Flow Control Valve Assembly (HE.5892/85)			1B.1001 to 1B.1481 3-4 litre
	All other items as C.23751			1B.50145 to 1B.51128 3-8 litre also to Chassis No. 1B.50134 and 1B.50138 3-8 litre

OIL PUMP FOR POWER-ASSISTED STEERING UNIT

Part No.	Description	Plate No.	No. per Unit	Remarks
C.23348	OIL PUMP ASSEMBLY (HE.3709/8515F/23)		1	L.H. DRIVE CARS ONLY Fitted from Chassis No. 1B.25003 to 1B.25106 3-4 litre 1B.75033 to 1B.75444 3-8 litre
10041	Flow Control Valve Assembly (HE.5892/85) All other items as C.23751		1	
10236	REPAIR KIT FOR OIL PUMP (HE.5321/17) Comprising:— 7560 Oil Seal 10235 'O' Ring 8797 'O' Ring 9730 'O' Ring 7545 Gasket 8806 Washer		1	

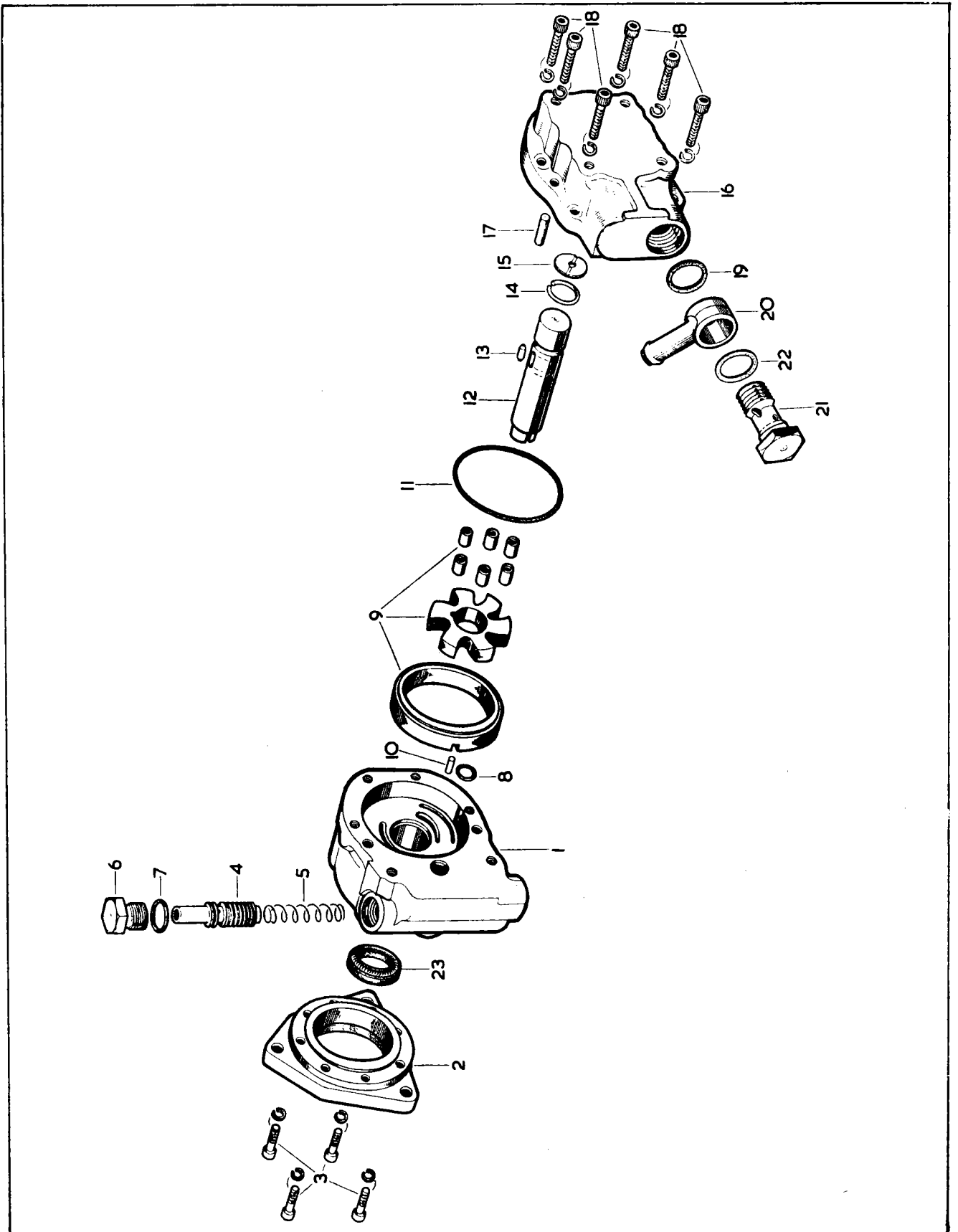


PLATE 68

HYDRAULICS FOR POWER-ASSISTED STEERING

Part No.	Description	Plate No.	No. per Unit	Remarks
C.16189/1	RESERVOIR ASSEMBLY FOR OIL FEED TO STEERING BOX (HE.4142/2)	69-1	1	
8281	Filler Cap, complete with Level Indicator (HE.2960)	69-2	1	
7753	Gasket, on Cover Bolt (HE.1324)	69-3	1	
7751	Gasket, under Cover (HE.1306)	69-4	1	
7752	Filter (Purolator MFH.117) (HE.1307)	69-5	1	
7545	'O' Ring, between Reservoir Body and Mounting Bracket (HE.1322)	69-6	2	
9595	Adaptor, at bottom of Reservoir for Oil Feed to Pump (HE.5379)	69-7	1	
9597	'O' Ring, on Adaptor (HE.5391)	69-8	1	
9596	Adaptor, at bottom of Reservoir for Oil Return from Steering Box (HE.5380)	69-9	1	
9345	'O' Ring, on Adaptor (HE.5390)	69-10	1	
C.16195	Inner Mounting Plate, for Reservoir		1	} NOT REQUIRED WHEN STEERING BOXES C.26018 AND C.26019 ARE FITTED
C.16196	Outer Mounting Plate, for Reservoir		1	
UFB.125/14R	Bolt, securing Reservoir to L.H. Front Wing Valance		3	
C.8737/1	Nut, Self-Locking, on Bolt		3	} REQUIRED WHEN C.26018 AND C.26019 STEERING BOXES ARE FITTED AT CHASSIS NOS. 1B.8682 and subs. 1B.26241 and subs. 1B.59539 and subs. 1B.80293 and subs.
FW.104/T	Washer, Plain, under Nuts		3	
C.26482	Mounting Bracket, for Reservoir		1	
UFS.125/5R	Screw, Set, securing Mounting Bracket to Body		3	}
FW.104/T	Washer, Plain, on Setscrews		3	
C.8737/1	Nut, Self-Locking, on Setscrews		3	
UFS.125/13	Screw, Set, securing Reservoir to Mounting Brackets		3	}
FW.104/T	Washer, Plain, on Setscrews		3	
C.26484	Distance Tube		3	
C.10126	Rubber Mounting		3	}
C.21930	Washer, Plain, at each side of Rubber Mountings		6	
C.8737/1	Nut, Self-Locking, on Setscrews		3	
C.24267	HOSE, FROM RESERVOIR TO PUMP	69-11	1	} NOT REQUIRED WHEN C.48 DYNAMO IS FITTED
C.2905/2	Clip, securing Hose to Reservoir and Pump	69-12	2	
C.26398	HOSE, FROM RESERVOIR TO PUMP		1	} REQUIRED WHEN C.26018 AND C.26019 STEERING BOXES ARE FITTED AT CHASSIS NOS. 1B.8682 and subs. } 3-4 litre 1B.26241 and subs. } 1B.59539 and subs. } 3-8 litre 1B.80293 and subs. }
C.2905/3	Clip, securing Hose to Reservoir and Pump		2	
C.20430	HOSE, FROM RESERVOIR TO PUMP		1	} FOR USE WHEN C.48 DYNAMO IS FITTED TO SPECIAL ORDER
C.2905/2	Clip, securing Hose to Reservoir and Pump		2	
C.18415	HOSE, FROM PUMP TO STEERING BOX FEED	69-13	1	R.H. DRIVE CARS ONLY Fitted from Chassis No. 1B.1001 to 1B.4503 3-4 litre 1B.50001 to 1B.54907 3-8 litre

HYDRAULICS FOR POWER-ASSISTED STEERING

Part No.	Description	Plate No.	No. per Unit	Remarks
C.25563	HOSE, FROM PUMP TO STEERING BOX FEED		1	R.H. DRIVE CARS ONLY Fitted from Chassis No. 1B.4504 to 1B.8681 3-4 litre 1B.54908 to 1B.59538 3-8 litre
C.26404	HOSE, FROM PUMP TO STEERING BOX FEED		1	R.H. DRIVE CARS ONLY Fitted to Chassis No. 1B.8682 and subs. 3-4 litre 1B.59539 and subs. 3-8 litre
C.1040/3 DAZ.408/10C	Clip, securing Hose to Front Suspension Cross Member Screw, Self-Tapping, securing Clip	69-14	1 1	
C.16187	HOSE, FROM PUMP TO STEERING BOX FEED		1	L.H. DRIVE CARS ONLY Fitted from Chassis No. 1B.25001 to 1B.25603 3-4 litre 1B.75001 to 1B.78103 3-8 litre
C.25564	HOSE, FROM PUMP TO STEERING BOX FEED		1	L.H. DRIVE CARS ONLY Fitted from Chassis No. 1B.25604 to 1B.26240 3-4 litre 1B.78104 to 1B.80292 3-8 litre
C.26405	HOSE, FROM PUMP TO STEERING BOX FEED		1	L.H. DRIVE CARS ONLY Fitted to Chassis No. 1B.26241 and subs. 3-4 litre 1B.80293 and subs. 3-8 litre
C.9627	Rubber Mounting, securing Hose to Valance		1	
C.1040/31	Clip, on Rubber Mounting		1	
UFN.125/L	Nut, securing Rubber Mounting and Clip		2	Fitted from Chassis No. 1B.25001 to 1B.25047 3-4 litre 1B.75001 to 1B.75144 3-8 litre
C.724	Washer, Shakeproof, under Nuts		2	
FW.104/T	Washer, Plain, under Shakeproof Washers		1	Fitted to Chassis No. 1B.25048 and subs. 3-4 litre 1B.75145 and subs. 3-8 litre
UFS.125/3R	Screw, Set, securing Rubber Mounting and Clip to Dynamo Bracket		1	
C.724	Washer, Shakeproof, on Setscrew		1	
FW.104/T	Washer, Plain, under Shakeproof Washer		1	
C.26401	HOSE, STEERING BOX TO OIL COOLER		1	R.H. DRIVE CARS EQUIPPED WITH C.26018 P.A. STEERING UNIT Fitted to Chassis No. 1B.8682 and subs. 3-4 litre 1B.59539 and subs. 3-8 litre
C.2905/1	Clip, securing Hose		1	
C.26402	HOSE, STEERING BOX TO OIL COOLER		1	L.H. DRIVE CARS EQUIPPED WITH C.26019 P.A. STEERING UNIT Fitted to Chassis No. 1B.26241 and subs. 3-4 litre 1B.80293 and subs. 3-8 litre
C.2905/1	Clip, securing Hose		1	

HYDRAULICS FOR POWER-ASSISTED STEERING

Part No.	Description	Plate No.	No. per Unit	Remarks
C.26403	HOSE, COOLER TO RESERVOIR		1	Fitted to Chassis No. 1B.8682 and subs. } 3·4 litre 1B.26241 and subs. } 1B.59539 and subs. } 3·8 litre 1B.80293 and subs. } R.H. DRIVE CARS ONLY Fitted to Chassis No. 1B.8682 and subs. } 3·4 litre 1B.59539 and subs. } 3·8 litre
C.2905/2	Clip, securing Hose		2	
C.26387	Clip, securing Cooler Hoses to Front Engine Mounting		1	
C.26385	Sleeve, for Cooler Hoses at Clip on Front Engine Mounting		2	
C.26406	Bracket, on Steering Idler fixings, anchoring Pipes		1	
C.26407	Clip, securing Pipes to Bracket		1	
UFS.119/5R	Screw, Set, through Clip		1	
C.13857	BANJO, ON END PLATE, FOR CONNECTION OF HOSE TO RESERVOIR	69-15	1	
C.15273	Banjo Bolt, securing Banjo to End Plate	69-16	1	
C.2296/1	Copper Washer, at each side of Banjo	69-17	1	
C.16098	HOSE, FROM BANJO ON END PLATE TO RESERVOIR	69-18	1	R.H. DRIVE CARS ONLY
C.2905/2	Clip, securing Hose to Banjo and Reservoir	69-19	2	
C.1040/16 DAZ.408/10C	Clip, securing Hose to Front Suspension Cross Member Screw, Self-Tapping, securing Clip		1 1	
C.16099	HOSE, FROM BANJO ON END PLATE TO RESERVOIR		1	L.H. DRIVE CARS ONLY
C.2905/2	Clip, securing Hose to Banjo and Reservoir		2	

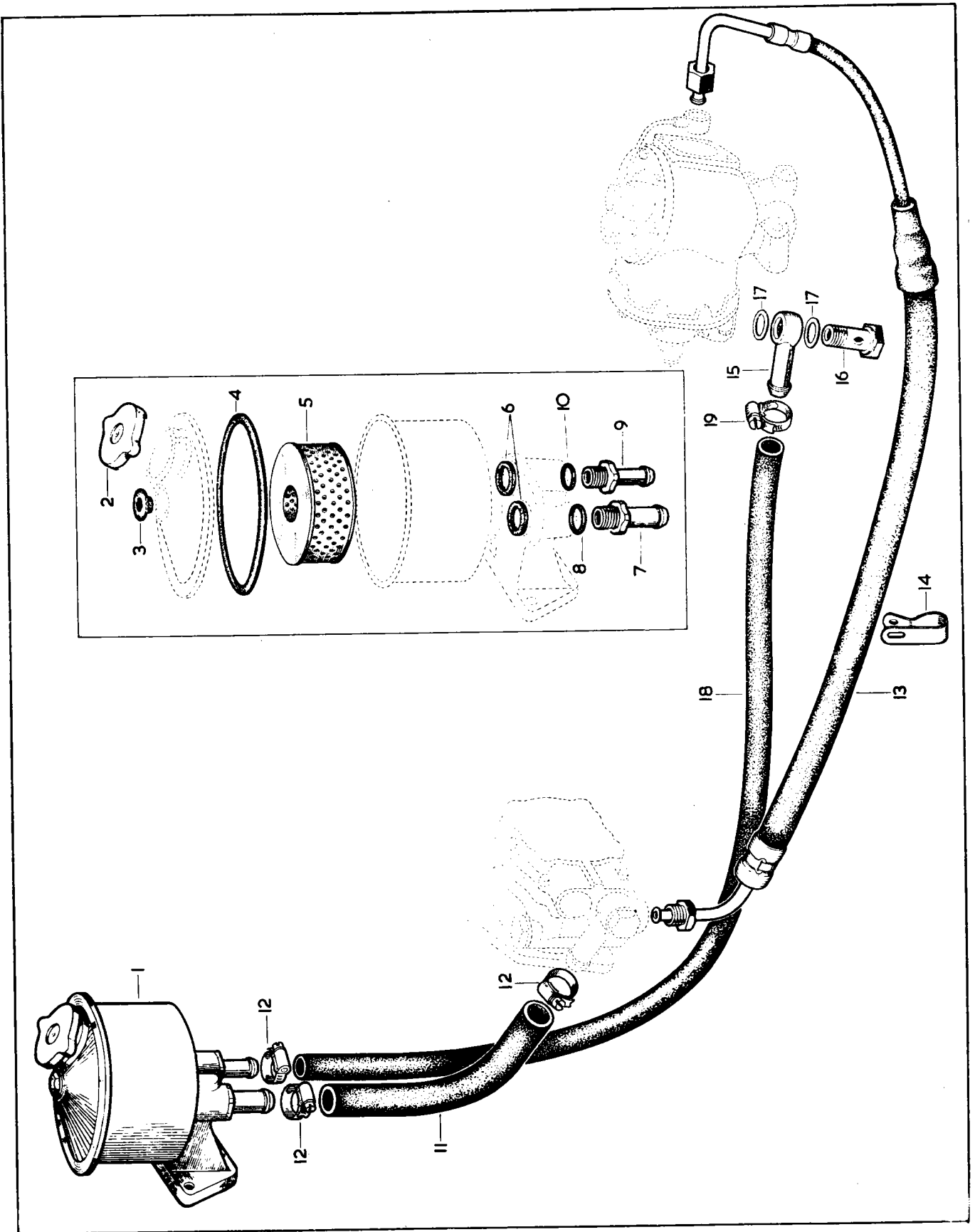


PLATE 69

STEERING COLUMN

Part No.	Description	Plate No.	No. per Unit	Remarks
C.23605/2	LOWER STEERING COLUMN ASSEMBLY (01/501450)	70-1	1	NOT REQUIRED WHEN POWER-ASSISTED STEERING IS FITTED
9612	End Yoke (01/206012)	70-2	1	
5426	Journal Assembly, connecting End Yoke to Lower Steering Column (01/500582 or KO.5-GB.1)	70-3	1	
10756	Socket, at upper end of Column (01/245647)	70-4	1	
9614	Nylon Roller, for Universal Joint of Socket (01/245387)	70-5	2	
9615	Circlip, retaining Rollers to Pivot Pin (01/245439)	70-6	2	
10757	End Plate, for Socket (01/245648)	70-7	1	
10758	Screw (Socket Head) securing End Plate to Socket (245817)	70-8	4	
10759	Washer, Spring, on Screws (245677)	70-9	4	
9616	Gaiter, at upper end of Column (01/245437)	70-10	1	
10760	Clip, securing Gaiter to Socket (245625)	70-11	1	
10761	Clip, securing Gaiter to Column (245626)	70-12	1	
UFB.131/12R	Bolt, securing Steering Column Top Joint to Upper Steering Column		1	
UFB.131/14R	Bolt, securing End Yoke to Steering Box		1	
C.8737/2	Nut, Self-Locking, on Bolts		2	
C.23605/4	LOWER STEERING COLUMN ASSEMBLY (01/501452)		1	REQUIRED ONLY FOR R.H. DRIVE CARS FITTED WITH POWER-ASSISTED STEERING
10061	End Yoke (01/206163)			
	All other items are as for Lower Steering Column C.23605/2			
UFB.131/12R	Bolt, securing Steering Column Top Joint to Upper Steering Column		1	
C.8737/2	Nut, Self-Locking, on Bolt		1	
UFB.131/11R	Bolt, securing End Yoke to Steering Box		1	
C.16518	Nut, Self-Locking, on Bolt		1	
C.23605/3	LOWER STEERING COLUMN ASSEMBLY (01/501449)		1	REQUIRED ONLY FOR L.H. DRIVE CARS FITTED WITH POWER-ASSISTED STEERING
10762	End Yoke (01/206175)		1	
	All other items are as for Lower Steering Column C.23605/2			
UFB.131/12R	Bolt, securing Steering Column Top Joint to Upper Steering Column		1	
UFB.131/14R	Bolt, securing End Yoke to Steering Box		1	
C.8737/2	Nut, Self-Locking, on Bolts		2	
C.26431/4	LOWER STEERING COLUMN ASSEMBLY		1	REQUIRED FOR R.H. DRIVE CARS FITTED WITH C.26018 POWER-ASSISTED STEERING ONLY AT CHASSIS NO.
11976	End Yoke (01/206278) at lower end of column			1B.8682 and subs. 3-4 litre 1B.59539 and subs. 3-8 litre
	All other items are as for Lower Steering Column C.23605/2			

STEERING COLUMN

Part No.	Description	Plate No.	No. per Unit	Remarks
C.26431/3	LOWER STEERING COLUMN ASSEMBLY		1	REQUIRED FOR L.H. DRIVE CARS FITTED WITH C.26019 POWER-ASSISTED STEERING ONLY AT CHASSIS NO. 1B.26241 and subs. 3-4 litre 1B.80293 and subs. 3-8 litre
11975	End Yoke (01/206277) at lower end of column		1	
	All other items are as for Lower Steering Column C.23605/2			
5426	JOURNAL ASSEMBLY, CONNECTING END YOKE TO LOWER STEERING COLUMN (01/500582 OR KO.5-GB.1)		1	
8048	Circlip, retaining Bearing Races (01/245324 or KO.5-7-GB.19)		4	
C.22705	UPPER STEERING COLUMN ASSEMBLY		1	NOT REQUIRED FOR CARS FITTED WITH AUTOMATIC TRANSMISSION Fitted from Chassis No. 1B.1001 to 1B.4533 } 3-4 litre 1B.25001 to 1B.25605 } 1B.50001 to 1B.54954 } 3-8 litre 1B.75001 to 1B.78126 }
C.22706	Outer Tube Assembly	70-13	1	
C.23593	Bearing (Plastic) at top of Outer Tube	70-14	1	
C.23592	Bearing (Plastic) at bottom of Outer Tube	70-15	1	
C.22707	Inner Column	70-16	1	
C.20163	Shaft, inside Inner Column for attachment of Steering Wheel	70-17	1	
C.16676	Stop Button, restricting movement of Shaft	70-18	1	
C.15419	Locknut, clamping Shaft to Inner Column	70-19	1	
8671	Split Collet, retained inside Steering Column Locknut	70-20	1	SUPPLIED COMPLETE WITH CIRCLIP C.18235
C.18235	Circlip (supplied with Split Collet)	70-21	1	
C.22708	UPPER STEERING COLUMN ASSEMBLY		1	REQUIRED ONLY FOR R.H. DRIVE CARS FITTED WITH AUTOMATIC TRANSMISSION Fitted from Chassis No. 1B.1001 to 1B.4533 3-4 litre 1B.50001 to 1B.54954 3-8 litre
C.22718	Outer Tube Assembly		1	
	All other items are as for Upper Steering Column C.22705			
C.22709	UPPER STEERING COLUMN ASSEMBLY		1	REQUIRED ONLY FOR L.H. DRIVE CARS FITTED WITH AUTOMATIC TRANSMISSION Fitted from Chassis No. 1B.25001 to 1B.25605 3-4 litre 1B.75001 to 1B.78126 3-8 litre
C.22719	Outer Tube Assembly		1	
	All other items are as for Upper Steering Column C.22708			
C.26036	UPPER STEERING COLUMN ASSEMBLY		1	NOT REQUIRED FOR CARS FITTED WITH AUTOMATIC TRANSMISSION Fitted from Chassis No. 1B.4534 to 1B.6091 } 3-4 litre 1B.25606 to 1B.25787 } 1B.54955 to 1B.56877 } 3-8 litre 1B.78127 to 1B.78908 }
C.26033	Outer Tube Assembly		1	
	All other items are as for Upper Steering Column C.22705			

STEERING COLUMN

Part No.	Description	Plate No.	No. per Unit	Remarks
C.26037	UPPER STEERING COLUMN ASSEMBLY		1	REQUIRED ONLY FOR R.H. DRIVE CARS FITTED WITH AUTOMATIC TRANSMISSION
C.26034	Outer Tube Assembly		1	Fitted from Chassis No. 1B.4534 to 1B.6091 3-4 litre 1B.54955 to 1B.56877 3-8 litre
	All other items are as for Upper Steering Column C.22705			
C.26038	UPPER STEERING COLUMN ASSEMBLY		1	REQUIRED ONLY FOR L.H. DRIVE CARS FITTED WITH AUTOMATIC TRANSMISSION
C.26035	Outer Tube Assembly		1	Fitted from Chassis No. 1B.25606 to 1B.25787 3-4 litre 1B.78127 to 1B.78908 3-8 litre
	All other items are as for Upper Steering Column C.22705			
C.25476	UPPER STEERING COLUMN ASSEMBLY		1	NOT REQUIRED FOR CARS FITTED WITH AUTOMATIC TRANSMISSION
C.26033	Outer Tube Assembly		1	Fitted to Chassis No. 1B.6092 and subs. } 3-4 litre
C.25045	Inner Column		1	1B.25788 and subs. } 1B.56878 and subs. } 3-8 litre 1B.78909 and subs. }
	All other items are as for Upper Steering Column C.22705			
C.25477	UPPER STEERING COLUMN ASSEMBLY		1	REQUIRED FOR R.H. DRIVE CARS FITTED WITH MODEL 'D.G.' AUTOMATIC TRANSMISSION
C.26034	Outer Tube Assembly		1	Fitted from Chassis No. 1B.6092 to 1B.8444 3-4 litre
C.25045	Inner Column		1	1B.56878 to 1B.59528 3-8 litre
	All other items are as for Upper Steering Column C.22705			
C.25478	UPPER STEERING COLUMN ASSEMBLY		1	REQUIRED FOR L.H. DRIVE CARS FITTED WITH MODEL 'D.G.' AUTOMATIC TRANSMISSION
C.26035	Outer Tube Assembly		1	Fitted from Chassis No. 1B.25788 to 1B.26240 3-4 litre
C.25045	Inner Column		1	1B.78909 to 1B.80287 3-8 litre
	All other items are as for Upper Steering Column C.22705			
C.26267	UPPER STEERING COLUMN ASSEMBLY		1	FOR USE ON R.H. AND L.H. DRIVE CARS EQUIPPED WITH MODEL 35 AUTOMATIC TRANSMISSION AT CHASSIS NO.
C.26268	Outer Tube Assembly		1	1B.8445 and subs. } 3-4 litre
C.23593	Bearing (Plastic) at top of Outer Tube		1	1B.26241 and subs. } 3-4 litre
C.23592	Bearing (Plastic) at bottom of Outer Tube		1	1B.59529 and subs. } 3-8 litre
C.25045	Inner Column Assembly		1	1B.80288 and subs. }
C.20163	Shaft, inside Inner Column for attachment of Steering Wheel		1	
C.16676	Stop Button, restricting movement of Shaft		1	
C.15419	Locknut, clamping Shaft to Inner Column		1	
C.17938	Split Collet, retained inside Steering Column Locknut		1	
C.18235	Circlip (Supplied with Split Collet)		1	

STEERING COLUMN

Part No.	Description	Plate No.	No. per Unit	Remarks
UPPER STEERING COLUMN ASSEMBLY (Cont'd)				
C.23762/1	Thrust Bearing (Nylon) retaining Inner Column in Outer Tube (.312"/.314" thick)	70-22	1	} SELECTIVE SIZES
C.23762/2	Thrust Bearing (Nylon) retaining Inner Column in Outer Tube (.314"/.316" thick)	70-22	1	
C.20126	Retaining Ring , for Thrust Bearing	70-23	1	
C.20127	Spring Clip , securing Retaining Ring	70-24	1	
CLAMP, ON DIRECTION INDICATOR SWITCH SCREWS, ADJUSTING UPPER BEARING				
C.26025			1	
C.26023/1	Spacer , at lower end of Clamp (.188" thick)		1	} SELECTIVE SIZES
C.26023/2	Spacer , at lower end of Clamp (.160" thick)		1	
UFN.119/L	Nut , locking Clamp		1	
SUPPORT BRACKET MOUNTING UPPER STEERING COLUMN TO DASH				
C.26251			1	Fitted to Chassis No. 1B.8445 and subs. } 3-4 litre 1B.26241 and subs. } 1B.59529 and subs. } 3-8 litre 1B.80288 and subs. }
UFS.125/4R	Screw , Set, securing Bracket		4	
C.724	Washer , Shakeproof, on Setscrew		4	
SCREW PLATE ASSEMBLY, MOUNTING UPPER STEERING COLUMN TO DASH				
C.17754		70-25	1	
FW.105/T	Washer , Plain, on Screws		2	
FG.105/X	Washer , Spring, on Screws		2	
UFN.131/L	Nut , securing Upper Column to Screw Plate		2	
C.17753	Spacer , for Upper Column Bracket	70-26	As req'd	
C.16370	Shim , for adjustment of Upper Steering Column at Upper Bracket	70-27	As req'd	
LOCK AND IGNITION SWITCH ASSEMBLY ON STEERING COLUMN				
C.22450		70-28	1	SUPERSEDED BY C.27875
11242	Switch Assembly only		1	
11243	Screw , securing Switch Assembly		1	

STEERING COLUMN

Part No.	Description	Plate No.	No. per Unit	Remarks
C.33190	LOCK AND IGNITION SWITCH ASSEMBLY ON STEERING COLUMN		1	SUPERSEDES C.22450 FITTED TO CARS EXPORTED TO GERMANY OR SWEDEN ALSO SUPPLIED TO SPECIAL ORDER See also Optional Extras
11242	Switch Assembly only		1	
BD.12010	BRACKET ASSEMBLY, LOWER, MOUNTING UPPER STEERING COLUMN TO DASH	70-29	1	NOT REQUIRED FOR L.H. DRIVE AUTOMATIC TRANSMISSION CARS
BD.27497	Gasket, under Mounting Bracket	70-30	1	
BD.18587	BRACKET ASSEMBLY, LOWER, MOUNTING UPPER STEERING COLUMN TO DASH		1	REQUIRED ON L.H. DRIVE CARS EQUIPPED WITH AUTOMATIC TRANSMISSION ONLY
BD.27497	Gasket, under Mounting Bracket		1	
UFN.125/L	Nut, on screw of Mounting Bracket		1	
C.724	Washer, Shakeproof, under Nut		1	
FW.104/T	Washer, Plain, under Shakeproof Washer		1	
UFS.125/4R	Screw, Set, securing Lower Mounting Bracket to Dash		3	
C.724	Washer, Shakeproof, on Setscrews		3	
C.2905/4	Clip, securing Upper Column in Bracket	70-31	1	
C.7878	SPLIT CONE, ON INNER COLUMN SHAFT, SEATING STEERING WHEEL	70-32	2 halves	
C.18758	STEERING WHEEL (17" DIAMETER)	70-33	1	
C.7879	Nut, securing Steering Wheel to Inner Column Shaft	70-34	1	
C.15885	Special Washer, under Nut	70-35	1	
C.11820/7	Palnut, locking Nut	70-36	1	
C.11746	EARTH CONTACT, FOR OPERATION OF HORN (348313)	70-37	1	
UCS.313/3R	Screw, Set, securing Earth Contact to Bracket on Upper Column Outer Tube		1	
UCN.113/L	Nut, on Setscrew		1	
C.721	Washer, Shakeproof, under Nut		1	

STEERING COLUMN

Part No.	Description	Plate No.	No. per Unit	Remarks
C.15665	HORN SLIP RING ASSEMBLY, ON INNER COLUMN (348252/B)		1	
C.10317	Slip Ring only (348276)	70-38	1	} SUPPLIED ONLY IN PAIRS TO PART NO. 8295 (54300638)
C.15666	Cable, complete with Contact (54944464)	70-39	1	
C.10319	Rotor, bottom half (348275)	70-40	1	
C.10320	Rotor, top half (348274)	70-40	1	
C.8761	Contact, for Cable (348266)	70-41	1	
C.8156	Spring, inside top half of Rotor (348267)	70-42	1	
C.15666	CABLE ASSEMBLY, FOR HORN SLIP RING (54944464)	70-39	1	
8974	Conical Spring, at top of Cable (331006)		1	
8975	Plain Washer, at top of Conical Spring (132384)		1	
8976	Insulating Bush, under Conical Spring (54300436)		1	
8977	Circlip, retaining Conical Spring on Cable (154324)		1	
C.8157	CONTACT ASSEMBLY, FOR HORN SLIP RING (348262/A)		1	
C.8158	Contact Holder (348269)	70-43	2	
C.8159	Contact (348268)	70-44	1	
C.8161	Bolt, securing Contact to Holder (136444)	70-45	1	
C.8160	Nut, on Bolt (348270)	70-46	1	
C.10650	Rubber Sleeve, insulating Contact from Steering Column Outer Tube (348272)	70-47	1	
C.13024	Insulating Strip (Fibre) protecting Contact from above (348486)	70-48	1	
C.12194	Dowler Eyelet, for Horn Contact (188818)	70-49	1	
C.25257	DIRECTION INDICATOR/HEADLAMP FLASHER SWITCH (34803/A)	70-50	1	Fitted from Chassis No. 1B.1001 to 1B.6091 } 3-4 litre 1B.25001 to 1B.25787 } 1B.50001 to 1B.56877 } 3-8 litre 1B.75001 to 1B.78908 } See also Electrical Equipment
C.25555	DIRECTION INDICATOR/HEADLAMP FLASHER SWITCH (35532/B-131.SA)			Fitted to Chassis No. 1B.6092 and subs. } 3-4 litre 1B.25788 and subs. } 1B.56878 and subs. } 3-8 litre 1B.78909 and subs. } See also Electrical Equipment
C.25668	Insulating Strip, for Direction Indicator Switch	70-51	1	} Fitted to Chassis No. 1B.3366 and subs. } 3-4 litre 1B.25490 and subs. } 1B.53667 and subs. } 3-8 litre 1B.77497 and subs. } See also Electrical Equipment
BD.22668	Stud (Nylon) securing Insulating Strip to Upper Steering Column	70-52	2	

STEERING COLUMN

Part No.	Description	Plate No.	No. per Unit	Remarks
C.26025	CLAMP, ON DIRECTION INDICATOR SWITCH FIXING SCREWS, ADJUSTING UPPER COLUMN TOP BEARING	70-53	1	Fitted to Chassis No. 1B.4534 and subs. } 3-4 litre 1B.25606 and subs. } 1B.54955 and subs. } 3-8 litre 1B.78127 and subs. } SPACERS C.26023/1 AND C.26023/2 ARE SELECTIVE SIZES FOR CLAMP ADJUSTMENT
C.26023/1	Spacer, at upper end of Clamp (.188" thick)	70-54	1	
C.26023/2	Spacer, at upper end of Clamp (.160" thick)	70-54	1	
UFN.119/L	Nut, locking Clamp at lower end	70-55	1	
C.22457	STRIKER DRIVE CLIP, RETURNING DIRECTION INDICATOR CONTROL TO NEUTRAL POSITION	70-56	1	Fitted from Chassis No. 1B.1001 to 1B.6091 } 3-4 litre 1B.25001 to 1B.25787 } 1B.50001 to 1B.56877 } 3-8 litre 1B.75001 to 1B.78908 }
C.25538	STRIKER DRIVE CLIP, RETURNING DIRECTION INDICATOR CONTROL TO NEUTRAL POSITION		1	Fitted to Chassis No. 1B.6092 and subs. } 3-4 litre 1B.25788 and subs. } 1B.56878 and subs. } 3-8 litre 1B.78909 and subs. }
C.14007/1	Screw, Set, securing Striker Drive Clip		2	
C.723/A	Washer, Shakeproof, on Setscrews		2	
C.23008	Special Washer, under Shakeproof Washers		2	
C.16792	UPPER SWITCH COVER ASSEMBLY AT CENTRE OF STEERING WHEEL (WITH JAGUAR MOTIF)	70-57	1	FOR STANDARD TRANSMISSION CARS
C.20794	LOWER SWITCH COVER AT CENTRE OF STEERING WHEEL	70-58	1	
C.16791	UPPER SWITCH COVER ASSEMBLY AT CENTRE OF STEERING WHEEL (WITH INDICATOR PLATE INSCRIBED 'OVERDRIVE')	70-57	1	FOR OVERDRIVE TRANSMISSION CARS
C.20793	LOWER SWITCH COVER AT CENTRE OF STEERING WHEEL	70-58	1	

STEERING COLUMN

Part No.	Description	Plate No.	No. per Unit	Remarks
C.16790	UPPER SWITCH COVER ASSEMBLY AT CENTRE OF STEERING WHEEL (WITH INDICATOR PLATE INSCRIBED 'P.N.D.L.R.')	70-57	1	FOR AUTOMATIC TRANSMISSION CARS
C.20792	LOWER SWITCH COVER AT CENTRE OF STEERING WHEEL	70-58	1	
C.16460	Screw, Set, clamping Upper and Lower Covers		2	
C.15830	Washer, Plain, on Setscrews		2	
BD.13713/2	Screw, Set, securing Lower Switch Cover to Upper Steering Column		3	
C.15830	Washer, Plain, on Setscrews		3	

FRONT BRAKES

FITTED FROM CHASSIS NO. 1B.1001 TO 1B.9190 } 3-4 LITRE
 1B.25001 TO 1B.26306 }
 1B.50001 TO 1B.59652 } 3-8 LITRE
 1B.75001 TO 1B.80375 }

Part No.	Description	Plate No.	No. per Unit	Remarks
C.25709	R.H. FRONT CALIPER ASSEMBLY		1	C.25709 IS NOT SERVICED. USE 11846 CALIPER ASSEMBLY LESS FRICTION PADS. COMPONENTS OF C.25709 ARE AVAILABLE
10094	Caliper and Piston Assembly (VBO.9550)	55-1	1	
10095	Piston and Cylinder Assembly (VBO.9552/A)	55-2	1	
10096	Bolt, securing Cylinder to Caliper (VBO.8448)	55-3	4	
C.724	Washer, Shakeproof, on Bolts (VBO.6101/L)	55-4	4	
10097	Pad Support, R.H. (VBO.9221)	55-5	2	
10098	Pad Support, L.H. (VBO.9222)	55-6	2	
10099	Bolt, securing Pad Supports at bottom of Calipers (VBO.9057)	55-7	2	
10100	Nut, on Bolts (VBO.9068)	55-8	2	
10101	Washer, Shakeproof, under Nuts (VBO.6101/H)	55-9	2	
10102	Screw, securing Pad Supports at top of Calipers (VBO.9058)	55-10	2	
C.723	Washer, Shakeproof, on Screws (VBO.6101/E)	55-11	2	
10103	Friction Pad Kit (VBO.9747/N)	55-12	1	SET OF FOUR
10104	Stop Plate Assembly, for Friction Pads (VBO.9970)	55-13	1	
10105	Pin, retaining Friction Pads and Stop (VBO.9727)	55-14	1	
10106	Clip, retaining Pin (VBO.9562)	55-15	1	
11375	Bleed Screw (VBO.9223)	55-16	1	
10108	Bridge Pipe Assembly (VBO.9946)	55-17	1	
C.11231	Bracket, fixing Hydraulic Pipe (VB.20531)	55-18	1	
C.25710	L.H. FRONT CALIPER ASSEMBLY		1	C.25710 IS NOT SERVICED. USE 11845 CALIPER ASSEMBLY LESS FRICTION PADS. COMPONENTS OF C.25710 ARE AVAILABLE
10109	Piston and Cylinder Assembly (VBO.9552/B)		1	
10110	Bridge Pipe Assembly (VBO.9947)		1	
	All other items as R.H. Front Caliper C.25709			
10094	CALIPER AND PISTON ASSEMBLY (VBO.9550)	55-1	2	
10111	Piston only (VBO.9300)	55-19	2	
10112	Seal Kit (comprising Piston Seal and Dust Seal) (VB.20157)	55-20	2	
10095	PISTON AND CYLINDER ASSEMBLY FOR R.H. FRONT CALIPER (VBO.9552/A)	55-2	1	
10111	Piston only (VBO.9300)	55-19	1	
10112	Seal Kit, comprising Piston Seal and Dust Seal (VB.20157)	55-20	1	
10109	PISTON AND CYLINDER ASSEMBLY FOR L.H. FRONT CALIPER (VBO.9552/B)		1	
10111	Piston only (VBO.9300)		1	
10112	Seal Kit (comprising Piston Seal and Dust Seal) (VB.20157)		1	
C.7569	Shim (.004" thick) for adjustment of Front Calipers (8LO.2405)	55-21	As req'd	} CHOOSE SHIMS OF DESIRED THICKNESS
C.11723	Shim (.010" thick) for adjustment of Front Calipers (8LO.2411)	55-21	As req'd	
C.11723/1	Shim (.030" thick) for adjustment of Front Calipers (8LO.2411)	55-21	As req'd	
C.22770	Bolt, securing Front Calipers to Stub Axle Carriers (7SO.2705)		2	
				Fitted from Chassis No. 1B.1001 to 1B.1837 } 3-4 litre 1B.25001 to 1B.25229 } 1B.50001 to 1B.51606 } 3-8 litre 1B.75001 to 1B.75988 }

FRONT BRAKES

FITTED FROM CHASSIS NO. 1B.1001 TO 1B.9190 } 3-4 LITRE 1B.50001 TO 1B.59652 } 3-8 LITRE
 1B.25001 TO 1B.26306 } 1B.75001 TO 1B.80375 }

Part No.	Description	Plate No.	No. per Unit	Remarks
PISTON AND CYLINDER ASSEMBLY FOR L.H. FRONT CALIPER (VBO.9552/B) (Cont'd)				
C.23728	Bolt, securing Front Calipers, Brake Hose Brackets and Disc Shields to Stub Axle Carriers (7SO.2708)		2	Fitted to Chassis No. 1B.1838 and subs. } 3-4 litre 1B.25230 and subs. } 1B.51607 and subs. } 3-8 litre 1B.75989 and subs. }
C.22767	Bolt, securing Front Calipers and Steering Arms to Stub Axle Carriers (7SO.2704)		2	
FG.108/X	Washer, Spring, on Setscrews		4	
C.837	Wire, locking Setscrews		As req'd	
C.23484	DISC FOR FRONT CALIPERS (8LO.5313)	55-22	2	
C.13546	Bolt, securing Discs to Front Hubs (7SO.2637)		10	
C.24119/4	Nut, Self-Locking, on Bolts (8SO.1543)		10	
C.23724	SHIELD ASSEMBLY, UPPER, FOR R.H. FRONT BRAKE DISC	55-23	1	Fitted from Chassis No. 1B.1838 to 1B.2410 } 3-4 litre 1B.25230 to 1B.25317 } 1B.51607 to 1B.52384 } 3-8 litre 1B.75989 to 1B.76571 }
C.23725	SHIELD ASSEMBLY, UPPER, FOR L.H. FRONT BRAKE DISC		1	
C.24903	SHIELD ASSEMBLY, UPPER, FOR R.H. FRONT BRAKE DISC		1	Fitted to Chassis No. 1B.2411 and subs. } 3-4 litre 1B.25318 and subs. } 1B.52385 and subs. } 3-8 litre 1B.76572 and subs. }
C.24904	SHIELD ASSEMBLY, UPPER, FOR L.H. FRONT BRAKE DISC		1	
UFS.150/6R	Screw, Set, securing Upper Disc Shields to Stub Axle Carriers		4	Fitted to Chassis No. 1B.1838 and subs. } 3-4 litre 1B.25230 and subs. } 1B.51607 and subs. } 3-8 litre 1B.75989 and subs. }
FG.108/X	Washer, Spring, on Setscrews		4	
C.23729	SHIELD ASSEMBLY, LOWER, FOR R.H. FRONT BRAKE DISC	55-24	1	Fitted to Chassis No. 1B.1838 and subs. } 1B.25230 and subs. } 1B.51607 and subs. } 1B.75989 and subs. }
C.23730	SHIELD ASSEMBLY, LOWER, FOR L.H. FRONT BRAKE DISC		1	
C.23723	Clip, retaining Lower Disc Shields to Stub Axle Carriers	55-25	2	
C.8737/1	Nut, Self-Locking, securing Clips to Lower Shields and Lower Shields to Upper Shields		4	

FRONT BRAKES

FITTED TO CHASSIS NO. 1B.9191 AND SUBS. R.H.D., 1B.26307 AND SUBS. L.H.D. 3-4 LITRE
1B.59653 AND SUBS. R.H.D., 1B.80376 AND SUBS. L.H.D. 3-8 LITRE

Part No.	Description	Plate No.	No. per Unit	Remarks
11911	R.H. FRONT CALIPER ASSEMBLY, LESS FRICTION PADS (64032479LP)		1	
11365	Outer Piston (64325809)		2	
11366	Inner Piston (64325438)		1	
11368	Pin, retaining Friction Pads (64325022)		2	
10106	Clip, retaining Pins (64325009)		2	
11370	Bleed Screw (64470445)		1	
1675	Dust Cap, on Bleed Screw (363400)		1	
11910	L.H. FRONT CALIPER ASSEMBLY, LESS FRICTION PADS (64032478LP)		1	
	Individual items are as for Caliper Assembly 11911			
C.27176	Bolt, Special (long) securing Caliper and Steering Arm to Vertical Link		2	
C.26932	Bolt, Special (short) securing Caliper to Vertical Link		2	
FW.107/T	Washer, Plain, on short Bolts		2	
FG.107/X	Washer, Spring, on Bolts		4	
C.837	Wire, locking Caliper Bolts		As req'd	
C.27177/1	Shim (.004" thick) between Calipers and Steering Arm		As req'd	} SELECTIVE SIZES
C.27177/2	Shim (.010" thick) between Calipers and Steering Arm		As req'd	
C.27177/3	Shim (.030" thick) between Calipers and Steering Arm		As req'd	
11776	FRICTION PAD KIT (SET OF 4 PADS) (64325750DX)		1	
11371	SEALS KIT, FOR FRONT CALIPERS (SP.2511)		1	
C.27024	DISC, FOR FRONT CALIPERS		2	
C.13546	Bolt, securing Discs to Front Hubs (7SO.2637)		10	
C.24119/4	Nut, Self-Locking, on Bolts (8SO.1543)		10	
C.26933	DUST SHIELD AND BRAKE HOSE MOUNTING BRACKET ASSEMBLY, R.H. UPPER, FOR BRAKE DISC		1	
C.26937	DUST SHIELD, R.H. LOWER, FOR BRAKE DISC		1	

FRONT BRAKES

FITTED TO CHASSIS NO. 1B.9191 AND SUBS. R.H.D., 1B.26307 AND SUBS. L.H.D. 3-4 LITRE
1B.59653 AND SUBS. R.H.D., 1B.80376 AND SUBS. L.H.D. 3-8 LITRE

Part No.	Description	Plate No.	No. per Unit	Remarks
C.26934	DUST SHIELD AND BRAKE HOSE MOUNTING BRACKET ASSEMBLY, L.H. UPPER, FOR BRAKE DISC		1	
C.26938	DUST SHIELD, L.H. LOWER, FOR BRAKE DISC		1	
UFS.143/6R	Screw, Set, securing Upper Dust Shields to Vertical Links		2	
FG.107/X	Washer, Spring, on Setscrews		2	
C.23723	Clip, on Studs of Lower Dust Shields		4	
C.8737/1	Nut, on Studs		4	

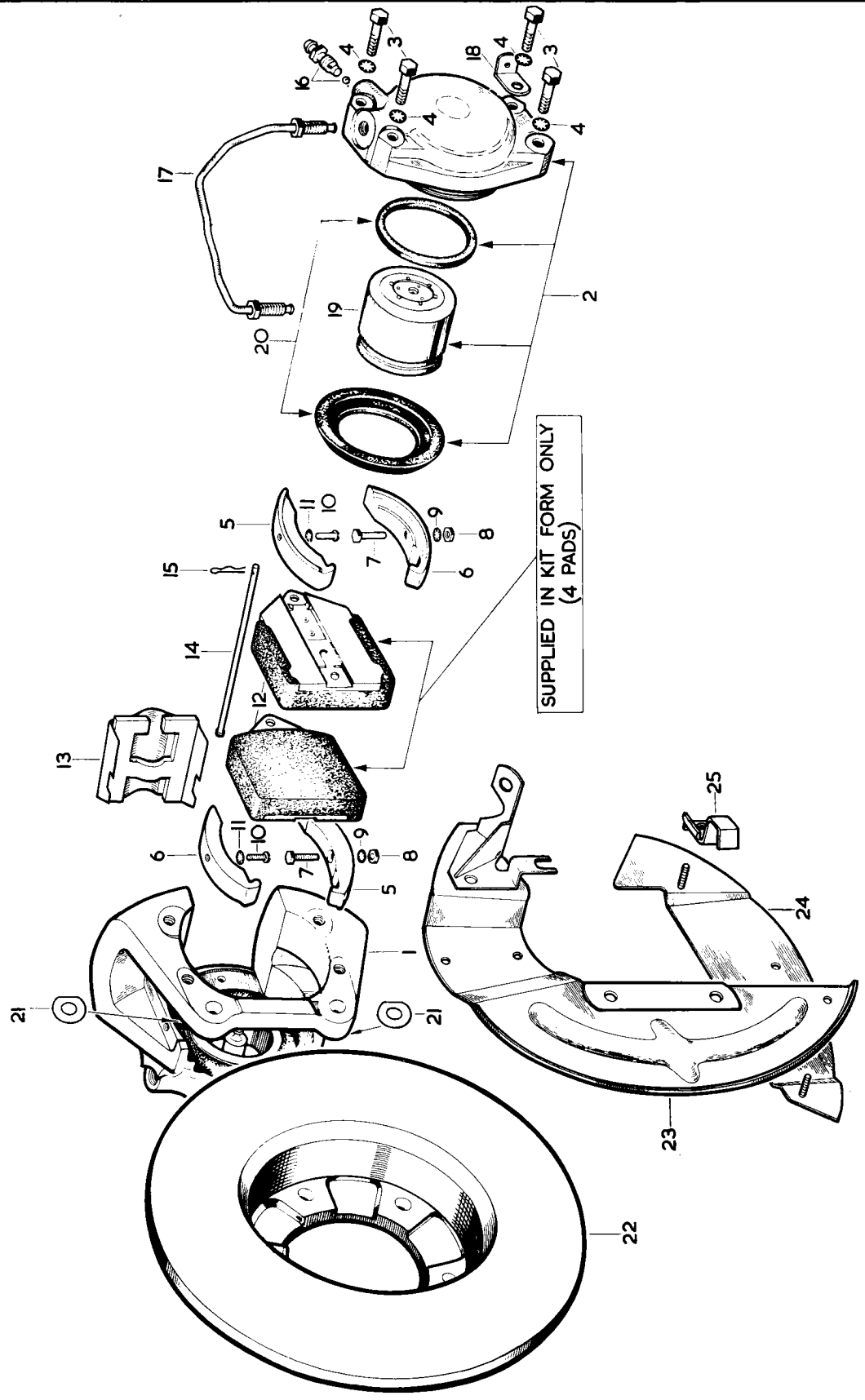


PLATE 55

REAR BRAKES

Part No.	Description	Plate No.	No. per Unit	Remarks						
C.22724	R.H. REAR CALIPER ASSEMBLY (VB.1394/A)		1	C.22724 IS NOT SERVICED. USE 11848 CALIPER ASSEMBLY LESS FRICTION PADS. COMPONENTS OF C.22724 ARE AVAILABLE Fitted from Chassis No. <table style="display: inline-table; vertical-align: middle;"> <tr> <td>1B.1001 to 1B.9490</td> <td rowspan="2">} 3-4 litre</td> </tr> <tr> <td>1B.25001 to 1B.26306</td> </tr> <tr> <td>1B.50001 to 1B.59652</td> <td rowspan="2">} 3-8 litre</td> </tr> <tr> <td>1B.75001 to 1B.80375</td> </tr> </table>	1B.1001 to 1B.9490	} 3-4 litre	1B.25001 to 1B.26306	1B.50001 to 1B.59652	} 3-8 litre	1B.75001 to 1B.80375
1B.1001 to 1B.9490	} 3-4 litre									
1B.25001 to 1B.26306										
1B.50001 to 1B.59652	} 3-8 litre									
1B.75001 to 1B.80375										
10113	Caliper and Piston Assembly (VBO.9728/A)	56-1	1							
10114	Piston and Cylinder Assembly (VBO.9730/A)	56-2	1							
10096	Bolt, securing Cylinder to Caliper (VBO.8448)	56-3	4							
C.724	Washer, Shakeproof, on Bolts (VBO.6101/L)	56-4	4							
10097	Pad Support, R.H. (VBO.9221)	56-5	2							
10098	Pad Support, L.H. (VBO.9222)	56-6	2							
10099	Bolt, securing Pad Supports at bottom of Calipers (VBO.9057)	56-7	2							
10100	Nut, on Bolts (VBO.9068)	56-8	2							
10101	Washer, Shakeproof, under Nuts (VBO.6101/H)	56-9	2							
10102	Screw, securing Pad Supports at top of Calipers (VBO.9058)	56-10	2							
C.723	Washer, Shakeproof, on Screws (VBO.6101/E)	56-11	2							
10103	Friction Pad Kit (VBO.9747/N)	56-12	1							
10116	Stop Plate Assembly, for Friction Pads (VBO.9992)	56-13	1							
10117	Pin, retaining Friction Pads and Stop (VBO.9726)	56-14	1							
10106	Clip, retaining Pin (VBO.9562)	56-15	1							
10107	Bleed Screw (VBO.9223)	56-16	1							
10118	Bridge Pipe Assembly (VBO.9714)	56-17	1							
C.27119	R.H. REAR CALIPER ASSEMBLY (64032667)		1	Fitted to Chassis No. <table style="display: inline-table; vertical-align: middle;"> <tr> <td>1B.9191 and subs.</td> <td rowspan="2">} 3-4 litre</td> </tr> <tr> <td>1B.26307 and subs.</td> </tr> <tr> <td>1B.59653 and subs.</td> <td rowspan="2">} 3-8 litre</td> </tr> <tr> <td>1B.80376 and subs.</td> </tr> </table> NOT SUPPLIED SEPARATELY. USE SEALS KIT 11376 (SP.2505) SET OF 4 PADS	1B.9191 and subs.	} 3-4 litre	1B.26307 and subs.	1B.59653 and subs.	} 3-8 litre	1B.80376 and subs.
1B.9191 and subs.	} 3-4 litre									
1B.26307 and subs.										
1B.59653 and subs.	} 3-8 litre									
1B.80376 and subs.										
11372	Piston (64325436)		2							
N.S.S.	Seal, for Pistons (64326112)		2							
N.S.S.	Dust Seal, for Pistons (64325069)		2							
11373	Friction Pad Kit (64325738/DX)		1							
11368	Pin, retaining Friction Pads (64325022)		2							
11369	Clip, retaining Pins (64325009)		2							
11374	Bridge Pipe Assembly (64476853)		1							
11375	Bleed Screw (64470444)		1							
1675	Dust Cap, on Bleed Screw (363400)		1							
C.22725	L.H. REAR CALIPER ASSEMBLY (VB.1394/B)		1	C.22725 IS NOT SERVICED. USE 11847 CALIPER ASSEMBLY LESS FRICTION PADS. COMPONENTS OF C.22725 ARE AVAILABLE Fitted from Chassis No. <table style="display: inline-table; vertical-align: middle;"> <tr> <td>1B.1001 to 1B.9190</td> <td rowspan="2">} 3-4 litre</td> </tr> <tr> <td>1B.25001 to 1B.26306</td> </tr> <tr> <td>1B.50001 to 1B.59652</td> <td rowspan="2">} 3-8 litre</td> </tr> <tr> <td>1B.75001 to 1B.80375</td> </tr> </table>	1B.1001 to 1B.9190	} 3-4 litre	1B.25001 to 1B.26306	1B.50001 to 1B.59652	} 3-8 litre	1B.75001 to 1B.80375
1B.1001 to 1B.9190	} 3-4 litre									
1B.25001 to 1B.26306										
1B.50001 to 1B.59652	} 3-8 litre									
1B.75001 to 1B.80375										
10119	Caliper and Piston Assembly (VBO.9728/B)		1							
10120	Piston and Cylinder Assembly (VBO.9730/B)		1							
10121	Bridge Pipe Assembly (VBO.9715)		1							
	All other items as R.H. Rear Caliper C.22724									
C.27118	L.H. REAR CALIPER ASSEMBLY (64032666)		1	Fitted to Chassis No. <table style="display: inline-table; vertical-align: middle;"> <tr> <td>1B.9191 and subs.</td> <td rowspan="2">} 3-4 litre</td> </tr> <tr> <td>1B.26307 and subs.</td> </tr> <tr> <td>1B.59653 and subs.</td> <td rowspan="2">} 3-8 litre</td> </tr> <tr> <td>1B.80376 and subs.</td> </tr> </table>	1B.9191 and subs.	} 3-4 litre	1B.26307 and subs.	1B.59653 and subs.	} 3-8 litre	1B.80376 and subs.
1B.9191 and subs.	} 3-4 litre									
1B.26307 and subs.										
1B.59653 and subs.	} 3-8 litre									
1B.80376 and subs.										
	Individual items as for R.H. Rear Caliper Assembly C.27119									

REAR BRAKES

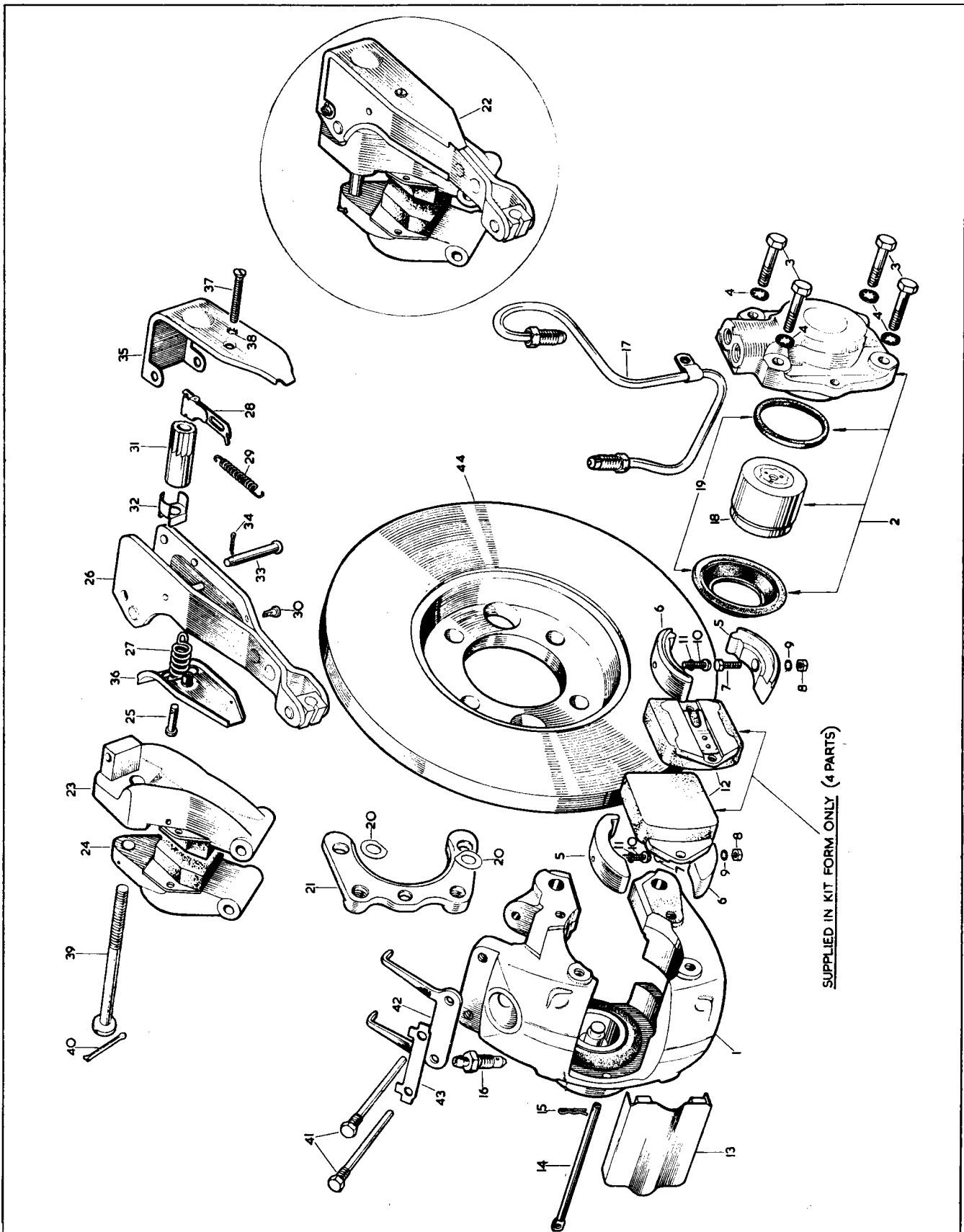
Part No.	Description	Plate No.	No. per Unit	Remarks
11376	SEALS KIT FOR REAR CALIPERS (SP.2505) Comprising:— Seal, for Pistons 4 off Dust Seal, for Pistons 4 off Dust Cap, for Bleed Screws 2 off		1	Fitted to Chassis No. 1B.9191 and subs. } 3-4 litre 1B.26307 and subs. } 1B.59653 and subs. } 3-8 litre 1B.80376 and subs. }
C.1919/2	Distance Piece, at fixings of Rear Calipers to Adaptor Plates		4	
C.13198	Shim (.005" thick) between Distance Pieces and Adaptor Plates, for adjustment of Rear Calipers		As req'd	} SELECTIVE SIZES
C.13199	Shim (.020" thick) between Distance Pieces and Adaptor Plates, for adjustment of Rear Calipers		As req'd	
C.26981	Bolt, securing Rear Calipers to Adaptor Plates		4	
FG.107/X	Washer, Spring, on Bolts		4	
C.21126	Wire, locking Bolts		As req'd	
10113	CALIPER AND PISTON ASSEMBLY R.H. REAR (VBO.9278/A)	56-1	1	
10122	Piston only (VBO.9732)	56-18	1	
10123	Seal Kit (comprising Piston Seal and Dust Seal) (VB.20054)	56-19	1	
10119	CALIPER AND PISTON ASSEMBLY L.H. REAR (VBO.9728/B)		1	Fitted from Chassis No. 1B.1001 to 1B.9190 } 3-4 litre 1B.25001 to 1B.26306 } 1B.50001 to 1B.59652 } 3-8 litre 1B.75001 to 1B.80375 }
10122	Piston only (VBO.9732)		1	
10123	Seal Kit (comprising Piston Seal and Dust Seal) (VB.20054)		1	
10114	PISTON AND CYLINDER ASSEMBLY FOR R.H. REAR CALIPER (VBO.9730/A)	56-2	1	
10122	Piston only (VBO.9732)	56-18	1	
10124	Seal Kit (comprising Piston Seal and Dust Seal) (VBO.9934)	56-19	1	
10120	PISTON AND CYLINDER ASSEMBLY FOR L.H. REAR CALIPER (VBO.9730/B)		1	Fitted from Chassis No. 1B.1001 to 1B.9190 } 3-4 litre 1B.25001 to 1B.26306 } 1B.50001 to 1B.59652 } 3-8 litre 1B.75001 to 1B.80375 }
10122	Piston only (VBO.9732)		1	
10124	Seal Kit (comprising Piston Seal and Dust Seal) (VBO.9934)		1	
C.13198	Shim (.005" thick) for adjustment of Rear Calipers (VBO.1333)	56-20	As req'd	} CHOOSE SHIMS OF DESIRED THICKNESS
C.13199	Shim (.020" thick) for adjustment of Rear Calipers (VBO.1334)	56-20	As req'd	
C.22755	Screw, Set, securing Rear Calipers to Final Drive Unit Housing		4	
FG.107/X	Washer, Spring, on Setscrews		4	
C.21126	Wire, locking Setscrews		As req'd	

REAR BRAKES

Part No.	Description	Plate No.	No. per Unit	Remarks
C.22817	ADAPTOR PLATE FOR R.H. REAR CALIPER	56-21	1	Fitted from Chassis No. 1B.1001 to 1B.9190 } 3-4 litre 1B.25001 to 1B.26306 } 1B.50001 to 1B.59652 } 3-8 litre 1B.75001 to 1B.80375 }
C.22818	ADAPTOR PLATE FOR L.H. REAR CALIPER		1	
C.22859	ADAPTOR PLATE FOR REAR CALIPERS		2	Fitted to Chassis No. 1B.9191 and subs. } 3-4 litre 1B.26307 and subs. } 1B.59653 and subs. } 3-8 litre 1B.80376 and subs. }
C.22726	R.H. HANDBRAKE MECHANISM ASSEMBLY (VBM.4272/A)	56-22	1	R.H. DRIVE CARS ONLY
10125	R.H. Inner Pad Carrier Assembly (VBM.5347/A)	56-23	1	
9328	R.H. Outer Pad Carrier Assembly (VBO.8235/A)	56-24	1	
8938	Anchor Pin, for Return Spring (VBO.8157)	56-25	1	
10126	Operating Lever Assembly (VBO.9948)	56-26	1	
8940	Return Spring (VBO.8190)	56-27	1	
8836	Pawl Assembly (VBO.7995)	56-28	1	
8837	Tension Spring, for Pawl (VBO.7367)	56-29	1	
8838	Anchor Pin, for Tension Spring (VBO.7385)	56-30	1	
8980	Adjusting Nut (VBO.7667)	56-31	1	
8840	Friction Spring, on Adjusting Nut (VBO.7588)	56-32	1	
8841	Hinge Pin, securing Operating Lever (VBO.7289)	56-33	1	
L.102/4U	Split Pin, through Hinge Pin	56-34	1	
9334	Protection Cover Assembly, rear (VBO.8467)	56-35	1	
9335	Protection Cover Assembly, front (VBO.8215)	56-36	1	
9336	Bolt, securing Protection Covers (VBO.6015/G)	56-37	1	
BD.2906/3	Washer, on Bolt (VBO.6100/D)	56-38	1	
9749	Bolt, securing Pad Carriers (VBO.8805)	56-39	1	
L.102.5/8U	Split Pin, retaining Bolt	56-40	1	
C.22727	L.H. HANDBRAKE MECHANISM ASSEMBLY (VBM.4272/B)		1	R.H. DRIVE CARS ONLY
10127	L.H. Inner Pad Carrier Assembly (VBM.5347/B)		1	
9329	L.H. Outer Pad Carrier Assembly (VBO.8235/B)		1	
9330	Operating Lever Assembly (VBO.8379)		1	
All other items as Mechanism C.22726				
C.22764	R.H. HANDBRAKE MECHANISM ASSEMBLY (VBM.4273/A)		1	L.H. DRIVE CARS ONLY
9330	Operating Lever Assembly (VBO.8379)		1	
All other items as Mechanism C.22726				

REAR BRAKES

Part No.	Description	Plate No.	No. per Unit	Remarks
C.22765	L.H. HANDBRAKE MECHANISM ASSEMBLY (VBM.4273/B)		1	L.H. DRIVE CARS ONLY
10127	L.H. Inner Pad Carrier Assembly (VBM.5347/B)		1	
9329	L.H. Outer Pad Carrier Assembly (VBO.8235/B)		1	
	All other items as Mechanism C.22726			
8016	Bolt, securing Handbrake Mechanism (VBO.4190)	56-41	4	
9750	Retraction Plate (VBM.4646/2)	56-42	2	
9751	Tab Washer, locking Bolts (VBO.4225)	56-43	2	
9245	HANDBRAKE MECHANISM REPAIR KIT (VBO.8737/R)		1	
	(Comprising four Friction Pads)			
10418	Bolt, securing Handbrake Friction Pads to Carriers (VBO.8216)		4	
AN.102/L	Nut, on Bolts		4	
C.723/A	Washer, Shakeproof, under Nuts (VBO.6101/F)		4	
C.20326	DISC FOR REAR CALIPER	56-44	2	Fitted from Chassis No. 1B.1001 to 1B.9190 } 3-4 litre 1B.25001 to 1B.26306 } 1B.50001 to 1B.59652 } 3-8 litre 1B.75001 to 1B.80375 }
C.26779	DISC ASSEMBLY FOR REAR CALIPER		2	Fitted to Chassis No. 1B.9191 and subs. } 3-4 litre 1B.26307 and subs. } 1B.59653 and subs. } 3-8 litre 1B.80375 and subs. }



BRAKE VACUUM SERVO

FITTED FROM CHASSIS NO. 1B.1001 TO 1B.2100 AND 1B.25001 TO 1B.25285 3-4 LITRE
1B.50001 TO 1B.52036 AND 1B.75001 TO 1B.76291 3-8 LITRE

EXCEPT CHASSIS NO. 1B.1975, 1B.25260 AND 1B.76209

ALSO FITTED TO CHASSIS NO. 1B.52071, 1B.52074, 1B.52080 AND 1B.52081
1B.76309, 1B.76310 AND 1B.76371

Part No.	Description	Plate No.	No. per Unit	Remarks
C.19612	BRAKE VACUUM SERVO ASSEMBLY (4257-552)		1	
AS.302/4H	Screw, securing Cover to Valve Housing (K.14303/RP)	57-1	8	
9205	Cover and Valve Assembly (106176)	57-2	1	
7163	Return Spring, for Diaphragm (89832)	57-3	1	
9206	Gasket, between Cover and Diaphragm (93737)	57-4	1	
9207	Diaphragm (93949)	57-5	1	
7160	Gasket, between Diaphragm and Valve Housing (88718)	57-6	1	
7167	Balance Spring, under Diaphragm (88734)	57-7	1	
UFS.125/4H	Screw, Set, securing Valve Housing to Slave Cylinder Body (K.23502/RP)	57-8	4	
C.739	Washer, Shakeproof, on Bolts	57-9	4	
7169	Valve Housing (88805)	57-10	1	
C.721	Washer, Shakeproof, under Nuts	57-11	8	
AN.102/L	Nut, on Screws, securing Valve Cover (K.18604)	57-12	8	
7168	Gasket, between Valve Housing and Slave Cylinder Body (88801)	57-13	1	
7161	Valve Piston (88719)	57-14	1	
8814	Seal, for Valve Piston (3862-423)	57-15	1	
6383	Gasket, between Slave Cylinder Body and Main Cylinder (32737)	57-16	1	
UFS.125/4R	Screw, Set (Short) securing Cover to Main Cylinder (K.23502/RP)	57-17	3	
UFS.125/9R	Screw, Set (Long) securing Cover to Main Cylinder and for mounting Servo Unit (K.23508/RP)	57-18	3	
7754	Tab Washer, locking Long Bolts (9936)	57-18A	3	
UFN.125/L	Nut, on Bolts	57-19	6	
C.724	Washer, Shakeproof, under Nuts	57-20	6	
7159	Hose, connecting Main Cylinder to Valve Cover (88199)	57-21	1	
7170	Return Spring, for Main Cylinder Piston (88806)	57-22	1	
7145	Push Rod, operating Main Cylinder Piston (86753)	57-23	1	
7691	Adjuster Nut, on Push Rod (88023)	57-24	1	
7273	Locating Washer, for Adjuster Nut (88022)	57-25	1	
7692	Outer Piston Plate, in Main Cylinder (88731)	57-26	1	
7142	'O' Ring, between Piston Plates, on Adjuster Nut (25844)	57-27	1	
8385	Rubber Cup, for Main Cylinder Piston (107419)	57-28	1	
7693	Inner Piston Plate, in Main Cylinder (88732)	57-29	1	
7143	Piston Ring, in Main Cylinder (82138)	57-30	1	
7141	Wick, around Piston Ring (25835/20-5)	57-31	1	
7694	End Stop, for Main Cylinder Piston (88733)	57-32	1	
FW.108/T	Plain Washer, under Shakeproof Washers (K.20809)	57-33	1	
C.743	Washer, Shakeproof, under Nut	57-34	1	
UFN.150/L	Nut, securing Main Piston Assembly	57-35	1	
2538	Copper Gasket, under Nut (KL.44509)	57-36	1	
UFN.125/L	Nut, on Push Rod (K.24101)	57-37	1	
7140	Cover and Pipe, for Main Cylinder (88798)	57-38	1	
8414	Gasket, between Cover and Main Cylinder (106213)	57-39	1	
UFS.131/6R	Screw, Set, securing Abutment Plate inside Main Cylinder (K.23603)	57-40	4	
6386	Plate, locking Bolts (82454)	57-41	2	
6385	Abutment Plate, inside Main Cylinder (32739)	57-42	1	
7137	Main Vacuum Cylinder (88807)	57-43	1	
6382	Spigot, for Slave Cylinder Piston (32736)	57-44	1	
7164	Spring (Short) between Seal and rear of Distance Piece (9295)	57-45	1	
6402	Seal, between Spring and Spigot (85946)	57-46	1	
7896	Spreader, for Seal (90860)	57-47	1	
6444	Circlip, locating Short Spring (86158)	57-48	1	
7171	Washer, behind Distance Piece (96462)	57-49	1	
7165	Distance Piece, between Piston and Washer (97266)	57-50	1	
6380	Piston, for Slave Cylinder (82601)	57-51	1	
6379	Seal, between Piston and Spring Guide (92328)	57-52	1	
9209	Guide, for Main Spring in Slave Cylinder (109579)	57-53	1	
7156	Main Spring, in Slave Cylinder (91861)	57-54	1	
9210	Spring Support, at end of Slave Cylinder (109580)	57-55	1	
C.11356	Copper Gasket, sealing Adaptor in end of Slave Cylinder (KL.44526)	57-56	1	
7166	Adaptor, in end of Slave Cylinder (88728)	57-57	1	
7155	Slave Cylinder Body (88764)	57-58	1	

MAY BE OBTAINED AS A COMPLETE ASSEMBLY TO PART No.7146 (88799)

BRAKE VACUUM SERVO

FITTED FROM CHASSIS NO. 1B.1001 TO 1B.2100 AND 1B.25001 TO 1B.25285 3-4 LITRE
1B.50001 TO 1B.52036 AND 1B.75001 TO 1B.76291 3-8 LITRE

EXCEPT CHASSIS NO. 1B.1975, 1B.25260 AND 1B.76209

ALSO FITTED TO CHASSIS NO. 1B.52071, 1B.52074, 1B.52080 AND 1B.52081
1B.76309, 1B.76310 AND 1B.76371

Part No.	Description	Plate No.	No. per Unit	Remarks
8055	REPAIR KIT FOR BRAKE VACUUM SERVO (KL.72548)		1	
8415	REPAIR KIT FOR MAIN CYLINDER PISTON (KL.72565)		1	
9211	REPAIR KIT FOR AIR CONTROL VALVE (KL.72551)			

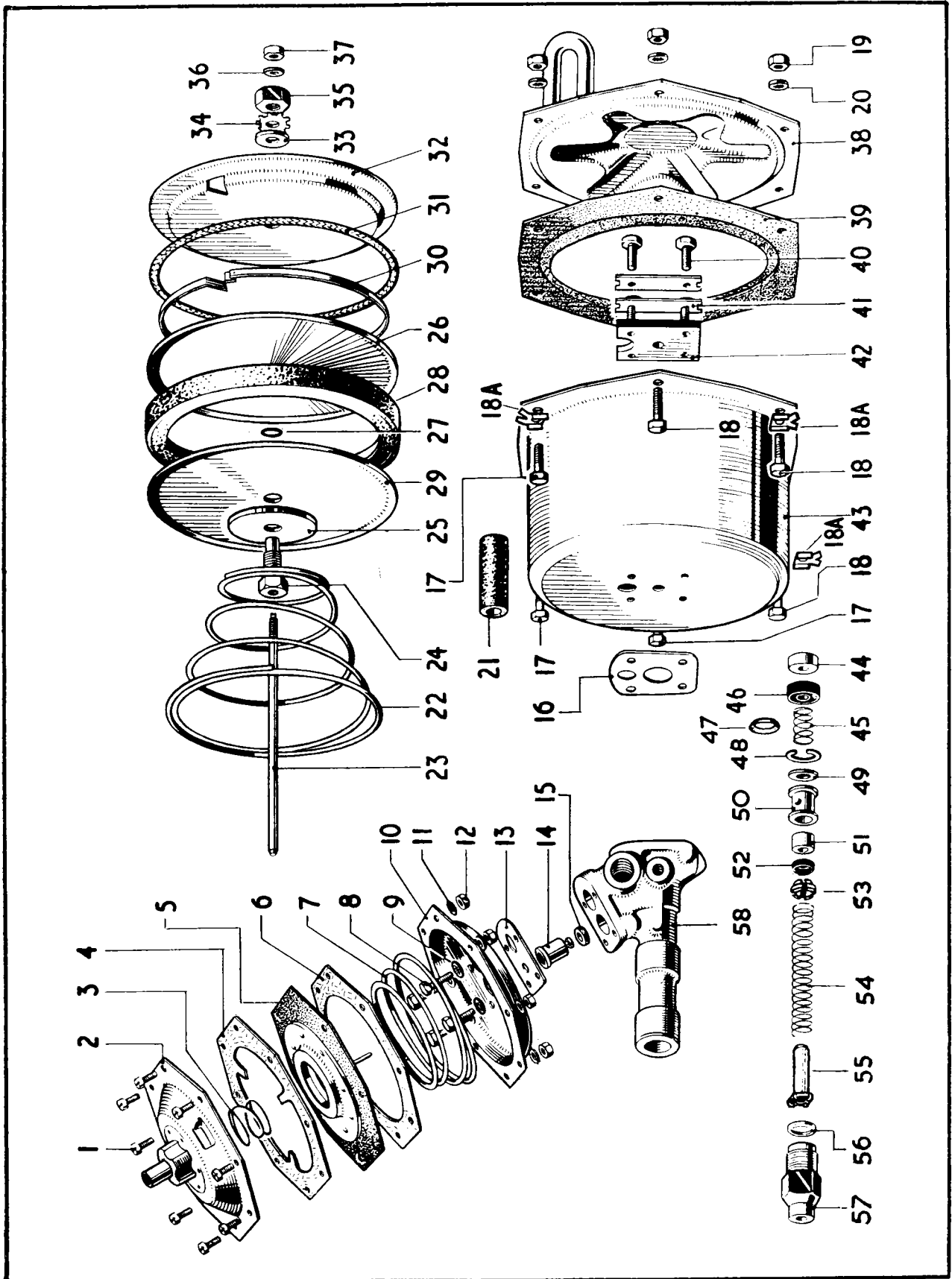


PLATE 57

BRAKE VACUUM SERVO

FITTED TO CHASSIS NO. 1B.2101 AND SUBS., 1B.25286 AND SUBS. 3-4 LITRE
1B.52037 AND SUBS., 1B.76292 AND SUBS. 3-8 LITRE

EXCEPT CHASSIS NO. 1B.52071, 1B.52074, 1B.52080, 1B.52081, 1B.76039
1B.76310 AND 1B.76371

ALSO FITTED TO CHASSIS NO. 1B.1975, 1B.25260 AND 1B.76209

Part No.	Description	Plate No.	No. per Unit	Remarks
C.24707	BRAKE VACUUM SERVO ASSEMBLY (4258-422)		1	See also Brake Controls
10793	Cover and Valve Assembly (4316-611)	58-1	1	
10794	Return Spring, for Air Valve (109849)	58-2	1	
10795	Air Filter (3256-218)	58-3	1	
10796	Guide, inside Air Filter (3528-275)	58-4	1	
10797	Washer (Sorbo) at top of Air Filter (3853-225)	58-5	1	
10798	Cap, retaining Filter and Return Spring to Valve Cover (4326-654)	58-6	1	
9206	Gasket, between Cover and Diaphragm (93737)	58-7	1	
9207	Diaphragm, for Air Valve (93949)	58-8	1	
7163	Return Spring, for Diaphragm (89832)	58-9	1	
7167	Balance Spring, under Diaphragm (88734)	58-10	1	
7160	Gasket, between Diaphragm and Valve Housing (88718)	58-11	1	
AS.302/4H	Screw, Set, securing Cover and Diaphragm to Valve Housing (K.14303/RP)	58-12	8	
AN.102/L	Nut, on Setscrews (K.18604/RP)	58-13	8	
C.738	Washer, Shakeproof, under Nuts (K.19404)	58-14	8	
7169	Valve Housing (88805)	58-15	1	
7168	Gasket, between Valve Housing and Slave Cylinder Body (88801)	58-16	1	
UFS.125/4R	Screw, Set, securing Valve Housing to Slave Cylinder Body (K.23502/RP)	58-17	4	
C.724	Washer, Shakeproof, on Setscrews (K.19405)	58-18	4	
7161	Valve Piston (88719)	58-19	1	
8814	Seal, on Valve Piston (3862-423)	58-20	1	
10799	Servo Shell (3677-457)	58-21	1	
6383	Gasket, between Shell and Slave Cylinder Body (32737)	58-22	1	
6385	Abutment Plate, Inside Shell (32739)	58-23	1	
UFS.131/6R	Screw, Set, securing Shell and Abutment Plate to Slave Cylinder Body (K.23602)	58-24	4	
6386	Plate, locking Setscrews (82454)	58-25	2	
10800	Main Diaphragm (3818-415)	58-26	1	
10801	Support Plate, for Main Diaphragm (3288-523)	58-27	1	
7170	Return Spring, for Main Diaphragm (88806)	58-28	1	
10802	End Cover, Pipe, and Stud Assembly (4326-650)	58-29	1	
10803	Hose, connecting End Cover to Valve Cover (84795)	58-30	1	
10804	Push Rod, operating Slave Cylinder Piston (3423-244)	58-31	1	
10805	Key, retaining Push Rod in Diaphragm Support Plate (3625-215)	58-32	1	
6382	Spigot, for Push Rod (32736)	58-33	1	
6402	Seal, on Push Rod, adjacent to Spigot (85946)	58-34	1	
7896	Spreader, for Seal (90860)	58-35	1	
7164	Spring, behind Seal Spreader (92954)	58-36	1	
6444	Circlip, locating Spring (113067)	58-37	1	
10806	Washer, between Circlip and Distance Piece (3525-232)	58-38	1	
10807	Distance Piece, between Piston and Washer (3652-213)	58-39	1	
7155	Slave Cylinder Body (88764)	58-40	1	
6380	Piston, in Slave Cylinder (82601)	58-41	1	
6379	Seal, for Piston (92328)	58-42	1	
7156	Main Spring, in Slave Cylinder (109881)	58-43	1	
9209	Spring Support, adjacent to Piston Seal (109579)	58-44	1	
9210	Spring Support, at end of Slave Cylinder (109580)	58-45	1	
7166	Adaptor, in end of Slave Cylinder (88728)	58-46	1	
C.11356	Washer (Copper) on Adaptor (K.L.44526)	58-47	1	
C.24936	Grommet, in Cowl, for Servo Mounting		2	
C.24937	Spacing Collar, inside Grommets		2	
FW.105/T	Washer, Plain, at each side of Grommets		4	
C.8737/2	Nut, Self-Locking, securing Servo to Cowl		2	

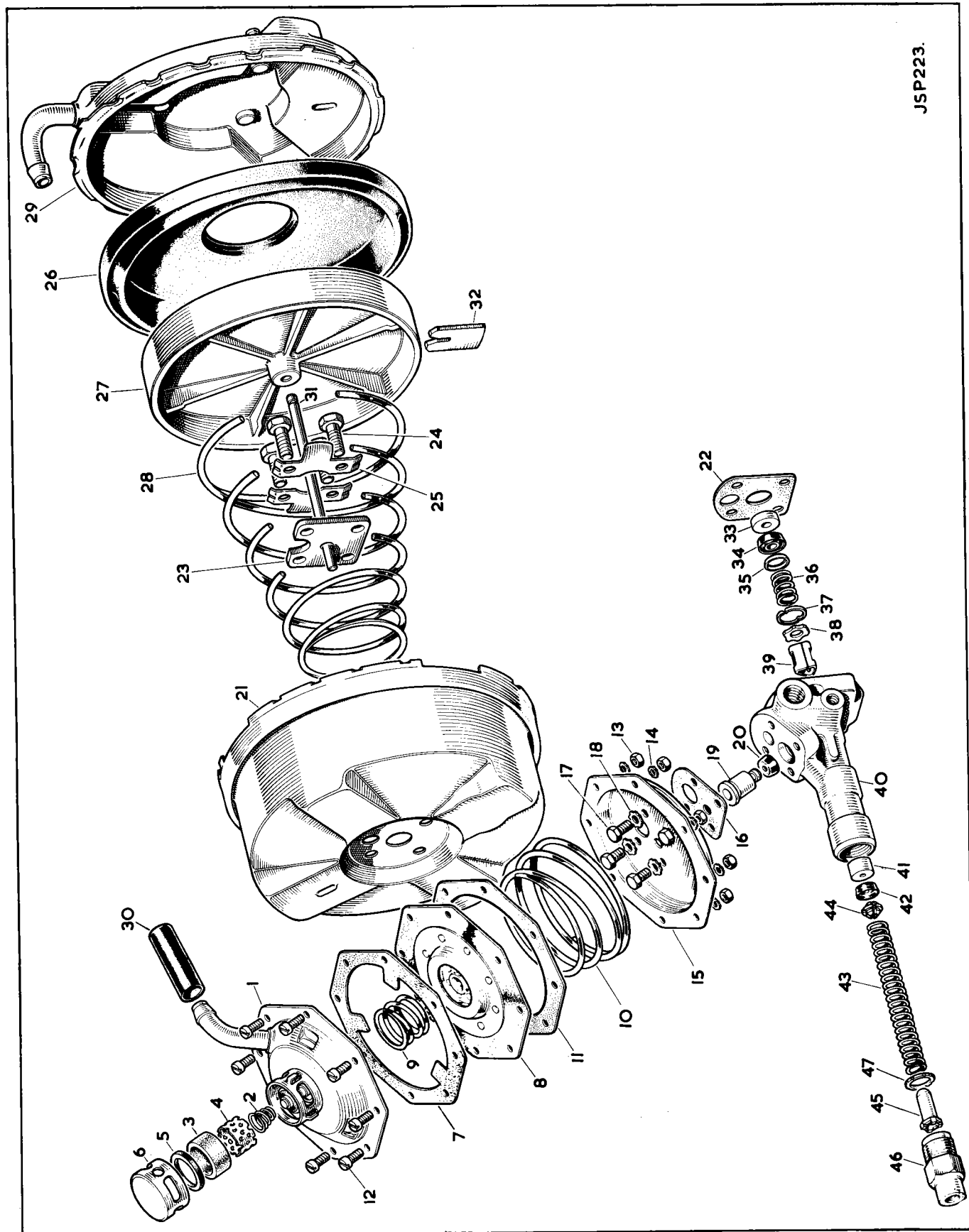
BRAKE VACUUM SERVO

FITTED TO CHASSIS NO. 1B.2101 AND SUBS., 1B.25286 AND SUBS. 3-4 LITRE
1B.52037 AND SUBS., 1B.76292 AND SUBS. 3-8 LITRE

EXCEPT CHASSIS NO. 1B.52071, 1B.52074, 1B.52080, 1B.52081, 1B.76039
1B.76310 AND 1B.76371

ALSO FITTED TO CHASSIS NO. 1B.1975, 1B.25260 AND 1B.76209

Part No.	Description	Plate No.	No. per Unit	Remarks
10808	REPAIR KIT, FOR AIR CONTROL VALVE (SSB.1011)		1	
10809	REPAIR KIT, FOR BRAKE VACUUM SERVO (SSB.1015)		1	



JSP223.

RESERVAC TANK FOR BRAKE SERVO

Part No.	Description	Plate No.	No. per Unit	Remarks
C.24910	RESERVAC TANK FOR BRAKE SERVO	59-1	1	
C.22425	SUPPORT ROD FOR RESERVAC TANK	59-2	1	Fitted from Chassis No. 1B.1001 to 1B.2100 } 3-4 litre 1B.25001 to 1B.25285 } 1B.50001 to 1B.52036 } 3-8 litre 1B.75001 to 1B.76291 }
C.24918	SUPPORT ROD FOR RESERVAC TANK		1	Fitted to Chassis No.
UFS.119/4R	Screw, Set, securing Support Rod to Body		1	1B.2101 and subs. } 3-4 litre
UFN.119/L	Nut, on Setscrew		1	1B.25286 and subs. }
C.723/A	Washer, Shakeproof, under Nut		1	1B.52037 and subs. } 3-8 litre 1B.76292 and subs. }
C.24913	STONEGUARD ASSEMBLY FOR RESERVAC TANK	59-3	1	
UFS.119/4R	Screw, Set, securing Stoneguard to Reservac Tank		3	
UFN.119/L	Nut, on Setscrews		3	
C.723/A	Washer, Shakeproof, under Nuts		3	
UFS.131/6R	Screw, Set, securing Tank and Stoneguard to Chassis Member under R.H. Front Wing		1	
C.8737/2	Nut, Self-Locking, on Setscrew and Stud		2	
FW.105/T	Washer, Plain, under Nuts		2	
C.27306	CHECK VALVE ASSEMBLY ON RESERVAC TANK	59-4	1	
C.14963	HOSE FROM CHECK VALVE TO BRAKE SERVO	59-5	1	
C.15886/5	Clip, securing Hose to Check Valve and Banjo on Brake Servo	59-6	2	
C.14717	Banjo, for connection of Hose to Brake Servo	59-7	1	
C.11356	Copper Washer, at each side of Banjo (KL.44526)	59-8	2	
C.11421	Bolt, securing Banjo (30352)	59-9	1	
C.20113	HOSE FROM CHECK VALVE TO TEE PIECE	59-10	1	
C.15886/5	Clip, securing Hoses to Check Valve and Tee Piece	59-11	3	

RESERVAC TANK FOR BRAKE SERVO

Part No.	Description	Plate No.	No. per Unit	Remarks
C.23211	TEE PIECE AT JUNCTION OF HOSES	59-12	1	
C.26703	HOSE, FROM TEE PIECE TO VACUUM PIPE ASSEMBLY	59-13	1	
C.15886/4	Clip, securing Hose to Vacuum Pipe	59-14	1	
C.22651	VACUUM PIPE ASSEMBLY AT R.H. SIDE OF CYLINDER BLOCK	59-15	1	
C.15731	Rubber Sleeve, on Vacuum Pipe	59-16	1	
C.22653	Bracket, fixing Vacuum Pipe to Inlet Manifold Studs	59-17	1	
C.15729	Clamp, securing Vacuum Pipes to R.H. side of Cylinder Block	59-18	1	
UFS.119/8R	Screw, Set, through Clamps		1	
UFN.119/L	Nut, on Setscrews		1	
C.723/A	Washer, Shakeproof, under Nuts		1	

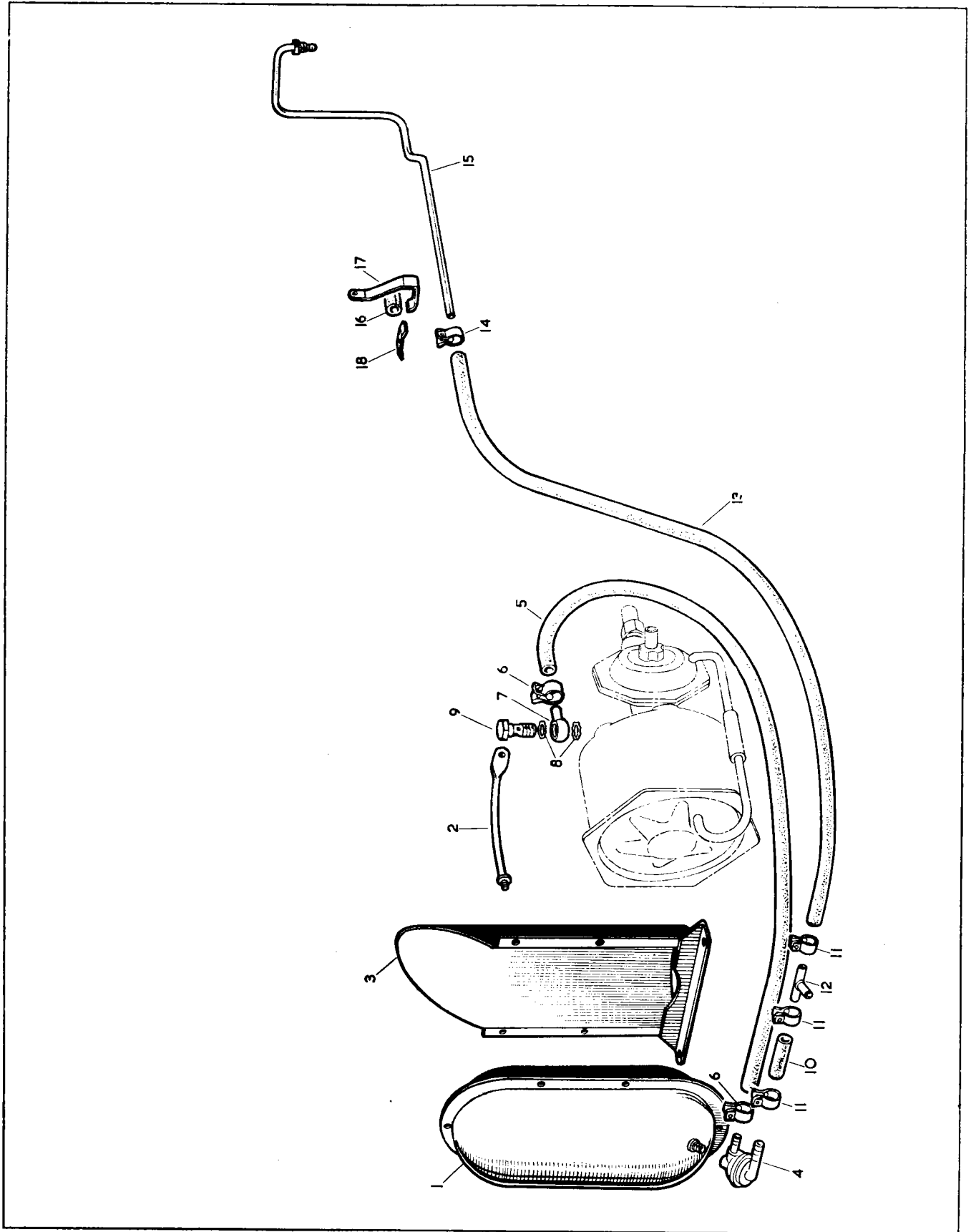


PLATE 59

STANDARD AND OVERDRIVE TRANSMISSION BRAKE CONTROLS

Part No.	Description	Plate No.	No. per Unit	Remarks
C.23638	BRAKE FLUID CONTAINER	60-1	1	
C.23632	Filler Cap, complete with Level Indicator Switch	60-1A	1	
C.23627	Cap, protecting Level Indicator		1	
C.23497	Clip, around Fluid Container	60-1B	1	
UFS.319/8H	Screw, Set, securing Clip to Container		1	
UFN.119/L	Nut, on Setscrew		1	
C.723/A	Washer, Shakeproof, under Nut		1	
C.23116	BRACKET, MOUNTING BRAKE AND CLUTCH FLUID CONTAINERS	60-2	1	} R.H. DRIVE CARS ONLY
UFS.125/5R	Screw, Set, securing Bracket to Valance		2	
UFN.125/L	Nut, on Setscrews		2	
C.724	Washer, Shakeproof, under Nuts		2	
FW.104/T	Washer, Plain, under Shakeproof Washers		2	
C.22754	BRACKET, MOUNTING BRAKE AND CLUTCH FLUID CONTAINERS		1	} L.H. DRIVE CARS ONLY
UFS.125/4R	Screw, Set, securing Bracket to Valance		1	
C.724	Washer, Shakeproof, on Setscrew		1	
C.6854	HOSE FROM FLUID CONTAINER TO HYDRAULIC PIPE	60-3	1	Fitted from Chassis No. 1B.1001 to 1B.8385 } 3-4 litre
C.15886/5	Clip, securing Hose to Container		1	1B.25001 to 1B.26210 } 3-4 litre
C.15886/3	Clip, securing Hose to Hydraulic Pipe		1	1B.50001 to 1B.59333 } 3-8 litre 1B.75001 to 1B.80269 } 3-8 litre
C.20072/11	HOSE FROM FLUID CONTAINER TO HYDRAULIC PIPE		1	Fitted to Chassis No. 1B.8386 and subs. } 3-4 litre
C.15886/5	Clip, securing Hose to Container		1	1B.26211 and subs. } 3-4 litre
C.15886/3	Clip, securing Hose to Hydraulic Pipe		1	1B.59334 and subs. } 3-8 litre 1B.80270 and subs. } 3-8 litre
C.23703	HYDRAULIC PIPE FROM HOSE TO MASTER CYLINDER (VBO.6078/20¹/₈)	60-4	1	FITTED TO R.H. DRIVE CARS ONLY From Chassis No. 1B.1001 to 1B.8385 3-4 litre 1B.50001 to 1B.59333 3-8 litre
C.23105	HYDRAULIC PIPE FROM HOSE TO MASTER CYLINDER (VBO.6078/6¹/₂)		1	FITTED TO L.H. DRIVE CARS ONLY From Chassis No. 1B.25001 to 1B.26210 3-4 litre 1B.75001 to 1B.80269 3-8 litre

STANDARD AND OVERDRIVE TRANSMISSION BRAKE CONTROLS

Part No.	Description	Plate No.	No. per Unit	Remarks
C.26915	HYDRAULIC PIPE FROM HOSE TO MASTER CYLINDER		1	FOR R.H. DRIVE CARS ONLY Fitted to Chassis No. 1B.8386 and subs. 3-4 litre 1B.59334 and subs. 3-8 litre
C.1040/9 DZZ.408/6C	Clip, securing Hydraulic Pipe to R.H. Wing Valance Screw, Self-Tapping, securing Clip		1 1	
C.26916	HYDRAULIC PIPE FROM HOSE TO MASTER CYLINDER		1	FOR L.H. DRIVE CARS ONLY Fitted to Chassis No. 1B.26211 and subs. 3-4 litre 1B.80270 and subs. 3-8 litre
C.16469	BRAKE MASTER CYLINDER ASSEMBLY (VBM.3280)	60-5	1	C.16469 IS NO LONGER AVAILABLE. USE 11977 AS A REPLACEMENT INDIVIDUAL PARTS OF C.16469 ARE STILL OBTAINABLE Fitted from Chassis No. 1B.1001 to 1B.2997 } 3-4 litre 1B.25001 to 1B.25429 } 1B.50001 to 1B.53182 } 3-8 litre 1B.75001 to 1B.77220 }
7474	Body only (VBM.3236)	60-6	1	
N.S.S.	Piston (VBO.4768)	60-7	1	
N.S.S.	'O' Ring, on Piston (VBO.4623)	60-8	1	
N.S.S.	Cup Seal, on Piston (VBO.4625)	60-8A	1	
N.S.S.	Main Spring, behind Piston (VBO.4767)	60-9	1	
6942	Spring Support, at forward end of Cylinder Body (VBO.2042)	60-10	1	
7675	Spring Support, at rear end of Cylinder Body (VBO.4141)	60-11	1	
7676	Valve (VBO.3539)	60-12	1	
6943	Spring, on Valve (VBO.1410)	60-13	1	
8296	Seal, at end of Valve (VBO.4842)	60-14	1	
8297	Push Rod (VBO.4238)	60-15	1	
9660	Circlip, retaining Push Rod in Cylinder Body (VBO.7931)	60-16	1	
6945	Dust Excluder, over end of Cylinder Body (VBO.1869)	60-17	1	
C.25425	BRAKE MASTER CYLINDER ASSEMBLY (VB.80029)		1	Fitted from Chassis No. 1B.2998 to 1B.8385 } 3-4 litre 1B.25430 to 1B.26210 } 1B.53183 to 1B.59333 } 3-8 litre 1B.77221 to 1B.80269 }
11039	Piston (VB.20367)		1	
11040	Main Spring, behind Piston (VB.20368)		1	
9314	Spring Support, at forward end of Cylinder Body (VBO.8885)		1	
11041	Spring Support, at rear end of Cylinder Body (VB.20370)		1	
All other items are as Master Cylinder C.16469				
8250	BRAKE MASTER CYLINDER RECONDITIONING KIT (VBO.4843/A) (SP.9015)		1	REQUIRED FOR SERVICING C.16469 AND C.25425
	Comprising:-			Exchange Scheme does not operate on Brake Master Cylinders
	N.S.S. Piston		1 off	
	N.S.S. 'O' Ring on Piston		1 off	
	N.S.S. Cup Seal on Piston		1 off	
	N.S.S. Main Spring behind Piston		1 off	
	N.S.S. Valve		1 off	
	N.S.S. Spring Support, forward		1 off	
	N.S.S. Spring Support, rear		1 off	
	N.S.S. Spring, on Valve		1 off	
	N.S.S. Seal at end of Valve		1 off	
	N.S.S. Circlip		1 off	
	N.S.S. Dust Excluder		1 off	

STANDARD AND OVERDRIVE TRANSMISSION BRAKE CONTROLS

Part No.	Description	Plate No.	No. per Unit	Remarks
C.27160	BRAKE MASTER CYLINDER ASSEMBLY (64068590)		1	Fitted to Chassis No. 1B.8386 and subs. } 3-4 litre 1B.26211 and subs. } 1B.59334 and subs. } 3-8 litre 1B.80270 and subs. }
N.S.S.	Body only (64675906)		1	
N.S.S.	Seal, on Valve (362802)		1	
7350	Valve (378641)		1	
11600	Spring Retainer (64673391)		1	
7349	Spacer (318001)		1	
N.S.S.	Spring (64673425)		1	
N.S.S.	Seal, for Plunger (64673529)		1	
11605	Plunger (64675744)		1	
11606	Push Rod Assembly (64676262)		1	
N.S.S.	Circlip (378912)		1	
N.S.S.	Dust Cover (64673976)		1	
11607	Retainer, for Dust Cover (378070)		1	
N.S.S.	Spring Washer (378960)		1	
11578	REPAIR KIT FOR SERVICING BRAKE MASTER CYLINDER (SP.2105)		1	REQUIRED FOR SERVICING C.27160
	Comprising:--			
	N.S.S. Seal on Valve	1 off		Exchange Scheme does not operate on Brake Master Cylinders
	N.S.S. Seal, for Plunger	1 off		
	N.S.S. Circlip	1 off		
	N.S.S. Dust Cover	1 off		
	N.S.S. Spring Washer	1 off		
C.24014	HOUSING FOR BRAKE PEDAL AND MASTER CYLINDER	60-18	1	
C.8954	Stud, mounting Housing to Scuttle		7	
UFN.131/L	Nut, on Studs		7	
C.725	Washer, Shakeproof, under Nuts		7	
C.8957	Gasket, between Housing and Scuttle	60-19	1	2 REQUIRED FOR L.H. DRIVE CARS
C.27072	Stud, in Housing mounting Brake Master Cylinder		2	
C.27168	Spacer, on Studs, between Master Cylinder and Housing		1	
UFN.131/L	Nut, on Studs, securing Master Cylinder		2	
C.725	Washer, Shakeproof, under Nuts		2	
C.8958	SHAFT, SUPPORTING BRAKE PEDAL IN HOUSING	60-20	1	
C.8967	Bolt, securing Shaft in Housing		1	
C.8737/1	Nut, Self-Locking, on Bolt		1	
FW.104/T	Washer, Plain, under Nut		1	
C.8971	COVER PLATE, SEALING REDUNDANT PEDAL HOLE IN DASH (171/265)		1	
C.8957	Gasket, under Cover Plate		1	
UFS.125/5R	Screw, Set, securing Cover Plate		4	
UFN.125/L	Nut, on Setscrews		4	
C.724	Washer, Shakeproof, under Nuts		4	
FW.104/T	Washer, Plain, under Shakeproof Washers		4	

STANDARD AND OVERDRIVE TRANSMISSION BRAKE CONTROLS

Part No.	Description	Plate No.	No. per Unit	Remarks
C.13247	BRAKE PEDAL (COMPLETE WITH BUSHES)	60-21	1	R.H. DRIVE CARS ONLY
C.20955/4	Bush, in Brake Pedal Boss		2	
C.13249	BRAKE PEDAL (COMPLETE WITH BUSHES)		1	L.H. DRIVE CARS ONLY
C.20955/4	Bush, in Brake Pedal Boss		2	
C.8962	Washer (Fibre) at each side of Pedal Boss	60-22	2	
J.105/9.5S	Clevis Pin, securing Pedal to Fork End on Master Cylinder		1	
L.103/7U	Split Pin, retaining Clevis Pin		1	
FW.105/T	Washer, Plain, behind Split Pin		1	
C.8963	RETURN SPRING FOR BRAKE PEDAL	60-23	1	
C.23410	STEEL PAD FOR BRAKE PEDAL	60-24	1	R.H. DRIVE CARS ONLY
C.14852	STEEL PAD FOR BRAKE PEDAL		1	L.H. DRIVE CARS ONLY
C.8667/2	Nut, securing Steel Pad to Brake Pedal		2	
C.8969	RUBBER PAD FOR BRAKE PEDAL	60-25	1	
C.19612	BRAKE VACUUM SERVO (4257-552)	60-26	1	Fitted from Chassis No. 1B.1001 to 1B.2100 } 3-4 litre 1B.25001 to 1B.25285 } 1B.50001 to 1B.52036 } 3-8 litre 1B.75001 to 1B.76291 } Except Chassis Nos. 1B.1975; 1B.25260 and 1B.76209 Also fitted to Chassis Nos. 1B.52071; 1B.52074; 1B.52080; 1B.52081; 1B.76309; 1B.76310 and 1B.76371
BD.3210	Grommet, for mounting of Brake Vacuum Servo		3	
C.11908	Spacer, inside Grommets		3	
UFN.125/L	Nut, securing Brake Vacuum Servo to Cowl		3	
C.724	Washer, Shakeproof, under Nut		3	
FW.104/T	Washer, Plain, each side of Cowl		6	
C.11001	Support Block, for Clamp	60-27	1	
C.28976	Shim, under Support Block		1	
C.11002	Clamp, for mounting Servo Unit to Front Wing Valance	60-28	1	
UFB.125/13R	Bolt, through Clamp		2	
BD.3210	Grommet, for mounting Support Block to Front Wing Valance		2	
C.11908	Spacer, inside Grommets		2	
UFN.125/L	Nut, on Bolts		2	
FW.104/T	Washer, Plain, under Nuts		2	
C.724	Washer, Shakeproof, under Nuts		2	

STANDARD AND OVERDRIVE TRANSMISSION BRAKE CONTROLS

Part No.	Description	Plate No.	No. per Unit	Remarks
C.24707	BRAKE VACUUM SERVO (4258-422)		1	
C.24936	Grommet, for mounting of Servo		2	Fitted to Chassis No. } 1B.2101 and subs. } 3-4 litre 1B.25286 and subs. } 1B.52037 and subs. } 3-8 litre 1B.76292 and subs. } Except Chassis Nos. } 1B.52071; 1B.52074; 1B.52080; 1B.52081; 1B.76039; 1B.76310 and 1B.76371 Also fitted to Chassis Nos. 1B.1975; 1B.25260 and 1B.76209
C.24937	Spacer, inside Grommets		2	
C.8737/2	Nut, Self-Locking, securing Servo to Cowl		2	
FW.105/T	Washer, Plain, under Nuts		4	
C.11001	Support Block, for Clamp		1	
C.28976	Shim, under Support Block		1	
C.11002	Clamp, for mounting Servo to Front Wing Valance		1	
UFB.125/13R	Bolt, through Clamp		2	
BD.3210	Grommet, for mounting Support Block to Front Wing Valance		2	
C.11908	Spacer, inside Grommets		2	
UFN.125/L	Nut, on Bolts		2	
FW.104/T	Washer, Plain, under Nuts		2	
C.724	Washer, Shakeproof, under Nuts		2	
BD.29992	COWL, ON R.H. WING VALANCE, ENCLOSING BRAKE SERVO UNIT		1	
DJZ.812/10C	Screw, Self-Tapping, securing Cowl		5	
BD.8536/3	Spire Nut, receiving Self-Tapping Screws		5	
UFS.825/5H	Screw, Set, securing Cowl		2	
C.724	Washer, Shakeproof, on Setscrews		2	
FW.104/T	Washer, Plain, under Shakeproof Washers and on Self-Tapping Screws		7	
C.13172	AIR CLEANER FOR BRAKE VACUUM SERVO (7223289)	60-29	1	
C.13883	HOSE FROM BRAKE VACUUM SERVO TO AIR CLEANER	60-30	1	
C.2905/1	Clip, securing Hose to Brake Vacuum Servo	60-31	1	
C.13882	Support Clip, fixing Hose to Air Cleaner and Body	60-32	1	
UFS.119/4R	Screw, Set, securing Support Clip		1	
UFN.119/L	Nut, on Setscrew		1	
C.723/A	Washer, Shakeproof, under Nut		1	
C.13706	HYDRAULIC PIPE, FROM BRAKE VACUUM SERVO TO MASTER CYLINDER (VBO.3215)	60-33	1	R.H. DRIVE CARS ONLY Fitted from Chassis No. 1B.1001 to 1B.2100 3-4 litre 1B.50001 to 1B.52036 3-8 litre
C.23629	HYDRAULIC PIPE, FROM BRAKE VACUUM SERVO TO MASTER CYLINDER (VBO.6072)		1	L.H. DRIVE CARS ONLY Fitted from Chassis No. 1B.25001 to 1B.25284 3-4 litre 1B.75001 to 1B.76291 3-8 litre

STANDARD AND OVERDRIVE TRANSMISSION BRAKE CONTROLS

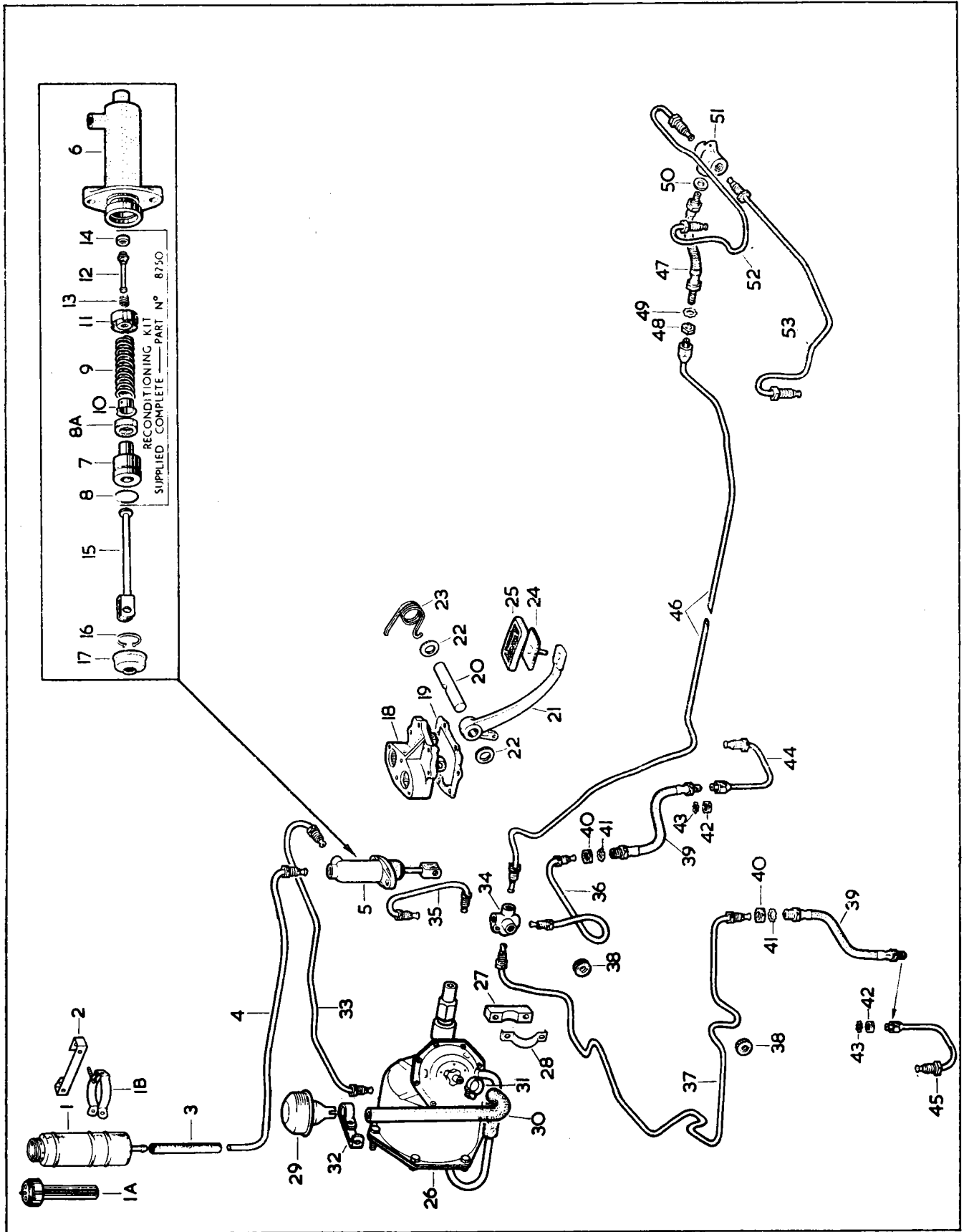
Part No.	Description	Plate No.	No. per Unit	Remarks
C.24919	HYDRAULIC PIPE, FROM BRAKE VACUUM SERVO TO MASTER CYLINDER (VBO.6072/33¼)		1	R.H. DRIVE CARS ONLY Fitted from Chassis No. 1B.2101 to 1B.8385 3-4 litre 1B.52037 to 1B.59333 3-8 litre
C.24920	HYDRAULIC PIPE, FROM BRAKE VACUUM SERVO TO MASTER CYLINDER (VBO.6072/71½)		1	L.H. DRIVE CARS ONLY Fitted from Chassis No. 1B.25285 to 1B.26210 3-4 litre 1B.76292 to 1B.80268 3-8 litre
C.28081	HYDRAULIC PIPE, FROM BRAKE VACUUM SERVO TO MASTER CYLINDER (3506410W)		1	R.H. DRIVE CARS ONLY Fitted to Chassis No. 1B.8386 and subs. 1B.59334 and subs.
C.28056	HYDRAULIC PIPE, FROM BRAKE VACUUM SERVO TO MASTER CYLINDER (64476597)		1	L.H. DRIVE CARS ONLY Fitted to Chassis No. 1B.26211 and subs. 1B.80269 and subs.
C.11008	4-WAY ADAPTOR (80845)	60-34	1	
UFB.125/11R	Bolt, securing 4-way Adaptor		1	
UFN.125/L	Nut, on Bolt		1	
FW.104/T	Washer, Plain, under Nut		1	
C.724	Washer, Shakeproof, under Nut		1	
C.15712	Spacer, between 4-way Adaptor and Valance		1	
C.13708	HYDRAULIC PIPE, FROM 4-WAY ADAPTOR TO BRAKE VACUUM SERVO (T43/13½B)	60-35	1	
C.13709	HYDRAULIC PIPE, FROM 4-WAY ADAPTOR TO FLEXIBLE HOSE ON R.H. FRONT BRAKE (T43/22B)	60-36	1	

STANDARD AND OVERDRIVE TRANSMISSION BRAKE CONTROLS

Part No.	Description	Plate No.	No. per Unit	Remarks
C.23288	HYDRAULIC PIPE, FROM 4-WAY ADAPTOR TO FLEXIBLE HOSE ON L.H. FRONT BRAKE (VBO.6Q75/7²/₈)	60-37	1	
C.20414	Clip, securing Hydraulic Pipes to L.H. Wing Valance		1	
DZZ.410/6C	Screw, Self-Tapping, securing Clip		1	
C.2706	Grommet, on Hydraulic Pipes (859059)	60-38	2	
C.13686	FLEXIBLE HOSE TO FRONT BRAKES (WDO.22676/15¹/₂)	60-39	2	
C.3910	Locknut, securing Hóse to Pipes (23897)	60-40	2	
C.3911	Washer, Shakeproof, under Locknuts (K.19411)	60-41	2	
UFN.237/L	Locknut, securing Hoses to Brackets on Front Suspension	60-42	2	
C.726	Washer, Shakeproof, under Locknuts	60-43	2	
C.23030	HYDRAULIC PIPE, FROM FLEXIBLE HOSE TO R.H. FRONT BRAKE CALIPER (VBO.6076/11¹/₈)	60-44	1	Fitted from Chassis No. 1B.1001 to 1B.5138 } 3-4 litre 1B.25001 to 1B.25705 } 1B.50001 to 1B.55687 } 3-8 litre 1B.75001 to 1B.78494 }
C.23031	HYDRAULIC PIPE, FROM FLEXIBLE HOSE TO L.H. FRONT BRAKE CALIPER (VBO.6076/11¹/₈)	60-45	1	
C.25694	HYDRAULIC PIPE, FROM FLEXIBLE HOSE TO R.H. FRONT BRAKE CALIPER (VBO.6076/11⁷/₈)		1	REQUIRED FOR USE WITH CALIPERS C.25709 AND C.25710 Fitted from Chassis No. 1B.5139 to 1B.9190 1B.25706 to 1B.26306 1B.55688 to 1B.59652 1B.78495 to 1B.80375
C.25695	HYDRAULIC PIPE, FROM FLEXIBLE HOSE TO L.H. FRONT BRAKE CALIPER (VBO.6076/11⁷/₈)		1	
C.26924	HYDRAULIC PIPE, FROM FLEXIBLE HOSE TO R.H. FRONT BRAKE CALIPER (3601530W)		1	REQUIRED FOR USE WITH CALIPERS PART NO. 11910 AND 11911 Fitted to Chassis No. 1B.9191 and subs. 1B.26307 and subs. 1B.59653 and subs. 1B.80376 and subs.
C.26926	HYDRAULIC PIPE, FROM FLEXIBLE HOSE TO L.H. FRONT BRAKE CALIPER (3601530W)		1	
C.1040/13	Clip, retaining Hydraulic Pipes to Calipers		2	
DZZ.408/5C	Screw, Self-Tapping, securing Clips		2	
BD.541/34	Washer, on Screws		2	

STANDARD AND OVERDRIVE TRANSMISSION BRAKE CONTROLS

Part No.	Description	Plate No.	No. per Unit	Remarks
C.22741	HYDRAULIC PIPE FROM 4-WAY ADAPTOR TO REAR FLEXIBLE HOSE (VBO.6076/105)	60-46	1	
C.19754	FLEXIBLE HOSE FROM PIPE TO 3-WAY ADAPTOR (WDO.22681/9)	60-47	1	
UFN.237/L	Locknut, securing Hose to Body Bracket	60-48	1	
C.726	Washer, Shakeproof, under Locknut	60-49	1	
C.11239	Copper Gasket, at joint of Hose to 3-way Adaptor (KL.44516)	60-50	1	
C.13685	3-WAY ADAPTOR ON REAR SUSPENSION CROSS MEMBER (29587)	60-51	1	
UFB.125/9R	Bolt, securing 3-way Adaptor to Rear Cross Member		1	
FW.104/T	Washer, Plain, on Bolt		1	
UFN.125/L	Nut, on Bolt		1	
C.724	Washer, Shakeproof, under Nut		1	
C.24501	HYDRAULIC PIPE, FROM 3-WAY ADAPTOR TO R.H. REAR BRAKE (VBO.6075/26½)	60-52	1	
C.22743	HYDRAULIC PIPE, FROM 3-WAY ADAPTOR TO L.H. REAR BRAKE (VBO.6075/29½)	60-53	1	
C.1040/29	Clip, securing Hydraulic Brake Pipes to Valance		8	
DZZ.408/6C	Screw, Self-Tapping, for Clips		8	
C.10268	Clip, securing Hydraulic Brake Pipes to Body Underframe		5	
C.1040/22	Clip, securing Hydraulic Brake Pipes to Body Underframe		2	
C.1040/24	Clip, securing Hydraulic Brake Pipes to Body Underframe		1	
C.23677/1	Clip, securing Hydraulic Brake Pipe to Body Underframe		2	



AUTOMATIC TRANSMISSION BRAKE CONTROLS

Part No.	Description	Plate No.	No. per Unit	Remarks
C.23638	BRAKE FLUID CONTAINER	61-1	1	
C.23632	Filler Cap, complete with Level Indicator Switch	61-1A	1	
C.23627	Cap, protecting Level Indicator		1	
C.23497	Clip, around Fluid Container	61-1B	1	
UFS.319/8H	Screw, Set, securing Clip to Container		1	
UFN.119/L	Nut, on Setscrew		1	
C.723/A	Washer, Shakeproof, under Nut		1	
C.23116	BRACKET, MOUNTING BRAKE FLUID CONTAINER	61-2	1	} R.H. DRIVE CARS ONLY
UFS.125/5R	Screw, Set, securing Bracket to Valance		2	
UFN.125/L	Nut, on Setscrews		2	
C.724	Washer, Shakeproof, under Nuts		2	
FW.104/T	Washer, Plain, under Shakeproof Washers		2	
C.22754	BRACKET, MOUNTING BRAKE FLUID CONTAINER		1	} L.H. DRIVE CARS ONLY
UFS.125/4R	Screw, Set, securing Bracket to Valance		1	
C.724	Washer, Shakeproof, on Setscrew		1	
C.6854	HOSE FROM FLUID CONTAINER TO HYDRAULIC PIPE	61-3	1	} Fitted from Chassis No. 1B.1001 to 1B.8385 } 3-4 litre 1B.25001 to 1B.26210 } 1B.50001 to 1B.59333 } 3-8 litre 1B.75001 to 1B.80269 }
C.15886/5	Clip, securing Hose to Container		1	
C.15886/3	Clip, securing Hose to Hydraulic Pipe		1	
C.20072/11	HOSE FROM FLUID CONTAINER TO HYDRAULIC PIPE		1	} Fitted to Chassis No. 1B.8386 and subs. } 3-4 litre 1B.26211 and subs. } 1B.59334 and subs. } 3-8 litre 1B.80270 and subs. }
C.15886/5	Clip, securing Hose to Container		1	
C.15886/3	Clip, securing Hose to Hydraulic Pipe		1	
C.23703	HYDRAULIC PIPE FROM HOSE TO MASTER CYLINDER (VBO.6078/20¹/₈)	61-4	1	FITTED TO R.H. DRIVE CARS ONLY
C.23105	HYDRAULIC PIPE FROM HOSE TO MASTER CYLINDER (VBO.6078/6¹/₂)		1	FITTED TO L.H. DRIVE CARS ONLY

AUTOMATIC TRANSMISSION BRAKE CONTROLS

Part No.	Description	Plate No.	No. per Unit	Remarks
C.26915	HYDRAULIC PIPE FROM HOSE TO MASTER CYLINDER		1	} FOR R.H. DRIVE CARS ONLY Fitted to Chassis No. 1B.8386 and subs. 3-4 litre 1B.59334 and subs. 3-8 litre
C.1040/9	Clip, securing Hydraulic Pipe to R.H. Wing Valance		1	
DZZ.408/6C	Screw, Self-Tapping, securing Clip		1	
C.26916	HYDRAULIC PIPE FROM HOSE TO MASTER CYLINDER		1	FOR L.H. DRIVE CARS ONLY Fitted to Chassis No. 1B.26211 and subs. 3-4 litre 1B.80270 and subs. 3-8 litre
C.16469	BRAKE MASTER CYLINDER ASSEMBLY (VBM.3280)	61-5	1	} C.16469 IS NO LONGER AVAILABLE. USE 11977 AS A REPLACEMENT INDIVIDUAL PARTS OF C.16469 ARE STILL OBTAINABLE Fitted from Chassis No. 1B.1001 to 1B.2997 } 3-4 litre 1B.25001 to 1B.25429 } 1B.50001 to 1B.53182 } 3-8 litre 1B.75001 to 1B.77220 }
7474	Body only (VBM.3236)	61-6	1	
N.S.S.	Piston (VBO.4768)	61-7	1	
N.S.S.	'O' Ring, on Piston (VBO.4623)	61-8	1	
N.S.S.	Cup Seal, on Piston (VBO.4625)	61-8A	1	
N.S.S.	Main Spring, behind Piston (VBO.4767)	61-9	1	
6942	Spring Support, at forward end of Cylinder Body (VBO.2042)	61-10	1	
7675	Spring Support, at rear end of Cylinder Body (VBO.4141)	61-11	1	
7676	Valve (VBO.3539)	61-12	1	
6943	Spring, on Valve (VBO.1410)	61-13	1	
8296	Seal, at end of Valve (VBO.4842)	61-14	1	
8297	Push Rod (VBO.4238)	61-15	1	
9660	Circlip, retaining Push Rod in Cylinder Body (VBO.7931)	61-16	1	
6945	Dust Excluder, over end of Cylinder Body (VBO.1869)	61-17	1	
C.25425	BRAKE MASTER CYLINDER ASSEMBLY (VB.80029)		1	} Fitted from Chassis No. 1B.2998 to 1B.8385 } 3-4 litre 1B.25430 to 1B.26210 } 1B.53183 to 1B.59333 } 3-8 litre 1B.77221 to 1B.80269 }
11039	Piston (VB.20367)		1	
11040	Main Spring, behind Piston (VB.20368)		1	
9314	Spring Support, at forward end of Cylinder Body (VBO.8885)		1	
11041	Spring Support, at rear end of Cylinder Body (VB.20370)		1	
All other items are as Master Cylinder C.16469				
8250	BRAKE MASTER CYLINDER RECONDITIONING KIT (VBO.4843/A) (SP.9015)		1	For use with Master Cylinder C.16469 and C.25425
Comprising:—				
	N.S.S. Piston		1 off	Exchange Scheme does not operate on Brake Master Cylinder
	N.S.S. 'O' Ring on Piston		1 off	
	N.S.S. Cup Seal on Piston		1 off	
	N.S.S. Main Spring behind Piston		1 off	
	N.S.S. Valve		1 off	
	N.S.S. Spring Support, forward		1 off	
	N.S.S. Spring Support, rear		1 off	
	N.S.S. Spring on Valve		1 off	
	N.S.S. Seal at end of Valve		1 off	
	N.S.S. Circlip		1 off	
	N.S.S. Dust Excluder		1 off	

AUTOMATIC TRANSMISSION BRAKE CONTROLS

Part No.	Description	Plate No.	No. per Unit	Remarks
C.27160	BRAKE MASTER CYLINDER ASSEMBLY (64068590)		1	Fitted to Chassis No. 1B.8386 and subs. } 3.4 litre 1B.26211 and subs. } 1B.59334 and subs. } 3.8 litre 1B.80270 and subs. }
N.S.S.	Body only (64675906)		1	
N.S.S.	Seal, on Valve (362802)		1	
7350	Valve (378641)		1	
11600	Spring Retainer (64673391)		1	
7349	Spacer (318001)		1	
N.S.S.	Spring (64673425)		1	
N.S.S.	Seal, for Plunger (64673529)		1	
11605	Plunger (64675744)		1	
11606	Push Rod Assembly (64676262)		1	
N.S.S.	Circlip (378912)		1	
N.S.S.	Dust Cover (64673976)		1	
11607	Retainer, for Dust Cover (378070)		1	
N.S.S.	Spring Washer (378960)		1	
11578	REPAIR KIT FOR SERVICING BRAKE MASTER CYLINDER (SP.2105)		1	For use with Master Cylinder C.27160
	Comprising:—			
	N.S.S. Seal on Valve	1 off		
	N.S.S. Seal for Plunger	1 off		
	N.S.S. Circlip	1 off		
	N.S.S. Dust Cover	1 off		
	N.S.S. Spring Washer	1 off		
				Exchange Scheme does not operate on Brake Master Cylinder
8250	BRAKE MASTER CYLINDER RECONDITIONING KIT (VBO.4843)		1	
C.24014	HOUSING FOR BRAKE PEDAL AND MASTER CYLINDER	61-18	1	
C8954	Stud, mounting Housing to Scuttle		7	
UFN.131/L	Nut, on Studs		7	
C.725	Washer, Shakeproof, under Nuts		7	
C.8957	Gasket, between Housing and Scuttle	61-19	1	2 REQUIRED FOR L.H. DRIVE CARS
C.27072	Stud, in Housing, mounting Brake Master Cylinder		2	
C.27168	Spacer, on Studs, between Master Cylinder and Housing		1	
UFN.131/L	Nut, on Studs, securing Master Cylinder		2	
C.725	Washer, Shakeproof, under Nuts		2	
C.8958	SHAFT, SUPPORTING BRAKE PEDAL IN HOUSING	61-20	1	
C.8967	Bolt, securing Shaft in Housing		1	
C.8737/1	Nut, Self-Locking, on Bolt		1	
FW.104/T	Washer, Plain, under Nut		1	

AUTOMATIC TRANSMISSION BRAKE CONTROLS

Part No.	Description	Plate No.	No. per Unit	Remarks
C.8971	COVER PLATE, SEALING REDUNDANT PEDAL HOLE IN DASH (171/265)		1	
C.8957	Gasket, under Cover Plate		1	
UFS.125/5R	Screw, Set, securing Cover Plate		4	
UFN.125/L	Nut, on Setscrews		4	
C.724	Washer, Shakeproof, under Nuts		4	
FW.104/T	Washer, Plain, under Shakeproof Washers		4	
C.13514	BRAKE PEDAL (COMPLETE WITH BUSHES)	61-21	1	R.H. DRIVE CARS ONLY
C.20955/4	Bush, in Brake Pedal Boss		2	
C.13249	BRAKE PEDAL (COMPLETE WITH BUSHES)		1	L.H. DRIVE CARS ONLY
C.20955/4	Bush, in Brake Pedal Boss		2	
C.13248	BRAKE PEDAL (COMPLETE WITH BUSHES)		1	L.H. DRIVE CARS ONLY
C.20955/4	Bush, in Brake Pedal Boss		2	Note. This Pedal operates on the normal Clutch Pedal Fulcrum and is joined to Pedal C.13249 by Steel Pad C.15326
C.8962	Washer (Fibre) at each side of Pedal Boss	61-22	2	
J.105/9.5S	Clevis Pin, securing Pedal to Fork End on Master Cylinder		1	
L.103/7U	Split Pin, retaining Clevis Pin		1	
FW.105/T	Washer, Plain, behind Split Pin		1	
C.8963	RETURN SPRING FOR BRAKE PEDAL	61-23	1	
C.13066	STEEL PAD FOR BRAKE PEDAL	61-24	1	R.H. DRIVE CARS ONLY
C.15326	STEEL PAD FOR BRAKE PEDAL		1	L.H. DRIVE CARS ONLY
C.8667/2	Nut, securing Steel Pad to Brake Pedal		2	
C.6876	RUBBER PAD FOR BRAKE PEDAL	61-25	1	

AUTOMATIC TRANSMISSION BRAKE CONTROLS

Part No.	Description	Plate No.	No. per Unit	Remarks
C.19612	BRAKE VACUUM SERVO (4257-552)	61-26	1	Fitted from Chassis No. 1B.1001 to 1B.2100 } 3-4 litre 1B.25001 to 1B.25285 } 1B.50001 to 1B.52036 } 3-8 litre 1B.75001 to 1B.76291 } Except Chassis Nos. 1B.1975; 1B.25260 and 1B.76209 Also fitted to Chassis Nos. 1B.52071; 1B.52074; 1B.52080; 1B.52081; 1B.76309; 1B.76310 and 1B.76371
BD.3210	Grommet, for mounting Brake Vacuum Servo		3	
C.11908	Spacer, inside Grommets		3	
UFN.125/L	Nut, securing Brake Vacuum Servo to Cowl		3	
C.724	Washer, Shakeproof, under Nuts		3	
FW.104/T	Washer, Plain, each side of Cowl		6	
C.11001	Support Block, for Clamp	61-27	1	
C.28976	Shim, under Support Block		1	
C.11002	Clamp, for mounting Servo Unit to Front Wing Valance	61-28	1	
UFB.125/13R	Bolt, through Clamp		2	
BD.3210	Grommet, for mounting Support Block to Front Wing Valance		2	
C.11908	Spacer, inside Grommets		2	
UFN.125/L	Nut, on Bolts		2	
FW.104/T	Washer, Plain, under Nuts		2	
C.724	Washer, Shakeproof, under Nuts		2	
C.24707	BRAKE VACUUM SERVO (4258-422)		1	Fitted to Chassis No. 1B.2101 and subs. } 3-4 litre 1B.25286 and subs. } 1B.52037 and subs. } 3-8 litre 1B.76292 and subs. } Except Chassis Nos. 1B.52071; 1B.52074; 1B.52080; 1B.52081; 1B.76039; 1B.76310 and 1B.76371 Also fitted to Chassis Nos. 1B.1975; 1B.25260 and 1B.76209
C.24936	Grommet, for mounting of Servo		2	
C.24937	Spacer, inside Grommets		2	
C.8737/2	Nut, Self-Locking, securing Servo to Cowl		2	
FW.105/T	Washer, Plain, under Nuts		4	
C.11001	Support Block, for Clamp		1	
C.28976	Shim, under Support Block		1	
C.11002	Clamp, for mounting Servo to Front Wing Valance		1	
UFB.125/13R	Bolt, through Clamp		2	
BD.3210	Grommet, for mounting Support Block to Front Wing Valance		2	
C.11908	Spacer, inside Grommets		2	
UFN.125/L	Nut, on Bolts		2	
FW.104/T	Washer, Plain, under Nuts		2	
C.724	Washer, Shakeproof, under Nuts		2	
BD.29992	COWL, ON R.H. WING VALANCE, ENCLOSING BRAKE SERVO UNIT		1	
DJZ.812/10C	Screw, Self-Tapping, securing Cowl		5	
BD.8536/3	Spire Nut, receiving Self-Tapping Screws		5	
UFS.825/5H	Screw, Set, securing Cowl		2	
C.724	Washer, Shakeproof, on Setscrews		2	
FW.104/T	Washer, Plain, under Shakeproof Washers and on Self-Tapping Screws		7	
C.13172	AIR CLEANER FOR BRAKE VACUUM SERVO (7223289)	61-29	1	
C.13883	HOSE FROM BRAKE VACUUM SERVO TO AIR CLEANER	61-30	1	
C.2905/1	Clip, securing Hose to Brake Vacuum Servo	61-31	1	
C.13882	Support Clip, fixing Hose to Air Cleaner and Body	61-32	1	
UFS.119/4R	Screw, Set, securing Support Clip		1	
UFN.119/L	Nut, on Setscrew		1	
C.723/A	Washer, Shakeproof, under Nut		1	

AUTOMATIC TRANSMISSION BRAKE CONTROLS

Part No.	Description	Plate No.	No. per Unit	Remarks
C.13706	HYDRAULIC PIPE, FROM BRAKE VACUUM SERVO TO MASTER CYLINDER (VBO.3215)	61-33	1	R.H. DRIVE CARS ONLY
C.23629	HYDRAULIC PIPE, FROM BRAKE VACUUM SERVO TO MASTER CYLINDER (VBO.6072)		1	L.H. DRIVE CARS ONLY
C.24919	HYDRAULIC PIPE, FROM BRAKE VACUUM SERVO TO MASTER CYLINDER (VBO.6072/33¼)		1	R.H. DRIVE CARS ONLY Fitted from Chassis No. 1B.2101 to 1B.8385 3-4 litre 1B.52037 to 1B.59333 3-8 litre
C.24920	HYDRAULIC PIPE, FROM BRAKE VACUUM SERVO TO MASTER CYLINDER (VBO.6072/71½)		1	L.H. DRIVE CARS ONLY Fitted from Chassis No. 1B.25285 to 1B.26210 3-4 litre 1B.76292 to 1B.80268 3-8 litre
C.28081	HYDRAULIC PIPE, FROM BRAKE VACUUM SERVO TO MASTER CYLINDER (3506410W)		1	R.H. DRIVE CARS ONLY Fitted to Chassis No. 1B.8386 and subs. 3-4 litre 1B.59334 and subs. 3-8 litre
C.28056	HYDRAULIC PIPE, FROM BRAKE VACUUM SERVO TO MASTER CYLINDER (64476597)		1	L.H. DRIVE CARS ONLY Fitted to Chassis No. 1B.26211 and subs. 3-4 litre 1B.80269 and subs. 3-8 litre
C.11008	4-WAY ADAPTOR (80845)	61-34	1	
UFB.125/11R	Bolt, securing 4-Way Adaptor		1	
UFN.125/L	Nut, on Bolt		1	
FW.104/T	Washer, Plain, under Nut		1	
C.724	Washer, Shakeproof, under Nut		1	
C.15712	Spacer, between 4-Way Adaptor and Valance		1	
C.13708	HYDRAULIC PIPE, FROM 4-WAY ADAPTOR TO BRAKE VACUUM SERVO (T43/13½B)	61-35	1	

AUTOMATIC TRANSMISSION BRAKE CONTROLS

Part No.	Description	Plate No.	No. per Unit	Remarks
C.13709	HYDRAULIC PIPE, FROM 4-WAY ADAPTOR TO FLEXIBLE HOSE ON R.H. FRONT BRAKE (VBO.6075/72 ³ / ₈)	61-36	1	
C.23288	HYDRAULIC PIPE, FROM 4-WAY ADAPTOR TO FLEXIBLE HOSE ON L.H. FRONT BRAKE	61-37	1	
C.20414	Clip, securing Hydraulic Pipes to L.H. Wing Valance Screw, Self-Tapping, securing Clip Grommet, on Hydraulic Pipes (859059)		1	
DZZ.410/6C			1	
C.2706		61-38	2	
C.13686	FLEXIBLE HOSE TO FRONT BRAKES (WDO.22211/15 ¹ / ₂)	61-39	2	
C.3910	Locknut, securing Hoses to Pipes (23897)	61-40	2	
C.3911	Washer, Shakeproof, under Locknuts (K.19411)	61-41	2	
UFN.237/L	Locknut, securing Flexible Hoses to Brackets on Front Suspension	61-42	2	
C.726	Washer, Shakeproof, under Locknuts	61-43	2	
C.23030	HYDRAULIC PIPE, FROM FLEXIBLE HOSE TO R.H. FRONT BRAKE CALIPER (VBO.6076/11 ¹ / ₈)	61-44	1	Fitted from Chassis No. 1B.1001 to 1B.5138 } 3-4 litre 1B.25001 to 1B.25705 } 1B.50001 to 1B.55687 } 3-8 litre 1B.75001 to 1B.78494 }
C.23031	HYDRAULIC PIPE, FROM FLEXIBLE HOSE TO L.H. FRONT BRAKE CALIPER (VBO.6076/11 ¹ / ₈)	61-45	1	
C.25694	HYDRAULIC PIPE, FROM FLEXIBLE HOSE TO R.H. FRONT BRAKE CALIPER (VBO.6076/11 ⁷ / ₈)		1	REQUIRED FOR USE WITH CALIPERS C.25709 AND C.25710 Fitted from Chassis No. 1B.5139 to 1B.9190 1B.25706 to 1B.26306 1B.55688 to 1B.59652 1B.78495 to 1B.80375
C.25695	HYDRAULIC PIPE, FROM FLEXIBLE HOSE TO L.H. FRONT BRAKE CALIPER (VBO.6076/11 ⁷ / ₈)		1	
C.26924	HYDRAULIC PIPE, FROM FLEXIBLE HOSE TO R.H. FRONT BRAKE CALIPER (3601530W)		1	REQUIRED FOR USE WITH CALIPERS PART NO. 11910 AND 11911 Fitted to Chassis No. 1B.9191 and subs. 1B.26307 and subs. 1B.59653 and subs. 1B.80376 and subs.

AUTOMATIC TRANSMISSION BRAKE CONTROLS

Part No.	Description	Plate No.	No. per Unit	Remarks
C.26926	HYDRAULIC PIPE, FROM FLEXIBLE HOSE TO L.H. FRONT BRAKE CALIPER (3601530W)		1	REQUIRED FOR USE WITH CALIPERS PART NO. 11910 AND 11911, Fitted to Chassis No. 1B.9191 and subs.
C.1040/13	Clip, retaining Hydraulic Pipes to Calipers		2	1B.26307 and subs.
DZZ.408/5C	Screw, Self-Tapping, securing Clips		2	1B.59653 and subs.
BD.541/34	Washer, on Screws		2	1B.80376 and subs.
C.22898	HYDRAULIC PIPE, FROM 4-WAY ADAPTOR TO ANTI-CREEP SOLENOID (VBO.6072/48¼)	61-46	1	} REQUIRED FOR MODEL 'D.G.' AUTOMATIC TRANSMISSION ONLY
C.12750	ANTI-CREEP SOLENOID (765020)	61-47	1	
C.22899	HYDRAULIC PIPE, FROM ANTI-CREEP SOLENOID TO REAR FLEXIBLE HOSE (VBO.6073/55¼)	61-48	1	
C.22741	HYDRAULIC PIPE, FROM 4-WAY ADAPTOR TO REAR FLEXIBLE HOSE (VBO.6076/105)		1	REQUIRED WHEN MODEL 35 AUTOMATIC TRANSMISSION IS FITTED
C.19754	FLEXIBLE HOSE, FROM PIPE TO 3-WAY ADAPTOR (WDO.22681/9)	61-49	1	
UFN.237/L	Locknut, securing Hose to Body Bracket	61-50	1	
C.726	Washer, Shakeproof, under Locknut	61-51	1	
C.11239	Copper Gasket, at joint of Hose 3-way Adaptor (KL.44516)	61-52	1	
C.13685	3-WAY ADAPTOR ON REAR SUSPENSION CROSS MEMBER (29587)	61-53	1	
UFB.125/9R	Bolt, securing 3-way Adaptor to Rear Cross Member		1	
FW.104/T	Washer, Plain, on Bolt		1	
UFN.125/L	Nut, on Bolt		1	
C.724	Washer, Shakeproof, under Nut		1	
C.24501	HYDRAULIC PIPE, FROM 3-WAY ADAPTOR TO R.H. REAR BRAKE (VBO.6075/29½)	61-54	1	
C.22743	HYDRAULIC PIPE, FROM 3-WAY ADAPTOR TO L.H. REAR BRAKE (VBO.6075/29½)	61-55	1	
C.1040/29	Clip, securing Hydraulic Brake Pipes to Valance		8	
DZZ.408/6C	Screw, Self-Tapping, for Clips		8	
C.10268	Clip, securing Hydraulic Brake Pipes to Body Underframe		5	
C.1040/24	Clip, securing Hydraulic Brake Pipes to Body Underframe		3	
C.23677/1	Clip, securing Hydraulic Brake Pipes to Body Underframe		2	

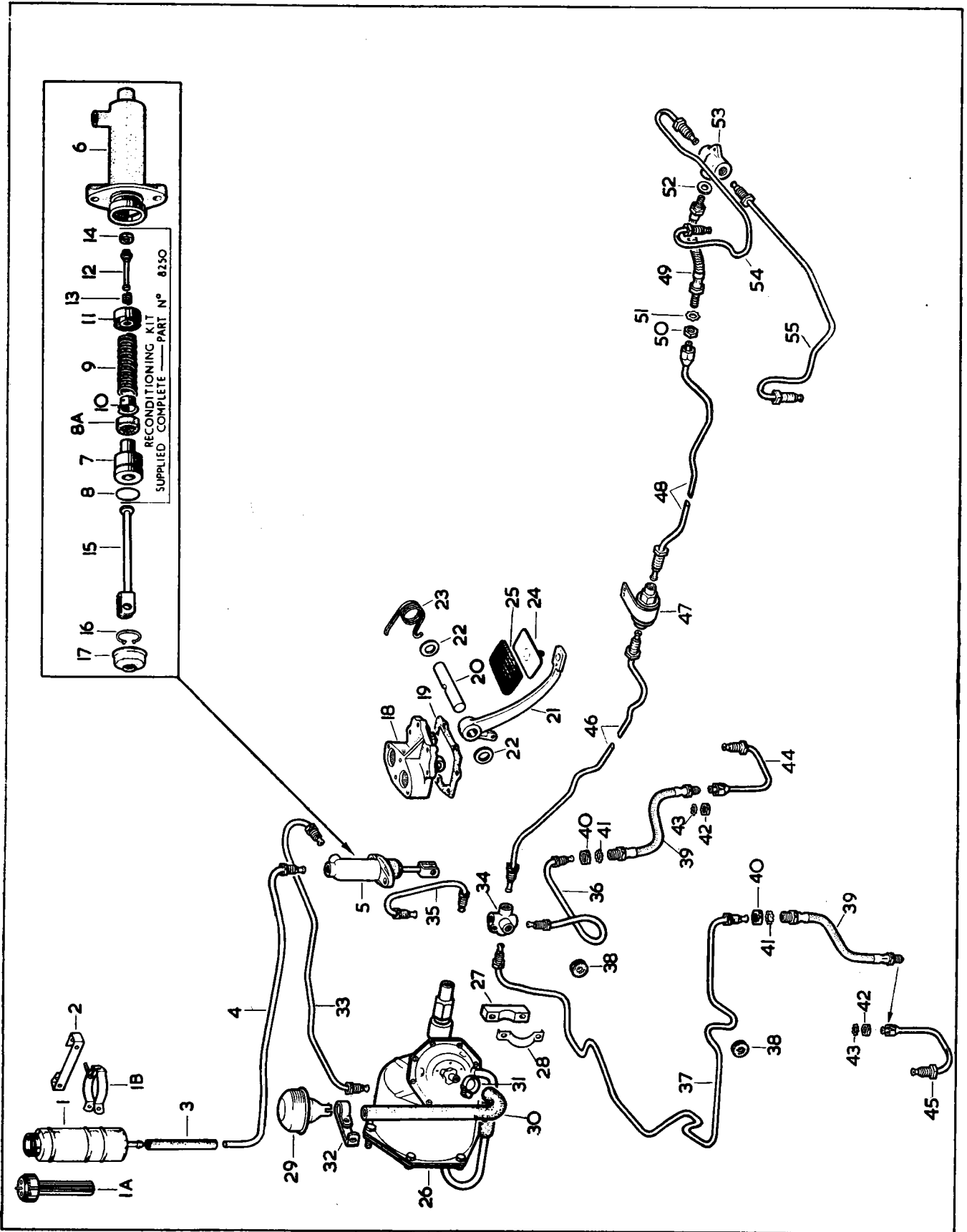


PLATE 61

HANDBRAKE CONTROL

Part No.	Description	Plate No.	No. per Unit	Remarks
C.15501	HANDBRAKE ASSEMBLY	62-1	1	R.H. DRIVE CARS ONLY
C.15502	HANDBRAKE ASSEMBLY		1	L.H. DRIVE CARS ONLY
C.17162	Cover Plate , exposing Handbrake Pawl	62-2	1	
UFS.131/7R	Screw , Set, securing Handbrake to Floor		2	
FG.106/X	Washer , Spring, on Setscrew		1	
C.8667/3	Nut , Self-Locking, on Setscrew		1	
FW.106/T	Washer , Plain, under Nut		1	
C.24316	SHAFT ASSEMBLY FOR HANDBRAKE LEVER	62-3	1	
C.29080	HOUSING, FOR HANDBRAKE SHAFT	62-4	1	
C.22024	Rubber Seal , on Handbrake Shaft, for Housing	62-5	1	
UFN.125/L	Nut , securing Housing to Studs on Underframe Side Member		2	} Fitted from Chassis No. 1B.1001 to 1B.1681 } 3-4 litre 1B.25001 to 1B.25203 } 1B.50001 to 1B.51394 } 3-8 litre 1B.75001 to 1B.75934 }
FG.104/X	Washer , Spring, under Nuts		2	
UFN.125/7R	Screw , Set, securing Housing to Underframe Side Member		2	} Fitted to Chassis No. 1B.1682 and subs. } 3-4 litre 1B.25204 and subs. } 1B.51395 and subs. } 3-8 litre 1B.75935 and subs. }
FG.104/X	Washer , Spring, on Setscrew		2	
C.27421	HANDBRAKE LEVER, FROM SHAFT TO HANDBRAKE CABLE	62-6	1	
UFS.131/6R	Screw , Set, clamping Lever to Splined end of Shaft		1	
FG.105/X	Washer , Spring, on Setscrew		1	
C.23025	HANDBRAKE CABLE ABUTMENT BRACKET	62-7	1	
UFS.119/6R	Screw , Set, securing Abutment Bracket to Underframe		2	
AW.102/T	Washer , Plain, on Setscrews		2	
AG.102/X	Washer , Spring, on Setscrews		2	
C.22026	HANDBRAKE CABLE ASSEMBLY	62-8	1	
C.19699	Trunion , retaining Handbrake Cable in Connecting Lever	62-9	1	
C.19700	Adjusting Nut , for Cable, at front and rear of Trunion	62-10	2	
UFS.125/8R	Screw , Set, securing Handbrake Cable in Abutment Bracket		1	
FG.104/X	Washer , Spring, on Setscrew		1	
C.23112	Spring , for suspension of Handbrake Cable to Underside of Floor	62-11	1	

HANDBRAKE CONTROL

Part No.	Description	Plate No.	No. per Unit	Remarks
HANDBRAKE CABLE ASSEMBLY				
<i>(Cont'd)</i>				
C.23113	Clip, anchoring Cable to Underframe	62-12	1	} FITTED AT L.H. SIDE ON R.H. DRIVE CARS AND R.H. SIDE ON L.H. DRIVE CARS
J.105/11S	Clevis Pin, securing Handbrake Cable to Operating Lever of Handbrake Mechanism	62-13	1	
L.103/7U	Split Pin, retaining Clevis Pin		1	
FW.105/T	Washer, Plain, behind Split Pin		1	
C.22690	Return Spring, between Handbrake Mechanism Operating Levers and Rear Suspension Cross Member	62-14	2	
C.12833	SWITCH, AT BASE OF HANDBRAKE LEVER, OPERATING HANDBRAKE WARNING LAMP	62-15	1	See also Electrical Equipment
C.16180	Bracket, mounting Warning Lamp Switch	62-16	1	} FITTED TO R.H. DRIVE CARS ONLY FITTED TO L.H. DRIVE CARS ONLY
UFS.119/4H	Screw, Set, securing Bracket		2	
UFN.119/L	Nut, on Setscrews		2	
C.723/A	Washer, Shakeproof, under Nuts		2	
UFN.125/L	Nut, securing Switch to Bracket		2	
C.16185	Bracket, operating Handbrake Warning Lamp Switch	62-17	1	
C.16188	Bracket, operating Handbrake Warning Lamp Switch		1	
C.22027	BLANKING PLATE SEALING REDUNDANT HOLE FOR HANDBRAKE SHAFT	62-18	1	
C.22028	Gasket, for Blanking Plate	62-19	1	} Fitted from Chassis No. 1B.1001 to 1B.1681 } 3-4 litre 1B.25001 to 1B.25203 } 1B.50001 to 1B.51394 } 3-8 litre 1B.75001 to 1B.75934 } Fitted to Chassis No. 1B.1682 and subs. } 3-4 litre 1B.25204 and subs. } 1B.51395 and subs. } 3-8 litre 1B.75935 and subs. }
UFN.125/L	Nut, securing Blanking Plate to Studs on Underframe Side Member		2	
FG.104/X	Washer, Spring, under Nuts		2	
UFN.125/5R	Screw, Set, securing Blanking Plate to Underframe Side Member		2	
FG.104/X	Washer, Spring, on Setscrews		2	
C.11046	Rubber Plug, sealing redundant hole in Floor for Handbrake fixing	62-20	1	

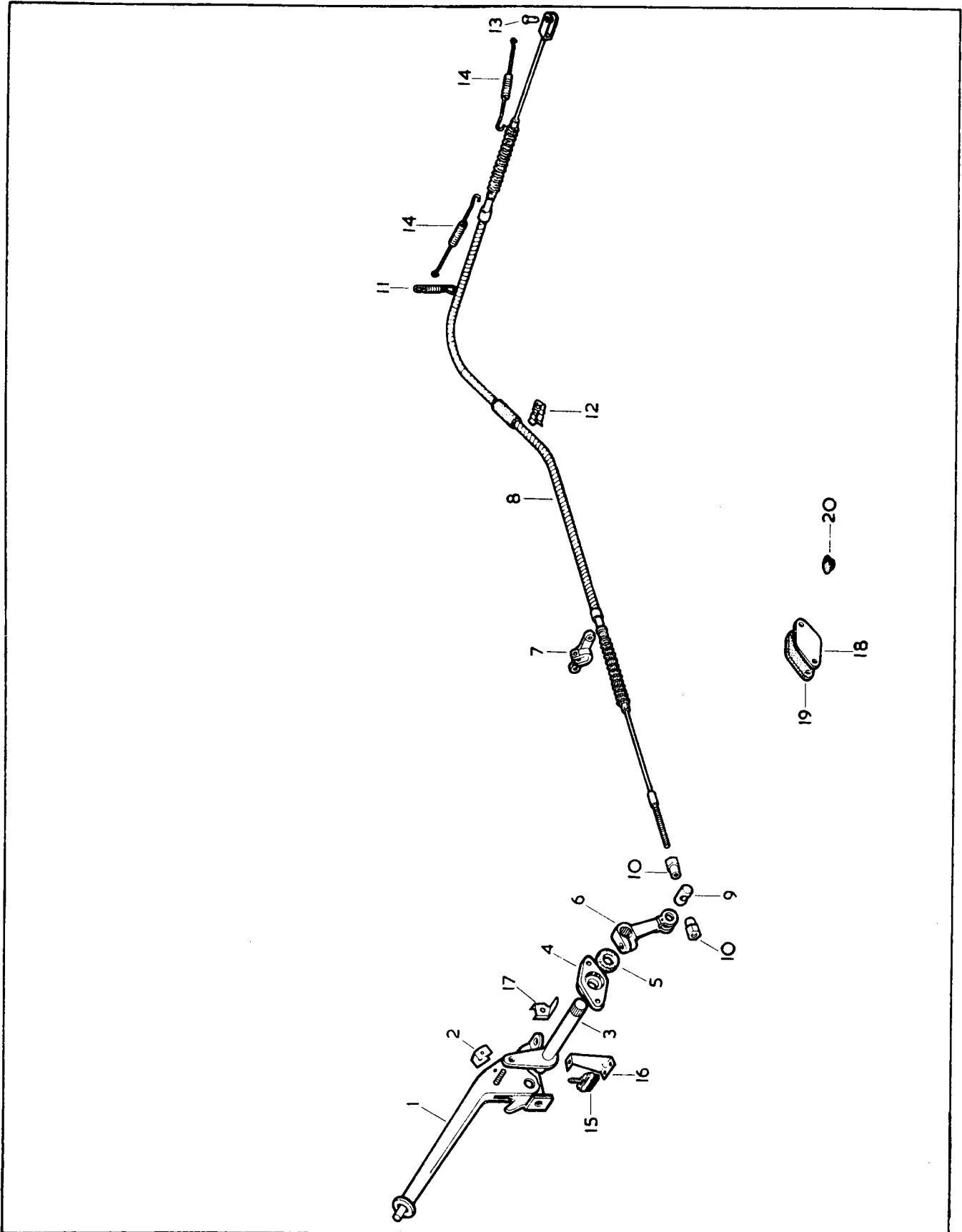


PLATE 62

ELECTRICAL EQUIPMENT

Part No.	Description	Plate No.	No. per Unit	Remarks
C.18286	DYNAMO (22902/B-C.42)	85-1	1	NOT REQUIRED WHEN POWER-ASSISTED STEERING IS FITTED
8584	Bracket, Commutator End (54213139)		1	
8881	Bearing, in Commutator End Bracket (54210144)		1	
9017	Spring, for Brush Tension (227542)		1 set	
8583	Brushes (54213141)		1 set	
9366	Bracket, Drive End (54213143)		1	
2756	Bearing, in Drive End Bracket (189307)		1	
8587	Armature (54210952)		1	
8588	Field Coils (54210950)		1 set	
UCS.131/10R	Screw, Set, retaining Dynamo to Adjusting Link		1	
FW.105/T	Washer, Plain, under head of Setscrew		1	
C.23028	Nut, Self-Locking, on Setscrew		1	
C.16930	DYNAMO (22906/A-C.42)		1	FOR USE ONLY WHEN POWER-ASSISTED STEERING IS FITTED
9970	Bracket, Commutator End (54213631)		1	
2754	Bearing, in Commutator End Bracket (189237)		1	
9971	Bracket, Drive End (54213630)		1	
9972	Armature (54212590)		1	
9973	Field Coils (54212574)		1 set	
All other items are as for Dynamo C.18286				
UCS.131/10R	Screw, Set, retaining Dynamo to Adjusting Link		1	
FW.105/T	Washer, Plain, under head of Setscrew		1	
C.23028	Nut, Self-Locking, on Setscrew		1	
C.18488	DYNAMO (22804/A-C.48)		1	HIGH OUTPUT. FITTED TO 3-8 LITRE CARS EXPORTED TO CANADA AT CHASSIS NO. 1B.76321 AND SUBS. SUPPLIED FOR OTHER CARS TO SPECIAL ORDER ONLY
8959	Bracket, Commutator End (54212309)		1	
2754	Bearing, in Commutator End Bracket (189237)		1	
8958	Spring, for Brush Tension (54212767)		1 set	
8957	Brushes (54213478)		1 set	
8960	Bracket, Drive End (54212310)		1	
7511	Bearing, in Drive End Bracket (189314)		1	
8956	Armature (54211541)		1	
8962	Nut, on Commutator Shaft (198840)		1	
8961	Field Coils (54212343)		1 set	
9254	Lucar Connector (54190044)		1	
C.15789	Lucar Connector (54190038)		1	
UCS.131/10R	Screw, Set, retaining Dynamo to Adjusting Link		1	
FW.105/T	Washer, Plain, under head of Setscrew		1	
C.23028	Nut, Self-Locking, on Setscrew		1	
C.14936	COUPLING ASSEMBLY, CONNECTING DYNAMO ARMATURE SHAFT WITH POWER STEERING PUMP (54211204)		1	REQUIRED ONLY WHEN POWER-ASSISTED STEERING IS FITTED
8285	Coupling only (54210027)		1	
C.13844	Driving Dog (239889)		2	
21279	Stud, in rear face of Dynamo, fixing Power Steering Pump (54102280)		3	
UCN.131/L	Nut, securing Pump		3	
C.16816	Washer, Spring, under Nuts (185061)		3	

ELECTRICAL EQUIPMENT

Part No.	Description	Plate No.	No. per Unit	Remarks
C.16218	COVER PLATE, ON REAR FACE OF DYNAMO, OVER END OF ARMATURE SHAFT		1	} FOR USE WITH DYNAMO C.18488 ON CARS NOT EQUIPPED WITH POWER-ASSISTED STEERING
C.8136	Distance Piece, at fixings of Cover Plate		3	
C.19519	DYNAMO PULLEY		1	FOR 3-8 LITRE CARS FITTED WITH C.18488 DYNAMO AND POWER-ASSISTED STEERING
C.19520	DYNAMO PULLEY	85-2	1	
C.18300	FAN, FOR DYNAMO PULLEY	85-3	1	FOR USE WITH DYNAMO C.18286 OR C.16930
C.17668	FAN, FOR DYNAMO PULLEY		1	FOR USE ONLY WITH DYNAMO C.18488
C.12679	STARTER MOTOR (26140/A-M.45/G)	85-4	1	NOT REQUIRED WHEN AUTOMATIC TRANSMISSION IS FITTED
6653	Bracket, Commutator End (271305)		1	
2801	Bushing, for Commutator End Bracket (255491)		1	
2811	Spring, for Brush Tension (270004)		1 set	
2804	Brushes (255659)		1 set	
5923	Bracket, Drive End (271458)		1	
2812	Bushing, for Drive End Bracket (270038)		1	
2803	Pinion and Sleeve (255649)		1	
2806	Spring, retaining Pinion (255728)		1	
2813	Armature (270482)		1	
2819	Field Coils (271306)		1 set	
C.12225	Strap Assembly, fixing Starter Motor to Clutch Housing	85-5	1	
UFN.137/L	Nut, securing Starter Motor		2	
FG.106/X	Washer, Spring, under Nuts		2	
C.30287	STARTER SOLENOID SWITCH (76772--2ST)	85-6	1	
C.4650	Rubber Boot, for Starter Motor and Solenoid Terminals (858266)		3	
UFS.119/4R	Screw, Set, securing Starter Solenoid Switch to Bracket on Dash		2	
C.723/A	Washer, Shakeproof, on Setscrews		2	
BD.25341	BRACKET ASSEMBLY, MOUNTING STARTER SOLENOID SWITCH TO DASH	85-7	1	
UFS.125/4R	Screw, Set, securing Bracket		3	
C.724	Washer, Shakeproof, on Setscrews		3	

ELECTRICAL EQUIPMENT

Part No.	Description	Plate No.	No. per Unit	Remarks
C.8749	IGNITION COIL (45067/F—HA.12)	85—8	1	Fitted from Engine No.
C.5451	Nut, in centre of Coil, for High Tension Lead (408120)	85—9	1	7B.1001 to 7B.10457 3-4 litre
C.5452	Copper Washer, for end of Lead (185015)	85—10	1	7B.50001 to 7B.65019 3-8 litre
C.30120	IGNITION COIL (45212—HA12) (WITH PUSH-IN TYPE CONNECTOR)		1	Fitted to Engine No.
C.30121	Ferrule, for H.T. Cable		1	7B.10458 and subs. 3-4 litre
C.28854	Rubber Sleeve, for H.T. Cable		1	7B.65020 and subs. 3-8 litre
8638	Lucar Connector, for Switch and Contact Breaker Leads		2	
C.8047	BRACKET ASSEMBLY, MOUNTING IGNITION COIL	85—11	1	
C.18525	EXTENSION ASSEMBLY, FOR COIL MOUNTING BRACKET	85—12	1	
C.6558	Stud, in Engine Breather Housing, mounting Extension	85—13	1	
UFN.125/L	Nut, securing Extension on Stud and Coil to Bracket and Extension		3	
C.724	Washer, Shakeproof, under Nuts		3	
FW.104/T	Washer, Plain, under Shakeproof Washers		3	
C.25331	DISTRIBUTOR (41063/A—22.D6)	85—14	1	FOR 7:1 AND 8:1 COMPRESSION RATIO ENGINES
C.11906	Nut, for connection of High Tension Leads (410600)	85—15	7	
C.5452	Copper Washer, for end of Leads (185015)	85—16	7	
6476	Clamping Plate (423605)		1	
6477	Screw, for Clamping Plate (415087)		1	
9930	Cap (54414989)	85—17	1	
6479	Brush and Spring, inside Cap (418856)	85—18	1	
6060	Rotor (418726)	85—19	1	
9931	Contact Set (423153)	85—20	1	
6487	Insulating Bush, for Contact Breaker Lever (419950)		1	
C.11991	Condenser (423871)	85—21	1	
9934	Earth Lead (421088)		1	
9939	Springs, Auto Advance (54415559)		1 set	
10520	Weight, Auto Advance (54413073)		2	
6497	Return Spring, for Vacuum Unit (419086)		1	
9940	Vacuum Unit (54412145)		1	
9938	Oil Seal (188639)		1	
9253	Driving Dog (420620)		1	
C.25287	Waterproof Cover, complete with Terminal, Bush and Lead (54417459)		1	
C.25332	DISTRIBUTOR (41064/A—22.D6)		1	FOR 9:1 COMPRESSION RATIO ENGINES
10207	Springs, Auto Advance (54415560)		1 set	
10208	Vacuum Unit (54411969)		1	

All other items are as for Distributor C.25331

ELECTRICAL EQUIPMENT

Part No.	Description	Plate No.	No. per Unit	Remarks
C.27405	SUPPRESSOR, IN DISTRIBUTOR CAP, RECEIVING NUT ON HIGH TENSION LEADS (78120)		6	} REQUIRED ONLY FOR CARS EXPORTED TO DENMARK
BD.28607	'O' Ring (Rubber) between Suppressor and Cap		6	
C.2607	RUBBER SLEEVE, ON HIGH TENSION LEADS, AT DISTRIBUTOR (414965)	85-22	7	
C.21575	SUCTION PIPE, FOR DISTRIBUTOR VACUUM UNIT	85-23	1	
C.14212	Pipe (Neoprene) connecting Suction Pipe to Front Carburetter	85-24	1	
C.21573	Elbow (P.V.C.) connecting Suction Pipe to Distributor	85-25	1	
C.22458	PETROL PUMP (AUF.301)	85-26	2	
10202	Coil Housing (AUB.6080)	85-27	2	
9100	Rocker and Blade Assembly (AUB.6022)	85-28	2	
1145	Terminal Screw (AUA.1468)		2	
7664	Condenser (AUA.5060)	85-29	2	
7665	Spring Clip, holding Condenser (AUA.5059)	85-30	2	
10203	End Cover (AUB.707)	85-31	2	
10204	Breather Elbow, on End Cover (AUB.702)	85-32	2	
10205	Cap, for Breather (AUB.703)	85-33	2	
10206	Ball, under Cap (AUB.704)	85-34	2	
C.18916	Lucar Blade, for Feed and Earth Cable Connections to Pumps (199279)		4	
10199	Diaphragm Assembly (AUB.6071)	85-35	2	
10201	Roller, for Diaphragm (AUA.1433)	85-36	22	
9320	Spring, for Diaphragm (AUB.521)	85-37	2	
10200	Gasket, under Diaphragm (AUB.706)	85-38	2	
AS.302/4D	Screw, Set, securing Coil Housing and Diaphragm to Valve Housing		12	
10186	Valve Assembly (AUB.6031)	85-39	4	
10188	Filter, for Inlet Valve (AUB.617)	85-40	2	
10767	Sealing Washer, for Valves and Filter (AUB.676)	85-41	6	
10189	Cover, for Valves (AUB.652)	85-42	4	
10190	Plate, retaining Valves (AUB.653)	85-43	2	
10191	Screw, Self-Tapping, securing Plate (AUB.597)		4	
10193	Cover, for end of Valve Housing (AUA.574)	85-44	2	
10192	Cork Gasket, under Cover (AUA.573)	85-45	2	
5803	Screw, securing Cover (AUC.2694)		2	
5648	Washer, Spring, on Screw (AUC.2246)		2	
10194	Dished Washer, under Spring Washer (AUA.575)		2	
10195	Anti-Surge Diaphragm (Nylon) (AUB.696)	85-46	2	
10198	Sealing Washer, under Diaphragm Plate (AUB.675)	85-47	2	
10196	Backing (Rubber) for Anti-Surge Diaphragm (AUB.693)	85-48	2	
10197	'O' Ring, under Diaphragm Cover (AUB.711)	85-49	2	
AS.304/3D	Screw, Set, securing Diaphragm Cover		8	
C.22547	CLIP, AROUND PETROL PUMPS		2	
C.23361	Rubber Packing, inside Clips		2	
UFB.125/10R	Bolt, through Clips		2	
C.8667/1	Nut, Self-Locking, on Bolts		2	

ELECTRICAL EQUIPMENT

Part No.	Description	Plate No.	No. per Unit	Remarks
C.9627	RUBBER MOUNTING, FIXING PETROL PUMP CLIPS TO BODY		4	
UFN.125/L	Nut, securing Clips to Rubber Mountings		4	
FG.104/X	Washer, Spring, under Nuts		4	
FW.104/T	Washer, Plain, under Spring Washers		4	
C.18287	CONTROL BOX (37331A/D—RB.340)	85--50	1	FOR USE WITH DYNAMO C.18286 OR C.16930
8558	Cover (54381342)		1	
8559	Resistance, Swamp (55 ohms) (54380438)		1	
8560	Resistance, Points (40 ohms) (54380673)		1	
C.18489	CONTROL BOX (37354/B—RB.340)		1	FOR USE ONLY WITH DYNAMO C.18488
8558	Cover (54381342)		1	
8559	Resistance, Swamp (55 ohms) (54380438)		1	
8560	Resistance, Points (40 ohms) (54380673)		1	
9974	Resistance, Field (40 ohms) (54381209)		1	
UFS.119/9R	Screw, Set, securing Control Box to L.H. Front Wing Valance		3	
UFN.119/L	Nut, on Setscrews		3	
C.723/A	Washer, Shakeproof, under Nuts		3	
C.22662	COVER, PROTECTING CONTROL BOX CONNECTIONS	85--51	1	
C.16053	FUSE BOX (54038032—4.FJ)	85--52	3	
C.5638	Fuse, 35 amp (188218)		12	
8576	Terminal Screw (120560)		3	
C.21996	FUSE BOX (54038051—4.FJ)	85--53	1	
C.5638	Fuse, 35 amp (188218)		2	
C.13932	Fuse, 50 amp (188219)		2	
8576	Terminal Screw (120560)		1	

ELECTRICAL EQUIPMENT

Part No.	Description	Plate No.	No. per Unit	Remarks
BD.25362	BRACKET ASSEMBLY, MOUNTING FUSE BOXES	85-54	2	
UFS.419/3H	Screw, Set, securing Brackets to Dash		4	
UFN.119/L	Nut, on Setscrews		4	
C.723/A	Washer, Shakeproof, under Nuts		4	
UFS.319/4H	Screw, Set, securing Fuse Boxes to Brackets		4	
C.3377	Washer, Special, on Setscrews		4	
C.22036	INSTRUMENT PANEL ASSEMBLY	86-1	1	
C.22037	Trim (Vulkhide) for Panel		1	
UCN.116/L	Nut, securing Lighting Switch and Voltage Control Unit		4	
BD.541/29	Washer, Special, under Nuts		4	
UFS.419/4H	Screw, Set, securing Cable Clips		3	
C.723/A	Washer, Shakeproof, on Setscrews		3	
C.22033	Fuse Indicator Plate		1	
C.16258	Pivot Screw, for Instrument Panel		2	
C.782	Washer (Fibre) on Pivot Screws		2	
C.16318	Nylon Bush, on Pivot Screws		2	
C.19469	Screw (Knurled) securing Instrument Panel	86-2	2	
BD.5453	Washer (Fibre) on Knurled Screws	86-3	2	
BD.25658	FACIA ASSEMBLY, ON INSTRUMENT PANEL		1	
MJ.206/2R	Woodscrew, securing Facia		6	
BD.25657	RUBBER SEAL, PREVENTING LIGHT FROM INDICATOR STRIP ENTERING CAR	86-4	2	
C.18947	LIGHT FILTER, FOR SWITCH INDICATOR STRIP	86-5	1	
C.22040	CHROME FINISHER, AT TOP OF INDICATOR STRIP	86-6	1	
C.15485	VOLTAGE CONTROL UNIT, AT BACK OF INSTRUMENT PANEL (BR.1300/01)	86-7	1	

ELECTRICAL EQUIPMENT

Part No.	Description	Plate No.	No. per Unit	Remarks
C.15789	LUCAR BLADE, EARTHING INSTRUMENT PANEL (54190038)	86-8	3	
C.22038	INDICATOR STRIP, AT BOTTOM OF INSTRUMENT PANEL, DETAILING SWITCH POSITIONS	86-9	1	R.H. DRIVE CARS ONLY
C.22039	INDICATOR STRIP, AT BOTTOM OF INSTRUMENT PANEL, DETAILING SWITCH POSITIONS		1	L.H. DRIVE CARS ONLY
DZZ.408/6C	Screw, Self-Tapping, securing Indicator Strip		4	
C.15787	Bulb (2 watt Lilliput) illuminating Indicator Strip (281)		3	
C.15454	IGNITION SWITCH (31962/A-S.45)	86-10	1	
9401	Locking Ring (Chrome) (54130301)		1	
BD.10610	Barrel, for Ignition Switch (WB.1/6545)	86-11	1	
C.15667	Adaptor Plate, fixing Ignition Switch (54332197)	86-12	1	
C.18189	ROAD LAMPS SWITCH (34383/A-PRS.7)	86-13	1	} NOT REQUIRED FOR U.S.A.
C.15447	Escutcheon, for Road Lamps Switch (54850095)	86-14	1	
NOTE:- Cars exported to Switzerland are equipped with Switch C.18189 and Escutcheon C.15447 only when Fog Lamps are fitted				
C.18188	ROAD LAMPS SWITCH (34382/A-PRS.7)		1	} FITTED TO ALL CARS EXPORTED TO U.S.A. AND TO CARS FOR SWITZERLAND WHICH ARE NOT EQUIPPED WITH FOG LAMPS
C.15449	Escutcheon, for Road Lamps Switch (54850094)		1	
C.18929	Hollow Bolt, securing Escutcheon (54336441)	86-15	1	
C.15451	Nut, on Bolt (156574)	86-16	1	
C.15928	Washer, under Nut (154604)	86-17	1	
C.27121	RESISTANCE, FOR ROAD LAMPS SWITCH (54334484)		1	
C.15450	LEVER, OPERATING ROAD LAMPS SWITCH (54332270)	86-18	1	

ELECTRICAL EQUIPMENT

Part No.	Description	Plate No.	No. per Unit	Remarks
C.16072	STARTER SWITCH (34263/A-SS.5)	86-19	1	
C.15455	PANEL LAMPS SWITCH (31969/A-57.SA)	86-20	1	
C.15589	HEATER FAN SWITCH (31960/A-57.SA)	86-21	1	
C.15456	WINDSCREEN WIPER SWITCH (31966/A-79.SA)	86-22	1	
C.15759	WINDSCREEN WASHER SWITCH (31984/A-65.SA)	86-23	1	
C.15589	INTERIOR/MAP LAMP SWITCH (31960/A-57.SA)	86-24	1	
C.17191	FUEL CHANGE-OVER SWITCH (34425/A-45.SA)	86-25	1	
C.25680	AMMETER (36321/A-CZU.60)	86-26	1	FOR USE WHEN DYNAMO C.18286 OR C.16930 IS FITTED
8057	Connector (Lucar 'M', Large) (199317)		2	
8058	Connector (Lucar 'M', Small) (199275)		2	
C.25679	AMMETER (36293/B-CZU.60)		1	FOR USE ONLY WHEN DYNAMO C.18488 IS FITTED
	Individual items are as for Ammeter C.20803			
987	Bulb, illuminating Ammeter (987)		1	
C.16897	Bulb Holder (54947338)		1	
C.21972	PETROL GAUGE (BF.2200/06)	86-27	1	
987	Bulb, illuminating Petrol Gauge (987)		1	
C.16897	Bulb Holder (54947338)		1	

ELECTRICAL EQUIPMENT

Part No.	Description	Plate No.	No. per Unit	Remarks
C.18641	OIL PRESSURE GAUGE (PE.2300/02)	86-28	1	
C.15474	Element, for Oil Pressure Gauge (PT.1801/06)	86-29	1	
C.26899	Washer, Copper, for Element		1	
C.15288	Lucar Blade, for cable connection to Gauge and Element (54190107)	86-30	2	
987	Bulb, illuminating Oil Pressure Gauge (987)		1	
C.16897	Bulb Holder (54947338)		1	
C.18640	WATER TEMPERATURE GAUGE (BT.2200/01)	86-31	1	
C.29876	WATER TEMPERATURE GAUGE (BT.2200/06)		1	SUPERSEDES C.18640
C.15472	Element, for Water Temperature Gauge (TT.4801/00)	86-32	1	
C.785	Washer (Fibre) for Element		1	
987	Bulb, illuminating Water Temperature Gauge (987)		1	
C.16897	Bulb Holder (54947338)		1	
C.24163	SPEEDOMETER (SN.6326/30) (CALIBRATED IN MILES)	86-33	1	} FOR USE WITH 3-54:1 FINAL DRIVE RATIO AND 185 x 15 SP.41 TYRES
C.24164	SPEEDOMETER (SN.6326/31) (CALIBRATED IN KILOS)		1	
C.24167	SPEEDOMETER (SN.6326/26) (CALIBRATED IN MILES)		1	} FOR USE WITH 3-77:1 FINAL DRIVE RATIO AND 185 x 15 SP.41 TYRES
C.24168	SPEEDOMETER (SN.6326/27) (CALIBRATED IN KILOS)		1	
C.22016	SPEEDOMETER (SN.6326/15) (CALIBRATED IN MILES)		1	} FOR USE WITH 3-54:1 FINAL DRIVE RATIO AND 6-40 x 15 RS.5 TYRES
C.22018	SPEEDOMETER (SN.6326/17) (CALIBRATED IN KILOS)		1	
C.22010	SPEEDOMETER (SN.6326/09) (CALIBRATED IN MILES)		1	FOR USE WITH 3-77:1 FINAL DRIVE RATIO AND 6-40 x 15 RS.5 TYRES

ELECTRICAL EQUIPMENT

Part No.	Description	Plate No.	No. per Unit	Remarks
C.22012	SPEEDOMETER (SN.6326/11) (CALIBRATED IN KILOS)		1	FOR USE WITH 3.77:1 FINAL DRIVE RATIO AND 6.40 x 15 RS.5 TYRES
987	Bulb, illuminating Speedometer, Ignition and Headlamp Main Beam Warning Lamps (987)		4	
C.16898	Bulb Holder (54360731)		2	
	NOTE:- To ensure that the correct Speedometer is supplied by Jaguar Spares Division IT IS IMPORTANT, WHEN ORDERING to quote the number printed on the dial of the displaced instrument			
	On some specially calibrated instruments the number is printed on the back of the Speedometer Casing			
C.22738	REMOTE CONTROL, OPERATING TRIP MILEAGE RECORDER ON SPEEDOMETER (41/741/162/00/7)	86-34	1	R.H. DRIVE CARS ONLY
8409	Screwed Escutcheon, securing Remote Control at Winding end		1	
C.22663	REMOTE CONTROL, OPERATING TRIP MILEAGE RECORDER ON SPEEDOMETER (41/741/162/01/8)		1	L.H. DRIVE CARS ONLY
8409	Screwed Escutcheon, securing Remote Control at Winding end		1	
C.22639 MJ.206/3R	Bracket, mounting Remote Control Woodscrew, securing Bracket to Facia	86-35	1 2	
C.15929	FLEXIBLE SPEEDOMETER CABLE, COMPLETE (DF.1104/19/66)	86-36	1	R.H. DRIVE CARS ONLY
8241	Inner Cable only (DI.1110/00/66)		1	
8242	Outer Cable only (DO.1104/18/66)		1	
C.15930	FLEXIBLE SPEEDOMETER CABLE, COMPLETE (DF.1104/19/84)		1	L.H. DRIVE CARS ONLY Fitted from Chassis No. 1B.25001 to 1B.25433 3.4 litre 1B.75001 to 1B.77235 3.8 litre
8243	Inner Cable only (DI.1110/00/84)		1	
8244	Outer Cable only (DO.1104/18/84)		1	
C.25249	FLEXIBLE SPEEDOMETER CABLE, COMPLETE (DF.1104/19/Z.90)		1	L.H. DRIVE CARS ONLY Fitted to Chassis No. 1B.25434 and subs. 3.4 litre 1B.77236 and subs. 3.8 litre
11074	Inner Cable only (DI.1110/00/Z.90)		1	
11075	Outer Cable only (DO.1104/18/90)		1	
C.25969	Cable Tie, fixing Speedometer Cable to Heater Pipe		1	L.H. DRIVE CARS ONLY

ELECTRICAL EQUIPMENT

Part No.	Description	Plate No.	No. per Unit	Remarks
9250	REV. COUNTER, LESS CLOCK (RV.7413/05)	86-37	1	
987 C.16898	Bulb, illuminating Rev. Counter (987) Bulb Holder (54360731)		2 2	
9988	ELECTRIC CLOCK ONLY (CE.1111/01)	86-38	1	
C.14996	GENERATOR, FOR ELECTRIC REV. COUNTER (TV.1100/00)	86-39	1	See also Cylinder Head
9993 9994 AS.306/2.5H AG.106/X	Connector Moulding Assembly (LBA.31075-12v.) Gasket, under Moulding (31-754-707) Screw, securing Moulding (30-232-089-11) Washer, Spring, on Setscrews (30-282-010-11)		1 1 2 2	
C.22664	REMOTE CONTROL, FOR ELECTRIC CLOCK (41/741/161/00/6)	86-40	1	
8409	Screwed Escutcheon, securing Remote Control at Winding end		1	
C.22638 MJ.206/3R	Bracket, mounting Remote Control Woodscrew, securing Bracket to Facia	86-41	1 2	
C.18638	CIGAR LIGHTER, COMPLETE (L.15094.12V)	86-42	1	
C.18638/1 C.18638/2 C.18638/3 C.18638/4 C.18638/5	Body only (LBA.31075-12v.) Element (LHA.30882-12v.) Clamping Shell (LU.30669-4) Handle (LEA.30578-1) Chrome Bezel (LH.30843-1)		1 1 1 1 1	
C.15288	Lucar Blade, for Feed Cable connection to Cigar Lighter (54190107)		1	
C.18916	Lucar Blade, earthing Cigar Lighter (199279)		1	
C.16661	WARNING LAMP, FOR HANDBRAKE AND BRAKE FLUID LEVEL (38220/A-WL.3/1)	86-43	1	
987	Bulb (987)		1	
C.19637	Escutcheon, for Warning Lamp ('Handbrake', 'Brake Fluid')	86-44	1	
C.16184 MJ.206/3R C.2607	Bracket, mounting Warning Lamp Woodscrew, securing Bracket to Facia Rubber Sleeve, protecting Terminals	86-45	1 2 1	

ELECTRICAL EQUIPMENT

Part No.	Description	Plate No.	No. per Unit	Remarks
C.12833	SWITCH, OPERATING HANDBRAKE WARNING LAMP (31504/D-12.SA)	86-46	1	See also Handbrake Control
C.19100	WARNING LAMP, FOR SIDELAMPS (38234/A-WL.13)		1	FOR CARS EXPORTED TO ITALY
8826	Shade (319222)		1	
9294	Cover and Window (54360914)		1	
987	Bulb (987)		1	
C.16898	Bulb Holder (54360731)		1	
C.26211	GAUGE ELEMENT UNIT, FOR R.H. PETROL TANK (TBS.5114/001)	86-47	1	} See also Fuel System
C.21974	GAUGE ELEMENT UNIT, FOR L.H. PETROL TANK (TFS.9911/000)	86-48	1	
C.22054	Rubber Seal, between Element Units and Tanks (31/781/538)	86-49	2	
C.22053	Locking Ring, securing Element Units to Tanks (31/634/583/01)	86-50	2	
C.2744	SWITCH, CONTROLLING ELECTRIC CHOKE (35659/A-PS.7)		1	} FITTED TO CARS EXPORTED TO CANADA
2836	Knob, for Switch (314437)		1	
C.29109	CHOKE WARNING LAMP		1	} FITTED TO CARS EXPORTED TO CANADA
3585	Connector, connecting Warning Lamp to Main Harness (900269)		1	
C.30789	Adaptor Harness, for Warning Lamp Switch		1	
C.30622	ESCUTCHEON, FOR CHOKE CONTROL		1	
C.23876	HEADLAMP, COMPLETE (5405254/A)		2	FOR ALL R.H. DRIVE CARS EXCEPT THOSE EXPORTED TO GIBRALTAR
9266	Plate, retaining Sealed Beam Unit (54520549)	87-1	2	
5221	Screw, securing Retaining Rim (186137)	87-2	6	
10763	Sealed Beam Unit (54522480)	87-3	2	
9271	Rim, seating Sealed Beam Unit (54520446)	87-4	2	
9404	Tension Spring, for Seating Plate (54520514)	87-5	2	
9405	Trimmer Screw (54520451)	87-6	4	

ELECTRICAL EQUIPMENT

Part No.	Description	Plate No.	No. per Unit	Remarks
HEADLAMP, COMPLETE (5405254/A) (Cont'd)				
10219	Nut, on Trimmer Screws (54520551)	87-7	4	
10218	Sleeve, on Trimmer Screws (54520550)	87-8	4	
7764	Adaptor (553738)	87-9	2	
9267	Gasket, Headlamp Body (54520505)	87-10	2	
3446	Dust Excluder, behind Headlamp Rim (552906)	87-11	2	
C.21727	HEADLAMP, COMPLETE (54052352—F.700E)		2	FOR R.H. DRIVE CARS EXPORTED TO GIBRALTAR
8680	Light Unit (54520148)		2	
7765	Spring, retaining Bulb (556442)		2	
7763	Bulb (410)		2	
All other items are as for Headlamp C.21724				
C.21730	HEADLAMP, COMPLETE (54052350—F.700)		2	L.H. DRIVE CARS ONLY Refer to list on page 467 for countries affected
9964	Sealed Beam Unit (54520481)		2	
All other items are as for Headlamp C.23876				
3446	Dust Excluder, behind Headlamp Rim (552906)		2	
C.21726	HEADLAMP, COMPLETE (54052351—F.700E)		2	L.H. DRIVE CARS ONLY Refer to list on page 467 for countries affected
7762	Light Unit (556452)		2	
7765	Spring, retaining Bulb (556442)		2	
7763	Bulb (410)		2	
All other items are as for Headlamp C.23876				
C.21729	HEADLAMP, COMPLETE (54052354—F.700EF)		2	L.H. DRIVE CARS ONLY Refer to list on page 467 for countries affected
7762	Light Unit (556452)		2	
7765	Spring, retaining Bulb (556442)		2	
8612	Bulb (411)		2	
All other items are as for Headlamp C.23876				
DAZ.408/10C	Screw, Self-Tapping, securing Headlamps		8	
BD.8536/1	Spire Nut, on Self-Tapping Screws		8	

ELECTRICAL EQUIPMENT

Part No.	Description	Plate No.	No. per Unit	Remarks
C.29976	HEADLAMP, COMPLETE (59408A/B)		2	FOR CARS EXPORTED TO GERMANY
11909	Light Unit (54522909)		2	
7763	Bulb, Main (410)		2	
N.S.S.	Bulb, Pilot		2	
10220	Bulb Holder, Pilot (54573590)		2	
11886	Interior, for Bulb Holder (55378010)		2	
10219	Nut, for Trimmer Screws (54520551)		2	
10218	Housing, for Trimmer Nuts (54520550)		2	

All other items are as for Headlamp C.23876

HEADLAMP APPLICABILITY—L.H. DRIVE CARS ONLY

PART NO.	FOR USE IN
C.21730	Argentina, Brazil, Canada, Chile, Colombia, Cuba, Dominican Republic, Ecuador, Egypt, El Salvador, Ethiopia, Guatemala, Haiti, Hawaii, Iran, Iraq, Israel, Jordan, Lebanon, Mexico, Newfoundland, Nicaragua, Panama, Paraguay, Persian Gulf, Peru, Philippines, Portuguese East Africa, Puerto Rico, Saudi Arabia, Sudan, Syria, Turkey, Uruguay, U.S.A., and Venezuela.
C.21726	Angola, Austria, Belgium, Belgian Congo, Canary Islands, Curacao, Cyrenaica, Denmark, Eritrea, Finland, Greece, Holland, Iceland, Indonesia, Italy, Italian Somaliland, Libya, Luxembourg, Madeira, Majorca, Norway, Portugal, Spain, Spanish Guinea, Sweden, Switzerland, and Vietnam (South)
C.21729	Algeria, France, French Somaliland, French West Africa, Madagascar, Morocco, Reunion (Island of), Tahiti, Tangiers, and Tunisia.
C.29976	Germany

BD.25713	EMBELLISHER RIM, FOR HEADLAMPS (54522233)	87-12	2
C.18179	Spring Clip, securing Rim (54521222)	87-13	4
DJ.610/12S	Screw, Self-Tapping, securing Rim		2
BD.8633/2	Spire Nut, on Self-Tapping Screws		2

ELECTRICAL EQUIPMENT

Part No.	Description	Plate No.	No. per Unit	Remarks
C.22044	HEADLAMP DIPPER SWITCH (34536/AB -103.SA)	87-14	1	
C.22276	Rubber Cap, for Dipper Switch (54339495)	87-15	1	
UFS.319/4H	Screw, Set, securing Dipper Switch to Bracket		2	
C.723/A	Washer, Shakeproof, on Setscrews		2	
C.23379	Bracket Assembly, mounting Dipper Switch	87-16	1	R.H. DRIVE CARS ONLY Fitted from Chassis No. 1B.1001 to 1B.8373 3-4 litre 1B.50001 to 1B.59265 3-8 litre
UFS.119/4R	Screw, Set, securing Bracket to Toeboard		2	
C.723/A	Washer, Shakeproof, on Setscrews		2	
C.4580	Blanking Plate, on Setscrews		1	
C.4578	Gasket, under Blanking Plate		1	
C.27449	Bracket Assembly, mounting Dipper Switch		1	R.H. DRIVE CARS ONLY Fitted to Chassis No. 1B.8374 and subs. 3-4 litre 1B.59266 and subs. 3-8 litre
UFS.119/4R	Screw, Set, securing Bracket to Toeboard		2	
C.723/A	Washer, Shakeproof, on Setscrews		2	
C.22043	Bracket Assembly, mounting Dipper Switch		1	L.H. DRIVE CARS ONLY
UFS.119/4R	Screw, Set, securing Bracket to Toeboard		2	
C.723/A	Washer, Shakeproof, on Setscrews		2	
C.4580	Blanking Plate, sealing redundant hole in R.H. Toeboard Dash		1	
C.4578	Gasket, under Blanking Plate		1	
UFS.119/4R	Screw, Set, securing Blanking Plate		2	
UFN.119/L	Nut, on Setscrews		2	
C.723/A	Washer, Shakeproof, under Nuts		2	
C.21538	SIDELAMP, COMPLETE (54047170-461/1)		2	
9683	Gasket, sealing Lamp (54572661)	87-17	2	
9283	Rim, complete with Glass and Reflector (54572667)	87-18	2	
10220	Bulb Holder (54573590)	87-19	2	
3455	Interior, for Bulb Holder (553780)	87-20	2	
10221	Seating Ring, for Bulb Holder (554354)	87-21	2	
989	Bulb (989)		2	
C.18602	Screw, Long, securing Sidelamps		2	
C.18603	Screw, Short, securing Sidelamps		2	
C.19851	Sleeve, on Screws		4	
BD.33998	Cage Nut, receiving Screws		4	
C.18194	BEZEL, FOR SIDELAMPS (54572869)	87-22	2	
C.21534	R.H. FRONT FLASHER LAMP (52637/B-690)		1	NOT REQUIRED FOR CARS EXPORTED TO FRANCE, FRENCH SOMALILAND, FRENCH WEST AFRICA, HOLLAND, ITALY, ITALIAN SOMALILAND, MADAGASCAR, REUNION (ISLAND OF), TAHITI, OR U.S.A.
9255	Lens (Amber) (54572518)	87-23	1	
9256	Screw, securing Lens (54100481)	87-24	1	
9257	Gasket, seating Lens (54572283)	87-25	1	
6538	Interior, Bulb Holder (573832)	87-26	1	
C.9126	Bulb (382)		1	
9258	Gasket, seating Lamp (54572522)	87-27	1	
9259	Body (54572519)	87-28	1	

ELECTRICAL EQUIPMENT

Part No.	Description	Plate No.	No. per Unit	Remarks
C.21535	L.H. FRONT FLASHER LAMP (52638/B-690)		1	} NOT REQUIRED FOR CARS EXPORTED TO FRANCE, FRENCH SOMALILAND, FRENCH WEST AFRICA, HOLLAND, ITALY, ITALIAN SOMALILAND, MADAGASCAR, REUNION (ISLAND OF), TAHITI, OR U.S.A.
9260	Lens (Amber) (54572282)		1	
11619	Gasket, seating Lens (54577090)		1	
10210	Gasket, seating Lamp (54572284)		1	
9261	Body (54572285)		1	
	All other items are as for R.H. Front Flasher Lamp C.21534			
C.21536	R.H. FRONT FLASHER LAMP (52639/B-690)		1	} REQUIRED FOR CARS EXPORTED TO FRANCE, FRENCH SOMALILAND, FRENCH WEST AFRICA, HOLLAND, ITALY, ITALIAN SOMALILAND, MADAGASCAR, REUNION (ISLAND OF), TAHITI, OR U.S.A.
9262	Lens (Clear) (54572657)		1	
	All other items are as for R.H. Front Flasher Lamp C.21534			
C.21537	L.H. FRONT FLASHER LAMP (52640/B-690)		1	} REQUIRED FOR CARS EXPORTED TO FRANCE, FRENCH SOMALILAND, FRENCH WEST AFRICA, HOLLAND, ITALY, ITALIAN SOMALILAND, MADAGASCAR, REUNION (ISLAND OF), TAHITI, OR U.S.A.
9263	Lens (Clear) (54572656)		1	
11619	Gasket, seating Lens (54577090)		1	
10210	Gasket, seating Lamp (54572284)		1	
9261	Body (54572285)		1	
	All other items are as for R.H. Front Flasher Lamp C.21534			
C.19475	Strap, front, fixing R.H. Front Flasher Lamp	87-29	1	
C.19473	Strap, rear, fixing R.H. Front Flasher Lamp	87-30	1	
C.19474	Strap, front, fixing L.H. Front Flasher Lamp		1	
C.19658	Strap, rear, fixing L.H. Front Flasher Lamp		1	
UFN.119/L	Nut, securing Front Flasher Lamps		6	
C.723/A	Washer, Shakeproof, under Nuts		6	
C.21795	Rubber Sleeve (1/8" long) between Front Straps and Lamps (54574592)	87-31	4	
C.21796	Rubber Sleeve (1/16" long) between Rear Straps and Lamps (54574593)	87-32	2	
C.26059	R.H. STOP/TAIL/FLASHER LAMP (RED/ AMBER) (53935/D-687)		1	NOT REQUIRED FOR CARS EXPORTED TO U.S.A.
9285	Lens, Flasher (54573423)	87-33	1	
9287	Lens, Stop/Tail (54571778)	87-34	1	
9284	Shield, dividing Flasher Lens from Stop/Tail Lens (54572171)	87-35	1	
9288	Gasket, seating Lens (54571780 or 54574925)	87-36	1	
9289	Bulb Holder, Flasher (556284)	87-37	1	} NOTE: THESE ITEMS MUST BE FITTED AS A PAIR
C.4653	Interior, Flasher Bulb Holder (552103)	87-38	1	
6538	Interior, Flasher Bulb Holder (573832)		1	NOTE: This item must be fitted when the Interior only requires replacement
C.9126	Bulb, Flasher (382)		1	
9290	Bulb Holder, Stop/Tail (555384)	87-39	1	} NOTE: THESE ITEMS MUST BE FITTED AS A PAIR
3427	Interior, Stop/Tail Bulb Holder (552101)	87-40	1	
5311	Interior, Stop/Tail Bulb Holder (573828)		1	NOTE: This item must be fitted when the Interior only requires replacement

ELECTRICAL EQUIPMENT

Part No.	Description	Plate No.	No. per Unit	Remarks
R.H. STOP/TAIL/FLASHER LAMP (RED/AMBER) (53935/D-687) (Cont'd)				
C.9125	Bulb, Stop/Tail (380)		1	
9291	Reflex Reflector (54572035)	87-41	1	
8621	Washer, seating Reflex Holder (54572032)	87-42	1	
9357	Base (54573565)	87-43	1	
9292	Gasket, seating Lamp (54571781)	87-44	1	
L.H. STOP/TAIL/FLASHER LAMP (RED/AMBER) (53934B/D-687)				
C.26060			1	NOT REQUIRED FOR CARS EXPORTED TO U.S.A.
9356	Base (54573564)		1	
All other items are as for R.H. Stop/Tail/Flasher Lamp C.26059				
R.H. STOP/TAIL/FLASHER LAMP (RED/RED) (53937B/D-687)				
C.26061			1	FITTED TO CARS EXPORTED TO U.S.A.
9293	Lens, Flasher (54571777)		1	
All other items are as for R.H. Stop/Tail/Flasher Lamp C.26059				
L.H. STOP/TAIL/FLASHER LAMP (RED/RED) (53936B/D-687)				
C.17187			1	FITTED TO CARS EXPORTED TO U.S.A.
9293	Lens, Flasher (54571777)		1	
9356	Base (54573564)		1	
All other items are as for R.H. Stop/Tail/Flasher Lamp C.26059				
UFN.125/L	Nut, securing Stop/Tail/Flasher Lamps		6	
C.724	Washer, Shakeproof, under Nuts		6	
C.16062	SWITCH, OPERATING STOP LAMPS (31802/D-HL.2)	87-45	1	

ELECTRICAL EQUIPMENT

Part No.	Description	Plate No.	No. per Unit	Remarks
C.16729	FLASHER UNIT (35020/A-FL.5)	87-46	1	
UFN.125/L C.724	Nut, securing Flasher Unit Washer, Shakeproof, under Nut		1 1	
C.17188	NUMBER PLATE ILLUMINATION AND REVERSE LAMP (53943A/B-689)		1	NOT REQUIRED FOR CARS EXPORTED TO ALGERIA, FRANCE, FRENCH SOMALILAND, FRENCH WEST AFRICA, MADAGASCAR, MOROCCO, REUNION (ISLAND OF), TAHITI, OR TUNISIA When Bulb Holder is required, use also Interior C.4653 This item must be fitted when the Interior only requires replacement
9272	Housing (Chromium Plated) (54572564)	87-47	1	
9273	Lens, R.H. (54572340)	87-48	1	
9274	Lens, L.H. (54572341)	87-49	1	
9275	Gasket, seating Lens (54572460)	87-50	2	
9289	Bulb Holder, Reverse (556284)	87-51	2	
C.4653	Interior, Reverse Bulb Holder (552103)		2	
6538	Interior, Reverse Bulb Holder (573832)		2	
C.9126	Bulb, for Reverse Lamp (382)		2	
9277	Bulb Holder, Number Plate Illumination (54572554)	87-52	2	
3455	Interior, Number Plate Bulb Holder (553780)		2	
989	Bulb, Number Plate Illumination (989)		2	
9278	Gasket, R.H., seating Lamp (54572618)	87-53	1	
9279	Gasket, L.H., seating Lamp (54572682)	87-54	1	
NOTE:- Gaskets 9278 and 9279 are supplied in Pairs only, to Part No. 9278/9 (54573799)				
C.17189	NUMBER PLATE ILLUMINATION AND REVERSE LAMP (53944A/B-689)		1	FITTED TO CARS EXPORTED TO ALGERIA, FRANCE, FRENCH SOMALILAND, FRENCH WEST AFRICA, MADAGASCAR, MOROCCO, REUNION (ISLAND OF), TAHITI, OR TUNISIA
9280	Lens, R.H. (54572698)		1	
9281	Lens, L.H. (54572699)		1	
All other items are as for Lamp C.17188				
UFN.125/L C.724	Nut, securing Number Plate Illumination Lamp Washer, Shakeproof, under Nuts		4 4	
C.1083	SWITCH, IN GEARBOX TOP COVER, OPERATING REVERSE LAMP (31542-SS.10/1)	87-55	1	See also Gearbox
C.4531	Gasket, for Switch (163682)	87-56	1	

ELECTRICAL EQUIPMENT

Part No.	Description	Plate No.	No. per Unit	Remarks
C.18117	CUBBY BOX LAMP (56078/E-681)	87-57	1	
8851	Lens (54572189)		1	
7880	Bulb (12v. 6w. Festoon) (254)		1	
C.27708	Bracket, mounting Cubby Box Lamp		1	
C.18120	Insulator, for Cubby Box Lamp		1	
DAZ.404/4C	Screw, Self-Tapping, securing Lamp and Insulator to Bracket		2	
BD.1814/1	Pop Rivet, securing Bracket to Cubby Box		4	
C.18118	Switch, operating Cubby Box Lamp (34379/B-54.SA)	87-58	1	
C.15288	Lucar Blade, for cable connection to Switch (54190107)		1	
C.19853	Bracket, mounting Switch to Facia		1	
MJ.206/3R	Woodscrew, securing Bracket		2	
C.19008	Earth Strip, for Switch		1	
C.19009	Sleeve (P.V.C.) on Earth Strip		1	
MJ.204/3R	Woodscrew, securing Earth Strip		1	
C.22255	HORN (LOW NOTE) (54068078-9H)	87-59	1	
10209	Bracket, on Horn (54680686)		1	
C.22254	HORN (HIGH NOTE) (54068079-9H)	87-60	1	
10209	Bracket, on Horn (54680686)		1	
C.23835	Bracket Assembly, mounting R.H. Horn	87-61	1	
C.23834	Bracket Assembly, mounting L.H. Horn		1	
UFS.125/5R	Screw, Set, securing Horns to Brackets		8	
C.8667/1	Nut, Self-Locking, on Setscrews, and securing Brackets to Front Suspension Cross Member		8	
C.23522	Earth Lead, for Horns		2	Fitted to Chassis No. 1B.1002 and subs. } 3-4 litre 1B.25002 and subs. } 1B.50141 and subs. } 3-8 litre 1B.75029 and subs. }
C.25508	Cable, Horn Link Connector		1	Fitted to Chassis No. 1B.3605 and subs. } 3-4 litre 1B.25516 and subs. } 1B.53950 and subs. } 3-8 litre 1B.77613 and subs. }
C.26654	HORN MUTE (RUBBER) IN HORN TRUMPET (54682523)		2	FITTED ONLY TO CARS EXPORTED TO HOLLAND
C.17338	HORN RELAY (33209/B-6.RA)	87-62	1	
UFS.419/4H	Screw, Set, securing Horn Relay to R.H. Front Wing Valance		2	
UFN.119/L	Nut, on Setscrews		2	
C.723/A	Washer, Shakeproof, under Nuts		2	

ELECTRICAL EQUIPMENT

Part No.	Description	Plate No.	No. per Unit	Remarks
C.18979	STEERING COLUMN HORN RING (33585/B-CC.2)	87-63	1	
9021	Spring, for Horn Ring (54300943)		3	
C.18177	Ring, with Upper Contact (54300725)		1	
C.20530	Screw, securing Horn Ring (132504)		3	
C.20531	Washer, on Screws (185007)		3	
C.22275	HORN RING COVER ASSEMBLY (54300844/B)		1	
C.22271	Cover only (54300845/A)	87-64	1	
C.22272	Horn Push (54301250)	87-65	1	
C.22273	Return Spring, for Horn Push (54301259)	87-66	1	
C.22274	Contact Plate, in Horn Push (54301256)		1	
UCS.416/9R	Screw, Set, securing Horn Ring Cover to Steering Wheel		4	
C.722	Washer, Shakeproof, on Setscrews		4	
C.16176	CARRIER ASSEMBLY, FOR CABLE TO HORN RING		1	
MJ.206/3R	Woodscrew, securing Carrier to Facia Board		2	
C.25257	DIRECTION INDICATOR/HEADLAMP FLASHER SWITCH (34803/A-85.SA)	87-67	1	Fitted from Chassis No. 1B.1001 to 1B.6091 } 3-4 litre 1B.25001 to 1B.25787 } 1B.50001 to 1B.56871 } 3-8 litre 1B.75001 to 1B.78908 } See also Steering Column
10484	Spring (Nylon) operating Self-Cancelling Device (54320721)		1	
10485	Pivot Pin, for Operating Arm (54336527)		1	
C.25555	DIRECTION INDICATOR/HEADLAMP FLASHER SWITCH (355321/B-131.SA)		1	Fitted to Chassis No. 1B.6092 and subs. } 3-4 litre 1B.25788 and subs. } 1B.56878 and subs. } 3-8 litre 1B.78909 and subs. } See also Steering Column
11316	Striker Ring (Nylon) (54322277)		1	
C.25668	Insulating Strip, for Direction Indicator Switch		1	
BD.22686	Stud (Nylon) securing Insulating Strip to Upper Steering Column		2	
				Fitted to Chassis No. 1B.3366 and subs. } 3-4 litre 1B.25490 and subs. } 1B.53667 and subs. } 3-8 litre 1B.77497 and subs. }

ELECTRICAL EQUIPMENT

Part No.	Description	Plate No.	No. per Unit	Remarks
C.16792	UPPER SWITCH COVER ASSEMBLY, AT CENTRE OF STEERING WHEEL (54360623)	87-68	1	
C.15792	Indicator Light Unit (54360413)		1	
C.15927	'Jaguar' Motif (54360367)		1	
C.15787	Bulb (2 watt Lilliput)		3	
8411	Bulb Holder, complete with Cables (54945043)		1	
8092	Rubber Pad (54360531)		1	
C.20794	LOWER SWITCH COVER, AT CENTRE OF STEERING WHEEL (54360624)	87-69	1	
BD.13713/2	Screw, Set, securing Lower Switch Cover to Upper Steering Column		3	
C.16460	Screw, Set, clamping Upper and Lower Switch Covers together		2	
C.15830	Washer, Special, on Setscrews		5	
C.21731	FOG LAMP (55285/A-WFT.6)		2	
10211	Rim (54522257)	87-70	2	} NOT REQUIRED FOR CARS EXPORTED TO ALGERIA, FRANCE, FRENCH SOMALILAND, FRENCH WEST AFRICA, MADAGASCAR, MOROCCO, REUNION (ISLAND OF), SWITZERLAND, TAHITI, TUNISIA, OR U.S.A.
10212	Screw, securing Rim (54111311)	87-71	2	
8977	Washer, retaining Screws (154324)	87-72	2	
10214	Sealed Beam Unit (54522163)	87-73	2	
10213	Wire Clip, retaining Sealed Beam Unit (524911)	87-74	10	
10215	Terminal Plate (54522193)	87-75	4	
8064	Terminal Sleeve (555910)		4	
8069	Rubber Washer, seating Lamp (534722)	87-76	2	
8068	Plate, fixing Lamp (534732)	87-77	2	
10216	Nut, securing Lamp (181261)	87-78	4	
9365	Washer, Spring, under Nuts (185085)	87-79	2	
8065	Grommet, for cable entry (572363)	87-80	2	
C.21732	FOG LAMP (55286/B-WFT.6)		2	} FITTED TO CARS EXPORTED TO ALGERIA, FRANCE, FRENCH SOMALILAND, FRENCH WEST AFRICA, MADAGASCAR, MOROCCO, REUNION (ISLAND OF), TAHITI, OR TUNISIA
10340	Rim (54522403)		2	
10341	Wires, fixing Light Unit (552747)		10	
8074	Light Unit (Yellow Lens) (54520625)		2	
323	Bulb (323)		2	
	All other items are as for Fog Lamp C.21731			
BD.26050	GRILLE ASSEMBLY, IN FOG LAMP RECESSES		2	} FOR CARS EXPORTED TO SWITZERLAND OR U.S.A.
BD.26355	Packing Piece, behind Grilles		2	
BD.26354	Bracket, fixing Grilles at bottom		2	
BD.1814/6	Pop Rivet, securing Brackets to Front Wing		4	
DJ.610/8S	Screw, Self-Tapping, securing Grilles at top		2	
DZ.406/6S	Screw, Self-Tapping, securing Grilles at bottom		2	
BD.26353	Washer Plate, at bottom fixings		2	

ELECTRICAL EQUIPMENT

Part No.	Description	Plate No.	No. per Unit	Remarks
C.15486	MAP LAMP (54057144)	87-81	1	
989	Bulb (989)		1	
MJ.204/3R	Woodscrew, securing Map Lamp		2	
10223	WINDSCREEN WIPER MOTOR ASSEMBLY (75361B/E-DR.3)	87-82	1	R.H. DRIVE CARS ONLY
7187	Brush Gear (743171)		2	
3509	Brushes (729367)		1 set	
6551	Spring, for Brush (735631)		2	
7188	Cover, End Terminals (743924)		1	
7189	Armature (743929)		1	
10225	Coil (54713957)		1	
10227	Shaft and Gear (748796)		1	
10226	Connecting Rod (748776)		1	
7192	Limit Switch (743846)		1	
7193	Rack and Cross Head (744257)		1	
7525	Stud, fixing Motor (743176)		1 set	
10224	WINDSCREEN WIPER MOTOR ASSEMBLY (75374/B/E-DR.3)		1	L.H. DRIVE CARS ONLY
	Individual items are as for Motor Assembly 10223			
C.21964	WHEELBOX ASSEMBLY, FOR WINDSCREEN WIPERS (72848)	87-83	2	
10228	Spindle and Gear (54713660)		2	
7767	Front Bush (Chromium Plated) (743889)		2	
7769	Rubber Washer, under Front Bush (740925)		2	
7768	Rear Bush (743890)		2	
10229	Nut, fixing Wheelbox (54130691)		2	
C.24106	Insulator (Fibre) on Windscreen Wiper Wheelbox		2	Fitted to Chassis No. 1B.1002 and subs. } 3-4 litre 1B.25004 and subs. } 1B.50266 and subs. } 3-8 litre 1B.75050 and subs. }
C.21963	OUTER CASING, FROM WINDSCREEN WIPER MOTOR TO WHEELBOX (54716144)	87-84	1	
C.5574	Grommet, in Dash, for Outer Casing		1	
C.8800	OUTER CASING, FROM WHEELBOX TO WHEELBOX (743819)	87-85	1	

ELECTRICAL EQUIPMENT

Part No.	Description	Plate No.	No. per Unit	Remarks
C.5450	OUTER CASING, FOR WHEELBOX EXTENSION (740746)	87-86	1	
10230	ARM, FOR WINDSCREEN WIPER (54711445)	87-87	2	R.H. DRIVE CARS ONLY
10231	ARM, FOR WINDSCREEN WIPER (54711446)		2	L.H. DRIVE CARS ONLY
10232	BLADE, FOR WINDSCREEN WIPER ARMS (54712820)	87-88	2	
C.22304	INTERIOR LAMP (6352)	87-89	3	
10184	Lens, Shield and Plinth Assembly (03737)		3	
10185	Base Assembly (03738)		3	
7880	Bulb (12v. 6w. Festoon) (254)		3	
DZC.404/6C	Screw, Self-Tapping, securing Interior Lamps at top of 'B/C' Posts		4	
DJJ.504/8C	Screw, Self-Tapping, securing Rear Interior Lamp		2	
BD.8633/9	Spire Nut, on Self-Tapping Screws		2	
C.9653	SWITCH, IN 'A' AND 'C' POSTS, OPERATING INTERIOR LAMPS FROM DOORS (535122)	87-90	4	
C.13633	Washer, for Switches		4	
C.20697	INTERIOR MIRROR (62577/A-608)	87-91	1	
C.20697/1	Base, for Interior Mirror		1	
C.16407/2	Head, for Interior Mirror		1	
BD.13642/2	Screw, Set, securing Interior Mirror to Windscreen Header Rail		3	

ELECTRICAL EQUIPMENT

Part No.	Description	Plate No.	No. per Unit	Remarks
C.18778	BOOT LAMP (INCORPORATING MERCURY SWITCH) (54121/A-519)	87-92	1	
DZC.406/6C BD.21134	Screw, Self-Tapping, securing Boot Lamp Captive Nut, receiving Screws		2 2	
C.2666	TWO-PIN PLUG AND SOCKET (38604/A)	87-93	1	
UCS.411/8H UCN.111/L C.720	Screw, Set, securing Socket to L.H. Front Wing Valance Nut, on Setscrews Washer, Shakeproof, under Nuts		2 2 2	
C.27001	BATTERY (54027449-S.9)	87-94	1	
C.10192	Felt, 5" x 11", between Battery and Dash		1	
C.26782	BATTERY TRAY	87-95	1	
C.10640/1 C.1040/17 DZZ.408/6C	Drain Tube, for Battery Tray (27" long) Clip, securing Drain Tube Screw, Self-Tapping, securing Clips		1 2 2	
C.14346	BATTERY COVER ASSEMBLY	87-96	1	NOT REQUIRED WHEN C.27001 IS FITTED
7760	REPLACEMENT KIT, FOR BATTERY COVER FIXINGS (Comprising: 2 each Clips, Pivot Pins and Circlips)		1	
C.10186	STRAP, ACROSS FRONT OF BATTERY	87-97	1	
C.10188/1	Rubber Pad, between Strap and Battery (21" long)	87-98	1	

ELECTRICAL EQUIPMENT

Part No.	Description	Plate No.	No. per Unit	Remarks
C.10187	ROD ASSEMBLY, THROUGH STRAP, SECURING BATTERY	87-99	2	
FG.204/X	Washer, Spring, on Rod		2	
C.2778	BATTERY CABLE (POSITIVE TO EARTH) (810709)		1	
UFS.137/4R	Screw, Set, securing Battery Cable to Dash		1	
C.726	Washer, Shakeproof, on Setscrew		2	
FW.106/T	Washer, Plain, on Setscrew		1	
UFN.137/L	Nut, on Setscrew		1	
C.22345	BATTERY CABLE (NEGATIVE) (810809)		1	
C.2609	Screw, securing Cables to Battery Posts (186111)		2	
6826	Screw (Oversize) securing Cables to Battery Posts (186114)		2	REQUIRED ONLY WHEN HOLE IN BATTERY POST IS ENLARGED
C.12702	CABLE, FROM SOLENOID TO STARTER MOTOR (54933201)		1	
C.22066	FORWARD HARNESS (54934736)		1	R.H. DRIVE CARS ONLY Fitted from Chassis No. 1B.1001 to 1B.3604 3-4 litre 1B.50001 to 1B.53949 3-8 litre
C.22067	FORWARD HARNESS (54934848)		1	L.H. DRIVE CARS ONLY Fitted from Chassis No. 1B.25001 to 1B.25514 3-4 litre 1B.75001 to 1B.77612 3-8 litre
C.25603	FORWARD HARNESS		1	R.H. DRIVE CARS ONLY Fitted to Chassis No. 1B.3605 and subs. 3-4 litre 1B.53950 and subs. 3-8 litre
C.25604	FORWARD HARNESS		1	L.H. DRIVE CARS ONLY Fitted to Chassis No.
C.2796	Bracket, retaining Forward Harness Connectors to Front Wing Valances		2	1B.25515 and subs. 3-4 litre 1B.77613 and subs. 3-8 litre
UCS.313/4R	Screw, Set, securing Brackets		4	
UCN.113/L	Nut, on Setscrews		4	
C.721	Washer, Shakeproof, under Nuts		4	

ELECTRICAL EQUIPMENT

Part No.	Description	Plate No.	No. per Unit	Remarks
C.22074	PANEL HARNESS (54934741)		1	R.H. DRIVE CARS ONLY
C.22075	PANEL HARNESS (54934849)		1	L.H. DRIVE CARS ONLY
C.22069	R.H. BODY HARNESS (54934738)		1	
C.22070	L.H. BODY HARNESS (54934739)		1	
C.10092	GEARBOX HARNESS (828209)		1	
C.26344	CONTROL PANEL ASSEMBLY, FOR HAZARD WARNING DEVICE (30270)		1	
11471	Flasher Unit (54362147)		1	<div style="display: flex; align-items: center;"> <div style="font-size: 3em; margin-right: 10px;">}</div> <div> <p>REQUIRED ONLY FOR CARS EXPORTED TO U.S.A. Fitted to Chassis No. 1B.25773 and subs. 3-4 litre 1B.78817 and subs. 3-8 litre</p> </div> </div>
11215	Switch (35646/A-45.SA)		1	
11216	Warning Lamp Assembly (38726/A-WL.13)		1	
11217	Bulb Holder (863511)		1	
987	Bulb (987)		1	
DAC.410/8C	Screw, Self-Tapping, securing Central Panel to Mounting Bracket behind L.H. Facia		2	
BD.8633/6	Spire Nut, receiving Self-Tapping Screws		2	
C.27599	Cover, around Hazard Warning Control Panel		1	
C.26349	Mounting Bracket, behind L.H. Facia		1	
MJ.206/4R	Woodscrew, securing Mounting Bracket to L.H. Facia		2	
C.26347	HARNESS, FOR CONNECTION OF HAZARD WARNING DEVICE (54939672)		1	
3570	Snap Connector (850641)		2	

ELECTRICAL EQUIPMENT

Part No.	Description	Plate No.	No. per Unit	Remarks
ELECTRICAL CABLES				
C.22068	Cable, Panel Connector (54934737)		1	Fitted from Chassis No. 1B.1001 to 1B.3604 } 3-4 litre 1B.25001 to 1B.25515 } 1B.50001 to 1B.53949 } 3-8 litre 1B.75001 to 1B.77612 }
C.25605	Cable, Panel Connector		1	Fitted to Chassis No.
C.16917	Cable, Rev. Counter and Speedometer Lamp Connector		1	1B.3605 and subs. } 3-4 litre 1B.25516 and subs. } 1B.53950 and subs. } 3-8 litre 1B.77613 and subs. }
C.16917	Cable, Rev. Counter and Speedometer Lamp Connector (54947491)		1	
C.16004	Cable, Front Door Switch Connector (54944716)		2	
C.15652	Cable, Centre Pillar Interior Lamp Connector (54944609)		2	
C.22461	Cable, Sidelamp Warning Lamp Connector (54934744)		1	FOR CARS EXPORTED TO ITALY
C.21141	Cable, Starter Switch Connector (54933183)		1	
C.17770	Cable, Cubby Box Lamp Connector (54948226)		1	
C.18650	Cable, Number Plate Lamp Connector (54930720)		1	
C.22944	Cable, L.H. Petrol Tank Gauge Unit Connector (54934809)		1	
C.22945	Cable, R.H. Petrol Tank Gauge Unit Connector (54934810)		1	
C.25508	Cable, Horn Link		1	

CABLE SLEEVES

C.22289	Sleeve, for Headlamp Cables (54934565)		2	
C.22302	Sleeve, for Sidelamp Cables (54934566)		2	
C.22303	Sleeve, for Front Flasher Lamp Cables (54934567)		2	
C.2607	Sleeve, for Cables to Handbrake Warning Lamp		1	

EARTH CONNECTIONS AND FIXINGS

C.19401	Earth Cable, from Engine to Body (54930710)		1	
UFS.131/5R	Screw, Set, securing Earth Cable		1	
UFN.131/L	Nut, on Setscrew		1	
C.725	Washer, Shakeproof, under Nut		1	
C.16179	Earth Cable, for Handbrake Warning Lamp Switch (54945031)		1	
C.23522	Earth Cable, for Horns		2	
C.22637	Earth Cable, for Instruments (54934586)		1	
C.18699	Earth Cable, for Cigar Lighter (54949514)		1	
C.15789	Lucar Blade, earthing Instrument Panel (54190038)		3	
C.18916	Lucar Blade, earthing Cigar Lighter (199279)		1	
C.19008	Earth Strip, for Cubby Box Lamp Switch		1	
C.19009	Sleeve (P.V.C.) on Earth Strip		1	
MJ.204/3R	WoodscREW, securing Earth Strip		1	
C.5204	Earth Terminal (860019/A)		4	
UFS.119/4R	Screw, Set, securing Windscreen Wiper Motor and Petrol Pump Earth Connections		3	
UFS.419/3H	Screw, Set, securing Heater Motor Earth Connection		1	
AW.102/T	Washer, Plain, on Setscrews, at Petrol Pump Earth		2	
UFN.119/L	Nut, on Setscrews		4	
C.723/A	Washer, Shakeproof, under Nuts		4	

ELECTRICAL EQUIPMENT

Part No.	Description	Plate No.	No. per Unit	Remarks	
RUBBER GROMMETS					
C.974	Grommet, for Harness at Centre Pillars (858062)		2		
C.975	Grommet, for Harness at Centre Pillars (54190324)		2		
C.975	Grommet, for Steering Column Lock (54190324)		1	REQUIRED ONLY WHEN STEERING COLUMN LOCK IS FITTED	
C.976	Grommet, for Body Harness in Boot (858064)		4		
C.1426	Grommet, for Forward Harness (858066)		1		
C.2706	Grommet, for Screen Washer Tube, Speedometer Cable, Bonnet Lock Control, and Windscreen Wiper Cable at Bulkhead, for Brake Pipes, Door Lamp Switches, for Petrol Tank and Number Plate Lamp Harnesses (859059)		13		
C.2707	Grommet, in Sills (for Harness), and Boot Floor (859060)		3		
C.2708	Grommet, in Front Wing Valances, for Lamp Cables (859061)		2		
C.2850	Grommet, for Heater Control Cables at Bulkhead (859341)		2		
C.2869	Grommet, for Instrument Panel Connector		2		
C.5574	Grommet, in Dash, for Windscreen Wiper Motor Casing (740811)		1		
C.15749	Grommet, in Sills, for Body Harness (54944431)		4		
C.17432	Grommet, for Petrol Pipes (863123)		2		
C.23035	Grommet, in Petrol Tank Gauge Unit Cover Plate (859462)		2		
RUBBER PLUGS AND BOOTS					
C.5648	Rubber Plug, sealing holes in Bulkhead		5		
BD.14621	Rubber Plug, sealing Choke Control Hole in Bulkhead		1		
BD.14771	Rubber Plug, sealing Speedometer Cable Hole in Bulkhead		1		
BD.14771	Rubber Plug, in Door Sills		2	Fitted from Chassis No. 1B.1001 to 1B.1089 } 3-4 litre 1B.25001 to 1B.25029 } 1B.50001 to 1B.50524 } 3-8 litre 1B.75001 to 1B.75116 }	
C.4650	Rubber Boot, for Starter Motor and Solenoid Terminals (858266)		3		
CLIPS					
C.1040/1	Clip, securing Starter Solenoid Cables to Bulkhead and Pedal Box, and Panel Harness to Dash (187079)		3		
C.1040/2	Clip, securing Radiator Overflow Pipe (R.H. lower fixing) (187081)		1		
C.1040/3	Clip, securing Panel Harness, Forward Harness to Bulkhead, and Power Steering Hose to Cross Member (187051)		4		
C.1040/4	Clip, securing Forward Harness (Inner Dash) (187085)		2		
C.1040/5	Clip, securing Forward and Panel Harnesses (187044)		3		
C.1040/6	Clip, securing Petrol Pipes (187004)		6		
C.1040/8	Clip, securing Gearbox Harness to Gearbox and Housing, and Number Plate Lamp Harness to Boot Lid (187047)		4		
C.1040/9	Clip, securing Speedometer Cable, Dipswitch Cable, and Oil Pressure and Water Temperature Gauge Cables (187052)		See remarks	3 FOR R.H. DRIVE CARS 1 FOR L.H. DRIVE CARS	
C.1040/12	Clip, securing Coil Cable, Handbrake Cable, Petrol Pipe, and Heater Vacuum Pipe (187042)		5		
C.1040/16	Clip, securing Forward Harness to Dash and Front Wing Valance, and Power Steering Hose to Cross Member (187005)		4		

ELECTRICAL EQUIPMENT

Part No.	Description	Plate No.	No. per Unit	Remarks
CLIPS (Cont'd)				
C.1040/17	Clip, securing Forward Harness at Bulkhead and Battery Tray Drain Tube (187048)		1	
C.1040/22	Clip, securing Brake Pipes to Rear Suspension Cross Member		2	
C.1040/24	Clip, securing Brake Pipe to Side Member		1	
C.1040/26	Clip, securing Air Intake Drain Tubes		1	
C.1040/27	Clip, securing Gearbox Harness (900400)		1	
C.1040/29	Clip, securing Brake Pipes to Wing Valances		8	
C.1040/31	Clip, securing Power Steering Hose (187003)		1	L.H. DRIVE CARS ONLY
C.1071/3	Clip, securing Front Lamp Cables (850885)		4	
C.1543/7	Clip, securing Speedometer Cable		2	
C.16394	Clip, securing Harness at Centre Pillars		8	
C.24469	Clip, securing Speedometer Cable		3	
CLIP FIXINGS				
UFS.419/4H	Screw, Set, securing Speedometer Cable and Harness Clips		6	
UFS.419/6H	Screw, Set, securing Harness Clips at Inner Dash		2	
UFN.119/L	Nut, on Setscrews		4	
C.723/A	Washer, Shakeproof, on Setscrews and under Nuts		8	
BD.5818	Distance Piece, at clip fixings to Inner Dash		2	
DZZ.408/6C	Screw, Self-Tapping, securing Clips		13	
UFS.131/4R	Screw, Set, securing Speedometer Cable Clips		2	
UFN.125/L	Nut, securing Speedometer Cable Clips		2	
BD.14399/1	Screw, securing Harness Clips behind Instrument Panel		3	
CABLE STRAPPING (12" LONG)				
C.17001			1	
C.17002	Stud, for Cable Strapping		2	
INSULATORS AND SLEEVES				
C.4877/2	Rubber Insulator (8" long)		1	R.H. DRIVE CARS ONLY
C.4877/3	Rubber Insulator (2½" long)		2	
C.4877/4	Rubber Insulator (6" long)		3	
C.16212	Sleeve (P.V.C.) for Wiring Tags (1¾" long)		23	
C.16864	Sleeve (P.V.C.) for Wiring Tags (¾" long)		12	
C.17077	Sleeve (P.V.C.) for Wiring Tags (1" long)		10	

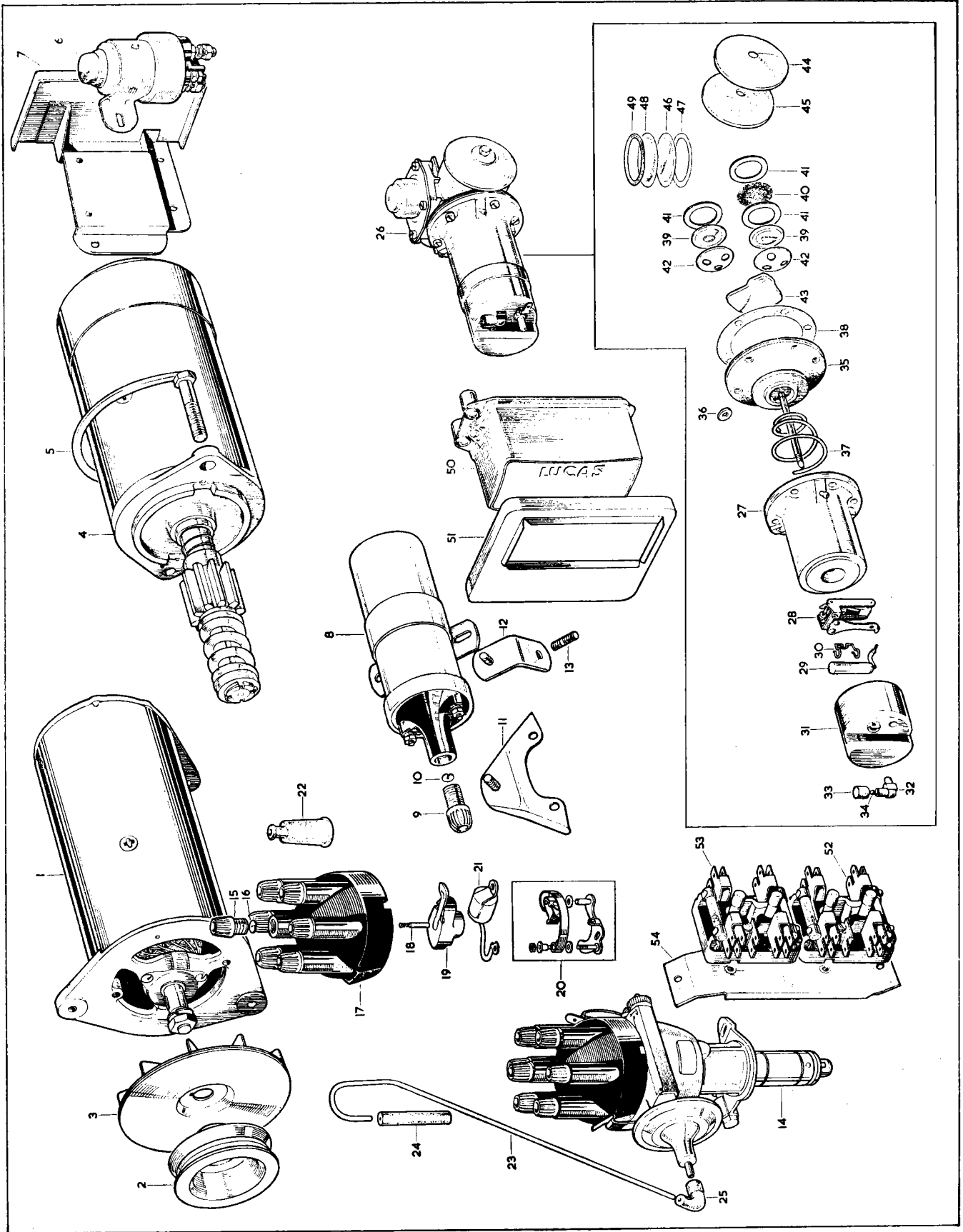


PLATE 85

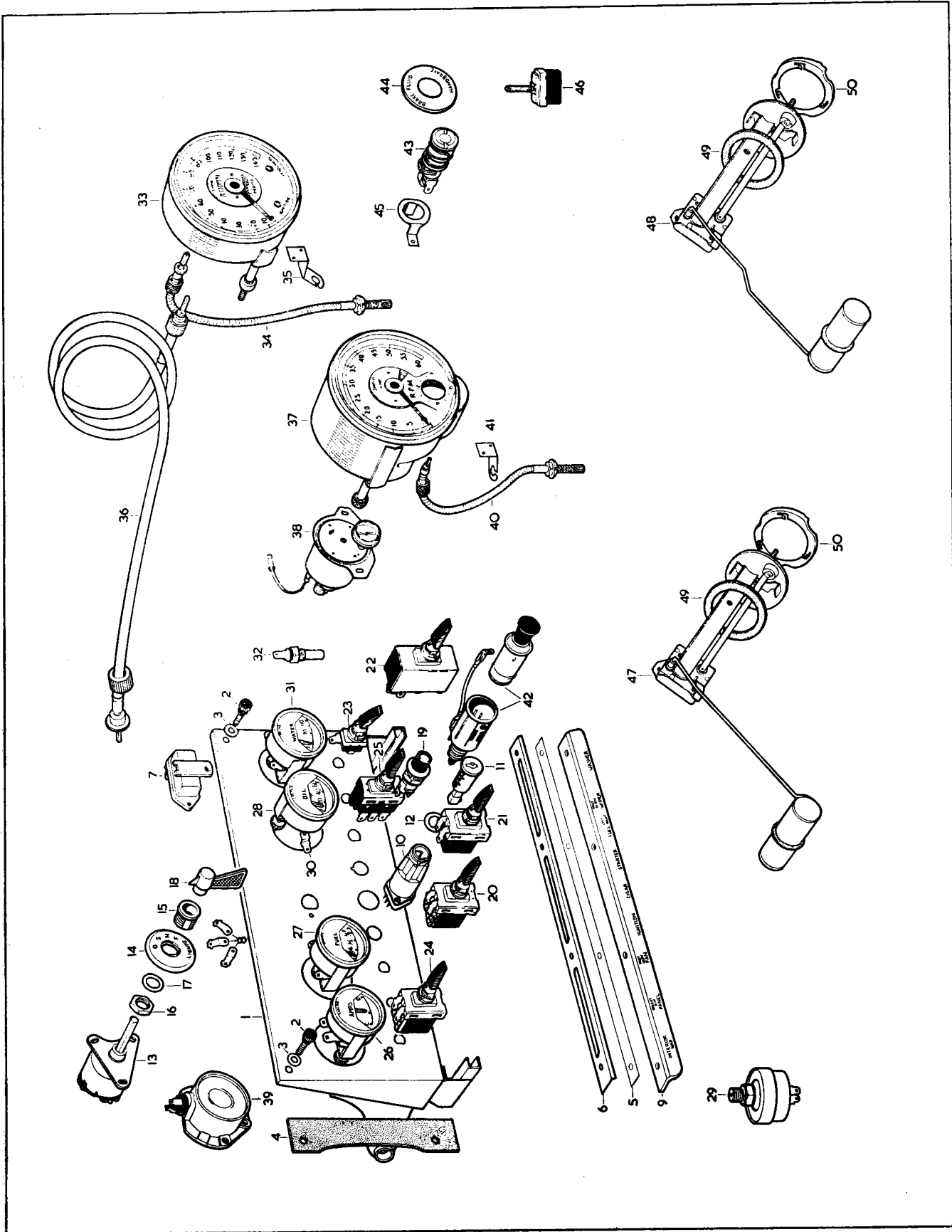


PLATE 86

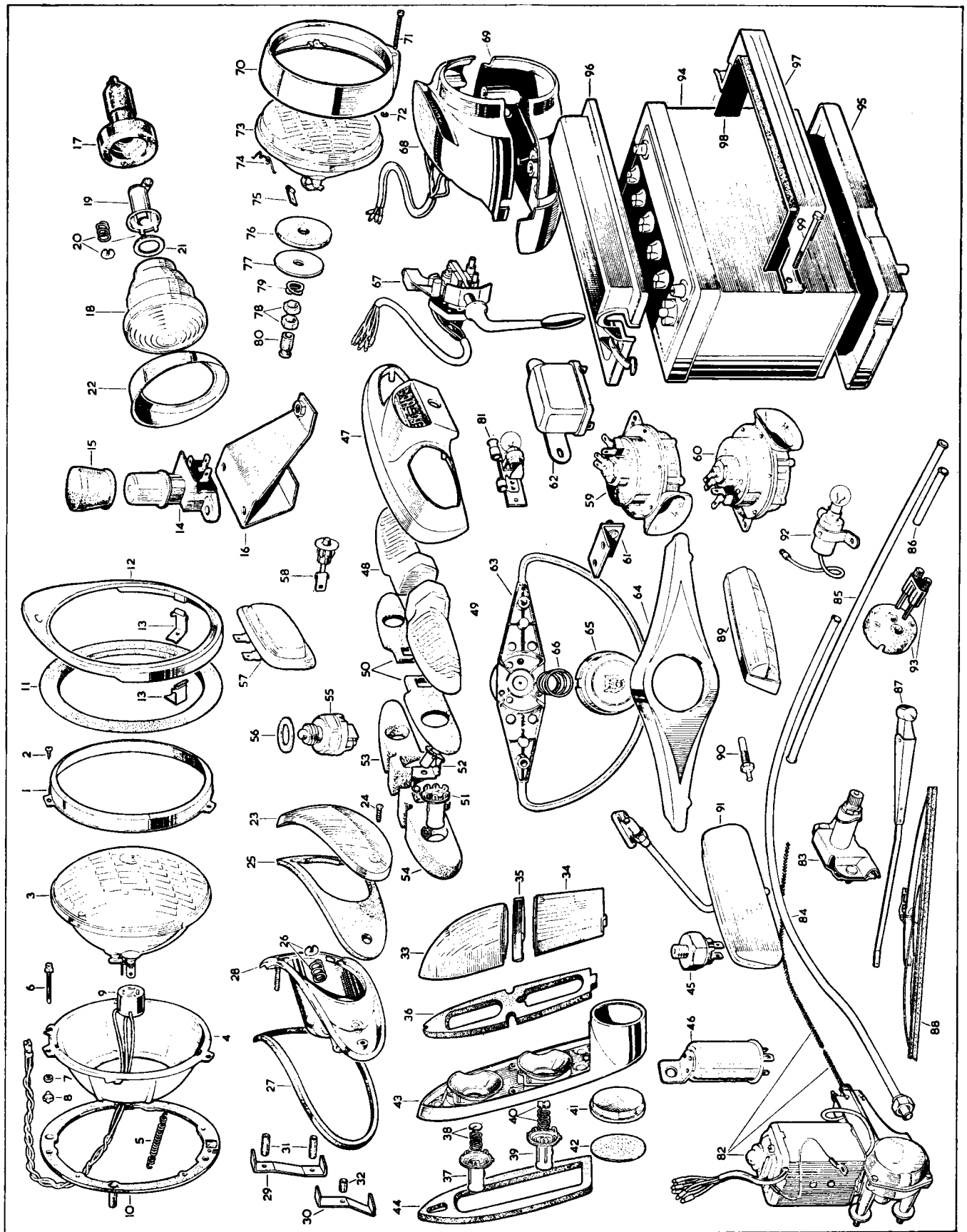


PLATE 87

ELECTRICAL EQUIPMENT

OVERDRIVE TRANSMISSION

Part No.	Description	Plate No.	No. per Unit	Remarks
C.1083	SWITCH, IN GEARBOX TOP COVER, OPERATING REVERSE LAMP AND TOP GEAR CIRCUIT FOR OVERDRIVE UNIT (31542-SS.10/1)		2	} See also Gearbox for Overdrive Transmission
C.4531 C.26377	Gasket, for Switches (163682) Washer (Fibre) for adjustment of Top Gear Switch		2 As req'd	
C.23391	OVERDRIVE OPERATING SWITCH (34804/A-90SA)		1	
C.16600	Bracket, mounting Operating Switch to Outer Steering Column Tube		1	
UFS.119/4R	Screw, Set, securing Bracket		2	
UFN.119/L	Nut, on Setscrews		2	
C.723/A	Washer, Shakeproof, under Nuts		2	
C.23523	FUSE CONNECTOR ASSEMBLY, BETWEEN SWITCH AND PANEL HARNESS (54935469)		1	} Fitted to Chassis No. 1B.1004 and subs. } 3-4 litre 1B.25005 and subs. } 1B.50321 and subs. } 3-8 litre 1B.75053 and subs. } BD.22655 Clip, retaining Connector to Facia Board } DAZ.404/4C Screw, Self-Tapping, securing Clip }
10464	Fuse Holder (Plastic) (54190387)		1	
10442	Fuse (8 amp) (188209)		1	
BD.22655	Clip, retaining Connector to Facia Board		1	
DAZ.404/4C	Screw, Self-Tapping, securing Clip		1	
C.7471	SOLENOID ON OVERDRIVE UNIT (76515/D-11S)		1	} Fitted from Chassis No. 1B.1001 to 1B.2191 } 3-4 litre 1B.25001 to 1B.25300 } 1B.50001 to 1B.52077 } 3-8 litre 1B.75001 to 1B.76309 } See also Overdrive Unit
10002	SOLENOID ON OVERDRIVE UNIT (76522/F-11S) (65210)		1	} Fitted to Chassis No. 1B.2192 and subs. } 3-4 litre 1B.25301 and subs. } 1B.52078 and subs. } 3-8 litre 1B.76310 and subs. } See also Overdrive Unit
9240	Gasket, between Solenoid and Bracket			
C.24165	SPEEDOMETER (SN.6326/28) (CALIBRATED IN MILES)		1	} FOR USE WITH 3-77:1 FINAL DRIVE RATIO AND 185 x 15 SP.41 TYRES Fitted from Chassis No. 1B.1001 to 1B.2191 } 3-4 litre 1B.25001 to 1B.25300 } 1B.50001 to 1B.52077 } 3-8 litre 1B.75001 to 1B.76309 }
C.24166	SPEEDOMETER (SN.6326/29) (CALIBRATED IN KILOS)		1	

ELECTRICAL EQUIPMENT

OVERDRIVE TRANSMISSION

Part No.	Description	Plate No.	No. per Unit	Remarks
C.24167	SPEEDOMETER (SN.6326/26) (CALIBRATED IN MILES)		1	FOR USE WITH 3-77:1 FINAL DRIVE RATIO AND 185 x 15 SP.41 TYRES Fitted to Chassis No. 1B.2192 and subs. } 3-4 litre 1B.25301 and subs. } 1B.52078 and subs. } 3-8 litre 1B.76310 and subs. }
C.24168	SPEEDOMETER (SN.6326/27) (CALIBRATED IN KILOS)		1	
C.22013	SPEEDOMETER (SN.6326/12) (CALIBRATED IN MILES)		1	FOR USE WITH 3-77:1 FINAL DRIVE RATIO AND 6-40 x 15 RS.5 TYRES Fitted from Chassis No. 1B.1001 to 1B.2191 } 3-4 litre 1B.25001 to 1B.25300 } 1B.50001 to 1B.52077 } 3-8 litre 1B.75001 to 1B.76309 }
C.22015	SPEEDOMETER (SN.6326/14) (CALIBRATED IN KILOS)		1	
C.22010	SPEEDOMETER (SN.6326/09) (CALIBRATED IN MILES)		1	FOR USE WITH 3-77:1 FINAL DRIVE RATIO AND 6-40 x 15 SP.41 TYRES Fitted to Chassis No. 1B.2192 and subs. } 3-4 litre 1B.25301 and subs. } 1B.52078 and subs. } 3-8 litre 1B.76310 and subs. }
C.22012	SPEEDOMETER (SN.6326/11) (CALIBRATED IN KILOS)		1	
987	Bulb, illuminating Speedometer, Ignition and Headlamp Main Beam Warning Lamps (987)		4	
C.16898	Bulbholder (54360731)		2	
<p>NOTE:- To ensure that the correct Speedometer is supplied by Jaguar Spares Division IT IS IMPORTANT, WHEN ORDERING to quote the number printed on the dial of the displaced instrument</p> <p>On some specially calibrated instruments the number is printed on the back of the Speedometer Casing</p>				
C.16332	FLEXIBLE SPEEDOMETER CABLE, COMPLETE (DF.1104/19/78)		1	R.H. DRIVE CARS ONLY Fitted from Chassis No. 1B.1001 to 1B.3027 } 3-4 litre 1B.50001 to 1B.53239 } 3-8 litre
6898	Inner Cable only (DI.1110/00/78)		1	
8253	Outer Cable only (DO.1104/18/78)		1	
C.25403	FLEXIBLE SPEEDOMETER CABLE, COMPLETE (DF.1110/00/Z.68)		1	R.H. DRIVE CARS ONLY Fitted to Chassis No. 1B.3028 and subs. } 3-4 litre 1B.53240 and subs. } 3-8 litre
11035	Inner Cable only (DI.1110/00/Z.68)		1	
11036	Outer Cable only (DO.1110/00/68)		1	

ELECTRICAL EQUIPMENT

OVERDRIVE TRANSMISSION

Part No.	Description	Plate No.	No. per Unit	Remarks
C.15932	FLEXIBLE SPEEDOMETER CABLE, COMPLETE (DF.1104/19/96)		1	L.H. DRIVE CARS ONLY Fitted from Chassis No. 1B.25001 to 1B.25433 3-4 litre 1B.75001 to 1B.77235 3-8 litre
8254	Inner Cable only (DI.1110/00/96)		1	
8255	Outer Cable only (DO.1104/18/96)		1	
C.25696	FLEXIBLE SPEEDOMETER CABLE, COMPLETE (DF.1110/00/Z.76)		1	L.H. DRIVE CARS ONLY Fitted to Chassis No. 1B.25434 and subs. 3-4 litre 1B.77236 and subs. 3-8 litre
11037	Inner Cable only (DI.1110/00/Z.76)		1	
11038	Outer Cable only (DO.1110/00/76)		1	
C.24589	RIGHT-ANGLE DRIVE, FOR SPEEDOMETER CABLE (AT GEARBOX) (BG.2002/07)		1	Fitted to Chassis No. 1B.3028 and subs. } 3-4 litre 1B.25434 and subs. } 1B.53240 and subs. } 3-8 litre 1B.77236 and subs. }
C.15477	ELECTRICAL HARNESS, FOR GEARBOX (54944619)		1	
C.22074	PANEL HARNESS (54934741)		1	R.H. DRIVE CARS ONLY
C.22075	PANEL HARNESS (54934849)		1	L.H. DRIVE CARS ONLY
C.18187	RESISTANCE, ON ROAD LAMPS SWITCH, DIMMING 'OVERDRIVE' INDICATOR LIGHTING DURING NIGHT DRIVING (54334020)		1	
C.25927	UPPER SWITCH COVER ASSEMBLY, AT CENTRE OF STEERING WHEEL (54360621)		1	
C.15792	Indicator Light Unit (54360413)		1	
C.25924	Unit Indicator ('Overdrive') (54361967)		1	
C.15787	Bulb (2 watt. Lilliput) (281)		3	
8411	Bulb Holder, complete with Cables (54945043)		1	
8092	Rubber Pad (54360531)		1	

ELECTRICAL EQUIPMENT

OVERDRIVE TRANSMISSION

Part No.	Description	Plate No.	No. per Unit	Remarks
C.20793	LOWER SWITCH COVER, AT CENTRE OF STEERING WHEEL (54360622)		1	
BD.13713/2	Screw, Set, securing Lower Switch Cover to Upper Steering Column		3	
C.16460	Screw, Set, clamping Upper and Lower Switch Covers together		2	
C.15830	Washer, Special, on Setscrews		;	
GROMMETS				
C.17432	Grommet, in Gearbox Tunnel, for Harness (863123)		1	
CABLE CLIPS				
C.1040/9	Clip, securing Speedometer Cable (187052)		See remarks	2 OFF FOR R.H. DRIVE CARS 1 OFF FOR L.H. DRIVE CARS
C.1040/24	Clip, securing Gearbox Harness (187008)		1	
C.1040/27	Clip, securing Gearbox Harness (900400)		1	
C.1543/7	Clip, securing Speedometer Cable		1	

ELECTRICAL EQUIPMENT

AUTOMATIC TRANSMISSION

Part No.	Description	Plate No.	No. per Unit	Remarks
C.10980	STARTER MOTOR (26097/D)		1	
5924	Armature (271780)		1	
2804	Brush (Set of 2) (255659)		1	
2811	Spring, for Brush Tension (Set of 2) (270004)		1	
5927	Pinion and Sleeve Assembly (291104)		1	
5929	Spring, Pinion retaining (291550)		1	
2819	Field Coil (271306)		1 set	
6653	Bracket, Commutator End (271305)		1	
2801	Bush, for Commutator End Bracket (255491)		1	
5925	Bracket, Driving End (271939)		1	
5922	Bush, for Driving End Bracket (270883)		1	
2826	Drive Assembly (291551)		1	
5928	Main Spring (291448)		1	
6545	Cap, Shaft (255854)		1	
7007	Cover Band (270294)		1	
C.22488	SPIGOT PLATE, MOUNTING STARTER MOTOR TO CONVERTER HOUSING		1	REQUIRED WHEN MODEL 35 AUTOMATIC TRANSMISSION IS FITTED
C.22489	Dowel, on Spigot Plate		2	
C.12226	Strap Assembly, fixing Starter Motor to Converter Housing		1	
UFB.137/14R	Bolt, securing Strap to Converter Housing		2	
C.25463	STARTER SOLENOID SWITCH (31931/A)		1	
C.20088	Cover, under Solenoid Rubber Cover (54337061)		1	
C.15270	THROTTLE SWITCH, BETWEEN CARBURETTERS, FOR ANTI-CREEP CUT-OUT (31931/A)		1	
C.14665	Bracket, mounting Throttle Switch		1	
C.12473	Stud, fixing Bracket to Inlet Manifold		1	
UFN.131/L	Nut, securing Bracket on Stud		1	
FG.105/X	Washer, Spring, under Nut		1	
UFN.125/L	Nut, securing Throttle Switch to Bracket		2	
C.12750	SOLENOID VALVE, ON BODY UNDERFRAME, FOR ANTI-CREEP CONTROL (76502/D)		1	
C.7673	Adaptor, in end of Solenoid Valve		1	
C.2296/8	Washer (Copper) under Adaptor		1	
UFS.131/6R	Screw, Set, securing Solenoid Valve		2	
C.725	Washer, Shakeproof, on Setscrews		2	
FW.105/T	Washer, Plain, on Setscrews		2	

ELECTRICAL EQUIPMENT

AUTOMATIC TRANSMISSION

Part No.	Description	Plate No.	No. per Unit	Remarks
C.12751	SWITCH, ON TRANSMISSION CASE, FOR ANTI-CREEP PRESSURE CONTROL (31393/A)		1	
C.17673	SOLENOID, FOR INTERMEDIATE SPEED HOLD (76533/D-11S)		1	
UFS.319/3H	Screw, Set, securing Solenoid		2	
C.12649	Washer, Spring, on Setscrews		2	
C.12558	MANUAL SWITCH, ON SCREEN RAIL, OPERATING INTERMEDIATE SPEED HOLD SOLENOID (81047-JSB)		1	
C.19638	Escutcheon, for Manual Switch (marked 'Intermediate Speed-Hold', 'In-Out')		1	
C.23524	FUSE CONNECTOR ASSEMBLY, BETWEEN SWITCH AND PANEL HARNESS (54935470)		1	Fitted to Chassis No. 1B.1004 and subs. } 3-4 litre 1B.25005 and subs. } 1B.50321 and subs. } 3-8 litre 1B.75052 and subs. }
10442	Fuse (8 amp) (188209)		1	
BD.22655	Clip, retaining Connector to Facia Board		1	
DAZ.404/4C	Screw, Self-Tapping, securing Clip		1	
C.18187	RESISTANCE, ON ROAD LAMPS SWITCH, REDUCING LIGHT BEHIND 'P.N.D.L.R.' INDICATOR DURING NIGHT DRIVING (54334020)		1	
C.22948	SWITCH, OPERATING REVERSE LAMP AND STARTER CUT-OUT (34774/A-55.SA)		1	
C.23355	Rubber Cover, for Switch		1	

ELECTRICAL EQUIPMENT

AUTOMATIC TRANSMISSION

Part No.	Description	Plate No.	No. per Unit	Remarks
C.24167	SPEEDOMETER (SN.6326/26) (CALIBRATED IN MILES)		1	FOR USE WITH 3-54:1 FINAL DRIVE RATIO AND 185 x 15 SP.41 TYRES
C.24168	SPEEDOMETER (SN.6326/27) (CALIBRATED IN KILOS)		1	
C.24165	SPEEDOMETER (SN.6326/28) (CALIBRATED IN MILES)		1	FOR USE WITH 3-77:1 FINAL DRIVE RATIO AND 185 x 15 SP.41 TYRES
C.24166	SPEEDOMETER (SN.6326/29) (CALIBRATED IN KILOS)		1	
C.22010	SPEEDOMETER (SN.6326/09) (CALIBRATED IN MILES)		1	FOR USE WITH 3-54:1 FINAL DRIVE RATIO AND 6-40 x 15 RS.5 TYRES
C.22012	SPEEDOMETER (SN.6326/11) (CALIBRATED IN KILOS)		1	
C.22013	SPEEDOMETER (SN.6326/12) (CALIBRATED IN MILES)		1	FOR USE WITH 3-77:1 FINAL DRIVE RATIO AND 6-40 x 15 RS.5 TYRES
C.22015	SPEEDOMETER (SN.6326/14) (CALIBRATED IN KILOS)		1	
987	Bulb, illuminating Speedometer, Ignition and Headlamp Main Beam Warning Lamps (987)		4	
C.16898	Bulb Holder (54360731)		2	
<p>NOTE:- To ensure that the correct Speedometer is supplied by Jaguar Spares Division IT IS IMPORTANT, WHEN ORDERING to quote the number printed on the dial of the displaced instrument</p> <p>On some specially calibrated instruments the number is printed on the back of the Speedometer Casing</p>				
C.24664	FLEXIBLE SPEEDOMETER CABLE, COMPLETE (DF.1302/02/76)		1	R.H. DRIVE CARS ONLY Fitted from Chassis No. 1B.1001 to 1B.8444 3-4 litre 1B.50001 to 1B.59528 3-8 litre
10764	Inner Cable only (DI.1314/00/76)		1	
10765	Outer Cable only (DO.1314/02/76)		1	

ELECTRICAL EQUIPMENT

AUTOMATIC TRANSMISSION

Part No.	Description	Plate No.	No. per Unit	Remarks
C.15929	FLEXIBLE SPEEDOMETER CABLE, COMPLETE (DF.1104/19/Z.66)		1	R.H. DRIVE CARS FITTED WITH MODEL 35 AUTOMATIC TRANSMISSION ONLY AT CHASSIS NO.
8241	Inner Cable only (DI.1110/00/66)		1	1B.8445 and subs. 3-4 litre
8242	Outer Cable only (DO.1104/18/66)		1	1B.59529 and subs. 3-8 litre
C.15934	FLEXIBLE SPEEDOMETER CABLE, COMPLETE (DF.1302/02/60)		1	L.H. DRIVE CARS ONLY Fitted from Chassis No.
8258	Inner Cable only (DI.1314/00/60)		1	1B.25001 to 1B.25433 3-4 litre
8259	Outer Cable only (DO.1314/00/60)		1	1B.75001 to 1B.77235 3-8 litre
C.25251	FLEXIBLE SPEEDOMETER CABLE, COMPLETE (DF.1302/02/Z.72)		1	L.H. DRIVE CARS ONLY Fitted from Chassis No.
11076	Inner Cable only (DI.1314/00/Z.72)		1	1B.25934 to 1B.26240 3-4 litre
11077	Outer Cable only (DO.1314/02/72)		1	1B.77236 to 1B.80287 3-8 litre
UCS.125/4R	Screw, Set, securing Speedometer Cable Clamp		1	
C.724	Washer, Shakeproof, on Setscrew		1	
C.15930	FLEXIBLE SPEEDOMETER CABLE, COMPLETE (DF.1104/19/Z.84A)		1	L.H. DRIVE CARS FITTED WITH MODEL 35 AUTOMATIC TRANSMISSION ONLY AT CHASSIS NO.
8243	Inner Cable only (DI.1110/00/84)		1	1B.26241 and subs. 3-4 litre
8244	Outer Cable only (DO.1104/18/84)		1	1B.80288 and subs. 3-8 litre
C.22076	PANEL HARNESS (54934742)		1	R.H. DRIVE CARS FITTED WITH MODEL 'D.G.' AUTOMATIC TRANSMISSION
C.22077	PANEL HARNESS (54934850)		1	L.H. DRIVE CARS FITTED WITH MODEL 'D.G.' AUTOMATIC TRANSMISSION
C.25958	PANEL HARNESS		1	R.H. DRIVE CARS FITTED WITH MODEL 35 AUTOMATIC TRANSMISSION
C.25959	PANEL HARNESS		1	L.H. DRIVE CARS FITTED WITH MODEL 35 AUTOMATIC TRANSMISSION
C.25960	FORWARD HARNESS		1	R.H. DRIVE CARS FITTED WITH MODEL 35 AUTOMATIC TRANSMISSION
C.25961	FORWARD HARNESS		1	L.H. DRIVE CARS FITTED WITH MODEL 35 AUTOMATIC TRANSMISSION

ELECTRICAL EQUIPMENT

AUTOMATIC TRANSMISSION

Part No.	Description	Plate No.	No. per Unit	Remarks								
C.21959	INHIBITOR SWITCH CONNECTOR		1	CARS FITTED WITH MODEL 35 AUTOMATIC TRANSMISSION ONLY								
CLIPS AND FIXINGS												
C.1040/1	Clip, securing Harness to Gearbox Tunnel (187079)		2	} 3 FOR R.H. DRIVE CARS 1 FOR L.H. DRIVE CARS								
C.1040/9	Clip, securing Speedometer Cable (187052)		2									
C.1040/12	Clip, securing Speedometer Cable (187042)		2	} R.H. DRIVE CARS ONLY								
C.24469	Clip, securing Speedometer Cable to Engine		3									
UFS.419/4H	Screw, Set, securing Clips		2	} R.H. DRIVE CARS ONLY WITH C.24664								
UFN.119/L	Nut, on Setscrews		2									
C.723/A	Washer, Shakeproof, under Nuts		2									
			2									
RUBBER GROMMETS												
C.5574	Grommet, for Transmission Control Cable (740811)		1	} R.H. DRIVE CARS ONLY								
C.17432	Grommet, in Transmission Cover, for Harness (863123)		1									
C.16790	UPPER SWITCH COVER ASSEMBLY, AT CENTRE OF STEERING WHEEL (54360619)		1	} CARS FITTED WITH MODEL 'D.G.' AUTOMATIC TRANSMISSION FROM CHASSIS NO. <table style="margin-left: 20px; border: none;"> <tr> <td style="border: none;">1B.1001 to 1B.8444</td> <td style="border: none;">} 3-4 litre</td> </tr> <tr> <td style="border: none;">1B.25001 to 1B.26240</td> <td style="border: none;">} 3-4 litre</td> </tr> <tr> <td style="border: none;">1B.50001 to 1B.59528</td> <td style="border: none;">} 3-8 litre</td> </tr> <tr> <td style="border: none;">1B.75001 to 1B.80287</td> <td style="border: none;">} 3-8 litre</td> </tr> </table>	1B.1001 to 1B.8444	} 3-4 litre	1B.25001 to 1B.26240	} 3-4 litre	1B.50001 to 1B.59528	} 3-8 litre	1B.75001 to 1B.80287	} 3-8 litre
1B.1001 to 1B.8444	} 3-4 litre											
1B.25001 to 1B.26240	} 3-4 litre											
1B.50001 to 1B.59528	} 3-8 litre											
1B.75001 to 1B.80287	} 3-8 litre											
C.15792	Indicator Light Unit (54360413)		1									
C.15925	Gear Indicator (P.N.D.L.R.) (54360626)		1									
C.15787	Bulb (2 watt, Lilliput)		3									
8411	Bulb Holder, complete with Cables (54940543)		1									
8092	Rubber Pad (54360531)		1									
C.22538	UPPER SWITCH COVER ASSEMBLY, AT CENTRE OF STEERING WHEEL		1	} CARS FITTED WITH MODEL 35 AUTOMATIC TRANSMISSION AT CHASSIS NO. <table style="margin-left: 20px; border: none;"> <tr> <td style="border: none;">1B.8445 and subs.</td> <td style="border: none;">} 3-4 litre</td> </tr> <tr> <td style="border: none;">1B.26241 and subs.</td> <td style="border: none;">} 3-4 litre</td> </tr> <tr> <td style="border: none;">1B.59529 and subs.</td> <td style="border: none;">} 3-8 litre</td> </tr> <tr> <td style="border: none;">1B.80288 and subs.</td> <td style="border: none;">} 3-8 litre</td> </tr> </table>	1B.8445 and subs.	} 3-4 litre	1B.26241 and subs.	} 3-4 litre	1B.59529 and subs.	} 3-8 litre	1B.80288 and subs.	} 3-8 litre
1B.8445 and subs.	} 3-4 litre											
1B.26241 and subs.	} 3-4 litre											
1B.59529 and subs.	} 3-8 litre											
1B.80288 and subs.	} 3-8 litre											
C.15792	Indicator Light Unit (54360413)		1									
C.22540	Gear Indicator (P.R.N.D ₂ .D ₁ .L) (54361538)		1									
C.15787	Bulb (12v. 2w.) (281)		3									
8411	Bulb Holder, complete with Leads (54940543)		1									
8092	Rubber Pad (54360531)		1									
C.22540	Indicator (P.R.N.D ₁ .D ₂ .L) (54361228)		1									
C.20792	LOWER SWITCH COVER, AT CENTRE OF STEERING WHEEL (54360620)		1									

WINDSCREEN WASHER

FITTED FROM CHASSIS NO. 1B.1001 TO 1B.3604 } 3.4 LITRE 1B.50001 TO 1B.53949 }
 1B.25001 TO 1B.25514 } 1B.75001 TO 1B.77612 } 3.8 LITRE

Part No.	Description	Plate No.	No. per Unit	Remarks
C.17004	WINDSCREEN WASHER UNIT ASSEMBLY (54071196-2SJ)		1	
8408	Motor, complete with Coupling (54711928)	90-1	1	
8035	Pump Assembly (295194)	90-2	1	
8036	Moulded Cover (295138)	90-3	1	
8037	Rubber Gasket, between Cover and Reservoir (295042)	90-4	1	
8038	Rubber Filler Cap (295043)	90-5	1	
8039	Union, securing Motor to Pump (295045)	90-6	1	
8040	Glass Reservoir (295058)	90-7	1	
8041	Bracket, holding Reservoir (295061)	90-8	1	
8408	MOTOR, COMPLETE WITH COUPLING (54711928)	90-1	1	
8042	Contact Assembly (295251)		1	
8043	Brush Set (295198)		1	
8044	Armature (295023)		1	
8990	Lucar Connector (54190172)		3	
C.19402	FLUID TUBE (116" LONG) (54713823)	90-9	1	
C.15644	'T' PIECE, AT JUNCTION OF FLUID TUBES (295091)	90-10	1	
C.15645	JET ASSEMBLY (54711657)	90-11	2	
C.15752	BRACKET, MOUNTING WINDSCREEN WASHER BRACKET AT TOP		1	
UFS.419/2H	Screw, Set, securing Washer Bracket to Mounting Bracket		2	
UFN.119/L	Nut, on Setscrews		2	
UFS.419/4H	Screw, Set, securing Washer Bracket and Mounting Bracket to L.H. Front Wing Valance		3	
C.723/A	Washer, Shakeproof, on Setscrews and under Nuts		5	

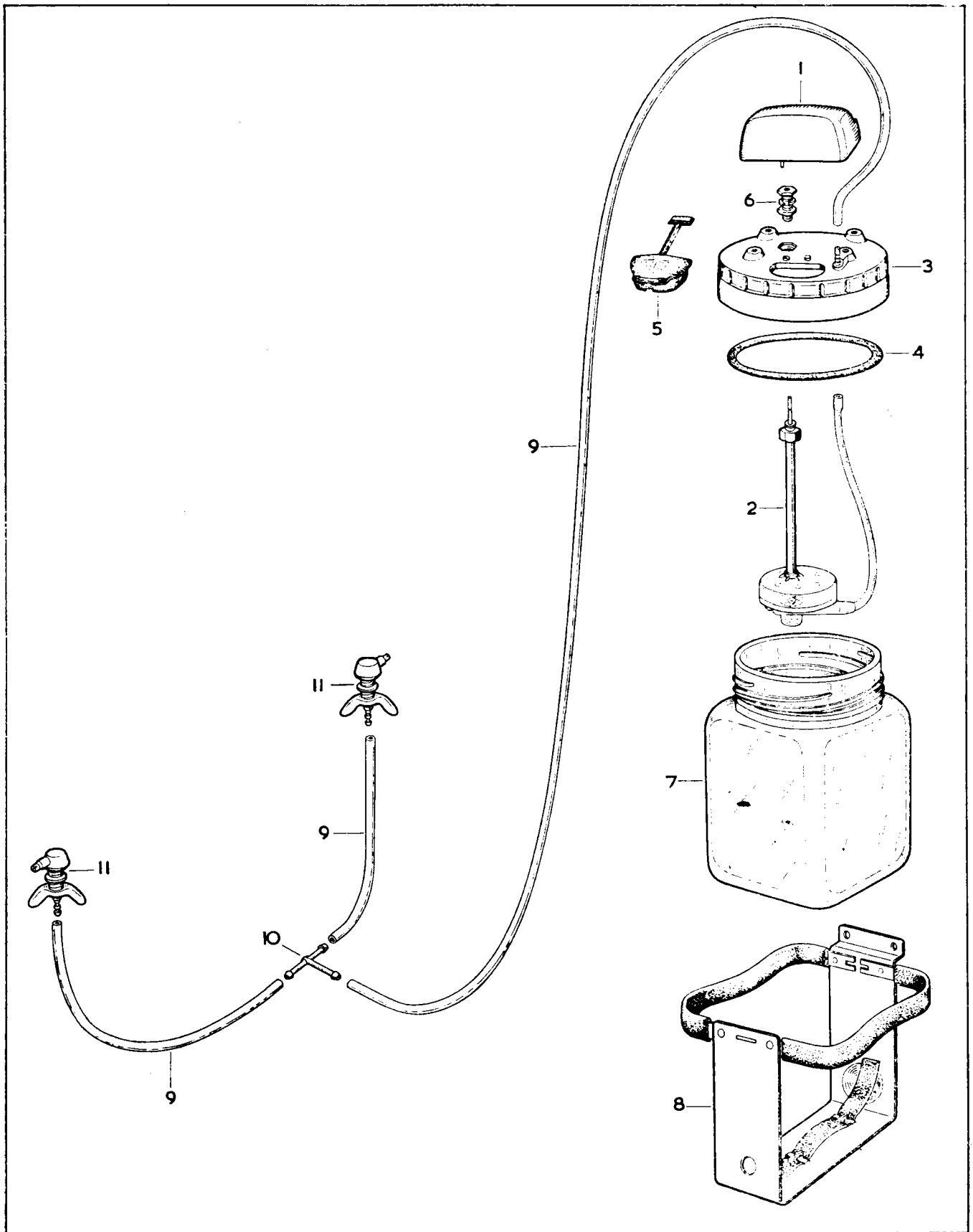
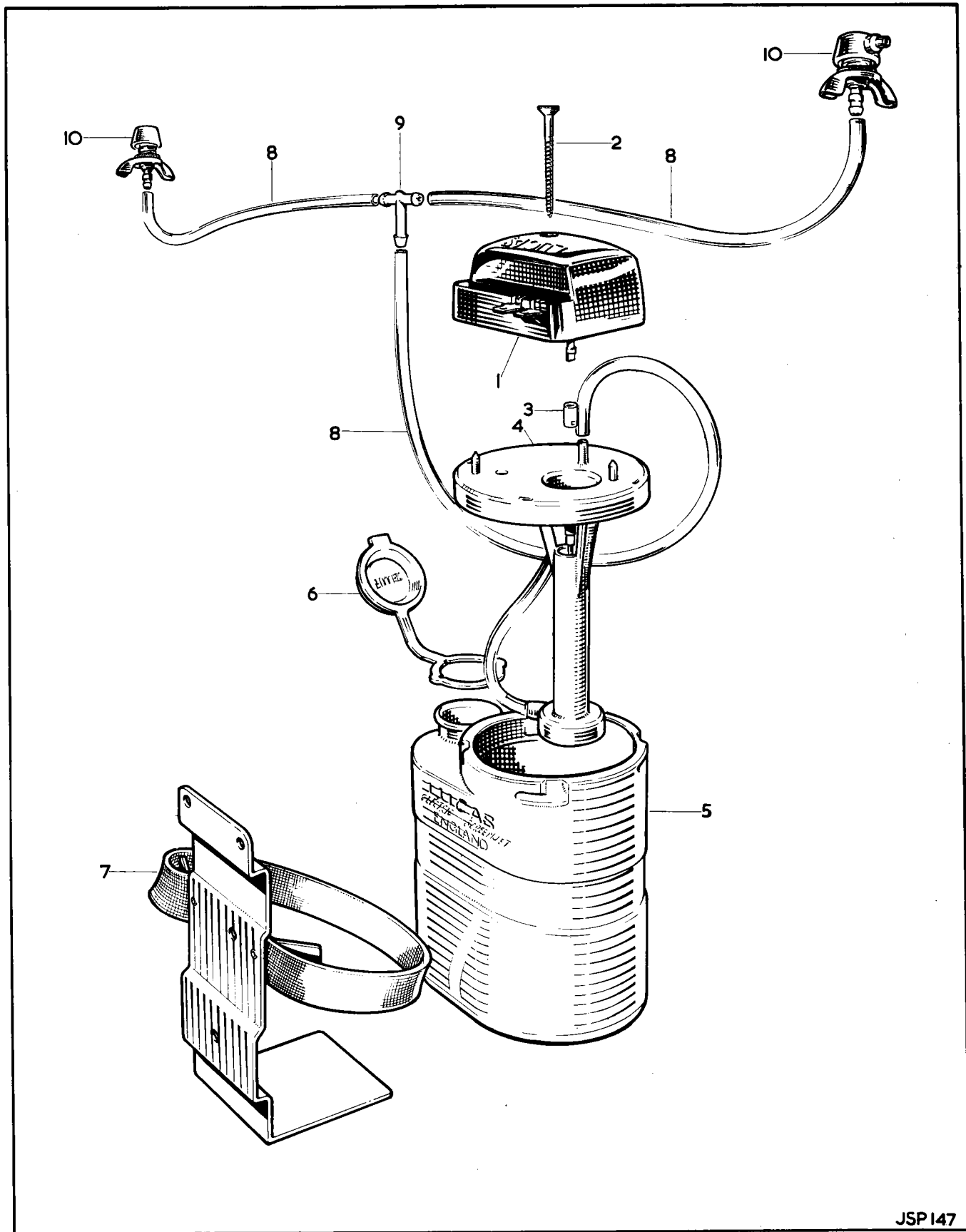


PLATE 90

WINDSCREEN WASHER

FITTED TO CHASSIS NO. 1B.3605 AND SUBS. } 3.4 LITRE 1B.53950 AND SUBS. } 3.8 LITRE
 1B.25515 AND SUBS. } 1B.77613 AND SUBS. }

Part No.	Description	Plate No.	No. per Unit	Remarks
C.25438	WINDSCREEN WASHER UNIT ASSEMBLY (54071313-5SJ)		1	
11080	Motor, complete with Coupling (54717459)	91-1	1	
11081	Screw, securing Motor to Cover (54102956)	91-2	1	
11082	Coupling, between Motor and Pump (54718214)	91-3	1	
11083	Cover and Pump Assembly, complete with Coupling (54717203)	91-4	1	
11084	Reservoir (54713627)	91-5	1	
11085	Filler Cap, on Reservoir (54713627)	91-6	1	
11086	Strap and Bracket Assembly, holding Washer Unit (54713814)	91-7	1	
DJZ.408/6C	Screw, Self-Tapping, securing Strap and Bracket Assembly to Mounting Bracket		2	
BD.8536/1	Spire Nut, on Mounting Bracket receiving Self-Tapping Screws		2	
11080	MOTOR, COMPLETE WITH COUPLING (54717459)	91-1	1	
8043	Brush Set (54711077)		1	
11088	Armature (54713009)		1	
C.19402	FLUID TUBE (116" LONG) (54713823)	91-8	1	
C.15644	'T' PIECE, AT JUNCTION OF FLUID TUBES (295091)	91-9	1	
C.15645	JET ASSEMBLY (54711657)	91-10	1	
C.15752	BRACKET, MOUNTING STRAP BRACKET ASSEMBLY AT TOP	91-11	1	
UFS.419/4H	Screw, Set, securing Mounting Bracket to L.H. Front Wing Valance		2	
UFN.119/L	Nut, on Setscrews		2	
C.723/A	Washer, Shakeproof, under Nuts		2	
C.24751	Stud, fixing Strap Bracket at bottom		1	
UFN.119/L	Nut, securing Stud to Valance and Strap Bracket to Stud		2	
C.723/A	Washer, Shakeproof, under Nuts		2	



JSP 147

PLATE 91

511

BODY SHELL

Part No.	Description	Plate No.	No. per Unit	Remarks
BD.24658	BODY SHELL ASSEMBLY (31680/0950)		1	FOR CARS FITTED WITH STANDARD OR OVERDRIVE TRANSMISSION
10237	Underframe Assembly (31680/0700)		1	
10238	Body Side Assembly, R.H. (31680/0010)		1	
10239	Body Side Assembly, L.H. (31680/0011)		1	
10240	Roof Panel (11680/0003)		1	
11144	Front Wing Assembly, R.H. (41680/1043)		1	
11145	Front Wing Assembly, L.H. (41680/1049)		1	
10529	Baffle, for R.H. Front Wing (10710/0186)		1	
10530	Baffle, for L.H. Front Wing (10710/0187)		1	
11452	Panel Assembly, joining Front Wings at top (41680/0101)		1	Fitted from Chassis No. 1B.1001 to 1B.7567 } 3-4 litre 1B.25001 to 1B.26058 } 1B.50001 to 1B.58790 } 3-8 litre 1B.75001 to 1B.80105 }
11146	Panel, joining Front Wings at top (11680/0241)		1	Fitted to Chassis No. 1B.7568 and subs. } 3-4 litre 1B.26059 and subs. } 1B.58791 and subs. } 3-8 litre 1B.80106 and subs. }
6602	Stay Bracket, for R.H. Front Wing (171/238)		1	
6603	Stay Bracket, for L.H. Front Wing (171/239)		1	
6604	Gusset, reinforcing R.H. Stay Bracket (171/258)		1	
6605	Gusset, reinforcing L.H. Stay Bracket (171/259)		1	
5100	Bonnet Assembly (371/014)		1	Fitted from Chassis No. 1B.1001 to 1B.7567 } 3-4 litre 1B.25001 to 1B.26058 } 1B.50001 to 1B.58790 } 3-8 litre 1B.75001 to 1B.80105 }
11392	Bonnet Assembly (31680/0014)		1	Fitted to Chassis No. 1B.7568 and subs. } 3-4 litre 1B.26058 and subs. } 1B.58791 and subs. } 3-8 litre 1B.80106 and subs. }
5144	Bonnet Hinge Assembly, R.H. (271/116)		1	
5145	Bonnet Hinge Assembly, L.H. (271/117)		1	
6626	Reinforcement Assembly, for Bonnet Lock (371/160)		1	
6743	Peg Assembly, for Bonnet Catch (271/148)		1	Fitted from Chassis No. 1B.1001 to 1B.7567 } 3-4 litre 1B.25001 to 1B.26058 } 1B.50001 to 1B.58790 } 3-8 litre 1B.75001 to 1B.80105 }
11389	Reinforcement Assembly, for Bonnet Lock (31680/0162)		1	Fitted to Chassis No. 1B.7568 and subs. } 3-4 litre 1B.26059 and subs. } 1B.58791 and subs. } 3-8 litre 1B.80106 and subs. }
11404	Peg Assembly, for Bonnet Catch (21680/0126)		1	
6730	Safety Hook Assembly, for Bonnet Catch (271/153)		1	
780	Spring, for Safety Hook (253/820)		1	
782	Pin, through Safety Hook (253/821)		1	
6721	Cover Plate, Valance to Grille opening (171/327)		1	
6627	Closing Plate, joining Front Wings under Radiator Grille aperture (171/758)		1	
6665	Capping Strip, for side of Front Wings (271/142)		2	
6666	Capping Strip, for front of Front Wings (271/143)		1	Fitted from Chassis No. 1B.1001 to 1B.7567 } 3-4 litre 1B.25001 to 1B.26058 } 1B.50001 to 1B.58790 } 3-8 litre 1B.75001 to 1B.80105 }
11391	Capping Strip, for front of Front Wings (21680/0115)		1	Fitted to Chassis No. 1B.7568 and subs. } 3-4 litre 1B.26059 and subs. } 1B.58791 and subs. } 3-8 litre 1B.80106 and subs. }
5117	Lid Assembly, for Scuttle Ventilator (371/100)		1	
7988	Distance Piece, for Scuttle Ventilator Lid (271/230)		2	
7358	Cover Plate, Dash side (171/235)		2	
8152	Windscreen Rail, lower R.H. (371/1134)		1	
8153	Windscreen Rail, lower L.H. (371/1135)		1	
10241	Reinforcement Assembly, for Facia (31680/0138)		1	
8437	Closing Panel, at R.H. side of Windscreen (171/1166)		1	
8438	Closing Panel, at L.H. side of Windscreen (171/1167)		1	
8147	Windscreen Header Panel Assembly (371/1116)		1	

BODY SHELL

Part No.	Description	Plate No.	No. per Unit	Remarks
BODY SHELL ASSEMBLY (31680/0950)				
<i>(Cont'd)</i>				
10242	Reinforcement, closing R.H. Cantrail at centre (11680/0118)		1	
10243	Reinforcement, closing L.H. Cantrail at centre (11680/0119)		1	
10135	Door Shell Assembly, R.H. Front (31680/0040)		1	
10136	Door Shell Assembly, L.H. Front (31680/0041)		1	
8167	Check Arm Assembly, for Front Doors (271/1100)		2	
7024	Pin, securing Front Door Check Arms (271/210)		2	
10137	Door Shell Assembly, R.H. Rear (31680/0046)		1	
10138	Door Shell Assembly, L.H. Rear (31680/0047)		1	
5141	Check Arm Assembly, for Rear Doors (271/100)		2	
7024	Pin, securing Rear Door Check Arms (271/210)		2	
10244	Reinforcement, closing R.H. 'D' Post (11680/0116)		1	
10245	Reinforcement, closing L.H. 'D' Post (11680/0117)		1	
10246	Spacer, for R.H. 'D' Post, lower (11680/0180)		1	
10247	Spacer, for L.H. 'D' Post, lower (11680/0181)		1	
10248	Reinforcement Assembly, at top and sides of Backlight (31680/0110)		1	
10249	Reinforcement, lower, for Backlight (11680/0114)		1	
10250	Tonneau Panel, behind Backlight (11680/0175)		1	
10141	Rear Wing Assembly, R.H. (31680/0050)		1	
10142	Rear Wing Assembly, L.H. (31680/0051)		1	
9549	Bracket Assembly, mounting Rear Bumper at sides (31330/0228)		2	
10133	Petrol Filler Door Assembly, R.H. (31680/0128)		1	
10134	Petrol Filler Door Assembly, L.H. (31680/0129)		1	
10148	Hinge Bracket and Arm Assembly, for Petrol Filler Doors (31680/0126)		2	
10149	Spring, for Petrol Filler Doors (21680/0107)		2	
10132	Trunk Lid Assembly (31680/0085)		1	
10150	Hinge Assembly, R.H. for Trunk Lid (21680/0100)		1	
10151	Hinge Assembly, L.H. for Trunk Lid (21680/0101)		1	
9443	Attachment Bracket, for Trunk Lid Hinges (11330/0105)		2	
10147	Spare Wheel Cover Assembly (31680/0076)		1	
BD.28269	Prop, for Spare Wheel Cover (21680/0104)		1	See also Body Panels
10251	Body Panel Assembly, lower, rear (31680/0002)		1	
BD.25977	Tail Panel Assembly (complete with Exhaust Pipe cut-outs) (21680/0114)		1	
BD.24659	BODY SHELL ASSEMBLY (31681/0950)		1	FOR CARS FITTED WITH AUTOMATIC TRANSMISSION
10252	Underframe Assembly (31681/0700)		1	
All other items are as for Body Shell BD.24658				
SUPPLEMENTARY ITEMS NECESSARY TO COMPLETE BODY SHELL ASSEMBLY				
6731	Air Intake Tube, in L.H. Front Wing Valance (271/722)		1	
6587	Bracket Assembly, inner, mounting Front Seats (371/744)		4	
BD.25759	GAUZE, FOR SCUTTLE VENTILATOR LID (21680/0113)		1	Fitted from Chassis No.
			3	1B.1001 to 1B.3231 } 3-4 litre
			3	1B.25001 to 1B.25465 } 3-8 litre
			3	1B.50001 to 1B.53493 } 3-8 litre
			3	1B.75001 to 1B.77353 } 3-8 litre
BD.19311/3 C.723/A AW.102/T	Screw, Set, securing Gauze Washer, Shakeproof, on Setscrews Washer, Plain, under Shakeproof Washers		3	See also Body Panels and Body Fittings

BODY SHELL

Part No.	Description	Plate No.	No. per Unit	Remarks
BD.27952	GAUZE, FOR SCUTTLE VENTILATOR LID		1	Fitted to Chassis No. 1B.3232 and subs. } 3-4 litre 1B.25466 and subs. } 1B.53494 and subs. } 3-8 litre 1B.77354 and subs. } See also Body Panels and Body Fittings
UFS.819/4H	Screw, Set, securing Gauze		3	
C.723/A	Washer, Shakeproof, on Setscrews		3	
AW.102/T	Washer, Plain, under Shakeproof Washers		3	
C.8971	COVER PLATE, SEALING REDUNDANT PEDAL HOLE IN DASH (171/265)		1	
C.8957	Gasket, under Cover Plate		1	
UFS.125/5R	Screw, Set, securing Cover Plate		4	
UFN.125/L	Nut, on Setscrews		4	
C.724	Washer, Shakeproof, under Nuts		4	
FW.104/T	Washer, Plain, under Shakeproof Washers		4	
BD.10407	COVER PLATE, SEALING REDUNDANT STEERING COLUMN APERTURE IN DASH (171/231)		1	
BD.1814/2	Pop Rivet, securing Cover Plate		4	
BD.11789	SEAL ASSEMBLY, FOR DIAPHRAGM AT REAR OF L.H. FRONT WING		1	
BD.10229	Rubber Seal		1	
BD.10406	Retainer, for Seal (171/237)		1	
BD.524/3	Bifurcated Rivet, securing Seal to Retainer		4	
BD.1814/2	Pop Rivet, securing Seals to Body		12	
BD.14155	COWL, ON OUTSIDE OF R.H. FRONT WING VALANCE, MOUNTING BRAKE SERVO		1	Fitted from Chassis No. 1B.1001 to 1B.2100 } 3-4 litre 1B.50001 to 1B.25285 } 1B.50001 to 1B.52036 } 3-8 litre 1B.75001 to 1B.76291 } Also fitted to Chassis No. 1B.52071, 1B.52074, } 3-8 litre 1B.52080, 1B.52081, } 1B.76309, 1B.76310, } 1B.76371 } See also Body Underframe and Brake Controls
UFS.125/4R	Screw, Set, securing Cowl		4	
UFS.125/5R	Screw, Set, securing Cowl		4	
C.724	Washer, Shakeproof, on Setscrews		8	
FW.104/T	Washer, Plain, under Shakeproof Washers		8	

BODY SHELL

Part No.	Description	Plate No.	No. per Unit	Remarks
BD.27543	COWL, ON OUTSIDE OF R.H. FRONT WING VALANCE, MOUNTING BRAKE SERVO		1	Fitted to Chassis No. 1B.2101 and subs. } 3-4 litre 1B.25286 and subs. } 1B.52037 and subs. } 3-8 litre 1B.76292 and subs. } Except Chassis No. 1B.52071, 1B.52074, } 1B.52080, 1B.52081, } 3-8 litre 1B.76309, 1B.76310, } 1B.76371 } See also Body Underframe and Brake Controls
DJZ.812/10C	Screw, Self-Tapping, securing Cowl to Valance		5	
BD.8536/3	Spire Nut, receiving Self-Tapping Screws		5	
UFS.825/5H	Screw, Set, securing Cowl to Valance		2	
C.724	Washer, Shakeproof, on Setscrews		2	
FW.104/T	Washer, Plain, under Shakeproof Washers and on Self-Tapping Screws		7	
C.22337	HEAT SHIELD, FOR MAIN EXHAUST SILENCERS		2	
BD.1814/9	Pop Rivet, securing Heat Shields		8	
BD.11806	SHROUD, FOR WATER DRAIN HOLES AT BOTTOM OF DOORS		16	
BD.1814/1	Pop Rivet, securing Shrouds		32	
BD.17989	FILLER PIECE, ON HINGE FACE OF L.H. REAR DOOR, SEATING DOOR SEAL		1	
BD.17990	FILLER PIECE, ON HINGE FACE OF R.H. REAR DOOR, SEATING DOOR SEAL		1	
BD.1814/1	Pop Rivet, securing Filler Pieces		4	
BD.19783	COVER PLATE, FOR LOCK MECHANISM BRACKETS ON TRUNK LID (11330/0334)		2	

BODY SHELL

Part No.	Description	Plate No.	No. per Unit	Remarks
BD.25828	COVER PLATE ASSEMBLY, AT CENTRE OF PARCEL SHELF		1	
BD.25829	COVER PLATE ASSEMBLY, AT ENDS OF PARCEL SHELF		2	

BODY UNDERFRAME

Part No.	Description	Plate No.	No. per Unit	Remarks
10237	UNDERFRAME ASSEMBLY (31680/0700)		1	FOR CARS FITTED WITH STANDARD OR OVERDRIVE TRANSMISSION
10253	Side Member Assembly, R.H. (31680/0022)		1	
10254	Side Member Assembly, L.H. (31680/0023)		1	
6732	Closing Plate, for R.H. Side Member (371/166)		1	
6733	Closing Plate, for L.H. Side Member (371/167)		1	
10255	Front Cross Member Assembly (31680/0723)		1	
4130	Closing Plate, for Front Cross Member (171/754)		1	
4128	Brace, at R.H. side of Front Cross Member (171/752)		1	
4129	Brace, at L.H. side of Front Cross Member (171/753)		1	
10256	Valance Assembly, under R.H. Front Wing (31680/0088)		1	
10257	Valance Assembly, under L.H. Front Wing (31680/0089)		1	
10159	Filler Panel, Valance to Grille Opening, upper (11680/0106)		1	Fitted from Chassis No. 1B.1001 to 1B.7567 } 3-4 litre 1B.25001 to 1B.26058 } 1B.50001 to 1B.58790 } 3-8 litre 1B.75001 to 1B.80105 }
11390	Filler Panel, Valance to Grille Opening, upper (11680/0241)		1	Fitted to Chassis No. 1B.7568 and subs. } 3-4 litre 1B.26059 and subs. } 1B.58791 and subs. } 3-8 litre 1B.80106 and subs. }
10258	Dash Centre Assembly (31680/0027)		1	
10259	Front Floor Assembly (31680/0705)		1	
10157	Intermediate Panel Assembly, for R.H. Door Sill (31680/0724)		1	
10158	Intermediate Panel Assembly, for L.H. Door Sill (31680/0725)		1	
10264	Support Panel Assembly, for Rear Seat Squab (31680/0704)		1	
10273	Cross Member, at bottom of Support Panel (11680/0702)		1	
10154	Parcel Shelf Panel Assembly (31680/0113)		1	
10272	Trunk Floor and Spare Wheel Well Assembly (31680/0703)		1	
9548	Bracket Assembly, mounting Rear Bumper, at rear (31330/0118)		2	
10274	Closing Plate, at top of R.H. Rear Frame Bracket (11680/0722)		1	
10275	Closing Plate, at top of L.H. Rear Frame Bracket (11680/0723)		1	
10276	Reinforcement Assembly, at R.H. side of Trunk Lid aperture (31680/0136)		1	
10277	Reinforcement Assembly, at L.H. side of Trunk Lid aperture (31680/0137)		1	
10155	R.H. Petrol Filler Box Assembly (31680/0132)		1	
10156	L.H. Petrol Filler Box Assembly (31680/0133)		1	
10278	R.H. Rear Wheel Arch Assembly (31680/0094)		1	
10279	L.H. Rear Wheel Arch Assembly (31680/0095)		1	
10280	Recess Panel Assembly, housing R.H. Petrol Tank (31680/0150)		1	
10281	Recess Panel Assembly, housing L.H. Petrol Tank (31680/0151)		1	
10282	Side Panel, for R.H. Petrol Tank Recess (11680/0726)		1	
10283	Side Panel, for L.H. Petrol Tank Recess (11680/0727)		1	
10284	Bracket, R.H. rear, fixing Petrol Tank Cradle (11680/0752)		1	
10285	Bracket, L.H. rear, fixing Petrol Tank Cradle (11680/0753)		1	
10286	Bracket, R.H. front, fixing Petrol Tank Cradle (11680/0754)		1	
10287	Bracket, L.H. front, fixing Petrol Tank Cradle (11680/0755)		1	
10252	UNDERFRAME ASSEMBLY (31681/0700)		1	FOR CARS FITTED WITH AUTOMATIC TRANSMISSION
10288	Dash Centre Assembly (31681/0027)		1	
10289	Front Floor Assembly (31681/0705)		1	

All other items are as for Underframe 10237

BODY UNDERFRAME

Part No.	Description	Plate No.	No. per Unit	Remarks
10253	SIDE MEMBER ASSEMBLY, R.H. (31680/0022)	76-1	1	
6584	Bracket Assembly, R.H. mounting Radiator at bottom (371/726)		1	
6979	Channel Assembly, fixing Front Bumper at R.H. side (371/732)		1	
6629	Support Plate, for Engine Mounting (171/843)		1	
6648	Bracket Assembly, mounting Front Suspension (371/754)		1	
6738	Front Jacking Tube Assembly, R.H. (371/714)	76-2	1	
10254	SIDE MEMBER ASSEMBLY, L.H. (31680/0023)		1	
6585	Bracket Assembly, L.H., mounting Radiator at bottom (371/727)		1	
6980	Channel Assembly, fixing Front Bumper at L.H. side (371/733)		1	
6739	Front Jacking Tube Assembly, L.H. (371/715)		1	
	All other items are as for Side Member 10253			
6732	Closing Plate, for R.H. Side Member (371/166)	76-3	1	
6733	Closing Plate, for L.H. Side Member (371/167)		1	
10255	FRONT CROSS MEMBER ASSEMBLY (31680/0723)	76-4	1	
4130	Closing Plate, for Front Cross Member (171/754)	76-5	1	
4128	Brace, at R.H. side of Front Cross Member (171/752)	76-6	1	
4129	Brace, at L.H. side of Front Cross Member (171/753)		1	
10256	VALANCE ASSEMBLY, UNDER R.H. FRONT WING (31680/0088)	76-7	1	
6749	Support Assembly, for R.H. side of Radiator Block (371/140)	76-8	1	
10290	Filler Panel, from R.H. Wing Valance to Grille Opening, lower (11680/0104)	76-9	1	
6719	Angle, R.H., for attachment of Facia Reinforcement (171/294)		1	
6717	Diagonal Stiffener, to R.H. 'A' Post (171/226)	76-10	1	
7244	Reinforcing Plate, R.H. Side Member (171/848)		1	
6694	Bracket, for Brake Hose (171/864)		1	
7811	Clip, for Wiring Harness (171/298)		2	
7092	Clip, for Wiring Harness (153/855)		4	
7313	Weld Nut, No. 10 UNF. (UWN.103/HG)		3	
7314	Weld Nut, 1/4" UNF. (UWN.163/HG)		8	
7312	Clinch Nut, 5/16" UNF. (UNF.201/X)		3	

BODY UNDERFRAME

Part No.	Description	Plate No.	No. per Unit	Remarks
BD.14155	COWL, ON OUTSIDE OF R.H. FRONT WING VALANCE, MOUNTING BRAKE SERVO		1	Fitted from Chassis No. 1B.1001 to 1B.2100 1B.25001 to 1B.25285 } 3-4 litre 1B.50001 to 1B.52036 } 3-8 litre 1B.75001 to 1B.76291 }
UFS.125/4R	Screw, Set, securing Cowl		4	Also fitted to Chassis No. 1B.52071, 1B.52074, } 1B.52080, 1B.52081, } 3-8 litre 1B.76309, 1B.76310, } 1B.76371 } See also Body Shell and Brake Controls
UFS.125/5R	Screw, Set, securing Cowl		4	
C.724	Washer, Shakeproof, on Setscrews		8	
FW.104/T	Washer, Plain, under Shakeproof Washers		8	
BD.27543	COWL, ON OUTSIDE OF R.H. FRONT WING VALANCE, MOUNTING BRAKE SERVO		1	Fitted to Chassis No. 1B.2101 and subs. } 3-4 litre 1B.25286 and subs. } 3-8 litre 1B.52037 and subs. } 1B.76292 and subs. }
DJZ.812/10C	Screw, Self-Tapping, securing Cowl to Valance		5	Except Chassis No. 1B.52071, 1B.52074, } 1B.52080, 1B.52081, } 3-8 litre 1B.76309, 1B.76310, } 1B.76371 } See also Body Shell and Brake Controls
BD.8536/3	Spire Nut, receiving Self-Tapping Screws		5	
UFS.825/5H	Screw, Set, securing Cowl to Valance		2	
C.724	Washer, Shakeproof, on Setscrews		2	
FW.104/T	Washer, Plain, under Shakeproof Washers and on Self-Tapping Screws		7	
10257	VALANCE ASSEMBLY, UNDER L.H. FRONT WING (31680/0089)	76-11	1	
6750	Support Assembly, for L.H. side of Radiator Block (371/141)		1	
10291	Filler Panel, from L.H. Wing Valance to Grille Opening, lower (11680/0105)	76-12	1	
6720	Angle, L.H., for attachment of Facia Reinforcement (171/295)		1	
6718	Longitudinal Stiffener, to L.H. 'A' Post (171/227)		1	
7245	Reinforcing Plate, L.H. Side Member (171/849)		1	
6694	Bracket, for Brake Hose (171/864)		1	
6729	Clip, for Air Intake Pipe (171/858)		1	
7092	Clip, for Wiring Harness (153/855)		7	
7313	Weld Nut, No. 10 UNF. (UWN.103/HG)		7	
7312	Clinch Nut, 5/16" UNF. (UNF.201/X)		3	
10159	Filler Panel, Valance to Grille Opening, upper (11680/0106)		1	Fitted from Chassis No. 1B.1001 to 1B.7567 } 3-4 litre 1B.25001 to 1B.26058 } 3-8 litre 1B.50001 to 1B.58790 } 1B.75001 to 1B.80105 }
11390	Filler Panel, Valance to Grille Opening, upper (11680/0241)		1	Fitted to Chassis No. 1B.7568 and subs. } 3-4 litre 1B.26059 and subs. } 3-8 litre 1B.58791 and subs. } 1B.80106 and subs. }
6731	Air Intake Tube, in L.H. Front Wing Valance (271/722)		1	
10258	DASH CENTRE ASSEMBLY (31680/0027)	76-13	1	FOR CARS FITTED WITH STANDARD OR OVERDRIVE TRANSMISSION
6895	Reinforcement, Dash, Front, R.H. (171/178)		1	
6896	Reinforcement, Dash, Front, L.H. (171/179)		1	

BODY UNDERFRAME

Part No.	Description	Plate No.	No. per Unit	Remarks
10288	DASH CENTRE ASSEMBLY (31681/0027) Individual items are as for Dash Centre Assembly 10258		1	FOR CARS FITTED WITH AUTOMATIC TRANSMISSION
C.8971	COVER PLATE, SEALING REDUNDANT PEDAL HOLE IN DASH (171/265)		1	
C.8957	Gasket, under Cover Plate		1	
UFS.125/5R	Screw, Set, securing Cover Plate		4	
UFN.125/L	Nut, on Setscrews		4	
C.724	Washer, Shakeproof, under Nuts		4	
FW.104/T	Washer, Plain, under Shakeproof Washers		4	
BD.10407	COVER PLATE, SEALING REDUNDANT STEERING COLUMN APERTURE IN DASH (171/231)		1	
BD.1814/2	Pop Rivet, securing Cover Plate		4	
10259	FRONT FLOOR ASSEMBLY (31680/0705)	76-14	1	FOR CARS FITTED WITH STANDARD OR OVERDRIVE TRANSMISSION
10292	Intermediate Cross Member Assembly (31680/0728)		1	
7003	Inner Panel, for R.H. Sill (171/704)		1	
7032	Inner Panel, for L.H. Sill (171/705)		1	
7004	Diaphragm, for Inner Sill Panels (171/766)		2	
10295	Rear Seat Pan Assembly (31680/0066)		1	
7901	Reinforcement, Floor to Seat Pan (171/862)		1	
10293	Bracket, fixing R.H. Main Exhaust Silencer at rear (11680/0226)		1	
10294	Bracket, fixing L.H. Main Exhaust Silencer at rear (11680/0227)		1	
10289	FRONT FLOOR ASSEMBLY (31681/0705) Individual items are as for Front Floor 10259		1	FOR CARS FITTED WITH AUTOMATIC TRANSMISSION
6587	Bracket Assembly, inner, mounting Front Seats (371/744)		4	
C.22337	HEAT SHIELD, FOR MAIN EXHAUST SILENCERS		2	
BD.1814/11	Pop Rivet, securing Heat Shields		8	

BODY UNDERFRAME

Part No.	Description	Plate No.	No. per Unit	Remarks
10292	INTERMEDIATE CROSS MEMBER ASSEMBLY (31680/0728)		1	
10296	Bracket Assembly, R.H., mounting Handbrake Shaft (31680/0720)		1	
10297	Bracket Assembly, L.H., mounting Handbrake Shaft (31680/0721)		1	
10157	INTERMEDIATE PANEL ASSEMBLY, FOR R.H. DOOR SILL (31680/0724)	76-15	1	
10158	INTERMEDIATE PANEL ASSEMBLY, FOR L.H. DOOR SILL (31680/0725)		1	
10264	SUPPORT PANEL ASSEMBLY, FOR REAR SEAT SQUAB (31680/0704)	76-16	1	
10273	CROSS MEMBER, AT BOTTOM OF SUPPORT PANEL (11680/0702)	76-17	1	
10154	PARCEL SHELF PANEL ASSEMBLY (31680/0113)	76-18	1	
10298	Fixing Plate Assembly, for R.H. Trunk Lid Hinge (31680/0102)		1	
10299	Fixing Plate Assembly, for L.H. Trunk Lid Hinge (31680/0103)		1	
BD.25828	COVER PLATE ASSEMBLY, AT CENTRE OF PARCEL SHELF		1	
BD.25829	COVER PLATE ASSEMBLY, AT ENDS OF PARCEL SHELF		2	

BODY UNDERFRAME

Part No.	Description	Plate No.	No. per Unit	Remarks
10272	TRUNK FLOOR AND SPARE WHEEL WELL ASSEMBLY (31680/0703)		1	
10300	Cross Member, for Trunk Floor (11680/0709)	76-19	1	
10301	Outer Panel, R.H., for Trunk Floor (11680/0718)	76-20	1	
10302	Outer Panel, L.H., for Trunk Floor (11680/0719)	76-21	1	
10303	Rear Panel, R.H., Outer, for Trunk Floor (11680/0742)	76-22	1	
10304	Rear Panel, L.H., Outer, for Trunk Floor (11680/0743)	76-23	1	
10305	Body Panel Assembly, Lower Rear Inner (31680/0707)	76-24	1	
10306	Support Bracket Assembly, for Jack Clamp (31680/0144)		1	
10307	Retaining Bracket, for Jack (11680/0210)		1	
10308	Spare Wheel Well (11680/0074)	76-25	1	
6984	Tapped Boss, receiving Spare Wheel Clamp Screw (271/711)		1	
10309	Forward Luggage Floor (11680/0703)	76-26	1	
10310	R.H. Rear Frame Bracket Assembly (31680/0708)		1	
10311	L.H. Rear Frame Bracket Assembly (31680/0709)		1	
10274	Closing Plate, at top of R.H. Rear Frame Bracket (11680/0722)		1	
10275	Closing Plate, at top of L.H. Rear Frame Bracket (11680/0723)		1	
9548	Bracket Assembly, mounting Rear Bumper at Rear (31330/0118)	76-27	2	
BD.26610	REINFORCEMENT AT SIDES OF FORWARD LUGGAGE FLOOR		2	
10305	BODY PANEL ASSEMBLY, LOWER REAR INNER (31680/0707)	76-24	1	
10470	Spring, receiving Dzus Stud (DZS.201/A)		1	
10471	Rivet, securing Spring (RS.083/R.03)		2	
10310	R.H. REAR FRAME BRACKET ASSEMBLY (31680/0708)	76-28	1	
10312	R.H. Rear Jacking Tube Assembly (31680/0712)	76-29	1	
10314	Bracket, lower, mounting Rear Suspension Bump Stop (11680/0706)	76-30	1	
10274	Closing Plate, at top of R.H. Rear Frame Bracket (11680/0722)	76-31	1	
10311	L.H. REAR FRAME BRACKET ASSEMBLY (31680/0709)		1	
10313	L.H. Rear Jacking Tube Assembly (31680/0713)		1	
10314	Bracket, lower, mounting Rear Suspension Bump Stop (11680/0706)		1	

BODY UNDERFRAME

Part No.	Description	Plate No.	No. per Unit	Remarks
BD.26611	REINFORCEMENT ASSEMBLY, UNDER REAR FRAME BRACKETS		2	
10276	REINFORCEMENT ASSEMBLY, AT R.H. SIDE OF TRUNK LID APERTURE (31680/0136)	76-32	1	
10277	REINFORCEMENT ASSEMBLY, AT L.H. SIDE OF TRUNK LID APERTURE (31680/0137)		1	
10155	R.H. PETROL FILLER BOX ASSEMBLY (31680/0132)	76-33	1	
10156	L.H. PETROL FILLER BOX ASSEMBLY (31680/0133)		1	
10278	R.H. REAR WHEEL ARCH ASSEMBLY (31680/0094)	76-34	1	
10315	Bracket, upper, mounting Rear Suspension Bump Stop (11680/0707)	76-35	1	
10279	L.H. REAR WHEEL ARCH ASSEMBLY (31680/0095)		1	
10315	Bracket, upper, mounting Rear Suspension Bump Stop (11680/0707)		1	
10280	RECESS PANEL ASSEMBLY, HOUSING R.H. PETROL TANK (31680/0150)	76-36	1	
10282	Side Panel, for R.H. Petrol Tank Recess (11680/0726)	76-37	1	
10284	Bracket, R.H. rear, fixing Petrol Tank Cradle (11680/0752)	76-38	1	
10286	Bracket, R.H. front, fixing Petrol Tank Cradle (11680/0754)	76-39	1	
10281	RECESS PANEL ASSEMBLY, HOUSING L.H. PETROL TANK (31680/0151)		1	
10283	Side Panel, for L.H. Petrol Tank Recess (11680/0727)		1	
10285	Bracket, L.H. rear, fixing Petrol Tank Cradle (11680/0753)		1	
10287	Bracket, L.H. front, fixing Petrol Tank Cradle (11680/0755)		1	

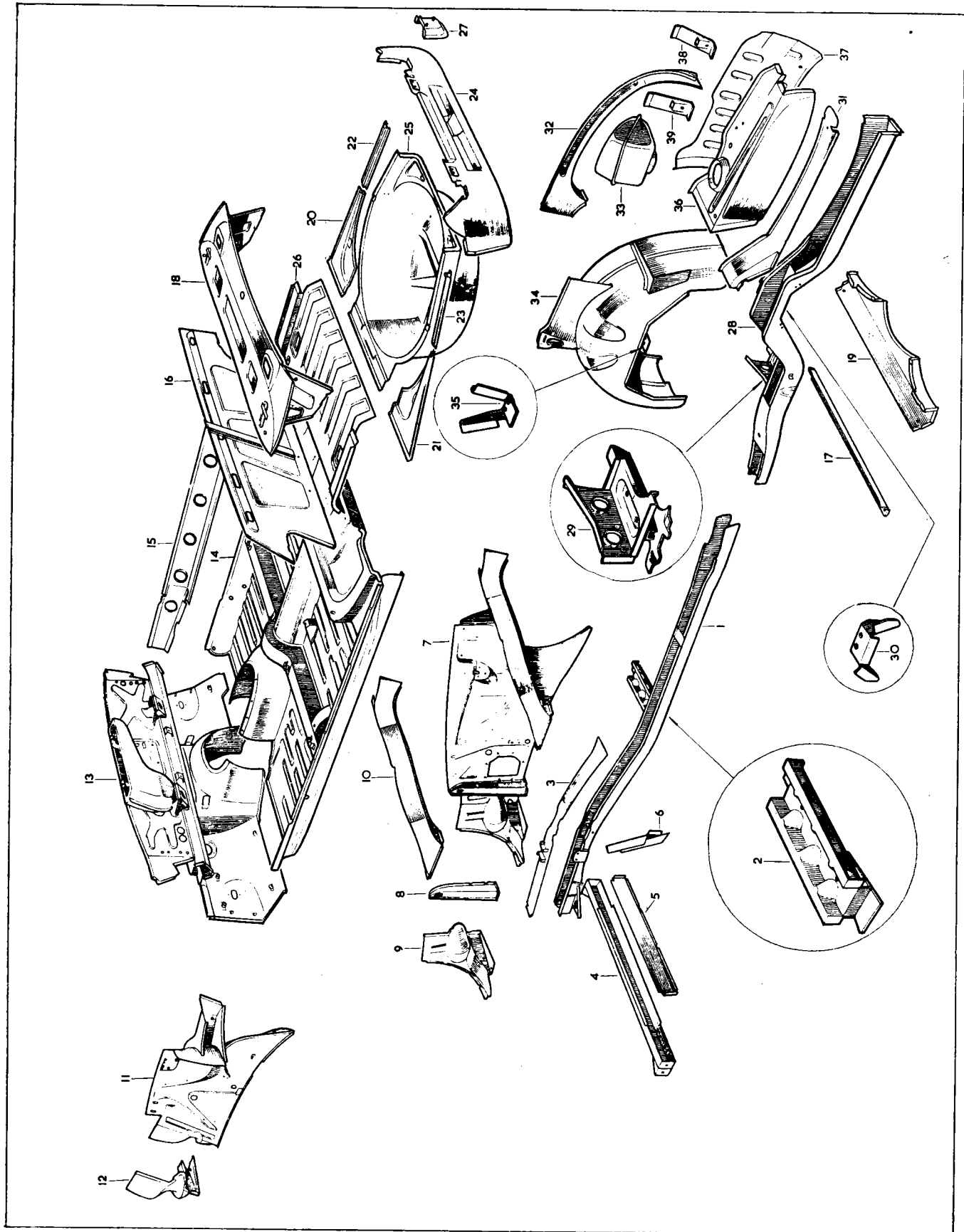


PLATE 76

BODY PANELS

Part No.	Description	Plate No.	No. per Unit	Remarks
11144	FRONT WING ASSEMBLY, R.H. (41680/1048)	77-1	1	
10529	Baffle, for R.H. Front Wing (10710/0186)		1	
11145	FRONT WING ASSEMBLY, L.H. (41680/1049)		1	
10530	Baffle, for L.H. Front Wing (10710/0187)		1	
6665	Capping Strip, for side of Front Wings (271/142)	77-2	2	
6666	Capping Strip, at front of Front Wings (271/143)	77-3	1	Fitted from Chassis No. 1B.1001 to 1B.7567 } 3-4 litre 1B.25001 to 1B.26058 } 1B.50001 to 1B.58790 } 3-8 litre 1B.75001 to 1B.80105 }
11391	Capping Strip, at front of Front Wings (21680/0115)		1	Fitted to Chassis No. 1B.7568 and subs. } 3-4 litre 1B.26059 and subs. } 1B.58791 and subs. } 3-8 litre 1B.80106 and subs. }
11452	PANEL ASSEMBLY, JOINING FRONT WINGS AT TOP (41680/0101)		1	Fitted from Chassis No. 1B.1001 to 1B.7567 } 3-4 litre 1B.25001 to 1B.26058 } 1B.50001 to 1B.58790 } 3-8 litre 1B.75001 to 1B.80105 }
11146	PANEL ASSEMBLY, JOINING FRONT WINGS AT TOP (11680/0241)		1	Fitted to Chassis No. 1B.7568 and subs. } 3-4 litre 1B.26059 and subs. } 1B.58791 and subs. } 3-8 litre 1B.80106 and subs. }
6602	STAY BRACKET, FOR R.H. FRONT WING (171/238)	77-4	1	
6603	STAY BRACKET, FOR L.H. FRONT WING (171/239)		1	
6604	GUSSET, REINFORCING R.H. STAY BRACKET (171/258)	77-5	1	
6605	GUSSET, REINFORCING L.H. STAY BRACKET (171/259)		1	

BODY PANELS

Part No.	Description	Plate No.	No. per Unit	Remarks
BD.11790	SEAL ASSEMBLY, FOR DIAPHRAGM AT REAR OF R.H. FRONT WING	77-6	1	
BD.10229	Rubber Seal		1	
BD.10405	Retainer, for Seal (171/236)		1	
BD.524/3	Bifurcated Rivet, securing Seal to Retainer		4	
BD.11789	SEAL ASSEMBLY, FOR DIAPHRAGM AT REAR OF L.H. FRONT WING		1	
BD.10229	Rubber Seal		1	
BD.10406	Retainer, for Seal (171/237)		1	
BD.524/3	Bifurcated Rivet, securing Seal to Retainer		4	
BD.1814/2	Pop Rivet, securing Seals to Body		12	
5100	BONNET ASSEMBLY (371/014)	77-7	1	Fitted from Chassis No. 1B.1001 to 1B.7567 } 3-4 litre 1B.25001 to 1B.26058 } 1B.50001 to 1B.58790 } 3-8 litre 1B.75001 to 1B.80105 }
11392	BONNET ASSEMBLY (31680/0014)		1	Fitted to Chassis No. 1B.7568 and subs. } 3-4 litre 1B.26059 and subs. } 1B.58791 and subs. } 3-8 litre 1B.80106 and subs. }
5144	BONNET HINGE ASSEMBLY, R.H. (271/116)	77-8	1	
BD.12751	Spring, on Hinge	77-9	1	
5145	BONNET HINGE ASSEMBLY, L.H. (271/117)		1	
BD.12751	Spring, on Hinge		1	
UFS.131/5R	Screw, Set, securing Hinges to Body (UMF.201/H.10)		6	
BD.13565/1	Screw, Set, securing Bonnet to Hinges (UCF.201/H.08)		4	
C.725	Washer, Shakeproof, on Setscrews (UWS.201)		10	
10316	Washer, Plain, under Shakeproof Washers (UWP.221/A)		10	
6626	REINFORCEMENT ASSEMBLY, FOR BONNET LOCK (371/160)	77-10	1	Fitted from Chassis No. 1B.1001 to 1B.7567 } 3-4 litre 1B.25001 to 1B.26058 } 1B.50001 to 1B.58790 } 3-8 litre 1B.75001 to 1B.80105 }

BODY PANELS

Part No.	Description	Plate No.	No. per Unit	Remarks
11389	REINFORCEMENT ASSEMBLY, FOR BONNET LOCK (31680/0162)		1	Fitted to Chassis No. 1B.7568 and subs. } 3-4 litre 1B.26059 and subs. } 1B.58791 and subs. } 3-8 litre 1B.80106 and subs. }
BD.12855	RETURN SPRING, FOR BONNET CATCH (271/147)	77-11	1	
BD.12852	STRIKER PLATE, FOR BONNET CATCH (271/158)	77-12	1	
BD.12853	CATCH PLATE, FOR BONNET CATCH (271/159)	77-13	1	
BD.18303	BASE PLATE, FOR BONNET CATCH (271/155)	77-14	1	Fitted from Chassis No. 1B.1001 to 1B.7567 } 3-4 litre 1B.25001 to 1B.26058 } 1B.50001 to 1B.58790 } 3-8 litre 1B.75001 to 1B.80105 }
11470	BASE PLATE, FOR BONNET CATCH (21680/0118)		1	Fitted to Chassis No. 1B.7568 and subs. } 3-4 litre 1B.26059 and subs. } 1B.58791 and subs. } 3-8 litre 1B.80106 and subs. }
BD.12854	SPACING BUSH, FOR BONNET CATCH (271/160)	77-15	2	
BD.18307/5 FG.104/X	Screw, Set, securing Base Plate Washer, Spring, on Setscrews		2 2	
6743	PEG ASSEMBLY, FOR BONNET CATCH (271/148)	77-16	1	Fitted from Chassis No. 1B.1001 to 1B.7567 } 3-4 litre 1B.25001 to 1B.26058 } 1B.50001 to 1B.58790 } 3-8 litre 1B.75001 to 1B.80105 }
11404	PEG ASSEMBLY, FOR BONNET CATCH (21680/0126)		1	Fitted to Chassis No. 1B.7568 and subs. } 3-4 litre 1B.26059 and subs. } 1B.58791 and subs. } 3-8 litre 1B.80106 and subs. }

BODY PANELS

Part No.	Description	Plate No.	No. per Unit	Remarks
6730	SAFETY HOOK ASSEMBLY, FOR BONNET CATCH (271/153)	77-17	1	
780	Spring, for Safety Hook	77-18	1	
782	Pin, through Safety Hook (253/821)	77-19	1	
6721	COVER PLATE, VALANCE TO GRILLE OPENING (171/327)	77-20	1	
10317	Screw, Set, securing Cover Plate (UCA.103/P.06)		2	
C.723/A	Washer, Shakeproof, on Setscrews (UWS.121)		2	
6627	CLOSING PLATE, JOINING FRONT WINGS UNDER RADIATOR GRILLE APERTURE (171/758)	77-21	1	
5117	LID ASSEMBLY, FOR SCUTTLE VENTILATOR (371/100)	77-22	1	
7988	Distance Piece, between Lid and Hinge Arms (271/230)	77-23	2	
10318	Washer, Plain, at each side of Hinge Arms (UWP.141/A)		4	
UFN.119/L	Nut, securing Ventilator Lid to Hinge Arms (UNF.101/H)		2	
C.723/A	Washer, Shakeproof, under Nuts (UWS.121)		2	
BD.25759	GAUZE, FOR SCUTTLE VENTILATOR LID (21680/0113)	77-24	1	Fitted from Chassis No. 1B.1001 to 1B.3231 } 3-4 litre 1B.25001 to 1B.25465 } 1B.50001 to 1B.53493 } 3-8 litre 1B.75001 to 1B.77353 } See also Body Shell and Body Fittings
BD.19311/3	Screw, Set, securing Gauze		3	
C.723/A	Washer, Shakeproof, on Setscrews		3	
AW.102/T	Washer, Plain, under Shakeproof Washers		3	
BD.27952	GAUZE, FOR SCUTTLE VENTILATOR LID		1	Fitted to Chassis No. 1B.3232 and subs. } 3-4 litre 1B.25466 and subs. } 1B.53494 and subs. } 3-8 litre 1B.77354 and subs. } See also Body Shell and Body Fittings
UFS.819/4H	Screw, Set, securing Gauze		3	
C.723/A	Washer, Shakeproof, on Setscrews		3	
AW.102/T	Washer, Plain, under Shakeproof Washers		3	
8152	WINDSCREEN RAIL, LOWER R.H. (371/1134)	77-25	1	
8153	WINDSCREEN RAIL, LOWER L.H. (371/1135)		1	

BODY PANELS

Part No.	Description	Plate No.	No. per Unit	Remarks
10241	REINFORCEMENT ASSEMBLY, FOR FACIA (31680/0138)	77-26	1	
8437	CLOSING PANEL, AT R.H. SIDE OF WINDSCREEN (171/1166)	77-27	1	
8438	CLOSING PANEL, AT L.H. SIDE OF WINDSCREEN (171/1167)		1	
8147	WINDSCREEN HEADER PANEL ASSEMBLY (371/1116)	77-28	1	
8148	Tapped Plate, fixing Interior Mirror (271/241)		1	
8149	Tapped Plate, fixing Sun Visors (171/180)		2	
8150	Retainer, for Sun Visor Tapped Plates (171/116)		2	
10240	ROOF PANEL (11680/0003)	77-29	1	
10238	BODY SIDE ASSEMBLY, R.H. (31680/0010)		1	
8128	'A' Post Panel Assembly, R.H. (371/1128)		1	
6786	Dash Side Panel Assembly, R.H. (31680/0726)		1	
10143	'B/C' Post Panel Assembly, R.H. (31680/0114)		1	
10319	Spacer Assembly, for R.H. 'B/C' Post (31680/0120)		1	
10145	'D' Post Panel Assembly, R.H. (31680/0116)		1	
10321	Drip Moulding, R.H. front (11680/0122)		1	
10322	Drip Moulding, R.H. rear (11680/0120)		1	
10323	Cantrail Panel, R.H. (11680/0130)		1	
10152	Door Sill Panel, R.H. (11680/0124)		1	
7712	Retainer, for R.H. Door Seals (171/166)		3	
10239	BODY SIDE ASSEMBLY, L.H. (31680/0011)		1	
8129	'A' Post Panel Assembly, L.H. (371/1129)		1	
6787	Dash Side Panel Assembly, L.H. (31680/0727)		1	
10144	'B/C' Post Panel Assembly, L.H. (31680/0115)		1	
10320	Spacer Assembly, for L.H. 'B/C' Post (31680/0121)		1	
10146	'D' Post Panel Assembly, L.H. (31680/0117)		1	
10324	Drip Moulding, L.H. front (11680/0123)		1	
10325	Drip Moulding, L.H. rear (11680/0121)		1	
10326	Cantrail Panel, L.H. (11680/0131)		1	
10153	Door Sill Panel, L.H. (11680/0125)		1	
7713	Retainer, for L.H. Door Seals (171/167)		3	

BODY PANELS

Part No.	Description	Plate No.	No. per Unit	Remarks
8128	'A' POST PANEL ASSEMBLY, R.H. (371/1128)	77-30	1	
8129	'A' POST PANEL ASSEMBLY, L.H. (371/1129)		1	
6786	DASH SIDE PANEL ASSEMBLY, R.H. (371/028)	77-31	1	
6787	DASH SIDE PANEL ASSEMBLY, L.H. (371/029)		1	
7358 UFS.119/3R AG.102/X	Cover Plate, Dash Side (171/235) Screw, Set, securing Cover Plates (UCA.101/H.06) Washer, Spring, on Setscrews (UWL.121/M)	77-32	2 8 8	
10143	'B/C' POST PANEL ASSEMBLY, R.H. (31680/0114)	77-33	1	
6981	Bracket, fixing Rear Door Check Arm (171/118)		1	
10319	Spacer Assembly, for R.H. 'B/C' Post (31680/0120)	77-34	1	
10144	'B/C' POST PANEL ASSEMBLY, L.H. (31680/0115)		1	
6981	Bracket, fixing Rear Door Check Arm (171/118)		1	
10320	Spacer Assembly, for L.H. 'B/C' Post (31680/0121)		1	
10145	'D' POST PANEL ASSEMBLY, R.H. (31680/0116)	77-35	1	
10244	Reinforcement, closing R.H. 'D' Post (11680/0116)	77-36	1	
10246	Spacer, for R.H. 'D' Post, lower (11680/0180)	77-37	1	
10146	'D' POST PANEL ASSEMBLY, L.H. (31680/0117)		1	
10245	Reinforcement, closing L.H. 'D' Post (11680/0117)		1	
10247	Spacer, for L.H. 'D' Post, lower (11680/0181)		1	

BODY PANELS

Part No.	Description	Plate No.	No. per Unit	Remarks
10152	DOOR SILL PANEL, R.H. (11680/0124)	77-38	1	
7712	Retainer, for R.H. Door Seals (171/166)	77-39	3	
10153	DOOR SILL PANEL, L.H. (11680/0125)		1	
7713	Retainer, for L.H. Door Seals (171/167)		3	
10321	DRIP MOULDING, R.H. FRONT (11680/0122)	77-40	1	
10322	DRIP MOULDING, R.H. REAR (11680/0120)	77-41	1	
10324	DRIP MOULDING, L.H. FRONT (11680/0123)		1	
10325	DRIP MOULDING, L.H. REAR (11680/0121)		1	
10323	CANTRAIL PANEL, R.H. (11680/0130)	77-42	1	
10242	Reinforcement, closing R.H. Cantrail at centre (11680/0118)	77-43	1	
10326	CANTRAIL PANEL, L.H. (11680/0131)		1	
10243	Reinforcement, closing L.H. Cantrail at centre (11680/0119)		1	
10248	REINFORCEMENT ASSEMBLY, AT TOP AND SIDES OF BACKLIGHT (31680/0110)	77-44	1	
10249	REINFORCEMENT, LOWER, FOR BACKLIGHT (11680/0114)	77-45	1	

BODY PANELS

Part No.	Description	Plate No.	No. per Unit	Remarks
10135	DOOR SHELL ASSEMBLY, R.H. FRONT (41680/0040)	77-46	1	
8158	Felt, for Glass Stop (271/1116)		1	
10327	Guide Spring, for Front Door Check Arm (230/1393)	77-47	1	
7322	Rivet, securing Guide Spring (RT.122/007)		2	
7321	Reinforcement Bracket, for Check Arm (171/323)	77-48	1	
10136	DOOR SHELL ASSEMBLY, L.H. FRONT (41680/0041)		1	
	Individual items are as for R.H. Front Door Shell 10135			
5154	LOWER HINGE, FOR R.H. FRONT DOOR (271/216)	77-49	1	
5153	UPPER HINGE, FOR R.H. FRONT DOOR (271/217)	77-50	1	
5154	UPPER HINGE, FOR L.H. FRONT DOOR (271/216)		1	
5153	LOWER HINGE, FOR L.H. FRONT DOOR (271/217)		1	
7959	Grease Nipple, on Door Hinges (271/229)	77-51	4	
1490	Screw, Set, securing Hinges to Front Doors (230/381)		12	
BD.18351/1	Shim, behind Front Door Hinges (.022" thick)		As req'd	
BD.18351/2	Shim, behind Front Door Hinges (.036" thick)		As req'd	
6784	Screw, Set, securing Front Door Hinges to 'A' Posts (UCF.201/H.10)		4	
FG.105/X	Washer, Spring, on Setscrews (UWL.201/M)		4	
6785	Screw, Set (Phillips Head) securing Front Door Hinges to 'A' Posts (UCF.203/QR.08)		8	
BD.11806	Shroud, for Water Drain Holes at bottom of Doors	77-52	8	
BD.1814/1	Pop Rivet, securing Shrouds		16	
8167	CHECK ARM ASSEMBLY, FOR FRONT DOORS (271/1100)	77-53	2	
7024	Pin, securing Front Door Check Arms (271/210)	77-54	2	
L.102/5U	Split Pin, retaining Check Arm Pins (PCS.043/10)		2	
BD.19575	Wavy Washer, on Check Arm (20300/1424)		2	

BODY PANELS

Part No.	Description	Plate No.	No. per Unit	Remarks
10137	DOOR SHELL ASSEMBLY, R.H. REAR (41680/0046)	77-55	1	
10328	Felt, for Glass Stop (271/1118)		1	
10327	Guide Spring, for Rear Door Check Arm (230/1393)	77-56	1	
7322	Rivet, securing Guide Spring (RT.122/007)		2	
7321	Reinforcement Bracket, for Check Arm (171/323)	77-57	1	
10138	DOOR SHELL ASSEMBLY, L.H. REAR (41680/0047)		1	
	Individual items are as for R.H. Rear Door Shell 10137			
5151	LOWER HINGE, FOR R.H. REAR DOOR (271/212)	77-58	1	
8163	UPPER HINGE, FOR R.H. REAR DOOR (271/1104)	77-59	1	
5152	LOWER HINGE, FOR L.H. REAR DOOR (271/213)		1	
8164	UPPER HINGE, FOR L.H. REAR DOOR (271/1105)		1	
7959	Grease Nipple, on Door Hinges (271/229)	77-60	4	
1490	Screw, Set, securing Lower Hinges to Doors (230/381)		6	
9725	Screw, Set, securing Upper Hinges to Doors (UCF.203/QR.16)		8	
8166	Shim, for Upper Hinge (171/1202)	77-61	6	
BD.11806	Shroud, for Water Drain Holes at bottom of Doors	77-62	8	
BD.17989	Filler Piece, on Hinge face of L.H. Rear Door, seating Door Seal		1	
BD.17990	Filler Piece, on Hinge face of R.H. Rear Door, seating Door Seal	77-63	1	
BD.1814/1	Pop Rivet, securing Shrouds and Filler Pieces		20	
6785	Screw, Set (Phillips Head) securing Rear Door Hinges to 'B/C' Posts (UCF.203/QR.08)		12	
5141	CHECK ARM ASSEMBLY, FOR REAR DOORS (271/100)	77-64	2	
7024	Pin, securing Rear Door Check Arms (271/210)	77-65	2	
L.102/5U	Split Pin, retaining Check Arm Pins (PCS.043/10)		2	
BD.19575	Wavy Washer, on Check Arm Pins		2	

BODY PANELS

Part No.	Description	Plate No.	No. per Unit	Remarks
10250	TONNEAU PANEL, BEHIND BACKLIGHT (11680/0175)	77-66	1	
10141	REAR WING ASSEMBLY, R.H. (31680/0050)	77-67	1	
10142	REAR WING ASSEMBLY, L.H. (31680/0051)		1	
9549	Bracket Assembly, mounting Rear Bumper at sides (31330/0228)	77-68	2	
10133	PETROL FILLER DOOR ASSEMBLY, R.H. (31680/0128)	77-69	1	
10134	PETROL FILLER DOOR ASSEMBLY, L.H. (31680/0129)		1	
10148	HINGE BRACKET AND ARM ASSEMBLY, FOR PETROL FILLER DOORS (31680/0126)	77-70	2	
10149	Spring, for Petrol Filler Doors (21680/0107)	77-71	2	
10329	Screw, Set, securing Arms to Petrol Filler Doors (UMA.101/H.07)		4	
UFN.119/L	Nut, securing Hinge Brackets to Petrol Filler Boxes (UNF.101/H)		6	
C.723/A	Washer, Shakeproof, on Setscrews and under Nuts (UWS.121)		10	
10318	Washer, Plain, under Shakeproof Washers (UWP.141/A)		10	
10132	TRUNK LID ASSEMBLY (31680/0085)	77-72	1	
BD.19783	Cover Plate, for Lock Mechanism Brackets on Trunk Lid (11330/0334)	77-73	2	
10150	HINGE ASSEMBLY, R.H., FOR TRUNK LID (21680/0100)	77-74	1	

BODY PANELS

Part No.	Description	Plate No.	No. per Unit	Remarks
10151	HINGE ASSEMBLY, L.H., FOR TRUNK LID (21680/0101)		1	
10063	Clamp, securing Hinge Torsion Bars at centre	77-75	2	
UFS.131/6R	Screw, Set, through Clamps		1	
UFN.131/L	Nut, on Setscrew		1	
C.725	Washer, Shakeproof, under Nut		1	
UFS.131/4R	Screw, Set, securing Trunk Lid Hinges to Body (UMF.201/H.08)		8	
C.725	Washer, Shakeproof, on Setscrews (UWS.201)		8	
9443	ATTACHMENT BRACKET, FOR TRUNK LID HINGES (11330/0105)	77-76	2	
UFS.131/5R	Screw, Set, securing Brackets to Trunk Lid (UMF.201/H.10)		4	
C.725	Washer, Shakeproof, on Setscrews (UWS.201)		4	
10316	Washer, Plain, under Shakeproof Washers (UWP.221/A)		4	
UFS.131/9R	Screw, Set, securing Brackets to Hinges (UMF.201/H.18)		4	
10316	Washer, Plain, on Setscrews (UWP.221/A)		8	
UFN.131/L	Nut, on Setscrews (UNF.201/H)		4	
C.725	Washer, Shakeproof, under Nuts (UWS.201)		4	
10147	SPARE WHEEL COVER ASSEMBLY (31680/0076)	77-77	1	
10468	Dzus Stud (Ring Head) securing Spare Wheel Cover (21680/0704)		1	
10469	Grommet, retaining Dzus Stud to Spare Wheel Cover (DZG.206/A)		1	
BD.28269	Prop, supporting Spare Wheel Cover in open position		1	See also Body Shell
10251	BODY PANEL ASSEMBLY, LOWER REAR OUTER (31680/0002)	77-78	1	
BD.25977	TAIL PANEL ASSEMBLY (COMPLETE WITH EXHAUST PIPE CUT-OUT) (21680/0114)	77-79	1	
SEALING PLUGS				
BD.15588/5	Plastic Plug, sealing redundant Accelerator fixings and Drain Holes in Spare Wheel Well and Rear Seat Pan	77-80	7	
BD.15588/10	Plastic Plug, in Rear Wheel Arches		2	
BD.22756	Plastic Plug, sealing Seat Belt Attachment Points	77-81	8	Not required when Safety Harness is fitted
BD.25919	Plastic Plug, sealing redundant fixing holes in Floor	77-82	4	6 required when Automatic Transmission is fitted
BD.4616	Rubber Plug, sealing Reservoir mounting holes in Front Wing Valances	77-83	4	1 required when Power-Assisted Steering is fitted
BD.12309/1	Rubber Plug (Mushroom Head) sealing redundant holes in Body	77-84	See remarks	4 required for R.H. Drive 6 required for L.H. Drive
BD.14771	Rubber Plug, in R.H. Dash Side	77-85	1	
C.4928	Rubber Plug, in Jacking Tubes	77-86	4	
C.13931	Rubber Plug, in Accelerator Tube	77-87	1	L.H. Drive Cars only
BD.25150	Steel Plug (3/8" diameter) sealing Drain Holes	77-88	6	
BD.25150	Steel Plug (3/8" diameter) sealing Drain Holes	77-89	15	
BD.19721	Steel Plug (1/8" diameter) sealing Drain Holes	77-90	6	

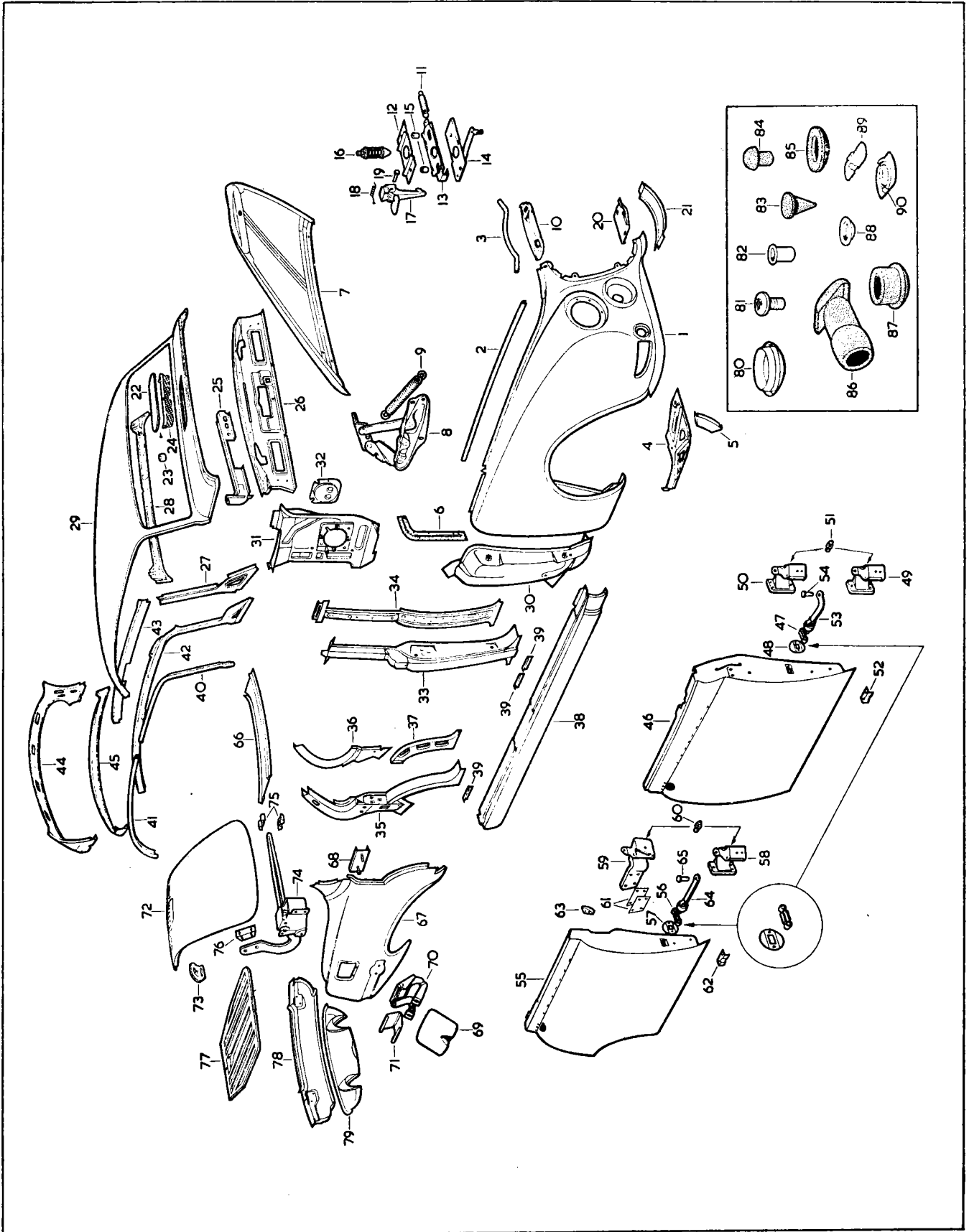


PLATE 77

BODY FITTINGS

Part No.	Description	Plate No.	No. per Unit	Remarks
BD.25273	FRONT BUMPER COMPLETE		1	
BD.23851	Bar Assembly only, for Front Bumper	78-1	1	
BD.23960	Inner Bracket, at L.H. Side of Front Bumper	78-2	1	
BD.23961	Inner Bracket, at R.H. Side of Front Bumper	78-3	1	
UFS.143/7R	Screw, Set, securing Inner Brackets to Bumper		2	
UFN.143/L	Nut, on Setscrews		2	
C.727	Washer, Shakeproof, under Nuts		2	
FW.107/T	Washer, Plain, under Shakeproof Washers		2	
BD.23962	Outer Bracket, at L.H. Side of Front Bumper	78-4	1	
BD.23963	Outer Bracket, at R.H. Side of Front Bumper	78-5	1	
UFS.137/7R	Screw, Set, securing Outer Brackets to Bumper		2	
UFN.137/L	Nut, on Setscrews		2	
C.726	Washer, Shakeproof, under Nuts		2	
FW.106/T	Washer, Plain, under Shakeproof Washers		2	
BD.26635	L.H. Override Assembly	78-6	1	
BD.26636	R.H. Override Assembly	78-7	1	
BD.25318	Beading, between Overrides and Bumper	78-8	4	
BD.21173	Stud, fixing Overrides to Bumper (70/51704)	78-9	2	
BD.11006	Grip Nut, retaining Studs (RM.59592)	78-10	2	
BD.21174	Spacer, on Studs (X/70/51682)	78-11	2	
UFN.137/L	Nut, securing Overrides		2	
FG.106/X	Washer, Spring, under Nuts		2	
FW.206/T	Washer, Plain, under Spring Washers		2	
UFS.143/8R	Screw, Set, securing Front Bumper to Underframe		8	
C.727	Washer, Shakeproof, on Setscrews		8	
FW.107/T	Washer, Plain, under Shakeproof Washers		8	
BD.25340	FRONT NUMBER PLATE CARRIER ASSEMBLY	78-12	1	} NOT REQUIRED FOR U.S.A.
BD.25319	Carrier Bracket	78-13	2	
UFS.431/5H	Screw, Set, securing Carrier Brackets to Number Plate Carrier		4	
UFN.131/L	Nut, on Setscrews		4	
C.725	Washer, Shakeproof, under Nuts		4	
FW.105/T	Washer, Plain, under Shakeproof Washers		4	
UFS.131/5R	Screw, Set, securing Carrier Brackets to Bumper		2	
UFN.131/L	Nut, on Setscrews		2	
FG.105/X	Washer, Spring, under Nuts		2	
FW.105/T	Washer, Plain, under Spring Washers		2	
BD.25894	FRONT NUMBER PLATE CARRIER		1	} FOR CARS EXPORTED TO U.S.A. ONLY Fitted to Chassis No. 1B.25856 and subs. 1B.79336 and subs.
BD.29239	Carrier Bracket		1	
UFS.431/5H	Screw, Set, securing Number Plate Carrier to Carrier Bracket		1	
UFS.431/8H	Screw, Set, securing Carrier Bracket to Front Bumper		1	
FW.105/T	Washer, Plain, on Setscrews		3	
C.19317	Distance Piece, on Setscrew		1	
UFN.131/L	Nut, on Setscrews		2	
C.725	Washer, Shakeproof, under Nuts		2	
BD.26050	GRILLE ASSEMBLY, IN FOG LAMP RECESSES	78-14	2	} FOR CARS EXPORTED TO SWITZERLAND OR U.S.A.
BD.26355	Packing Piece, behind Grilles	78-15	2	
BD.27396	Bracket, fixing Grilles at bottom	78-16	2	
BD.1814/6	Pop Rivet, securing Brackets to Front Wing		4	
DJ.610/8S	Screw, Self-Tapping, securing Grilles at top		2	
DZ.406/6S	Screw, Self-Tapping, securing Grilles at bottom		2	
BD.26353	Washer Plate, at bottom fixings		2	

BODY FITTINGS

Part No.	Description	Plate No.	No. per Unit	Remarks
BD.25550	SURROUND ASSEMBLY, FOR RADIATOR GRILLE	78-17	1	
BD.25552	RADIATOR GRILLE ASSEMBLY (LESS CENTRE VANE)	78-18	1	Fitted from Chassis No. 1B.1001 to 1B.2088 } 3-4 litre 1B.25001 to 1B.25283 } 1B.50001 to 1B.52033 } 3-8 litre 1B.75001 to 1B.76276 }
BD.27440	RADIATOR GRILLE ASSEMBLY (LESS CENTRE VANE)		1	Fitted to Chassis No. 1B.2089 and subs. } 3-4 litre 1B.25284 and subs. } 1B.52034 and subs. } 3-8 litre 1B.76277 and subs. }
UFN.119/L	Nut, securing Radiator Grille to Surround		4	
C.723/A	Washer, Shakeproof, under Nut		4	
AW.102/T	Washer, Plain, under Shakeproof Washer		4	
UFS.119/4R 1744	Screw, Set, securing Radiator Grille at Top	78-19	1	
C.723/A	Cup Washer, on Setscrew		1	
BD.17150	Washer, Shakeproof, under Cup Washer		1	
UFN.119/L	Fixing Strip, securing Radiator Grille to Body	78-20	5	
C.723/A	Nut, securing Radiator Grille to Body		5	
	Washer, Shakeproof, under Nuts		5	
BD.27436	CENTRE VANE AND BOSS ASSEMBLY	78-21	1	
UFS.419/2H	Screw, Set, securing Centre Vane to top of Radiator Surround		1	
C.723/A	Washer, Shakeproof, on Setscrew		1	
AW.102/T	Washer, Plain, under Shakeproof Washer		1	
UFS.119/2R	Screw, Set, securing Centre Vane to bottom of Radiator Surround		2	
C.723/A	Washer, Shakeproof, on Setscrews		2	
BD.12448	BADGE, IN CENTRE OF RADIATOR GRILLE	78-22	1	3-4 LITRE CARS ONLY
BD.17736	BADGE, IN CENTRE OF RADIATOR GRILLE		1	3-8 LITRE CARS ONLY
BD.11499	Backing Piece, behind Badge (7/9752)	78-23	1	
BD.25712	Spring Clip, retaining Badge in Centre Vane	78-24	1	
BD.11501	Screw, Self-Tapping, securing Spring Clip		2	
BD.26510	FINISHER FOR RADIATOR GRILLE APERTURE (LOWER)	78-25	1	
BD.1814/2	Pop Rivet, securing Finisher		2	

BODY FITTINGS

Part No.	Description	Plate No.	No. per Unit	Remarks
BD.25969	COVER PLATE ON UNDERFRAME FRONT CROSS MEMBER	78-26	1	
DAZ.410/6C AW.102/T	Screw, Self-Tapping, securing Cover Plate Washer, Plain, on Screws		6 6	
BD.10224	RUBBER BUFFER, AT FRONT CORNERS OF BONNET		2	
UFS.131/6R UFN.231/L	Screw, Set, securing Rubber Buffers Locknut, on Setscrews		2 2	
BD.4920/3	REST RUBBER, AT REAR OF BONNET	78-27	1	
BD.10221	CONTROL WIRE, COMPLETE, OPERATING BONNET LOCK	78-28	1	
C.4443 C.3880 FW.104/T UFN.125/L C.724	Adjuster, for Bonnet Lock Control Abutment, for Cable Adjuster Washer, Plain, at bottom of Abutment Nut, securing Abutment Washer, Shakeproof, under Nut	78-29 78-30	1 1 1 1 1	
BD.26568	INSULATING PAD (GLASS FIBRE) AT R.H. SIDE OF BONNET		1	
BD.26567	INSULATING PAD (GLASS FIBRE) AT L.H. SIDE OF BONNET		1	
BD.26566 BD.1814/2	Retaining Strip, for Insulating Pads at rear Pop Rivet, securing Strips to Bonnet		2 6	
BD.25231	R.H. SUN VISOR ASSEMBLY, COMPLETE	78-31	1	FOR R.H. DRIVE CARS Fitted from Chassis No. 1B.1001 to 1B.8772 3-4 litre 1B.50001 to 1B.59546 3-8 litre
BD.25219 BD.24165	Sun Visor Assembly Friction Pivot Assembly		1 1	
BD.26703	L.H. SUN VISOR ASSEMBLY, COMPLETE	78-32	1	
BD.26701 BD.24165	Sun Visor Assembly, with Vanity Mirror Friction Pivot Assembly		1 1	

BODY FITTINGS

Part No.	Description	Plate No.	No. per Unit	Remarks
BD.26702	R.H. SUN VISOR ASSEMBLY, COMPLETE		1	FOR L.H. DRIVE CARS Fitted from Chassis No. 1B.25001 to 1B.26243 3-4 litre 1B.75001 to 1B.80299 3-8 litre
BD.26700	Sun Visor Assembly, with Vanity Mirror		1	
BD.24165	Friction Pivot Assembly		1	
BD.25231	L.H. SUN VISOR ASSEMBLY, COMPLETE		1	
BD.25219	Sun Visor Assembly		1	
BD.24165	Friction Pivot Assembly		1	
BD.32237	R.H. SUN VISOR ASSEMBLY, COMPLETE		1	FOR R.H. DRIVE CARS Fitted to Chassis No. 1B.8773 and subs. 3-4 litre 1B.59547 and subs. 3-8 litre
BD.32234	Sun Visor Assembly		1	
BD.24165	Friction Pivot Assembly		1	
BD.32238	L.H. SUN VISOR ASSEMBLY, COMPLETE		1	
BD.32233	Sun Visor Assembly, with Vanity Mirror		1	
BD.24165	Friction Pivot Assembly		1	
BD.32236	R.H. SUN VISOR ASSEMBLY, COMPLETE		1	FOR L.H. DRIVE CARS Fitted to Chassis No. 1B.26244 and subs. 3-4 litre 1B.80300 and subs. 3-8 litre
BD.32232	Sun Visor Assembly, with Vanity Mirror		1	
BD.24165	Friction Pivot Assembly		1	
BD.32237	L.H. SUN VISOR ASSEMBLY, COMPLETE		1	
BD.32233	Sun Visor Assembly		1	
BD.24165	Friction Pivot Assembly		1	
BD.24165	FRICITION PIVOT ASSEMBLY	78-33	2	
BD.24166	Friction Arm Assembly		2	
BD.17713	Base, for Friction Arm		2	
BD.9635	Spring, for Friction Arm		2	
BD.541/32	Washer, Special, on Friction Arms		4	
C.8737/1	Nut, Self-Locking, securing Friction Arms		2	
BD.13642/3	Screw, Set, securing Sun Visors		6	
C.2017/1	Packing Washer, for Base		As req'd	

BODY FITTINGS

Part No.	Description	Plate No.	No. per Unit	Remarks
BD.28586	WINDSCREEN GLASS (TOUGHENED)	78-34	1	Fitted from Chassis No. 1B.1001 to 1B.8323 } 3-4 litre 1B.25001 to 1B.26207 } 1B.50001 to 1B.59200 } 3-8 litre 1B.75001 to 1B.80264 }
BD.26130	WINDSCREEN GLASS ('SUNDYM' LAMINATED)	78-34	1	SUPPLIED TO SPECIAL ORDER ONLY Fitted from Chassis No. 1B.1001 to 1B.8323 } 3-4 litre 1B.25001 to 1B.26207 } 1B.50001 to 1B.59200 } 3-8 litre 1B.75001 to 1B.80264 }
BD.29575	WINDSCREEN GLASS (LAMINATED)	78-34	1	Fitted to Chassis No. 1B.8324 and subs. } 3-4 litre 1B.26208 and subs. } 1B.59201 and subs. } 3-8 litre 1B.80265 and subs. }
BD.29575/1	WINDSCREEN GLASS ('SUNDYM' LAMINATED)	78-34	1	SUPPLIED TO SPECIAL ORDER ONLY Fitted to Chassis No. 1B.8324 and subs. } 3-4 litre 1B.26208 and subs. } 1B.59201 and subs. } 3-8 litre 1B.80265 and subs. }
BD.29575/2	WINDSCREEN GLASS (SHADED 'SUNDYM' LAMINATED)	78-34	1	
BD.28231	RUBBER SEAL, FOR WINDSCREEN GLASS	78-35	1	
BD.17291	RUBBER INSERT, FOR SEAL (121" LONG)	78-36	1	
BD.16910	CHROMIUM PLATED FINISHER, R.H., FOR WINDSCREEN	78-37	1	
BD.16909	CHROMIUM PLATED FINISHER, L.H., FOR WINDSCREEN	78-38	1	

BODY FITTINGS

Part No.	Description	Plate No.	No. per Unit	Remarks
BD.5366	JOINT PIECE, AT CENTRE OF CHROMIUM FINISHERS	78-39	2	
BD.21181	LICENCE HOLDER, ON WINDSCREEN	78-40	1	
C.20697	INTERIOR MIRROR, ON WINDSCREEN HEADER PANEL	78-41	1	
C.20697/1	Base only		1	
C.16407/2	Head		1	
BD.13642/2	Screw, Set, securing Mirror to Windscreen Header Panel		3	
BD.29607	STAINLESS STEEL FINISHER, ON R.H. 'A' POST	78-42	1	
BD.29608	STAINLESS STEEL FINISHER, ON L.H. 'A' POST	78-43	1	
BD.26064	GEARBOX COVER	78-44	1	
DJZ.412/10C	Screw, Self-Tapping, securing Gearbox Cover to Floor		11	
BD.542/3	Washer, Special, on Self-Tapping Screws		11	
BD.8536/3	Spire Nut, on Self-Tapping Screws		11	
BD.14134	RUBBER GROMMET, ON GEARBOX COVER, FOR CHANGE SPEED LEVER	78-45	1	NOT REQUIRED FOR CARS EQUIPPED WITH AUTOMATIC TRANSMISSION
BD.26154	Retaining Ring, holding Grommet to Gearbox Cover	78-46	1	
DAZ.406/8C	Screw, Self-Tapping, securing Retaining Ring to Gearbox Cover		6	
BD.27266	COVER PLATE, AT SIDE OF GEARBOX TUNNEL		1	
BD.27627	Gasket (Neoprene) under Cover Plate		1	
DZZ.410/8C	Screw, Self-Tapping, securing Cover Plate		4	
BD.29647	RUBBER PLUG, IN GEARBOX TUNNEL, FOR STARTER MOTOR ACCESS		2	

BODY FITTINGS

Part No.	Description	Plate No.	No. per Unit	Remarks
BD.26735	RUBBER SEAL, FOR RECIRCULATING DOOR, ON SCUTTLE FACE PANEL		1	
BD.9876	RUBBER SEAL, FOR VENTILATOR LID, AT TOP OF SCUTTLE	78-47	1	
BD.10370	Drain Tube, for Ventilator		1	
BD.27772	SHROUD ASSEMBLY, IN SCUTTLE VENTILATOR, PREVENTING ENTRY OF WATER INTO HEATER BOX		1	
UCS.519/3H BD.5440/4	Screw, Set, securing Shroud Square Nut, on Setscrew		3 3	
BD.25759	GAUZE, FOR SCUTTLE VENTILATOR LID	78-48	1	Fitted from Chassis No. 1B.1001 to 1B.3231 } 3-4 litre 1B.25001 to 1B.25465 } 1B.50001 to 1B.53493 } 3-8 litre 1B.75001 to 1B.77353 } See also Body Shell and Body Panels
BD.19311/3 C.723/A AW.102/T	Screw, Set, securing Gauze Washer, Shakeproof, on Setscrews Washer, Plain, under Shakeproof Washers		1 3 3	
BD.27952	GAUZE, FOR SCUTTLE VENTILATOR LID		1	
UFS.819/4H C.723/A AW.102/T	Screw, Set, securing Gauze Washer, Shakeproof, on Setscrews Washer, Plain, under Shakeproof Washers		3 3 3	
BD.12010	MOUNTING ASSEMBLY, LOWER, FOR STEERING COLUMN		1	Fitted to Chassis No. 1B.3232 and subs. } 3-4 litre 1B.25466 and subs. } 1B.53494 and subs. } 3-8 litre 1B.77354 and subs. } See also Body Shell and Body Panels
BD.12011 UFS.125/4R C.724 C.2905/4	Seal, for Steering Column Mounting Screw, Set, securing Lower Steering Column Mounting Washer, Shakeproof, on Setscrews Clip, securing Steering Column in Mounting		1 3 3 1	
BD.14987	TREAD PLATE, ON R.H. FRONT DOOR SILL		1	
BD.14986	TREAD PLATE, ON L.H. FRONT DOOR SILL	78-49	1	
DAZ.504/8C	Screw, Self-Tapping, securing Tread Plates		10	

BODY FITTINGS

Part No.	Description	Plate No.	No. per Unit	Remarks
BD.26231	SCUTTLE SIDE CASING ASSEMBLY, R.H.	78-50	1	
BD.26232	SCUTTLE SIDE CASING ASSEMBLY, L.H.	78-51	1	
DAC.604/14C BD.532/1	Screw, Self-Tapping, securing Side Casings Cup Washer, on Screws		6 6	
BD.26882	PARCEL TRAY ASSEMBLY (TRIMMED)	78-52	1	FOR USE ONLY ON R.H. DRIVE CARS EQUIPPED WITH STANDARD OR OVERDRIVE TRANSMISSION
BD.26883	PARCEL TRAY ASSEMBLY (TRIMMED)		1	FOR USE ONLY ON L.H. DRIVE CARS EQUIPPED WITH STANDARD OR OVERDRIVE TRANSMISSION
DJJ.408/10C	Screw, Self-Tapping, securing Parcel Tray to Body		2	
BD.8536/6	Spire Nut, on Self-Tapping Screws		2	
AW.102/T	Washer, Plain, under Nuts		2	
DAZ.410/10C	Screw, Self-Tapping, securing Parcel Tray to Scuttle Side Casings		4	
BD.26869	R.H. COVER PANEL, FOR STEERING COLUMN (TRIMMED)	78-53	1	FOR USE ON CARS EQUIPPED WITH STANDARD OR OVERDRIVE TRANSMISSION WITHOUT STEERING LOCK
BD.26868	L.H. COVER PANEL, FOR STEERING COLUMN (TRIMMED)	78-54	1	
DZJ.404/6C	Screw, Self-Tapping, securing Cover Panels		2	
BD.26869	R.H. COVER PANEL, FOR STEERING COLUMN (TRIMMED)		1	FOR USE ON R.H. DRIVE CARS EQUIPPED WITH STANDARD OR OVERDRIVE TRANSMISSION WITH STEERING LOCK
BD.26870	L.H. COVER PANEL, FOR STEERING COLUMN (TRIMMED)		1	
DZJ.404/6C	Screw, Self-Tapping, securing Cover Panels		2	
BD.26869	R.H. COVER PANEL, FOR STEERING COLUMN (TRIMMED)		1	FOR USE ON L.H. DRIVE CARS EQUIPPED WITH STANDARD OR OVERDRIVE TRANSMISSION WITH STEERING LOCK
BD.26871	L.H. COVER PANEL, FOR STEERING COLUMN (TRIMMED)		1	
DZJ.404/6C	Screw, Self-Tapping, securing R.H. Cover Panel		1	
BD.26560	Special Nut, securing L.H. Cover Panel		2	
BD.26560	Special Nut, securing Aerial Winder		1	

BODY FITTINGS

Part No.	Description	Plate No.	No. per Unit	Remarks
BD.26625	R.H. CRASH ROLL ASSEMBLY, ON PARCEL TRAY (TRIMMED)	78-55	1	
BD.26626	L.H. CRASH ROLL ASSEMBLY, ON PARCEL TRAY (TRIMMED)	78-56	1	
BD.26209 AW.102/T	Acorn Nut, securing Crash Roll to Parcel Tray Washer, under Nuts		8 8	
BD.26004	COVER ON PARCEL TRAY, OVER HEAT CONTROL LEVER	78-57	1	
BD.26751	Fixing Stud, securing Cover to Parcel Tray		4	
BD.25780	R.H. FRONT RECLINING SEAT ASSEMBLY, COMPLETE	78-58	1	Fitted from Chassis No. 1B.1001 to 1B.1897 } 3-4 litre 1B.25001 to 1B.25232 } 1B.50001 to 1B.51694 } 3-8 litre 1B.75001 to 1B.76049 }
BD.25779	L.H. FRONT RECLINING SEAT ASSEMBLY, COMPLETE		1	
Note: BD.25780 and BD.25779 covers the supply of a fully trimmed seat complete with Cushion, Armrest and Seat Slides				
BD.27408	R.H. FRONT RECLINING SEAT ASSEMBLY, COMPLETE		1	Fitted from Chassis No. 1B.1898 to 1B.7017 } 3-4 litre 1B.25233 to 1B.25942 } 1B.51695 to 1B.58054 } 3-8 litre 1B.76050 to 1B.79724 }
BD.27407	L.H. FRONT RECLINING SEAT ASSEMBLY, COMPLETE		1	
Note: BD.27408 and BD.27407 covers the supply of a fully trimmed seat complete with Cushion, Armrest and Seat Slides				
BD.29131	R.H. FRONT RECLINING SEAT ASSEMBLY, COMPLETE		1	Fitted from Chassis No. 1B.7018 to 1B.8670 } 3-4 litre 1B.25943 to 1B.26239 } 1B.58055 to 1B.59541 } 3-8 litre 1B.79725 to 1B.80295 }
BD.29132	L.H. FRONT RECLINING SEAT ASSEMBLY, COMPLETE		1	
Note: BD.29131 and BD.29132 covers the supply of a fully trimmed seat complete with Cushion, Armrest and Seat Slides				

BODY FITTINGS

Part No.	Description	Plate No.	No. per Unit	Remarks
BD.33186	R.H. FRONT RECLINING SEAT ASSEMBLY, COMPLETE		1	Fitted from Chassis No. 1B.8671 to 1B.9181 } 3-4 litre 1B.26240 to 1B.26302 } 1B.59542 to 1B.59633 } 3-8 litre 1B.80296 to 1B.80372 }
BD.33187	L.H. FRONT RECLINING SEAT ASSEMBLY, COMPLETE		1	
Note: BD.33186 and BD.33187 covers the supply of a fully trimmed seat complete with Cushion, Armrest and Seat Slides				
BD.33450	R.H. FRONT RECLINING SEAT ASSEMBLY, COMPLETE		1	Fitted to Chassis No. 1B.9182 and subs. } 3-4 litre 1B.26303 and subs. } 1B.59634 and subs. } 3-8 litre 1B.80373 and subs. }
BD.33451	L.H. FRONT RECLINING SEAT ASSEMBLY, COMPLETE		1	
Note: BD.33450 and BD.33451 covers the supply of a fully trimmed seat complete with Cushion, Armrest and Seat Slides				
BD.26314	ARMREST ASSEMBLY, COMPLETE, FOR FRONT SEATS		2	Fitted from Chassis No. 1B.1001 to 1B.1897 } 3-4 litre 1B.25001 to 1B.25232 } 1B.50001 to 1B.51964 } 3-8 litre 1B.75001 to 1B.76049 }
BD.27404	ARMREST ASSEMBLY, COMPLETE, FOR FRONT SEATS		2	Fitted to Chassis No. 1B.1898 and subs. } 3-4 litre 1B.25233 and subs. } 1B.51695 and subs. } 3-8 litre 1B.76050 and subs. }
BD.26606	L.H. CONTROL LEVER, FOR R.H. SEAT SLIDE	78-59	1	Fitted from Chassis No. 1B.1001 to 1B.7017 } 3-4 litre 1B.25001 to 1B.25942 } 1B.50001 to 1B.58054 } 3-8 litre 1B.75001 to 1B.79724 }
BD.26607	R.H. CONTROL LEVER, FOR L.H. SEAT SLIDE		1	
BD.29421	L.H. CONTROL LEVER, FOR R.H. SEAT SLIDE		1	Fitted to Chassis No. 1B.7018 and subs. } 3-4 litre 1B.25943 and subs. } 1B.58055 and subs. } 3-8 litre 1B.79725 and subs. }
BD.29422	R.H. CONTROL LEVER, FOR L.H. SEAT SLIDE		1	

BODY FITTINGS

Part No.	Description	Plate No.	No. per Unit	Remarks
BD.26612	KNOB, ON CONTROL LEVERS	78-60	2	
BD.26609	CROSS BAR, FOR SEAT SLIDES	78-61	2	Fitted from Chassis No. 1B.1001 to 1B.7017 } 3-4 litre 1B.25001 to 1B.25942 } 1B.50001 to 1B.58054 } 3-8 litre 1B.75001 to 1B.79724 }
BD.30147	CROSS BAR, FOR SEAT SLIDES		2	Fitted to Chassis No. 1B.7018 and subs. } 3-4 litre 1B.25943 and subs. } 1B.58055 and subs. } 3-8 litre 1B.79725 and subs. }
UFS.119/5R	Screw, Set, securing Cross Bar to Control Lever		2	
UFS.119/5R	Screw, Set, securing Cross Bar and Control Lever to Plungers		4	
AW.102/C	Washer, Brass, on Setscrews		6	
C.8667/17	Locknut, on Setscrews		6	
BD.23891	PLUNGER, LOCKING SEAT IN SELECTED POSITION	78-62	4	
BD.22685	Spring, tensioning Plungers	78-63	4	
FW.105/T	Washer, retaining Plungers		6	
BD.25544	Roll Pin, behind Washers, retaining Plungers		4	
BD.11416	SPRING, ASSISTING FORWARD MOVEMENT OF FRONT SEATS	78-64	4	Fitted from Chassis No. 1B.1001 to 1B.7017 } 3-4 litre 1B.25001 to 1B.25942 } 1B.50001 to 1B.58054 } 3-8 litre 1B.75001 to 1B.79724 }
BD.29301	SPRING, ASSISTING FORWARD MOVEMENT OF FRONT SEATS		4	Fitted to Chassis No. 1B.7018 and subs. } 3-4 litre 1B.25943 and subs. } 1B.58055 and subs. } 3-8 litre 1B.79725 and subs. }
BD.24629	Sleeve (P.V.C.) on Spring		4	
BD.26608	BRACKET, STEADYING CONTROL LEVER	78-65	2	Fitted from Chassis No. 1B.1001 to 1B.7017 } 3-4 litre 1B.25001 to 1B.25942 } 1B.50001 to 1B.58054 } 3-8 litre 1B.75001 to 1B.79724 }
DZZ.410/8C	Screw, Self-Tapping, securing Bracket to Seat Frame		4	
BD.30062	BRACKET, STEADYING R.H. CONTROL LEVER		1	Fitted to Chassis No. 1B.7018 and subs. } 3-4 litre 1B.25943 and subs. } 1B.58055 and subs. } 3-8 litre 1B.79725 and subs. }
BD.30063	BRACKET, STEADYING L.H. CONTROL LEVER		1	
BD.25646	Grommet (Polythene) inside Bracket	78-66	2	

BODY FITTINGS

Part No.	Description	Plate No.	No. per Unit	Remarks
BD.25956	SLIDE RATCHET, FOR FRONT SEATS	78-67	4	
BD.23854	Slide, for Front Seats	78-68	4	
BD.23853	Trunnion, on Seat Slides	78-69	4	
BD.26192	Stop, on forward end of Slides			
BD.24093	Clevis Pin, securing Trunnion to Front Seats	78-70	4	
BD.541/17	Washer (Brass) on Clevis Pins		4	
L.102/6U	Split Pin, retaining Clevis Pin		4	
UFB.131/13R	Bolt, securing Slide Ratchet to Slide		8	
BD.18698	Distance Piece, between Slide and Slide Ratchet		8	
FW.105/T	Washer, Plain, on Bolts, and under Nuts		12	
C.8667/2	Nut, Self-Locking, on Bolts		8	
UFS.131/6R	Screw, Set, securing Slide Ratchet to Front Floor		8	
BD.24295	Packing Piece, under Slide Ratchets		As req'd	
C.740	Washer, Shakeproof, on Setscrews		8	
FW.105/T	Washer, Plain, under Shakeproof Washers		8	
C.24626	LEVER, FOR SQUAB RAKE CONTROL OF FRONT SEATS		2	Fitted from Chassis No. 1B.1001 to 1B.8353 } 3-4 litre 1B.25001 to 1B.26208 }
BD.26669	Escutcheon, at base of Levers		2	
BD.10734	Bush (Rubber) on Setscrews (behind Levers)		2	1B.50001 to 1B.59221 } 3-8 litre 1B.75001 to 1B.80267 }
C.31258	LEVER, FOR SQUAB RAKE CONTROL OF FRONT SEATS	78-71	2	Fitted to Chassis No. 1B.8354 and subs. } 3-4 litre 1B.26209 and subs. }
BD.30488	Collar, at base of Levers		2	
BD.29380	Washer, behind Collars		2	1B.59222 and subs. } 3-8 litre 1B.86268 and subs. }
AC.102/X	Washer, Spring, inside Levers		2	
BD.26839	Knob, for R.H. Squab Rake Control Lever	78-72	1	
BD.26838	Knob, for L.H. Squab Rake Control Lever		1	
DZC.006/6C	Screw, Self-Tapping, securing Knobs to Levers		2	
UFS.319/6H	Screw, Set, securing Levers to Cross Rods		2	
AG.102/X	Washer, Spring, on Setscrews (behind Levers)		2	
C.29307	COVER (PLASTIC) OVER SQUAB PIVOT AT R.H. SIDE OF FRONT SEATS		2	Fitted to Chassis No. 1B.7018 and subs. } 3-4 litre 1B.25943 and subs. }
C.29308	COVER (PLASTIC) OVER SQUAB PIVOT AT L.H. SIDE OF FRONT SEATS		2	1B.58055 and subs. } 3-8 litre 1B.79725 and subs. }
DAZ.410/8C	Screw, Self-Tapping, securing Covers		4	
BD.541/28	Washer, Special, on Self-Tapping Screws		4	
BD.25815	CROSS ROD ASSEMBLY, FOR SQUAB RAKE CONTROL ON R.H. FRONT SEAT	78-73	1	Fitted from Chassis No. 1B.1001 to 1B.7017 } 3-4 litre 1B.25001 to 1B.25942 } 1B.50001 to 1B.58054 } 3-8 litre 1B.75001 to 1B.79724 }

BODY FITTINGS

Part No.	Description	Plate No.	No. per Unit	Remarks
BD.25816	CROSS ROD ASSEMBLY, FOR SQUAB RAKE CONTROL ON L.H. FRONT SEAT		1	
BD.24377	Fork, on Cross Rods, withdrawing Plungers from Rake Slides	78-74	4	Fitted from Chassis No. 1B.1001 to 1B.7017 } 3-4 litre 1B.25001 to 1B.25942 } 1B.50001 to 1B.58054 } 3-8 litre 1B.75001 to 1B.79724 }
BD.22294	Screw, Allen Head, securing Forks to Cross Rods	78-75	4	
BD.23893	Plunger, locking Squab in selected position	78-76	4	
BD.24602	Spring, tensioning Plungers	78-77	4	
BD.541/31	Washer, retaining Springs		4	
L.102/6U	Split Pin, behind Washers		4	
BD.24056	PIVOT PLATE, AT FRONT OF SEATS	78-78	2	
BD.24029	Bush (Nylon) in Pivot Plates		8	
BD.26860	Pivot Pin (upper) securing Pivot Plates to Seat Frames	78-79	4	
FW.104/C	Washer, Plain, on Pivot Pins		8	
L.102/6U	Split Pin, retaining Pivot Pins		4	
BD.25971	SEAT ANCHOR BRACKET ASSEMBLY	78-80	2	
BD.25989	Pivot Pin (lower) securing Seat Anchor Bracket to Pivot Plate	78-81	4	
BD.24029	Bush (Nylon) on Pivot Pins		8	
FW.104/C	Washer, Plain, on Pivot Pins		8	
L.102/6U	Split Pin, retaining Pivot Pins		4	
UFS.131/8R	Screw, Set, securing Seat Anchor Bracket to Floor		4	
C.740	Washer, Shakeproof, on Setscrews		4	
BD.542/7	Washer, Special, under Shakeproof Washers		4	
BD.25973	Packing Piece, under Seat Anchor Bracket		As req'd	
BD.27653	EYE BOLT, IN FRONT FLOOR, FOR SAFETY HARNESS		4	FITTED TO CARS EXPORTED TO U.S.A. ONLY
BD.22620	EYE BOLT, IN FRONT FLOOR, FOR SAFETY HARNESS		4	NOT REQUIRED FOR CARS EXPORTED TO U.S.A.
BD.23149	Distance Piece, on Eye Bolt		4	
BD.28351	Washer (Rubber/Canvas) for Eye Bolt		4	
BD.11036	TACKING STRIP, FOR 'A' POSTS		2	
BD.17409	TACKING STRIP, LOWER, FOR 'B' AND 'C' POSTS		4	
BD.17410	TACKING STRIP, UPPER, FOR 'D' POSTS		2	

BODY FITTINGS

Part No.	Description	Plate No.	No. per Unit	Remarks
BD.11038	TACKING STRIP, LOWER, FOR 'D' POSTS		2	
BD.27177	TACKING STRIP, UPPER REAR QUARTER		2	
BD.11975	TACKING STRIP, FOR SEAT PAN, 'A' POST AND DOOR SILLS		6	
BD.8093/1	Screwnail, securing Tacking Strips		50	
BD.8093/3	Screwnail, securing Tacking Strips		72	
BD.25658	INSTRUMENT BOARD ASSEMBLY	79-1	1	
BD.25504	R.H. FACIA BOARD ASSEMBLY	79-2	1	} R.H. DRIVE CARS ONLY
BD.25535	L.H. FACIA BOARD ASSEMBLY	79-3	1	
BD.25534	R.H. FACIA BOARD ASSEMBLY		1	} L.H. DRIVE CARS ONLY
BD.25505	L.H. FACIA BOARD ASSEMBLY		1	
BD.25917	Outer Fixing Bracket, on R.H. Facia Board	79-4	1	
BD.25655	Inner Mounting Bracket, on R.H. Facia Board	79-5	1	
BD.25656	Inner Mounting Bracket, on L.H. Facia Board	79-6	1	
BD.25918	Outer Fixing Bracket, on L.H. Facia Board	79-7	1	
BD.25675	Top Fixing Bracket, on R.H. and L.H. Facia Boards	79-8	2	
M.208/4R	Woodscrew, securing Brackets to Facia Boards		12	
BD.25657	Light Seal (Rubber, 3/64" x 1 1/4" x 5 7/16")		2	
BD.22638	Bracket, for Remote Control (Clock)		1	
BD.22639	Bracket, for Remote Control (Speedometer)		1	
MJ.206/4R	Woodscrew, securing Remote Control Brackets		4	
BD.25299	Striker, on Facia Board, for Cubby Box Lock		1	
BD.19853	Bracket, for Cubby Box Lamp Switch		1	
MJ.206/3R	Woodscrew, securing Striker and Bracket for Cubby Box Lamp Switch		4	
BD.26648	OUTER TIE BRACKET ON SCREEN RAIL, FOR FIXING R.H. FACIA BOARD	79-9	1	
BD.26649	OUTER TIE BRACKET ON SCREEN RAIL, FOR FIXING L.H. FACIA BOARD	79-10	1	
DAZ.408/8C	Screw, Self-Tapping, securing Tie Brackets to Screen Rail		4	

BODY FITTINGS

Part No.	Description	Plate No.	No. per Unit	Remarks
BD.26657	INNER TIE BRACKET ON SCREEN RAIL, FOR FIXING FACIA BOARDS	79-11	2	Fitted to Chassis No. 1B.1047 and subs. } 3-4 litre 1B.25015 and subs. } 1B.50418 and subs. } 3-8 litre 1B.75074 and subs. }
DAZ.408/8C	Screw, Self-Tapping, securing Tie Brackets to Screen Rail		4	
BD.26677	OUTER SUPPORT BRACKET ON DASH FACE, FOR R.H. FACIA BOARD	79-12	1	
BD.26678	OUTER SUPPORT BRACKET ON DASH FACE, FOR L.H. FACIA BOARD	79-13	1	
UFN.125/L	Nut, securing Outer Support Brackets to Dash Face		2	
C.724	Washer, Shakeproof, under Nuts		2	
BD.542/3	Washer, Special, under Shakeproof Washers		2	
UFS.125/5R	Screw, Set, securing Facia Boards to Outer Brackets		2	
C.724	Washer, Shakeproof, on Setscrews		2	
BD.542/3	Washer, Special, under Shakeproof Washers		2	
BD.25345	INNER SUPPORT BRACKET ON DASH FACE, FOR R.H. FACIA BOARD	79-14	1	
BD.25346	INNER SUPPORT BRACKET ON DASH FACE, FOR L.H. FACIA BOARD	79-15	1	
UFN.125/L	Nut, securing Inner Brackets to Dash Face		4	
C.724	Washer, Shakeproof, under Nuts		4	
FW.104/T	Washer, Plain, under Shakeproof Washers		4	
UFS.119/4R	Screw, Set, securing Facia Boards to Inner Brackets		4	
C.723/A	Washer, Shakeproof, on Setscrews		4	
BD.541/34	Washer, Special, under Shakeproof Washers		4	
BD.25652	R.H. CUBBY BOX ASSEMBLY		1	L.H. DRIVE CARS ONLY
BD.25652/1	Cubby Box, R.H.		1	
BD.25652/2	Detachable Panel		1	
DJJ.406/6C	Screw, Self-Tapping, securing Panel		3	
BD.8536/9	Spire Nut, receiving Self-Tapping Screws		3	
BD.25653	L.H. CUBBY BOX ASSEMBLY	79-16	1	R.H. DRIVE CARS ONLY
BD.25653/1	Cubby Box, L.H.		1	
	All other items are as for R.H. Cubby Box Assembly BD.25652			
MJ.206/4R	Woodscrew, securing Cubby Box		12	
AW.104/T	Washer, Plain, on Woodscrews		12	

BODY FITTINGS

Part No.	Description	Plate No.	No. per Unit	Remarks
BD.18117	LAMP, INSIDE CUBBY BOX (LESS BULB) (56078A-L681)	79-17	1	
8851	Lens (54572189)		1	
7880	Bulb (12v-6w. Festoon 254)		1	
BD.19795	BRACKET, MOUNTING CUBBY BOX LAMP		1	
UCS.411/3H	Screw, Set, securing Lamp to Bracket and Bracket to Cubby Box		6	
UCN.111/L	Nut, on Setscrews		6	
C.18118	SWITCH, OPERATING CUBBY BOX LAMP (34379/A-54SA)	79-18	1	
BD.24375	LID ASSEMBLY, FOR CUBBY BOX ON R.H. FACIA BOARD		1	L.H. DRIVE CARS ONLY
BD.24376	LID ASSEMBLY, FOR CUBBY BOX ON L.H. FACIA BOARD	79-19	1	R.H. DRIVE CARS ONLY
BD.573	Hinge, for Cubby Box Lid	79-20	2	
MC.103/4K	Woodscrew, securing Hinges to Lid and Facia Board		8	
BD.12735	Quadrant Assembly, for Cubby Box Lid	79-21	1	
BD.12358	Stop Plate Assembly	79-22	1	
MC.103/4K	Woodscrew, securing Quadrant and Stop Plate		4	
BD.24143	Finger Pull, at centre of Cubby Box Lid	79-23	1	
BD.12326	Handle, at centre of Cubby Box Lid		1	} SUPERSEDES BD.24143
MC.303/6R	Woodscrew, securing Handle to Cubby Box Lid		1	
BD.24296	LOCK ASSEMBLY, FOR CUBBY BOX LID (7/25400)		1	
BD.24152	Screwed Ring, securing Lock to Cubby Box Lid (7/24056)		1	
BD.24673	Barrel, for Lock (7/6586)		1	

BODY FITTINGS

Part No.	Description	Plate No.	No. per Unit	Remarks
BD.26160	SCREEN RAIL CAPPING ASSEMBLY		1	Fitted from Chassis No. 1B.1001 to 1B.1046 } 3-4 litre 1B.25001 to 1B.25014 } 1B.50001 to 1B.50417 } 3-8 litre 1B.75001 to 1B.75073 }
BD.26170	End Finisher, for Screen Rail		2	
M.204/4R	Woodscrew, securing End Finishers		4	
BD.26563	Inner Fixing Bracket, on Screen Rail Capping		1	
MJ.208/4R	Woodscrew, securing Inner Fixing Bracket to Screen Rail Capping		2	
BD.17569	Outer Fixing Plate Assembly, on Screen Rail Capping		2	
M.106/4R	Woodscrew, securing Outer Fixing Plate to Screen Rail Capping		4	
UFN.125/L	Nut, securing Screen Rail Capping to Facia Boards		3	
C.724	Washer, Shakeproof, under Nuts		3	
BD.541/20	Washer, Special, under Shakeproof Washers		3	
BD.24863	Packing Piece		6	
BD.20885	Strip (Felt, 1/8" x 1 1/2" x 15 1/2") on underside of Screen Rail Capping		1	
BD.27075	SCREEN RAIL CAPPING ASSEMBLY	79-24	1	
BD.26170	End Finisher, for Screen Rail	79-25	2	
M.204/4R	Woodscrew, securing End Finishers		4	
BD.26696	Fixing Plate Assembly, on Screen Rail Capping	79-26	4	
M.106/4R	Woodscrew, securing Fixing Plate to Screen Rail Capping		8	
UFN.125/L	Nut, securing Screen Rail Capping to Facia Boards		4	
C.724	Washer, Shakeproof, under Nuts		4	
BD.541/20	Washer, Special, under Shakeproof Washers		4	
BD.24863	Packing Piece		8	
BD.20885	Strip (Felt, 1/8" x 1 1/2" x 15 1/2") on underside of Screen Rail Capping		1	
BD.26519	PICNIC TRAY ASSEMBLY	79-27	1	
BD.26521	Slide, at R.H. side of Picnic Tray	79-28	1	
BD.26522	Slide, at L.H. side of Picnic Tray	79-29	1	
DAC.404/4C	Screw, Self-Tapping, securing Slides		6	
BD.23704	Retaining Spring		2	
DAC.404/6C	Screw, Self-Tapping, securing Retaining Springs		4	
BD.12326	Handle, at centre of Picnic Tray		1	
MC.303/6R	Woodscrew, securing Handle		1	
BD.26528	Spring, inside Slide		2	
BD.17659	CAPPING, FOR R.H. 'A' POST	79-30	1	
BD.17658	CAPPING, FOR L.H. 'A' POST		1	
DAC.604/12C	Screw, Self-Tapping, at lower fixing of Capping		2	
BD.532/1	Cup Washer, on Self-Tapping Screws		2	
DAZ.404/12C	Screw, Self-Tapping, at upper fixing of Capping		2	
BD.17674	CAPPING, AT TOP R.H. SIDE OF WINDSCREEN	79-31	1	

BODY FITTINGS

Part No.	Description	Plate No.	No. per Unit	Remarks
BD.17673	CAPPING, AT TOP L.H. SIDE OF WINDSCREEN	79-32	1	
DAC.604/12C	Screw, Self-Tapping, securing Cappings		6	
BD.17314	CAPPING ASSEMBLY, AT FRONT OF R.H. CANTRAIL	79-33	1	
BD.17313	CAPPING ASSEMBLY, AT FRONT OF L.H. CANTRAIL		1	
DAZ.404/10C	Screw, Self-Tapping, securing Cappings		8	
BD.17776	END FINISHER, FOR FRONT CANTRAIL CAPPINGS	79-34	2	
M.102/4R	Woodscrew, securing End Finishers		2	
BD.17320	CAPPING ASSEMBLY, AT REAR OF R.H. CANTRAIL	79-35	1	Fitted from Chassis No. 1B.1001 to 1B.4122 } 3-4 litre 1B.25001 to 1B.25554 } 1B.50001 to 1B.54456 } 3-8 litre 1B.75001 to 1B.77899 }
BD.17319	CAPPING ASSEMBLY, AT REAR OF L.H. CANTRAIL		1	
BD.27990	CAPPING ASSEMBLY, AT REAR OF R.H. CANTRAIL		1	Fitted to Chassis No. 1B.4123 and subs. } 3-4 litre 1B.25555 and subs. } 1B.54457 and subs. } 3-8 litre 1B.77900 and subs. }
BD.27991	CAPPING ASSEMBLY, AT REAR OF L.H. CANTRAIL		1	
BD.17988	Fixing Plate, at rear end of Capping		2	
M.104/3R	Woodscrew, securing Fixing Plate to Cappings		4	
DAZ.404/10C	Screw, Self-Tapping, securing Cappings		8	
BD.27966	COAT HOOK, ON CANTRAIL REAR CAPPINGS		2	Fitted to Chassis No. 1B.4123 and subs. } 3-4 litre 1B.25555 and subs. } 1B.54457 and subs. } 3-8 litre 1B.77900 and subs. }
UCS.516/2H	Screw, Set, securing Coat Hooks to Cappings		2	
BD.27988	Washer, Special, on Setscrews		2	
NOTE:- Coat Hooks C.27966 may be fitted to earlier cars only if Cantrail Rear Cappings C.27990 and C.27991 are also used				

BODY FITTINGS

Part No.	Description	Plate No.	No. per Unit	Remarks
BD.26159	CAPPING, BETWEEN CANTRAIL CAPPINGS, FOR MOUNTING INTERIOR LIGHTS ON 'B/C' POSTS	79-36	2	
DA.506/20C	Screw, Self-Tapping, securing Cappings		4	
BD.26234	UPPER FACIA, FOR 'B/C' POSTS	79-37	2	
BD.14130	Spring Clip, securing Facias to 'B/C' Posts		4	
MJ.206/3R	Woodscrew, securing Clips to Facias		8	
BD.22696	BUTTON (CHROME) IN 'B/C' POST UPPER FACIAS (50580)		2	NOT REQUIRED WHEN SAFETY HARNESS IS FITTED
BD.25479	TRIM PANEL ASSEMBLY, FOR 'B/C' POSTS	79-38	2	
BD.24953	Clip, securing Trim Panels to 'B/C' Posts		12	
BD.26235	Waist Facia Assembly, for 'B/C' Posts	79-39	2	
M.104/4R	Woodscrew, securing Waist Facia to Trim Panels		4	
BD.17203	FACIA ASSEMBLY, FOR R.H. FRONT DOOR	79-40	1	
BD.17202	FACIA ASSEMBLY, FOR L.H. FRONT DOOR		1	
DA.506/20C	Screw, Self-Tapping, securing Facias to Inner Door Panels		8	
BD.26137	CAPPING, FOR R.H. FRONT DOOR	79-41	1	
BD.26136	CAPPING, FOR L.H. FRONT DOOR		1	
DAC.604/12C	Screw, Self-Tapping, securing Cappings		8	
BD.543/1	Cup Washer, on Screws		8	
BD.17282/1	WEATHERSTRIP, BETWEEN FRONT DOOR CAPPINGS AND DOOR GLASSES (18⁵/₈" LONG)	79-42	2	
BD.22884	Clip, securing Weatherstrips		8	

BODY FITTINGS

Part No.	Description	Plate No.	No. per Unit	Remarks
BD.17205	FACIA ASSEMBLY, FOR R.H. REAR DOOR	79-43	1	
BD.17204	FACIA ASSEMBLY, FOR L.H. REAR DOOR		1	
DA.506/20C	Screw, Self-Tapping, securing Facias to Inner Door Panels		8	
BD.26139	CAPPING, FOR R.H. REAR DOOR	79-44	1	
BD.26138	CAPPING, FOR L.H. REAR DOOR		1	
DAC.604/12C	Screw, Self-Tapping, securing Cappings		8	
BD.543/1	Cup Washer, on Screws		8	
BD.17282/1	WEATHERSTRIP, BETWEEN REAR DOOR CAPPINGS AND DOOR GLASSES (18 1/8" LONG)	79-45	2	
BD.22884	Clip, securing Weatherstrips		8	
BD.26927	CONSOLE ASSEMBLY (TRIMMED)	79-46	1	NOT REQUIRED FOR CARS EQUIPPED WITH AUTOMATIC TRANSMISSION
BD.19984	Bezel and Grille Assembly, for Radio	79-47	2	
UCN.113/L	Nut, securing Bezels and Grilles to Console		8	
C.721	Washer, Shakeproof, under Nuts		8	
AW.104/T	Washer, Plain, under Shakeproof Washers		8	
BD.25981	Air Box Assembly		1	
DAZ.114/10C	Screw, Self-Tapping, securing Air Box Assembly to Console		2	
BD.541/32	Washer, Special, on Self-Tapping Screws		2	
BD.26698	Gauntlet, for Gear Lever		1	
BD.21891/2	Strip, in Gauntlet aperture		1	
BD.19728	Ferrule, at top of Gauntlet		1	
BD.19729	Base, for Ferrule		1	
DAZ.410/10C	Screw, Self-Tapping, securing Air Box Assembly to Tunnel		2	
BD.8536/7	Spire Nut, on Self-Tapping Screws		2	
BD.25685	RADIO PANEL ASSEMBLY	79-48	1	
BD.25406	Radio Panel		1	
BD.25368	R.H. Attachment Bracket	79-49	1	
BD.25367	L.H. Attachment Bracket	79-50	1	
DA.406/8C	Screw, Self-Tapping, securing Brackets to Radio Panel		4	
BD.25365	Bezel, for Heater Control ('Air. Heat. Off')		1	
BD.25366	Plate, behind Bezel		1	
UCS.416/5H	Screw, Set, securing Radio Panel, lower		2	
BD.25686	Special Screw, securing Radio Panel, upper		2	
C.723/A	Washer, Shakeproof, on Special Screws		2	
AW.102/T	Washer, Plain, under Shakeproof Washers		2	

BODY FITTINGS

Part No.	Description	Plate No.	No. per Unit	Remarks
BD.21979	MOUNTING PLATE ASSEMBLY, FOR RADIO	79-51	1	
M.106/4R	Woodscrew, securing Mounting Plate to Radio Panel		5	
BD.23289	FILLER PANEL, IN RADIO CONTROL PANEL APERTURE	79-52	1	NOT REQUIRED WHEN RADIO IS FITTED
BD.24087	ASH TRAY BASE AND ROLLERS ASSEMBLY	79-53	1	
DAZ.404/12C	Screw, Self-Tapping, securing Base to Facia		8	
BD.24088	ASH TRAY SLIDE AND STUBBER ASSEMBLY	79-54	1	
BD.21115	Stubber Assembly only		1	
BD.22805	Rivet, securing Stubber to Slide		1	
BD.26740	Leaf Spring Assembly, restricting movement of Ash Tray Slide		1	
BD.26121	CAPPING, ON ASH TRAY SLIDE	79-55	1	
DAJ.206/6C	Screw, Self-Tapping, securing Capping to Ash Tray Slide		2	
BD.24425	Pull, at centre of Capping	79-56	1	
DA.504/12C	Screw, Self-Tapping, securing Pull to Capping		2	
BD.26621	CENTRE PANEL ASSEMBLY, ABOVE RADIO PANEL	79-57	1	
BD.26620	Stud Plate Assembly, fixing Centre Panel		2	
M.106/6R	Woodscrew, securing Stud Plates		2	
BD.26595	R.H. End Finisher, for Centre Panel		1	
BD.26594	L.H. End Finisher, for Centre Panel		1	
BD.26209	Acorn Nut, securing Centre Panel to Parcel Tray (78/307)		2	
UFN.119/L	Nut, securing Centre Panel to Parcel Tray		2	
AW.102/T	Washer, Plain, under Nuts		2	
BD.26605	CHROME FINISHER ASSEMBLY, FOR CENTRE PANEL	79-58	1	

BODY FITTINGS

Part No.	Description	Plate No.	No. per Unit	Remarks
CARPETS, FOR R.H. DRIVE CARS (1201)				
BD.26415	Carpet, for R.H. Front Floor	80-1	1	Fitted from Chassis No. 1B.1001 to 1B.8433 3-4 litre 1B.50001 to 1B.59478 3-8 litre
BD.31264	Carpet, for R.H. Front Floor		1	Fitted from Chassis No. 1B.8434 to 1B.8670 3-4 litre 1B.59479 to 1B.59541 3-8 litre
BD.26414	Carpet, for L.H. Front Floor	80-2	1	Fitted from Chassis No. 1B.1001 to 1B.8670 3-4 litre 1B.50001 to 1B.59541 3-8 litre
BD.18655	Carpet, for Dipper Pad (17" x 6½")	80-3	1	
BD.27978	Carpet, for R.H. side of Gearbox (35½" x 21½")	80-4	1	
BD.27979	Carpet, for L.H. side of Gearbox (35½" x 18½")	80-5	1	
BD.18670	Carpet, for centre of Cross Member, under Front Seats (14" x 7½")	80-6	1	
BD.18669	Carpet, for sides of Cross Member, under Front Seats (11½" x 7")	80-7	2	
BD.18668	Carpet, for R.H. Door Sill (61" x 6½")	80-8	1	
BD.18667	Carpet, for L.H. Door Sill (61" x 6½")	80-9	1	
BD.18666	Carpet, for Propeller Shaft Tunnel (26" x 15")	80-10	1	
BD.26422	Carpet, for R.H. Rear Floor	80-11	1	
BD.26421	Carpet, for L.H. Rear Floor	80-12	1	
BD.18672	Carpet, for R.H. Rear Seat Valance (18½" x 12½")	80-13	1	
BD.18671	Carpet, for L.H. Rear Seat Valance (18½" x 12½")	80-14	1	
BD.28927	Stud, securing Carpets (78/797)	80-15	20	
BD.22665	Socket, receiving Studs (78/404)	80-16	20	
CARPETS, FOR R.H. DRIVE CARS				
BD.33224	Carpet, for R.H. Front Floor		1	FOR CARS EQUIPPED WITH STANDARD AND OVERDRIVE TRANSMISSION Fitted from Chassis No. 1B.8671 to 1B.9459 3-4 litre 1B.59542 to 1B.59699 3-8 litre
BD.33225	Carpet, for L.H. Front Floor		1	
BD.33236	Carpet, for Dipper Pad (17" x 6½")		1	
BD.33226	Carpet, for R.H. side of Gearbox (35½" x 18½")		1	
BD.33227	Carpet, for L.H. side of Gearbox (35½" x 21½")		1	
BD.33238	Carpet, for centre of Cross Member, under Front Seats		1	
BD.33237	Carpet, for sides of Cross Member, under Front Seats (11½" x 7")		2	
BD.33240	Carpet, for R.H. Door Sill (61" x 6½")		1	
BD.33241	Carpet, for L.H. Door Sill (61" x 6½")		1	
BD.33239	Carpet, for Propeller Shaft Tunnel (26" x 15")		1	
BD.33234	Carpet, for R.H. Rear Floor (25½" x 24")		1	
BD.33235	Carpet, for L.H. Rear Floor (25½" x 24")		1	
BD.33242	Carpet, for R.H. Rear Seat Valance		1	
BD.33243	Carpet, for L.H. Rear Seat Valance		1	
BD.28927	Stud, securing Carpets (78/797)		20	
BD.22665	Socket, receiving Studs (78/404)		20	
CARPETS, FOR R.H. DRIVE CARS				
BD.34868	Carpet, for R.H. Front Floor		1	FOR CARS EQUIPPED WITH STANDARD AND OVERDRIVE TRANSMISSION Fitted to Chassis No. 1B.9460 and subs. 3-4 litre 1B.59700 and subs. 3-8 litre
BD.34869	Carpet, for L.H. Front Floor		1	
BD.34902	Carpet, for R.H. side of Gearbox (35½" x 21½")		1	
BD.34893	Carpet, for L.H. side of Gearbox (35½" x 21½")		1	
BD.34877	Carpet, for centre of Cross Member, under Front Seats (14" x 7½")		1	
BD.34900	Carpet, for R.H. side of Cross Member, under Front Seats		1	
BD.34901	Carpet, for L.H. side of Cross Member, under Front Seats		1	
BD.34879	Carpet, for R.H. Door Sill (61" x 6½")		1	
BD.34880	Carpet, for L.H. Door Sill (61" x 6½")		1	
BD.34878	Carpet, for Propeller Shaft Tunnel (26" x 15")		1	
BD.34887	Carpet, for R.H. Rear Floor		1	
BD.34888	Carpet, for L.H. Rear Floor		1	
BD.34881	Carpet, for R.H. Rear Seat Valance (18½" x 12½")		1	
BD.34882	Carpet, for L.H. Rear Seat Valance (18½" x 12½")		1	
BD.28297	Stud, securing Carpets (78/797)		20	
BD.22665	Socket, receiving Studs (78/404)		20	

BODY FITTINGS

Part No.	Description	Plate No.	No. per Unit	Remarks
CARPETS, FOR L.H. DRIVE CARS (1201)				
BD.26412	Carpet, for L.H. Front Floor		1	Fitted from Chassis No. 1B.25001 to 1B.26213 3-4 litre 1B.75001 to 1B.80272 3-8 litre
BD.31263	Carpet, for L.H. Front Floor		1	Fitted from Chassis No. 1B.26214 to 1B.26239 3-4 litre 1B.80273 to 1B.80295 3-8 litre
BD.26413	Carpet, for R.H. Front Floor	80-17	1	} Fitted from Chassis No. 1B.25001 to 1B.26239 3-4 litre 1B.75001 to 1B.80295 3-8 litre
BD.27978	Carpet, for R.H. side of Gearbox (35½" x 21½")	80-4	1	
BD.27979	Carpet, for L.H. side of Gearbox (35½" x 18½")	80-5	1	
BD.18670	Carpet, for centre of Cross Member, under Front Seats (14" x 7½")	80-6	1	
BD.18669	Carpet, for sides of Cross Member, under Front Seats (11½" x 7")	80-7	2	
BD.18668	Carpet, for R.H. Door Sill (61" x 6½")	80-8	1	
BD.18667	Carpet, for L.H. Door Sill (61" x 6½")	80-9	1	
BD.18666	Carpet, for Propeller Shaft Tunnel (26" x 15")	80-10	1	
BD.26422	Carpet, for R.H. Rear Floor	80-19	1	
BD.26421	Carpet, for L.H. Rear Floor	80-20	1	
BD.18672	Carpet, for R.H. Rear Seat Valance (18½" x 12½")	80-13	1	
BD.18671	Carpet, for L.H. Rear Seat Valance (18½" x 12½")	80-14	1	
BD.28927	Stud, securing Carpets (78/797)	80-15	20	
BD.22665	Socket, receiving Studs (78/404)	80-16	20	

CARPETS, FOR L.H. DRIVE CARS

BD.33222	Carpet, for R.H. Front Floor		1	} FOR CARS EQUIPPED WITH STANDARD AND OVERDRIVE TRANSMISSION Fitted from Chassis No. 1B.26240 to 1B.26350 3-4 litre 1B.80296 to 1B.80404 3-8 litre
BD.33223	Carpet, for L.H. Front Floor		1	
BD.33226	Carpet, for R.H. side of Gearbox (35½" x 18½")		1	
BD.33227	Carpet, for L.H. side of Gearbox (35½" x 21½")		1	
BD.33238	Carpet, for centre of Cross Member, under Front Seats		1	
BD.33237	Carpet, for sides of Cross Member, under Front Seats (11½" x 7")		2	
BD.33240	Carpet, for R.H. Door Sill (61" x 6½")		1	
BD.33241	Carpet, for L.H. Door Sill (61" x 6½")		1	
BD.33239	Carpet, for Propeller Shaft Tunnel (26" x 15")		1	
BD.33234	Carpet, for R.H. Rear Floor (25½" x 24")		1	
BD.33235	Carpet, for L.H. Rear Floor (25½" x 24")		1	
BD.33242	Carpet, for R.H. Rear Seat Valance		1	
BD.33243	Carpet, for L.H. Rear Seat Valance		1	
BD.28927	Stud, securing Carpets (78/797)		20	
BD.22665	Socket, receiving Studs (78/404)		20	

CARPETS, FOR L.H. DRIVE CARS

BD.34866	Carpet, for R.H. Front Floor		1	} FOR CARS EQUIPPED WITH STANDARD AND OVERDRIVE TRANSMISSION Fitted to Chassis No. 1B.26351 and subs. 3-4 litre 1B.80405 and subs. 3-8 litre
BD.34867	Carpet, for L.H. Front Floor		1	
BD.34892	Carpet, for R.H. side of Gearbox (35½" x 18½")		1	
BD.34893	Carpet, for L.H. side of Gearbox (35½" x 21½")		1	
BD.34877	Carpet, for centre of Cross Member, under Front Seats (14" x 7½")		1	
BD.34900	Carpet, for R.H. side of Cross Member, under Front Seats		1	
BD.34901	Carpet, for L.H. side of Cross Member, under Front Seats		1	
BD.34879	Carpet, for R.H. Door Sill (61" x 6½")		1	
BD.34880	Carpet, for L.H. Door Sill (61" x 6½")		1	
BD.34878	Carpet, for Propeller Shaft Tunnel (26" x 15")		1	
BD.34870	Carpet, for R.H. Rear Floor (25½" x 24")		1	
BD.34871	Carpet, for L.H. Rear Floor (25½" x 24")		1	
BD.34881	Carpet, for R.H. Rear Seat Valance (18½" x 12½")		1	
BD.34882	Carpet, for L.H. Rear Seat Valance (18½" x 12½")		1	
BD.28297	Stud, securing Carpets (78/797)		20	
BD.22665	Socket, receiving Studs (78/404)		20	

BODY FITTINGS

Part No.	Description	Plate No.	No. per Unit	Remarks
FELT, UNDER CARPETS				
BD.26373	Felt, under R.H. Front Floor Carpet		1	} NOT REQUIRED FOR CARS EQUIPPED WITH AUTOMATIC TRANSMISSION
BD.26374	Felt, under L.H. Front Floor Carpet		1	
BD.26377	Felt, under Rear Floor Tunnel Carpet		1	
BD.26379	Felt, under R.H. Cross Member Carpet		1	
BD.26378	Felt, under L.H. Cross Member Carpet		1	
BD.17828	Felt, under R.H. Front Door Sill Carpet		1	
BD.17827	Felt, under L.H. Front Door Sill Carpet		1	
BD.17830	Felt, under R.H. Rear Door Sill Carpet		1	
BD.17829	Felt, under L.H. Rear Door Sill Carpet		1	
BD.26375	Felt, under R.H. Rear Floor Carpet		1	
BD.26376	Felt, under L.H. Rear Floor Carpet		1	
BD.12822	Felt, for front of Rear Seat		1	
INSULATING FELTS				
BD.26381	Hardura Felt, for R.H. Toe Board		1	} R.H. DRIVE CARS ONLY
BD.26380	Hardura Felt, for L.H. Toe Board		1	
BD.26383	Hardura Felt, for R.H. Toe Board (21" x 13½")		1	} L.H. DRIVE CARS ONLY
BD.26382	Hardura Felt, for L.H. Toe Board (22½" x 16½")		1	
BD.17884	Hardura Felt, for R.H. side of Screen Rail		1	
BD.17883	Hardura Felt, for L.H. side of Screen Rail		1	
BD.26385	Hardura Felt, under R.H. side of Scuttle		1	} R.H. DRIVE CARS ONLY
BD.26384	Hardura Felt, under L.H. side of Scuttle		1	
BD.26387	Hardura Felt, under R.H. side of Scuttle		1	} L.H. DRIVE CARS ONLY
BD.26386	Hardura Felt, under L.H. side of Scuttle		1	
BD.26388	Hardura Felt, for Rear Tunnel		1	
BD.26389	Hardura Felt, for Heater Box (Centre upper)		1	
BD.26390	Hardura Felt, for Heater Box (Centre upper)		1	
BD.26391	Hardura Felt, for Heater Box (Side)		1	
BD.28066	Hardura Felt, for Plenum Chamber (Face)		1	
BD.26394	Hardura Felt, for R.H. face of Cubby Box		1	
BD.26393	Hardura Felt, for L.H. face of Cubby Box		1	
BD.26396	Hardura Felt, for centre of Instrument Board, R.H.		1	
BD.26395	Hardura Felt, for centre of Instrument Board, L.H.		1	
BD.17874	Hardura Felt, for top of R.H. Dash Panel		1	
BD.17873	Hardura Felt, for top of L.H. Dash Panel		1	
BD.26397/1	Hardura Felt, for Steering Column Bracket		2	
BD.26585	Hardura Felt, for top of Gearbox (20" x 18")		1	} NOT REQUIRED FOR CARS EQUIPPED WITH AUTOMATIC TRANSMISSION
BD.26587	Hardura Felt, for R.H. side of Gearbox (20" x 11")		1	
BD.26586	Hardura Felt, for L.H. side of Gearbox (20" x 11")		1	
BD.26589	Hardura Felt, for Gearbox Collar, R.H. (18" x 8")		1	
BD.26588	Hardura Felt, for Gearbox Collar, L.H. (18" x 8")		1	
BD.26401	Hardura Felt, for Bell Housing Collar, R.H.		1	
BD.26400	Hardura Felt, for Bell Housing Collar, L.H.		1	
BD.13213	Hardura Felt, for Dipstick side of Gearbox		1	
BD.26456	Hardura Felt, for Heater Motor Mounting Cover		1	
BD.26458	Hardura Felt, for Heater Casing Cover		1	
BD.25067	Hardura Felt, for Heater Casing Cover, rear		1	
BD.13230	Rubberised Felt, for R.H. Toe Board (18" x 13½")		1	} R.H. DRIVE CARS ONLY
BD.13229	Rubberised Felt, for L.H. Toe Board (21½" x 16")		1	
BD.17834	Rubberised Felt, for R.H. Toe Board		1	} L.H. DRIVE CARS ONLY
BD.26402	Rubberised Felt, for L.H. Toe Board		1	
BD.26404	Rubberised Felt, for R.H. outer face of Cubby Box		1	
BD.26403	Rubberised Felt, for L.H. outer face of Cubby Box		1	
BD.26406	Rubberised Felt, for R.H. inner face of Cubby Box		1	
BD.26405	Rubberised Felt, for L.H. inner face of Cubby Box		1	
BD.26407	Rubberised Felt, for upper face of Centre Instrument Board		1	
BD.26582	Rubberised Felt, for Scuttle Sides		2	
BD.17858	Rubberised Felt, for top of R.H. Dash Panel		1	
BD.17859	Rubberised Felt, for top of L.H. Dash Panel		1	
BD.26577	Rubberised Felt, for top of Gearbox (19" x 17")		1	} NOT REQUIRED FOR CARS EQUIPPED WITH AUTOMATIC TRANSMISSION
BD.26579	Rubberised Felt, for R.H. side of Gearbox (19" x 9")		1	
BD.26578	Rubberised Felt, for L.H. side of Gearbox (19" x 9")		1	

BODY FITTINGS

Part No.	Description	Plate No.	No. per Unit	Remarks	
INSULATING FELTS (Cont'd)					
BD.26411	Rubberised Felt, for R.H. side of Gearbox, front (15" x 10")		1	NOT REQUIRED FOR CARS EQUIPPED WITH AUTOMATIC TRANSMISSION	
BD.26410	Rubberised Felt, for L.H. side of Gearbox, front (15" x 10")		1		
BD.26581	Rubberised Felt, for R.H. side of Gearbox Collar (17" x 7")		1		
BD.26580	Rubberised Felt, for L.H. side of Gearbox Collar (17" x 7")		1		
BD.13232	Rubberised Felt, for Dipstick side of Gearbox (6" x 4")		1	SUPERSEDED BY BD.28847 (2 off)	
BD.26947	Rubberised Felt, for L.H. side of Tunnel (10" x 4")		1		
BD.13244	Rubberised Felt, under Scuttle Top Panel (7½" x 5½")		4		
BD.13245	Rubberised Felt, under Scuttle Top Panel (7½" x 4")		2		
BD.13246	Rubberised Felt, under Scuttle Top Panel (7½" x 3")		2	SUPERSEDED BY BD.28848	
BD.13247	Rubberised Felt, under Scuttle Top Panel (5¾" x 5½")		2		
BD.13248	Rubberised Felt, under Scuttle Top Panel (5½" x 4½")		1	SUPERSEDED BY BD.28849	
BD.13249	Rubberised Felt, under Scuttle Top Panel (5½" x 3½")		1		
BD.13251	Rubberised Felt, under Scuttle Top Panel (6½" x 6")		2	SUPERSEDED BY BD.28850	
BD.13252	Rubberised Felt, under Scuttle Top Panel (5½" x 5")		1		
BD.13255	Rubberised Felt, under Scuttle Top Panel (5½" x 3½")		1	SUPERSEDED BY BD.28850	
BD.13250	Rubberised Felt, under Scuttle Top Panel (6" x 6")		2		
BD.13253	Rubberised Felt, under Scuttle Top Panel (5" x 4½")		1	SUPERSEDED BY BD.28850	
BD.13254	Rubberised Felt, under Scuttle Top Panel (5½" x 3½")		1		
BD.26556	Rubberised Felt, for Front and Rear Door Glass Stop (3" x 3")		4		
BD.26425	Rubberised Felt, for Trunk Floor, front		2		
BD.26426	Rubberised Felt, for Trunk Bulkhead		1		
BD.26427	Rubberised Felt, for Trunk, under Parcel Shelf		1		
ANTI-DRUM MATERIAL					
BD.28847	Pad (Foam Rubber) under Scuttle Top Panel (6½" x 5½")		2	SUPERSEDES BD.13244, BD.13245, BD.13246	
BD.28848	Pad (Foam Rubber) under Scuttle Top Panel (5½" x 5½")		1		SUPERSEDES BD.13247, BD.13248, BD.13249
BD.28849	Pad, R.H. (Foam Rubber) under Scuttle Top Panel (5" x 3½")		1		
BD.28850	Pad, L.H. (Foam Rubber) under Scuttle Top Panel (5" x 3½")		1	SUPERSEDES BD.13250, BD.13253, BD.13254	
BD.18184	Flintkote, sealing Gearbox Cover at front		1	NOT REQUIRED FOR CARS EQUIPPED WITH AUTOMATIC TRANSMISSION	
BD.18185	Flintkote, sealing Gearbox Cover at rear		1		
BD.18186	Flintkote, sealing left side of Gearbox Cover		1		
BD.18187	Flintkote, sealing right side of Gearbox Cover		1		
BD.11665	Flintkote, for Rear Seat Squab		1		
BD.18147	Flintkote, for sides of Rear Seat Squab		1		
BD.25211	Hairlock Packing, behind R.H. side of Console		1		
HARDURA MATS					
BD.26466	Mat Assembly, for Trunk Floor		1		
BD.26469	Mat Assembly, for R.H. rear side of Trunk		1		
BD.26468	Mat Assembly, for L.H. rear side of Trunk		1		
BD.26473	Mat Assembly, for R.H. front side of Trunk		1		
BD.26472	Mat Assembly, for L.H. front side of Trunk		1		
BD.26484	Mat Assembly, for R.H. side of Trunk Lid		1		
BD.26483	Mat Assembly, for L.H. side of Trunk Lid		1		
BD.26485	Mat Assembly, for centre of Trunk Lid		1		
BD.26476	Mat Assembly, for Bulkhead		1		
BD.28927	Stud, securing Trunk Floor Mat Assembly (78/797)		2		
BD.22665	Socket, receiving Studs (78/404)		2		

BODY FITTINGS

Part No.	Description	Plate No.	No. per Unit	Remarks
BD.1286	'DURABLE DOT' FASTENER, SECURING TRUNK FLOOR MAT ASSEMBLY		5	
BD.1286/1	Button only		5	
BD.1286/2	Socket only		5	
BD.1286/3	Stud only		5	
BD.1814/2	Rivet, securing Fasteners to Floor		5	
INTERIOR TRIMMING				
BD.26486	Facing (Vynide) for Front Seat Brackets (10" x 3")		4	
BD.18040	Facing (Vynide) for Front of Rear Seat Pan (74" x 8")		1	
BD.18042	Facing (Vynide) for R.H. side of Rear Seat (29½" x 5½")		1	
BD.18041	Facing (Vynide) for L.H. side of Rear Seat (29½" x 5½")		1	
BD.24737	Facing (Vynide) for Cross Member, centre (19" x 12")		2	
BD.26488	Facing (Vynide) for Heater Duct, R.H. (13½" x 4")		1	
BD.26487	Facing (Vynide) for Heater Duct, L.H. (13½" x 4")		1	
BD.18043	Facing (Vynide) for Trim Board, Dash Side (12½" x 8")		2	
BD.18170	Pad (Polyurethane) for Trim Board		2	
BD.26489	Patch (Vynide) for Front Door, top front (8" x 4")		2	
BD.26490	Patch (Vynide) for Front Door, top rear (12" x 6")		2	
BD.26491	Patch (Vynide) for Front Door, lower rear (3½" x 2½")		2	
BD.26492	Patch (Vynide) for Front Door Pocket (30" x 12")		2	
BD.26493	Patch (Vynide) for Rear Door, front (3" x 3")		2	
BD.26494	Patch (Vynide) for Rear Door, centre (7" x 4")		2	
BD.26495	Patch (Vynide) for Rear Door, rear (11" x 6")		2	
BD.26496	Strip (Vynide) for Instrument Panel Cross Rail (54" x 1¼")		1	
BD.26497	Facing (Moquette) for Steering Column Bracket (10" x 6")		1	
BD.23944	TRIM PANEL ASSEMBLY, ON WINDSCREEN HEADER RAIL	81-1	1	
DA.404/6C	Screw, Self-Tapping, securing Trim Panel		4	
BD.23946	ROOF LINING		1	Fitted from Chassis No. 1B.1001 to 1B.6940 } 3-4 litre 1B.25001 to 1B.25925 } 1B.50001 to 1B.57960 } 3-8 litre 1B.75001 to 1B.79703 }
BD.28346	ROOF LINING (COMPLETE WITH HEADLINING) NOTE:- Roof Lining BD.28346 (Fibre Glass Mat) is pre-moulded to Roof Shape. It is fully interchangeable with Headlining BD.23946 (Cloth)		1	Fitted to Chassis No. 1B.6941 to 1B.8704 } 3-4 litre 1B.25926 to 1B.26239 } 1B.57961 to 1B.59541 } 3-8 litre 1B.79704 to 1B.80295 }
BD.32156	ROOF LINING		1	Fitted to Chassis No. 1B.8705 and subs. } 3-4 litre 1B.26240 and subs. } 1B.59542 and subs. } 3-8 litre 1B.80296 and subs. }

BODY FITTINGS

Part No.	Description	Plate No.	No. per Unit	Remarks
BD.25517	TRIM ROLL ASSEMBLY, ABOVE R.H. CANTRAIL	81-2	1	
BD.25516	TRIM ROLL ASSEMBLY, ABOVE L.H. CANTRAIL		1	
DA.404/6C	Screw, Self-Tapping, securing Trim Rolls		10	
BD.26174	Chrome Finisher, at rear of R.H. Trim Roll	81-3	1	
BD.26173	Chrome Finisher, at rear of L.H. Trim Roll		1	
DA.404/6C	Screw, Self-Tapping, securing Finishers		2	
BD.25519	TRIM PANEL ASSEMBLY, BETWEEN TRIM ROLL AND R.H. CANTRAIL CAPPING	81-4	1	
BD.25518	TRIM PANEL ASSEMBLY, BETWEEN TRIM ROLL AND L.H. CANTRAIL CAPPING		1	
DA.404/6C	Screw, Self-Tapping, securing Trim Panels		10	
C.22304	INTERIOR LAMP, AT TOP OF CENTRE PILLARS (6352)	81-5	2	
10184	Lens, Shield and Plinth Assembly (03737)		2	
10185	Base Assembly (03738)		2	
7880	Bulb (12v. 6w. Festoon) (254)		2	
DZC.504/6C	Screw, Self-Tapping, securing Interior Lamp to Capping		4	
BD.25523	R.H. TRIM ROLL ASSEMBLY, AT REAR OF ROOF	81-6	1	
BD.25522	L.H. TRIM ROLL ASSEMBLY, AT REAR OF ROOF		1	
BD.25974	Clip, retaining Trim Rolls (FT.2820)		10	
BD.25379	Bracket, fixing R.H. Rear Trim Roll	81-7	1	
BD.25378	Bracket, fixing L.H. Rear Trim Roll		1	
DA.404/6C	Screw, Self-Tapping, securing Brackets		8	

BODY FITTINGS

Part No.	Description	Plate No.	No. per Unit	Remarks
C.22304	INTERIOR LAMP, BETWEEN REAR TRIM ROLLS (6352)	81-8	1	
10184	Lens, Shield and Plinth Assembly (03737)		1	
10185	Base Assembly (03738)		1	
7880	Bulb (12v. 6w. Festoon) (254)		1	
DJJ.504/8C	Screw, Self-Tapping, securing Interior Lamp between Trim Rolls		2	
BD.8633/9	Spire Nut, on Self-Tapping Screws		2	
BD.25520	TRIM PANEL ASSEMBLY, ABOVE AND AT SIDES OF BACKLIGHT	81-9	1	
BD.18068	Clip, retaining Trim Panels		10	
BD.25087	BACKLIGHT GLASS (CLEAR GLASS)	81-10	1	STANDARD FITMENT
BD.28240	BACKLIGHT GLASS ('SUNDYM' GLASS)		1	SUPPLIED TO SPECIAL ORDER ONLY
BD.25283	BACKLIGHT GLASS (CLEAR GLASS)		1	ELECTRICALLY HEATED. SUPPLIED TO SPECIAL ORDER ONLY See also Optional Extras
BD.25284	BACKLIGHT GLASS ('SUNDYM' GLASS) ALTERNATIVE TO BD.25283		1	
BD.25297	RUBBER SEAL, AROUND BACKLIGHT GLASS	81-11	1	STANDARD FITMENT
BD.27125	RUBBER SEAL, AROUND BACKLIGHT GLASS		1	FOR USE WITH ELECTRICALLY HEATED BACKLIGHT
BD.25298	Insert, for Rubber Seal	81-12	1	
BD.25304	CHROME FINISHER, AT R.H. SIDE OF BACKLIGHT GLASS	81-13	1	
BD.25303	CHROME FINISHER, AT L.H. SIDE OF BACKLIGHT GLASS	81-14	1	

BODY FITTINGS

Part No.	Description	Plate No.	No. per Unit	Remarks
BD.19837	JOINT PIECE, FOR CHROME FINISHERS	81-15	2	
BD.32250	TRIM STRIP ASSEMBLY, ON PARCEL SHELF	81-16	1	
BD.21962	Clip, securing Trim Strip to Parcel Tray Trim Panel		11	
BD.30250	TRIM PANEL ASSEMBLY, ON PARCEL SHELF	81-17	1	
BD.21902	Clip, retaining Trim Panel to Parcel Shelf		3	
BD.25798	CUSHION ASSEMBLY, FOR REAR SEAT	81-18	1	Fitted from Chassis No. 1B.1001 to 1B.8670 3-4 litre 1B.25001 to 1B.26239 1B.50001 to 1B.59541 3-8 litre 1B.75001 to 1B.80295
BD.25727	REAR SEAT SQUAB ASSEMBLY	81-19	1	
BD.25854	Centre Armrest Assembly	81-20	1	
BD.25400	Hinge Linkage Assembly, at R.H. side of Armrest		1	
BD.25401	Hinge Linkage Assembly, at L.H. side of Armrest		1	
MC.108/10R	Woodscrew, securing Hinge Linkage to Armrest		6	
UFS.125/4R	Screw, Set, securing Hinge Linkage to Squab		4	
C.724	Washer, Shakeproof, on Setscrews		4	
FW.104/T	Washer, Plain, under Shakeproof Washers		4	
BD.13819/6	Screw, Set, securing Rear Seat Squab to Body		2	
C.724	Washer, Shakeproof, on Setscrews		2	
BD.542/3	Washer, Special, under Shakeproof Washers		2	
BD.33211	CUSHION ASSEMBLY, FOR REAR SEAT		1	
BD.33216	REAR SEAT SQUAB ASSEMBLY		1	
BD.33220	Centre Armrest Assembly		1	
	Other items are as for BD.25727			
BD.26335	TRIM PANEL ASSEMBLY, FOR R.H. REAR QUARTER	81-21	1	

BODY FITTINGS

Part No.	Description	Plate No.	No. per Unit	Remarks
BD.26334	TRIM PANEL ASSEMBLY, FOR L.H. REAR QUARTER	81-22	1	
DAC.604/12C	Screw, Self-Tapping, securing Trim Panels		4	
BD.532/1	Cup Washer, on Screws		4	
DAZ.404/12C	Screw, Self-Tapping, securing Trim Panels		2	
BD.26339	TRIM PANEL ASSEMBLY, FOR R.H. REAR WHEEL ARCH	81-23	1	
BD.26338	TRIM PANEL ASSEMBLY, FOR L.H. REAR WHEEL ARCH	81-24	1	
DAC.604/16C	Screw, Self-Tapping, securing Wheel Arch Panels		6	
BD.532/1	Cup Washer, on Screws		6	
BD.14989	TREAD PLATE, ON R.H. REAR DOOR SILL		1	
BD.14988	TREAD PLATE, ON L.H. REAR DOOR SILL	81-25	1	
DA.504/8C	Screw, Self-Tapping, securing Tread Plates		6	
BD.4951	RUBBER BUFFER, FOR REAR DOOR STOP	81-26	2	
BD.26466	MAT ASSEMBLY, ON TRUNK FLOOR	81-27	1	
BD.1286	DURABLE DOT FASTENER, SECURING MAT TO TRUNK FLOOR		5	
BD.1286/1	Button only		5	
BD.1286/2	Socket only		5	
BD.1286/3	Stud only		5	
BD.1814/2	Rivet, securing Fasteners to Floor		5	
BD.20387	COVER PLATE, IN TRUNK FLOOR, OVER REAR SUSPENSION		2	
BD.20388	Rubber Gasket, under Cover Plates		2	
DAZ.408/8C	Screw, Self-Tapping, securing Cover Plates		8	

BODY FITTINGS

Part No.	Description	Plate No.	No. per Unit	Remarks
BD.11007	SPARE WHEEL CLAMP ASSEMBLY	81-28	1	
BD.10637	Handle, operating Spare Wheel Clamp		1	
BD.11008	Screw		1	
BD.10639	Plate, on Screw, holding down Spare Wheel		1	
C.704/1	Mills Pin, securing Handle to Screw		1	
BD.29876	TOOL CONTAINER ASSEMBLY	81-29	1	See also Tool Kit
BD.25902	STRAP, SECURING JACK IN TRUNK FLOOR	81-30	1	
BD.25900	Hook Buckle, for Strap	81-31	1	
BD.25901	Toggle Clamp, for Strap	81-32	1	
BD.26084	Pivot Bolt, securing Strap to Floor	81-33	1	
C.8737/1	Nut, Self-Locking, on Pivot Bolt		1	
BD.541/31	Washer, Special, under Nut		1	
BD.21899	RUBBER GROMMET CUSHIONING JACK	81-34	2	
BD.25925	Rubber Strip, retaining Jack	81-35	1	
BD.26738	RUBBER STOP, FOR JACK HANDLE	81-36	1	
DAZ.810/12C	Screw, Self-Tapping, securing Rubber Stop		1	
AW.102/T	Washer, Plain, on Self-Tapping Screw		1	
BD.25922	RUBBER CLIP, SECURING WHEEL BRACE	81-37	1	
BD.25923	Retaining Clip, securing Rubber Clip		1	
DA.506/12C	Screw, Self-Tapping, securing Retaining Clip to Body		2	
BD.25926	GROMMET (POLYTHENE) SECURING WHEEL BRACE	81-38	1	
BD.26359	CASING, AT R.H. SIDE OF TRUNK	81-39	1	

BODY FITTINGS

Part No.	Description	Plate No.	No. per Unit	Remarks
BD.26360	CASING, AT L.H. SIDE OF TRUNK	81-40	1	
DAJ.604/8C	Screw, Self-Tapping, securing Casings		8	
BD.532/6	Cup Washer, on Self-Tapping Screws		8	
BD.26217	COVER, AT REAR OF TRUNK LID		1	
DJJ.606/8C	Screw, Self-Tapping, securing Cover		2	
BD.532/7	Cup Washer, on Self-Tapping Screws		2	
BD.8633/4	Spire Nut, on Self-Tapping Screws		2	
BD.20058	TRUNK LID LOCK CONTROL ASSEMBLY (WB.3/16196)	81-41	1	
BD.21029	Locking Barrel, in Boot Lid Lock Control (WB.3/16132)		1	
BD.20063	Gasket, between Lock Control and Boot Lid (WB.3/16140)	81-42	1	
UFS.119/4R	Screw, Set, securing Lock Control		3	
C.723/A	Washer, Shakeproof, on Setscrews		3	
AW.102/T	Washer, Plain, under Shakeproof Washers		3	
BD.25347	RELEASE MECHANISM ASSEMBLY, FOR OPERATION OF TRUNK LID LOCKS (WB.3/12006)	81-43	1	
BD.19573	Clip, retaining Release Mechanism to Control and Locks		3	
BD.19575	Washer, Wavy, on Locks behind Clips		2	
UFS.125/4R	Screw, Set, securing Release Mechanism		2	
C.724	Washer, Shakeproof, on Setscrews		2	
BD.541/20	Washer, Special, under Shakeproof Washers		2	
BD.20061	LOCK ASSEMBLY, AT R.H. SIDE OF BOOT LID (WB.3/16193)	81-44	1	
BD.20060	LOCK ASSEMBLY, AT L.H. SIDE OF BOOT LID (WB.3/16194)	81-45	1	
AS.402/5H	Screw, Set, securing Locks		8	
C.723	Washer, Shakeproof, on Setscrews		8	
AW.102/T	Washer, Plain, under Shakeproof Washers		8	
BD.20062	STRIKER, FOR TRUNK LID LOCKS	81-46	2	
UFS.525/4H	Screw, Set, securing Strikers		4	
BD.2906/5	Washer, Shakeproof, on Setscrews		4	
BD.19780	Shim, for adjustment of Strikers (11330/0287)		As req'd	

BODY FITTINGS

Part No.	Description	Plate No.	No. per Unit	Remarks
BD.21896	RUBBER BUFFER, AT LOWER EDGE OF BOOT LID		2	
DAC.504/8C BD.532/1	Screw, Self-Tapping, securing Buffers Cup Washer, on Self-Tapping Screws		2 2	
BD.21528/2	SEALING RUBBER AROUND TRUNK LID APERTURE (148" LONG)	81-47	1	
BD.6581	RUBBER PLUG, IN SLOTS OF REAR NUMBER PLATE PANEL	81-48	4	
BD.20886	CHROME BEADING, AT SIDES OF REAR NUMBER PLATE PANEL	81-49	2	
BD.20887 BD.21040 BD.22444	Nylon Bolt, securing Beading Special Nut, on Nylon Bolts Sealing Ring (Polythene) under Nuts	81-50	6 6 6	
C.17188	REAR NUMBER PLATE ILLUMINATION LAMP (53943A)	81-51	1	NOT REQUIRED FOR CARS EXPORTED TO FRANCE
C.17189	REAR NUMBER PLATE ILLUMINATION LAMP (53944A)		1	FOR USE ONLY ON CARS EXPORTED TO FRANCE
BD.9868/3	Beading, between Number Plate Lamp and Trunk Lid	81-52	1	
BD.17726	'JAGUAR' EMBLEM, ON TRUNK LID	81-53	1	SUPERSEDED BY BD.26762
BD.26762	'JAGUAR' EMBLEM, ON TRUNK LID		1	SUPERSEDES BD.17726
BD.26430	'3-4S' EMBLEM, ON TRUNK LID	81-54	1	FOR 3-4 LITRE CARS. SUPERSEDED BY BD.26764
BD.26764	'3-4S' EMBLEM, ON TRUNK LID		1	FOR 3-4 LITRE CARS. SUPERSEDES BD.26430

BODY FITTINGS

Part No.	Description	Plate No.	No. per Unit	Remarks
BD.26431	'3-8S' EMBLEM, ON TRUNK LID		1	FOR 3-8 LITRE CARS. SUPERSEDED BY BD.26765
BD.26765	'3-8S' EMBLEM, ON TRUNK LID		1	FOR 3-8 LITRE CARS. SUPERSEDES BD.26431
BD.10735	Spire Fixing, securing Emblems		5 5	SUPERSEDED BY BD.25659
BD.15293	Rubber Seal, under Spire Fixings			
BD.25659	Friction Bush, securing Emblems		5	SUPERSEDES BD.10735 AND BD.15293
BD.4321	RUBBER STOP, FOR PETROL FILLER DOORS		4	
BD.25310	REAR BUMPER ASSEMBLY, COMPLETE		1	
BD.25215	Bar Assembly only	81-55	1	
BD.25274	Override Assembly, at R.H. side of Rear Bumper	81-56	1	
BD.25275	Override Assembly, at L.H. side of Rear Bumper	81-57	1	
BD.25318	Beading, between Overrides and Rear Bumper	81-58	4	
UFB.125/8R	Bolt, securing Overrides to Bumper		2	
FG.104/X	Washer, Spring, on Bolts		2	
FW.204/T	Washer, Plain, under Spring Washers		2	
BD.21172	Grip Nut, receiving Bolts (SM/D/08/1/8)		2	
BD.25296	Stud, fixing Overrides to Rear Bumper	81-59	2	
BD.11006	Grip Nut, retaining Studs (RM.59592)		2	
UFN.137/L	Nut, securing Overrides to Rear Bumper		2	
FG.106/X	Washer, Spring, under Nuts		2	
FW.206/T	Washer, Plain, under Spring Washers		2	
BD.9927	REAR BUMPER MOUNTING (RUBBER)	81-60	4	
UFN.131/L	Nut, securing Mountings to Body at rear		4	
BD.21376	Dome Nut, securing Mountings to Body at sides		4	
FG.105/X	Washer, Spring, under Nuts		8	
BD.25217	BRACKET, INNER, R.H., FIXING REAR BUMPER TO BODY	81-61	1	
BD.25216	BRACKET, INNER, L.H., FIXING REAR BUMPER TO BODY	81-62	1	

BODY FITTINGS

Part No.	Description	Plate No.	No. per Unit	Remarks
BD.25218	BRACKET, OUTER, FIXING REAR BUMPER TO BODY	81-63	2	
BD.9604/3	Screw, Set, securing Brackets to Rear Bumper		4	
BD.9604/1	Screw, Set, securing Brackets to Rear Bumper		4	
C.726	Washer, Shakeproof, on Setscrews		8	
FW.106/T	Washer, Plain, under Shakeproof Washers		8	
BD.11006	Grip Nut, receiving Setscrews		8	
BD.9603/1	Screw, Set, securing Brackets to Rubber Mountings		4	
C.728	Washer, Shakeproof, on Setscrews		4	
FW.108/T	Washer, Plain, under Shakeproof Washers		4	
BD.17126	CHROME FINISHER, AT REAR OF L.H. DRIP BEAD	82-1	1	
BD.17127	CHROME FINISHER, AT REAR OF R.H. DRIP BEAD	82-2	1	
BD.17128	CHROME FINISHER, AT FRONT OF L.H. DRIP BEAD	82-3	1	
BD.17129	CHROME FINISHER, AT FRONT OF R.H. DRIP BEAD	82-4	1	
BD.17139	JOINT PIECE, AT CENTRE OF DRIP BEAD FINISHERS	82-5	2	
DAC.504/6C	Screw, Self-Tapping, securing Joint Pieces		2	
BD.10975	CHROME BEAD, AT FRONT OF BONNET TOP	82-6	1	} FOR USE ONLY WHEN JAGUAR MASCOT IS FITTED
BD.9848	Special Stud, fixing Front Bead	82-7	1	
UCN.116/L	Nut, on Stud		1	
C.722	Washer, Shakeproof, under Nut		1	
BD.10976	CHROME BEAD, AT REAR OF BONNET TOP	82-8	1	
BD.9851	Clip, securing Bonnet Top Bead	82-9	10	

BODY FITTINGS

Part No.	Description	Plate No.	No. per Unit	Remarks
BD.10954	JAGUAR MASCOT	82-10	1	
UCS.125/4R	Screw, Set, securing Mascot to Bonnet		2	
C.724	Washer, Shakeproof, on Setscrews		2	
FW.104/T	Washer, Plain, under Shakeproof Washers		2	
BD.9717	CHROME BEAD, FOR BONNET TOP		1	FOR USE WHEN JAGUAR MASCOT IS NOT FITTED
BD.9851	Clip, securing Chrome Bead to Bonnet Top		10	
BD.9718	CHROME BEAD, AT L.H. SIDE OF BONNET	82-11	1	
BD.9719	CHROME BEAD, AT R.H. SIDE OF BONNET	82-12	1	
BD.11546	Staple, fixing Bonnet side Beads	82-13	24	
BD.9720	CHROME BEAD, AT L.H. SIDE OF SCUTTLE PANEL	82-14	1	
BD.9721	CHROME BEAD, AT R.H. SIDE OF SCUTTLE PANEL	82-15	1	
BD.11719	Clip, securing Beads to Scuttle Panels	82-16	6	SUPERSEDED BY BD.28982 SUPERSEDES BD.11719
BD.28982	Clip, securing Beads to Scuttle Panels		4	
DAZ.404/8C	Screw, Self-Tapping, securing Clips		6	
BD.17087	CHROME BEAD, FOR L.H. FRONT DOOR	82-17	1	
BD.17088	CHROME BEAD, FOR R.H. FRONT DOOR	82-18	1	
BD.9851	Clip, securing Beads to Front Doors	82-19	14	Fitted from Chassis No. 1B.1001 to 1B.7979 } 3-4 litre 1B.25001 to 1B.26134 } 1B.50001 to 1B.59011 } 3-8 litre 1B.75001 to 1B.80260 }
BD.26706/2	Retainer and Rivet, securing Beads to Front Doors		10	
BD.9848	Stud, securing Beads at front end	82-20	2	Fitted to Chassis No. 1B.7980 and subs. } 3-4 litre 1B.26135 and subs. } 1B.59012 and subs. } 3-8 litre 1B.80261 and subs. }
UCN.116/L	Nut, on Studs		2	
C.722	Washer, Shakeproof, under Nuts		2	

BODY FITTINGS

Part No.	Description	Plate No.	No. per Unit	Remarks
BD.25220	OUTSIDE HANDLE, FOR L.H. FRONT DOOR	82-21	1	
BD.25221	OUTSIDE HANDLE, FOR R.H. FRONT DOOR	82-22	1	
BD.9846	CHROME BEAD, ON 'B/C' POSTS	82-23	2	
UFN.119/L	Nut, securing Beads to 'B/C' Posts		2	
C.723/A	Washer, Shakeproof, under Nuts		2	
AW.102/T	Washer, Plain, under Shakeproof Washers		2	
BD.17086	CHROME BEAD, FOR REAR DOORS	82-24	2	
BD.9851	Clip, securing Beads to Rear Doors	82-25	12	Fitted from Chassis No. 1B.1001 to 1B.7979 } 3-4 litre 1B.25001 to 1B.26134 } 1B.50001 to 1B.59011 } 3-8 litre 1B.75001 to 1B.80260 }
BD.26706/2	Retainer and Rivet, securing Bead to Rear Doors		10	Fitted to Chassis No.
BD.11719	Clip, securing Beads at front end	82-26	2	1B.7980 and subs. } 3-4 litre
BD.1814/1	Pop Rivet, securing Clips		2	1B.26135 and subs. } 1B.59012 and subs. } 3-8 litre 1B.80261 and subs. }
BD.25238	OUTSIDE HANDLE, FOR L.H. REAR DOOR	82-27	1	
BD.25239	OUTSIDE HANDLE, FOR R.H. REAR DOOR	82-28	1	
BD.25577	CHROME BEAD, AT L.H. SIDE OF TONNEAU	82-29	1	
BD.25578	CHROME BEAD, AT R.H. SIDE OF TONNEAU	82-30	1	
BD.25644	Friction Bush, securing Beads	82-31	4	
BD.25962	CHROME BEAD, AT TOP OF L.H. FRONT DOOR	82-32	1	

BODY FITTINGS

Part No.	Description	Plate No.	No. per Unit	Remarks
BD.25963	CHROME BEAD, AT TOP OF R.H. FRONT DOOR	82-33	1	
DAJ.204/6C	Screw, Self-Tapping, securing Beads		8	
DAZ.406/6C	Screw, Self-Tapping, securing Beads		2	
2179	Rubber Buffer, on inside of Beads		2	
BD.25533	CHROME FINISHER, ON 'B/C' POST	82-34	2	
DAC.504/6C	Screw, Self-Tapping, securing Finishers		8	
BD.25964	CHROME BEAD, AT TOP OF L.H. REAR DOOR	82-35	1	
BD.25965	CHROME BEAD, AT TOP OF R.H. REAR DOOR	82-36	1	
DAZ.406/6C	Screw, Self-Tapping, securing Beads		2	
BD.26706/4	Retainer and Rivet, securing Beads		8	
BD.25235	R.H. FRONT DOOR (COMPLETE WITH ALL FITTINGS)		1	
BD.25234	L.H. FRONT DOOR (COMPLETE WITH ALL FITTINGS)		1	
BD.11596	Mutocel, on Front Doors (20½" x 16½")		2	
BD.11597	Mutocel, on Front Doors (10" x 9½")		2	
BD.11599	Felt, on Front Doors (12" x 3")		2	
BD.25226	LOCK ASSEMBLY, IN R.H. FRONT DOOR (WB.3/11900)		1	Fitted from Chassis No. 1B.1001 to 1B.8591 } 3-4 litre 1B.25001 to 1B.26224 } 1B.50001 to 1B.59504 } 3-8 litre 1B.75001 to 1B.80283 }
BD.25225	LOCK ASSEMBLY, IN L.H. FRONT DOOR (WB.3/11901)	83-1	1	
BD.32428	LOCK ASSEMBLY, IN R.H. FRONT DOOR		1	Fitted to Chassis No. 1B.8592 and subs. } 3-4 litre 1B.26225 and subs. } 1B.59505 and subs. } 3-8 litre 1B.80284 and subs. }
BD.32429	LOCK ASSEMBLY, IN L.H. FRONT DOOR		1	

BODY FITTINGS

Part No.	Description	Plate No.	No. per Unit	Remarks
BD.32396	CLIP AND BUSH ASSEMBLY (270-EM604-00)		2	Fitted to Chassis No. 18.8592 and subs. } 3-4 litre 18.26225 and subs. } 18.59505 and subs. } 3-8 litre 18.80284 and subs. }
BD.25228	DOVETAIL PLATE, ON R.H. FRONT DOOR SHUT FACE (WB.3/11611)		1	
BD.25227	DOVETAIL PLATE, ON L.H. FRONT DOOR SHUT FACE (WB.3/11612)	83-2	1	
BD.16940/2	Screw, Set (Countersunk Head) securing Dovetail Plate to Shut Face		6	
BD.34838	STRIKER ASSEMBLY, FOR R.H. FRONT DOOR LOCK (WB.3/13667)		1	
BD.34839	STRIKER ASSEMBLY, FOR L.H. FRONT DOOR LOCK (WB.3/13668)	83-3	1	
BD.26803	Shim, behind Striker (.080" thick)		As req'd	
BD.26804	Shim, behind Striker (.048" thick)		As req'd	
BD.21509/7	Screw, Set, securing Striker Assemblies to 'B/C' Posts		6	
BD.10728	INSIDE HANDLE, FOR FRONT DOORS (WB.1/3859)	83-4	2	
BD.24952/2	Rubber Thrust Pad, packing Door Handles		4	
BD.25221	OUTSIDE HANDLE (LOCKING) FOR R.H. FRONT DOOR (WB.1/11788)		1	
8187	Locking Barrel (complete with Keys) (1/8018)		1	
8189	Operating Lever (1/8020)		1	
8184	Push Button (1/8015)		1	
11240	Return Spring, for Push Button (RS.41/432)		1	
8192	Circlip, retaining Mechanism (RS.84/3)		1	
UFS.119/7A	Screw, Set, securing Base Plate to Handle		2	
C.723/A	Washer, Shakeproof, on Setscrews		2	
BD.25220	OUTSIDE HANDLE (LOCKING) FOR L.H. FRONT DOOR (WB.1/11787)	83-5	1	
8186	Locking Barrel (complete with Keys) (1/8017)		1	
8188	Operating Lever (1/8019)		1	
	All other items are as for Handle BD.25221			
BD.18126	Seating Washer, at rear end of Front Outside Door Handles	83-6	2	
UCN.119/L	Nut, securing Outside Door Handles		4	
C.723/A	Washer, Shakeproof, under Nuts		4	

BODY FITTINGS

Part No.	Description	Plate No.	No. per Unit	Remarks
BD.25222	DROP LINK, CONNECTING OUTSIDE DOOR HANDLES TO LOCKS (WB.1/11777)	83-7	2	
BD.25223	Spring , behind Drop Links (RS41/507)		2	
BD.25224	Washer (Starlock) retaining Links		2	
BD.23473	Clip , retaining Links (WB.1/11517)	83-8	2	
BD.541/29	Washer , Special, under Clips		2	
BD.25233	REMOTE CONTROL AND LINK ASSEMBLY, FOR OPERATION OF R.H. FRONT DOOR LOCK (WB.3/11904)		1	
BD.25232	REMOTE CONTROL AND LINK ASSEMBLY, FOR OPERATION OF L.H. FRONT DOOR LOCK (WB.3/11905)	83-9	1	
DJZ.410/6C	Screw , Self-Tapping, securing Remote Controls to Front Doors		6	
BD.8633/2	Spire Nut , on Self-Tapping Screws		6	
BD.19575	Washer , Wavy, at connection of Link to Lock		2	
BD.23473	Spring Clip , securing Link to Lock		2	
BD.19574	Washer , Special, behind Spring Clips		2	
BD.29609	Grommet , on Door Panel, preventing Vibration of Remote Control		4	
BD.25288	SAFETY CATCH ASSEMBLY, FOR R.H. FRONT DOOR (WB.3/17896)		1	
BD.25287	SAFETY CATCH ASSEMBLY, FOR L.H. FRONT DOOR (WB.3/17897)	83-10	1	
BD.26773	Bearing Plate , supporting Spindle	83-11	2	
BD.14399/4	Screw , Set, securing Safety Catches and Bearing Plates to Door Frames		4	
C.723/A	Washer , Shakeproof, on Screws		4	
AW.102/T	Washer , Plain, under Shakeproof Washers		4	
BD.24966	Clip , securing Safety Catch Link to Door Locks		2	
BD.4240	BUTTON, OPERATING SAFETY CATCH ON R.H. FRONT DOOR (1/3298)		1	
BD.4241	BUTTON, OPERATING SAFETY CATCH ON L.H. FRONT DOOR (1/3299)	83-12	1	
BD.4242	Screw (Countersunk Head) securing Buttons		2	
BD.4243	Washer , Shakeproof, on Screws		2	

BODY FITTINGS

Part No.	Description	Plate No.	No. per Unit	Remarks
BD.18296	WINDOW REGULATOR ASSEMBLY, IN R.H. FRONT DOOR (271/1102)		1	
BD.18297	WINDOW REGULATOR ASSEMBLY, IN L.H. FRONT DOOR (271/1103)	83-13	1	
UFS.425/2.5H C.724	Screw, Set, securing Regulators (UMF.161/P.05) Washer, Shakeproof, on Setscrews		16 16	
BD.17581	DEFLECTOR PLATE, PREVENTING INGRESS OF WATER TO WINDOW REGULATOR MECHANISM	83-14	2	
BD.18189 BD.1814/2	Sealing Strip (Flintkote) for Deflector Plate Pop Rivet, securing Deflector Plate to Inner Door Panel		2 4	
BD.10729	HANDLE, OPERATING FRONT DOOR WINDOW REGULATOR (WB.1/6671)	83-15	2	
BD.10730	OUTER ESCUTCHEON, FOR REGULATOR HANDLES AND INSIDE DOOR HANDLES (W.128)	83-16	4	
BD.10731	INNER ESCUTCHEON, FOR REGULATOR HANDLES AND INSIDE DOOR HANDLES (W.129)	83-17	4	
BD.10732	SPRING, BEHIND ESCUTCHEONS (41/379)	83-18	4	
BD.10734 BD.10733	Rubber Plug, behind Handles Peg, securing Handles to Locks and Regulators		4 4	
BD.24974	FRAME, FOR WINDOW IN R.H. FRONT DOOR, COMPLETE WITH NO DRAUGHT VENTILATOR		1	
BD.24973	FRAME, FOR WINDOW IN L.H. FRONT DOOR, COMPLETE WITH NO DRAUGHT VENTILATOR		1	

BODY FITTINGS

Part No.	Description	Plate No.	No. per Unit	Remarks
BD.24819	FRAME ONLY, FOR WINDOW IN R.H. FRONT DOOR		1	
BD.24818	FRAME ONLY, FOR WINDOW IN L.H. FRONT DOOR	83-19	1	
UFS.125/7R	Screw, Set, securing Window Frames to Doors at bottom		4	
BD.541/20	Washer, Special, on Setscrews		6	
C.724	Washer, Shakeproof, on Setscrews		4	
UFN.125/L	Nut, on Setscrews		2	
BD.14399/3	Screw, Set, securing Window Frames to Doors at Waist		6	
BD.14399/6	Screw, Set, securing Window Frames to Doors at Waist		2	
C.723/A	Washer, Shakeproof, on Setscrews		8	
AW.102/T	Washer, Plain, on Setscrews		8	
BD.24846	GLASS, FOR WINDOWS IN FRONT DOORS	83-20	2	
BD.17059	REGULATOR CHANNEL, FOR FRONT DOOR GLASS	83-21	2	
BD.4714	Everseal Strip, in Regulator Channels		2	
BD.5195/2	FELT, IN TOP RAIL OF WINDOW FRAMES (19" LONG)	83-22	2	
BD.21070/1	SEAL, IN FORWARD RAIL OF WINDOW FRAMES (30" LONG)	83-23	2	
BD.21070/2	SEAL, IN REAR RAIL OF WINDOW FRAMES (31" LONG)	83-24	2	
BD.16792	SEAL (PRESTIK) BETWEEN NO DRAUGHT VENTILATOR RAIL AND DOOR	83-25	2	
BD.21073/3	SEAL (NEOPRENE) BETWEEN TOP OF FRONT DOOR AND GLASS	83-26	2	

BODY FITTINGS

Part No.	Description	Plate No.	No. per Unit	Remarks
BD.11605/1	DRAUGHT PIPING, FOR FRONT DOORS (65½" LONG)		2	
BD.11605/2	DRAUGHT PIPING, AT FRONT OF 'B/C' POSTS (42½" LONG)		2	
BD.18268	SEALING RUBBER, FOR R.H. FRONT DOOR HINGE PILLAR		1	
BD.10666 BD.1814/2	Retainer, for Sealing Rubber Pop Rivet, securing Seal Retainers		1 6	
BD.18267	SEALING RUBBER, FOR L.H. FRONT DOOR HINGE PILLAR	83-27	1	
BD.10665 BD.1814/2	Retainer, for Sealing Rubber Pop Rivet, securing Seal Retainers		1 6	
BD.21361	SEALING RUBBER, ON HINGE FACE AT WAIST LEVEL, ON R.H. FRONT DOOR (8" LONG)		1	
BD.21362	SEALING RUBBER, ON HINGE FACE AT WAIST LEVEL, ON L.H. FRONT DOOR (8" LONG)	83-28	1	
BD.19156	SEALING RUBBER, FOR R.H. FRONT DOOR SHUT PILLAR		1	
BD.19155	SEALING RUBBER, FOR L.H. FRONT DOOR SHUT PILLAR	83-29	1	
BD.17356	FILLER PIECE, ON SHUT FACE PANEL AT WAIST LEVEL, ON R.H. FRONT DOOR		1	

BODY FITTINGS

Part No.	Description	Plate No.	No. per Unit	Remarks
BD.17355	FILLER PIECE, ON SHUT FACE PANEL AT WAIST LEVEL, ON L.H. FRONT DOOR	83-30	1	
BD.17357	Plywood Packing , under Filler Pieces		2	Fitted to Chassis No. 1B.1002 and subs. } 3-4 litre 1B.25004 and subs. } 1B.50264 and subs. } 3-8 litre 1B.75050 and subs. }
BD.26835	Rubber Plug , between Window Frame and Shut Pillar of Front Doors		2	
DA.604/10C	Screw , Self-Tapping, securing Filler Pieces		4	
BD.18271	SEALING RUBBER, FOR FRONT DOOR SILLS (37" LONG)	83-31	2	FOR CARS WITH FOUR DRAIN HOLES IN BOTTOM OF DOORS
BD.28005	SEALING RUBBER, FOR FRONT DOOR SILLS (36⁷/₈" LONG)		2	REQUIRED FOR CARS WITH TWO DRAIN SLOTS IN BOTTOM OF DOORS
BD.24938	NO DRAUGHT VENTILATOR, COMPLETE, FOR L.H. FRONT DOOR	83-32	1	
BD.17068	Glass only , for No Draught Ventilator		1	
BD.1300	Everseal , between Glass and Frame (14" long)		1	
BD.1300	Everseal , between Glass and Frame (12" long)		1	
BD.24957	Locking Handle , for No Draught Ventilator	83-33	1	
BD.26195	Rubber Washer , behind Locking Handle	83-34	1	
BD.18073	Peg , securing Locking Handle to Bolt on Inner Frame	83-35	1	
BD.24959	Plunger , for Vent Catch	83-36	1	
BD.24960	Spring , for Vent Catch	83-37	1	
BD.24962	Bolt , securing Locking Handle to Inner Frame	83-38	1	
BD.25354	Washer (Fibre) on Bolt	83-39	1	
BD.24961	Nut , on Bolt	83-40	1	
BD.27742	Washer (Fibre) under Nut		2	
BD.24939	NO DRAUGHT VENTILATOR, COMPLETE, FOR R.H. FRONT DOOR		1	
BD.24958	Locking Handle , for No Draught Ventilator		1	
	All other items are as for BD.24938			
BD.17250	UPPER PIVOT ARM, FOR NO DRAUGHT VENTILATOR, IN R.H. FRONT DOOR		1	
BD.17249	UPPER PIVOT ARM, FOR NO DRAUGHT VENTILATOR, IN L.H. FRONT DOOR	83-41	1	
BD.17253	Pin , for Upper Pivots	83-42	2	
BD.26619/1	Screw , Set, securing Upper Pivot Arms to Window Frames		4	

BODY FITTINGS

Part No.	Description	Plate No.	No. per Unit	Remarks
BD.9647	INDEX SLEEVE, FOR LOWER PIVOT SPINDLE, CONTROLLING OPENING ANGLE OF NO DRAUGHT VENTILATORS	83-43	2	
BD.9657	Bush, on Lower Pivot Spindles engaging with Index Sleeve		2	Fitted from Chassis No. 1B.1001 to 1B.1016 } 3-4 litre 1B.25001 to 1B.25009 } 1B.50001 to 1B.50361 } 3-8 litre 1B.75001 to 1B.75062 }
BD.26841	Bush, on Lower Pivot Spindles engaging with Index Sleeve on R.H. Front Door		1	Fitted to Chassis No. 1B.1017 and subs. } 3-4 litre 1B.25010 and subs. } 1B.50362 and subs. } 3-8 litre 1B.75063 and subs. }
BD.26840	Bush, on Lower Pivot Spindles engaging with Index Sleeve on L.H. Front Door	83-44	1	
BD.9651	Spring, on Lower Pivot Spindles, below Index Sleeves	83-45	2	
BD.18067	Pin, tensioning Spring		2	
UFN.119/L	Nut, locking Springs and Index Sleeves to Lower Pivot Spindles		4	
AW.102/T	Washer, Plain, under Nuts		2	
BD.17049	SEALING RUBBER, FOR NO DRAUGHT VENTILATOR, IN R.H. FRONT DOOR		1	
BD.17048	SEALING RUBBER, FOR NO DRAUGHT VENTILATOR, IN L.H. FRONT DOOR	83-46	1	
BD.26141	CASING ASSEMBLY, FOR R.H. FRONT DOOR (COMPLETE WITH POCKET LID ASSEMBLY, BUT LESS ARMREST)		1	Fitted from Chassis No. 1B.1001 to 1B.8707 } 3-4 litre 1B.25001 to 1B.26238 } 1B.50001 to 1B.59540 } 3-8 litre 1B.75001 to 1B.80294 }
BD.26145	Pocket Lid Assembly		1	
BD.18068	Clip, securing Casing to Front Door		19	
BD.26140	CASING ASSEMBLY, FOR L.H. FRONT DOOR (COMPLETE WITH POCKET LID ASSEMBLY, BUT LESS ARMREST)	83-47	1	
BD.26144	Pocket Lid Assembly	83-48	1	
BD.18068	Clip, securing Casing to Front Door		19	
DA.504/8C	Screw, Self-Tapping, securing Casings to top of Front Doors		8	
BD.30901	CASING ASSEMBLY, FOR R.H. FRONT DOOR (COMPLETE WITH POCKET LID ASSEMBLY, LESS ARMREST)		1	Fitted to Chassis No. 1B.8708 and subs. } 3-4 litre 1B.26239 and subs. } 1B.59541 and subs. } 3-8 litre 1B.80295 and subs. }
BD.26145	Pocket Lid Assembly		1	
BD.18068	Clip, securing Casing to Front Door		19	

BODY FITTINGS

Part No.	Description	Plate No.	No. per Unit	Remarks
BD.30902	CASING ASSEMBLY, FOR L.H. FRONT DOOR (COMPLETE WITH POCKET LID ASSEMBLY, LESS ARMREST)		1	Fitted to Chassis No. 1B.8708 and subs. } 3-4 litre 1B.26239 and subs. } 1B.59541 and subs. } 3-8 litre 1B.80295 and subs. }
BD.21644	Pocket Lid Assembly		1	
BD.18068	Clip, securing Casing to Front Door		19	
DA.504/8C	Screw, Self-Tapping, securing Casings to top of Front Doors		8	
BD.26144	POCKET LID ASSEMBLY, ON L.H. FRONT DOOR CASING	83-48	1	
BD.26128	Pull, on Pocket Lid	83-49	1	
BD.26308	Dome Nut, securing Pull to Pocket Lid		2	
AW.102/T	Washer, Plain, under Nut		2	
BD.17473	Pocket Strap	83-50	1	
BD.26667	Hook, on Pocket Strap	83-51	1	
BD.26651	Guide, on Pocket Strap	83-52	1	
MC.304/4R	Woodscrew, securing Guide to Pocket Lid		4	
BD.532/1	Cup Washer, on Woodscrews		4	
BD.26145	POCKET LID ASSEMBLY, ON R.H. FRONT DOOR CASING		1	
	Individual items are as for BD.26144			
BD.26078	ARMREST ASSEMBLY (TRIMMED) FOR L.H. FRONT DOOR	83-53	1	
BD.26161	Chrome Finisher, in Hand Pull on Armrest	83-54	1	
DAC.604/8C	Screw, Self-Tapping, securing Finisher		2	
BD.22931	Chrome Finisher, in Screw apertures in Armrest	83-55	2	
BD.26079	ARMREST ASSEMBLY (TRIMMED) FOR R.H. FRONT DOOR		1	
	Individual items are as for BD.26078			
DJZ.810/20C	Screw, Self-Tapping, securing Armrests		4	
AW.102/T	Washer, Plain, on Self-Tapping Screws		4	
C.723/A	Washer, Shakeproof, on Self-Tapping Screws		4	
BD.8633/2	Spire Nut, on Self-Tapping Screws		4	
BD.26599	PANEL ASSEMBLY, MOUNTING ARMREST ON R.H. FRONT DOOR		1	

BODY FITTINGS

Part No.	Description	Plate No.	No. per Unit	Remarks
BD.26598	PANEL ASSEMBLY, MOUNTING ARMREST ON L.H. FRONT DOOR	83-56	1	
BD.1814/2	Pop Rivet, securing Panel Assemblies to Front Door Panels		8	
BD.25249	R.H. REAR DOOR (COMPLETE WITH ALL FITTINGS)		1	
BD.25248	L.H. REAR DOOR (COMPLETE WITH ALL FITTINGS)		1	
BD.11598	Mutocel, on Rear Doors (16½" x 16")		2	
BD.25242	LOCK ASSEMBLY, IN R.H. REAR DOOR (WB.3/11902)		1	Fitted from Chassis No. 1B.1001 to 1B.8591 } 3-4 litre 1B.25001 to 1B.26224 } 1B.50001 to 1B.59504 } 3-8 litre 1B.75001 to 1B.80283 }
BD.25241	LOCK ASSEMBLY, IN L.H. REAR DOOR (WB.3/11903)	84-1	1	
BD.32430	LOCK ASSEMBLY, IN R.H. REAR DOOR		1	Fitted to Chassis No. 1B.8592 and subs. } 3-4 litre 1B.26225 and subs. } 1B.59505 and subs. } 3-8 litre 1B.80284 and subs. }
BD.32431	LOCK ASSEMBLY, IN L.H. REAR DOOR		1	
BD.32396	CLIP AND BUSH ASSEMBLY (270-EM604-00)		2	
BD.25228	DOVETAIL PLATE, ON R.H. REAR DOOR SHUT FACE (WB.3/11611)		1	
BD.25227	DOVETAIL PLATE, ON L.H. REAR DOOR SHUT FACE (WB.3/11612)	84-2	1	
BD.16940/2	Screw, Set (Countersunk Head) securing Dovetail Plates to Shut Faces		6	
BD.34838	STRIKER ASSEMBLY, FOR R.H. REAR DOOR LOCK (WB.3/13667)		1	

BODY FITTINGS

Part No.	Description	Plate No.	No. per Unit	Remarks
BD.34839	STRIKER ASSEMBLY, FOR L.H. REAR DOOR LOCK (WB.3/13668)	84-3	1	
BD.26803	Shim, behind Striker (.080" thick)		As req'd	
BD.26804	Shim, behind Striker (.048" thick)		As req'd	
BD.21509/7	Screw, Set, securing Striker Assemblies to 'D' Posts		6	
BD.10728	INSIDE HANDLE, FOR REAR DOOR (WB.1/3859)	84-4	2	
BD.24952/2	Rubber Thrust Pad, packing Door Handles		4	
BD.25239	OUTSIDE HANDLE, FOR R.H. REAR DOOR (WB.1/11790)		1	
8190	Push Button (1/8027)		1	
11240	Return Spring, for Push Button (RS.41/432)		1	
8192	Circlip, retaining Push Button (RS.84/3)		1	
11241	Washer, under Circlip (RS.14/380)		1	
UFS.119/7R	Screw, Set, securing Base Plate to Handle		2	
C.723/A	Washer, Shakeproof, on Setscrews		2	
BD.25238	OUTSIDE HANDLE, FOR L.H. REAR DOOR (WB.1/11789)	84-5	1	
	Individual items are as for Handle BD.25239			
BD.18126	Seating Washer, at rear end of Outside Rear Door Handles	84-6	2	
UFN.119/L	Nut, securing Outside Door Handles		4	
C.723/A	Washer, Shakeproof, under Nuts		4	
BD.25240	DROP LINK, CONNECTING OUTSIDE REAR DOOR HANDLES TO LOCKS (WB.1/11778)	84-7	2	
BD.25224	Washer (Starlock) retaining Links		2	
BD.23473	Clip, retaining Links (1/11517)	84-8	2	
AW.102/T	Washer, Plain, under Clip		2	
BD.25244	REMOTE CONTROL AND LINK ASSEMBLY, FOR OPERATION OF R.H. REAR DOOR LOCK (WB.3/11906)		1	

BODY FITTINGS

Part No.	Description	Plate No.	No. per Unit	Remarks
BD.25243	REMOTE CONTROL AND LINK ASSEMBLY, FOR OPERATION OF L.H. REAR DOOR LOCK (WB.3/11907)	84-9	1	
DJZ.410/6C	Screw, Self-Tapping, securing Remote Controls to Rear Doors		6	
BD.8633/2	Spire Nut, on Self-Tapping Screws		6	
BD.19575	Washer, Wavy, at connection of Link to Lock		2	
BD.23473	Spring Clip, securing Link to Lock (1/11517)		2	
BD.19574	Washer, Special, behind Spring Clips		2	
BD.29609	Grommet, on Door Panel, preventing vibration of Remote Controls		4	
BD.25290	SAFETY CATCH ASSEMBLY, FOR R.H. REAR DOOR (WB.3/17898)		1	
BD.25289	SAFETY CATCH ASSEMBLY, FOR L.H. REAR DOOR (WB.3/17899)	84-10	1	
BD.26773	Bearing Plate, supporting Spindle	84-11	2	
BD.14399/4	Screw, Set, securing Safety Catches and Bearing Plates to Door Frames		4	
C.723/A	Washer, Shakeproof, on Screws		4	
AW.102/T	Washer, Plain, under Shakeproof Washers		4	
BD.24966	Clip, securing Safety Catch Link to Door Locks		2	
BD.4240	BUTTON, OPERATING SAFETY CATCH ON R.H. REAR DOOR		1	
BD.4241	BUTTON, OPERATING SAFETY CATCH ON L.H. REAR DOOR	84-12	1	
BD.4242	Screw (Countersunk Head) securing Buttons		2	
BD.4243	Washer, Shakeproof, on Screws		2	
BD.18298	WINDOW REGULATOR ASSEMBLY, IN R.H. REAR DOOR (271/1112)		1	
BD.18299	WINDOW REGULATOR ASSEMBLY, IN L.H. REAR DOOR (271/1113)	84-13	1	
UFS.425/2.5H	Screw, Set, securing Regulators (UMF.161/P.05)		12	
C.724	Washer, Shakeproof, on Setscrews		12	

BODY FITTINGS

Part No.	Description	Plate No.	No. per Unit	Remarks
BD.10729	HANDLE, OPERATING REAR DOOR WINDOW REGULATOR (WB.1/6671)	84-14	2	
BD.10730	OUTER ESCUTCHEON, FOR REGULATOR HANDLES AND INSIDE DOOR HANDLES (W.128)	84-15	4	
BD.10731	INNER ESCUTCHEON, FOR REGULATOR HANDLES AND INSIDE DOOR HANDLES (W.129)	84-16	4	
BD.10732	SPRING, BEHIND ESCUTCHEONS (41/379)	84-17	4	
BD.10734	Rubber Plug, behind Handles		4	
BD.10733	Peg, securing Handles to Locks and Regulators		4	
BD.24976	FRAME, FOR WINDOW IN R.H. REAR DOOR, COMPLETE WITH NO DRAUGHT VENTILATOR		1	
BD.24975	FRAME, FOR WINDOW IN L.H. REAR DOOR, COMPLETE WITH NO DRAUGHT VENTILATOR		1	
BD.24842	FRAME ONLY, FOR WINDOW IN R.H. REAR DOOR		1	
BD.24841	FRAME ONLY, FOR WINDOW IN L.H. REAR DOOR	84-18	1	
BD.14399/3	Screw, Set, securing Frames to Doors at Waist Rail		8	
C.723/A	Washer, Shakeproof, on Setscrews		8	
AW.102/T	Washer, Plain, under Shakeproof Washers		8	
BD.20091/1	Packing, for adjustment of Frames (.048" thick)		As req'd	
BD.20091/2	Packing, for adjustment of Frames (.128" thick)		As req'd	
UFS.125/7R	Screw, Set, securing bottom of Frames to Doors at front		2	
BD.27756/2	Screw, Set, Special, securing bottom of Frames to Doors at rear		2	
BD.541/20	Washer, Special, on Setscrews		4	
UFN.125/L	Nut, on Setscrews		4	

BODY FITTINGS

Part No.	Description	Plate No.	No. per Unit	Remarks
FRAME ONLY, FOR WINDOW IN L.H. REAR DOOR (Cont'd)				
C.724	Washer, Shakeproof, under Nuts		4	
BD.19691/1	Packing Washer, at bottom of Frames		As req'd	
BD.19691/2	Packing Washer, at bottom of Frames		As req'd	
BD.19691/3	Packing Washer, at bottom of Frames		As req'd	
BD.26836	Sealing Pad (Rubber) at Waist, sealing Frame to Hinge Pillar		2	Fitted to Chassis No. 1B.1002 and subs. } 3.4 litre 1B.25004 and subs. } 1B.50264 and subs. } 3.8 litre 1B.75050 and subs. }
BD.24847	GLASS, FOR WINDOWS IN REAR DOOR	84-19	2	
BD.17061	REGULATOR CHANNEL, FOR R.H. REAR DOOR GLASS		1	
BD.17060	REGULATOR CHANNEL, FOR L.H. REAR DOOR GLASS	84-20	1	
BD.4714	Everseal Strip, in Regulator Channels		2	
BD.5195/2	FELT, IN TOP RAIL OF WINDOW FRAMES (19" LONG)	84-21	2	
BD.21070/4	SEAL, IN FORWARD AND REAR RAILS OF WINDOW FRAMES (27½" LONG)	84-22	4	
BD.16792	SEAL (PRESTIK) BETWEEN NO DRAUGHT VENTILATOR RAIL AND REAR DOOR	84-23	2	
BD.21073/3	SEAL (NEOPRENE) BETWEEN TOP OF FRONT DOORS AND GLASS	84-24	2	
BD.11605/2	DRAUGHT PIPING, AT REAR OF 'B/C' POSTS (42½" LONG)		2	

BODY FITTINGS

Part No.	Description	Plate No.	No. per Unit	Remarks
BD.11605/3	DRAUGHT PIPING, FOR REAR DOORS (70½" LONG)		2	
BD.18265	SEALING RUBBER, FOR R.H. REAR DOOR HINGE PILLAR		1	
BD.10664 BD.1814/2	Retainer, for Seal on R.H. Rear Hinge Pillar Pop Rivet, securing Seal Retainers		1 6	
BD.18266	SEALING RUBBER, FOR L.H. REAR DOOR HINGE PILLAR	84-25	1	
BD.10663 BD.1814/2	Retainer, for Seal on L.H. Rear Hinge Pillar Pop Rivet, securing Seal Retainers		1 6	
BD.18270	SEALING RUBBER, FOR R.H. REAR DOOR SHUT PILLAR		1	
BD.18269	SEALING RUBBER, FOR L.H. REAR DOOR SHUT PILLAR	84-26	1	
BD.17363	FILLER PIECE, ON SHUT FACE PANEL AT WAIST LEVEL, ON R.H. REAR DOOR		1	
BD.17362	FILLER PIECE, ON SHUT FACE PANEL AT WAIST LEVEL, ON L.H. REAR DOOR	84-27	1	
BD.17364 DA.604/12C	Plywood Packing, under Filler Pieces Screw, Self-Tapping, securing Filler Pieces		2 4	
BD.18272	SEALING RUBBER, FOR REAR DOOR SILLS (24" LONG)	84-28	2	FOR CARS WITH FOUR DRAIN HOLES IN BOTTOM OF DOORS
BD.28006	SEALING RUBBER, FOR REAR DOOR SILLS (24" LONG)		2	REQUIRED FOR CARS WITH TWO DRAIN SLOTS IN BOTTOM OF DOORS
BD.18273/1	SEALING RUBBER, FOR REAR DOOR WHEEL ARCHES (18" LONG)	84-29	2	

BODY FITTINGS

Part No.	Description	Plate No.	No. per Unit	Remarks
BD.17133	NO DRAUGHT VENTILATOR, COMPLETE, FOR R.H. REAR DOOR		1	
BD.17089	Glass only, for No Draught Ventilator		1	
BD.1300	Everseal, between Glass and Frame (32" long)		1	
BD.17380/5	Everseal, between Glass and Frame (13" long)		1	
BD.17132	NO DRAUGHT VENTILATOR, COMPLETE, FOR L.H. REAR DOOR	84-30	1	
	Individual items are as for BD.17133			
BD.4899/1	Screw, Set, securing No Draught Ventilators to Door Light Frames		10	
BD.17054	HINGE PLATE, FOR NO DRAUGHT VENTILATORS IN REAR DOORS		2	
BD.17302	ANGLE BRACKET, ON R.H. REAR DOOR LIGHT FRAME, FOR CATCH OPERATING NO DRAUGHT VENTILATOR		1	
BD.17301	ANGLE BRACKET, ON L.H. REAR DOOR LIGHT FRAME, FOR CATCH OPERATING NO DRAUGHT VENTILATOR	84-31	1	
UCS.316/4H	Screw, Set, securing Angle Brackets to Frame		4	
C.722	Washer, Shakeproof, on Setscrews		4	
AW.102/T	Washer, Plain, under Shakeproof Washers		4	
BD.20086	CATCH, OPERATING NO DRAUGHT VENTILATOR ON L.H. REAR DOOR	84-32	1	
7758	Operating Arm		1	
10447	Shouldered Bolt, securing Catch Lever and Operating Arm to Catch Body (61/682/312/8)		1	
10449	Washer, Spring (Double Coil) on Shouldered Bolt (61/682/312/11)		1	
10448	Washer, Plain, under Spring Washer (61/682/312/12)		1	
841	Shouldered Bolt, securing Operating Arm on Catch to Bracket on No Draught Ventilator Frame (BSK.318)	84-33	1	
C.3563/1	Nut, on Shouldered Bolt	84-34	1	

BODY FITTINGS

Part No.	Description	Plate No.	No. per Unit	Remarks
BD.20087	CATCH, OPERATING NO DRAUGHT VENTILATOR ON R.H. REAR DOOR		1	
7759	Operating Arm		1	
	All other items are as for BD.20086			
BD.17306	Base, for Catch on R.H. Rear Door		1	
BD.17305	Base, for Catch on L.H. Rear Door	84-35	1	
BD.5454/3	Screw, Set, securing Catch and Base to Angle Brackets		4	
C.3563	Washer (Fibre) between Catch Operating Arm and head of Shouldered Bolts	84-36	2	
C.3563	Washer (Fibre) between Catch Operating Arm and Bracket on Ventilator Frames	84-36	2	
BD.17073	SEALING RUBBER, FOR R.H. REAR NO DRAUGHT VENTILATOR		1	
BD.17072	SEALING RUBBER, FOR L.H. REAR NO DRAUGHT VENTILATOR	84-37	1	
BD.26670	CASING ASSEMBLY, FOR L.H. REAR DOOR (COMPLETE WITH ARMREST AND DOOR POCKET ASSEMBLY)		1	
BD.26142	Casing only (Less Armrest and Door Pocket Assembly)	84-38	1	
BD.18068	Clip, securing Casing to Rear Door		17	
BD.26147	Armrest and Door Pocket Assembly (Trimmed)	84-39	1	
DAZ.408/12C	Screw, Self-Tapping, securing Armrest and Door Pocket Assembly to Casing		1	
BD.541/13	Washer, Plain, on Self-Tapping Screw		3	
M.106/6R	Woodscrew, securing Armrest and Door Pocket Assembly to Casing		7	
DAZ.408/8C	Screw, Self-Tapping, securing Armrest and Door Pocket Assembly to Casing		5	
BD.26671	CASING ASSEMBLY, FOR R.H. REAR DOOR (COMPLETE WITH ARMREST AND DOOR POCKET ASSEMBLY)		1	
BD.26143	Casing only (Less Armrest and Door Pocket Assembly)		1	
BD.26148	Armrest and Door Pocket Assembly (Trimmed)		1	
	All other items are as for BD.26670			
DA.504/8C	Screw, Self-Tapping, securing Casings to top of Rear Doors		8	
BD.26147	ARMREST AND DOOR POCKET ASSEMBLY (TRIMMED) ON L.H. REAR DOOR CASING	84-39	1	
BD.17641	Ash Tray, in Armrest (7/4008)	84-40	1	
DA.506/12C	Screw, Self-Tapping, securing Ash Tray		2	

BODY FITTINGS

Part No.	Description	Plate No.	No. per Unit	Remarks
BD.26148	ARMREST AND DOOR POCKET ASSEMBLY (TRIMMED) ON R.H. REAR DOOR CASING		1	
BD.17641	Ash Tray, in Armrest (7/4008)		1	
DA.506/12C	Screw, Self-Tapping, securing Ash Tray		2	

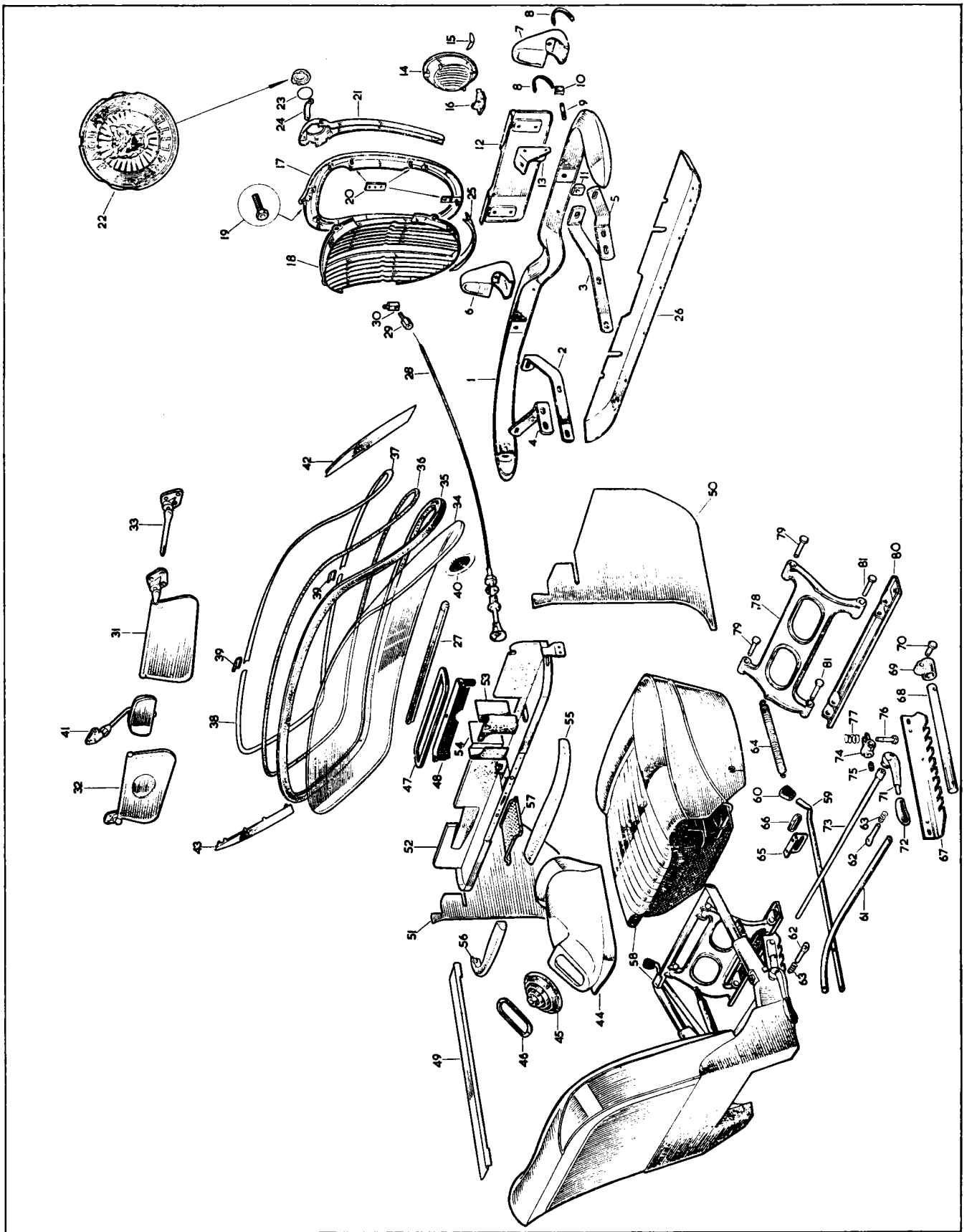


PLATE 78

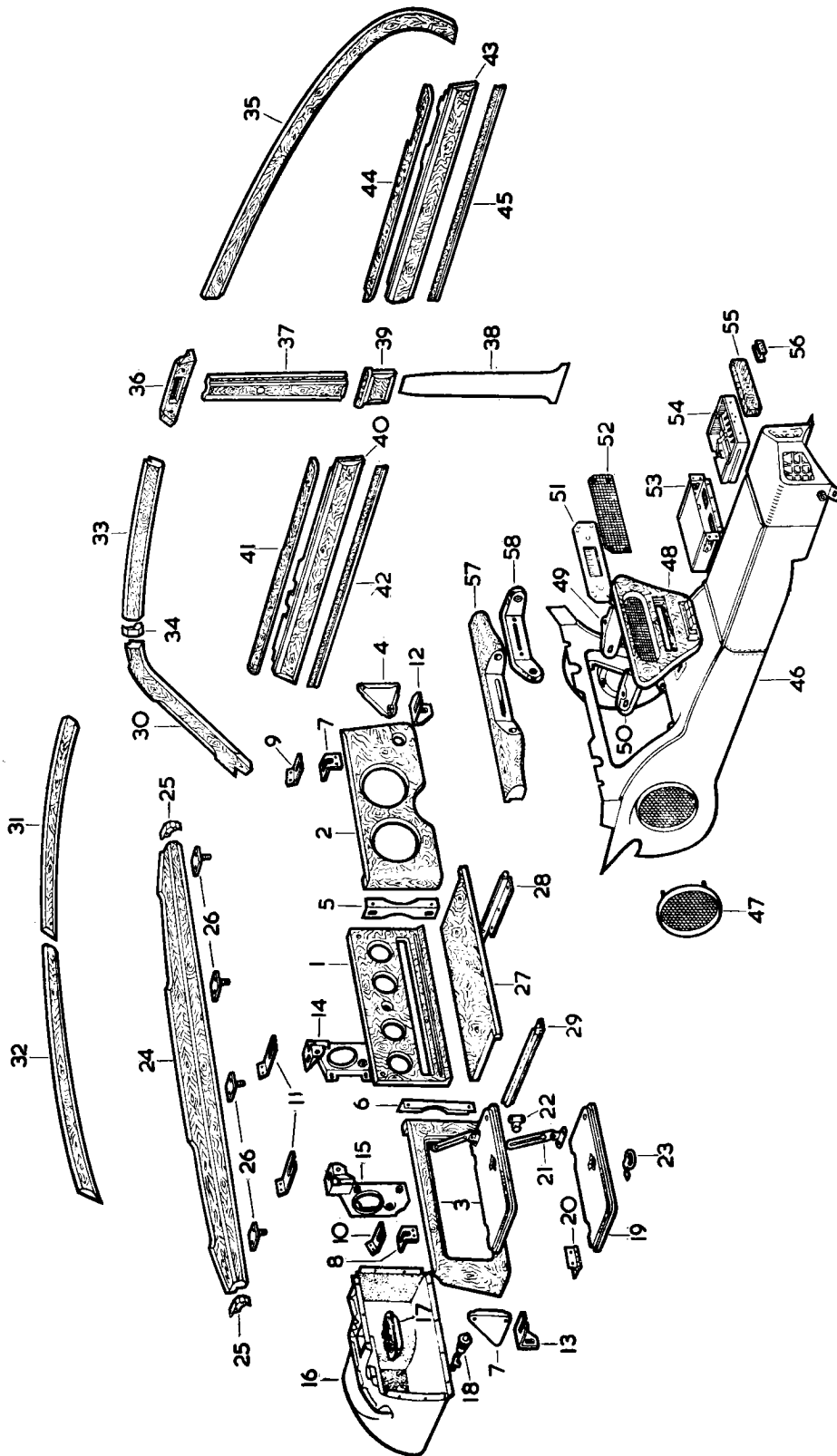
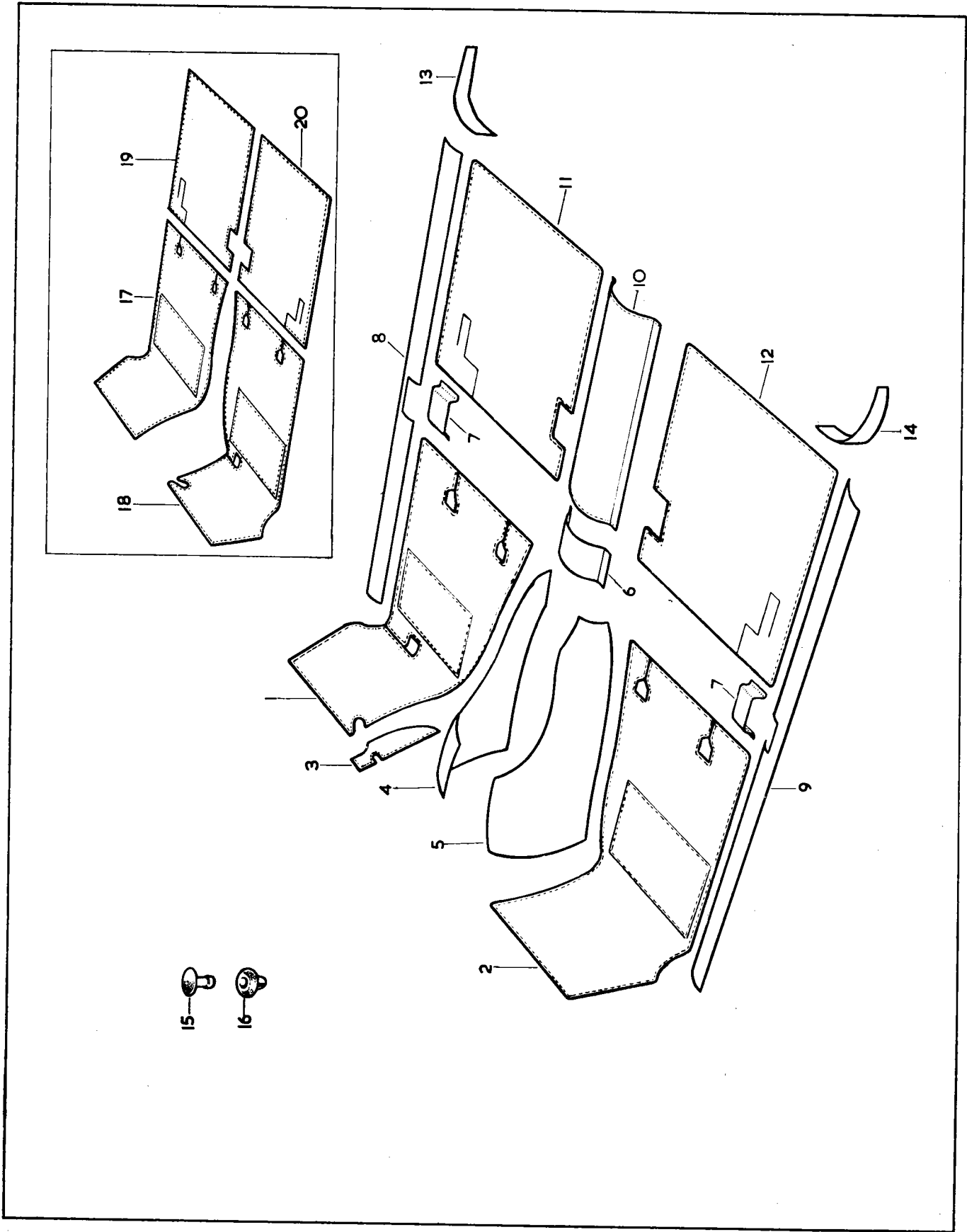


PLATE 79



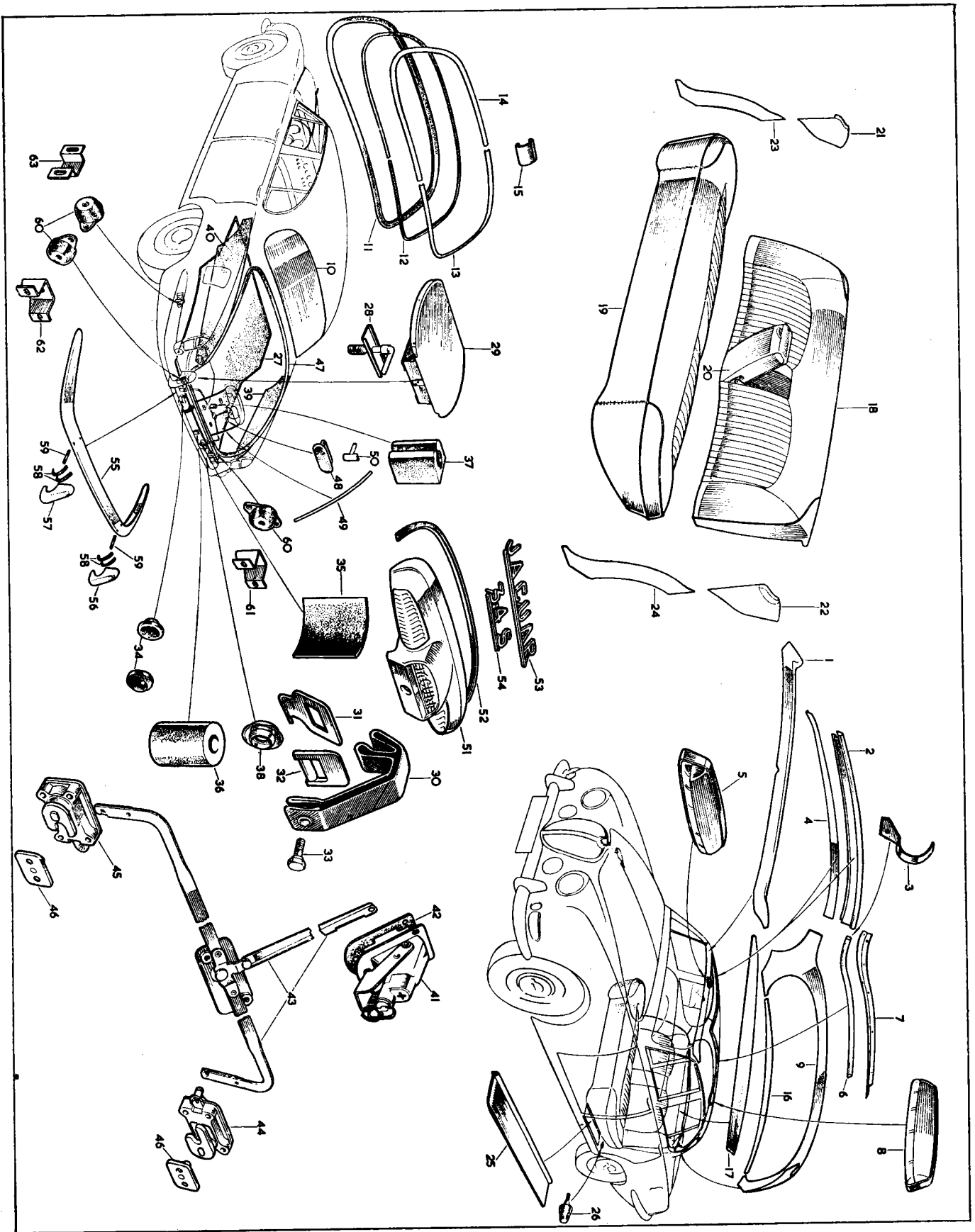


PLATE 81

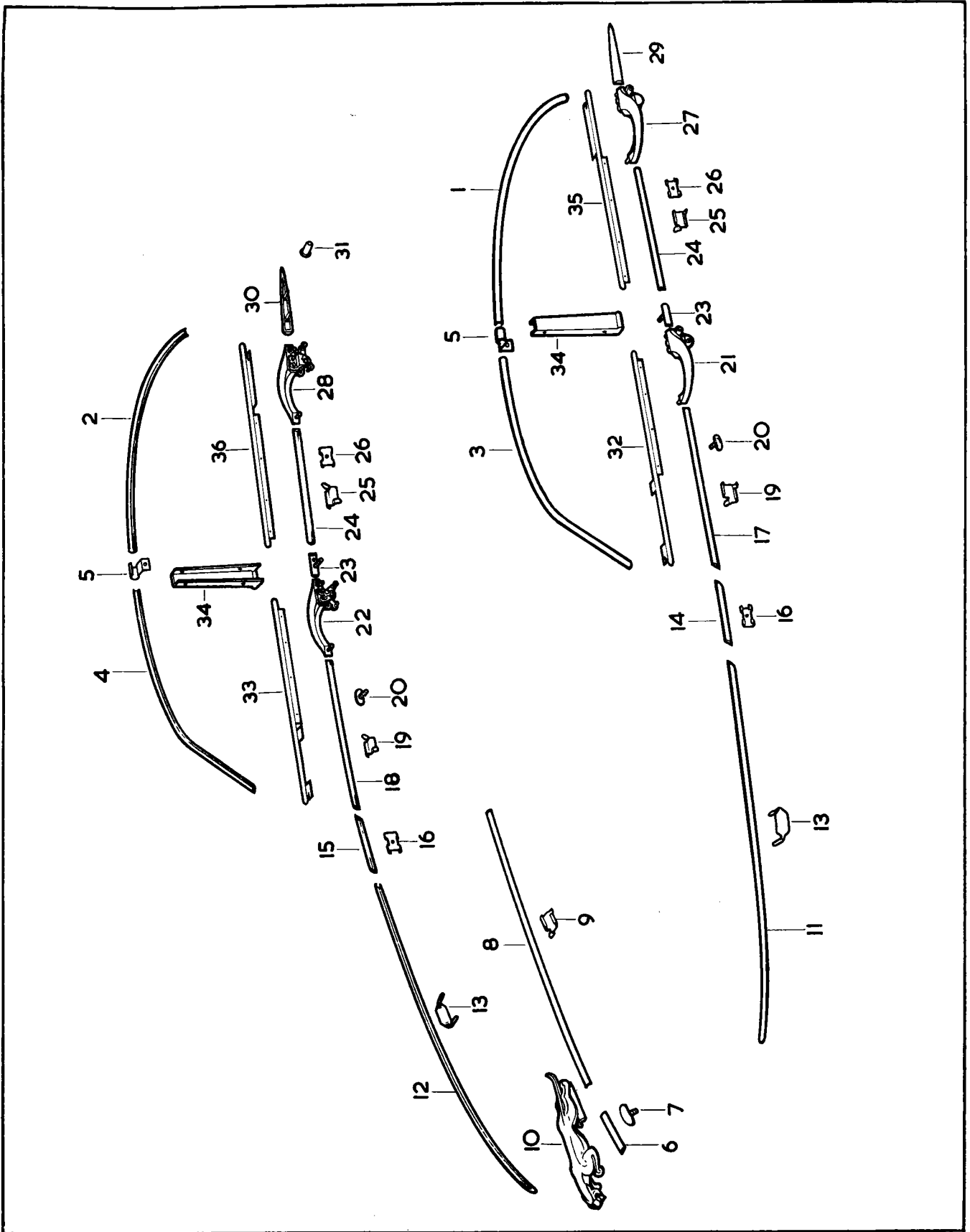


PLATE 82

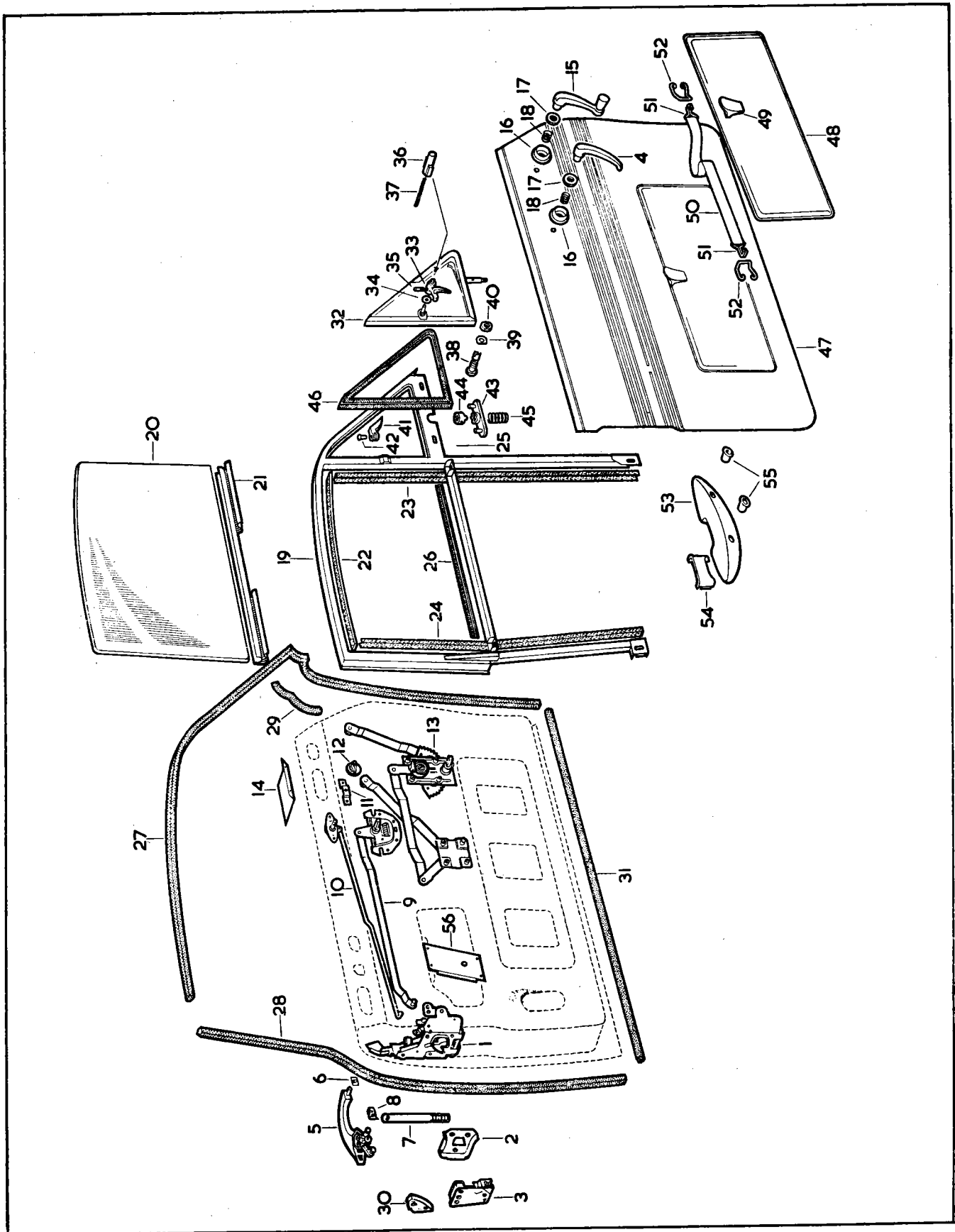


PLATE 83

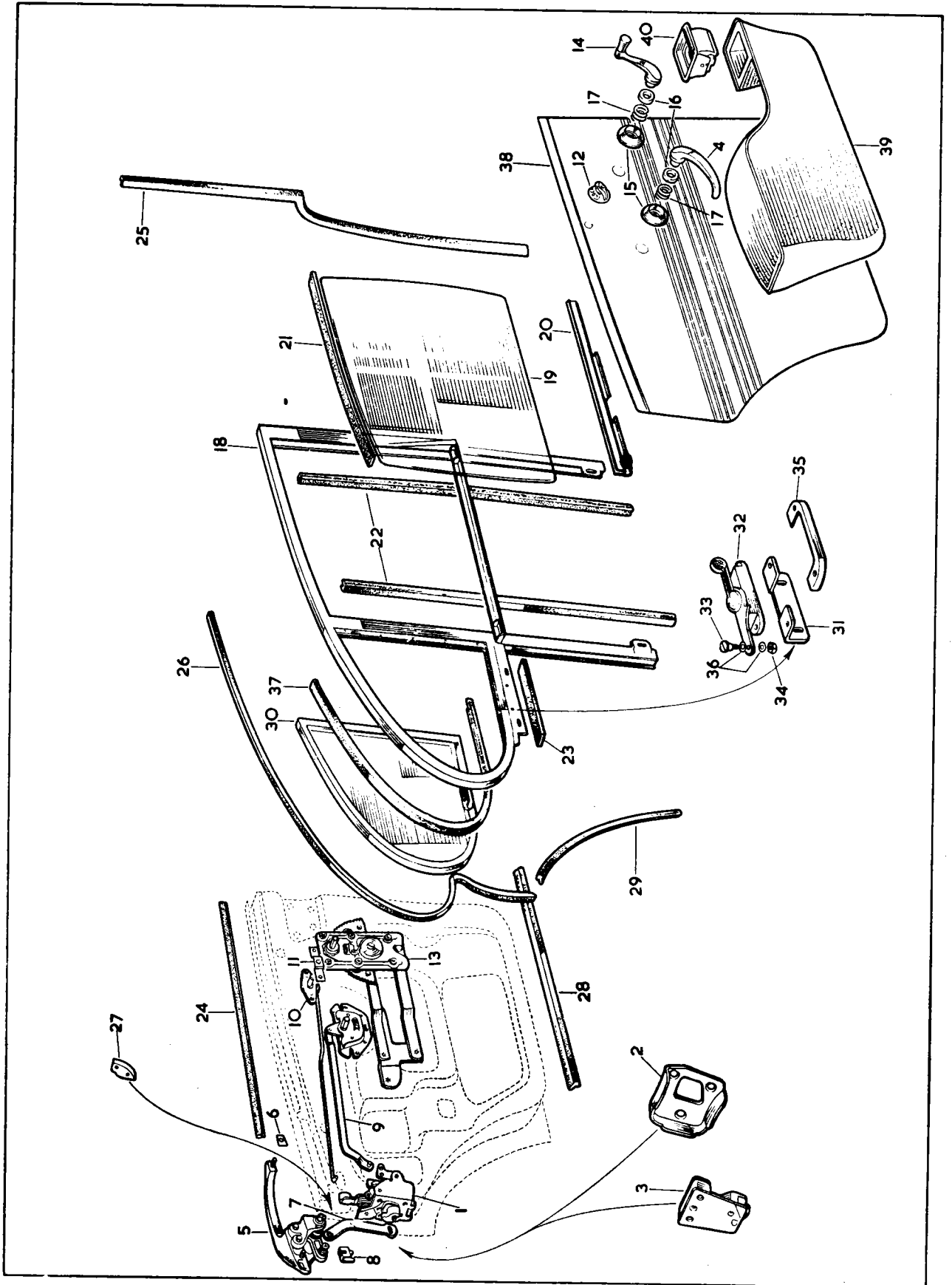


PLATE 84

BODY FITTINGS

AUTOMATIC TRANSMISSION

Part No.	Description	Plate No.	No. per Unit	Remarks
BD.28928	GEARBOX COVER		1	
C.5647	RUBBER PLUG, SEALING TRANSMISSION CABLE ACCESS HOLE		1	
BD.10821	RUBBER PLUG, SEALING HOLE IN TRANSMISSION COVER		1	
CARPETS, FOR R.H. DRIVE CARS (1201)				
BD.26419	Carpet, for R.H. Front Floor		1	Fitted from Chassis No. 1B.1001 to 1B.8433 3-4 litre 1B.50001 to 1B.59478 3-8 litre
BD.31266	Carpet, for R.H. Front Floor		1	
BD.26418	Carpet, for L.H. Front Floor		1	Fitted from Chassis No. 1B.1001 to 1B.8670 3-4 litre 1B.59479 to 1B.59541 3-8 litre
BD.18655	Carpet, for Dipper Pad (17" x 6½")		1	
BD.27980	Carpet, for R.H. side of Gearbox (38" x 19½")		1	
BD.27644	Carpet, for L.H. side of Gearbox (33" x 17")		1	
BD.18670	Carpet, for centre of Cross Member under Front Seats (14" x 7½")		1	
BD.18669	Carpet, for sides of Cross Member under Front Seats (11½" x 7")		2	
BD.18668	Carpet, for R.H. Door Sill (61" x 6½")		1	
BD.18667	Carpet, for L.H. Door Sill (61" x 6½")		1	
BD.18666	Carpet, for Propeller Shaft Tunnel (26" x 15")		1	
BD.26424	Carpet, for R.H. Rear Floor		1	
BD.26423	Carpet, for L.H. Rear Floor		1	
BD.18672	Carpet, for R.H. Rear Seat Valance (18½" x 12½")		1	
BD.18671	Carpet, for L.H. Rear Seat Valance (18½" x 12½")		1	
CARPETS, FOR R.H. DRIVE CARS				
BD.33230	Carpet, for R.H. Front Floor		1	FOR CARS EQUIPPED WITH AUTOMATIC TRANSMISSION Fitted from Chassis No. 1B.8671 to 1B.9459 3-4 litre 1B.59542 to 1B.59699 3-8 litre
BD.33231	Carpet, for L.H. Front Floor		1	
BD.33236	Carpet, for Dipper Pad (17" x 6½")		1	
BD.33232	Carpet, for R.H. side of Gearbox (35½" x 21½")		1	
BD.33233	Carpet, for L.H. side of Gearbox (35½" x 18½")		1	
BD.33238	Carpet, for centre of Cross Member, under Front Seats (7½" x 14")		1	
BD.33237	Carpet, for sides of Cross Member, under Front Seats (7" x 11½")		2	
BD.33240	Carpet, for R.H. Door Sill (6½" x 61")		1	
BD.33241	Carpet, for L.H. Door Sill (6½" x 61")		1	
BD.33239	Carpet, for Propeller Shaft Tunnel (26" x 15")		1	
BD.33234	Carpet, for R.H. Rear Floor (25½" x 24")		1	
BD.33235	Carpet, for L.H. Rear Floor (25½" x 24")		1	
BD.33242	Carpet, for R.H. Rear Seat Valance (18½" x 12½")		1	
BD.33243	Carpet, for L.H. Rear Seat Valance (18½" x 12½")		1	
BD.28927	Stud, securing Carpets (78/797)		20	
BD.22665	Socket, receiving Studs (78/404)		20	

BODY FITTINGS

AUTOMATIC TRANSMISSION

Part No.	Description	Plate No.	No. per Unit	Remarks	
CARPETS, FOR R.H. DRIVE CARS					
BD.34896	Carpet, for R.H. Front Floor		1	} FOR CARS EQUIPPED WITH AUTOMATIC TRANSMISSION Fitted to Chassis No. 1B.9460 and subs. 3-4 litre 1B.59700 and subs. 3-8 litre	
BD.34897	Carpet, for L.H. Front Floor		1		
BD.34903	Carpet, for R.H. side of Gearbox		1		
BD.34899	Carpet, for L.H. side of Gearbox		1		
BD.34877	Carpet, for centre of Cross Member, under Front Seats (14" x 7½")		1		
BD.34900	Carpet, for R.H. side of Cross Member, under Front Seats		1		
BD.34901	Carpet, for L.H. side of Cross Member, under Front Seats		1		
BD.34879	Carpet, for R.H. Door Sill (61" x 6½")		1		
BD.34880	Carpet, for L.H. Door Sill (61" x 6½")		1		
BD.34878	Carpet, for Propeller Shaft Tunnel (26" x 15")		1		
BD.34887	Carpet, for R.H. Rear Floor		1		
BD.34888	Carpet, for L.H. Rear Floor		1		
BD.34881	Carpet, for R.H. Rear Seat Valance (18½" x 12½")		1		
BD.34882	Carpet, for L.H. Rear Seat Valance (18½" x 12½")		1		
BD.28297	Stud, securing Carpets (78/797)		20		
BD.22665	Socket, receiving Studs (78/404)		20		
CARPETS, FOR L.H. DRIVE CARS (1201)					
BD.26416	Carpet, for L.H. Front Floor		1		} Fitted from Chassis No. 1B.25001 to 1B.26213 3-4 litre 1B.75001 to 1B.80272 3-8 litre
BD.31265	Carpet, for L.H. Front Floor		1		
BD.26417	Carpet, for R.H. Front Floor		1		} Fitted from Chassis No. 1B.25001 to 1B.26239 3-4 litre 1B.75001 to 1B.80295 3-8 litre
BD.27980	Carpet, for R.H. side of Gearbox (38" x 19½")		1		
BD.27644	Carpet, for L.H. side of Gearbox (33" x 17")		1		
BD.18670	Carpet, for centre of Cross Member under Front Seats (14" x 7½")		1		
BD.18669	Carpet, for sides of Cross Member under Front Seats (11½" x 7")		2		
BD.18668	Carpet, for R.H. Door Sill (61" x 6½")		1		
BD.18667	Carpet, for L.H. Door Sill (61" x 6½")		1		
BD.18666	Carpet, for Propeller Shaft Tunnel (26" x 15")		1		
BD.26422	Carpet, for R.H. Rear Floor		1		
BD.26421	Carpet, for L.H. Rear Floor		1		
BD.18672	Carpet, for R.H. Rear Seat Valance (18½" x 12½")		1		
BD.18671	Carpet, for L.H. Rear Seat Valance (18½" x 12½")		1		
BD.22666	Stud, securing Carpets (78/405)		20		
BD.22665	Socket, receiving Studs (78/404)		20		
CARPETS, FOR L.H. DRIVE CARS					
BD.33228	Carpet, for R.H. Front Floor		1	} FOR CARS EQUIPPED WITH AUTOMATIC TRANSMISSION Fitted from Chassis No. 1B.26240 to 1B.26350 3-4 litre 1B.80296 to 1B.80404 3-8 litre	
BD.33229	Carpet, for L.H. Front Floor		1		
BD.33232	Carpet, for R.H. side of Gearbox (35½" x 21½")		1		
BD.33233	Carpet, for L.H. side of Gearbox (35½" x 21½")		1		
BD.33238	Carpet, for centre of Cross Member under Front Seats (7½" x 14")		1		
BD.33237	Carpet, for sides of Cross Member under Front Seats (7" x 11½")		2		
BD.33240	Carpet, for R.H. Door Sill (6½" x 61")		1		
BD.33241	Carpet, for L.H. Door Sill (6½" x 61")		1		
BD.33239	Carpet, for Propeller Shaft Tunnel (26" x 15")		1		
BD.33234	Carpet, for R.H. Rear Floor (25½" x 24")		1		

BODY FITTINGS

AUTOMATIC TRANSMISSION

Part No.	Description	Plate No.	No. per Unit	Remarks
CARPETS, FOR L.H. DRIVE CARS (Cont'd)				
BD.33235	Carpet, for L.H. Rear Floor (25½" x 24")		1	} FOR CARS EQUIPPED WITH AUTOMATIC TRANSMISSION Fitted from Chassis No. 1B.26240 to 1B.26350 3-4 litre 1B.80296 to 1B.80404 3-8 litre
BD.33242	Carpet, for R.H. Rear Seat Valance (18½" x 12½")		1	
BD.33243	Carpet, for L.H. Rear Seat Valance (18½" x 12½")		1	
BD.28927	Stud, securing Carpets (78/797)		20	
BD.22665	Socket, receiving Studs (78/404)		20	

CARPETS, FOR L.H. DRIVE CARS

BD.34894	Carpet, for R.H. Front Floor		1	} FOR CARS EQUIPPED WITH AUTOMATIC TRANSMISSION Fitted to Chassis No. 1B.26351 and subs. 3-4 litre 1B.80405 and subs. 3-8 litre
BD.34395	Carpet, for L.H. Front Floor		1	
BD.34898	Carpet, for R.H. side of Gearbox		1	
BD.34899	Carpet, for L.H. side of Gearbox		1	
BD.34877	Carpet, for centre of Cross Member, under Front Seats (14" x 7½")		1	
BD.34900	Carpet, for R.H. side of Cross Member, under Front Seats		1	
BD.34901	Carpet, for L.H. side of Cross Member, under Front Seats		1	
BD.34879	Carpet, for R.H. Door Sill (61" x 6½")		1	
BD.34880	Carpet, for L.H. Door Sill (61" x 6½")		1	
BD.34878	Carpet, for Propeller Shaft Tunnel (26" x 15")		1	
BD.34870	Carpet, for R.H. Rear Floor		1	
BD.34871	Carpet, for L.H. Rear Floor		1	
BD.34481	Carpet, for R.H. Rear Seat Valance (18½" x 12½")		1	
BD.34482	Carpet, for L.H. Rear Seat Valance (18½" x 12½")		1	
BD.28297	Stud, securing Carpets (78/797)		20	
BD.22665	Socket, receiving Studs (78/404)		20	

FELT, UNDER CARPETS

BD.26679	Felt, under R.H. Front Floor Carpet		1	} Fitted from Chassis No. 1B.1001 to 1B.8444 } 3-4 litre 1B.25001 to 1B.26240 } 1B.50001 to 1B.59528 } 3-8 litre 1B.75001 to 1B.80287 }
BD.26680	Felt, under L.H. Front Floor Carpet		1	

INSULATING FELTS

BD.26398	Hardura Felt, for front of Gearbox		1	}
BD.26399	Hardura Felt, for rear of Gearbox		1	
BD.26408	Rubberised Felt, for front of Gearbox		1	}
BD.26409	Rubberised Felt, for rear of Gearbox		1	

FELT, UNDER CARPETS

BD.30567	Felt, under R.H. Front Floor Carpet		1	} Fitted to Chassis No. 1B.8445 and subs. } 3-4 litre 1B.26241 and subs. } 1B.59529 and subs. } 3-8 litre 1B.80288 and subs. }
BD.30568	Felt, under L.H. Front Floor Carpet		1	

INSULATING FELTS

BD.30569	Hardura Felt, for Gearbox		1	}
BD.30571	Rubberised Felt, for Gearbox		1	

BODY FITTINGS

AUTOMATIC TRANSMISSION

Part No.	Description	Plate No.	No. per Unit	Remarks
BD.14544	R.H. COVER ASSEMBLY, AT REAR OF TRANSMISSION UNIT		1	
BD.13327	L.H. COVER ASSEMBLY, AT REAR OF TRANSMISSION UNIT		1	
DAJ.208/8C	Screw, Self-Tapping, securing Covers to Floor and Tunnel		25	

TOOL KIT

Part No.	Description	Plate No.	No. per Unit	Remarks
BD.29876	TOOL CONTAINER	92-1	1	
C.23296	Adjustable Spanner	92-2	1	
UN.12Y	Sparking Plug	92-3	1	
C.5587	Feeler Gauge	92-4	1	
C.5444	Screwdriver, for adjustment of Contact Breaker Points	92-5	1	
C.993	Extractor, for Tyre Valve	92-6	1	
C.4638	Open-Ended Spanner, 1/32" x 3/8" A.F.	92-7	1	
C.4596	Open-Ended Spanner, 7/16" x 1/2" A.F.	92-8	1	
C.4595	Open-Ended Spanner, 9/16" x 5/8" A.F.	92-9	1	
C.4594	Open-Ended Spanner, 3/4" x 7/8" A.F.	92-10	1	
C.11753	Tyre Pressure Gauge	92-11	1	
C.13269	Grease Gun	92-12	1	
C.10155	Box Spanner, for Sparking Plugs and Cylinder Head Nuts	92-13	1	
C.20482	Screwdriver (conventional and Philips Head)	92-14	1	
C.2896	Tommy Bar	92-15	1	
C.3993	Valve Timing Gauge	92-16	1	
C.10154	Screwdriver, for Battery Terminals	92-17	1	
C.996	Pliers	92-18	1	
C.13620	Bleeder Tube, in Container	92-19	1	
C.26864	Wheel Disc Wrench	92-20	1	
C.27290	MALLET, FOR HUB NUT	92-21	1	FOR CARS FITTED WITH WIRE SPOKE ROAD WHEELS
C.14927	TOOL FOR REMOVAL AND FITTING OF HUB CAPS	92-22	1	FOR CARS EXPORTED TO GERMANY OR SWITZERLAND FITTED WITH WIRE SPOKE ROAD WHEELS
C.29805	JACK	92-23	1	
C.22401	WHEEL BRACE	92-24	1	FOR CARS FITTED WITH DISC ROAD WHEELS

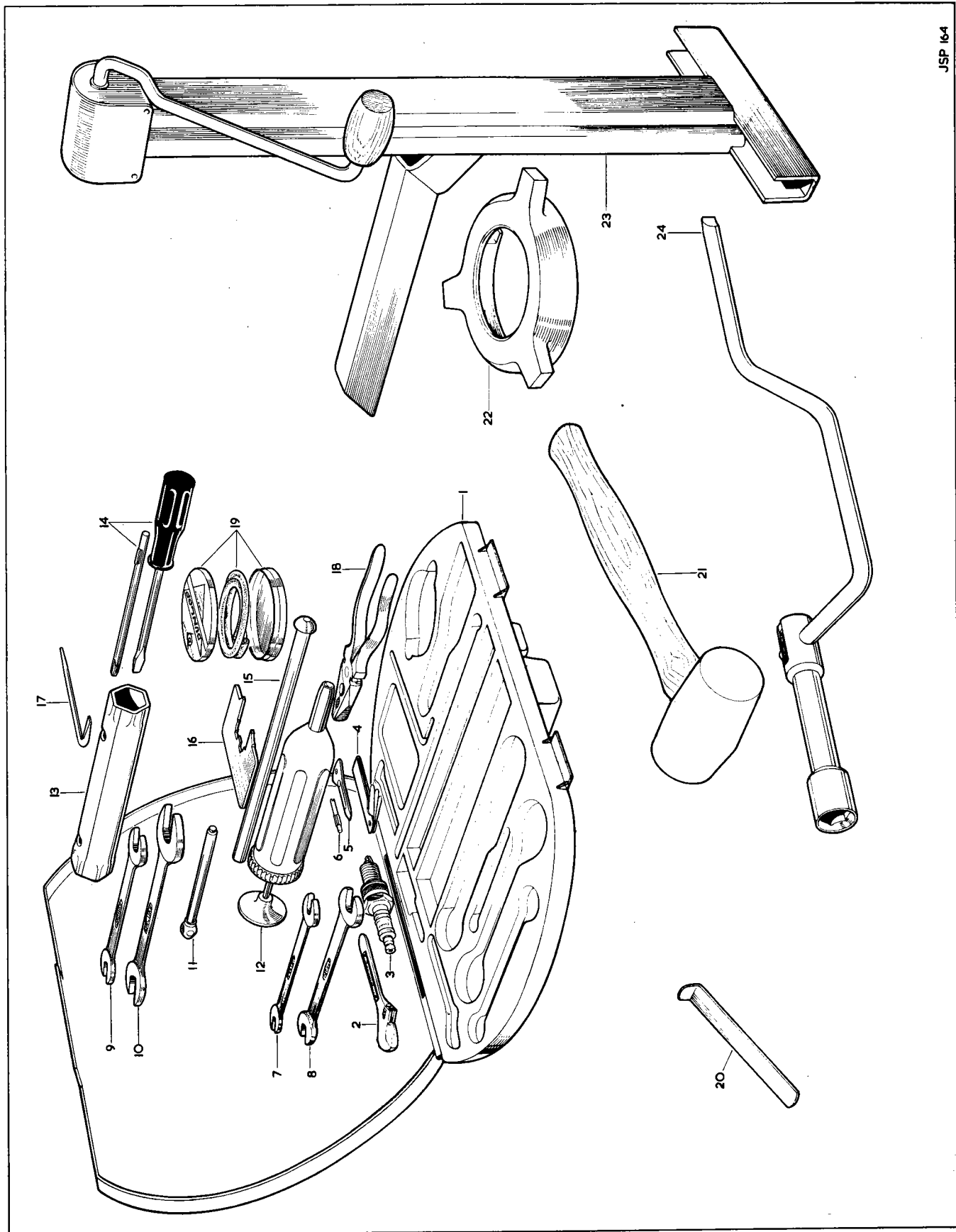


PLATE 92

OPTIONAL EXTRAS

Part No.	Description	Plate No.	No. per Unit	Remarks
C.22772	FOG LAMP (CIBIE 12-85-43)		2	} FOR SWITZERLAND ONLY
10458	Shell (6-11-20)		2	
10459	Light Unit (complete with Rim) (4-13-01)		2	
10460	Screw (Hollow) securing Light Unit to Rim (0-00-03) (supplied complete with Washers)		4	
10461	Screw, securing Light Unit to Hollow Screws (0-00-04)		4	
683	Bulb, 12v. 45w. Amber		2	
C.22854	Bracket, mounting L.H. Fog Lamp		1	
C.22855	Bracket, mounting R.H. Fog Lamp		1	
C.18189	ROAD LAMPS SWITCH (34383/A-PRS.7)		1	
C.15447	Escutcheon, for Road Lamps Switch (54850095)		1	
6021	WING MIRROR NOTE:- WING MIRRORS ARE FITTED AS STANDARD EQUIPMENT ON CARS EXPORTED TO BELGIUM, DENMARK, FRANCE, GERMANY, HOLLAND, LUXEMBOURG, AND SWITZERLAND		2	ONLY ONE MIRROR REQUIRED FOR CARS EXPORTED TO AUSTRIA
C.25198	17" WOOD-RIM STEERING WHEEL		1	} REQUIRED WHEN FITTING C.25198 WOOD RIM STEERING WHEEL
C.18979	Steering Column Horn Ring		1	
10062	Clip, in Horn Ring, fixing Cover		1	
C.18178	Cover, over Horn Contact (complete with Motif) (54300766)		1	
C.27875	STEERING COLUMN LOCK AND IGNITION SWITCH		1	See also Steering Column
C.22850	Connector Cable, for Steering Column Lock (54934748)		1	
C.975	Grommet, for Connector Cable (54190324)		1	
	NOTE:- STEERING COLUMN LOCK IS FITTED AS STANDARD EQUIPMENT ON CARS EXPORTED TO GERMANY, JAPAN, AND SWEDEN			
BD.25283	ELECTRICALLY HEATED BACKLIGHT (CLEAR GLASS)		1	See also Body Fittings

OPTIONAL EXTRAS

Part No.	Description	Plate No.	No. per Unit	Remarks
BD.25284	ELECTRICALLY HEATED BACKLIGHT ('SUNDYM' GLASS)		1	See also Body Fittings
9653	Fuse (15 amp) (188220)		1	
C.22849	Fuse Connector (54934747)		1	
BD.22655	Clip, holding Fuse Connector		1	
BD.711/5	Screw, Self-Tapping, securing Clip		1	
C.5204	Earth Terminal		1	
BD.1229/7	Screw, Self-Tapping, securing Earth Terminal		1	
BD.11524	Grommet, for Backlight Wiring		2	
C.2744	SWITCH CONTROLLING BACKLIGHT HEATING (031216)		1	Fitted to Chassis No. 1B.6438 and subs. } 3-4 litre 1B.25850 and subs. } 1B.57175 and subs. } 3-8 litre 1B.79231 and subs. }
C.26467	Warning Lamp (Amber) for Backlight Heating		1	
C.26472	Switch Connector Cable		1	
C.25883	Escutcheon, for Switch and Warning Lamp		1	
C.26651	Relay, complete with Resistance (33285)		1	
DAZ.408/8C	Screw, Self-Tapping, securing Relay		2	
C.31855	CAR RADIO ASSEMBLY (RK.DA07/1080)		1	LONG/MEDIUM WAVE BANDS
C.31856	Control Unit (1080T)		1	WITH NEGATIVE OR POSITIVE EARTH APPLICATION
8279	Aerial (AW.454/48)		1	
C.29897	Aerial (AW.91)		1	} Alternatives
C.29899	Aerial (Electrically operated) (AW.5)		1	
C.2706	Grommet, for Aerial (RMO.3427)		3	
C.22941	Clip, for Aerial Control Cable (RMO.1495)		1	
12366	Loudspeaker Assembly (10-013)		1	
C.22934	Lead, for Loudspeaker (RMR.2440/12)		1	
10044	Battery Lead (RMR.2227/12)		1	
12361	Condenser (1 mfd) for Dynamo or Alternator (RMO.3861/T11)		1	
12361	Condenser (1 mfd) for Petrol Pump (RMO.3861/T11)		1	
12362	Condenser (1 mfd) for Coil (RMO.3861/T9)		1	
12363	Condenser (.25 mfd) for Oil Gauge Transmitter		1	
12364	Connector, for Condenser (RMO.3745)		1	
12367	Fuse (1.5 Amp)		1	
C.31862	CAR RADIO ASSEMBLY (RK/DA07/1082)		1	MEDIUM WAVE BAND ONLY
C.31863	Control Unit (1082)		1	WITH NEGATIVE OR POSITIVE EARTH APPLICATION
	All other items are as for C.31855			
C.31864	CAR RADIO ASSEMBLY (RK/DA07/930)		1	MEDIUM/SHORT WAVE BANDS
C.31865	Control Unit (930)		1	WITH NEGATIVE OR POSITIVE EARTH APPLICATION
C.31866	Aerial (Rear Mounted) (AW.93)		1	
12365	Condenser (1 mfd) for Time Clock (RMO.3861/T8)		1	
C.12686	Earth Bond (RMO.1669)		1	
C.22940	Extension Lead, for Condenser (RMR.6016/7'')		1	
C.22939	Connector, for Extension Lead (RMO.1883)		1	

OPTIONAL EXTRAS

Part No.	Description	Plate No.	No. per Unit	Remarks
CAR RADIO ASSEMBLY (RK/DA07/930)				
<i>(Cont'd)</i>				
UFS.119/4R	Screw, Set, securing Condenser		1	
UFN.119/L	Nut, on Setscrew		1	
C.723/A	Washer, Shakeproof, under Nut		1	
AW.102/T	Washer, Plain, under Shakeproof Washer		1	
All other items are as for C.31855				
 SAFETY HARNESS				
11773	FRONT SEAT BELT (AUTO-LOK) COMPLETE (LAP/DIAGONAL FITTING)		2	
BD.34815	REAR SEAT BELT (DIAGONAL FITTING) COMPLETE WITH ATTACHMENT BOLTS AND EYE BOLTS		2	