

ELECTRIC WATER PAN

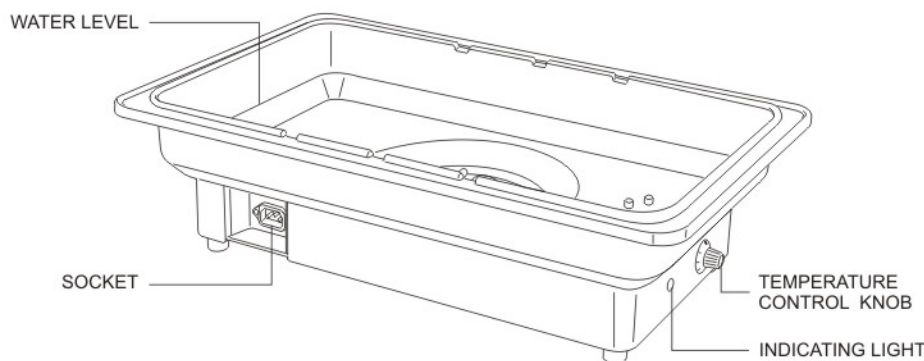
ITEM NO. EWP-1

Specifications		
Capacity	:	Fits One Full-size or Two Half-size 65mm Gastronorm Pans
Voltage	:	100 - 120V a.c. 60Hz
Power Consumption	:	450 WATTS

IMPORTANT SAFEGUARDS

- 1) Read all instructions.
- 2) Do not touch hot surfaces. Use handles or knobs.
- 3) To protect against electrical shock, do not immerse cord, plugs, or the appliance in water or other liquid.
- 4) Close supervision is necessary when any appliance is used by or near children.
- 5) Unplug from outlet when not in use and before cleaning. Allow to cool before putting on or taking off parts.
- 6) Do not operate any appliance with a damaged cord or plug or after the appliance malfunctions or has been damaged in any manner. Return appliance to the nearest authorized service facility for examination, repair, or adjustment.
- 7) The use of accessory attachments not recommended by the appliance manufacturer may cause injuries.
- 8) Do not use outdoors.
- 9) Do not let cord hang over edge of table or counter, or touch hot surfaces.
- 10) Do not place on or near a hot gas or electric burner, or in a heated oven.
- 11) Extreme caution must be used when moving an appliance containing hot oil or other hot liquids.
- 12) Always attach plug to appliance first, then plug cord into the wall outlet. To disconnect, turn any control to "off", then remove plug from wall outlet.
- 13) Do not use appliance for other than intended use.
- 14) The appliance must be earthed.
- 15) Do not operate when the Water Pan is empty. If more than one Electric Chafing Dish is plugged into wall outlet, a qualified electrician should be consulted.
- 16) Save These Instructions.

ELECTRIC WATER PAN, ITEM NO. EWP-1



OPERATION

- 1) **TEMPERATURE CONTROL** - When the water reaches the pre-set temperature the power is automatically cut off. Should the temperature subsequently drop 10°C below the original temperature, the power will automatically be switched back on. When temperature control knob is turned fully clockwise, the temperature is at the maximum setting. At the maximum setting water in the pan will be heated to approximate 85°C (±10°C). At this point some steam will be visible escaping around the edges of the food pan. If a lower temperature is required turn the setting down. The temperature control knob will maintain the temperature at that setting within 10°C tolerance. Overheating of the water is protected by the safety thermostat.
- 2) **INDICATING LIGHTS** - The unit is equipped with an indicating light. When the power is connected to the heating element, the indicating light beside the temperature control knob comes on.
- 3) **WATER LEVEL** - Fill water up to the water line when using in conjunction with gastronorm food pan(s). If cold water is used allow at least 30 minutes before your required time of use. Hot water will give a quicker time of use.

CLEANING AND USER MAINTENANCE

- 1) Spilled food or soup should be removed immediately from all exterior surfaces. The exterior surfaces of the Electric Water Pan should be wiped over with a damp cloth using a mild detergent.
- 2) Any other servicing should be performed by an authorized service representative.
- 3) These appliances are for commercial and household use.
- 4) **CAUTION – RISK OF FIRE AND ELECTRIC SHOCK. REPLACE ONLY WITH MANUFACTURER'S CORD SET, PART NO. P1887.**